

NOTES:
 1. ALL DIMENSIONS IN MM.
 △ PARALLELISM MEASUREMENT SHALL EXCLUDE ANY EFFECT OF MARK ON TOP SURFACE OF PACKAGE.

REVISIONS			
REV	DESCRIPTION	DATE CREATED	AUTHOR
00	INITIAL RELEASE	12/12/16	SRIKANTH
01	MODIFIED LAND PATTERN AND ADD NOM DIMENSION "A"	01/24/17	SRIKANTH
02	ADD OPTION D2	09/07/20	KC

REFER TO DCP FOR OFFICIAL RELEASE DATE

SYMBOL	DIMENSION		
	MIN.	NOM.	MAX.
A	See EPAD OPTION		
A1	See EPAD OPTION		
A2	0.45 REF.		
D	4.0 BSC		
E	4.0 BSC		
b	0.20	0.25	0.30
L	See EPAD OPTION		
e	0.5 BSC		
D2	See EPAD OPTION		
E2	See EPAD OPTION		
aaa	0.10		
bbb	0.10		
ddd	0.08		
eee	---		
fff	---		

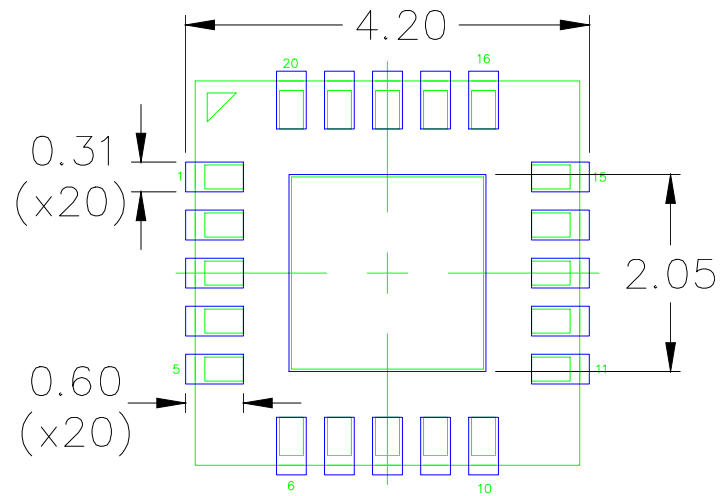
EPAD OPTION

SYMBOL	D1			D2		
	MIN	NOM	MAX	MIN	NOM	MAX
A	0.55	---	0.70	---	---	0.70
A1	---	0.18	---	---	0.13	---
D2	---	2.00	---	2.00	2.10	2.20
E2	---	2.00	---	2.00	2.10	2.20
L	0.35	0.40	0.45	0.40	0.45	0.50

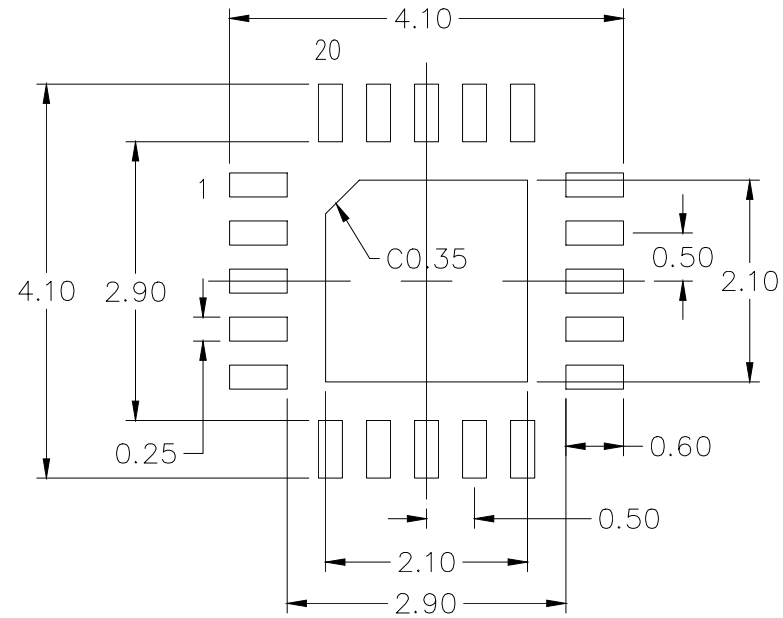
TOLERANCES UNLESS SPECIFIED		6024 Silver Creek Valley Rd San Jose, CA 95138 PHONE: (408) 284-8200 FAX: (408) 284-3572	
DECIMAL	ANGULAR		
XX±	±		
XXX±			
XXXX±			
		TITLE LGG20 PACKAGE OUTLINE 4.0 x 4.0 mm BODY 0.7 mm Thick, 0.5mm PITCH LGA	
SIZE	DRAWING No.	REV	
C	PSC-4683	02	
DO NOT SCALE DRAWING		SHEET 1 OF 2	

REVISIONS			
REV	DESCRIPTION	DATE CREATED	AUTHOR
00	INITIAL RELEASE	12/12/16	SRIKANTH
01	MODIFIED LAND PATTERN AND ADD NOM DIMENSION "A"	01/24/17	SRIKANTH
02	ADD OPTION D2	09/07/20	KC
REFER TO DCP FOR OFFICIAL RELEASE DATE			

OPTION D1:



OPTION D2:



RECOMMENDED LAND PATTERN DIMENSION

NOTES:

1. ALL DIMENSIONS ARE IN MM. ANGLES IN DEGREES.
2. TOP DOWN VIEW. AS VIEWED ON PCB.
3. COMPONENT OUTLINE SHOWS FOR REFERENCE IN GREEN.
4. LAND PATTERN IN BLUE. NSMD PATTERN ASSUMED.
5. LAND PATTERN RECOMMENDATION PER IPC-7351B GENERIC REQUIREMENT

FOR SURFACE MOUNT DESIGN AND LAND PATTERN.

TOLERANCES UNLESS SPECIFIED		6024 Silver Creek Valley Rd San Jose, CA 95138	
DECIMAL	ANGULAR	PHONE: (408) 284-8200	
XX±	±	FAX: (408) 284-3572	
XXX±		TITLE LGG20 PACKAGE OUTLINE	
XXXX±		4.0 x 4.0 mm BODY	
		0.7 mm Thick, 0.5mm PITCH LGA	
SIZE	DRAWING No.	REV	
C	PSC-4683	02	
DO NOT SCALE DRAWING			SHEET 2 OF 2