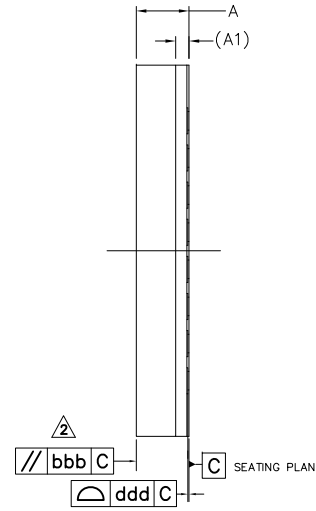
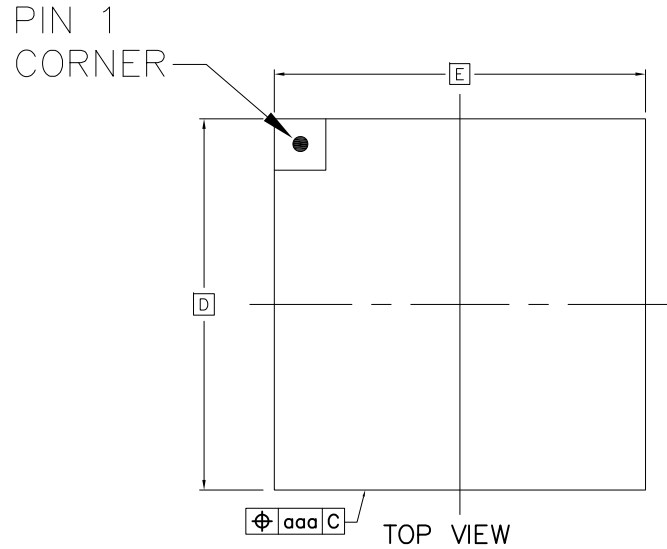
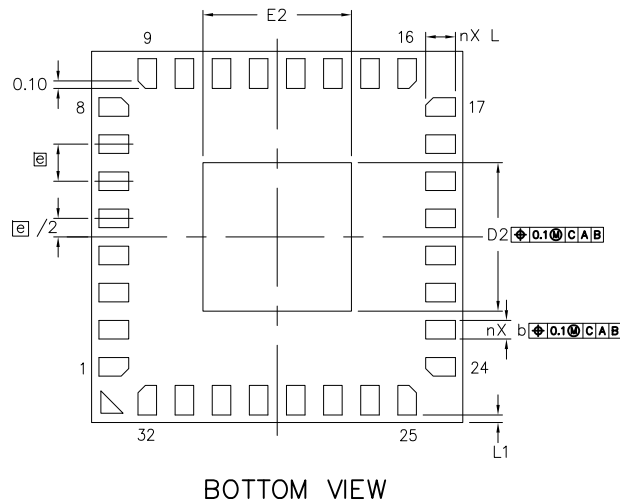


REVISIONS			
REV	DESCRIPTION	DATE CREATED	AUTHOR
01	MODIFIED DIMENSION "A"	2/8/17	SRIKANTH
00	INITIAL RELEASE	1/9/17	SRIKANTH
REFER TO DCP FOR OFFICIAL RELEASE DATE			




SYMBOL	DIMENSION		
	MIN.	NOM.	MAX.
A	0.64	—	0.80
A1	0.18 REF.		
D	5.0 BSC		
E	5.0 BSC		
b	0.20	0.25	0.30
L	0.35	0.40	0.45
L1	0.05	0.10	0.15
e	0.5 BSC		
D2	1.95	2.00	2.05
E2	1.95	2.00	2.05
aaa	0.10		
bbb	0.10		
ddd	0.08		

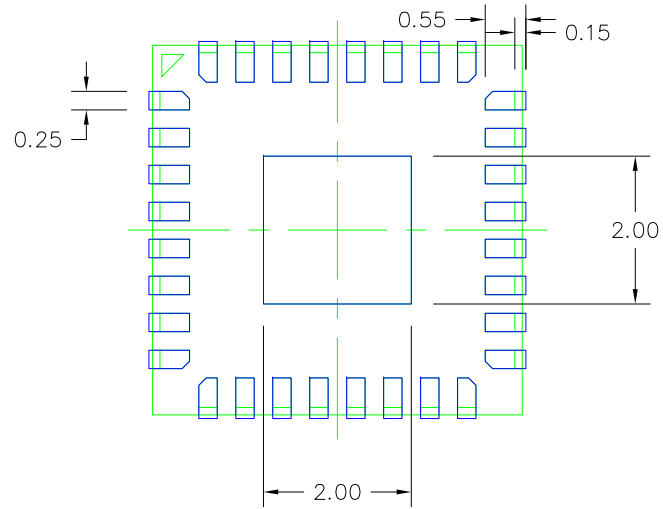


NOTES:

1. ALL DIMENSIONS IN MM.
2. PARALLELISM MEASUREMENT SHALL EXCLUDE ANY EFFECT OF MARK ON TOP SURFACE OF PACKAGE.

TOLERANCES UNLESS SPECIFIED DECIMAL ANGULAR XX± ± XXX± XXXX±	 6024 Silver Creek Valley Rd San Jose, CA 95138 PHONE: (408) 727-6116 FAX: (408) 492-8674	
	www.IDT.com	
TITLE LEG32 PACKAGE OUTLINE 5.0 x 5.0 mm BODY 0.8 mm Thick, 0.5mm PITCH LGA		
SIZE C	DRAWING No. PSC-4684	REV 01
DO NOT SCALE DRAWING		SHEET 1 OF 2


REVISIONS			
REV	DESCRIPTION	DATE CREATED	AUTHOR
01	MODIFIED DIMENSION "A"	2/8/17	SRIKANTH
00	INITIAL RELEASE	1/9/17	SRIKANTH
REFER TO DCP FOR OFFICIAL RELEASE DATE			



RECOMMENDED LAND PATTERN DIMENSION

NOTES:

1. ALL DIMENSIONS ARE IN MM. ANGLES IN DEGREES.
2. TOP DOWN VIEW. AS VIEWED ON PCB.
3. COMPONENT OUTLINE SHOWS FOR REFERENCE IN GREEN.
4. LAND PATTERN IN BLUE. NSMD PATTERN ASSUMED.
5. LAND PATTERN RECOMMENDATION PER IPC-7351B GENERIC REQUIREMENT FOR SURFACE MOUNT DESIGN AND LAND PATTERN.

TOLERANCES UNLESS SPECIFIED		 IDT™ 6024 Silver Creek Valley Rd San Jose, CA 95138 PHONE: (408) 727-6116 FAX: (408) 492-8674 www.IDT.com
DECIMAL	ANGULAR	
XX±	±	
XXX±		
XXXX±		
TITLE		LEG32 PACKAGE OUTLINE 5.0 x 5.0 mm BODY 0.8 mm Thick, 0.5mm PITCH LGA
SIZE	DRAWING No.	REV
C	PSC-4684	01
DO NOT SCALE DRAWING		SHEET 2 OF 2