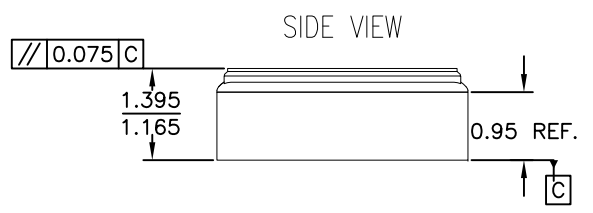
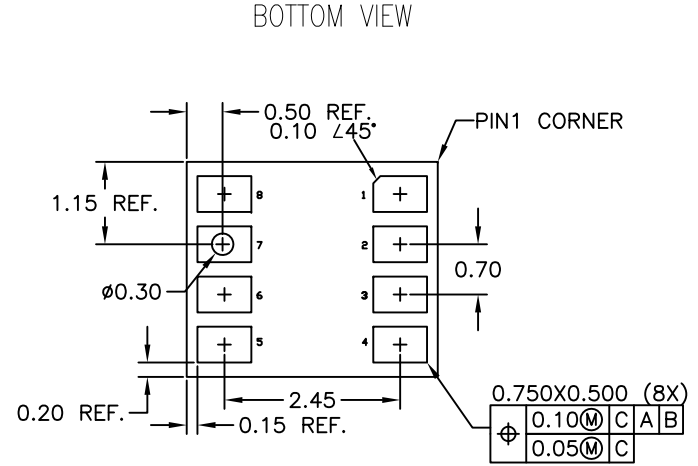
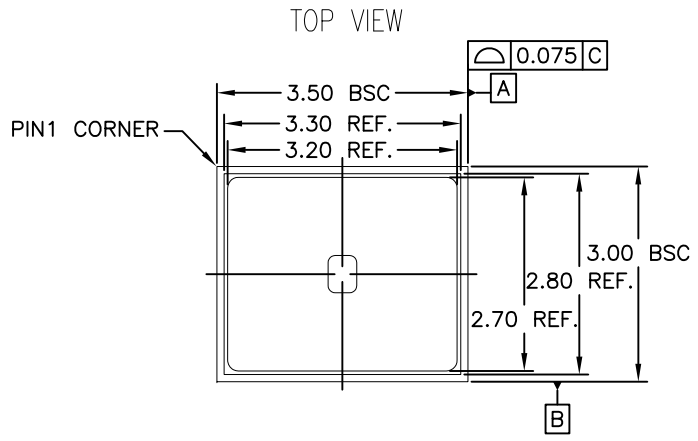



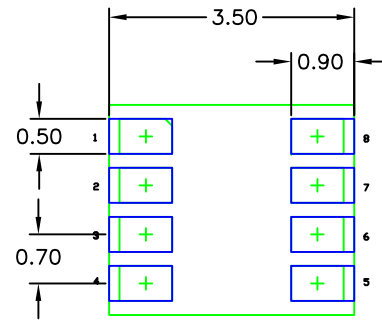
DATE		REVISIONS		
CREATED	REV	DESCRIPTION	AUTHOR	
3/29/17	00	INITIAL RELEASE	JH	
NOTE: REFER TO DCP FOR OFFICIAL RELEASE DATE				



NOTES:
 1. ALL DIMENSIONS ARE IN mm. ANGLES IN DEGREES.

TOLERANCES UNLESS SPECIFIED DECIMAL ANGULAR X± XX± XXX±	 6024 SILVER CREEK VALLEY ROAD, SAN JOSE, CA 95138 PHONE: (408) 284-8200 FAX: (408) 284-3572 www.IDT.com	
	TITLE LBG8 PACKAGE OUTLINE LGA 3.35 x 3.0 mm BODY 0.70 mm PITCH	
SIZE C	DRAWING No. PSC-4693	REV 00
DO NOT SCALE DRAWING		SHEET 1 OF 1


DATE CREATED	REVISIONS		
	REV	DESCRIPTION	AUTHOR
3/29/17	00	INITIAL RELEASE	JH
NOTE: REFER TO DCP FOR OFFICIAL RELEASE DATE			



RECOMMENDED LAND PATTERN

NOTES:

1. ALL DIMENSIONS ARE IN mm. ANGLES IN DEGREES.
2. TOP DOWN VIEW AS VIEWED ON PCB.
3. LAND PATTERN RECOMMENDATION PER IPC-7351B GENERIC REQUIREMENT FOR SURFACE MOUNT DESIGN AND LAND PATTERN.

TOLERANCES UNLESS SPECIFIED		 www.IDT.com	6024 SILVER CREEK VALLEY ROAD, SAN JOSE, CA 95138 PHONE: (408) 284-8200 FAX: (408) 284-3572
DECIMAL	ANGULAR		
X±		TITLE LBG8 PACKAGE OUTLINE	
XX±		LGA 3.35 x 3.0 mm BODY	
XXX±		0.70 mm PITCH	
SIZE	DRAWING No.	REV	
C	PSC-4693	00	
DO NOT SCALE DRAWING			SHEET 2 OF 2