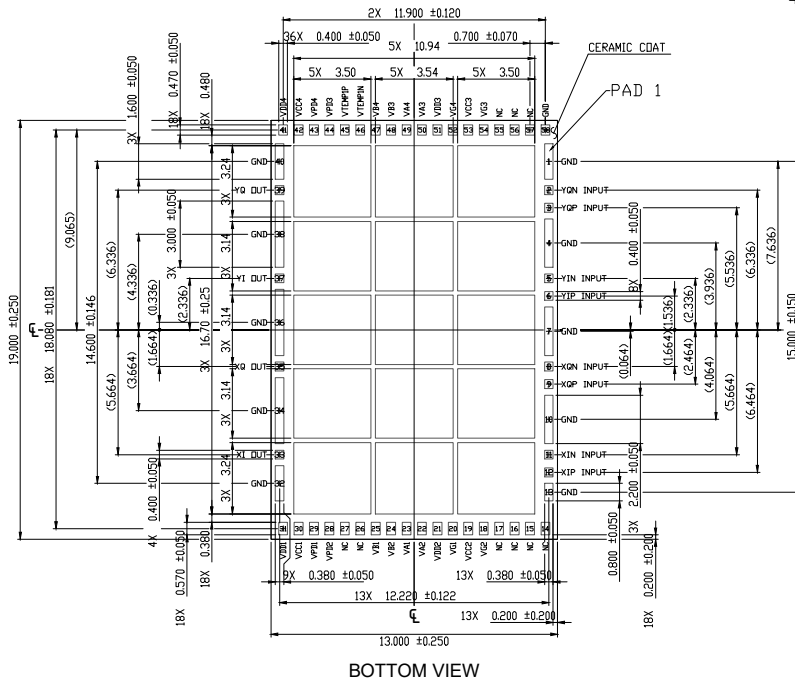


SIDE VIEW - RF INPUTS

SIDE VIEW - DC INPUTS

NOTES:

1. ALL DIMENSIONS ARE IN MILLIMETERS (mm).
2. TOLERANCES ARE ± 0.15 mm UNLESS OTHERWISE SPECIFIED.
3. CONNECT UNLABELED (LARGE) PADS TO GROUND.
4. PADS LABELED "NC" ARE NOT INTERNALLY CONNECTED.



BOTTOM VIEW

Package Revision History		
Date Created	Rev No.	Description
Nov 21, 2017	Rev 00	Initial Release
Jun 21, 2021	Rev 01	Update to Renesas Logo