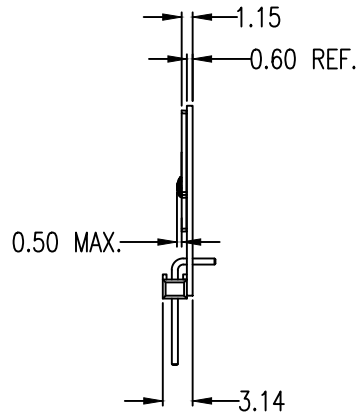
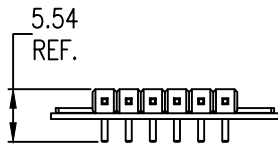


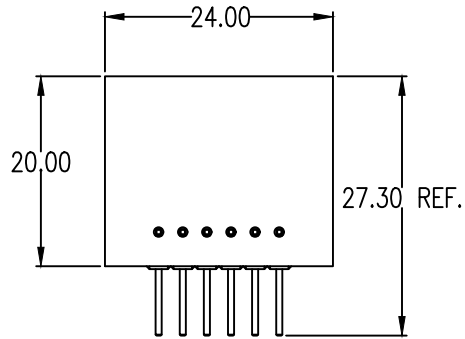
TOP VIEW



SIDE VIEW



SIDE VIEW



BOTTOM VIEW

NOTES:

1. ALL DIMENSION AND TOLERANCING CONFORM TO ANSI Y14.5M-1982
2. ALL DIMENSIONS ARE IN MILLIMETERS

Package Revision History		
Date Created	Rev No.	Description
Aug 11, 2017	Rev 01	Modify "NOTE"
June 16, 2021	Rev 02	Update to Renesas Logo