

SYMBOL	MIN	NOM	MAX
LEAD WIDTH(PLATING)	b	0.17	0.27
LEAD WIDTH	b1	0.17	0.23
L/F THICKNESS(PLATING)	c	0.09	0.2
L/F THICKNESS	c1	0.09	0.16
LEAD PITCH	N	48	
	e	0.5 BSC	
	S	0.2 REF	
PACKAGE EDGE TOLERANCE	ddd	0.2	
LEAD EDGE TOLERANCE	bbb	0.2	
COPLANARITY	ccc	0.08	
LEAD OFFSET	ddd	0.08	
MOLD FLATNESS	eee	0.05	

COMMON DIMENSIONS

SYMBOL	MIN	NOM	MAX
TOTAL THICKNESS	A	1	1.2
STAND OFF	A1	0.05	0.15
MOLD THICKNESS	A2	0.95	1.05
FOOTPRINT	L	0.5	0.7
	L1	1 REF	
	θ	1°	5°
	01	12° REF	
	R	0.15	0.25
	X	9 BSC	
	Y	9 BSC	
	X	7 BSC	
	Y	7 BSC	
BODY SIZE	Y	E1	

NOTES

- DATUM PLANE H IS LOCATED AT BOTTOM OF LEAD AND IS COINCIDENT WITH THE LEAD EXITS THE PLASTIC BODY AT THE BOTTOM OF THE PARTING LINE.
- DATUMS T, U AND Z TO BE DETERMINED AT DATUM PLANE H.
- DIMENSIONS D AND E TO BE DETERMINED AT SEATING PLANE DATUM Y.
- DIMENSIONS D1 AND E1 DO NOT INCLUDE MOLD PROTRUSION. ALLOWABLE PROTRUSION IS 0.25MM PER SIDE. DIMENSIONS D1 AND E1 DO INCLUDE MOLD MISMATCH AND ARE DETERMINED AT DATUM PLANE H.
- DIMENSION B DOES NOT INCLUDE DAMBAR PROTRUSION. DAMBAR PROTRUSION SHALL NOT CAUSE THE B DIMENSION TO EXCEED 0.35.
- MINIMUM SOLDER PLATE THICKNESS SHALL BE 0.0076.
- EXACT SHAPE OF EACH CORNER IS OPTIONAL.
- UNIT IN MM.

SYMBOL	JEDEC VARIATION		
	MIN	NOM	MAX
BSC			
L	3.2		
N		.80 BSC	
b	.30	.37	.45
b1	.30	.35	.40
ccc	-	-	.10
ddd	-	-	.20

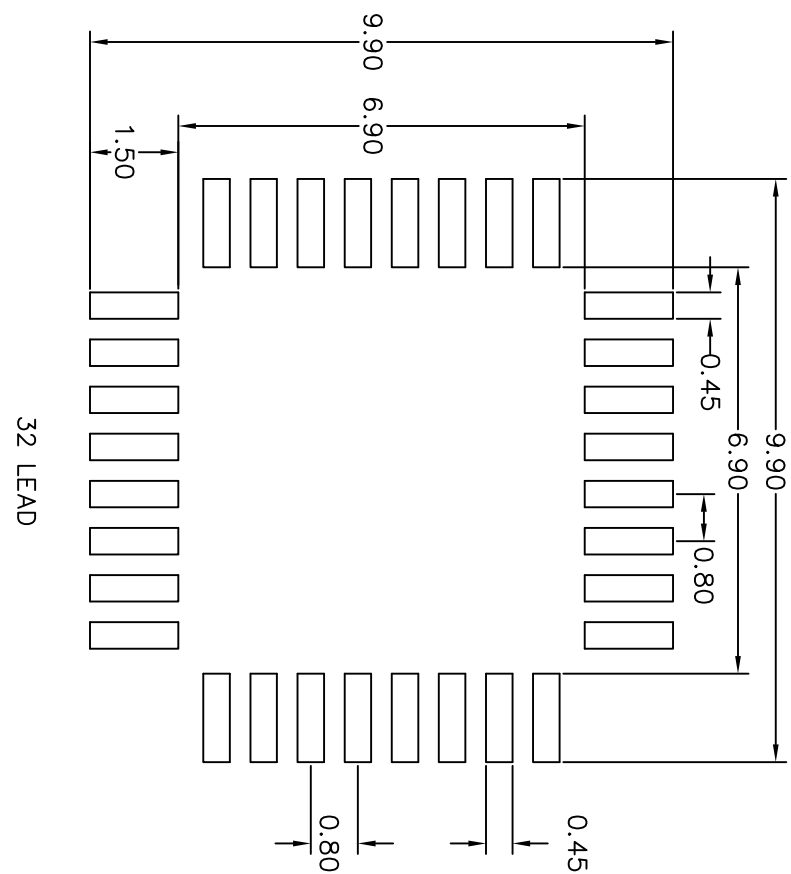
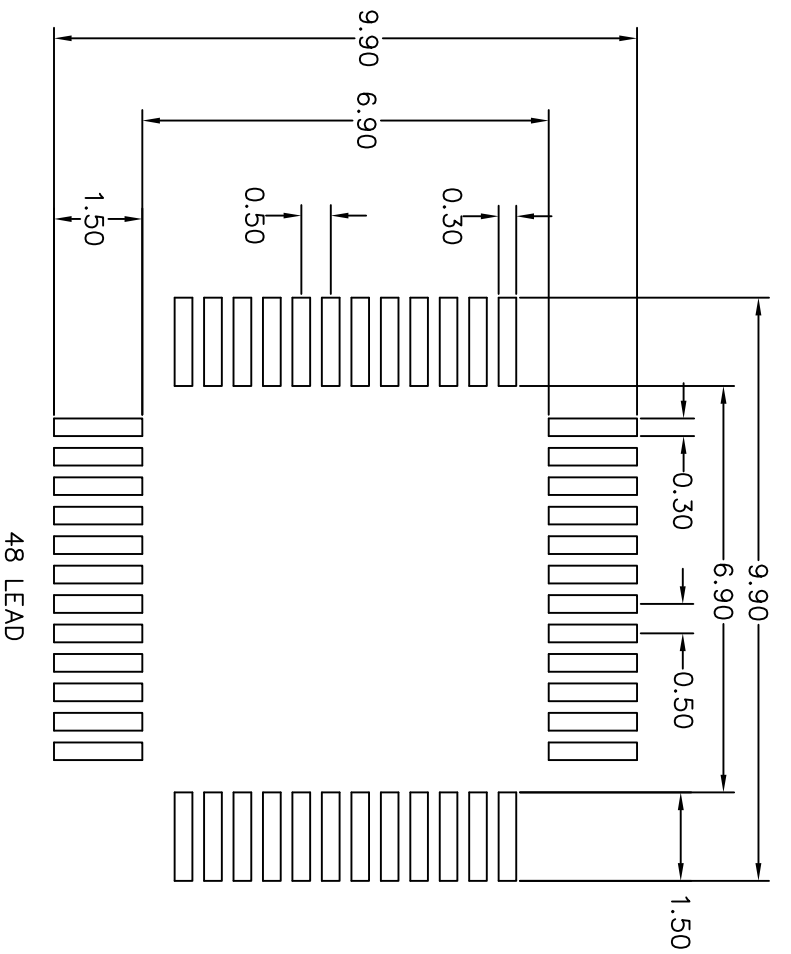
TOLERANCES
UNLESS SPECIFIED
DECIMAL ±
ANGULAR ±

APPROVALS DATE
DRAWN CJC 06/09/11
CHECKED

IDT
www.idt.com
8024 Silver Creek Valley Rd
San Jose, CA 95138
PHONE: (408) 284-8200
FAX: (408) 284-3572

TITLE
FR/FRG32/48 TOP PACKAGE OUTLINE
SIZE 7.0 X 7.0 X 1.0 PKG
DRAWING No. PSC-4167
REV 02

DO NOT SCALE DRAWING SHEET 1 OF 3



RECOMMENDED LAND PATTERN DIMENSION

NOTES:

1. ALL DIMENSION ARE IN mm. ANGLES IN DEGREES.
2. TOP DOWN VIEW. AS VIEWED ON PCB.
3. LAND PATTERN IN BLUE. NSMD PATTERN ASSUMED.
4. LAND PATTERN RECOMMENDATION PER IPC-7351B LP CALCULATOR.

TOLERANCES UNLESS SPECIFIED		DECIMAL		ANGULAR	
XXXX		±		°	
APPROVALS		DATE		TITLE	
DRAWN GJC		06/09/11		ER/ERG32/48 TOP PACKAGE OUTLINE	
CHECKED				7.0 X 7.0 X 1.0 PKG	
XXXXX				SIZE C	
WWW.IDT.COM				DRAWING No. PSC-4167	
6024 Silver Creek Valley Rd San Jose, CA 95138 PHONE: (408) 294-6200 FAX: (408) 294-3572				REV 02	
DO NOT SCALE DRAWING				SHEET 2 OF 3	

