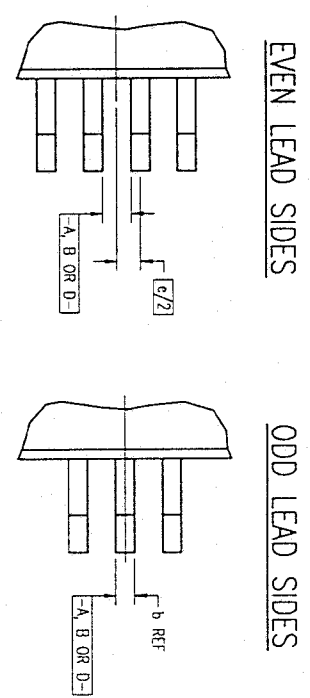
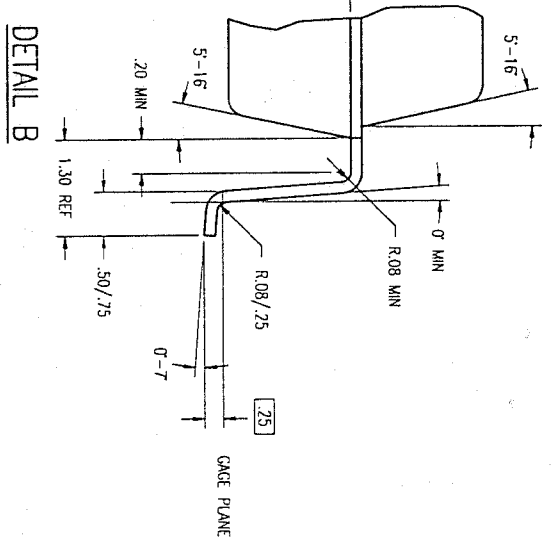
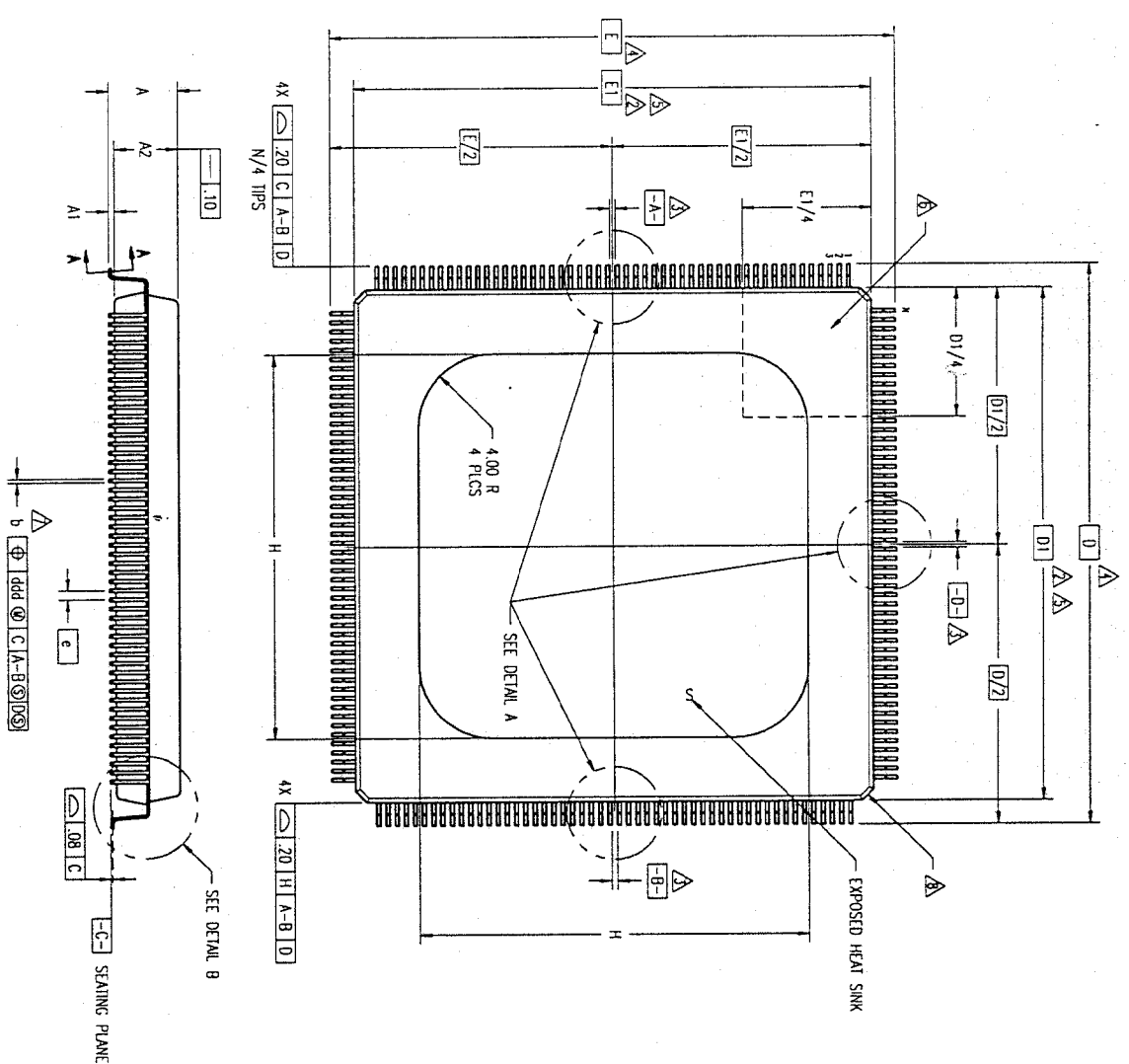


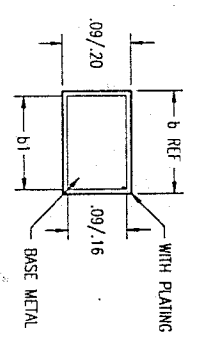
REVISIONS			
DCN	REV	DESCRIPTION	DATE
61478	00	INITIAL RELEASE	09/20/98



DETAIL A



DETAIL B



SECTION A-A

SEP 30 1998

INTEGRATED DEVICE TECHNOLOGY, INC.
 2975 Siemata Way, Santa Clara, CA 95054
 PHONE: (408) 727-6118
 FAX: (408) 492-8674
 TWK: 910-336-2070

TOLERANCES UNLESS SPECIFIED
 DECIMAL .005
 ANGULAR ± .5°
 XXXX
 XXXX
 XXXX

APPROVALS	DATE	TITLE
DRAWN JW	09/20/98	DP PACKAGE OUTLINE
CHECKED		28.0 X 28.0 X 3.4 mm PQFP
		1.30/.25 MIN FORM
		PSC-4069
		REV 00

DO NOT SCALE DRAWING SHEET 1 OF 2

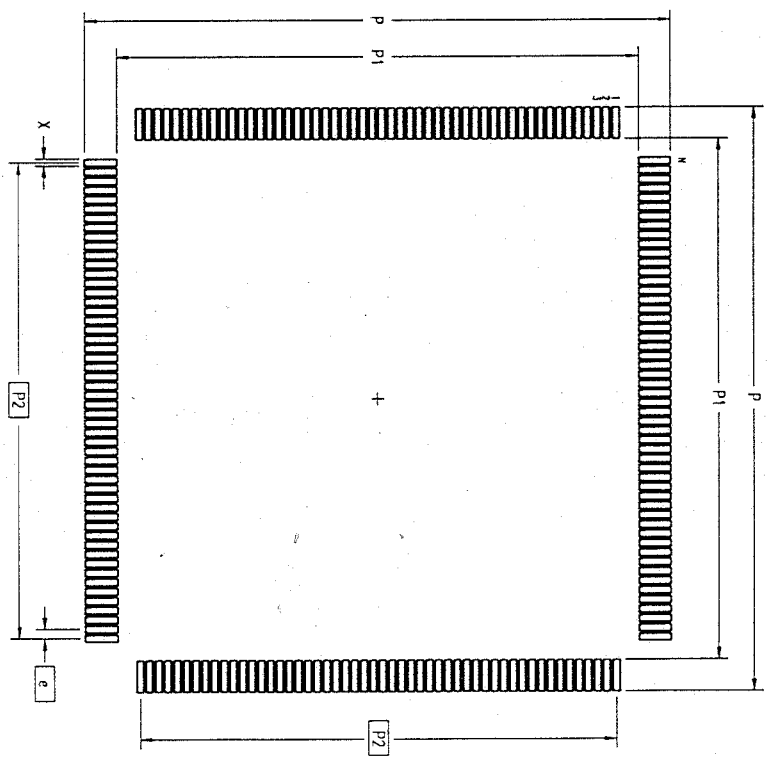
REVISIONS			DATE	APPROVED
DCN	REV	DESCRIPTION	INITIAL RELEASE	
61478	00		09/20/98	

LAND PATTERN DIMENSIONS

SYMBOL	JEDEC VARIATION			NOTE
	DC-1			
	MIN	NOM	MAX	
A	-	-	4.10	
A1	.25	-	-	
A2	3.20	3.40	3.60	
D	30.60 BSC			4
D1	28.00 BSC			5.2
E	30.60 BSC			4
E1	28.00 BSC			5.2
H	21.00 REF			
N	208			
e	.50 BSC			
b	.17	-	.27	7
b1	.17	.20	.23	
ddd	-	-	.08	

NOTES:

- ALL DIMENSIONING AND TOLERANCING CONFORM TO ASME Y14.5M-1994
- TOP PACKAGE MAY BE SMALLER THAN BOTTOM PACKAGE BY .15 mm
- DATUMS [A-B] AND [D-] TO BE DETERMINED AT DATUM PLANE [H-]
- DIMENSIONS D AND E ARE TO BE DETERMINED AT SEATING PLANE [C-]
- DIMENSIONS D1 AND E1 DO NOT INCLUDE MOLD PROTRUSION. ALLOWABLE MOLD PROTRUSION IS .25 mm PER SIDE. D1 AND E1 ARE BODY SIZE DIMENSIONS INCLUDING MOLD MISMATCH
- DETAIL OF PIN 1 IDENTIFIER IS OPTIONAL BUT MUST BE LOCATED WITHIN THE ZONE INDICATED
- DIMENSION b DOES NOT INCLUDE DAMBAR PROTRUSION. ALLOWABLE DAMBAR PROTRUSION IS .08 mm IN EXCESS OF THE b DIMENSION AT MAXIMUM MATERIAL CONDITION. DAMBAR CANNOT BE LOCATED ON THE LOWER RADIUS OR THE FOOT.
- EXACT SHAPE OF EACH CORNER IS OPTIONAL
- THESE DIMENSIONS APPLY TO THE FLAT SECTION OF THE LEAD BETWEEN .10 AND .25 mm FROM THE LEAD TIP
- ALL DIMENSIONS ARE IN MILLIMETERS
- THIS OUTLINE CONFORMS TO JEDEC PUBLICATION 95 REGISTRATION MO-143, VARIATION FA-1



	MIN	MAX
P	31.20	31.40
P1	27.80	28.00
P2	25.50 BSC	
X	.30	.40
e	.50 BSC	
N	208	

SEP 30 1998

TOLERANCES UNLESS SPECIFIED		Integrated Device Technology, Inc.	
DECIMAL	±	2875 Stender Way, Santa Clara, CA 95054	PHONE: (408) 727-8116
ANGULAR	±		FAX: (408) 492-8674
XXX±			TWK: 810-338-2070
XXXX±			
XXXX±			
APPROVALS	DATE	TITLE	DP PACKAGE OUTLINE
DRWN: JV	09/20/98	28.0 X 28.0 X 3.4 mm PQFP	
CHECKED		1.30/.25 MIN FORM	
SIZE: C	DRAWING NO: PSC-4069	REV: 00	DO NOT SCALE DRAWING
		SHEET 2 OF 2	