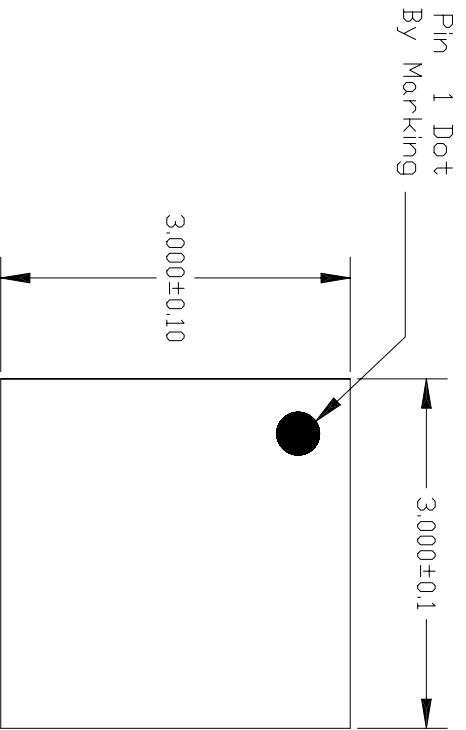
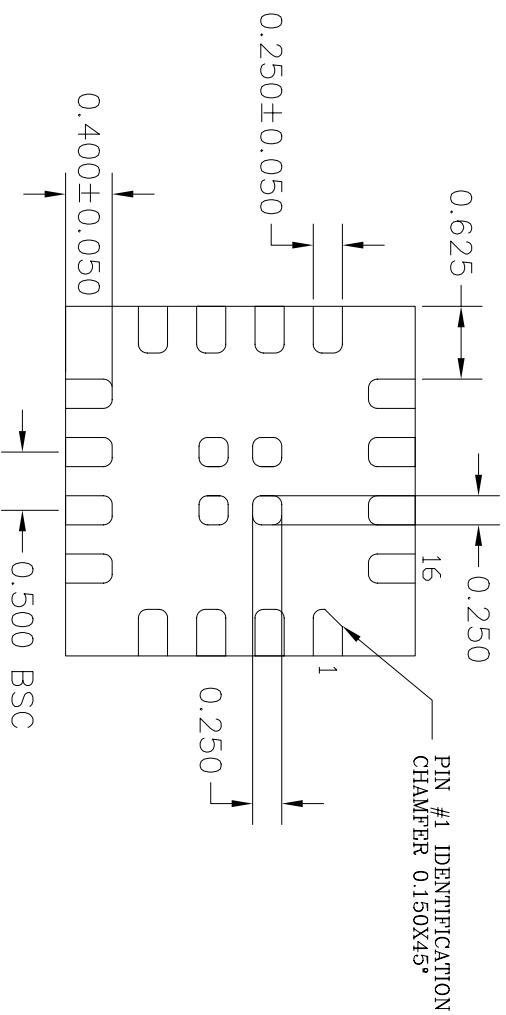


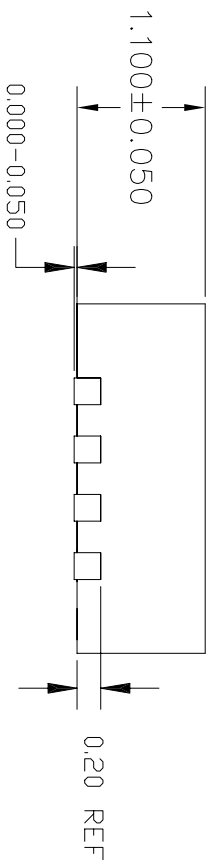
REVISIONS			
REV	DESCRIPTION	DATE	APPROVED
00	INITIAL RELEASE	02/09/11	DP



TOP VIEW



BOTTOM VIEW



SIDE VIEW

TOLERANCES UNLESS SPECIFIED  
 DECIMAL ANGULAR  
 XXX± ±  
 XXXXX ±

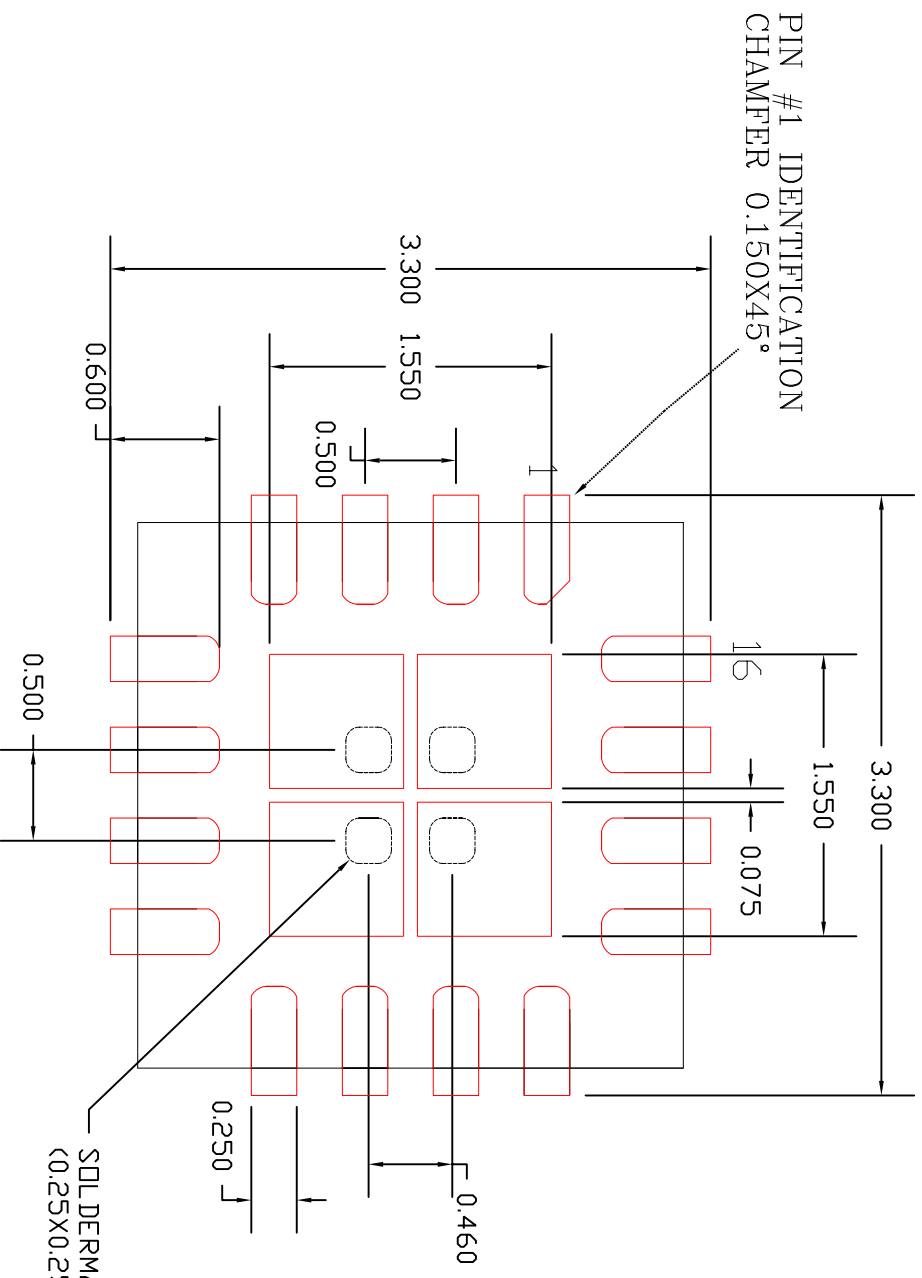
www.IDT.com 6024 Silver Creek Valley Road  
 San Jose, CA 95138  
 PHONE: (408) 284-8200 FAX: (408) 284-8591

APPROVALS DATE TITLE  
 DRAWN *DP* 12/17/10 CN/CNG16 PACKAGE OUTLINE  
 3.0 x 3.0 mm BODY  
 0.5 mm PITCH COL

CHECKED


SIZE C DRAWING No. PSC-4334 REV 00  
 DO NOT SCALE DRAWING SHEET 1 OF 2

REVISIONS			
REV	DESCRIPTION	DATE	APPROVED
00	INITIAL RELEASE	02/09/11	DP



CNG16 RECOMMENDED FOOTPRINT  
(PCB TOP VIEW)

NOTES: ALL DIMENSIONS ARE IN MILLIMETERS.

TOLERANCES UNLESS SPECIFIED		 <b>6024 Silver Creek Valley Road</b> San Jose, CA 95138 Phone: (408) 284-8200 Fax: (408) 284-8591	
DECIMAL	±	ANGULAR	±
XXXX±		XXXX±	
APPROVALS	DATE	TITLE	SIZE
DRAWN <i>JDP</i>	12/17/10	CN/CNG16 PACKAGE OUTLINE	C
CHECKED		3.0 x 3.0 mm BODY	DRAWING No. PSC-4334
		0.5 mm PITCH COL	REV 00
DO NOT SCALE DRAWING			SHEET 2 OF 2