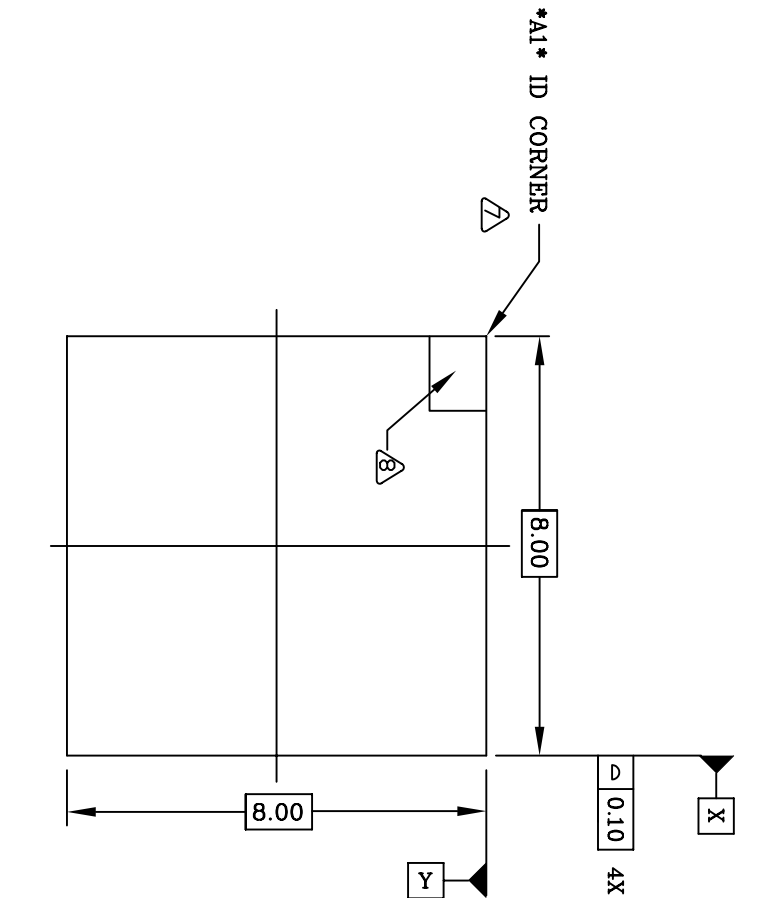
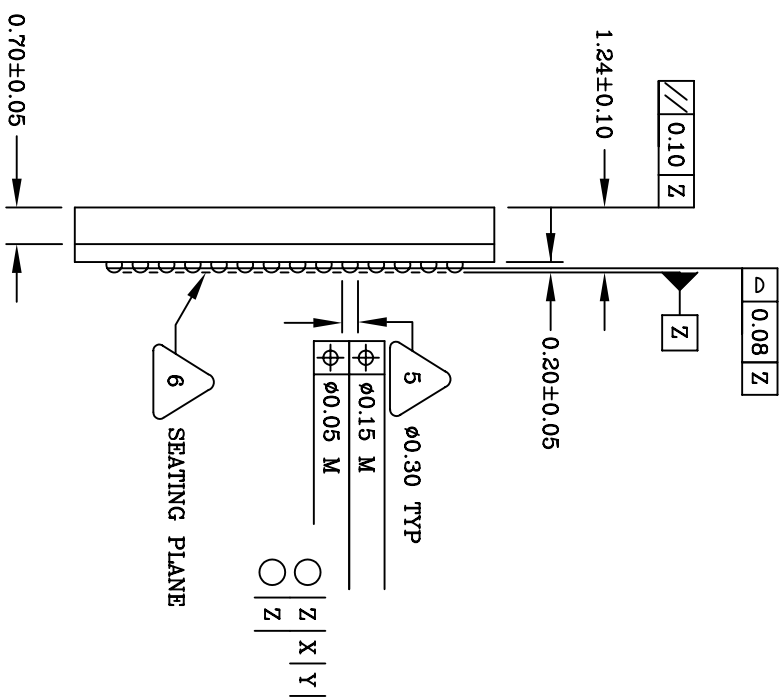


REVISIONS			
REV	DESCRIPTION	DATE	APPROVED
00	INITIAL RELEASE	11/29/01	DX
01	ADD 'GREEN' BZG NOMENCLATURE	11/18/04	TU VU
02	COMBINE PDD & LAND PATTERN	4/17/13	RC



TOP VIEW



SIDE VIEW

UNLESS OTHERWISE SPECIFIED  
DIMENSIONS ARE IN MILLIMETERS  
XX ±0.10  
XXX ±0.05  
XXXX ±0.03

APPROVALS DATE  
DRAWN JGS 10/15/01  
CHECKED

www.IDT.com

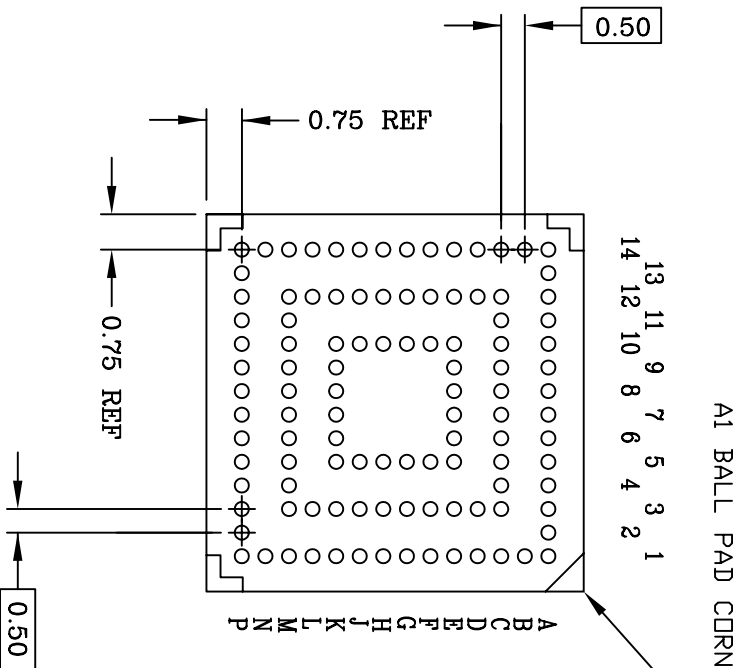
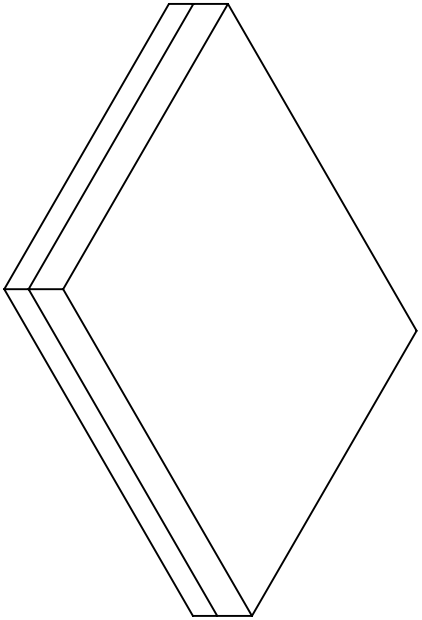
6024 Silver Creek Valley Road  
San Jose CA 95138  
PHONE: (408) 284-8200  
FAX: (408) 284-8691



BZ/BZG 108 PACKAGE OUTLINE  
8.0 X 8.0 mm BODY CABGA  
0.5 mm Ball Pitch

APPROVALS	DATE	SIZE	SCALE	REV
DRAWN JGS	10/15/01	C	N/A	02
CHECKED				
DRAWING NO. PSC-4109		SHEET 1 OF 3		
DO NOT SCALE DRAWING				

REVISIONS			
REV	DESCRIPTION	DATE	APPROVED
00	INITIAL RELEASE	11/29/01	DX
01	ADD GREEN BZG NOMENCLATURE	11/18/04	DX
02	COMBINE PDD & LAND PATTERN	4/17/13	RC

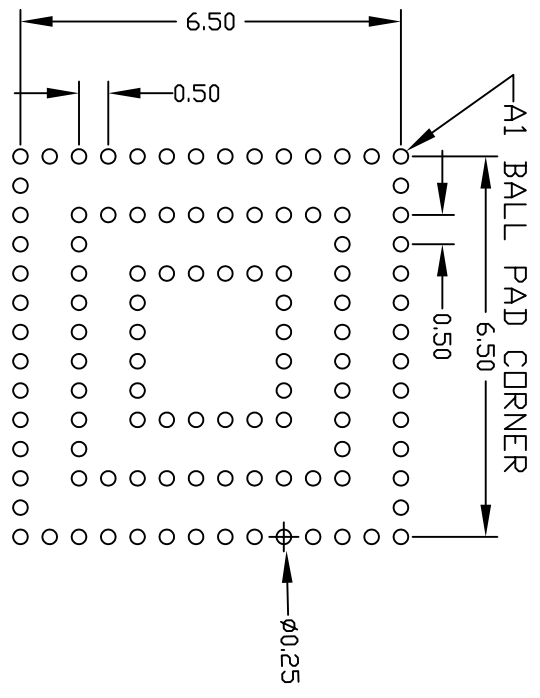


**BOTTOM VIEW**  
(108 SOLDER BALLS)

- NOTES: UNLESS OTHERWISE SPECIFIED
1. ALL DIMENSIONS AND TOLERANCES CONFORM TO ASME Y14.5M-1994.
  2. THE BASIC SOLDER BALL GRID PITCH IS 0.50.
  3. THE MAXIMUM SOLDER BALL MATRIX SIZE IS 14 X 14.
  4. THE MAXIMUM ALLOWABLE NUMBER OF SOLDER BALLS IS 108.
  5. DIMENSION IS MEASURED AT THE MAXIMUM SOLDER BALL DIAMETER, PARALLEL TO PRIMARY DATUM Z.
  6. PRIMARY DATUM Z AND SEATING PLANE ARE DEFINED BY THE SPHERICAL CROWNS OF THE SOLDER BALLS.
  7. \*A1\* ID CORNER MUST BE IDENTIFIED BY CHAMFER, INK MARK, METALLIZED MARKING, INDENTATION OR OTHER FEATURE ON PACKAGE BODY.
  8. IF "A1" ID CORNER IS ON PACKAGE BODY. IT MUST BE LOCATED WITHIN THE ZONE INDICATED.
  9. ALL DIMENSIONS ARE IN MILLIMETERS.


UNLESS OTHERWISE SPECIFIED DIMENSIONS ARE IN MILLIMETERS ±1°		APPROVALS		DATE
DECIMAL XX.XX	±0.10	DRAWN	JG	10/15/01
XXX	±0.05	CHECKED		
XXXX	±0.03			
<b>IDT</b> www.IDT.com		BZ/BZG 108 PACKAGE OUTLINE 8.0 X 8.0 mm BODY CABGA 0.5 mm Ball Pitch		
6024Silver Creek Valley Road San Jose CA 95138 PHONE: (408) 284-8200 FAX: (408) 284-8691		DRAWING No.	PSC-4109	SIZE SCALE REV C N/A 02
DDI MDT SCALE DRAWING		SHEET 2 OF 3		

REVISIONS			
REV	DESCRIPTION	DATE	APPROVED
00	INITIAL RELEASE	11/29/01	DX
01	ADD 'GREEN' BZG NOMENCLATURE	11/18/04	DX
02	COMBINE PDD & LAND PATTERN	4/17/13	RC



RECOMMENDED LAND PATTERN

- NOTE:
- 1) ALL dimensions are in mm, Angles in degrees.
  - 2) Top down view, as view on PCB.
  - 3) NSMD Land Pattern Assumed
  - 4) Land Pattern Recommendation as per IPC-7351B generic requirement for surface mount design and Land Pattern.

UNLESS OTHERWISE SPECIFIED DIMENSIONS ARE IN MILLIMETERS DECIMAL XX ±0.10 XXX ±0.05 XXXX ±0.03		ANGULAR ±1°	
APPROVALS	DATE	DRAWING No.	
DRAWN <i>gxc</i>	10/15/01	BZ/BZG 108 PACKAGE OUTLINE 80 X 80 mm BODY CABGA 0.5 mm Ball Pitch	
CHECKED		PSC-4109	
www.IDT.com		SIZE SCALE REV C N/A 02	
		6024 Silver Creek Valley Road San Jose CA 95138 PHONE: (408) 284-8200 FAX: (408) 284-8891	
DD NOT SCALE DRAWING			
			SHEET 3 OF 3