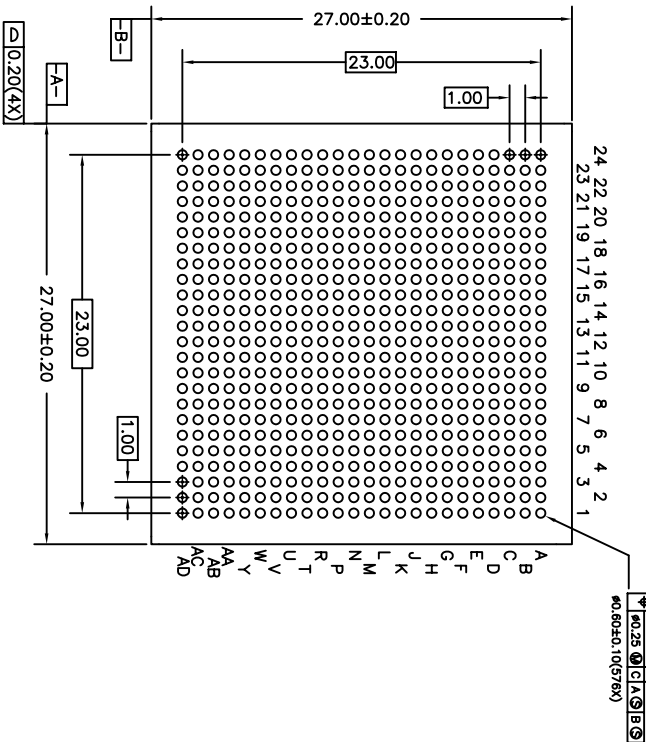
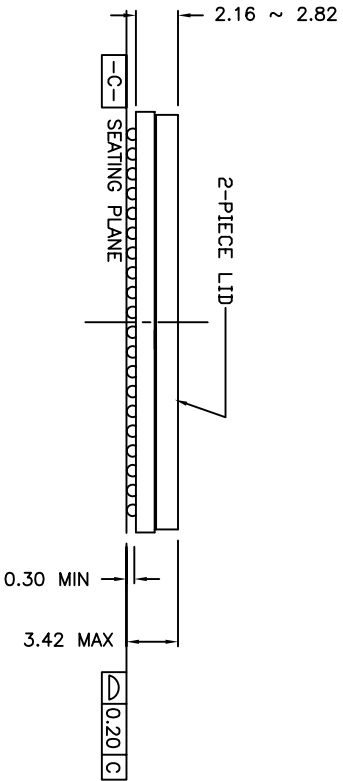
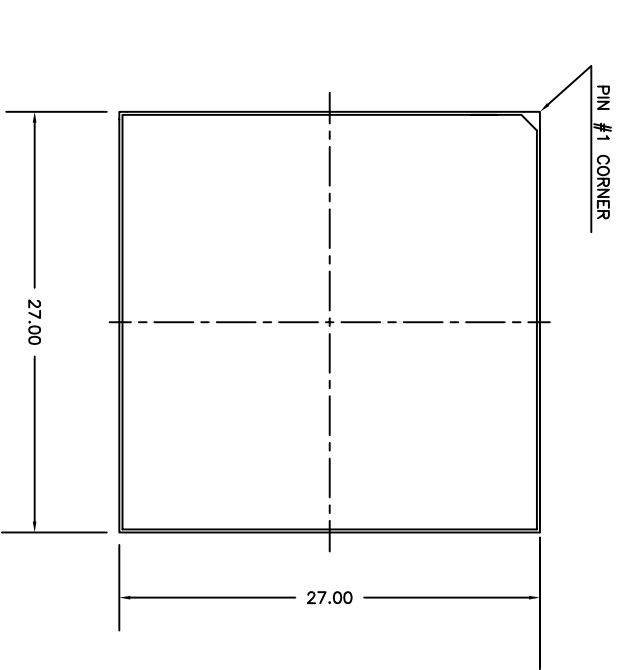
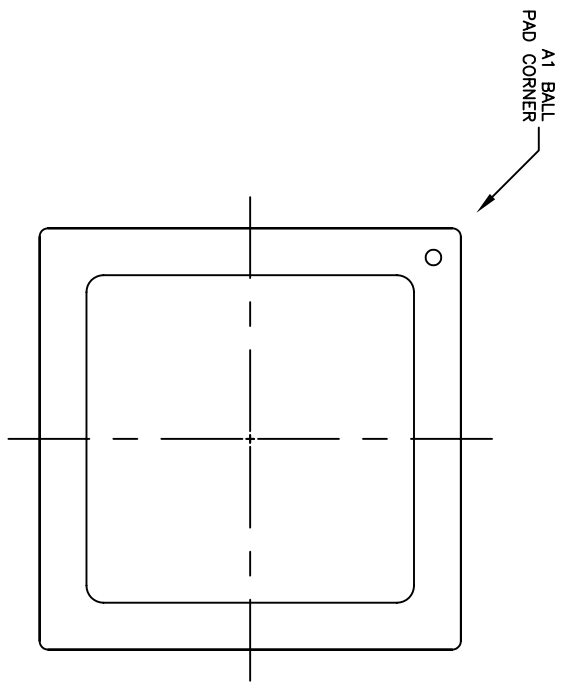


REVISIONS			
REV	DESCRIPTION	DATE	APPROVED
03	ADDED SINGLE-PC LID OPTION	02/21/08	P.PAIK
04	ADDED GREEN,ROHS,BTG/RT	06/22/09	P.PAIK
05	COMBINE POD & LAND PATTERN	5/31/13	KS

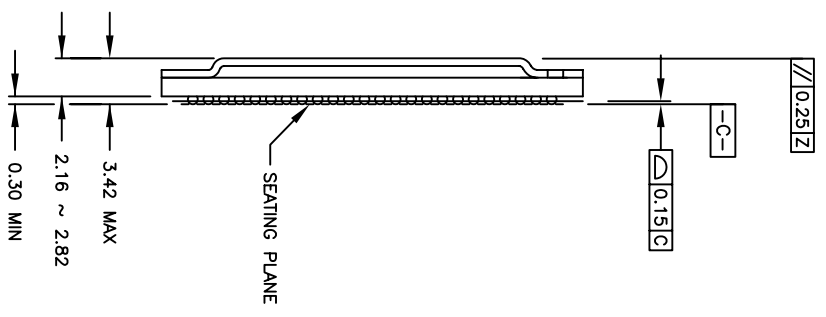


TOLERANCES UNLESS SPECIFIED		6024 Silver Creek Valley Rd	
DECIMAL	ANGULAR	San Jose, CA 95126	
± 0.1	$\pm 1^\circ$	PHONE: (408) 284-8200	
XX±	XXX±	WWW.IDT.COM	
XXXX±		FAX: (408) 284-3572	
APPROVALS	DATE	TITLE	
DRAWN	11/03/04	BT/BTG/RT 576 PACKAGE OUTLINE	
CHECKED		27.0 x 27.0 mm BODY	
		1.00 mm PITCH FOBGA	
SIZE	DRAWING No.	REV	
C	PSC-4143	05	
DO NOT SCALE DRAWING		SHEET	1 OF 3

REVISIONS			
REV	DESCRIPTION	DATE	APPROVED
03	ADDED SINGLE-PC LID OPTION	02/21/08	P.PAIK
04	ADDED GREEN,ROHS,BTG/RT	06/22/09	P.PAIK
05	COMBINE POD & LAND PATTERN	5/31/13	KS

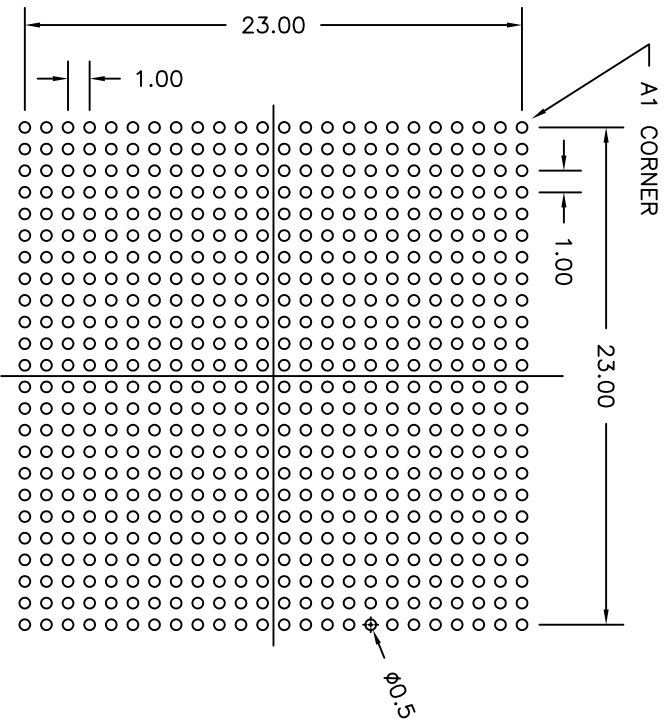


SINGLE-PIECE LID OPTION



TOLERANCES UNLESS SPECIFIED		6024 Silver Creek Valley Rd	
DECIMAL	ANGULAR	San Jose, CA 95126	
XX±	F1°	PHONE: (408) 284-8200	
XXXX±		FAX: (408) 284-3572	
APPROVALS	DATE	TITLE	
DRAWN P90P	11/03/04	BT/BTG/RT 576 PACKAGE OUTLINE	
CHECKED		27.0 x 27.0 mm BODY	
		1.00 mm PITCH FCBGA	
SIZE	DRAWING No.	DO NOT SCALE DRAWING	REV
C	PSC-4143		05
		SHEET 2 OF 3	


REVISIONS			
REV	DESCRIPTION	DATE	APPROVED
03	ADDED SINGLE-PC LID OPTION	02/21/08	P.PAIK
04	ADDED GREEN,ROHS, BTG/RT	06/22/09	P.PAIK
05	COMBINE POD & LAND PATTERN	5/31/13	KS



RECOMMENDED LAND PATTERN

NOTE:

- 1) ALL dimensions are in mm, Angles in degrees.
- 2) Top down view, as view on PCB.
- 3) NSMD Land Pattern Assumed
- 4) Land Pattern Recommendation as per IPC-7351B generic requirement for surface mount design and Land Pattern.

TOLERANCES UNLESS SPECIFIED			
DECIMAL	ANGULAR	6024 Silver Creek Valley Rd San Jose, CA 95126 PHONE: (408) 284-8200 FAX: (408) 284-3572	
XX.X	±1°	www.IDT.com	
XXX.X	±0.50	TITLE BT/BTG/RT 576 PACKAGE OUTLINE	
APPROVALS	DATE	DRAWING No. PSC-4143	
DRAWN P3XP	11/03/04	SIZE C	
CHECKED		DO NOT SCALE DRAWING	
		SHEET 3 OF 3	