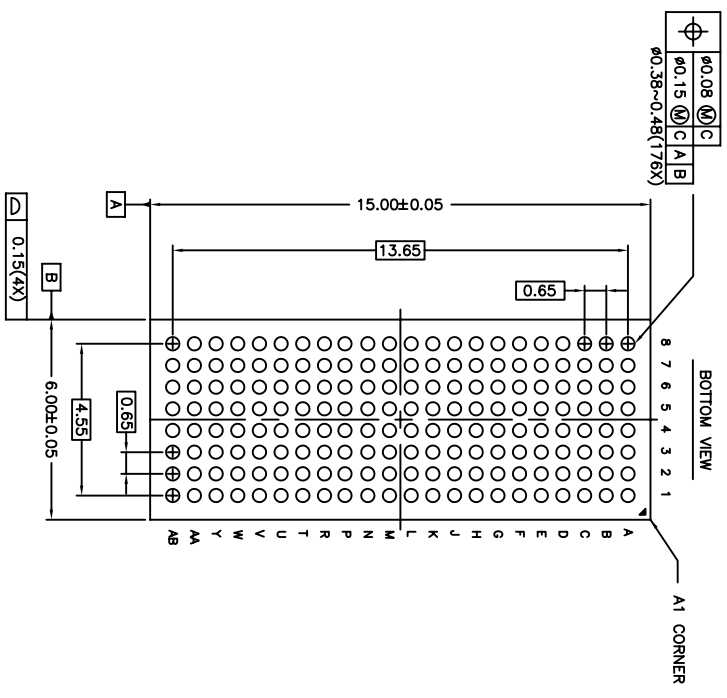
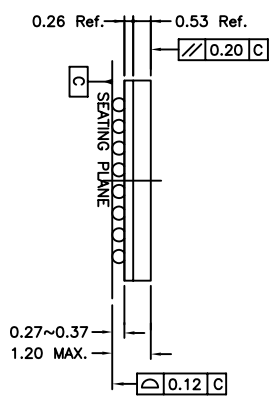
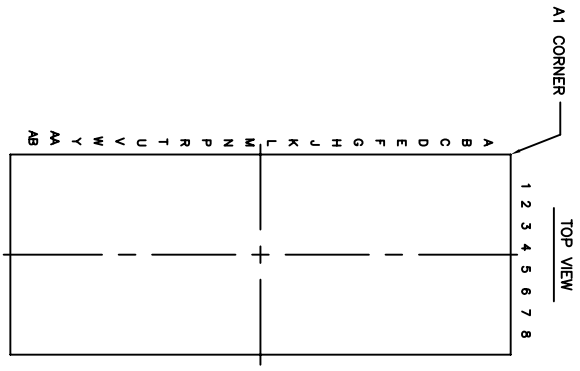



REVISIONS			
REV	DESCRIPTION	DATE	APPROVED
02	ADD "GREEN" BKG NOMENCLATURE	10/19/04	TU VU
03	COMBINE POD & LAND PATTERN	06/21/13	KS



Bell Pitch :	0.65	Substrate Thickness :	0.26
Bell Diameter :	0.40	Mold Thickness :	0.53

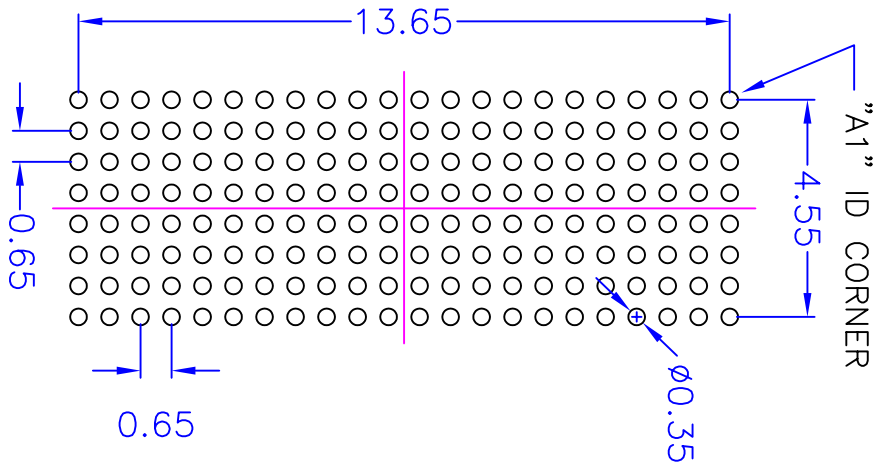
TOLERANCES UNLESS SPECIFIED	
DECIMAL	ANGULAR
XX.X	XX.X
XXXX	XXXX
APPROVALS	DATE
DRAWN PXP	02/17/04
CHECKED	
SIZE	DRAWING NO.
C	PSC-4128
DO NOT SCALE DRAWING	SHEET 1 OF 2


**6024 SILVER CREEK**  
 VALLEY ROAD  
 SAN JOSE CA, 95138  
 PHONE: (408) 284-8200  
 FAX: (408) 284-8591  
[www.IDT.com](http://www.IDT.com)

TITLE BK/BKG 176 PACKAGE OUTLINE  
 6 x 15 mm BODY CTBGA  
 0.65 mm PITCH

REV 03


REVISIONS			
REV	DESCRIPTION	DATE	APPROVED
02	ADD "GREEN" BKG NOMENCLATURE	10/19/04	TU VU
03	COMBINE POD & LAND PATTERN	06/21/13	KS



RECOMMENDED LAND PATTERN DIMENSION

NOTE:

- 1) ALL dimensions are in mm, Angles in degrees.
- 2) Top down view, as view on PCB.
- 3) NSMD Land Pattern Assumed
- 4) Land Pattern Recommendation as per IPC-7351B generic requirement for surface mount design and Land Pattern.

TOLERANCES UNLESS SPECIFIED		APPROVALS	
DECIMAL	ANGULAR	DATE	
XX.X		02/17/04	
XXX.X			
XXXX			
 6024 SILVER CREEK VALLEY ROAD SAN JOSE CA, 95138 PHONE: (408) 284-8200 FAX: (408) 284-8591		TITLE BK/BKG 176 PACKAGE OUTLINE 6 x 15 mm BODY CTBGA 0.65 mm PITCH	
WWW.IDT.COM		SIZE	DRAWING No.
		C	PSC-4128
		DO NOT SCALE DRAWING	REV 03
			SHEET 2 OF 2