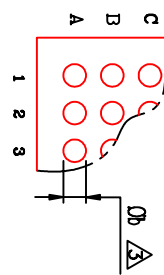
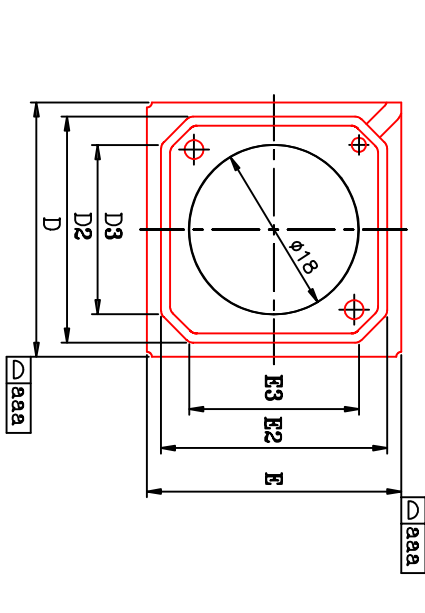
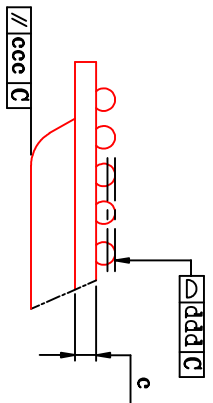
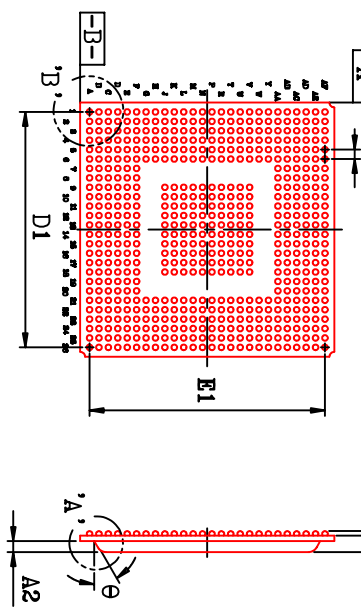


REVISIONS			
REV	DESCRIPTION	DATE	APPROVED
00	INITIAL RELEASE	2/17/10	JS
01	COMBINE POD & LAND PATTERN	06/18/13	KS



Øeee	ØC	A	B
Øfff	ØC	A	B

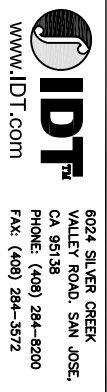
Symbol	dimension in mm			dimension in inch		
	MIN	NOM	MAX	MIN	NOM	MAX
A	---	2.23	2.43	---	0.088	0.096
A1	0.40	0.50	0.60	0.016	0.020	0.024
A2	1.12	1.17	1.22	0.044	0.046	0.048
b	0.50	0.60	0.70	0.020	0.024	0.028
c	0.51	0.56	0.61	0.020	0.022	0.024
D	26.80	27.00	27.20	1.055	1.063	1.071
D1	---	25.00	---	---	0.984	---
D2	23.80	24.00	24.20	0.937	0.945	0.953
D3	---	18.00	---	---	0.709	---
E	26.80	27.00	27.20	1.055	1.063	1.071
E1	---	25.00	---	---	0.984	---
E2	23.80	24.00	24.20	0.937	0.945	0.953
E3	---	18.00	---	---	0.709	---
e	---	1.00	---	---	0.039	---
aaa	0.20	---	---	---	0.008	---
ccc	0.25	---	---	---	1.010	---
ddd	0.15	---	---	---	0.006	---
eee	0.25	---	---	---	0.010	---
fff	0.10	---	---	---	0.004	---
θ	---	30°TYP	---	---	30°TYP	---



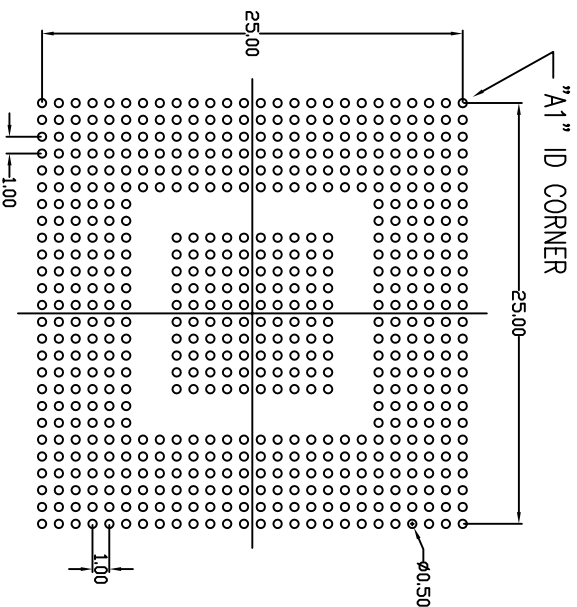
DETAIL 'A'

- NOTE:
- CONTROLLING DIMENSION: MILLIMETER.
 - PRIMARY DATUM C AND SEATING PLANE ARE DEFINED BY THE SPHERICAL CROWNS OF THE SOLDER BALLS.
 - DIMENSION b IS MEASURED AT THE MAXIMUM SOLDER BALL DIAMETER, PARALLEL TO PRIMARY DATUM C.
 - THERE SHALL BE A MINIMUM CLEARANCE OF 0.25 mm BETWEEN THE EDGE OF THE SOLDER BALL AND THE BODY EDGE.
 - REFERENCE DOCUMENT: JEDEC MS-034
 - SPECIAL CHARACTERISTICS C CLASS: ccc , ddd

TOLERANCES UNLESS SPECIFIED		DECIMAL ANGULAR	
XX±.05		±1°	
XXX±.030			
APPROVALS	DATE	TITLE	
DRAWN <i>adg</i>	2/17/10	BH/BHG 580 PACKAGE OUTLINE	
CHECKED		SIZE	DRAWING No.
		C	PSC-4303
		DO NOT SCALE DRAWING	REV 01
			SHEET 1 OF 2



REVISIONS			
REV	DESCRIPTION	DATE	APPROVED
00	INITIAL RELEASE	2/17/10	JS
01	COMBINE POD & LAND PATTERN	06/18/13	KS



RECOMMENDED LAND PATTERN DIMENSION

NOTE:

- 1) ALL dimensions are in mm, Angles in degrees.
- 2) Top down view, as view on PCB.
- 3) NSMD Land Pattern Assumed
- 4) Land Pattern Recommendation as per IPC-7351B generic requirement for surface mount design and Land Pattern.

TOLERANCES UNLESS SPECIFIED		6024 SILVER CREEK	
DECIMAL	ANGULAR	VALET ROAD, SAN JOSE, CA 95138	
XX ± .05	±1°	PHONE: (408) 284-8200	
XXX ± .030		FAX: (408) 284-3572	
APPROVALS		WWW.IDT.COM	
DRAWN ADG	DATE 2/17/10	TITLE BH/BHG 580 PACKAGE OUTLINE	
CHECKED		27 x 27 mm BODY	
		1.00 mm PITCH TEPBGA	
SIZE C	DRAWING No. PSC-4303	REV 01	
DO NOT SCALE DRAWING			SHEET 2 OF 2