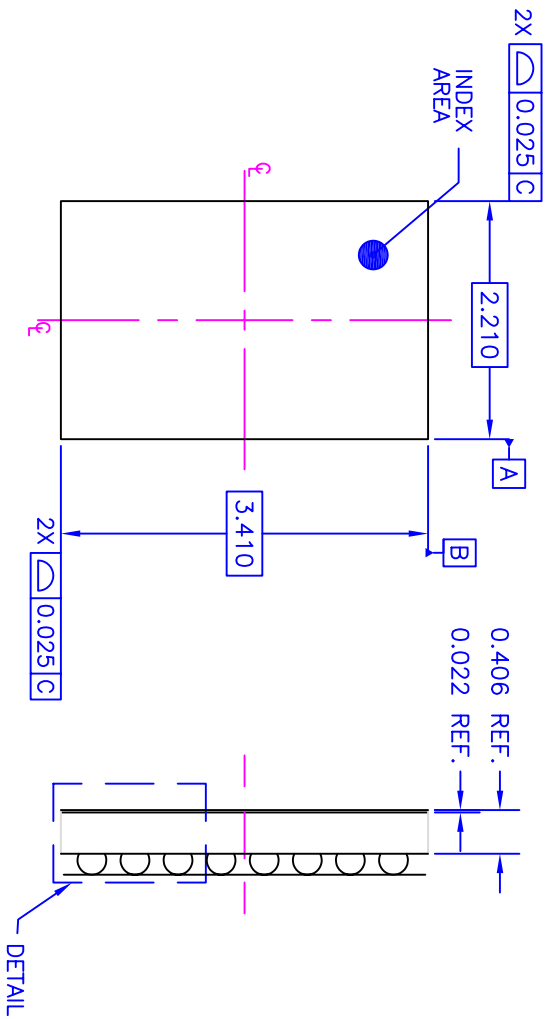


NOTES:

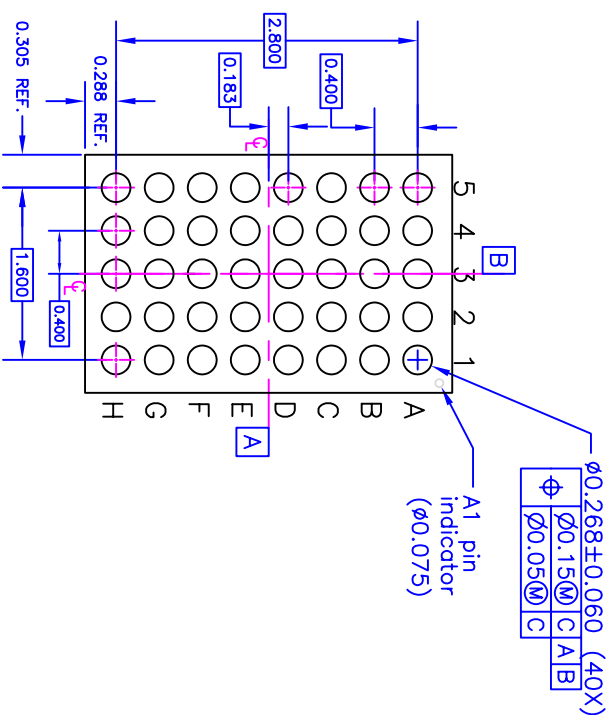
1. ALL DIMENSIONS AND TOLERANCES ARE PER ASME Y14.5M-1994.
 2. ALL DIMENSIONS ARE IN MILLIMETERS.
- △ SEATING PLANE AND PRIMARY DATUM -C- ARE DEFINED BY THE CONTACT POINTS OF THREE OR MORE SOLDER BALLS THAT SUPPORT THE DEVICE WHEN PLACED ON A TOP OF A PLANAR SURFACE.

REVISIONS			
REV	DESCRIPTION	DATE	APPROVED
00	INITIAL RELEASE	05/30/13	JH
01	CORRECT LAND PATTERN DIM	07/18/13	JH

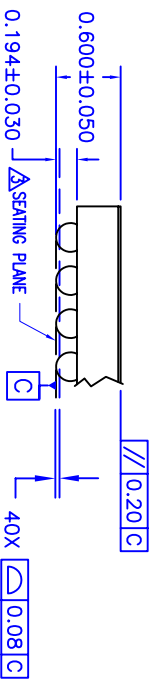
TOP VIEW



BOTTOM VIEW

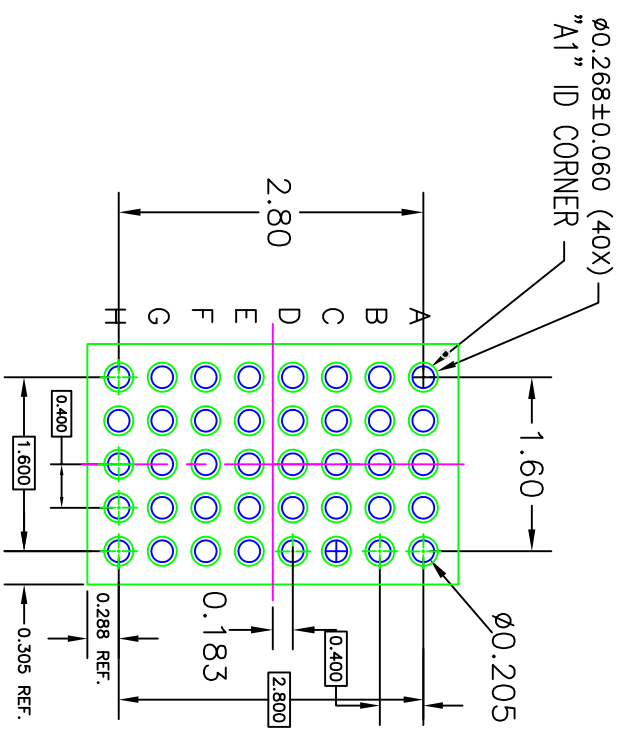


DETAIL A
(ROTATED 90 DEG CW)



TOLERANCES UNLESS SPECIFIED		6024 SILVER CREEK	
DECIMAL	ANGULAR	VALLEY ROAD, SAN JOSE, CA 95138	
XXX± 0.05	±	PHONE: (408) 284-8200	
XXXX± 0.012	XXXX±	FAX: (408) 284-3572	
WWW.IDT.COM		IDT™	
APPROVALS	DATE	TITLE	
DRAWN BY	05/30/13	AHS40 PACKAGE OUTLINE	
CHECKED		2.210 x 3.410 mm BODY	
		0.4mm PITCH D598A	
SIZE	DRAWING No.	REV	
C	PSC-4465	01	
DO NOT SCALE DRAWING			
SHEET 1 OF 2			

REVISIONS			
REV	DESCRIPTION	DATE	APPROVED
00	INITIAL RELEASE	05/30/13	JH
01	CORRECT LAND PATTERN DIM	07/18/13	JH



RECOMMENDED LAND PATTERN DIMENSION

NOTES:

1. ALL DIMENSION ARE IN mm. ANGLES IN DEGREES.
2. TOP DOWN VIEW. AS VIEWED ON PCB.
3. COMPONENT OUTLINE SHOW FOR REFERENCE IN GREEN.
4. LAND PATTERN IN BLUE. NSMD PATTERN ASSUMED.
5. LAND PATTERN RECOMMENDATION PER IDT WL CSP APPLICATION NOTE.

TOLERANCES UNLESS SPECIFIED		6024 SILVER CREEK	
DECIMAL	ANGULAR	VALLEY ROAD, SAN JOSE, CA 95138	
XXX± 0.012	±	PHONE: (408) 284-8200	
XXXX±		FAX: (408) 284-3572	
APPROVALS	DATE	WWW.IDT.COM	
DRAWN BY	06/30/13	IDT	
CHECKED		2210 x 3.410 mm BODY	
		0.4mm PITCH DS86CA	
SIZE	DRAWING No.	PSC-4465	
C		REV 01	
DO NOT SCALE DRAWING		SHEET 2 OF 2	