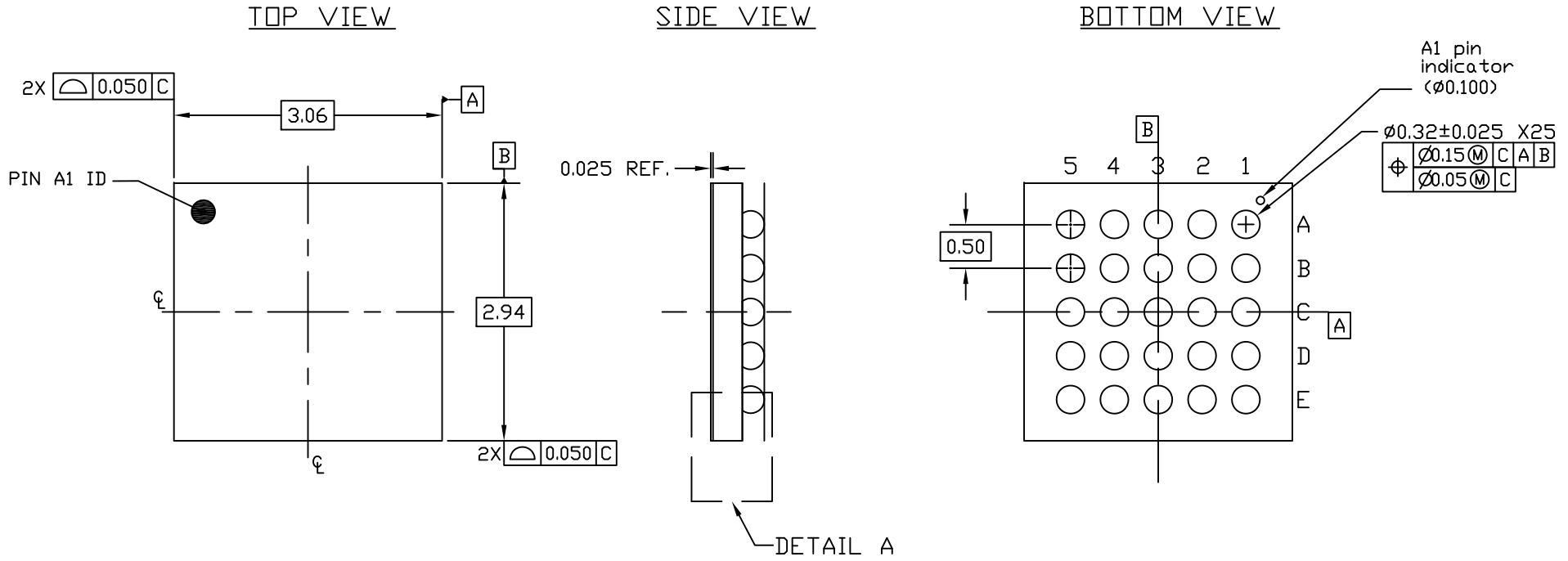


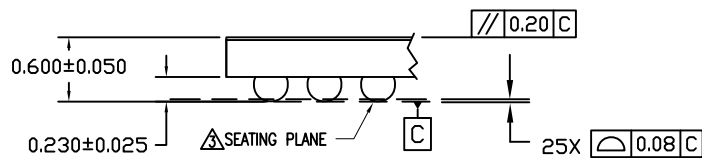
NOTES:

1. ALL DIMENSIONS AND TOLERANCES ARE PER ASME Y14.5M-1994.
 2. ALL DIMENSIONS ARE IN MILLIMETERS.
- △ SEATING PLANE AND PRIMARY DATUM -C- ARE DEFINED BY THE CONTACT POINTS OF THREE OR MORE SOLDER BALLS THAT SUPPORT THE DEVICE WHEN PLACED ON A TOP OF A PLANAR SURFACE.

REVISIONS			
REV	DESCRIPTION	DATE	APPROVED
00	INITIAL RELEASE	8/22/16	JH
01	UPDATE DIE THICKNESS & BUMP HEIGHT	9/15/16	JH

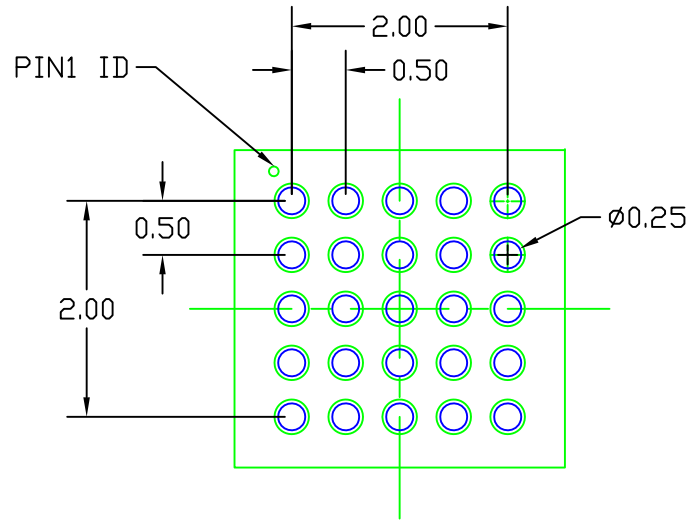


DETAIL A
(ROTATED 90 DEG CW)



TOLERANCES UNLESS SPECIFIED		 www.IDT.com	6024 SILVER CREEK VALLEY ROAD, SAN JOSE, CA 95138 PHONE: (408) 284-8200 FAX: (408) 284-3572	
DECIMAL	ANGULAR		XX± 0.05 ± XXX± 0.012 XXXX±	
APPROVALS	DATE	TITLE		REV
DRAWN <i>jsf</i>	8/18/16	AHG25 PACKAGE OUTLINE		01
CHECKED		3.06 x 2.94 mm BODY		
		0.50 mm PITCH DSBGA		
		SIZE	DRAWING No.	
		C	PSC-4667	
DO NOT SCALE DRAWING			SHEET 1 OF 2	


REVISIONS			
REV	DESCRIPTION	DATE	APPROVED
00	INITIAL RELEASE	8/22/16	JH
01	UPDATE DIE THICKNESS & BUMP HEIGHT	9/15/16	JH



RECOMMENDED LAND PATTERN DIMENSION

NOTES:

1. ALL DIMENSIONS ARE IN MM. ANGLES IN DEGREES.
2. TOP DOWN VIEW AS VIEWED ON PCB.
3. COMPONENT OUTLINE IS SHOWN FOR REFERENCE IN GREEN.
4. LAND PATTERN IN BLUE. NSMD PATTERN ASSUMED.
5. LAND PATTERN RECOMMENDATION PER IPC-7351B GENERIC REQUIREMENT FOR SURFACE MOUNT DESIGN AND LAND PATTERN.

TOLERANCES UNLESS SPECIFIED		 IDT™ 8024 SILVER CREEK VALLEY ROAD, SAN JOSE, CA 95138 PHONE: (408) 284-8200 FAX: (408) 284-3572 www.IDT.com
DECIMAL	ANGULAR	
XX± 0.05	±	
XXX± 0.012		
XXXX±		
APPROVALS	DATE	TITLE
DRAWN <i>gjt</i>	8/18/16	AHG25 PACKAGE OUTLINE 3.06 x 2.94 mm BODY 0.50 mm PITCH DSBGA
CHECKED		
	SIZE	DRAWING No.
	C	PSC-4667
		REV
		01
DO NOT SCALE DRAWING		SHEET 2 OF 2