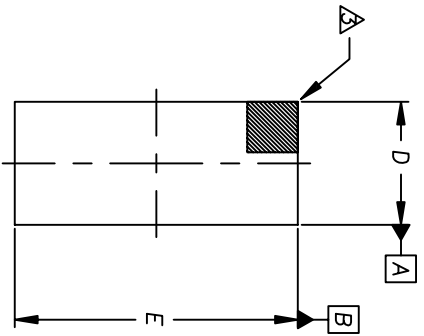
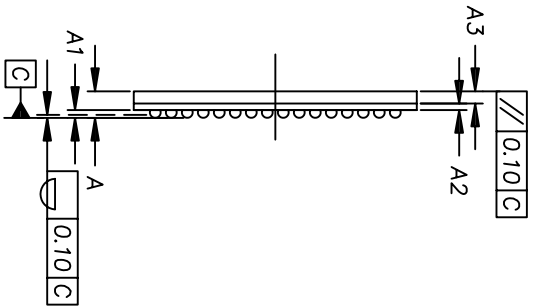


REVISIONS			
REV	DESCRIPTION	DATE	APPROVED
00	INITIAL RELEASE	5/28/09	R.T
01	COMBINE POD & LAND PATTERN	5/15/13	RC

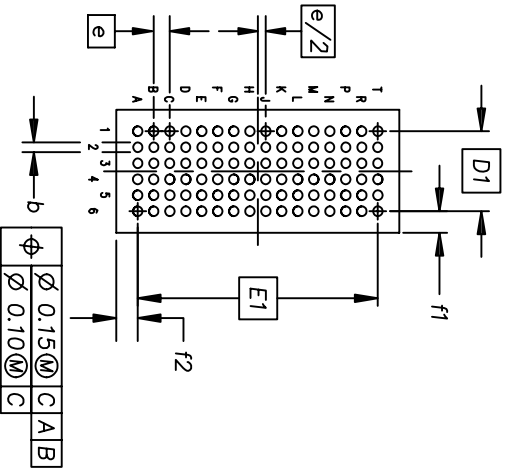


TOP VIEW



SIDE VIEW

SYMBOL	MILLIMETER			INCH		
	MIN	NOM	MAX	MIN	NOM	MAX
A	0.94	1.06	1.18	.037	.042	.046
A1	0.25	0.30	0.35	.010	.012	.014
A2	0.22	0.26	0.30	.007	.010	.012
A3	0.47	0.50	0.53	.019	.020	.021
b	0.35	0.40	0.45	.014	.016	.018
D	4.90	5.00	5.10	.193	.197	.201
D1	3.25 BSC			.128 BSC		
E	11.40	11.50	11.60	.449	.453	.457
E1	9.75 BSC			.384 BSC		
e	0.65 BSC			.026 BSC		
f1	0.775	0.875	0.975	.031	.034	.038
f2	0.775	0.875	0.975	.031	.034	.038

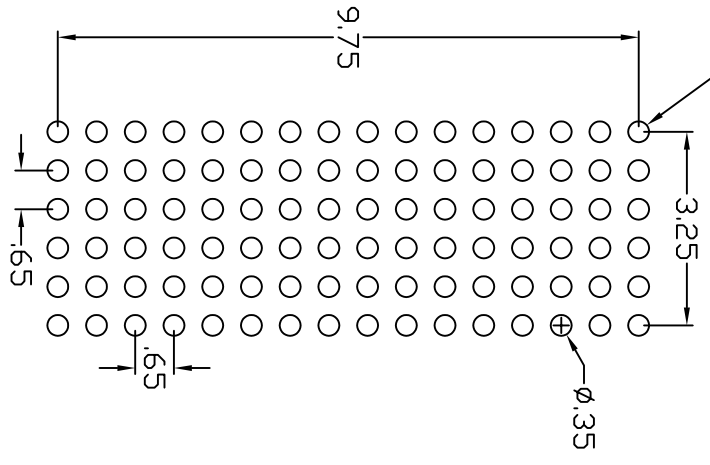


BOTTOM VIEW

- NOTES :
1. DIMENSIONING & TOLERANCING PER ASME Y14.5M - 1994.
 2. CONTROLLING DIMENSIONS ARE IN MM.
 3. DETAILS OF A1 CORNER ARE OPTIONAL, AND MAY CONSIST OF INK DOT, LASER MARK OR METALIZED MARKING, BUT MUST BE LOCATED WITHIN THE ZONE INDICATED.
 4. SOLDER BALLS, ARE NORMALLY A TIN LEAD SOLDER OR LEAD FREE SOLDER.
 5. REFER TO JEDEC OUTLINE MO-207 FOR DATUMS, FEATURES AND DIMENSIONS NOT SHOWN.
 6. PRIMARY DATUM C AND SEATING PLANE ARE DEFINED BY THE SPHERICAL CROWNS OF THE SOLDER BALLS.

TOLERANCES UNLESS SPECIFIED				6024 Silver Creek Valley Rd San Jose, CA 95138 PHONE: (408) 284-8200 FAX: (408) 284-3572	
DECIMAL	ANGULAR	www.IDT.com			
XX± .05	±1°	TITLE AF/AFG 96 PACKAGE OUTLINE 5.0 x 11.5 mm BODY 0.65 mm PITCH CARBGA			
XXX± .030		DATE	5/28/09	SIZE	DRAWING No.
APPROVALS		DRAWN	gdc	C	PSC-4253
CHECKED				DO NOT SCALE DRAWING	SHEET 1 OF 2
				REV	01

"A1" BALL PAD CORNER



RECOMMENDED LAND PATTERN DIMENSION (mm)

- NOTE:
- 1) ALL dimensions are in mm, Angles in degrees.
 - 2) Top down view, as view on PCB.
 - 3) NSMD Land Pattern Assumed
 - 4) Land Pattern Recommendation as per IPC-7351B generic requirement for surface mount design and Land Pattern.

REVISIONS			
REV	DESCRIPTION	DATE	APPROVED
00	Initial Release	01/19/12	RT
01	COMBINE PAD & LAND PATTERN	05/15/13	RC

TOLERANCES UNLESS SPECIFIED		ANGULAR	
DECIMAL	±.1	±1°	
XX.X	.05		
XXXX.	.030		
APPROVALS	DATE	TITLE	
DRAWN: <i>akc</i>	5/28/09	AF/AF096 PACKAGE OUTLINE	
CHECKED		5.0 x 11.5 mm BODY	
		0.65 mm BALL PITCH CARGA	
		SIZE	REV
		C	01
		DO NOT SCALE DRAWING	
		SHEET 2 OF 2	

6024 Silver Creek Valley Road
 San Jose CA 95138
 PHONE: (408) 294-8200
 FAX: (408) 294-3572
 WWW.IDT.COM