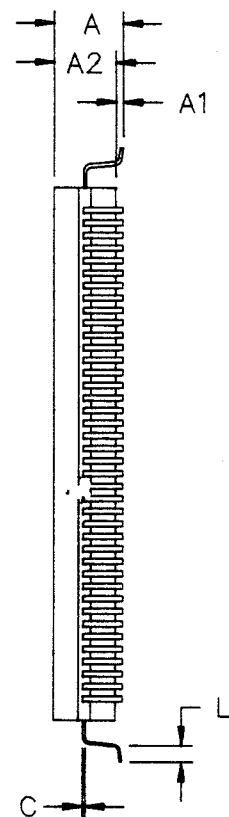
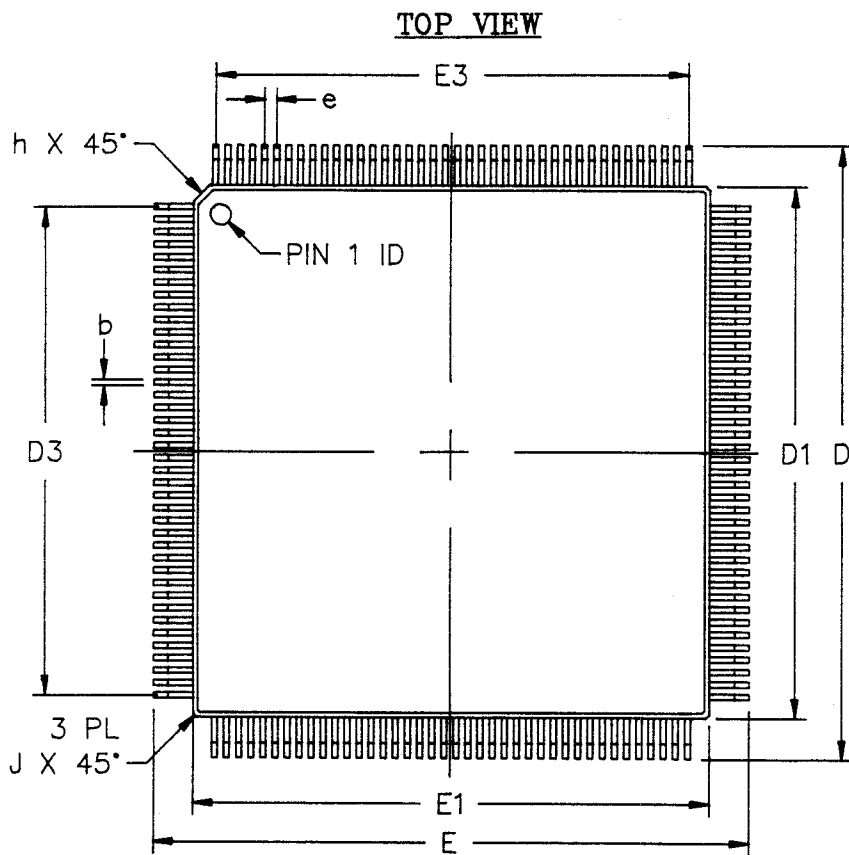


DCN	REV	DESCRIPTION	DATE	APPROVAL
22316	00	ORIGINAL ISSUE	4/6/92	<i>J. Guenther</i>

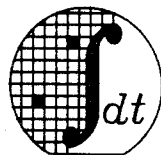


NOTES:

1. ALL DIMENSIONS ARE IN MILLIMETERS, UNLESS OTHERWISE SPECIFIED.
2. BSC - BASIC LEAD SPACING BETWEEN CENTERS.
3. D1 & E1 SHOULD BE MEASURED FORM THE BOTTOM OF THE PACKAGE.
4. ND & NE REPRESENT NUMBER OF LEADS IN D & E DIRECTIONS RESPECTIVELY.

SYMBOLS	MIN	MAX
A	3.50	3.86
A1	.25	.51
A2	3.17	3.43
b	.22	.35
C	.13	.20
D/E	31.70	32.10
D1/E1	27.56	27.72
D3/E3	25.35	BSC
e	.65	BSC
h	.89	REF
J	.20	REF
L	.67	.93
ND/NE	40	

TOLERANCES UNLESS OTHERWISE SPECIFIED
 FRAC DEC ANGLES
 ± - ± - ± -



Integrated Device Technology, Inc.
 2972 Stender WY, Santa Clara, CA 95054
 (408) 727-6116 FAX (408) 492 8512

APPROVALS DATE

DRAWN *AA* 04/92

CHECKED *JH* 4/92

160 LD MQUAD® MKT DWG
 (.65 LD PITCH, GULLWING)

SCALE	SIZE	DRAWING NO.	REV
N/A	A	PSC-4038	00

DO NOT SCALE DRAWING

SHEET 2 OF 2