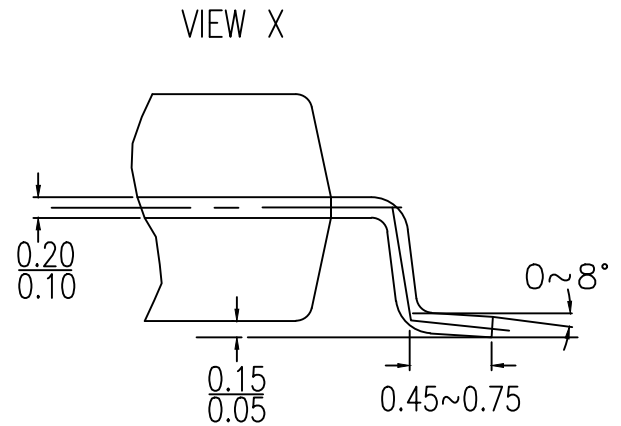
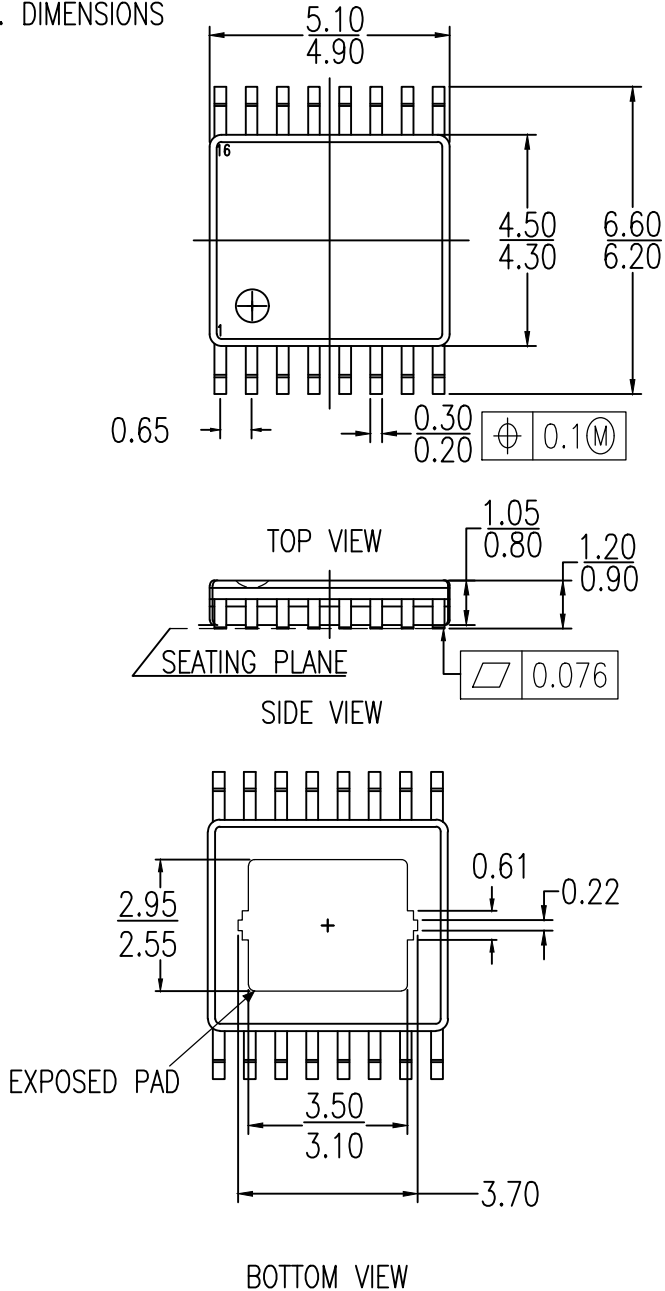


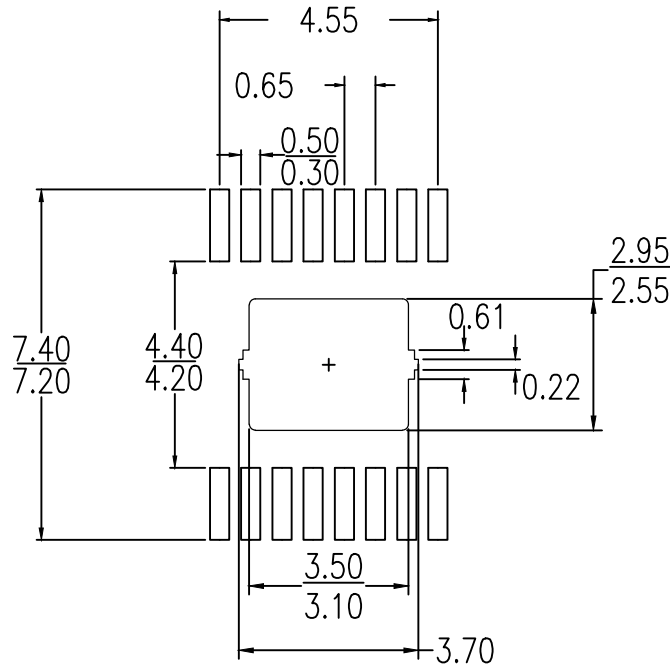
BASED ON JEDEC JEP95: MO-153

1. DIMENSIONS



- 2. WEIGHT ≤ 0.05 g
- 3. BODY MATERIAL LOW STRESS EPOXY
- 4. LEAD MATERIAL Cu-ALLOY
- 5. LEAD FINISH SOLDER PLATING
- 6. LEAD FORM Z-BENDS

\* WITHOUT MOLD FLASH  
DIMENSIONS IN MILLIMETERS



LAND PATTERN DIMENSIONS

NOTE:

1. ALL DIMENSIONS ARE IN MILLIMETERS

Package Revision History		
Date Created	Rev No.	Description
Aug 27, 2021	Rev 03	Turn Off AutoCad SHX Software Setting
Aug 13, 2021	Rev 02	Update Exposed pad tolerance.
April 2, 2020	Rev 01	Update Epad Shape.
Dec 4, 2019	Rev 00	Initial Release