

RL78 Ecosystem Partner Solution

SX-ULPGN – Ultra-Low-Power Wi-Fi IoT Module



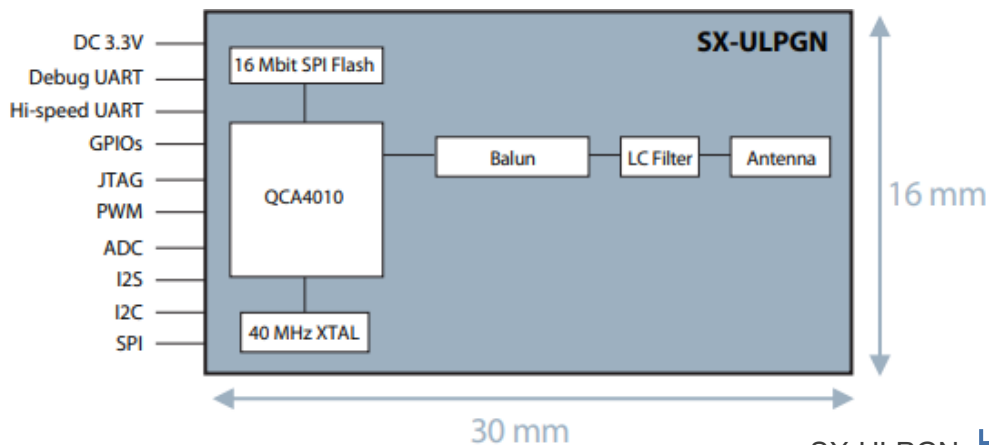
Solution Summary

The SX-ULPGN is an ultra-low-power Wi-Fi IoT module works out-of-box with [RL78 MCUs](#). This low power Wi-Fi IoT module is based on QCA4010 radio from Qualcomm. It is an excellent choice for device OEMs looking to design Wi-Fi connected products in a cost-effective way.

Features/Benefits

- IEEE 802.11b/g/n-compliant (2.4 GHz)
- QCA4010 Radio
- Single Stream System (1x1)
- 20 MHz Integrated RF front end
- PCB trace antenna
- Host-less or hosted stack Options
- Modular Certifications
- AllJoyn support
- Wi-Fi Protected Setup
- IEEE sleep, fast wake-up, low power Rx

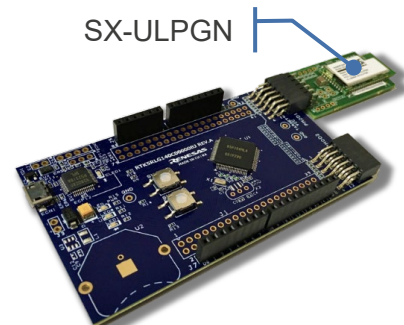
Diagrams/Graphics



SX-ULPGN

Target Markets and Applications

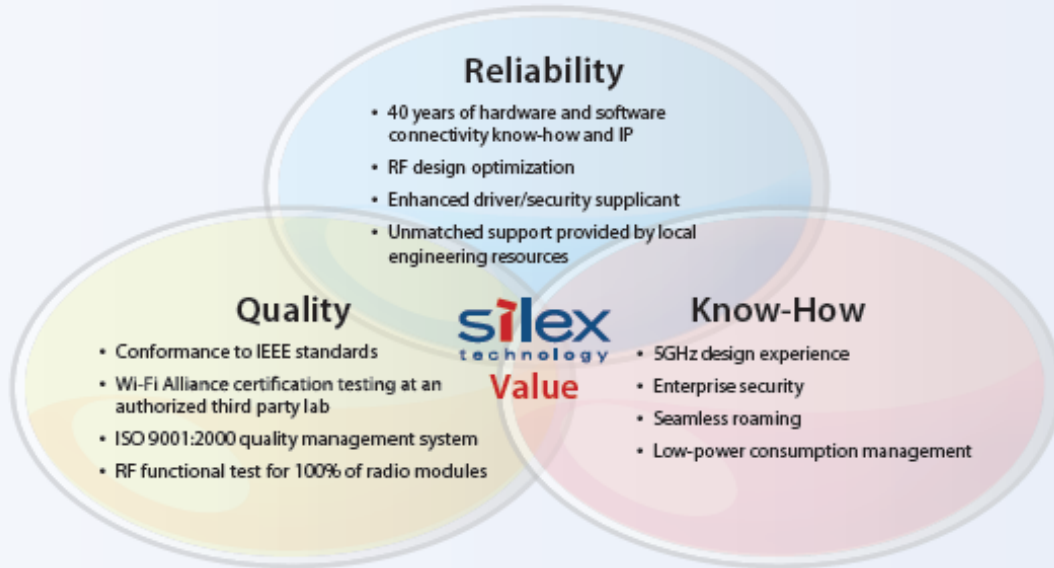
- Smart Building
- Appliances and Remote Controls
- Automation, Smart City
- Lighting



[RL78/G14 Fast Prototyping Board](#) and [Wi-Fi-Pmod-Expansion-Board](#)

<https://www.silextechnology.com/renesas>

Why Choose Silex Technology?



At Silex Technology, our expertise is built on more than 40 years of hardware and software connectivity know-how and IP, custom design development experience, and manufacturing capabilities. With relentless attention to quality, exclusive access to Qualcomm Atheros silicon and expertise, and strategic partnerships with leading real-time operating system (RTOS) and semiconductor providers, we are the trusted leader in reliable Wi-Fi connectivity.

Silex Technology Support from Design through Deployment



Americas
sales@silexamerica.com

Sales and Support
EMEA
sales@silexeurope.com

China
Phone +86 10 6440 3958

Japan
silex@silex.jp
Phone: +81-774-98-3781

Global Distribution

Arrow Electronics Future Electronics Mouser Electronics