

RZ Ecosystem Partner Solution

Silex SX-SDMAC with Bluetooth SDIO Wi-Fi Module



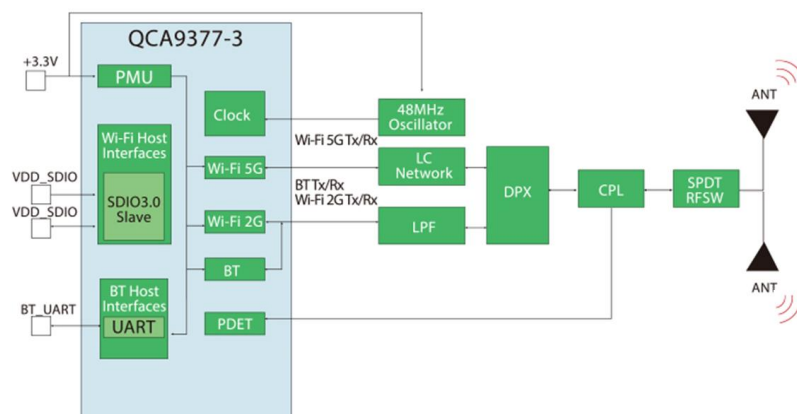
Solution Summary

SX-SDMAC is an SDIO type wireless LAN combo module that supports low power consumption Wi-Fi and Bluetooth. It is equipped with Qualcomm's QCA9377-3 chipset and is compatible with the high-speed communication standard, IEEE802.11ac, enabling high-speed, large data transmission. As it supports a wide temperature range required for industrial uses, it can be used for various products. Using this module with the [RZ/A2M Evaluation Board Kit](#) allows speedy evaluation. [Drivers](#) are also available from the Renesas website.

Features/Benefits

- IEEE 802.11a/b/g/n/ac (2.4 GHz / 5 GHz)
- Qualcomm's QCA9377-3
- Single Stream (1 x 1)
- Maximum PHY Data Rate of 433Mbps (11ac VHT80)
- Host Interface
Wireless LAN: SDIO3.0 / Bluetooth: UART
- Radio Law Certified (Japan, US, Canada, EU)
- Various Module Form Factors: Surface Mount, Connector, SD Card
- Industrial Temperatures (-40C to 85C)

Block Diagram



Target Markets and Applications

- Industrial Devices and Hand-held Terminals
- Video Devices (Surveillance Cameras)
- Smart Home Appliances



RZ/A2M Evaluation Board Kit



SX-SDCAC-2830-SP

Why Choose Silex Technology?



At Silex Technology, our expertise is built on more than 40 years of hardware and software connectivity know-how and IP, custom design development experience, and manufacturing capabilities. With relentless attention to quality, exclusive access to Qualcomm Atheros silicon and expertise, and strategic partnerships with leading real-time operating system (RTOS) and semiconductor providers, we are the trusted leader in reliable Wi-Fi connectivity.

Silex Technology Support from Design through Deployment



Americas
sales@silexamerica.com

Sales and Support
EMEA
sales@silexeurope.com

China
Phone +86 10 6440 3958

Japan
silex@silex.jp
Phone: +81-774-98-3781

Global Distribution

Arrow Electronics Future Electronics Mouser Electronics