

RE Partner Solution

NaitoDensei GNSS Option Board for EK-RE01



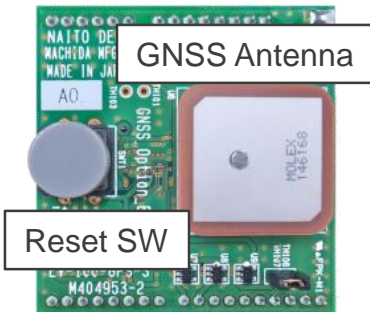
Solution Summary

This is an evaluation option board for acquiring GNSS (Global Navigation Satellite System) information while performing power management with the Renesas [RE01 evaluation kit](#) and GNSS option board ([EV-100-GPS-3](#)).

Features/Benefits

- Sony Semiconductor Solutions' GNSS receiver LSI realizes high-precision positioning with the industry's lowest level of power consumption by using a uniquely designed high-frequency analog circuit and digital signal processing circuit. Enables long-term operation of IoT / wearable products using GPS / GNSS.
- By combining the RE01 evaluation kit with the GNSS option board, you can easily develop a GPS receiver that works with energy harvesting.

Diagrams/Graphics

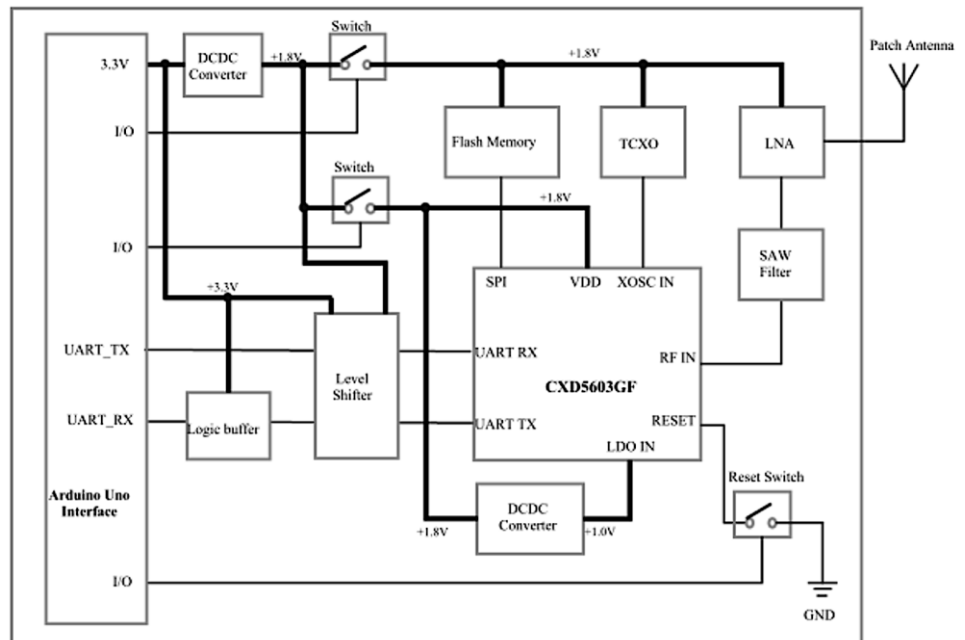


GNSS Antenna

Reset SW



EK-RE01 Interface



Target Markets and Applications

- Smart Agriculture
- Industrial Controls(Disaster prevention, observation)
- Healthcare
- IoT

<https://www.ndk-m.co.jp/evaluation-board/>



NAITODENSEI MACHIDA MFG. CO.,LTD

Company overview

Company Name	NAITO DENSEI MACHIDA MFG.CO.,LTD.
Headquarters Address	4-12-5 Kanamori Machida City, Tokyo 194-0012, Japan
Date of Establishment	October 1965
CEO	Mamoru Nomura
Business Description	Electronic equipment development, design and manufacturing service.
Capital stock	¥100 million
Net Sales	¥2 Billion yen (FY2020)
Number of Employees	215 (as of March 2021)
Home page	https://www.ndk-m.co.jp/
Contact us	Sales Department 1st Sales Group Manager Yoshimasa Oba Mail address : info@ndk-m.co.jp

* Product names and company names described in this Solution Brief are generally trademarks or registered trademarks of each company.

** The contents of this document are subject to change without notice.