

## Off-Line Digital Green-Mode Quasi-Resonant PWM Controller

### 1 Description

The iW1600-03 is a high performance AC/DC power supply controller that uses digital control technology to build peak current mode PWM flyback power supplies. The device directly drives a power BJT and operates in quasi-resonant mode to provide high efficiency along with a number of key built-in protection features while minimizing the external component count, simplifying EMI design, and lowering the total bill of material cost. The iW1600-03 removes the need for secondary feedback circuit while achieving excellent line and load regulation. It also eliminates the need for loop compensation components while maintaining stability over all operating conditions. Pulse-by-pulse waveform analysis allows for a loop response that is much faster than traditional solutions, resulting in improved dynamic load response. The built-in power limit function optimizes transformer design in universal off-line applications and allows for a wide input voltage range.

Renesas' innovative proprietary technology ensures that power supplies built with the iW1600-03 and the secondary-side voltage positioning controller iW600 can achieve both the highest average active efficiency and less than 10mW no-load power consumption, and have fast dynamic load response in a compact form factor in typical 5V/2A 10W applications. The built-in active start-up scheme enables the shortest possible start-up time without sacrificing no-load power loss.

### 2 Features

- Ultra-low no-load power consumption with lowest system costs (< 10mW at 230V<sub>AC</sub> in typical 5V/2A power supplies)
- Fast dynamic response with secondary-side load transient detection without optocoupler
- Built-in fast start-up
- Direct drive of low-cost BJT power switch achieving high efficiency
- Tight constant-voltage and constant-current regulation across line and load range with primary-side feedback and control
- Intelligent low power management achieves ultra-low operating current at no-load
- Proprietary optimized line/load adaptive maximum constant frequency PWM switching with quasi-resonant operation achieves best size, efficiency, and common mode noise
- User-configurable 4-level cable drop compensation provides design flexibility
- **EZ-EMI**<sup>™</sup> design enhances manufacturability
- Adaptive multi-mode PWM/PFM control improves efficiency
- No external loop compensation components required
- Built-in single-point fault protections against output short-circuit, output over-voltage, and output over-current
- On-chip internal over-temperature protection
- No audible noise over entire operating range
- **SmartDefender**<sup>™</sup> smart hiccup technology helps address issues of soft shorts in cables and connectors by effectively reducing the average output power at fault conditions without latch

### 3 Applications

- Compact AC/DC adapterschargers for media tablets and smart phones
- AC/DC adapters for consumer electronics

Off-Line Digital Green-Mode  
Quasi-Resonant PWM Controller

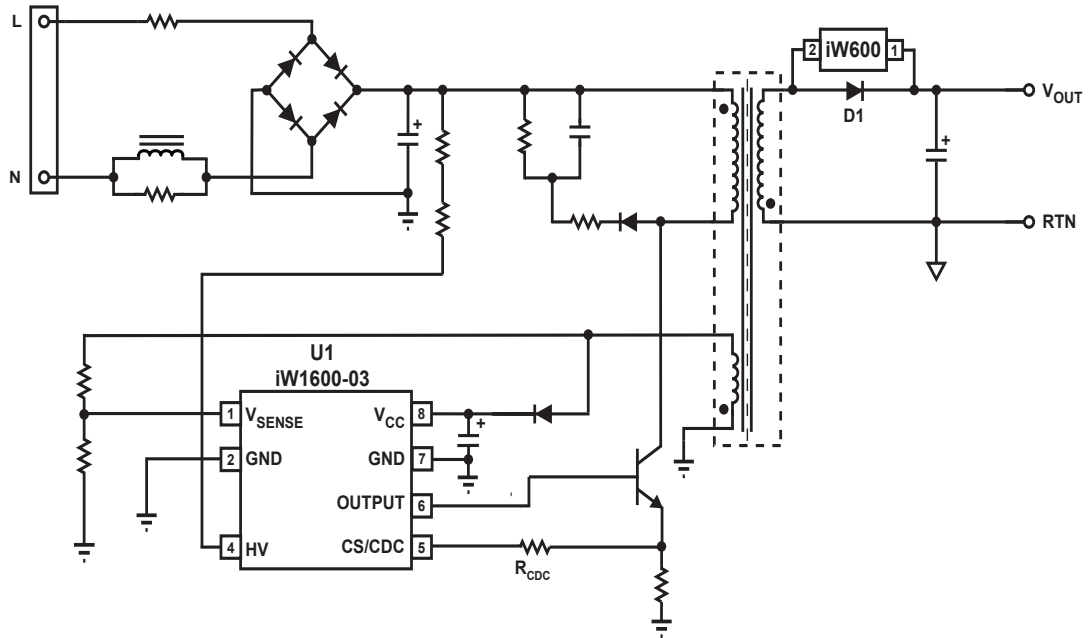


Figure 3.1: iW1600-03 Typical Application Circuit (Achieving < 10mW No-load Power Consumption in 5V/2A 10W Adapter Designs with iW600 Secondary Voltage Position IC)

## Off-Line Digital Green-Mode Quasi-Resonant PWM Controller

### 4 Pinout Description

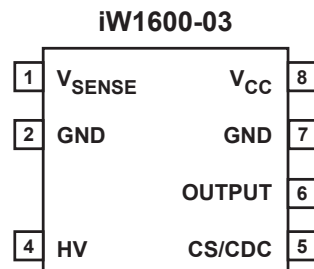


Figure 4.1 : 7 Lead SOIC-7 Package

Pin Number	Pin Name	Type	Pin Description
1	V <sub>SENSE</sub>	Analog Input	Auxiliary voltage sense. Used for primary side regulation and detection of secondary-side load transient signal.
2	GND	Ground	Ground.
4	HV	High Voltage Input	Startup voltage input. Used for active start-up.
5	CS/CDC	Analog Input	Primary current sense and external cable drop compensation (CDC). Used for cycle-by-cycle peak current control and limit in primary-side CV/CC regulation. Also used for CDC configuration.
6	OUTPUT	Output	Base drive for BJT.
7	GND	Ground	Ground.
8	V <sub>CC</sub>	Power Input	IC power supply.

## Off-Line Digital Green-Mode Quasi-Resonant PWM Controller

### 5 Absolute Maximum Ratings

Absolute maximum ratings are the parameter values or ranges which can cause permanent damage if exceeded. For maximum safe operating conditions, refer to Electrical Characteristics in Section 6.

Parameter	Symbol	Value	Units
DC supply voltage range (pin 8, $I_{CC} = 20\text{mA max}$ )	$V_{CC}$	-0.3 to 18.0	V
Continuous DC supply current at $V_{CC}$ pin ( $V_{CC} = 15\text{V}$ )	$I_{CC}$	25	mA
HV output (pin 4)		-0.3 to 600	V
OUTPUT (pin 6)		-0.3 to 4.0	V
$V_{SENSE}$ input (pin 1, $I_{VSENSE} \leq 10\text{mA}$ )		-0.7 to 4.0	V
CS/CDC input (pin 5)		-0.3 to 4.0	V
Maximum junction temperature	$T_{JMAX}$	150	°C
Operating junction temperature	$T_{JOPT}$	-40 to 150	°C
Storage temperature	$T_{STG}$	-65 to 150	°C
Thermal resistance junction-to-ambient	$\theta_{JA}$	100	°C/W
ESD rating per JEDEC JS-001-2017 (except the HV pin) (Note 1)		$\pm 2,000$	V
Latch-up test per JESD78E		$\pm 100$	mA

#### Notes:

Note 1. ESD rating including the HV pin: HBM = 400V.

Off-Line Digital Green-Mode  
Quasi-Resonant PWM Controller

6 Physical Dimensions

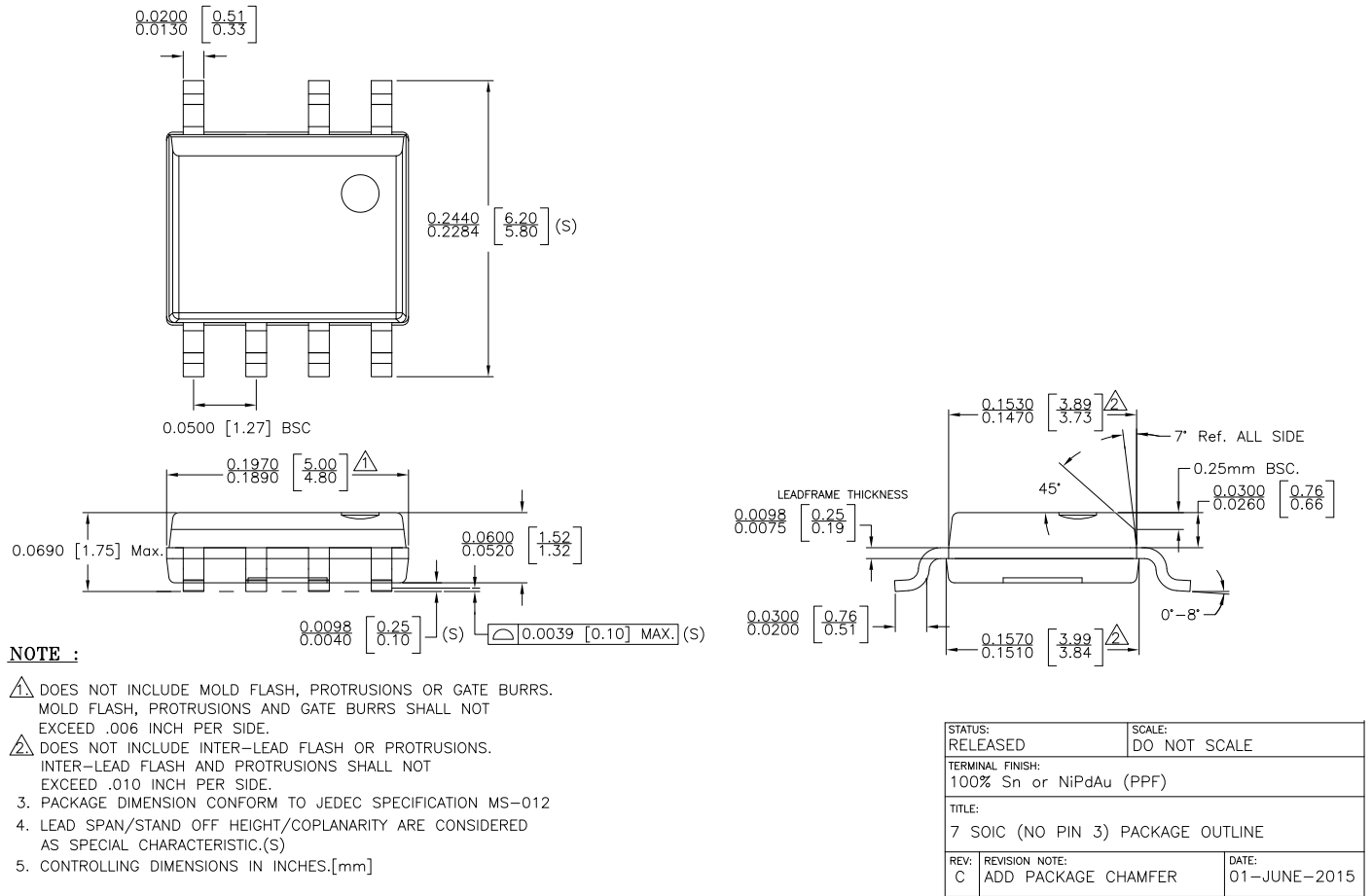


Figure 6.1 : 7-Lead SOIC Package Outline Drawing

7 Ordering Information

Part Number	Options	Package	Description
iW1600-03	No latch, 3.0V CC shutdown voltage, no smart hiccup	SOIC-7	Tape & Reel <sup>1</sup>

Note 1: Tape and reel packing quantity is 2,500/reel. Minimum packing quantity is 2,500.

## Off-Line Digital Green-Mode Quasi-Resonant PWM Controller

### IMPORTANT NOTICE AND DISCLAIMER

RENESAS ELECTRONICS CORPORATION AND ITS SUBSIDIARIES (“RENESAS”) PROVIDES TECHNICAL SPECIFICATIONS AND RELIABILITY DATA (INCLUDING DATASHEETS), DESIGN RESOURCES (INCLUDING REFERENCE DESIGNS), APPLICATION OR OTHER DESIGN ADVICE, WEB TOOLS, SAFETY INFORMATION, AND OTHER RESOURCES “AS IS” AND WITH ALL FAULTS, AND DISCLAIMS ALL WARRANTIES, EXPRESS OR IMPLIED, INCLUDING, WITHOUT LIMITATION, ANY IMPLIED WARRANTIES OF MERCHANTABILITY, FITNESS FOR A PARTICULAR PURPOSE, OR NON-INFRINGEMENT OF THIRD PARTY INTELLECTUAL PROPERTY RIGHTS.

These resources are intended for developers skilled in the art designing with Renesas products. You are solely responsible for (1) selecting the appropriate products for your application, (2) designing, validating, and testing your application, and (3) ensuring your application meets applicable standards, and any other safety, security, or other requirements. These resources are subject to change without notice. Renesas grants you permission to use these resources only for development of an application that uses Renesas products. Other reproduction or use of these resources is strictly prohibited. No license is granted to any other Renesas intellectual property or to any third party intellectual property. Renesas disclaims responsibility for, and you will fully indemnify Renesas and its representatives against, any claims, damages, costs, losses, or liabilities arising out of your use of these resources. Renesas’ products are provided only subject to Renesas’ Terms and Conditions of Sale or other applicable terms agreed to in writing. No use of any Renesas resources expands or otherwise alters any applicable warranties or warranty disclaimers for these products.

© 2022 Renesas Electronics Corporation. All rights reserved.

### RoHS Compliance

Dialog Semiconductor’s suppliers certify that its products are in compliance with the requirements of Directive 2011/65/EU of the European Parliament on the restriction of the use of certain hazardous substances in electrical and electronic equipment. RoHS certificates from our suppliers are available on request.

(Rev.1.0 Mar 2020)

### Corporate Headquarters

TOYOSU FORESIA, 3-2-24 Toyosu  
Koto-ku, Tokyo 135-0061, Japan  
[www.renesas.com](http://www.renesas.com)

### Contact Information

For further information on a product, technology, the most up-to-date version of a document, or your nearest sales office, please visit:  
[www.renesas.com/contact/](http://www.renesas.com/contact/)

### Trademarks

Renesas and the Renesas logo are trademarks of Renesas Electronics Corporation. All trademarks and registered trademarks are the property of their respective owners.