

FEATURES

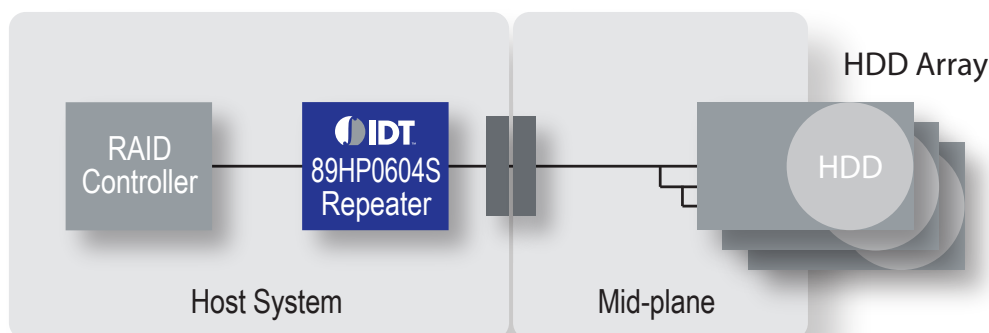
- Compensates for cable and PCB trace attenuation and ISI jitter
- Programmable receiver equalization up to 30db
- Programmable de-emphasis up to -8.5dB
- Recovers data stream even when the differential signal eye is completely closed due to trace attenuation and ISI jitter
- Full SAS / SATA protocol and Out-of-Band (OOB) support
- Configurable via external pins, while extended programming ranges are available via I²C interface
- Supports automatic download of configuration from external EEPROM with a single or multiple repeaters on I²C bus
- Leading edge power minimization in active and shutdown modes
- No external bias resistors or reference clocks required
- Channel mux mode, demux mode, 1 to 2 channels multicast, and Z-switch function mode
- Packages available:
 - Option A Package: 100-ball FPBGA (9x9mm)
 - Option B Package: 36-QFN (4x7.5mm)

Benefits

- Extends maximum cable length to over 10 meters and trace length over 65 inches in SAS / SATA applications
- Speeds up design time by eliminating signal integrity issues
- Minimizes BER, improving system performance and reliability

Applications

- Blade servers, rack servers
- SAS, SATA instrumentation
- Storage systems
- Cabled SAS or SATA devices



Device Overview

The IDT 89HP0604S is a 1.5Gbps to 6Gbps Repeater IC featuring IDT EyeBoost™ technology that compensates for cable and board trace attenuations and ISI jitter, thereby extending connection reach. The 89HP0604S contains four half-duplex data lanes. Each channel consists of an input equalizer and amplifier, signal detection with glitch filter, as well as programmable output swing, slew rate, and de-emphasis with delay control. Since all of these features are user programmable, they allow for application specific optimization.

Besides the per channel programmable features, the 89HP0604S provides global programmable settings-termination resistance values and transfer modes.

The 89HP0604S, with its many programmable receiver and transmitter features, is ideal for the needs of SAS / SATA applications.

All modes of active data transfer are designed with minimized power consumption. Also, a wide selection of power reducing modes allows the user to eliminate power of unused blocks. In full shutdown mode, the part consumes less than 40mW in worst case environmental conditions.

89HP0604S SAS, SATA Compliance

The device was designed to provide end users with features needed to comply with SAS or SATA system application requirements:

- SAS, SATA Out-of-Band (OOB) Support
- Jitter, eye opening, and all other AC and DC specifications

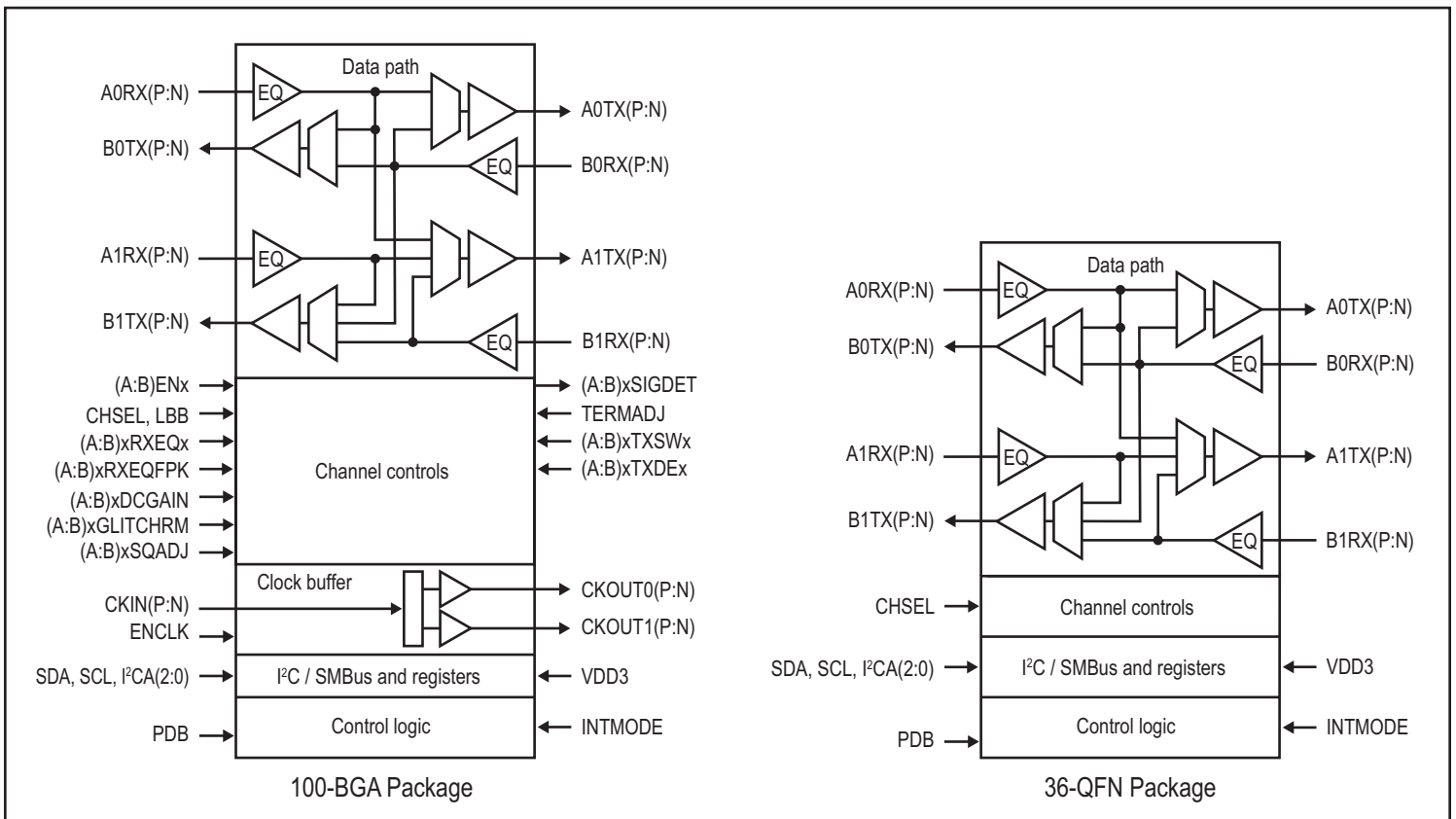
89HP0604S Package Options

The 89HP0604S is offered with two package options as shown in following diagram. The 100-pin BGA package provides extensive pin configuration input and status output features in addition to I²C configuration. The 36-QFN package option requires the I²C slave or local EEPROM for optimized configuration and status reporting.

89HP0604S Block Diagram

The 89HP0604S contains four high speed channels. Each channel can be routed to different outputs. Depending on user configuration via mode selections, input traffic can be muxed, demuxed, or looped back. To facilitate buffering of system clocks, the repeater provides 1:2 clock buffer as shown in the diagram below. Powerdown (PDB) and channel enable input pins (A0EN, etc.) are provided for easy state and channel control. Status output pins are available for monitoring critical states, such as the detection of high speed input signals (A0SIGDET, etc.).

Each channel's configuration and performance can be optimized via programming pins or via the I²C interface (SCL, SDA, A0-A2). The programming option allows the user to optimize the repeater's performance in a wide range of applications, making it an ideal solution for most applications requiring cancellation of trace or cable attenuation and ISI jitter.



89HP0604S Block Diagram

Discover what IDT know-how can do for you: www.IDT.com/go/SIP

DISCLAIMER Integrated Device Technology, Inc. (IDT) and its subsidiaries reserve the right to modify the products and/or specifications described herein at any time and at IDT's sole discretion. All information in this document, including descriptions of product features and performance, is subject to change without notice. Performance specifications and the operating parameters of the described products are determined in the independent state and are not guaranteed to perform the same way when installed in customer products. The information contained herein is provided without representation or warranty of any kind, whether express or implied, including, but not limited to, the suitability of IDT's products for any particular purpose, an implied warranty of merchantability, or non-infringement of the intellectual property rights of others. This document is presented only as a guide and does not convey any license under intellectual property rights of IDT or any third parties. IDT's products are not intended for use in life support systems or similar devices where the failure or malfunction of an IDT product can be reasonably expected to significantly affect the health or safety of users. Anyone using an IDT product in such a manner does so at their own risk, absent an express, written agreement by IDT.

Integrated Device Technology, IDT and the IDT logo are registered trademarks of IDT. Other trademarks and service marks used herein, including protected names, logos and designs, are the property of IDT or their respective third party owners. © Copyright 2011. All rights reserved.

PB_89HP0604S_REV100511