

# DTDS

## RX Ecosystem Partner Solution

# DTDS Inverter Aircon Solution



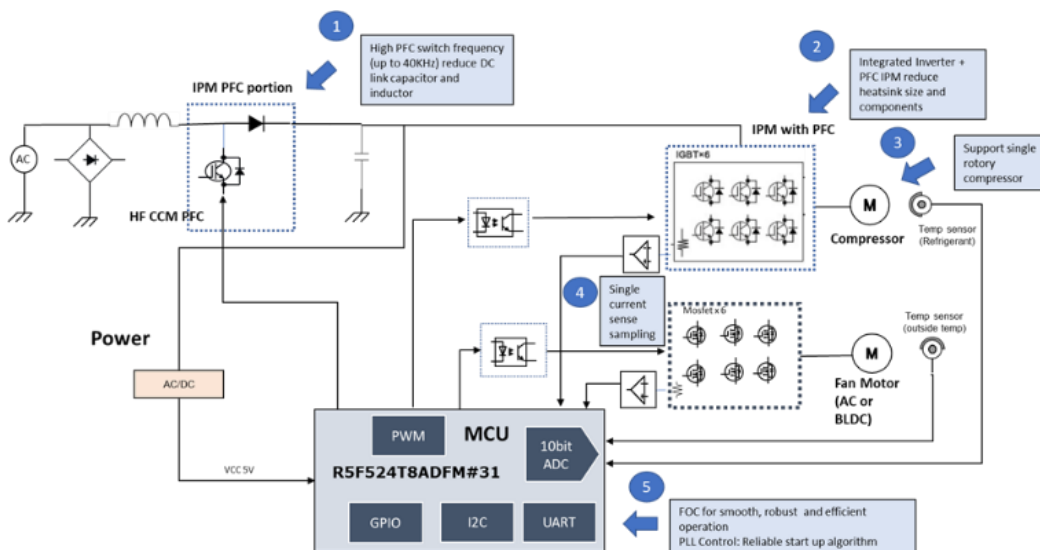
### Solution Summary

DTDS Inverter Aircon Solution adopted [RX24T](#) to control single rotary compressor with integrated IPM (Intelligent Power Module) and software PFC (Power Factor Correction). This production ready, cost optimised solution reduces time to market for inverter motor control compressor applications. It comes with an easy to use motor control system tuning software to help customers optimise their systems. It provides seamless interface to indoor control unit and has an optional onboard BLDC fan driver. Smart failure prediction features can be implemented upon request.

### Features/Benefits

- Field Oriented Control (FOC) with PLL close loop start up
- Built in torque compensation, flux weakening, PLL control
- Motor parameter detection
- Software CCM PFC control reduces overall BOM
- Integrated inverter + PFC IPM
- Support single rotary compressor
- Outdoor fan selection: AC or BLDC fan

### Diagrams/Graphics



### Target Markets and Applications

- Inverter air conditioner
- Inverter cooling system

<https://dtdsgp.com/inverter-aircon-solution/>

# DTDS

DTDS group has diversified businesses in many verticals through its subsidiaries and associate organizations which focus on the entire ecosystem in Electronics Industry.

Prime focus areas are

- Electronics components Distribution
- Independent Design House (IDH)

DTDS Solution Team provides customize electronics design in the area of IoT, Power management and renewable energy applications. Our design include LoRa module, Temperature and humidity sensor, Vibration sensor, Smart water meter, Inverter motor control board

DTDS high voltage lab (HV Lab) in Singapore provides support to customer motor control requirement. DTDS HV lab equips with the necessary testing equipment like AC source, isolated HV current and voltage probe, oscilloscope for motor control and inverter testing.

Web: <http://www.DTDSgp.com>

Contact: [enquiry.asean@dtdsgp.com](mailto:enquiry.asean@dtdsgp.com)

Location: ASEAN/India

