
PRODUCT CHANGE NOTICE

**Data Sheet Specification and
Design Change for Intersil
Product ZL9101MIRZ***

**Refer to:
PCN11118**

Date: November 16, 2011

November 16, 2011

To: Our Valued Intersil Customer

Subject: **Data Sheet Specification and Design Change for Intersil Product ZL9101MIRZ***

This notice is to inform you that Intersil has revised the data sheet electrical specification and implemented a design change for the listed ZL9101MIRZ* products. The new design includes updates to the power stage components resulting in improved efficiency (VIN = 12V and VOUT <2.75V) across the output current range, reduces the output maximum voltage from 4.0V to 3.6V, and incorporates the auto compensation function in the firmware (can be disabled by customer if desired). As a result of these changes, the data sheet specification has been revised to align it with the performance characteristics of the device. The updated data sheet (includes detailed revision history on sheet 16) is available on the Intersil web site at <http://www.intersil.com/data/fn/fn7669.pdf>.

Affected products: **ZL9101MIRZ ZL9101MIRZ-T**

The data sheet electrical table limits and range changes are as follows:

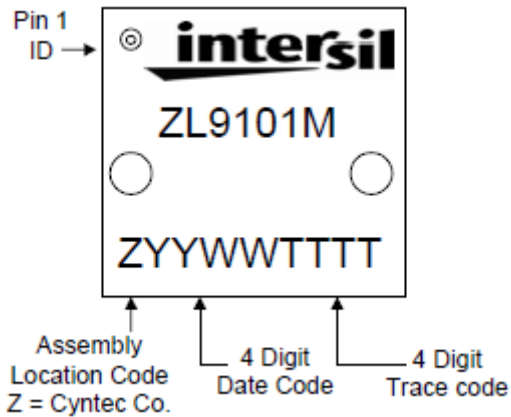
Recommended Operation Conditions	Current Range	New Range
Output Voltage Range, VOUT	0.54V to 4V	0.54V to 3.6V
Output Current Range, IOU	0A to 15A	0A to 12A

Electrical Specifications - Parameter	Current Limit			New Limit			Unit
	Min	Typ	Max	Min	Typ	Max	
Input Bias Shutdown Current, IDDS	-	9.5	12	-	15.5	20	mA
Input Supply Current, IVIN	-	1.5	2	-	1.32	-	A
Driver Supply Current	-	190	220	-	190	250	uA
Output Load Current	Parameter Added			-	12	-	A
Switching Frequency Range	590	615	630	500	571	1000	kHz

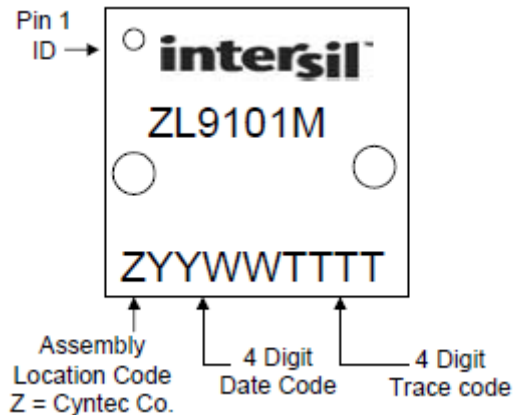
Note: Refer to the revision history contained on sheet 16 of the data sheet for a complete listing of changes to the data sheet.

There will be no change in the part number marked on the packaged parts. Product manufactured with the improved design will begin with date code **1131** and use the new Intersil logo. Examples of the current and new branding/marketing layouts are included below.

Current



New



Intersil will take all necessary actions to conform to agreed upon customer requirements and to ensure the continued high quality and reliability of Intersil products being supplied. Customers may expect to receive product incorporating the listed changes beginning *ninety* days from the date of this notification or earlier with approval.

If you have concerns with this notice, Intersil must hear from you promptly. Please contact the nearest Intersil Sales Office or call the Intersil Corporate line at 1-888-468-3774, in the United States, or 1-321-724-7143 outside of the United States.

Regards,

Jon Brewster

Jon Brewster
Intersil Corporation

PCN11118

CC: J. Touvell G. Parker J. Broline S. Rivet