
PRODUCT CHANGE NOTICE

**Alternate Manufacturing Site
for Assembly of the Listed
Intersil SOT23 Packaged
Products**

**Refer to:
PCN10116**

Date: November 8, 2010

November 8, 2010

To: Our Valued Intersil Customer

Subject: **Alternate Manufacturing Site for Assembly of the Listed Intersil SOT23 Packaged Products** – *Carsem, Ipoh Malaysia (CAM)*

This notice is to inform you that Intersil will begin using the Carsem-M (CAM) facility located in Ipoh, Malaysia as alternate site for assembly of the listed SOT23 packaged products. This action will expand current capabilities and capacities to optimize Intersil's ability to meet customer's delivery requirements. The product and site specific qualification activities are complete.

The Carsem (CAM) facilities are ISO 9001:2008 and ISO/TS 16949:2002 certified and currently qualified as a supplier to Intersil for assembly of SOT23 packaged products. The package outline drawing (POD) will require minor changes to three dimensions and is included for reference. There will be no change in the moisture sensitivity level (MSL). The same material set combinations are used at the current and CAM facilities.

Material	Current	CAM
Mold Compound	Sumitomo EME-G600	Sumitomo EME-G600
Die Attach	Ablebond 84-1LMISR4	Ablebond 84-1LMISR4

The assembly qualification plan was designed using JEDEC and other applicable industry standards to confirm there is no impact to form, fit, function, or interchangeability of the product. A summary of the qualification results are attached for reference. The remainder of the manufacturing operations (wafer fabrication, package level electrical testing, shipment, etc.) will continue to be processed to previously established conditions and systems.

Product affected by this change is identifiable via Intersil's internal traceability system. In addition, product assembled at CAM may also be identified by the assembly site code (country of assembly) when marked on the devices. The assembly site code for the CAM facility is "G".

Intersil will take all necessary actions to conform to customer requirements and to ensure the continued high quality and reliability of Intersil products being supplied. Customers may expect to receive product manufactured at the either the current or the newly qualified sites beginning *ninety* days from the date of this notification or earlier with approval.

If you have concerns with this change notice, Intersil must hear from you promptly. Please contact the nearest Intersil Sales Office or call the Intersil Corporate line at 1-888-468-3774, in the United States, or 1-321-724-7143 outside of the United States.



Jon Brewster
Intersil Corporation

PCN10116

CC: D. Foster J. Touvell D. Decrosta Q. Harris P. Lee

PCN10116 –Qualification Summary

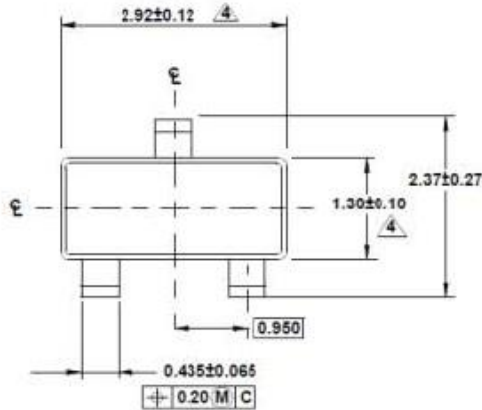
Stress / Conditions	Duration	<i>X60003DIG3Z41</i> 3 Lead SOT23	Comments
Biased HAST 130C/85%RH	96 Hours	ss = 78 from 3 lots	Passed 78/0
Storage Life Ta=+150C	1,000 Hours	ss = 78 from 3 lots	Passed 78/0
Unbiased HAST 130C / 85% RH	96 Hours	ss = 78 from 3 lots	Passed 78/0
Temp Cycle -65C to +150C	500 Cycles	ss = 78 from 3 lots	Passed 78/0
MRT 260C (Pb free) Reflow	L1 PBFREE	ss = 66 from 2 lots	Passed 66/0

PCN100116 - Package Outline Drawing Updates

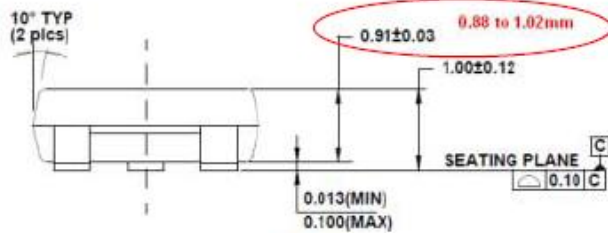
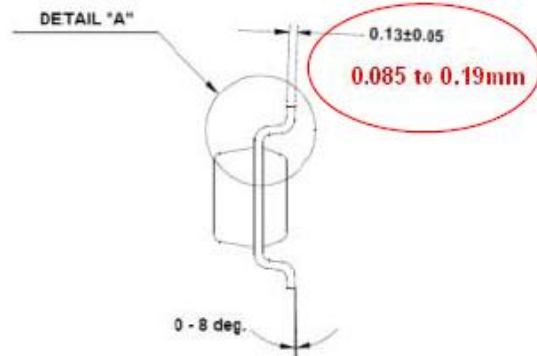
P3.064

3 LEAD SMALL OUTLINE TRANSISTOR PLASTIC PACKAGE (SOT23-3)

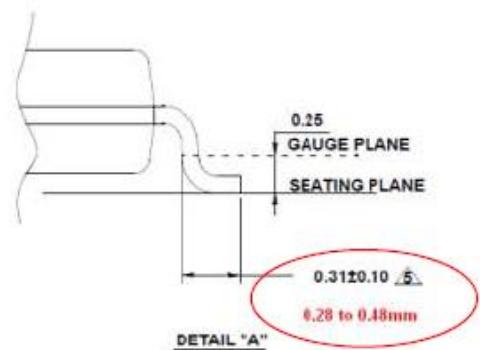
Rev 2, 9/09



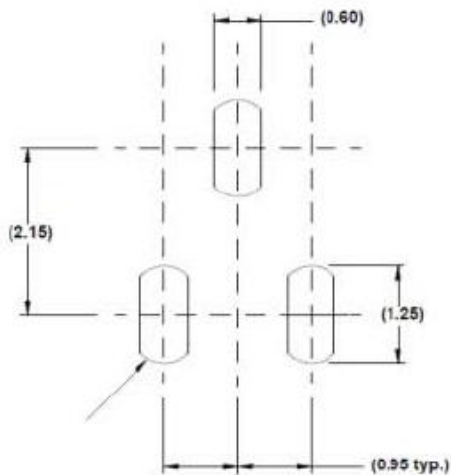
TOP VIEW



SIDE VIEW



DETAIL "A"



TYPICAL RECOMMENDED LAND PATTERN

NOTES:

1. Dimensions are in millimeters. Dimensions in () for Reference Only.
2. Dimensioning and tolerancing conform to AMSEY14.5m-1994.
3. Reference JEDEC TO-236.
4. Dimension does not include interlead flash or protrusions. Interlead flash or protrusions shall not exceed 0.25mm per side.
5. Footlength is measured at reference to gauge plane.

PCN10116 – Product Affected

ISL21032BPH306Z	ISL60002BIH320Z	ISL60002DIH310Z-TK
ISL21032BPH306Z-TK	ISL60002BIH320Z-TK	ISL60002DIH310ZS2490
ISL21032CPH306Z	ISL60002BIH325Z	ISL60002DIH311Z
ISL21032CPH306Z-TK	ISL60002BIH325Z-TK	ISL60002DIH311Z-TK
ISL21032DPH306Z	ISL60002BIH326Z	ISL60002DIH312Z
ISL21032DPH306Z-TK	ISL60002BIH326Z-TK	ISL60002DIH312Z-TK
ISL21070CIH320Z-TK	ISL60002BIH330Z	ISL60002DIH318Z
ISL21070CIH325Z-TK	ISL60002BIH330Z-TK	ISL60002DIH318Z-TK
ISL21070DIH306Z-TK	ISL60002CAH333Z	ISL60002DIH320Z
ISL21070DIH306ZS2378	ISL60002CAH333Z-TK	ISL60002DIH320Z-TK
ISL21080CIH315Z-TK	ISL60002CIH310Z	ISL60002DIH325Z
ISL21080CIH320Z-TK	ISL60002CIH310Z-TK	ISL60002DIH325Z-TK
ISL21080CIH325Z-TK	ISL60002CIH311Z	ISL60002DIH326Z
ISL21080CIH330Z-TK	ISL60002CIH311Z-TK	ISL60002DIH326Z-TK
ISL21080CIH333Z-TK	ISL60002CIH312Z	ISL60002DIH330Z
ISL21080CIH341Z-TK	ISL60002CIH312Z-TK	ISL60002DIH330Z-TK
ISL21080CIH350Z-TK	ISL60002CIH312ZR5232	X60003BIG3Z-41
ISL21080DIH309Z-TK	ISL60002CIH318Z	X60003BIG3Z-41T1
ISL21080DIH310Z-TK	ISL60002CIH318Z-TK	X60003BIG3Z-50
ISL21080DIH312Z-TK	ISL60002CIH320Z	X60003BIG3Z-50T1
ISL60002BAH333Z	ISL60002CIH320Z-TK	X60003CIG3Z-41
ISL60002BAH333Z-TK	ISL60002CIH325Z	X60003CIG3Z-41T1
ISL60002BIH310Z	ISL60002CIH325Z-TK	X60003CIG3Z-50
ISL60002BIH310Z-TK	ISL60002CIH326Z	X60003CIG3Z-50T1
ISL60002BIH311Z	ISL60002CIH326Z-TK	X60003DIG3Z-41
ISL60002BIH311Z-TK	ISL60002CIH330Z	X60003DIG3Z-41T1
ISL60002BIH312Z	ISL60002CIH330Z-TK	X60003DIG3Z-50
ISL60002BIH312Z-TK	ISL60002DAH333Z	X60003DIG3Z-50T1
ISL60002BIH318Z	ISL60002DAH333Z-TK	
ISL60002BIH318Z-TK	ISL60002DIH310Z	