

**Product Change Notice (PCN)**

**Subject:** Change in test process for RH850/P1x, E1x, C1x, E2x series (alternative PKG Burn-in)

**Publication Date:** 7/25/2024

**Effective Date:** 1/31/2025

**Revision Description:** Initial release

**Description of Change:**

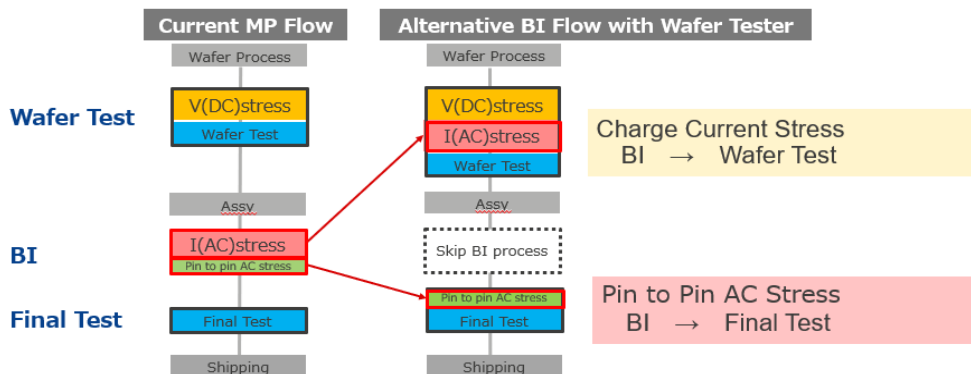
RENESAS plans to change the burn-in process to secure a stable supply of RH850 / P1x, E1x, C1x, E2x series products. Please approve the following changes.

**Target Products:** RH850/P1x, E1x, C1x, E2x series

Summary of changes: The following are the details.

**TEST PROCESS CHANGE (ALTERNATIVE BURN-IN)**

This change replaces the stress test which checked out initial failures in Current BI Flow to Wafer Test and Final Test.



**Affected Product List:** Please refer to “Appendix”.

**Reason for Change:** For stable supply of products.

**Impact on Fit, Form, Function, Quality & Reliability:**

The change will have no impact on the form, fit, function, quality, reliability, and environmental compliance of the devices.

**Product Identification:**

These products can be identified by T/C code on the packing label. Please contact Renesas sales representatives for the T/C code.

**Qualification Status:** Not Applicable

**Sample Availability Date:** Not Applicable

**Device Material Declaration:** Not Applicable

## Note:

1. Acknowledgement must be received by Renesas within 30 days or Renesas will consider the change as approved.
2. If timely acknowledgement is provided by Customer, then Customer shall have 90 days from the date of receipt of this PCN to make any objections to this PCN. If Customer fails to make objections to this PCN within 90 days of the receipt of the PCN then Renesas will consider the PCN changes as approved.
3. If customer cannot accept the PCN then customer must provide Renesas with a last time buy demand and purchase order.

**For additional information regarding this notice, please contact your Renesas sales representative.**

## Appendix

### Product list

#### P1x series

R7F701371EABG-C#BC1	R7F701372AEABG-C#AC1	R7F701372AEABG-C#BC1
R7F701304EAFP-C#BA1	R7F701304EAFP-C#KA1	R7F701304GAFA-C#BA1
R7F701304GAFA-C#KA1	R7F701305EAFP-C#BA1	R7F701305EAFP-C#KA1
R7F701310EAFP-C#BA1	R7F701310EAFP-C#BA4	R7F701310EAFP-C#KA1
R7F701310EAFP-C#KA4	R7F701310GAFA-C#BA1	R7F701310GAFA-C#BA4
R7F701310GAFA-C#KA1	R7F701310GAFA-C#KA4	R7F701311EAFP-C#BA1
R7F701311EAFP-C#KA1	R7F701312EAFP-C#BA1	R7F701312EAFP-C#KA1
R7F701312GAFA-C#BA1	R7F701312GAFA-C#KA1	R7F701313EAFP-C#BA1
R7F701313EAFP-C#KA1	R7F701314EAFP-C#BA1	R7F701314EAFP-C#KA1
R7F701314GAFA-C#BA1	R7F701314GAFA-C#KA1	R7F701315EAFP-C#BA1
R7F701315EAFP-C#KA1	R7F701318EAFP-C#BA1	R7F701318EAFP-C#KA1
R7F701318GAFA-C#BA1	R7F701318GAFA-C#KA1	R7F701319EAFP-C#BA1
R7F701319EAFP-C#KA1	R7F701320EAFP-C#BA1	R7F701320EAFP-C#KA1
R7F701320GAFA-C#BA1	R7F701320GAFA-C#KA1	R7F701321EAFP-C#BA1
R7F701321EAFP-C#KA1	R7F701322EAFP-C#BA1	R7F701322EAFP-C#KA1
R7F701322GAFA-C#BA1	R7F701322GAFA-C#KA1	R7F701323EAFP-C#BA1
R7F701323EAFP-C#KA1	R7F701362EAFP-C#BA1	R7F701362EAFP-C#KA1
R7F701362GAFA-C#BA1	R7F701362GAFA-C#KA1	R7F701363EAFP-C#BA1
R7F701363EAFP-C#BAT	R7F701363EAFP-C#KA1	R7F701363EAFP-C#KAT
R7F701364EAFP-C#BA1	R7F701364EAFP-C#KA1	R7F701364GAFA-C#BA1
R7F701364GAFA-C#KA1	R7F701365EAFP-C#BA1	R7F701365EAFP-C#KA1
R7F701366EAFP-C#BA1	R7F701366EAFP-C#KA1	R7F701366GAFA-C#BA1
R7F701366GAFA-C#KA1	R7F701367EAFP-C#BA1	R7F701367EAFP-C#KA1
R7F701310EXXXAFP-C#KA4	R7F701310EY01AFP-C#KA4	R7F701318EXXXAFP-C#KA1
R7F701318EY03AFP-C#KA1	R7F701318EY04AFP-C#KA1	R7F701362EXXXAFP-C#KA1
R7F701362EY05AFP-C#KA1	R7F701362EY06AFP-C#KA1	R7F701375EAFP-C#BA2
R7F701375EAFP-C#KA2	R7F701376EAFP-C#BA2	R7F701376EAFP-C#KA2
R7F701376GAFA-C#BA2	R7F701376GAFA-C#KA2	R7F701377EAFP-C#BA2
R7F701377EAFP-C#KA2	R7F701378EAFP-C#BA2	R7F701378EAFP-C#KA2
R7F701378GAFA-C#BA2	R7F701378GAFA-C#KA2	R7F701379EAFP-C#BA2
R7F701379EAFP-C#KA2	R7F701380EAFP-C#BA2	R7F701380EAFP-C#KA2
R7F701380GAFA-C#BA2	R7F701380GAFA-C#KA2	R7F701381EAFP-C#BA2
R7F701381EAFP-C#KA2	R7F701382EAFP-C#BA2	R7F701382EAFP-C#KA2
R7F701382GAFA-C#BA2	R7F701382GAFA-C#KA2	R7F701383EAFP-C#BA2
R7F701383EAFP-C#KA2	R7F701384EAFP-C#BA2	R7F701384EAFP-C#KA2
R7F701384GAFA-C#BA2	R7F701384GAFA-C#KA2	R7F701385EAFP-C#BA2

R7F701385EAFP-C#KA2	R7F701386EAFP-C#BA2	R7F701386EAFP-C#KA2
R7F701386GAFA-C#BA2	R7F701386GAFA-C#KA2	R7F701378EXXAFF-C#KA2
R7F701378EY02AFP-C#KA2	—	—

**E1x series**

R7F701201EA01AFA#BC0	R7F701201EA01AFP#BC0	R7F701201EA02AFA#BC0
R7F701201EABG-C#BC0	R7F701201EAFA#BC0	R7F701201EAFA#BC1
R7F701201EAFP#BC0	R7F701205EABG-C#BC0	R7F701205EAFA#BC0
R7F701205EAFA#BC1	R7F701205EAFP#BC0	R7F701202EA01ABA-C#BC0
R7F701202EA01ABA-C#BC1	R7F701202EABA-C#BC0	R7F701202EABA-C#BC1
R7F701202EABG-C#BC0	R7F701202EABG-C#BC1	R7F701204EABA-C#BC0
R7F701204EABA-C#BC1	R7F701204EABG-C#BC0	R7F701204EABG-C#BC1
R7F701207EABG-C#BC0	R7F701207EABG-C#BC1	R7F701215EABA-C#BC0
R7F701215EABG-C#BC0	R7F701216EABA-C#BC0	R7F701216EABG-C#BC0
R7F701A42EABG-C#BC0	R7F701A43EABG-C#BC0	—

**C1x series**

R7F701268EA01ABG#BC0	R7F701268EA01ABG-C#BC4	R7F701270EABG#BC0
R7F701270EABG-C#BC4	R7F701270EABG-C#HC4	R7F701271EAFP#BC0
R7F701271EAFP#BC4	R7F701275EABG-C#BC0	R7F701275EABG-C#BC4
R7F701275EABG-C#BC6	R7F701275EABG-C#HC4	R7F701275EABG-C#HC6
R7F701278EAFP#BC0	R7F701278EAFP#BC4	R7F701278EAFP#BC6
R7F701283EA01ABG-C#BC0	R7F701283EA01ABG-C#BC4	—

**E2x series**

R7F702002AEABG-C#BC0	R7F702002AEABA-C#BC0	R7F702003AEABA-C#BC0
R7F702004AEABG-C#BC0	R7F702004AEABA-C#BC0	R7F702005AEABG-C#BC0