

## Product Change Notice (PCN)

**Subject:** Change of the amount of storage and tape width for T&R in the RH850/F1, R1, D1 and P1 series.

**Publication Date:** 8/31/2023

**Effective Date:** 1/10/2024

**Revision Description:** Initial release

### Description of Change:

Renesas plans to change the amount of storage for products whose packing type is Tape and Reel(T&R) in the RH850/F1, R1, D1 and P1 series. Both Part Number and the unit of order quantity will be changed based on this change. In addition, Renesas plans to change the tape width of Emboss Tape for LQFP100pin products. Please refer to the following for detail.

#### 1. Change of the amount of storage

##### 1.1 RH850/F1, R1 and D1 series

RH850/F1, R1 and D1 Series	The unit of order quantity Current (pcs/Reel)	The unit of order quantity After Change (pcs/Reel)
LQFP 64pin	1000	1500
LQFP 80pin	1000	1400
LQFP 176pin	400	700

##### 1.2 RH850/P1 series

RH850/P1 Series	The unit of order quantity Current (pcs/Reel)	The unit of order quantity After Change (pcs/Reel)
LQFP 80pin	1000	1500
LQFP 100pin	1000	1400

Part Number: One character after "#" in Part Number is changed: #K (or H) --> #T (or R).

Please refer to "Appendix" for the Part Number before/after change.

#### 2. Change of Emboss Tape

RH850/F1, R1 and D1 Series	Current: Emboss Tape Width(mm)	After Change: Emboss Tape Width(mm)
LQFP 100pin	32	24

Please refer to "Appendix" for the comparison with current products.

Please refer to "Appendix" for the Part Number.

**Affected Product List:** Please refer to "Product List" in "Appendix".

**Reason for Change:** To reduce the generation of waste materials.

### Impact on Fit, Form, Function, Quality & Reliability:

The change will have no impact on the form, fit, function, quality and reliability of the devices.

### Product Identification:

Change of the amount of storage: Each product can be identified through Part Number.

Change of Emboss Tape: Information about production history in Renesas can be inquired with Trace Code of each product, and please contact Renesas' sales representatives.

**Qualification Status:** N/A

**Sample Availability Date:** N/A

**Device Material Declaration:** N/A

Note:

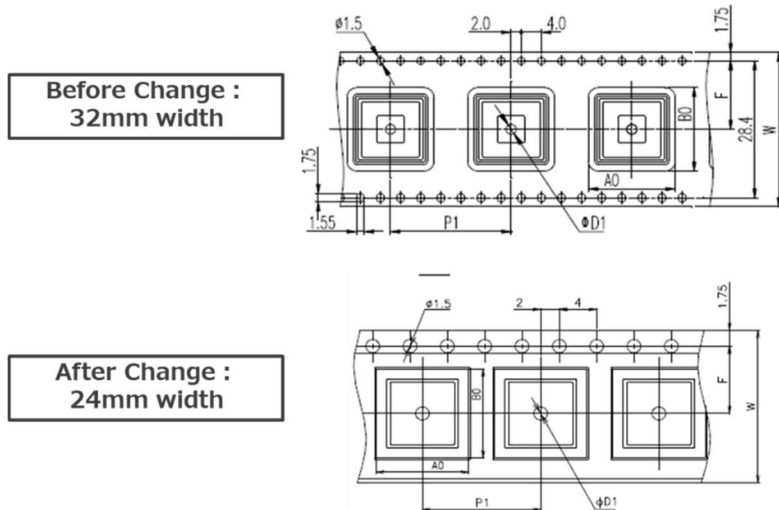
1. Acknowledgement must be received by Renesas within 30 days or Renesas will consider the change as approved.
2. If timely acknowledgement is provided by Customer, then Customer shall have 90 days from the date of receipt of this PCN to make any objections to this PCN. If Customer fails to make objections to this PCN within 90 days of the receipt of the PCN then Renesas will consider the PCN changes as approved.
3. If customer cannot accept the PCN then customer must provide Renesas with a last time buy demand and purchase order.

**For additional information regarding this notice, please contact your Renesas sales representative.**

Appendix:

Change Point

Change of Emboss Tape



	Before Change	After Change
W	32.0	24.0
P1	24.0	24.0
A0	17.3	16.5
B0	17.3	16.5
F	14.2	11.50
D1	2.0	2.0

Change of the amount of storage: Product List(After/Before Change)

RH850/F1 series

Current	After Change	Current	After Change
R7F7010073AFP-C#KA4	R7F7010073AFP-C#TA4	R7F7010574AFP-C#KA4	R7F7010574AFP-C#TA4
R7F7010074AFP-C#KA4	R7F7010074AFP-C#TA4	R7F701A013AFP-C#KA4	R7F701A013AFP-C#TA4
R7F7010323AFP-C#KA4	R7F7010323AFP-C#TA4	R7F701A014AFP-C#KA4	R7F701A014AFP-C#TA4
R7F7010324AFP-C#KA4	R7F7010324AFP-C#TA4	R7F7010113AFP-C#KA4	R7F7010113AFP-C#TA4
R7F7010333AFP-C#KA4	R7F7010333AFP-C#TA4	R7F7010113AFP-C#KA8	R7F7010113AFP-C#TA8
R7F7010334AFP-C#KA4	R7F7010334AFP-C#TA4	R7F7010114AFP-C#KA4	R7F7010114AFP-C#TA4
R7F7010343AFP-C#KA4	R7F7010343AFP-C#TA4	R7F7010123AFP-C#KA4	R7F7010123AFP-C#TA4
R7F7010344AFP-C#KA4	R7F7010344AFP-C#TA4	R7F7010123AFP-C#KA8	R7F7010123AFP-C#TA8
R7F7010503AFP-C#KA4	R7F7010503AFP-C#TA4	R7F7010124AFP-C#KA4	R7F7010124AFP-C#TA4
R7F7010504AFP-C#KA4	R7F7010504AFP-C#TA4	R7F7010124AFP-C#KAT	R7F7010124AFP-C#TAT
R7F7010513AFP-C#KA4	R7F7010513AFP-C#TA4	R7F7010133AFP-C#KA4	R7F7010133AFP-C#TA4
R7F7010514AFP-C#KA4	R7F7010514AFP-C#TA4	R7F7010133AFP-C#KA8	R7F7010133AFP-C#TA8
R7F7010523AFP-C#KA4	R7F7010523AFP-C#TA4	R7F7010134AFP-C#KA4	R7F7010134AFP-C#TA4
R7F7010523AFP-C#KA8	R7F7010523AFP-C#TA8	R7F7010134AFP-C#KAT	R7F7010134AFP-C#TAT
R7F7010524AFP-C#KA4	R7F7010524AFP-C#TA4	R7F7010163AFP-C#KA4	R7F7010163AFP-C#TA4
R7F7010533AFP-C#KA4	R7F7010533AFP-C#TA4	R7F7010164AFP-C#KA4	R7F7010164AFP-C#TA4
R7F7010533AFP-C#KA8	R7F7010533AFP-C#TA8	R7F7010173AFP-C#KA4	R7F7010173AFP-C#TA4
R7F7010534AFP-C#KA4	R7F7010534AFP-C#TA4	R7F7010174AFP-C#KA4	R7F7010174AFP-C#TA4
R7F7010563AFP-C#KA4	R7F7010563AFP-C#TA4	R7F7010183AFP-C#KA4	R7F7010183AFP-C#TA4
R7F7010564AFP-C#KA4	R7F7010564AFP-C#TA4	R7F7010184AFP-C#KA4	R7F7010184AFP-C#TA4
R7F7010573AFP-C#KA4	R7F7010573AFP-C#TA4	R7F701A373AFP-C#KA4	R7F701A373AFP-C#TA4

Current	After Change	Current	After Change
R7F701A374AFP-C#KA4	R7F701A374AFP-C#TA4	R7F7010523AFE-C#KA4	R7F7010523AFE-C#TA4
R7F701A383AFP-C#KA4	R7F701A383AFP-C#TA4	R7F7010523AFE-C#KA8	R7F7010523AFE-C#TA8
R7F701A384AFP-C#KA4	R7F701A384AFP-C#TA4	R7F7010524AFE-C#KA4	R7F7010524AFE-C#TA4
R7F701A403AFP-C#KA4	R7F701A403AFP-C#TA4	R7F7010533AFE-C#KA4	R7F7010533AFE-C#TA4
R7F701A404AFP-C#KA4	R7F701A404AFP-C#TA4	R7F7010533AFE-C#KA8	R7F7010533AFE-C#TA8
R7F701A413AFP-C#KA4	R7F701A413AFP-C#TA4	R7F7010534AFE-C#KA4	R7F7010534AFE-C#TA4
R7F701A414AFP-C#KA4	R7F701A414AFP-C#TA4	R7F7010563AFE-C#KA4	R7F7010563AFE-C#TA4
R7F7010143AFP-C#KA2	R7F7010143AFP-C#TA2	R7F7010564AFE-C#KA4	R7F7010564AFE-C#TA4
R7F7010144AFP-C#KA2	R7F7010144AFP-C#TA2	R7F7010573AFE-C#KA4	R7F7010573AFE-C#TA4
R7F7010153AFP-C#KA2	R7F7010153AFP-C#TA2	R7F7010574AFE-C#KA4	R7F7010574AFE-C#TA4
R7F7010154AFP-C#KA2	R7F7010154AFP-C#TA2	R7F701A013AFE-C#KA4	R7F701A013AFE-C#TA4
R7F7010193AFP-C#KA2	R7F7010193AFP-C#TA2	R7F701A014AFE-C#KA4	R7F701A014AFE-C#TA4
R7F7010194AFP-C#KA2	R7F7010194AFP-C#TA2	R7F7010193AFP-C#KA9	R7F7010193AFP-C#TA9
R7F7010203AFP-C#KA2	R7F7010203AFP-C#TA2	R7F7015463AFP-C#KA3	R7F7015463AFP-C#TA3
R7F7010204AFP-C#KA2	R7F7010204AFP-C#TA2	R7F7015464AFP-C#KA3	R7F7015464AFP-C#TA3
R7F7010403AFP-C#KA2	R7F7010403AFP-C#TA2	R7F7015473AFP-C#KA3	R7F7015473AFP-C#TA3
R7F7010403AFP-C#KA5	R7F7010403AFP-C#TA5	R7F7015474AFP-C#KA3	R7F7015474AFP-C#TA3
R7F7010404AFP-C#KA2	R7F7010404AFP-C#TA2	R7F7015573AFP-C#KA3	R7F7015573AFP-C#TA3
R7F7010413AFP-C#KA2	R7F7010413AFP-C#TA2	R7F7015574AFP-C#KA3	R7F7015574AFP-C#TA3
R7F7010414AFP-C#KA2	R7F7010414AFP-C#TA2	R7F7015663AFP-C#KA3	R7F7015663AFP-C#TA3
R7F7010423AFP-C#KA2	R7F7010423AFP-C#TA2	R7F7015664AFP-C#KA3	R7F7015664AFP-C#TA3
R7F7010423AFP-C#KAT	R7F7010423AFP-C#TAT	R7F7015673AFP-C#KA3	R7F7015673AFP-C#TA3
R7F7010424AFP-C#KA2	R7F7010424AFP-C#TA2	R7F7015674AFP-C#KA3	R7F7015674AFP-C#TA3
R7F7010424AFP-C#KAT	R7F7010424AFP-C#TAT	R7F7015773AFP-C#KA3	R7F7015773AFP-C#TA3
R7F7010433AFP-C#KA2	R7F7010433AFP-C#TA2	R7F7015774AFP-C#KA3	R7F7015774AFP-C#TA3
R7F7010434AFP-C#KA2	R7F7010434AFP-C#TA2	R7F7015863AFP-C#KA3	R7F7015863AFP-C#TA3
R7F7010133AFP-C#KA9	R7F7010133AFP-C#TA9	R7F7015864AFP-C#KA3	R7F7015864AFP-C#TA3
R7F7010073AFE-C#KA4	R7F7010073AFE-C#TA4	R7F7015873AFP-C#KA3	R7F7015873AFP-C#TA3
R7F7010074AFE-C#KA4	R7F7010074AFE-C#TA4	R7F7015874AFP-C#KA3	R7F7015874AFP-C#TA3
R7F7010323AFE-C#KA4	R7F7010323AFE-C#TA4	R7F7015973AFP-C#KA3	R7F7015973AFP-C#TA3
R7F7010324AFE-C#KA4	R7F7010324AFE-C#TA4	R7F7015974AFP-C#KA3	R7F7015974AFP-C#TA3
R7F7010333AFE-C#KA4	R7F7010333AFE-C#TA4	R7F7016873AFP-C#KA1	R7F7016873AFP-C#TA1
R7F7010334AFE-C#KA4	R7F7010334AFE-C#TA4	R7F7016874AFP-C#KA1	R7F7016874AFP-C#TA1
R7F7010343AFE-C#KA4	R7F7010343AFE-C#TA4	R7F7016883AFP-C#KA1	R7F7016883AFP-C#TA1
R7F7010344AFE-C#KA4	R7F7010344AFE-C#TA4	R7F7016884AFP-C#KA1	R7F7016884AFP-C#TA1
R7F7010503AFE-C#KA4	R7F7010503AFE-C#TA4	R7F7016893AFP-C#KA1	R7F7016893AFP-C#TA1
R7F7010504AFE-C#KA4	R7F7010504AFE-C#TA4	R7F7016894AFP-C#KA1	R7F7016894AFP-C#TA1
R7F7010513AFE-C#KA4	R7F7010513AFE-C#TA4	R7F7016903AFP-C#KA1	R7F7016903AFP-C#TA1
R7F7010514AFE-C#KA4	R7F7010514AFE-C#TA4	R7F7016904AFP-C#KA1	R7F7016904AFP-C#TA1

Current	After Change	Current	After Change
R7F7016913AFP-C#KA1	R7F7016913AFP-C#TA1	R7F7015484AFE-C#KA6	R7F7015484AFE-C#TA6
R7F7016914AFP-C#KA1	R7F7016914AFP-C#TA1	R7F7015493AFE-C#KA2	R7F7015493AFE-C#TA2
R7F7016923AFP-C#KA1	R7F7016923AFP-C#TA1	R7F7015494AFE-C#KA2	R7F7015494AFE-C#TA2
R7F7016924AFP-C#KA1	R7F7016924AFP-C#TA1	R7F7015683AFE-C#KA2	R7F7015683AFE-C#TA2
R7F7016483AFP-C#KA1	R7F7016483AFP-C#TA1	R7F7015684AFE-C#KA2	R7F7015684AFE-C#TA2
R7F7016493AFP-C#KA1	R7F7016493AFP-C#TA1	R7F7015693AFE-C#KA2	R7F7015693AFE-C#TA2
R7F7017083AFP-C#KA1	R7F7017083AFP-C#TA1	R7F7015694AFE-C#KA2	R7F7015694AFE-C#TA2
R7F7017093AFP-C#KA1	R7F7017093AFP-C#TA1	R7F701A293AFE-C#KA2	R7F701A293AFE-C#TA2
R7F7015013AFP-C#KA2	R7F7015013AFP-C#TA2	R7F701A303AFE-C#KA2	R7F701A303AFE-C#TA2
R7F7015014AFP-C#KA2	R7F7015014AFP-C#TA2	R7F7015013AFE-C#KA2	R7F7015013AFE-C#TA2
R7F7015023AFP-C#KA2	R7F7015023AFP-C#TA2	R7F7015014AFE-C#KA2	R7F7015014AFE-C#TA2
R7F7015024AFP-C#KA2	R7F7015024AFP-C#TA2	R7F7015023AFE-C#KA2	R7F7015023AFE-C#TA2
R7F7015263AFP-C#KA2	R7F7015263AFP-C#TA2	R7F7015024AFE-C#KA2	R7F7015024AFE-C#TA2
R7F7015264AFP-C#KA2	R7F7015264AFP-C#TA2	R7F701A243AFE-C#KA2	R7F701A243AFE-C#TA2
R7F7015273AFP-C#KA2	R7F7015273AFP-C#TA2	R7F701A244AFE-C#KA2	R7F701A244AFE-C#TA2
R7F7015274AFP-C#KA2	R7F7015274AFP-C#TA2	R7F7015463AFE-C#KA3	R7F7015463AFE-C#TA3
R7F7015483AFP-C#KA2	R7F7015483AFP-C#TA2	R7F7015464AFE-C#KA3	R7F7015464AFE-C#TA3
R7F7015484AFP-C#KA2	R7F7015484AFP-C#TA2	R7F7015473AFE-C#KA3	R7F7015473AFE-C#TA3
R7F7015484AFP-C#KA6	R7F7015484AFP-C#TA6	R7F7015474AFE-C#KA3	R7F7015474AFE-C#TA3
R7F7015493AFP-C#KA2	R7F7015493AFP-C#TA2	R7F7015573AFE-C#KA3	R7F7015573AFE-C#TA3
R7F7015494AFP-C#KA2	R7F7015494AFP-C#TA2	R7F7015574AFE-C#KA3	R7F7015574AFE-C#TA3
R7F7015683AFP-C#KA2	R7F7015683AFP-C#TA2	R7F7015663AFE-C#KA3	R7F7015663AFE-C#TA3
R7F7015684AFP-C#KA2	R7F7015684AFP-C#TA2	R7F7015664AFE-C#KA3	R7F7015664AFE-C#TA3
R7F7015693AFP-C#KA2	R7F7015693AFP-C#TA2	R7F7015673AFE-C#KA3	R7F7015673AFE-C#TA3
R7F7015694AFP-C#KA2	R7F7015694AFP-C#TA2	R7F7015674AFE-C#KA3	R7F7015674AFE-C#TA3
R7F701A243AFP-C#KA2	R7F701A243AFP-C#TA2	R7F7015773AFE-C#KA3	R7F7015773AFE-C#TA3
R7F701A244AFP-C#KA2	R7F701A244AFP-C#TA2	R7F7015774AFE-C#KA3	R7F7015774AFE-C#TA3
R7F701A293AFP-C#KA2	R7F701A293AFP-C#TA2	R7F7015863AFE-C#KA3	R7F7015863AFE-C#TA3
R7F701A303AFP-C#KA2	R7F701A303AFP-C#TA2	R7F7015864AFE-C#KA3	R7F7015864AFE-C#TA3
R7F7015223AFP#KA9	R7F7015223AFP#TA9	R7F7015873AFE-C#KA3	R7F7015873AFE-C#TA3
R7F7015224AFP#KA9	R7F7015224AFP#TA9	R7F7015874AFE-C#KA3	R7F7015874AFE-C#TA3
R7F701A594AFP-C#KA1	R7F701A594AFP-C#TA1	R7F7015973AFE-C#KA3	R7F7015973AFE-C#TA3
R7F701A604AFP-C#KA1	R7F701A604AFP-C#TA1	R7F7015974AFE-C#KA3	R7F7015974AFE-C#TA3
R7F701A594AFE-C#KA1	R7F701A594AFE-C#TA1	R7F7016483AFE-C#KA1	R7F7016483AFE-C#TA1
R7F701A604AFE-C#KA1	R7F701A604AFE-C#TA1	R7F7016493AFE-C#KA1	R7F7016493AFE-C#TA1
R7F701A594AFD-C#KA1	R7F701A594AFD-C#TA1	R7F7010073AFD-C#KA4	R7F7010073AFD-C#TA4
R7F701A604AFD-C#KA1	R7F701A604AFD-C#TA1	R7F7010074AFD-C#KA4	R7F7010074AFD-C#TA4
R7F7015483AFE-C#KA2	R7F7015483AFE-C#TA2	R7F7010323AFD-C#KA4	R7F7010323AFD-C#TA4
R7F7015484AFE-C#KA2	R7F7015484AFE-C#TA2	R7F7010324AFD-C#KA4	R7F7010324AFD-C#TA4

Current	After Change	Current	After Change
R7F7010333AFD-C#KA4	R7F7010333AFD-C#TA4	R7F7015464AFD-C#KA3	R7F7015464AFD-C#TA3
R7F7010334AFD-C#KA4	R7F7010334AFD-C#TA4	R7F7015473AFD-C#KA3	R7F7015473AFD-C#TA3
R7F7010343AFD-C#KA4	R7F7010343AFD-C#TA4	R7F7015474AFD-C#KA3	R7F7015474AFD-C#TA3
R7F7010344AFD-C#KA4	R7F7010344AFD-C#TA4	R7F7015573AFD-C#KA3	R7F7015573AFD-C#TA3
R7F7010503AFD-C#KA4	R7F7010503AFD-C#TA4	R7F7015574AFD-C#KA3	R7F7015574AFD-C#TA3
R7F7010504AFD-C#KA4	R7F7010504AFD-C#TA4	R7F7015663AFD-C#KA3	R7F7015663AFD-C#TA3
R7F7010513AFD-C#KA4	R7F7010513AFD-C#TA4	R7F7015664AFD-C#KA3	R7F7015664AFD-C#TA3
R7F7010514AFD-C#KA4	R7F7010514AFD-C#TA4	R7F7015673AFD-C#KA3	R7F7015673AFD-C#TA3
R7F7010523AFD-C#KA4	R7F7010523AFD-C#TA4	R7F7015674AFD-C#KA3	R7F7015674AFD-C#TA3
R7F7010523AFD-C#KA8	R7F7010523AFD-C#TA8	R7F7015773AFD-C#KA3	R7F7015773AFD-C#TA3
R7F7010524AFD-C#KA4	R7F7010524AFD-C#TA4	R7F7015774AFD-C#KA3	R7F7015774AFD-C#TA3
R7F7010533AFD-C#KA4	R7F7010533AFD-C#TA4	R7F7015863AFD-C#KA3	R7F7015863AFD-C#TA3
R7F7010533AFD-C#KA8	R7F7010533AFD-C#TA8	R7F7015864AFD-C#KA3	R7F7015864AFD-C#TA3
R7F7010534AFD-C#KA4	R7F7010534AFD-C#TA4	R7F7015873AFD-C#KA3	R7F7015873AFD-C#TA3
R7F7010563AFD-C#KA4	R7F7010563AFD-C#TA4	R7F7015874AFD-C#KA3	R7F7015874AFD-C#TA3
R7F7010564AFD-C#KA4	R7F7010564AFD-C#TA4	R7F7015973AFD-C#KA3	R7F7015973AFD-C#TA3
R7F7010573AFD-C#KA4	R7F7010573AFD-C#TA4	R7F7015974AFD-C#KA3	R7F7015974AFD-C#TA3
R7F7010574AFD-C#KA4	R7F7010574AFD-C#TA4	R7F7016483AFD-C#KA1	R7F7016483AFD-C#TA1
R7F701A013AFD-C#KA4	R7F701A013AFD-C#TA4	R7F7016493AFD-C#KA1	R7F7016493AFD-C#TA1
R7F701A014AFD-C#KA4	R7F701A014AFD-C#TA4	R7F7017643AFP-C#KA1	R7F7017643AFP-C#TA1
R7F7015483AFD-C#KA2	R7F7015483AFD-C#TA2	R7F7010183AFP-C#KA9	R7F7010183AFP-C#TA9
R7F7015484AFD-C#KA2	R7F7015484AFD-C#TA2	R7F701A673AFP-C#KA1	R7F701A673AFP-C#TA1
R7F7015484AFD-C#KA6	R7F7015484AFD-C#TA6	R7F701A683AFP-C#KA1	R7F701A683AFP-C#TA1
R7F7015493AFD-C#KA2	R7F7015493AFD-C#TA2	R7F701A693AFP-C#KA1	R7F701A693AFP-C#TA1
R7F7015494AFD-C#KA2	R7F7015494AFD-C#TA2	R7F701A703AFP-C#KA1	R7F701A703AFP-C#TA1
R7F7015683AFD-C#KA2	R7F7015683AFD-C#TA2	R7F701A713AFP-C#KA1	R7F701A713AFP-C#TA1
R7F7015684AFD-C#KA2	R7F7015684AFD-C#TA2	R7F701A723AFP-C#KA1	R7F701A723AFP-C#TA1
R7F7015693AFD-C#KA2	R7F7015693AFD-C#TA2	R7F7017643AFE-C#KA1	R7F7017643AFE-C#TA1
R7F7015694AFD-C#KA2	R7F7015694AFD-C#TA2	R7F7017643AFD-C#KA1	R7F7017643AFD-C#TA1
R7F701A293AFD-C#KA2	R7F701A293AFD-C#TA2	R7F701A763AFP-C#KA1	R7F701A763AFP-C#TA1
R7F701A303AFD-C#KA2	R7F701A303AFD-C#TA2	R7F701A793AFP-C#KA1	R7F701A793AFP-C#TA1
R7F7015013AFD-C#KA2	R7F7015013AFD-C#TA2	R7F701A803AFP-C#KA1	R7F701A803AFP-C#TA1
R7F7015014AFD-C#KA2	R7F7015014AFD-C#TA2	R7F701687FAFP-C#KA1	R7F701687FAFP-C#TA1
R7F7015023AFD-C#KA2	R7F7015023AFD-C#TA2	R7F701688FAFP-C#KA1	R7F701688FAFP-C#TA1
R7F7015024AFD-C#KA2	R7F7015024AFD-C#TA2	R7F701689FAFP-C#KA1	R7F701689FAFP-C#TA1
R7F701A243AFD-C#KA2	R7F701A243AFD-C#TA2	R7F701690FAFP-C#KA1	R7F701690FAFP-C#TA1
R7F701A244AFD-C#KA2	R7F701A244AFD-C#TA2	R7F701691FAFP-C#KA1	R7F701691FAFP-C#TA1
R7F7015463AFD-C#KA3	R7F7015463AFD-C#TA3	R7F701692FAFP-C#KA1	R7F701692FAFP-C#TA1

### RH850/R1 series

Current	After Change	Current	After Change
R7F7010603AFP-C#KA4	R7F7010603AFP-C#TA4	R7F701A033AFP-C#KA8	R7F701A033AFP-C#TA8
R7F7010623AFP-C#KA4	R7F7010623AFP-C#TA4	R7F7010643AFP-C#KA2	R7F7010643AFP-C#TA2
R7F701A023AFP-C#KA8	R7F701A023AFP-C#TA8	R7F7010643AFP-C#KA8	R7F7010643AFP-C#TA8

### RH850/D1 series

Current	After Change	Current	After Change
R7F701403EAFB-C#KA1	R7F701403EAFB-C#TA1	R7F701403EAFE-C#KA1	R7F701403EAFE-C#TA1
R7F701423EAFB-C#KA1	R7F701423EAFB-C#TA1	R7F701423EAFE-C#KA1	R7F701423EAFE-C#TA1
R7F701442EAFB-C#KA0	R7F701442EAFB-C#TA0	R7F701423EAFE-C#KA9	R7F701423EAFE-C#TA9
R7F701462EAFB-C#KA0	R7F701462EAFB-C#TA0	R7F701403E***AFE-C#KA1	R7F701403E***AFE-C#TA1
R7F701423EAFB-C#KA9	R7F701423EAFB-C#TA9	R7F701423E***AFE-C#KA1	R7F701423E***AFE-C#TA1
R7F701462EAFB-C#KA9	R7F701462EAFB-C#TA9	R7F701423E***AFE-C#KA9	R7F701423E***AFE-C#TA9
R7F701403E***AFB-C#KA1	R7F701403E***AFB-C#TA1	R7F701403EAFD-C#KA1	R7F701403EAFD-C#TA1
R7F701423E***AFB-C#KA1	R7F701423E***AFB-C#TA1	R7F701423EAFD-C#KA1	R7F701423EAFD-C#TA1
R7F701442E***AFB-C#KA0	R7F701442E***AFB-C#TA0	R7F701423EAFD-C#KA9	R7F701423EAFD-C#TA9
R7F701462E***AFB-C#KA0	R7F701462E***AFB-C#TA0	R7F701403E***AFD-C#KA1	R7F701403E***AFD-C#TA1
R7F701423E***AFB-C#KA9	R7F701423E***AFB-C#TA9	R7F701423E***AFD-C#KA1	R7F701423E***AFD-C#TA1
R7F701462E***AFB-C#KA9	R7F701462E***AFB-C#TA9	R7F701423E***AFD-C#KA9	R7F701423E***AFD-C#TA9

" \*\*\*" means ROM code.

### RH850/P1L-C series

Current	After Change	Current	After Change
R7F701389EAFP-C#HA1	R7F701389EAFP-C#RA1	R7F701390EAFP-C#HA1	R7F701390EAFP-C#RA1
R7F701391EAFP-C#HA1	R7F701391EAFP-C#RA1		

### Change of Emboss Tape: Product List

#### RH850/F1 series

R7F7010023AFP-C#KA4	R7F7010653AFP-C#KA4	R7F701A364AFP-C#KA4	R7F7010444AFP-C#KA2
R7F7010024AFP-C#KA4	R7F7010673AFP-C#KA4	R7F7010033AFP-C#KA2	R7F7010453AFP-C#KA2
R7F7010213AFP-C#KA4	R7F701A083AFP-C#KA4	R7F7010034AFP-C#KA2	R7F7010454AFP-C#KA2
R7F7010214AFP-C#KA4	R7F701A323AFP-C#KA4	R7F7010243AFP-C#KA2	R7F7010693AFP-C#KA2
R7F7010223AFP-C#KA4	R7F701A324AFP-C#KA4	R7F7010244AFP-C#KA2	R7F7010244AFP-C#KAT
R7F7010224AFP-C#KA4	R7F701A333AFP-C#KA4	R7F7010253AFP-C#KA2	R7F7015303AFP-C#KA2
R7F7010233AFP-C#KA4	R7F701A334AFP-C#KA4	R7F7010254AFP-C#KA2	R7F7015313AFP-C#KA2
R7F7010234AFP-C#KA4	R7F701A363AFP-C#KA4	R7F7010443AFP-C#KA2	R7F7010454AFP-C#KAT

#### RH850/D1 series

R7F701400EAFB-C#KA1	R7F701400EXXAFB-C#KA1	R7F701400EA21AFB-C#KA1	R7F701400EA29AFB-C#KA1
R7F701420EAFB-C#KA1	R7F701420EXXAFB-C#KA1	R7F701400EA22AFB-C#KA1	R7F701400EA30AFB-C#KA1
R7F701420EAFB-C#KA9	R7F701420EXXAFB-C#KA9	R7F701400EA23AFB-C#KA1	