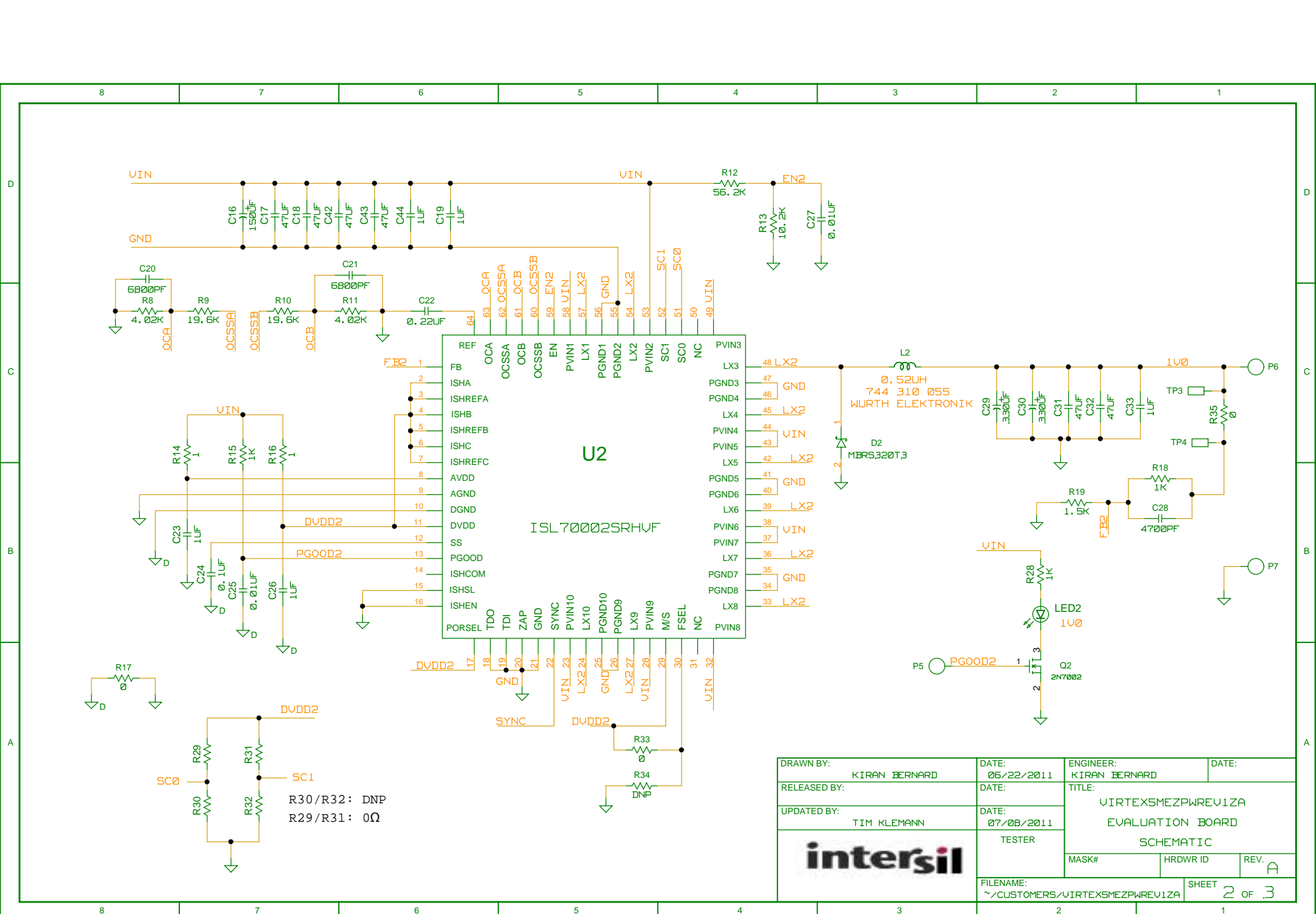

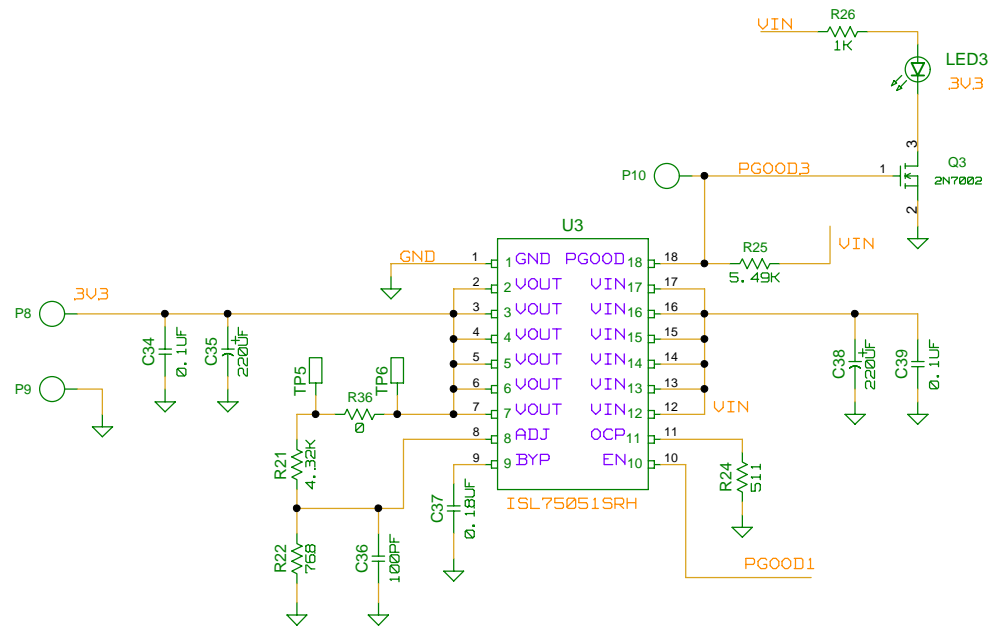



DRAWN BY: KIRAN BERNARD	DATE: 05/22/2011	ENGINEER: KIRAN BERNARD	DATE:	
RELEASED BY:	DATE:	TITLE: VIRTEX5MEZPWREVIZA		
UPDATED BY: TIM KLEMANN	DATE: 07/08/2011	EVALUATION BOARD		
		TESTER		
		<table border="1"> <tr> <td>MASK#</td> <td>HRDWR ID</td> <td>REV. A</td> </tr> </table>	MASK#	HRDWR ID
MASK#	HRDWR ID	REV. A		
FILENAME: ~/CUSTOMERS/VIRTEX5MEZPWREVIZA		SHEET 1 of 3		



R30/R32: DNP
R29/R31: 0Ω

DRAWN BY: KIRAN BERNARD	DATE: 05/22/2011	ENGINEER: KIRAN BERNARD	DATE:
RELEASED BY:	DATE:	TITLE: VIRTEX5MEZPWREV1ZA EVALUATION BOARD	REV. A
UPDATED BY: TIM KLEMMANN	DATE: 07/08/2011	TESTER:	SCHEMATIC
		MASK#	HRDWIR ID
		FILENAME: ~/CUSTOMERS/VIRTEX5MEZPWREV1ZA	SHEET 2 OF 3



DRAWN BY: KIRAN BERNARD	DATE: 06/22/2011	ENGINEER: KIRAN BERNARD	DATE:
RELEASED BY:	DATE:	TITLE: VIRTEX5MEZPWREVIZA	
UPDATED BY: TIM KLEMMANN	DATE: 07/08/2011	EVALUATION BOARD	
		SCHEMATIC	
		MASK#	HRDWR ID
FILENAME: ~/CUSTOMERS/VIRTEX5MEZPWREVIZA			SHEET 3 OF 3