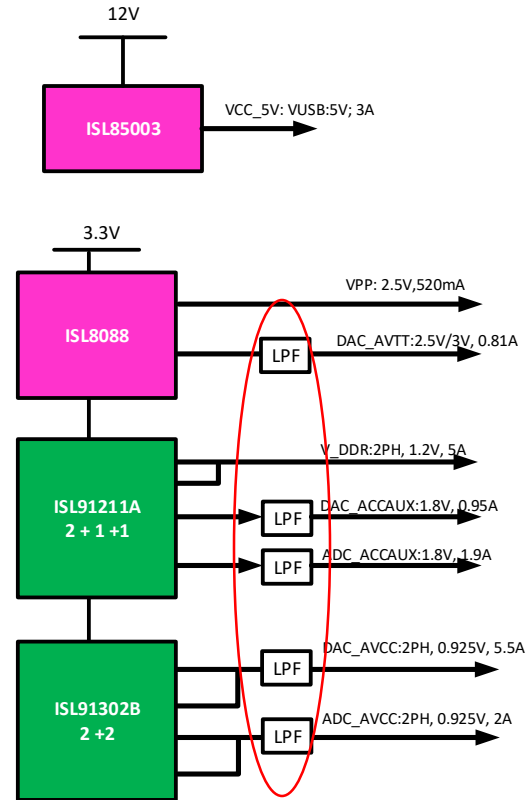
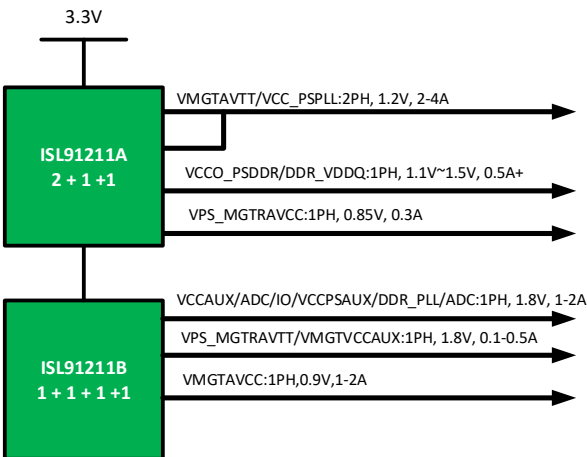
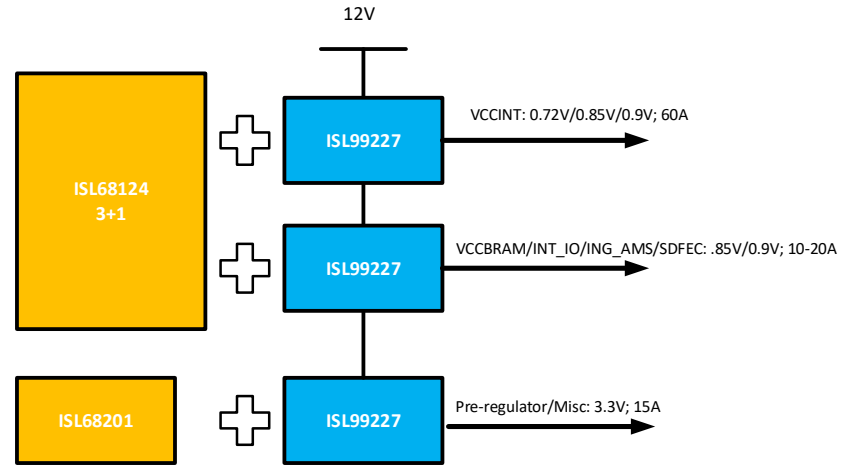


# Xilinx UltraScale+ RFSoc Full Power Map



- = Digital Multiphase
- = Smart Power Stage
- = Multiphase PMIC
- = Discrete DC/DC

