

Using ISL12058 as a Low Cost Alternative to ISL1208 and ISL12082

TB481  
Rev 0.00  
June 9, 2009

**Introduction**

Intersil has recently introduced the ISL12058 Real Time Clock (RTC) devices. The ISL12058 is a basic RTC that provides:

- Real Time Clock/Calendar
  - Tracks Time in Hours, Minutes, and Seconds
  - Day of the Week, Date, Month, and Year
- 4 Selectable Frequency Outputs
- Alarm Function
- 4 Package Options
  - 2mmx2mm  $\mu$ TDFN
  - 3mmx3mm TDFN
  - 8 Ld SOIC
  - 8 Ld MSOP

The features are detailed in the data sheets. This Technical Brief provides information for an engineer wishing to use the ISL12058 as an alternative replacement for the ISL1208 and ISL12082.

**Advantages and Disadvantages of Replacing the ISL1208 with the ISL12058**

Things to consider if you wish to replace the ISL1208 with the ISL12058.

**ADVANTAGES:**

- Lower operating current (500nA vs 1.2 $\mu$ A @  $V_{DD} = 3.0V$ )
- Lower  $V_{DD}$  operating range (1.4V vs 2.7V)
- Dual Alarms with every second interrupt on Alarm1 and every minute interrupt on Alarm2.
- Same RTC registers setup and similar Control and Status register setup
- Smaller package option ( $\mu$ TDFN))
- Lower cost

**DISADVANTAGES:**

- No battery backup
  - A system requiring battery backup can implement a slight hardware change and use a BAT54C Schottky Diode on  $V_{DD}$  to accept a regular input voltage and battery voltage. Figure 1 shows the example circuit of using the BAT54C on  $V_{DD}$ .
- Maximum  $V_{DD}$  operating voltage is 3.6V
  - A system that has the I<sup>2</sup>C lines pulled up to 5.5V (or other voltage higher than 3.6V), but has a 3.3V regulator on board requires a simple modification to connect the  $V_{DD}$  to 3.3V instead of 5.5V. Figure 2 shows an

example circuit with  $V_{DD}$  to 3.3V, and I<sup>2</sup>C lines and  $\overline{IRQx}$  pulled up to 5.5V

- A system that cannot connect  $V_{DD}$  to a voltage lower than 3.6V can use a Zener diode on the  $V_{DD}$  pin to lower the  $V_{DD}$  to 3.6V or below. Figure 3 shows an example circuit with a Zener diode to lower the 5.5V input voltage to 3.3V for  $V_{DD}$ .
- No ATR and DTR registers for oscillator frequency trimming
- 4 selectable frequency outputs and slight software change to select frequency output
  - ISL12058: The 4 selectable frequency outputs are 32.768kHz, 8.192kHz, 4.096kHz and 1Hz. The two FO bits to select the frequency outputs are located at bit 4 and 3 in address 08h.
  - ISL1208: 15 selectable frequency outputs. The four FO bits to select the frequency outputs are located at bit 3, 2, 1 and 0 in address 08h.
- Slight software change for Alarm1 interrupt on  $\overline{IRQ}/F_{OUT}$  pin
  - ISL12058: To enable Alarm1 interrupt on  $\overline{IRQ}/F_{OUT}$  pin, IRQE and A1E bits in address 08h have to be set to "1".
  - ISL1208: To enable Alarm interrupt on  $\overline{IRQ}/F_{OUT}$  pin, all the FO3, FO2, FO1, and FO0 bits in address 08h have to be set to "0".
- No IM bit to enable the Alarm's Repetitive/Recurring Time Event.

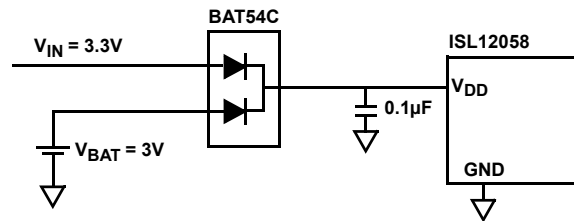


FIGURE 1. EXAMPLE CIRCUIT FOR SYSTEM REQUIRING BATTERY BACK-UP BY USING BAT54C ON  $V_{DD}$

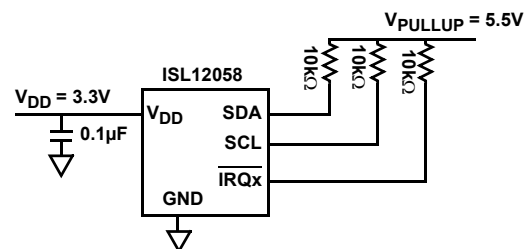


FIGURE 2. EXAMPLE CIRCUIT WITH  $V_{DD}$  AT 3.3V AND I<sup>2</sup>C AND  $\overline{IRQx}$  PULLED UP TO 5.5V

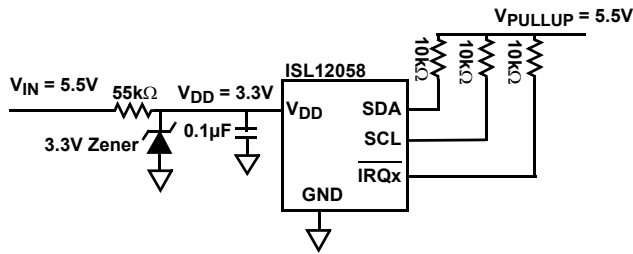


FIGURE 3. EXAMPLE CIRCUIT WITH ZENER DIODE ON V<sub>DD</sub> TO REDUCE INPUT VOLTAGE TO 3.3V

### Advantages and Disadvantages of Replacing the ISL12082 with the ISL12058

Things to consider if you wish to replace the ISL12082 with the ISL12058.

#### ADVANTAGES:

- Lower Operating Current (500nA vs 1.6μA @ V<sub>DD</sub> = 3.0V)
- Lower V<sub>DD</sub> Operating Range (1.4V vs 2.7V)
- Dual Alarms with every Second Interrupt on Alarm1 and every Minute Interrupt on Alarm2.
- Same RTC Registers Set-up and Similar Control and Status Register Set-up
- Smaller Package Option (μTDFN)
- Lower Cost

#### DISADVANTAGES:

- No Battery Backup
  - A system requiring battery back-up can implement a slight hardware change and use a BAT54C Schottky Diode on V<sub>DD</sub> to accept a regular input voltage and battery voltage. Figure 1 shows the example circuit of using the BAT54C on V<sub>DD</sub>.
- Maximum V<sub>DD</sub> Operating Voltage is 3.6V
  - A system that has the I<sup>2</sup>C lines pulled up to 5.5V (or other voltage higher than 3.6V), but has a 3.3V regulator on board requires a simple modification to connect the V<sub>DD</sub> to 3.3V instead of 5.5V. Figure 2 shows an example circuit with V<sub>DD</sub> to 3.3V and I<sup>2</sup>C lines and IRQx pulled up to 5.5V.
  - A system that cannot connect V<sub>DD</sub> to voltage lower than 3.6V can use a Zener diode on the V<sub>DD</sub> pin to lower the V<sub>DD</sub> to 3.6V or below. Figure 3 shows an example circuit

with a Zener diode to lower the 5.5V input voltage to 3.3V for V<sub>DD</sub>.

- One Interrupt Output for Alarm Interrupt and Frequency Output
  - IRQ/F<sub>OUT</sub> is available for alarm interrupt and frequency output.
  - IRQ2 is not available in ISL12058.
- Requires Hardware Change for pin-to-pin Compatibility
  - 8 Ld SOIC: Relocating GND pin to pin 4 to match ISL12058 pinout.
  - 10 Ld MSOP: Removing pin 5 and 6 to match ISL12058 pinout.
- No Timer feature
- No ATR and DTR Registers for Oscillator Frequency Trimming
- No Sub-Second feature
- Slight Software Change for Alarm1 Interrupt on IRQ/F<sub>OUT</sub> Pin
  - ISL12058: To enable Alarm1 interrupt on IRQ/F<sub>OUT</sub> pin, the IRQE and A1E bits in address 08h have to set to "1".
  - ISL12082: To enable Alarm interrupt on IRQ/F<sub>OUT</sub> pin, IRQ1E bit in address 08h has to set to "1".
- No IM Bit to Enable the Alarm's Repetitive/Recurring Time Event.

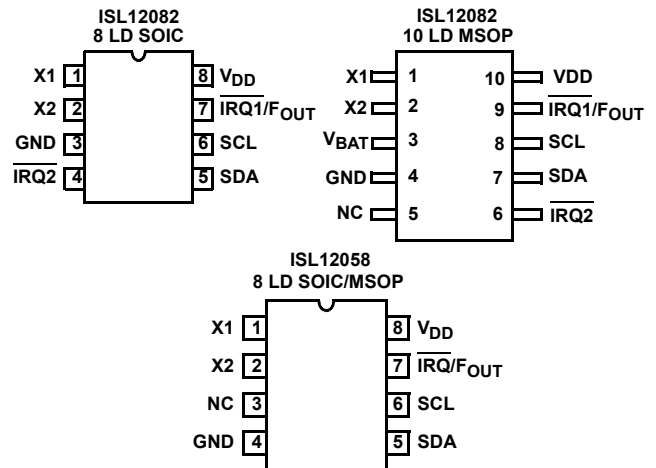


FIGURE 4. PINOUTS OF ISL12058's 8 LD SOIC AND MSOP PACKAGES AND ISL12082's 8 LD SOIC AND 10 LD MSOP PACKAGES

## Notice

1. Descriptions of circuits, software and other related information in this document are provided only to illustrate the operation of semiconductor products and application examples. You are fully responsible for the incorporation or any other use of the circuits, software, and information in the design of your product or system. Renesas Electronics disclaims any and all liability for any losses and damages incurred by you or third parties arising from the use of these circuits, software, or information.
  2. Renesas Electronics hereby expressly disclaims any warranties against and liability for infringement or any other claims involving patents, copyrights, or other intellectual property rights of third parties, by or arising from the use of Renesas Electronics products or technical information described in this document, including but not limited to, the product data, drawings, charts, programs, algorithms, and application examples.
  3. No license, express, implied or otherwise, is granted hereby under any patents, copyrights or other intellectual property rights of Renesas Electronics or others.
  4. You shall not alter, modify, copy, or reverse engineer any Renesas Electronics product, whether in whole or in part. Renesas Electronics disclaims any and all liability for any losses or damages incurred by you or third parties arising from such alteration, modification, copying or reverse engineering.
  5. Renesas Electronics products are classified according to the following two quality grades: "Standard" and "High Quality". The intended applications for each Renesas Electronics product depends on the product's quality grade, as indicated below.  
"Standard": Computers; office equipment; communications equipment; test and measurement equipment; audio and visual equipment; home electronic appliances; machine tools; personal electronic equipment; industrial robots; etc.  
"High Quality": Transportation equipment (automobiles, trains, ships, etc.); traffic control (traffic lights); large-scale communication equipment; key financial terminal systems; safety control equipment; etc.  
Unless expressly designated as a high reliability product or a product for harsh environments in a Renesas Electronics data sheet or other Renesas Electronics document, Renesas Electronics products are not intended or authorized for use in products or systems that may pose a direct threat to human life or bodily injury (artificial life support devices or systems; surgical implantations; etc.), or may cause serious property damage (space system; undersea repeaters; nuclear power control systems; aircraft control systems; key plant systems; military equipment; etc.). Renesas Electronics disclaims any and all liability for any damages or losses incurred by you or any third parties arising from the use of any Renesas Electronics product that is inconsistent with any Renesas Electronics data sheet, user's manual or other Renesas Electronics document.
  6. When using Renesas Electronics products, refer to the latest product information (data sheets, user's manuals, application notes, "General Notes for Handling and Using Semiconductor Devices" in the reliability handbook, etc.), and ensure that usage conditions are within the ranges specified by Renesas Electronics with respect to maximum ratings, operating power supply voltage range, heat dissipation characteristics, installation, etc. Renesas Electronics disclaims any and all liability for any malfunctions, failure or accident arising out of the use of Renesas Electronics products outside of such specified ranges.
  7. Although Renesas Electronics endeavors to improve the quality and reliability of Renesas Electronics products, semiconductor products have specific characteristics, such as the occurrence of failure at a certain rate and malfunctions under certain use conditions. Unless designated as a high reliability product or a product for harsh environments in a Renesas Electronics data sheet or other Renesas Electronics document, Renesas Electronics products are not subject to radiation resistance design. You are responsible for implementing safety measures to guard against the possibility of bodily injury, injury or damage caused by fire, and/or danger to the public in the event of a failure or malfunction of Renesas Electronics products, such as safety design for hardware and software, including but not limited to redundancy, fire control and malfunction prevention, appropriate treatment for aging degradation or any other appropriate measures. Because the evaluation of microcomputer software alone is very difficult and impractical, you are responsible for evaluating the safety of the final products or systems manufactured by you.
  8. Please contact a Renesas Electronics sales office for details as to environmental matters such as the environmental compatibility of each Renesas Electronics product. You are responsible for carefully and sufficiently investigating applicable laws and regulations that regulate the inclusion or use of controlled substances, including without limitation, the EU RoHS Directive, and using Renesas Electronics products in compliance with all these applicable laws and regulations. Renesas Electronics disclaims any and all liability for damages or losses occurring as a result of your noncompliance with applicable laws and regulations.
  9. Renesas Electronics products and technologies shall not be used for or incorporated into any products or systems whose manufacture, use, or sale is prohibited under any applicable domestic or foreign laws or regulations. You shall comply with any applicable export control laws and regulations promulgated and administered by the governments of any countries asserting jurisdiction over the parties or transactions.
  10. It is the responsibility of the buyer or distributor of Renesas Electronics products, or any other party who distributes, disposes of, or otherwise sells or transfers the product to a third party, to notify such third party in advance of the contents and conditions set forth in this document.
  11. This document shall not be reprinted, reproduced or duplicated in any form, in whole or in part, without prior written consent of Renesas Electronics.
  12. Please contact a Renesas Electronics sales office if you have any questions regarding the information contained in this document or Renesas Electronics products.
- (Note 1) "Renesas Electronics" as used in this document means Renesas Electronics Corporation and also includes its directly or indirectly controlled subsidiaries.  
(Note 2) "Renesas Electronics product(s)" means any product developed or manufactured by or for Renesas Electronics.

(Rev.4.0-1 November 2017)



### SALES OFFICES

Renesas Electronics Corporation

<http://www.renesas.com>

Refer to "<http://www.renesas.com/>" for the latest and detailed information.

**Renesas Electronics America Inc.**  
1001 Murphy Ranch Road, Milpitas, CA 95035, U.S.A.  
Tel: +1-408-432-8888, Fax: +1-408-434-5351

**Renesas Electronics Canada Limited**  
9251 Yonge Street, Suite 8309 Richmond Hill, Ontario Canada L4C 9T3  
Tel: +1-905-237-2004

**Renesas Electronics Europe Limited**  
Dukes Meadow, Millboard Road, Bourne End, Buckinghamshire, SL8 5FH, U.K  
Tel: +44-1628-651-700, Fax: +44-1628-651-804

**Renesas Electronics Europe GmbH**  
Arcadiastrasse 10, 40472 Düsseldorf, Germany  
Tel: +49-211-6503-0, Fax: +49-211-6503-1327

**Renesas Electronics (China) Co., Ltd.**  
Room 1709 Quantum Plaza, No.27 ZhichunLu, Haidian District, Beijing, 100191 P. R. China  
Tel: +86-10-8235-1155, Fax: +86-10-8235-7679

**Renesas Electronics (Shanghai) Co., Ltd.**  
Unit 301, Tower A, Central Towers, 555 Langao Road, Putuo District, Shanghai, 200333 P. R. China  
Tel: +86-21-2226-0888, Fax: +86-21-2226-0999

**Renesas Electronics Hong Kong Limited**  
Unit 1601-1611, 16/F., Tower 2, Grand Century Place, 193 Prince Edward Road West, Mongkok, Kowloon, Hong Kong  
Tel: +852-2265-6688, Fax: +852-2886-9022

**Renesas Electronics Taiwan Co., Ltd.**  
13F, No. 363, Fu Shing North Road, Taipei 10543, Taiwan  
Tel: +886-2-8175-9600, Fax: +886-2-8175-9670

**Renesas Electronics Singapore Pte. Ltd.**  
80 Bendemeer Road, Unit #06-02 Hyflux Innovation Centre, Singapore 339949  
Tel: +65-6213-0200, Fax: +65-6213-0300

**Renesas Electronics Malaysia Sdn.Bhd.**  
Unit 1207, Block B, Menara Amcorp, Amcorp Trade Centre, No. 18, Jln Persiaran Barat, 46050 Petaling Jaya, Selangor Darul Ehsan, Malaysia  
Tel: +60-3-7955-9390, Fax: +60-3-7955-9510

**Renesas Electronics India Pvt. Ltd.**  
No.777C, 100 Feet Road, HAL 2nd Stage, Indiranagar, Bangalore 560 038, India  
Tel: +91-80-67208700, Fax: +91-80-67208777

**Renesas Electronics Korea Co., Ltd.**  
17F, KAMCO Yangjae Tower, 262, Gangnam-daero, Gangnam-gu, Seoul, 06265 Korea  
Tel: +82-2-558-3737, Fax: +82-2-558-5338