

A

B

C

D

E

F

1

1

RX66T Digital Power Conversion (Uninterruptible Power System (UPS)) Schematic

- 01 : Block Diagram
- 02 : BUS Board circuit (P13178-C0-001)
- 03 : ACDC Board circuit (P13178-C0-002)
- 04 : DCDC Board circuit (P13178-C0-003)
- 05 : DCAC Board circuit (P13178-C0-004)
- 06 : History

2

2

3

3

4

4

Title			RX66T Digital Power Conversion(UPS)		
Size	Number	Rev			
	R01TU0429EJ	1.0			
Checked by			Approved by		
Date			Drawn by		
Filename			Sheet 1 of 7		

A

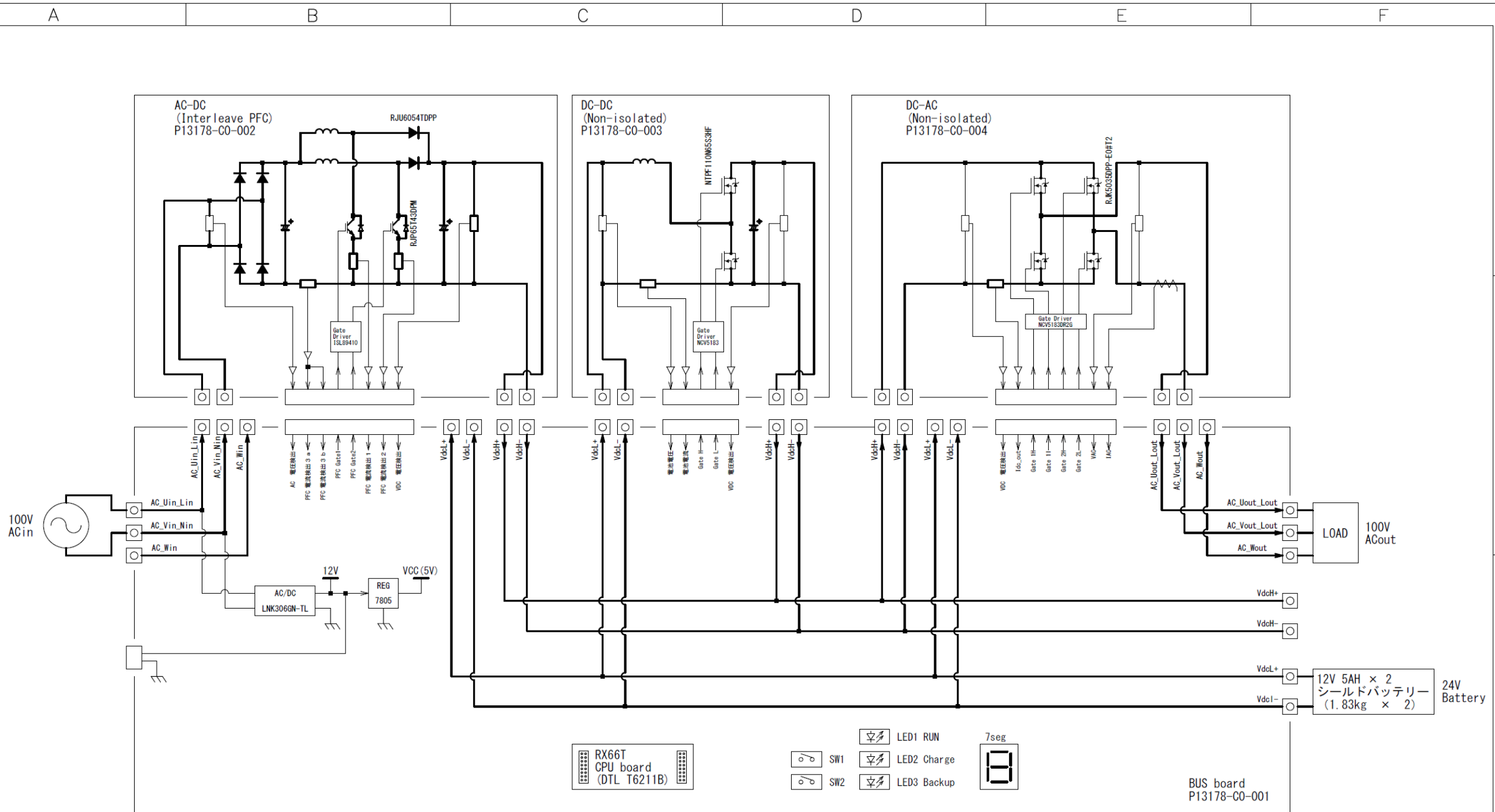
B

C

D

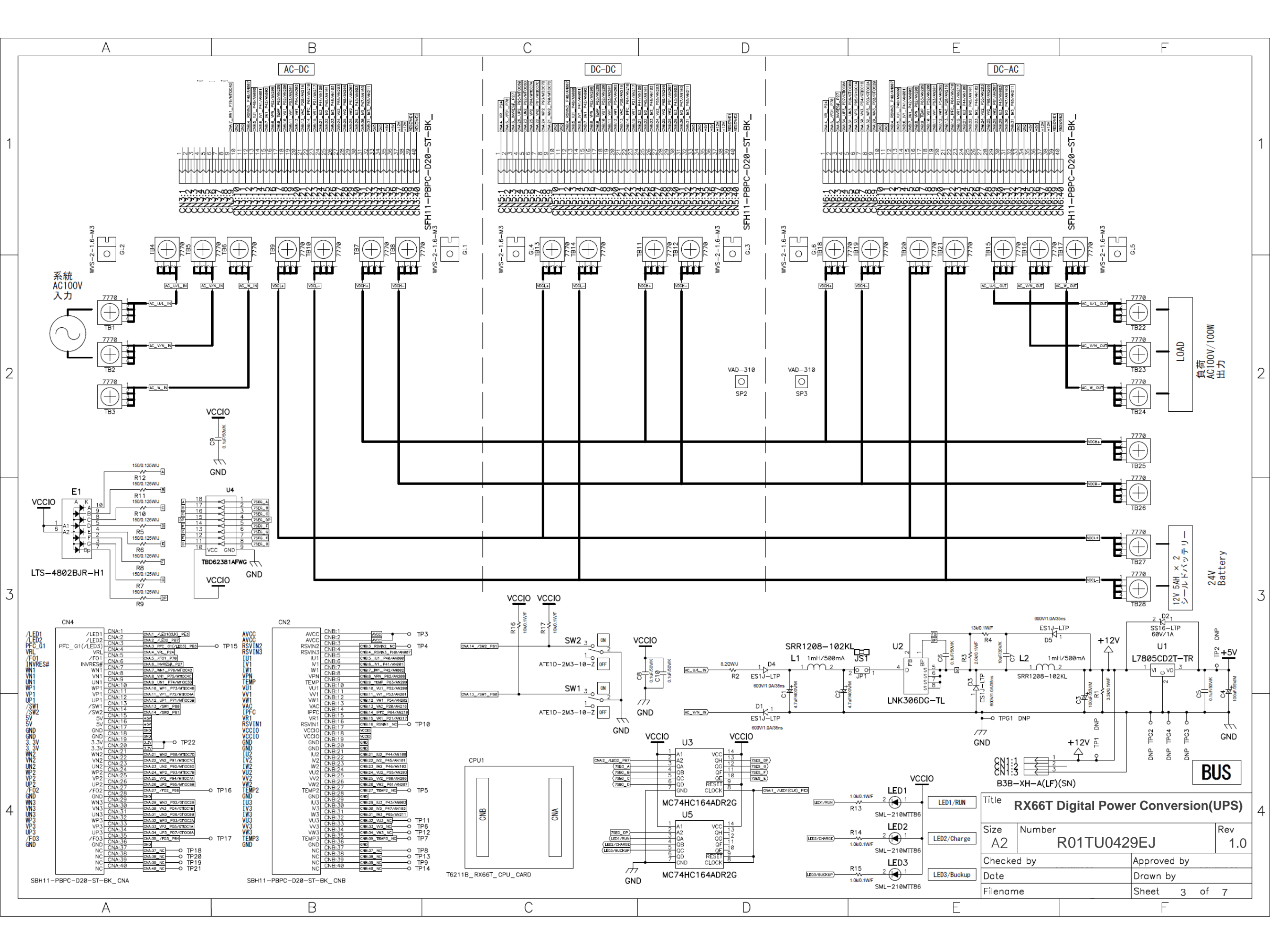
E

F

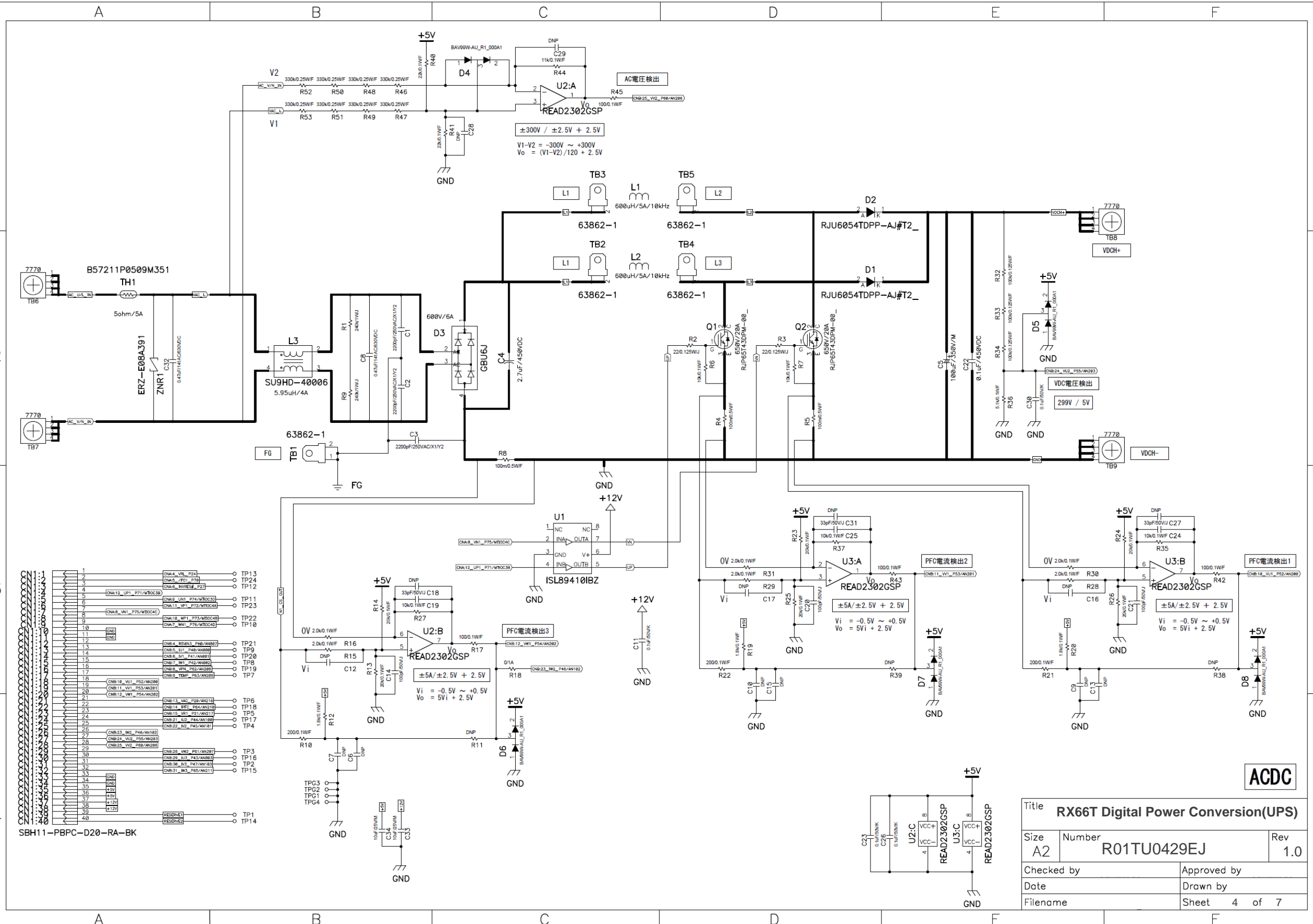


Block Diagram

Title			RX66T Digital Power Conversion(UPS)		
Size	Number	Rev			
A2	R01TU0429EJ	1.0			
Checked by		Approved by			
Date		Drawn by			
Filename		Sheet 2 of 7			



Title		RX66T Digital Power Conversion(UPS)	
Size	Number	R01TU0429EJ	
A2			
Checked by	Approved by		
Date	Drawn by		
Filename	Sheet		3 of 7

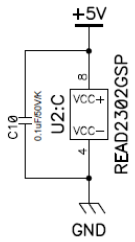
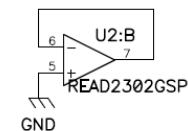
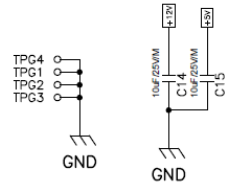
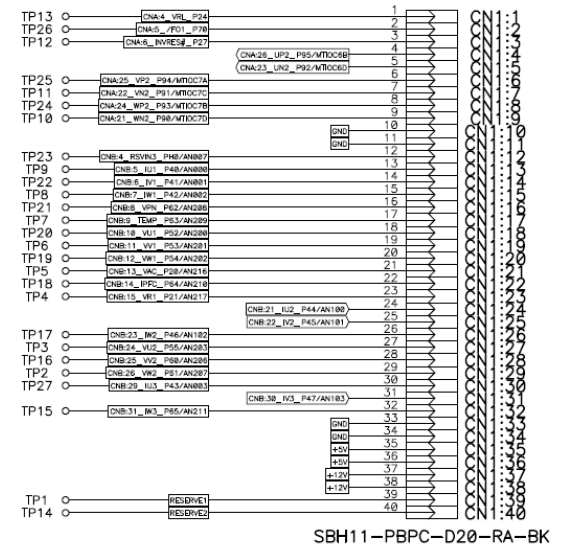
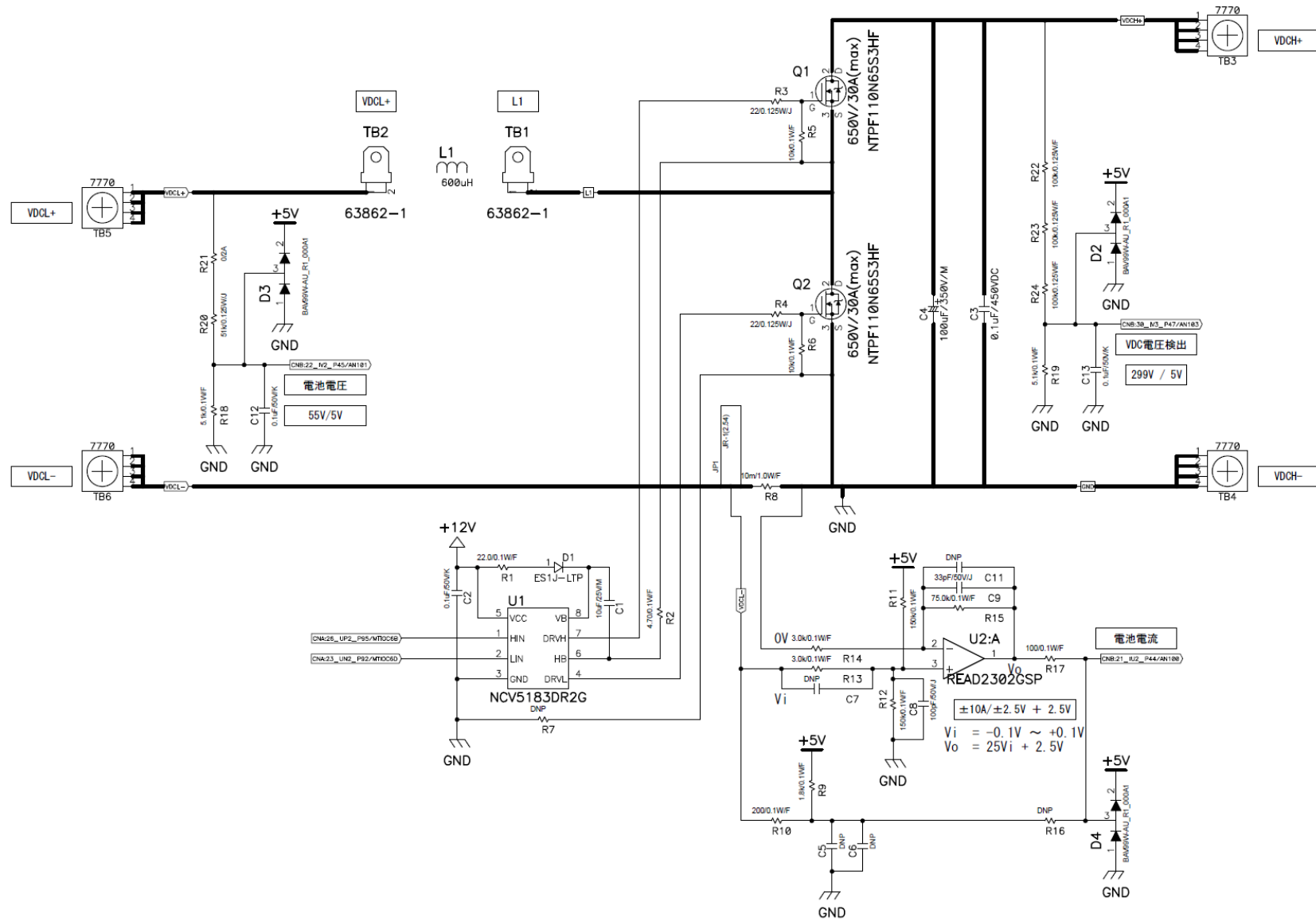


1	[CN4_VRL_P24]	TP13
2	[CN4S_FR01_P28]	TP24
3	[CN4S_NVR5W_P27]	TP12
4	[CN4S_UP1_P71/MT0C3B]	TP11
5	[CN4S_UN1_P74/MT0C3D]	TP11
6	[CN4S_VP1_P72/MT0C4A]	TP23
7	[CN4S_VN1_P75/MT0C4C]	TP23
8	[CN4S_WP1_P73/MT0C4B]	TP22
9	[CN4S_WN1_P76/MT0C4D]	TP10
10	[GND]	
11	[GND]	
12	[GND]	
13	[CN4_R5W3_P8/AN087]	TP21
14	[CN4S_IU1_P48/AN080]	TP9
15	[CN4S_IV1_P41/AN081]	TP20
16	[CN4S_IV1_P42/AN082]	TP8
17	[CN4S_VN1_P52/AN200]	TP19
18	[CN4S_VN1_P53/AN201]	TP19
19	[CN4S_VN1_P54/AN202]	TP7
20	[GND]	
21	[CN4S_VN1_P54/AN202]	
22	[CN4S_VN1_P54/AN202]	
23	[CN4S_VN1_P54/AN202]	
24	[CN4S_VN1_P54/AN202]	
25	[CN4S_VN1_P54/AN202]	
26	[CN4S_VN1_P54/AN202]	
27	[CN4S_VN1_P54/AN202]	
28	[CN4S_VN1_P54/AN202]	
29	[CN4S_VN1_P54/AN202]	
30	[CN4S_VN1_P54/AN202]	
31	[CN4S_VN1_P54/AN202]	
32	[CN4S_VN1_P54/AN202]	
33	[GND]	
34	[GND]	
35	[GND]	
36	[+5V]	
37	[+12V]	
38	[+12V]	
39	[+12V]	
40	[RESERVE1]	TP1
	[RESERVE2]	TP14

SBH11-PBPC-D20-RA-BK

Title RX66T Digital Power Conversion(UPS)		
Size A2	Number R01TU0429EJ	Rev 1.0
Checked by	Approved by	
Date	Drawn by	
Filename	Sheet 4 of 7	

ACDC



DCDC

Title			RX66T Digital Power Conversion(UPS)		
Size	Number			Rev	
A2	R01TU0429EJ				1.0
Checked by			Approved by		
Date			Drawn by		
Filename			Sheet 5 of 7		

A

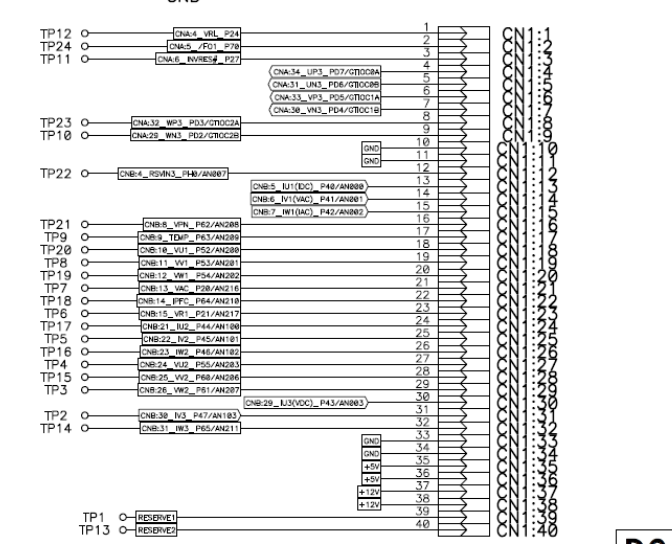
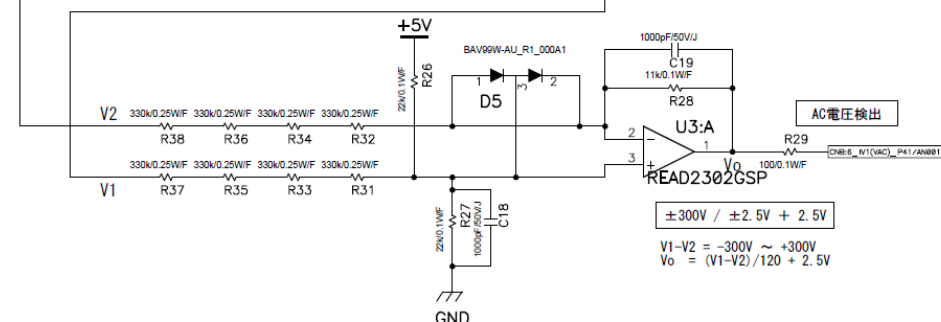
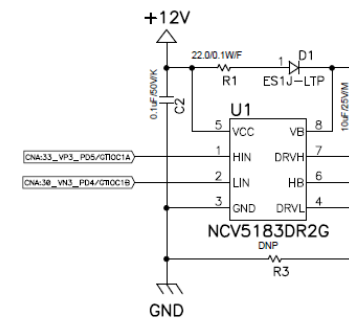
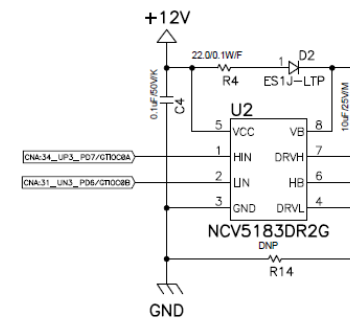
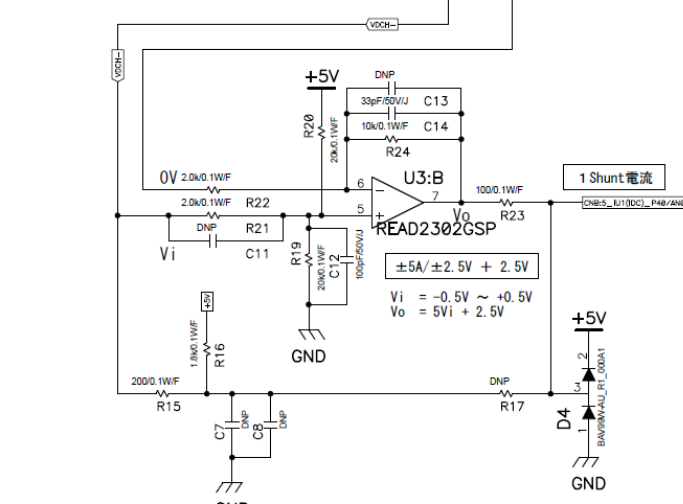
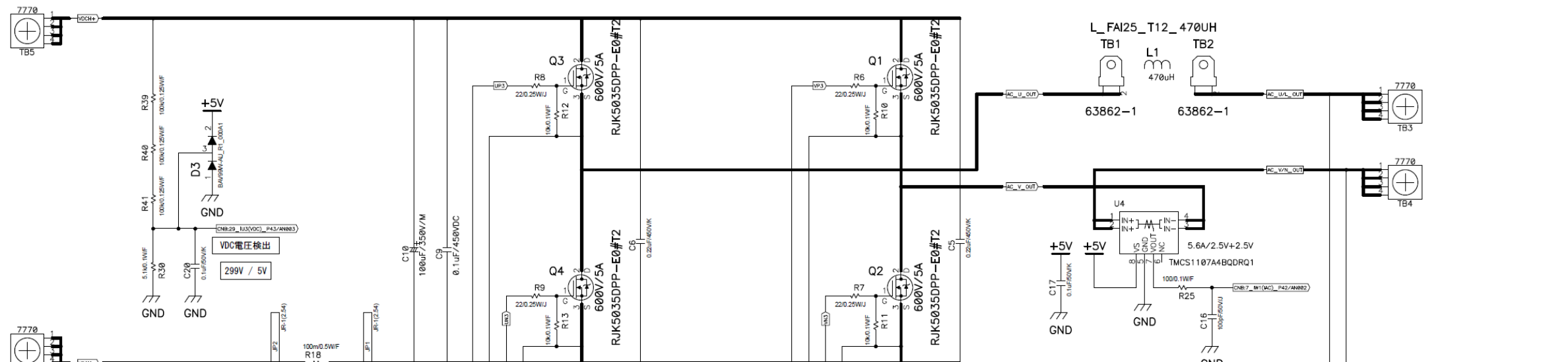
B

C

D

E

F



DCAC

A

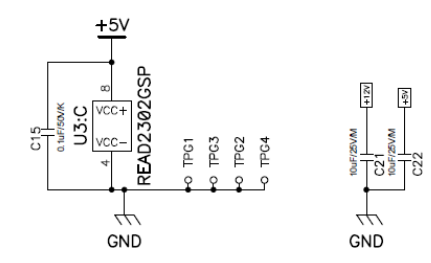
B

C

D

E

F



Title RX66T Digital Power Conversion(UPS)		
Size A2	Number R01TU0429EJ	Rev 1.0
Checked by	Approved by	
Date	Drawn by	
Filename	Sheet 6 of 7	

History

Rev.	Date	Page	Summary
1.0	2022/8/8	-	First edition

Title			RX66T Digital Power Conversion(UPS)		
Size	Number		Rev		
	R01TU0429EJ		1.0		
Checked by			Approved by		
Date			Drawn by		
Filename			Sheet 7 of 7		