



Integrated Device Technology, Inc.

ORION 79R4640 EVALUATION AND DEVELOPMENT PLATFORM

79S440
Product Brief

FEATURES

- R4700/R4640 highly integrated RISController CPU support
- R4640 clock generation circuitry
- 3.3V and 5V operation
- 32-bit system interface support for R4640
- 64-bit system interface support for R4700

DESCRIPTION

The IDT79S440 is an evaluation board. It is a small module that supports the R4700 and the R4640 on a single printed circuit board (PCB). The S440 allows the system designer to evaluate the performance of either system's CPU without modification to the existing design. The S440 plugs directly into the PGA socket of the R4700 on any board, including the 79S465 evaluation board. The figure on this page shows a block diagram of the 79S440.

The 79S440 is configured to plug directly into the 79S465 evaluation board. It supports the R4700 PQFP foot prints as well as the PQFP foot prints of the R4640. Selecting between the two CPU options is accomplished through hardware jumpers. However, only one CPU can be plugged into the board at a time.

The 79S440 can be used to evaluate system performance of either the R4700 or the R4640. The S440 also supports 32-bit system interface for the R4640 and 64-bit system interface for the R4700. The 79S440 draws power from the 79S465 evaluation board through the PGA socket it is plugged into and supports both 3.3V and 5V operations. The input clock is provided through the socket.

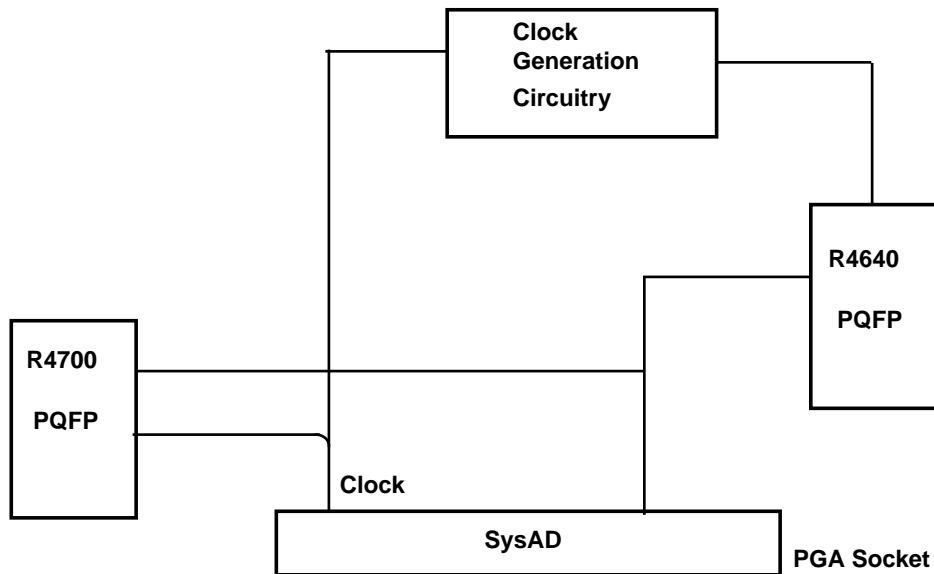
ORDERING INFORMATION

Each unit is shipped with complete schematics. A user's manual includes instructions on setting up the board. The 79S440 boards are shipped with the R4640 CPU plugged in.

EVALUATION BOARD

R4640 Evaluation Kit.....79S440

BLOCK DIAGRAM



The IDT logo is a registered trademark and ORION, R4640, R4700, RISController, and IDT/sim are trademarks of Integrated Device Technology, Inc.