

Renesas Starter Kit for RX63T CPU Board Schematics

REV	REF	DATE	DRAWN BY
A1	Prototype	15.12.2011	YOI
A2	Prototype	19.12.2011	YOI
A3	Prototype	13.01.2012	YOI
1.00	Release	30.10.2012	YUO

PAGE	DESCRIPTION
1	INDEX
2	RX63T(64pin) Microcontroller
3	PSU, Reset, Switches, LEDs
4	E1 Emulator, MCU Mode Setting, Serial Port
5	Application Headers, Header Function Select, MCU Pin Function Select
6	Debug LCD, LIN
7	Microcontroller Pin Headers

Note:

R : Fixed Resistor
RV : Potentiometer
U : Integrated Circuit
X : Crystal
RES : Reset Switch
SW : Switch
LED : Light Emitting Diode
PWR : Power Jack
J : Connector, Jumper

* "DNF" marking means that component does not fit by default.

Board Variation:

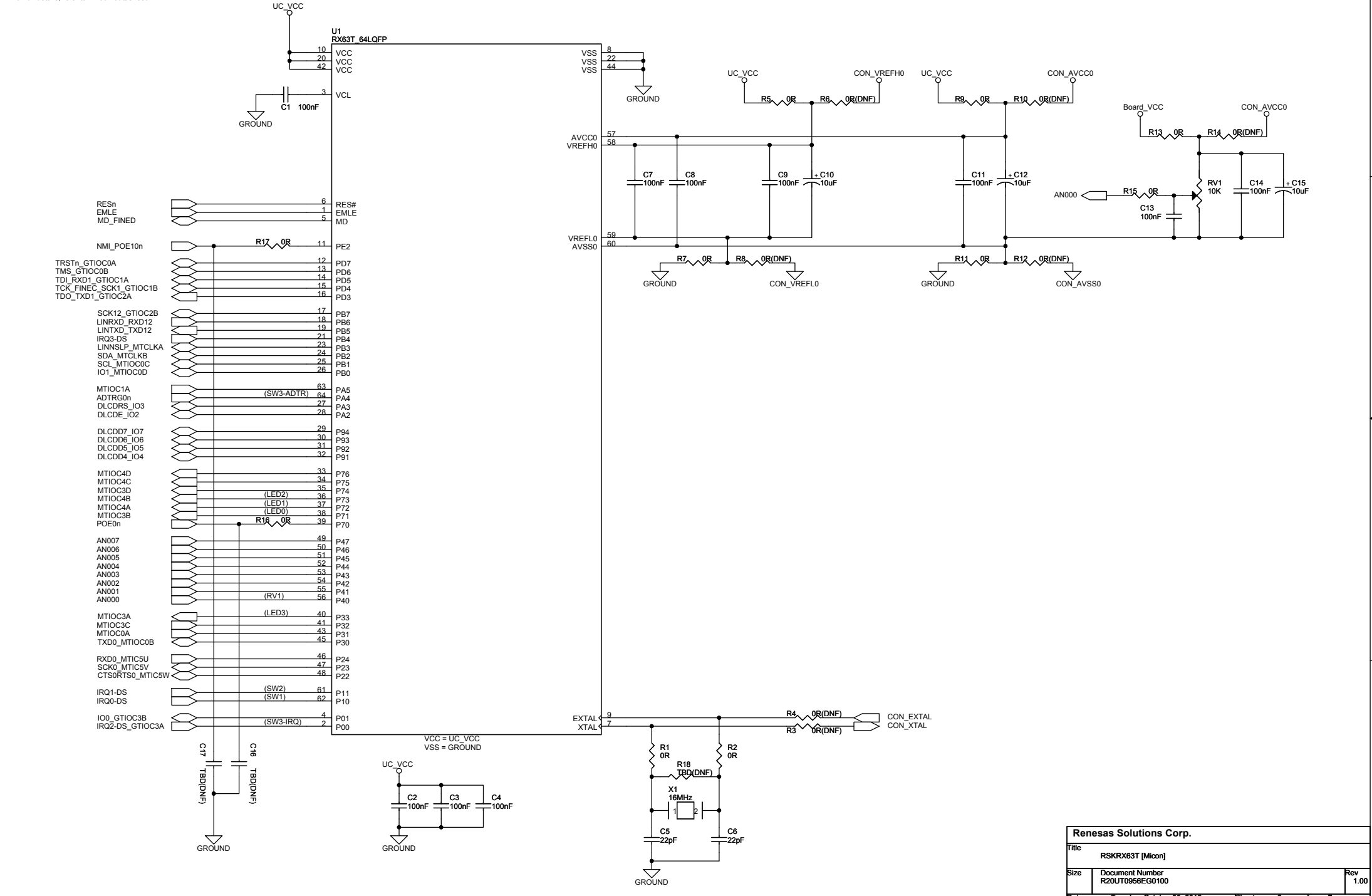
R0K50563TC000BR : Prototype Board
R0K50563TC010BR : Prototype Board with IC Socket
R0K50563TC000BE : WS/MP Product

REEL Drawing No. D010962_04

Renesas Solutions Corp.			
Title RSKRX63T [INDEX]			
Size	Document Number R20UT0956EG0100	Rev	1.00
Date:	Tuesday, October 30, 2012	Sheet	1 of 7

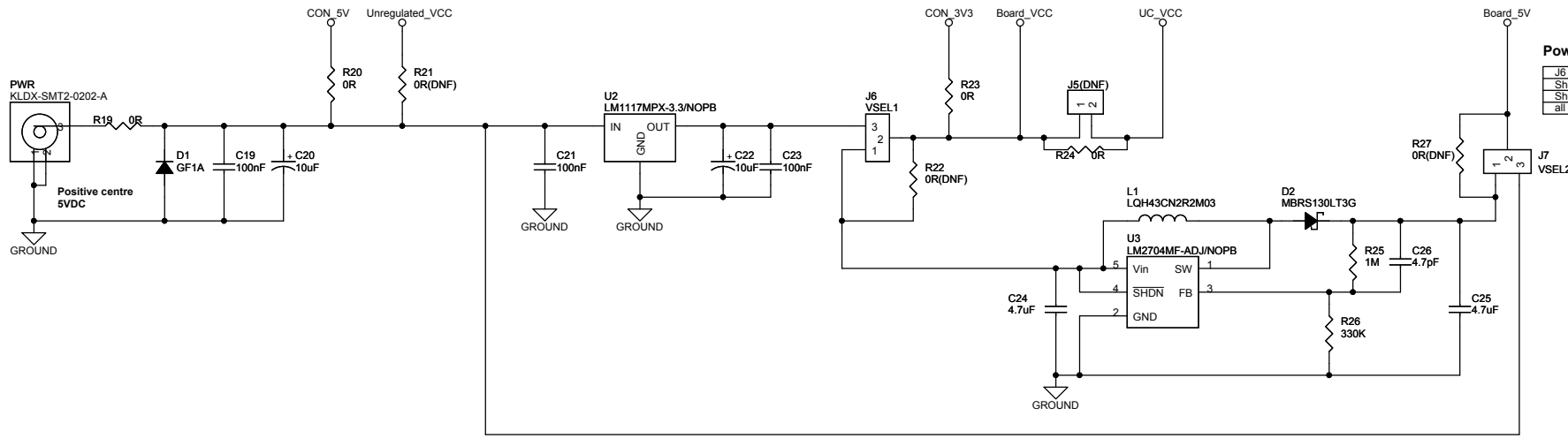
RX63T(64Pin) Microcontroller

Note:
 Microcontroller's pins are not described by the full pin function.
 For full details, refer to RX63T datasheet.



Renesas Solutions Corp.		
Title: RSKRX63T [Micon]		
Size: R20UT0956EG0100	Document Number: R20UT0956EG0100	Rev: 1.00
Date: Tuesday, October 30, 2012	Sheet: 2	of 7

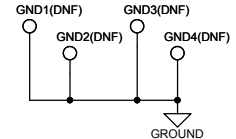
Power Supply Unit



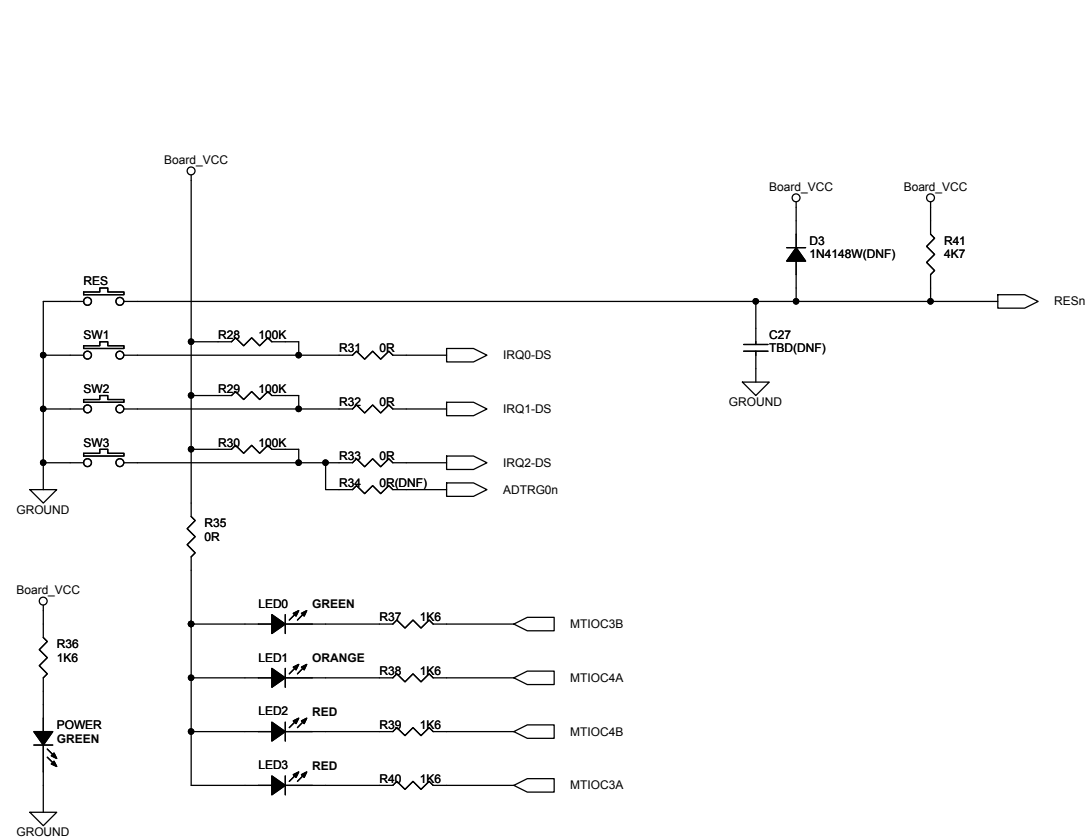
Power Supply Configuration

J6	J7	Supply Type
Shorted Pin1-2	Shorted Pin1-2	E1(3V3), CON_3V3
Shorted Pin2-3	Shorted Pin2-3	PWR_CON_5V
all open	all open	DO NOT SET

Ground Test Point

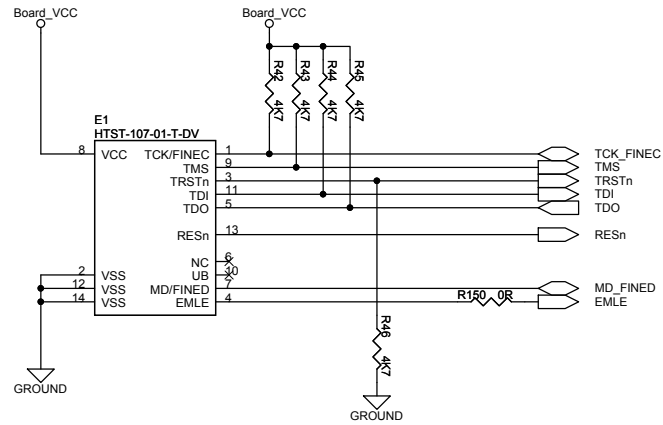


Switches, LEDs, RESET

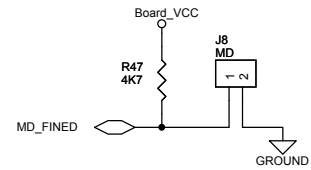


Renesas Solutions Corp.		
Title	RSKR63T [PSU, RESET, SW, LED]	
Size	Document Number R20UT0956EG0100	Rev 1.00
Date:	Tuesday, October 30, 2012	Sheet 3 of 7

E1 Emulator Interface

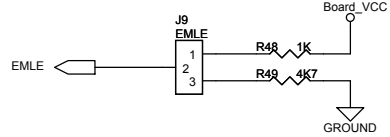


MCU Mode Settings



MCU Operating Mode Configuration

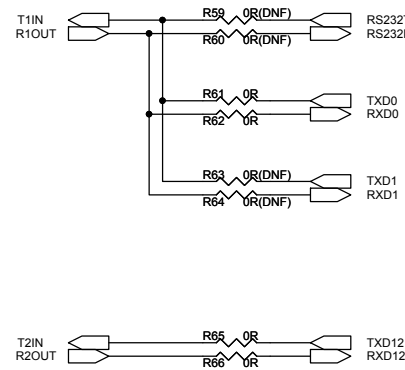
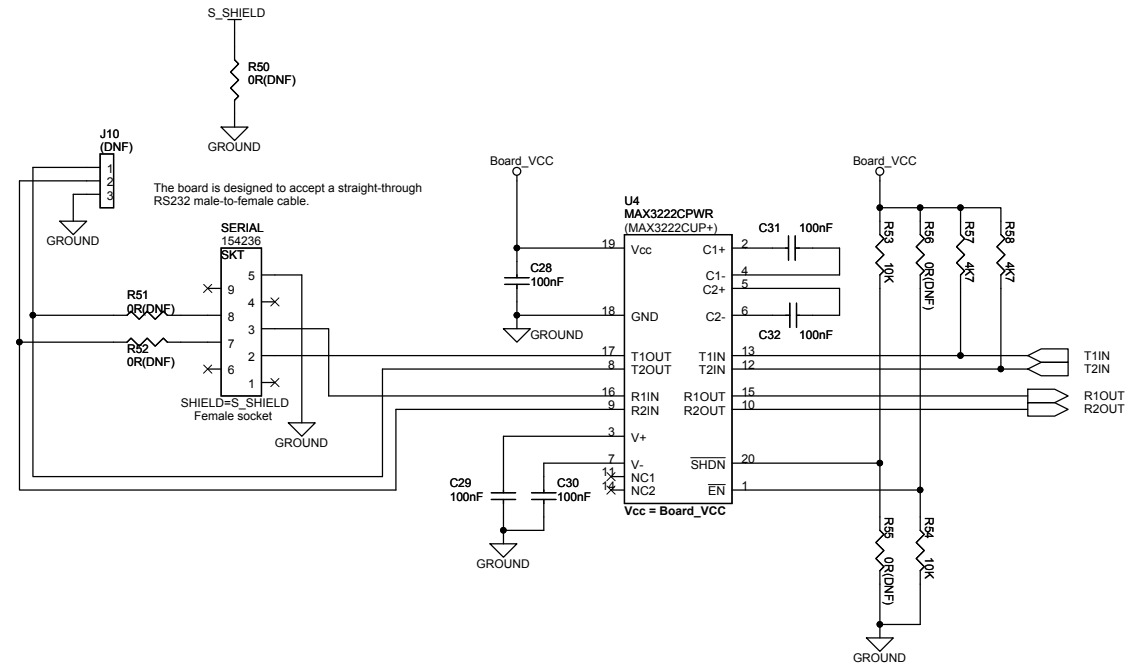
J8	Operating Mode
Shorted	Boot Mode (SCI)
open	Single Chip Mode



Emulator Configuration

J9	Emulator Configuration
Shorted Pin1-2	E1 debugging with Hot plug-in
Shorted Pin2-3	E1 normal debugging
all open	Microcontroller single operation (without E1)
	DO NOT SET

Serial Port



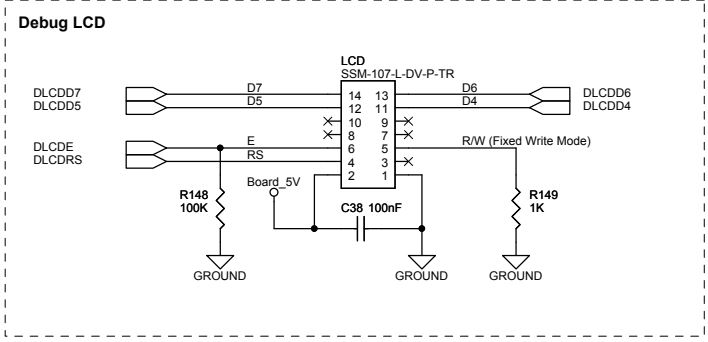
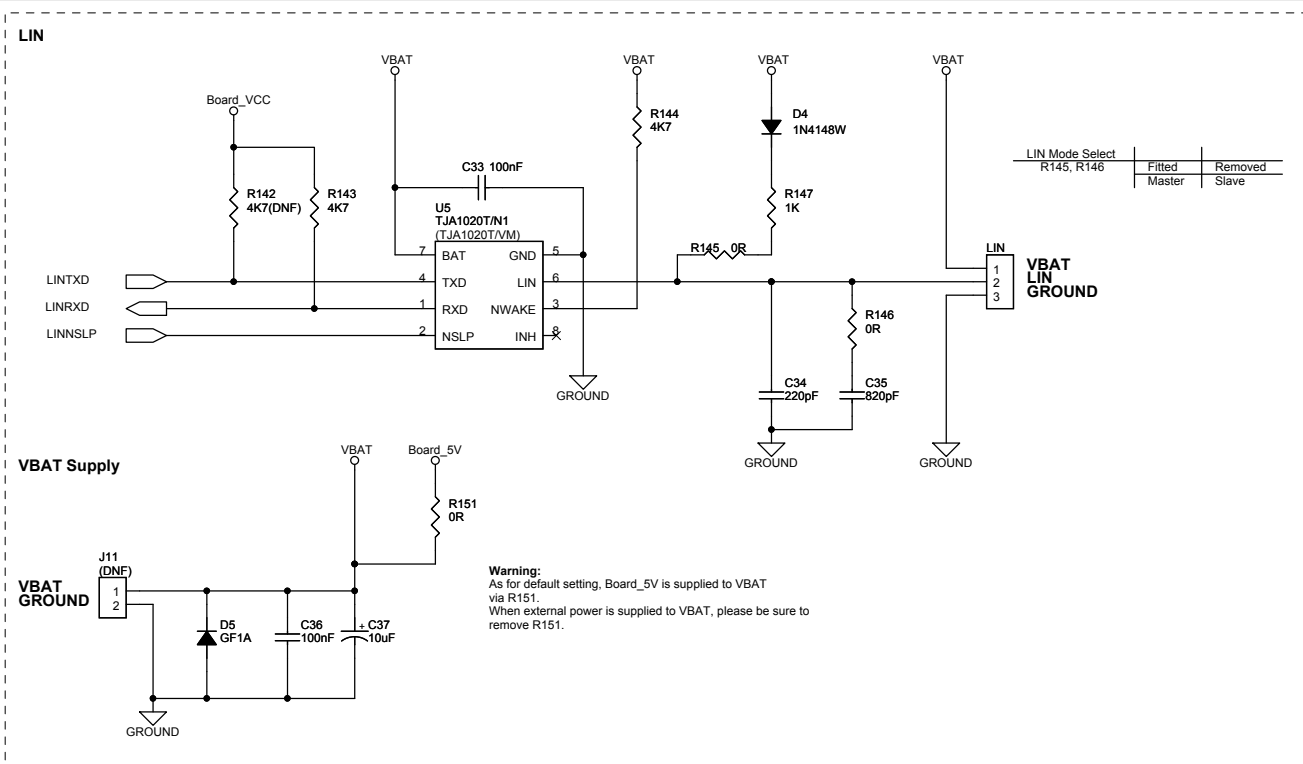
To App Header
(Do not connect MCU pins)

SCI0

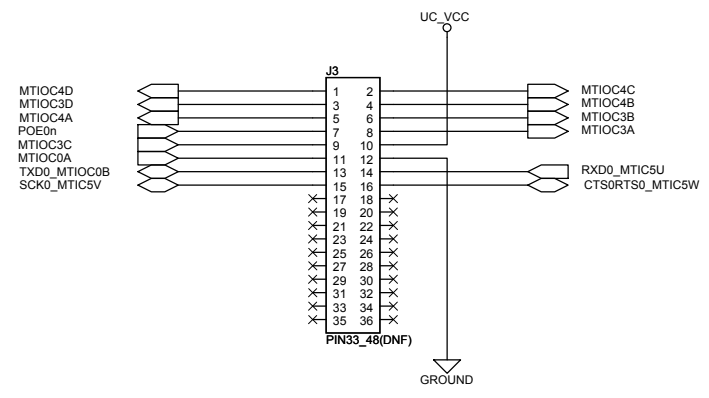
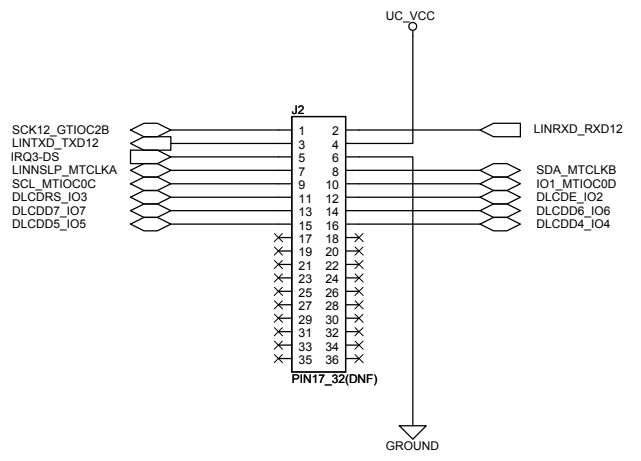
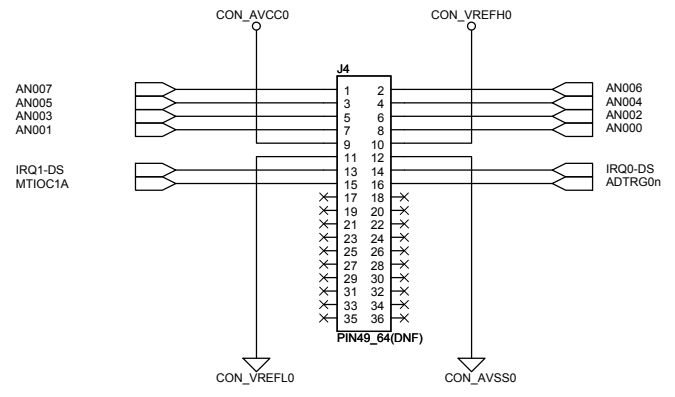
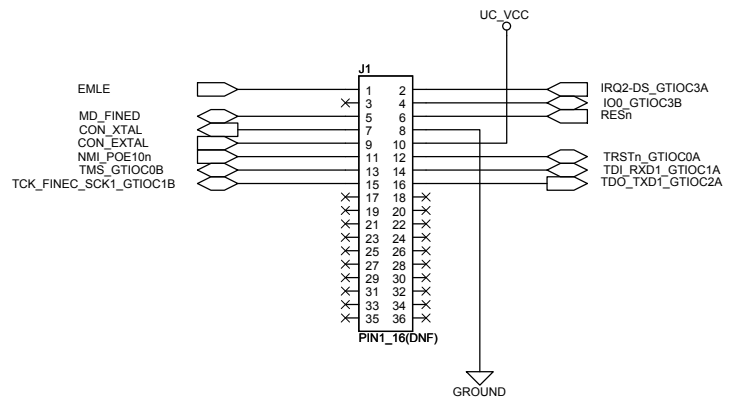
SCI1

Note:
SCI1(TXD1, RXD1 and SCK1) is sharing with the JTAG pins.
So, E1 and SCI1 are used exclusively.

SCI12



Microcontroller Pin Headers



Revision History

REV	STATUS	DATE	PAGE	DESCRIPTION
A1	Prototype	15.12.2011	---	1st revision.
A2	Prototype	19.12.2011	4	R65: DNF -> Fit R66: DNF -> Fit
			5	JA2.Pin3 netname was fixed (NMin -> NMI). Following netnames were fixed. DCLDD4 -> DLCDD4 DCLDD5 -> DLCDD5 DCLDD6 -> DLCDD6 DCLDD7 -> DLCDD7 DCLDE -> DLCDE DCLDRS -> DLCDRS
A3	Prototype	13.01.2012	5	JA2.Pin21 netname was fixed (MTIOC3C: PIN23 -> MTIOC3C: PIN21).
			6	Warning message was fixed.
1.00	WS/MP	30.10.2012	---	Revision update only.

Renesas Solutions Corp.		
Title		
RSKRX63T [Revision History]		
Size	Document Number	Rev
	R20UT0956EG0100	1.00
Date:	Tuesday, October 30, 2012	Sheet X of X