

Renesas Flash Programmer Sample Circuit for Programming by Using a PC's Serial Port

MCU Tool Product Marketing Department,
MCU Software Division, MCU Business Unit
Renesas Electronics Corporation

2012/10/24 Rev. 3.00

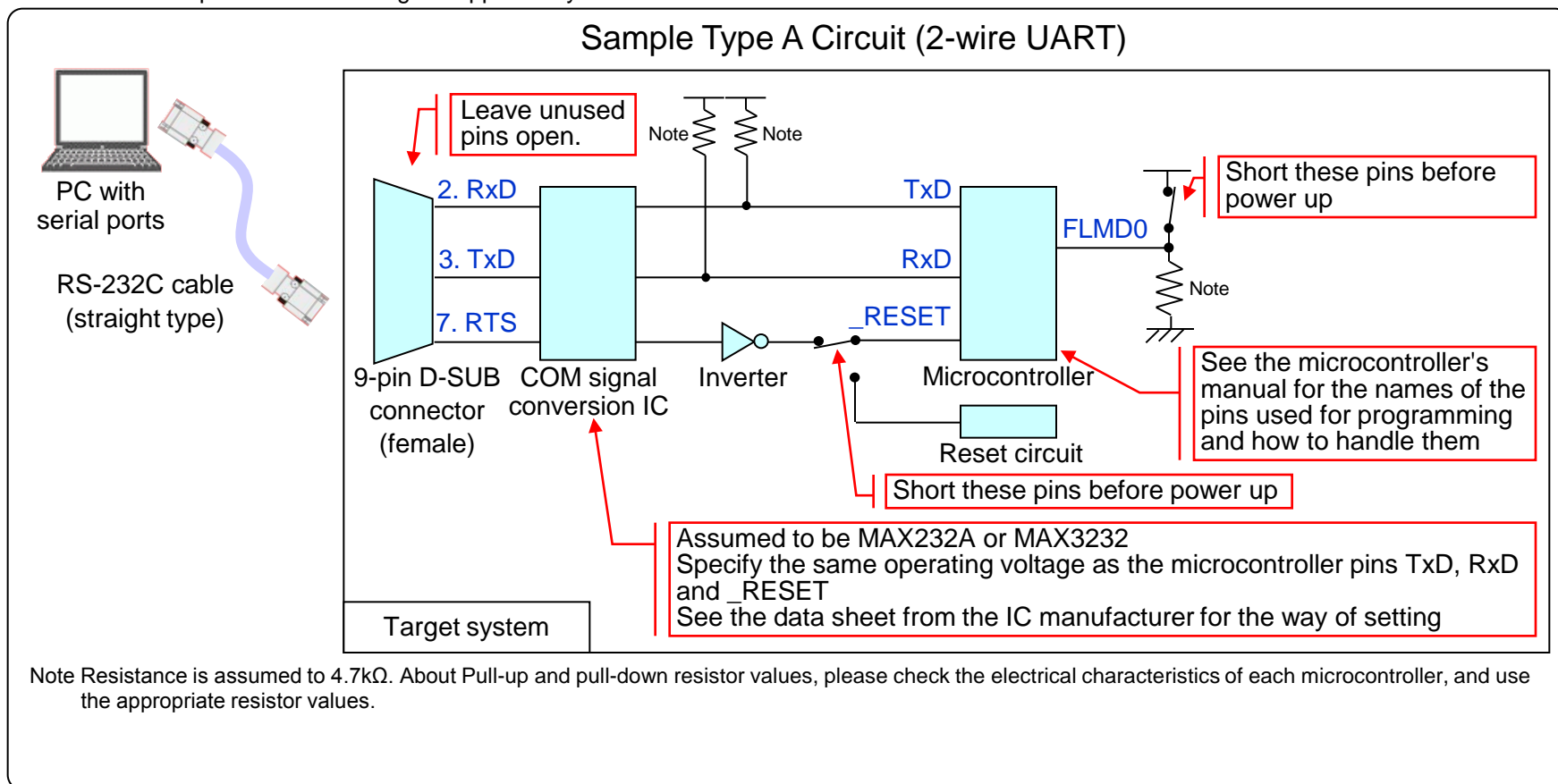
R20UT0857EJ0300

Sample Type A Circuit

R20UT0857EJ0300

This document describes sample circuits for programming the flash memory of a microcontroller by using Renesas Flash Programmer connected to a PC serial port. A sample circuit for each type is shown below. A list of the microcontroller models and types that can be used with Renesas Flash Programmer is available from "Renesas Flash Programmer target devices list" on the following website: <http://www.renesas.com/rfp>

Note: An operation check has been conducted for the sample circuit. However, there might be timing differences due to the characteristics of the target system and PC. The user is responsible for evaluating the circuit and determining whether the circuit can be applied to the user system. Renesas is not responsible concerning the applicability of the circuit.



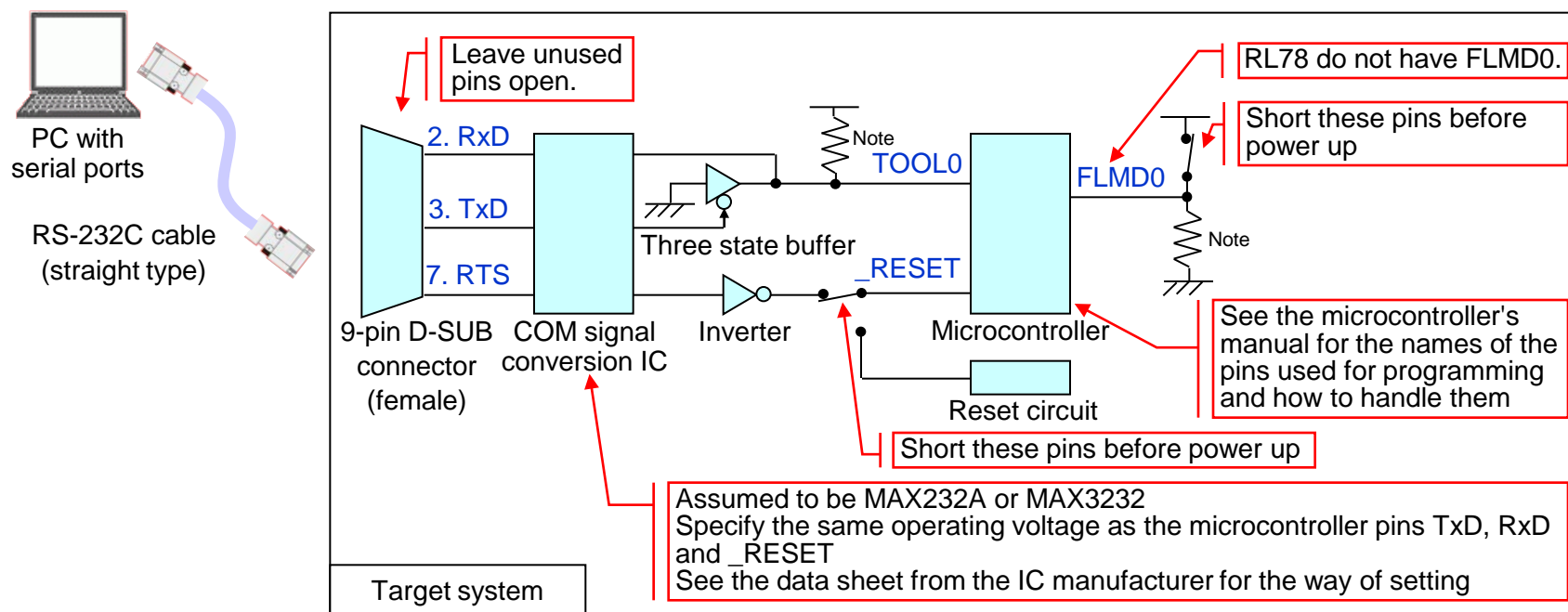
Sample Type B Circuit

R20UT0857EJ0300

This document describes sample circuits for programming the flash memory of a microcontroller by using Renesas Flash Programmer connected to a PC serial port. A sample circuit for each type is shown below. A list of the microcontroller models and types that can be used with Renesas Flash Programmer is available from "Renesas Flash Programmer target devices list" on the following website: <http://www.renesas.com/rfp>

Note: An operation check has been conducted for the sample circuit. However, there might be timing differences due to the characteristics of the target system and PC. The user is responsible for evaluating the circuit and determining whether the circuit can be applied to the user system. Renesas is not responsible concerning the applicability of the circuit.

Sample Type B Circuit (1-wire UART)



Note Resistance is assumed to 4.7kΩ. About Pull-up and pull-down resistor values, please check the electrical characteristics of each microcontroller, and use the appropriate resistor values.

Sample Type C Circuit

R20UT0857EJ0300

This document describes sample circuits for programming the flash memory of a microcontroller by using Renesas Flash Programmer connected to a PC serial port. A sample circuit for each type is shown below. A list of the microcontroller models and types that can be used with Renesas Flash Programmer is available from "Renesas Flash Programmer target devices list" on the following website: <http://www.renesas.com/rfp>

Note: An operation check has been conducted for the sample circuit. However, there might be timing differences due to the characteristics of the target system and PC. The user is responsible for evaluating the circuit and determining whether the circuit can be applied to the user system. Renesas is not responsible concerning the applicability of the circuit.

