

## ISL91117IIA-EVZ

### Description

The ISL91117 is a highly-integrated boost switching regulator for battery powered applications. The device provides a power supply solution for products using dual-cell or three-cell alkaline, NiCd or NiMH, or one-cell Li-ion or Li-polymer battery. The ISL91117IIA-EVZ platform allows quick evaluation of the high performance features of the ISL91117 high current boost regulator series.

### Specifications

The board is designed to operate at the following operating conditions:

- Input voltage rating from 1.8V to 4.8V
- Resistor programmable output voltage
- True disconnect input to output when disabled
- Up to 1.5A output current ( $P_{VIN} = 3.3V$ ,  $V_{OUT} = 5V$ )
- 2.5MHz switching frequency
- Operating temperature range:  $-40^{\circ}C$  to  $+85^{\circ}C$

### Key Board Features

- Small, compact design
- Jumper selectable EN (enabled/disabled)
- Jumper selectable MODE (auto-PFM/forced-PWM)
- Connectors, test points, and jumpers for easy probing

### References

ISL91117 Data Sheet, [FN8569](#)

### Ordering Information

PART NUMBER	DESCRIPTION
ISL91117IIA-EVZ	Evaluation Board for ISL91117IIAZ

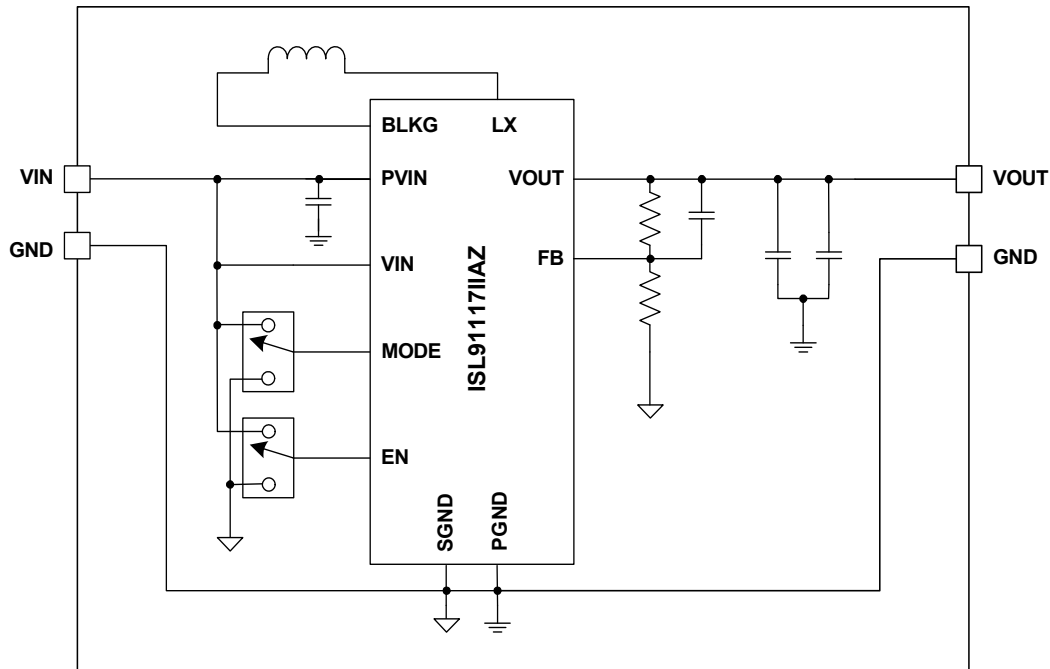


FIGURE 1. ISL91117IIA-EVZ BLOCK DIAGRAM

## Functional description

The ISL91117IIA-EVZ evaluation board provides simple platforms to demonstrate the feature of the ISL91117 high current boost regulator. The evaluation board has been functionally optimized for best performance of the ISL91117 IC series. The input power and load connections are provided through multi-pin connectors for high current operations.

The ISL91117IIA-EVZ evaluation board is shown in Figures 4 and 5. The board's enable function is controlled by the on-board jumper header J3. Similarly the Mode function is controlled by the on-board jumper header J4.

The schematic of the ISL91117IIA-EVZ evaluation board is shown in Figure 6. The PCB layout images for all layers are shown in Figures 7 through 10. The bill of materials of the ISL91117IIA-EVZ is shown in Table 2.

## Operating Range

The  $V_{IN}$  range of the board is 1.8V to 4.8V. The  $V_{OUT}$  range for the ISL91117IIA-EVZ is  $V_{IN}+0.2V$  to 5V. The  $I_{OUT}$  range of the board is 0 to 1.5A. The operating ambient temperature range is  $-40^{\circ}C$  to  $+85^{\circ}C$ .

## Quick Start Guide

For the ISL91117IIA-EVZ board, the default output voltage is set at 5V. Should other output voltages be desired, resistor R1 can be changed to set to a desired voltage as shown in Table 1 (use a resistor with 1% accuracy).

Refer to the following Quick Setup Guide to configure and power up the board for proper operation. During the power on process, the expected waveforms are shown in Figures 2 and 3.

## Quick Setup Guide

1. Install jumper on J3, shorting EN to VIN.
2. Install jumper on J4, shorting MODE to VIN.
3. Connect power supply to J1, with voltage setting between 1.8V and 4.8V.
4. Connect electronic load to J2.
5. Place scope probes on the  $V_{OUT}$  test point, and other test points of interest.
6. Turn on the power supply.
7. Monitor the output voltage start-up sequence on the scope. The waveforms will look similar to that shown in Figure 2.
8. Turn on the electronic load.
9. Measure the output voltage with the voltmeter. The voltage should regulate within datasheet spec limits.
10. To determine efficiency, measure input and output voltages at the Kelvin sense test points (S+ and S-), which are part of J1 and J2 headers. The bench power supply can be connected to the PVIN and GND headers on J1. The electronic load can be connected to the VOUT and GND headers on J2. Measure the input and output currents. Calculate efficiency based on these measurements.
11. To test external sync, remove the jumper at J4, then apply an external clock between 2.75MHz and 3.25MHz on the MODE input (the center pin of header J4).

12. Set the electronic load to constant current dynamic mode with 10mA to 1A pulse,  $t_{ON}=500\mu s$ . Check the load transient response as shown in Figure 3.

TABLE 1. OUTPUT VOLTAGE PROGRAMMING For ISL91117IIA-EVZ

DESIRED OUTPUT VOLTAGE (V)	R1 RESISTOR VALUES (k $\Omega$ )
2.0	90.9
2.5	127
3.0	165
3.3	187
3.6	210
4.0	243
4.5	280
5.0	316

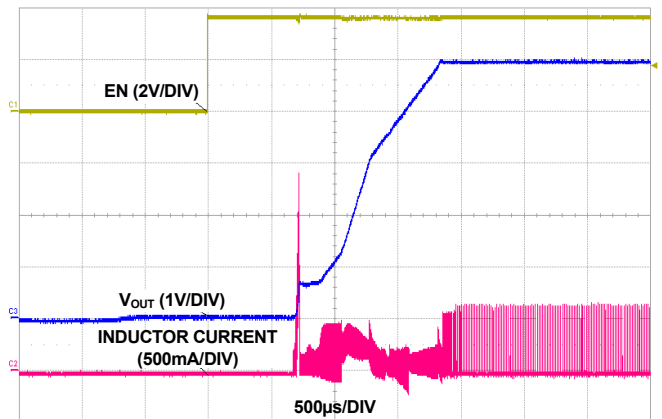


FIGURE 2. ISL91117 START-UP WITH  $V_{IN} = 3.6V$  and  $V_{OUT} = 5V$

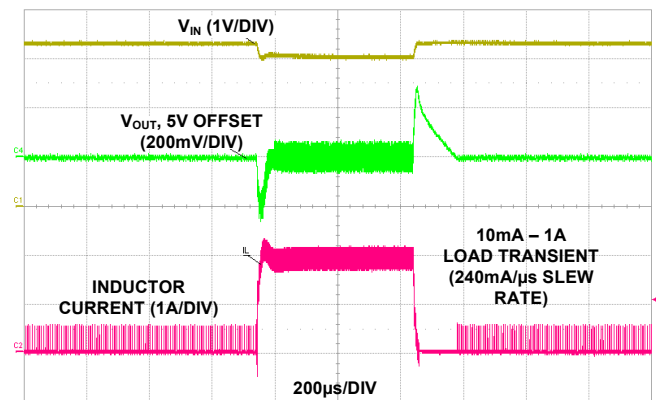


FIGURE 3. ISL91117 LOAD TRANSIENT AT  $V_{IN} = 3V$  AND  $V_{OUT} = 5V$

# ISL91117IIA-EVZ Evaluation Board

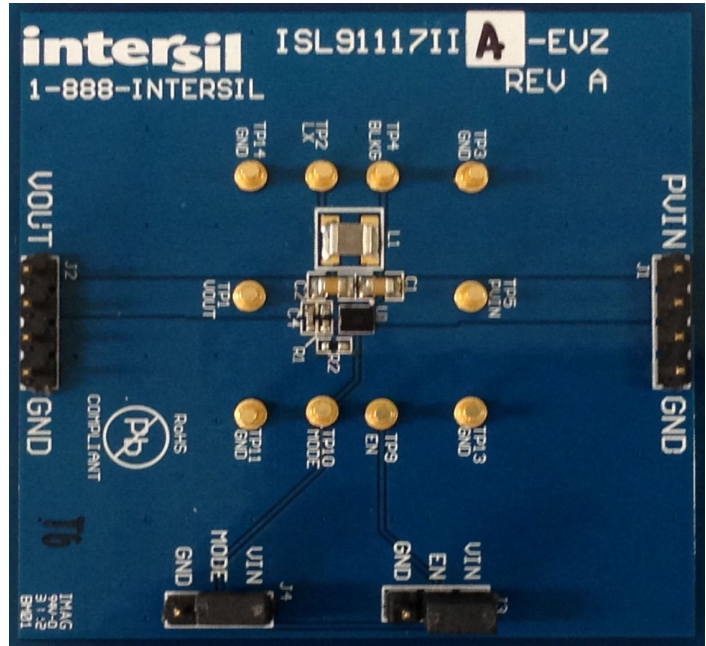


FIGURE 4. TOP VIEW

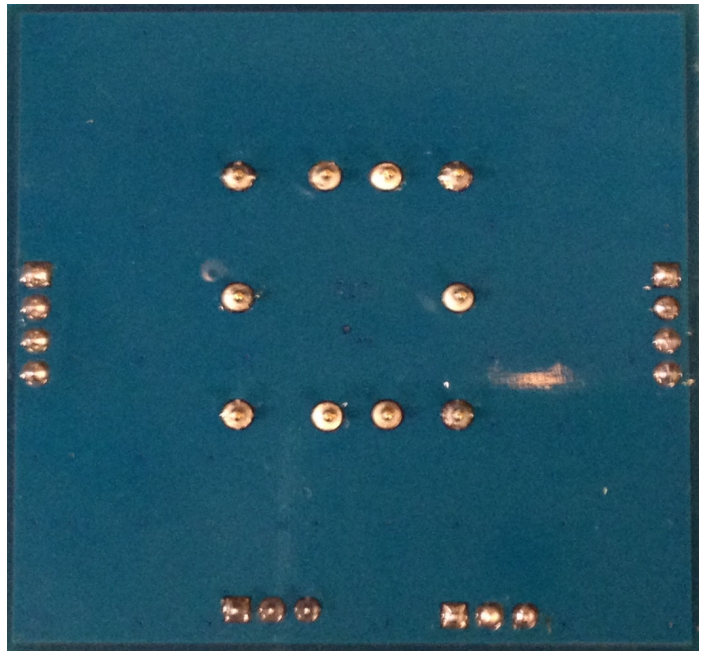


FIGURE 5. BOTTOM VIEW

# ISL91117IIA-EVZ Evaluation Board Schematic

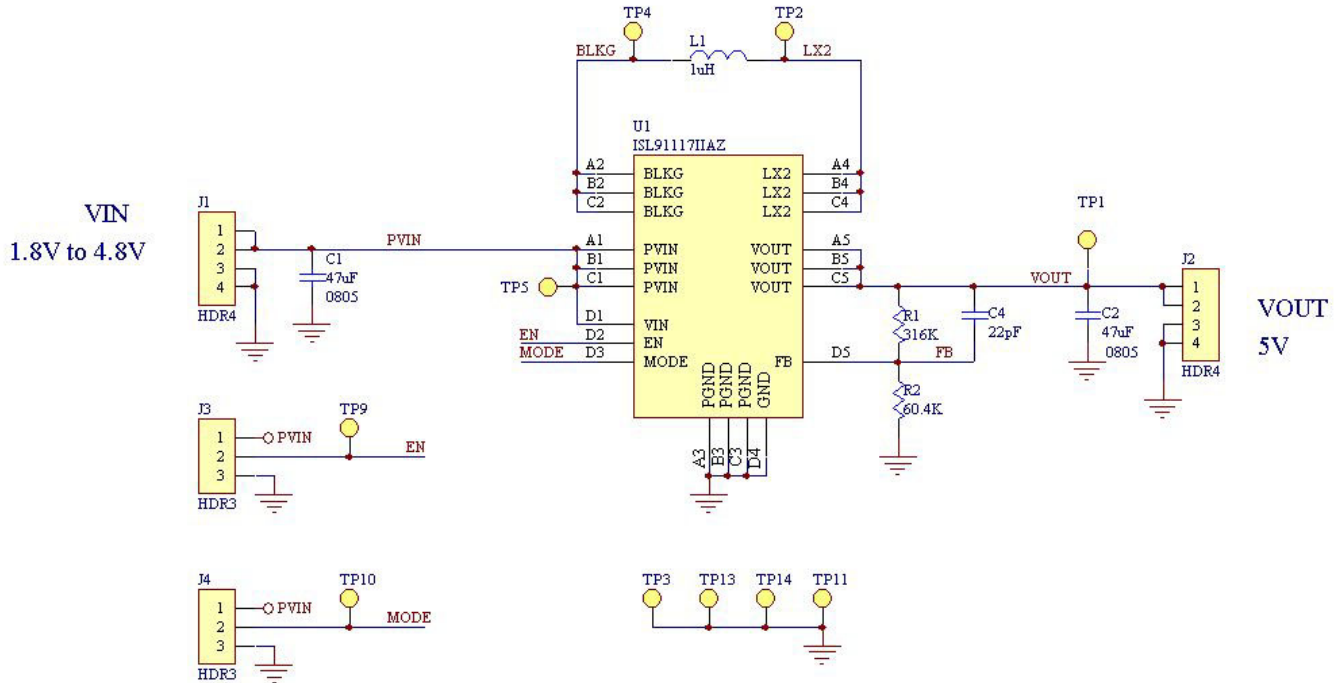


FIGURE 6. ISL91117IIA-EVZ EVALUATION BOARD SCHEMATIC

TABLE 2. ISL91117IIA-EVZ EVALUATION BOARD BILL OF MATERIALS

ITEM#	QTY	DESIGNATORS	PART TYPE	FOOTPRINT	DESCRIPTION	VENDORS
1	1	U1	ISL91117IIAZ	W4x5.20; WLCSP	ISL91117 Boost Regulator with Adjustable Output Voltage	RENESAS
2	1	L1	1µH	3.2mmx2.5mm	Power Inductor DFE322512C, 4.6A, 34mΩ	TOKO
3	2	C1, C2	47µF/6.3V/ X5R	0805	Capacitor, GRM21BR60J476ME15L	MURATA
4	1	C4	22pF	0402	Capacitor, Generic	ANY
5	1	R1	316kΩ, 1%	0402	Resistor, Generic	ANY
6	1	R2	60.4kΩ, 1%	0402	Resistor, Generic	ANY
7	2	J3, J4	HDR-3	HDR-3	Vert. Pin Header, 3-Pin, 0.1" Spacing, Generic	ANY
11	2	J1, J2	HDR-4	HDR-4	Vert. Pin Header, 4-Pin, 0.1" Spacing, Generic	ANY
12	9	TP1, TP2, TP4, TP5, TP9, TP10, TP11, TP13, TP14	TEST POINT	TEST POINT	Test Point, Thru-Hole, 3156-1-00-15-00-00-08-0	MILL-MAX PINS

# PCB Layout

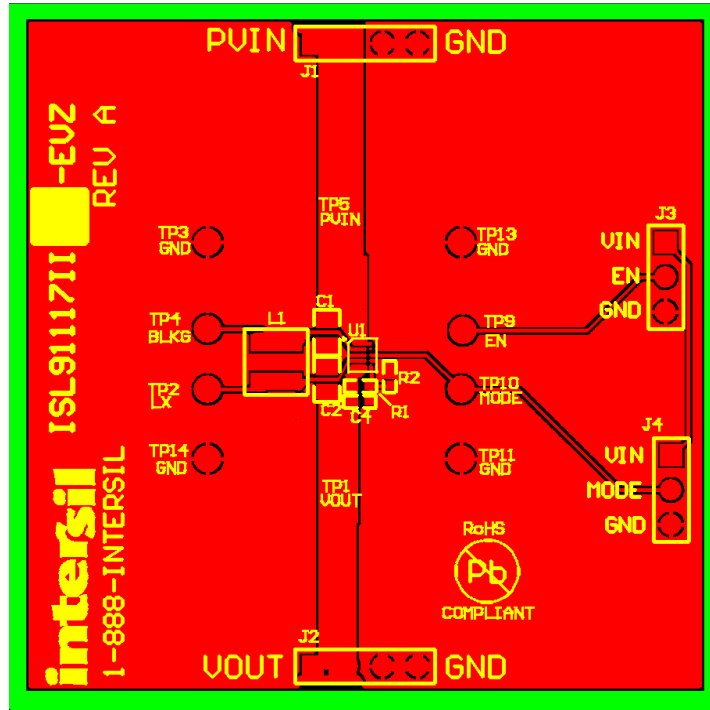


FIGURE 7. TOP LAYER

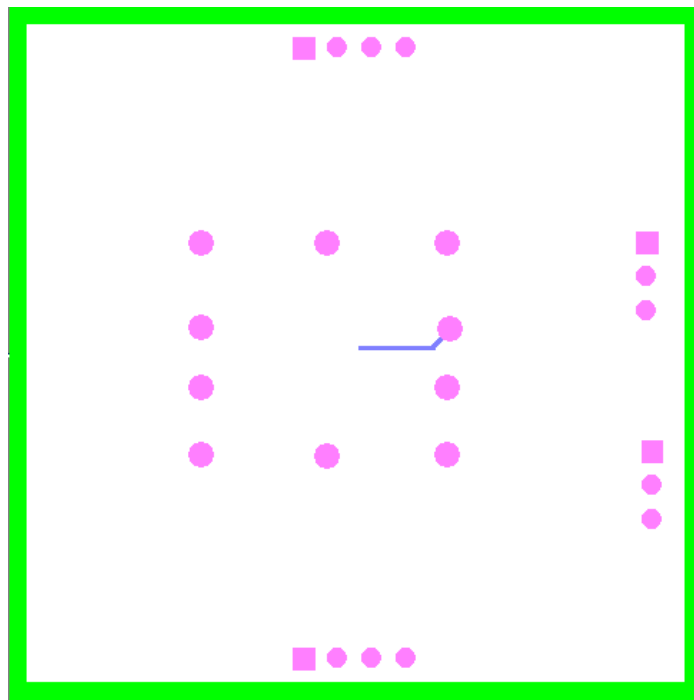


FIGURE 8. INNER LAYER 1

# PCB Layout (Continued)

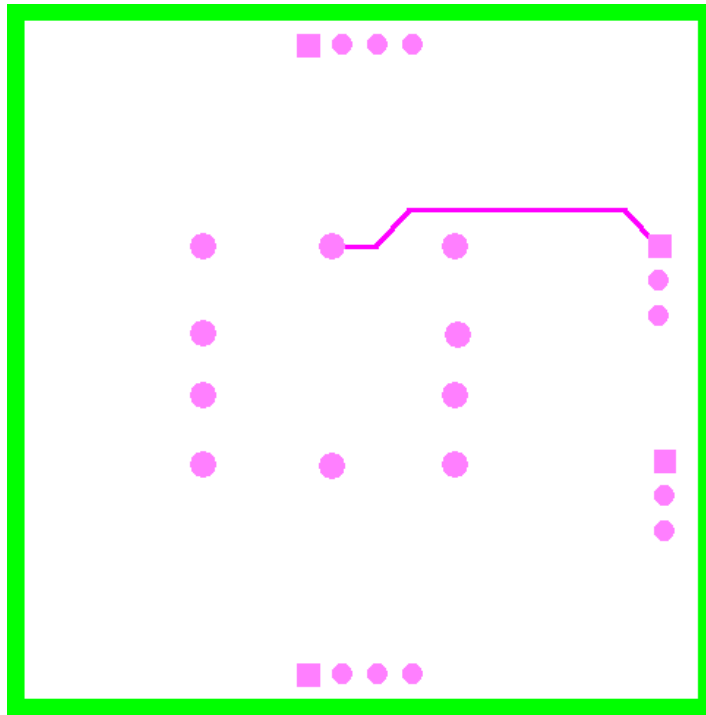


FIGURE 9. INNER LAYER 2

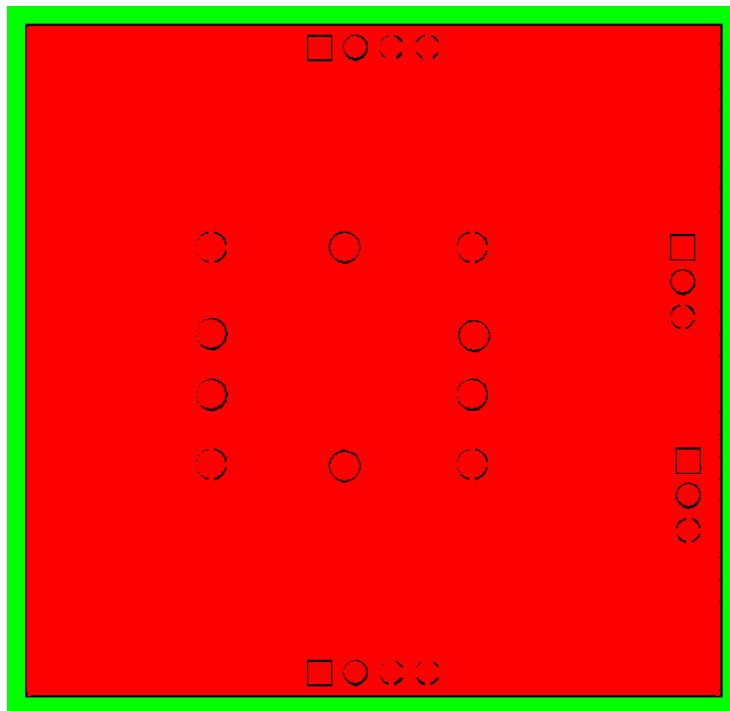


FIGURE 10. BOTTOM LAYER

---

## Revision History

REVISION	DATE	DESCRIPTION
1.00	Nov 13, 2023	Added Rev history table. Removed ISL91117II7-EVZ board information from document.
0.00	Mar 4, 2014	Initial release.

## IMPORTANT NOTICE AND DISCLAIMER

RENESAS ELECTRONICS CORPORATION AND ITS SUBSIDIARIES (“RENESAS”) PROVIDES TECHNICAL SPECIFICATIONS AND RELIABILITY DATA (INCLUDING DATASHEETS), DESIGN RESOURCES (INCLUDING REFERENCE DESIGNS), APPLICATION OR OTHER DESIGN ADVICE, WEB TOOLS, SAFETY INFORMATION, AND OTHER RESOURCES “AS IS” AND WITH ALL FAULTS, AND DISCLAIMS ALL WARRANTIES, EXPRESS OR IMPLIED, INCLUDING, WITHOUT LIMITATION, ANY IMPLIED WARRANTIES OF MERCHANTABILITY, FITNESS FOR A PARTICULAR PURPOSE, OR NON-INFRINGEMENT OF THIRD PARTY INTELLECTUAL PROPERTY RIGHTS.

These resources are intended for developers skilled in the art designing with Renesas products. You are solely responsible for (1) selecting the appropriate products for your application, (2) designing, validating, and testing your application, and (3) ensuring your application meets applicable standards, and any other safety, security, or other requirements. These resources are subject to change without notice. Renesas grants you permission to use these resources only for development of an application that uses Renesas products. Other reproduction or use of these resources is strictly prohibited. No license is granted to any other Renesas intellectual property or to any third party intellectual property. Renesas disclaims responsibility for, and you will fully indemnify Renesas and its representatives against, any claims, damages, costs, losses, or liabilities arising out of your use of these resources. Renesas' products are provided only subject to Renesas' Terms and Conditions of Sale or other applicable terms agreed to in writing. No use of any Renesas resources expands or otherwise alters any applicable warranties or warranty disclaimers for these products.

(Disclaimer Rev.1.0 Mar 2020)

### Corporate Headquarters

TOYOSU FORESIA, 3-2-24 Toyosu,  
Koto-ku, Tokyo 135-0061, Japan  
[www.renesas.com](http://www.renesas.com)

### Contact Information

For further information on a product, technology, the most up-to-date version of a document, or your nearest sales office, please visit:  
[www.renesas.com/contact/](http://www.renesas.com/contact/)

### Trademarks

Renesas and the Renesas logo are trademarks of Renesas Electronics Corporation. All trademarks and registered trademarks are the property of their respective owners.