

ISL54211EVAL1Z

Evaluation Board

AN1408
Rev 0.00
February 13, 2009

Description

The ISL54211EVAL1Z evaluation board is designed to provide a quick and easy method for evaluating the ISL54211 USB/Audio Switch IC.

The ISL54211 device is a unique IC. To use this evaluation board properly requires a thorough knowledge of the operation of the IC. Refer to the data sheet for an understanding of the functions and features of the device. Studying the device's truth-table along with its pinout diagram on page 2 of the data sheet is the best way to get a quick understanding of how the part works.

A picture of the main evaluation board is shown in Figure 1. The ISL54211 TDFN IC is soldered onto the evaluation board. It is located in the center of the board and is designated as U1.

The ISL54211 IC has three modes of operation called Audio mode, USB mode and Mute mode. The evaluation board contains standard Audio and USB connectors to allow the user to easily interface with the IC to evaluate its functions, features, and performance in these modes of operation.

For example, when the board is properly powered, a headphone can be plugged into the headphone jack (J7) and a stereo source, such as a MP3 player, can be connected at the RCA connectors J3 (AUDIO LEFT) and J4 (AUDIO RIGHT) to play music through the audio switches of the IC. See Figure 2. You can then turn-off the audio source, remove the headphones, configure the logic for USB operation and then attach a USB cable from a computer to the USB connector J1 (USB TO HOST). This will establish a connection from the computer through the USB switches of the IC to the USB device connected at the USB connector J2 (USB TO DEVICE), to send and receive data.

This application note will guide the user through the process of configuring and using the evaluation board to evaluate the ISL54211 device in both the Audio mode and the USB mode.

Features

- Standard USB Connectors
- RCA Audio Input Jacks and Headphone Speaker Jack
- Convenient Test Points and Connections for Test Equipment

Picture of Evaluation Board (Top View)

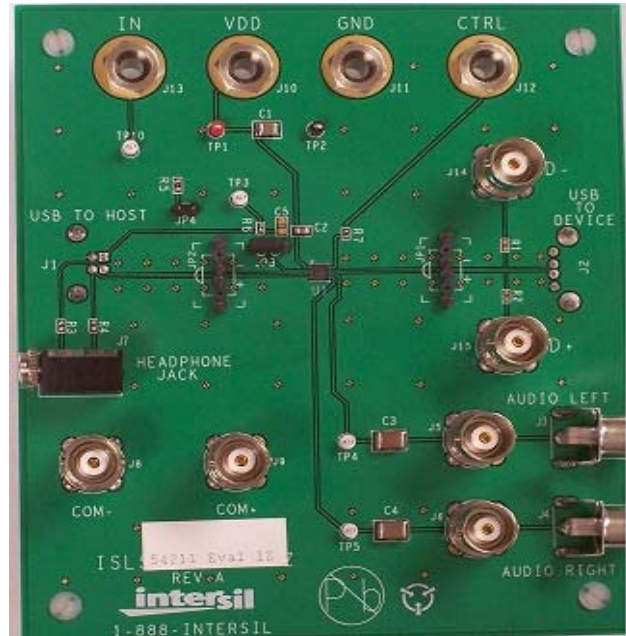


FIGURE 1. ISL54211EVAL1Z EVALUATION BOARD

Board Architecture/Layout

Basic Layout of Evaluation Board

The basic layout of the main board is as follows: Refer to Figure 1.

- Power and Ground connections are at the top of the board (J10 and J11).
- Logic control connections are at the top of the board (J12 and J13).
- Audio Source Inputs are at the lower right side of the board (J3 to J6). Audio outputs are at the lower left side of the board (J7, J8, J9). Connector J7 is a standard headphone jack for connecting a 32Ω headphone.
- USB connection to an upstream host controller (Computer) is made at connector J1, located on left underside of the board. USB connection to a downstream USB device is made at connector J2, located on right underside of the board.
- Located in the center of the board is the ISL54211 IC (U1). The evaluation board has a pin 1 dot, to show how the IC should be oriented on to the evaluation board. The IC pin 1 indicator dot needs to be aligned with the evaluation board pin 1 dot indicator.

Power Supply

The DC power supply connected at banana jacks J10 (VDD) and J11 (GND) provides power to the part. The IC requires a 2.7V to 5.0V DC power supply for proper operation. The power supply should be capable of delivering 100 μ A of current.

Logic Control

The state of the ISL54211 device is determined by the voltage at the IN pin and the CTRL pin.

Access to the CTRL pin is through the banana jack J12 (CTRL).

Access to the IN pin is through banana jack J13 (IN) when jumper JP3 is in position 2 to 3 and through the USB J1 (USB TO HOST) connector V_{BUS} line when the jumper JP3 is in position 2 to 1.

These control pins are 1.8V logic compatible which allows for control via a standard μ controller.

Logic "0" (LOW) when $\leq 0.5V$ or floating

Logic "1" (HIGH) when $\geq 1.4V$

Note: The evaluation board has the option of putting a 4M Ω pull-down resistor from the IN pin to ground by putting a jumper at JP4. However it is not required for the ISL54211 part because the IN and CTRL pins have internal 4M Ω pull-down resistors. These resistors pull the logic pins to ground when J13, J1, or J12 are floated.

If IN is driven LOW, and CTRL is HIGH, the part will be in the Audio mode. The audio switches will be ON and the USB switches will be OFF.

If IN is driven HIGH and CTRL = X, (don't care) the part will be in the USB mode. The USB switches will be ON and the audio switches will be OFF.

If IN is LOW and CTRL is LOW, the part will be in the MUTE mode. In MUTE mode all switches are OPEN.

SETTING UP THE EVALUATION BOARD TO USE THE COMPUTER V_{BUS} VOLTAGE TO DRIVE THE "IN" PIN

Rather than using a logic controller to control the IN logic pin through the J13 (IN) banana jack, you can directly drive the IN pin using the V_{BUS} voltage from the computer through the USB J1 (USB TO HOST) connector.

To control the part through the J1 connector make the following connections:

1. Install jumper JP3 at location 2 to 1. This connects the V_{BUS} line of the J1 USB connector to the IN pin of the part. Note: With the jumper in this position the J13 banana jack is no longer connected to the IN pin of the part.
2. A 500k Ω resistor should be put in series with the IN pin if the V_{BUS} voltage is greater than the VDD voltage. This series resistor is not on the evaluation board. There is an internal diode in the IC from the IN pin to VDD that will get

forward biased and draw current as the voltage at the IN pin exceeds the VDD voltage. With $V_{BUS} = 5.25V$ and $VDD = 3.3V$, this resistor will limit the current to around 2.76 μ A and the voltage at the IN pin will be around 3.6V which is well above the V_{inH} min level of 1.4V required for proper operation.

When the computer is not connected at J1, the internal pull-down will pull the IN pin low putting the ISL54211 in the Audio mode or Mute mode depending on the condition of the CTRL pin.

When a USB cable from the computer is connected at J1, the voltage at the IN pin will be driven high and the part will automatically go into the USB mode.

When the USB cable is disconnected from the J1 connector the voltage at the IN pin will be pulled low by the pull-down resistor and return to the Audio mode or Mute mode depending on the condition of the CTRL pin.

Audio Inputs

The evaluation board has two audio inputs labeled AUDIO LEFT (J3 or J5) and AUDIO RIGHT (J4 or J6). Each of these inputs have a BNC connector wired in parallel with a RCA jack connector. You can connect an audio source/generator at either the BNC connector or the RCA connector.

In a typical application the left and right outputs of a stereo source, such as an MP3 player, would be connect to the RCA jacks J3 and J4, respectfully.

Over a signal range of $\pm 1V$ (0.707 V_{RMS}) these switches have an extremely low r_{ON} resistance variation. They can pass ground referenced audio signals with very low distortion (<0.05% THD+N) when delivering 15.6mW into a 32W headphone speaker load. A 3V $_{P-P}$ signal is acceptable but performance will degrade.

The audio channels are AC coupled with 100 μ F capacitors. These caps remove any DC voltage from the audio signals and reference them to ground of the device. If the audio source being connected to the evaluation board already has AC coupling capacitors at the output of its drivers then the capacitors on the evaluation board should be shorted out (replaced with 0 Ω resistors). This will prevent further attenuation of the low frequency content of the audio signal due to the increase of the high-pass corner frequency resulting from the evaluation board capacitor in series with the audio source capacitor.

Audio Outputs

The evaluation board has a standard headphone jack labeled HEADPHONE JACK (J7). A 32W stereo headphone should be plugged into this jack.

The BNC connector J8 (COM-) is in parallel with the audio left line of the headphone jack and the D- line of the J1 (USB To HOST) connector. The BNC connector J9 (COM+) is in parallel with the audio right line of the headphone jack and

the D+ line of the J1 (USB To HOST) connector. These BNC connectors can be used to connect resistive loads and/or test equipment to evaluate the performance of the IC.

USB Connections

A “B” type USB receptacle labeled “USB TO HOST” (J1) is located on the left under-side of the board. This receptacle should be connected, using a standard USB cable, to the up-stream USB host controller which is usually a PC computer or hub. When this connection is made and the IN logic control is driven HIGH, the ISL54211 device will go into USB mode. The USB switches will be turned ON.

An “A” type USB receptacle labeled USB TO DEVICE (J2) is located on the right under-side of the board. The USB device can be plugged directly into this receptacle or through a standard USB cable.

In USB mode the USB host controller and USB device will be connected through the internal USB switches of the IC. The USB switches are bi-directional which allow the host (computer) and downstream USB device to both send and receive data.

Note: Before connecting the USB host controller at connector J1, the headphones must be removed from the headphone speaker jack, J7. This will prevent the audio load from interfering with USB signal transmission.

The main purpose of the ISL54211 device is to allow the use of a common USB and Audio Headphone Connector in Personal Media Players and other portable battery powered equipment. Either a headphone will be in the common connector to play music or a USB cable from a computer will be in the common connector to transmit digital data, such as music, into the memory of the media player.

The BNC connector J8 (COM-) is in parallel with the D- line of the J1 USB connector. The BNC connector J9 (COM+) is in parallel with the D+ line of the J1 USB connector.

The BNC connector J14 (D-) is in parallel with the D- line of the J2 USB connector. The BNC connector J15 (D+) is in parallel with the D+ line of the J2 USB connector. If you want to use the J14 and J15 BNC connectors you must populate R1 and R2 with 0Ω resistors. These BNC connectors can be used to connect test equipment to evaluate the performance of the IC.

Board Component Definitions

TABLE 1. BOARD COMPONENT DEFINITIONS

DESIGNATOR	DESCRIPTION
U1	ISL54211IRUZ IC
J1	“B” type USB Receptacle
J2	“A” type USB Receptacle
J3, J5	Left Stereo Audio Input
J4, J6	Right Stereo Audio Input
J7	Headphone Speaker Jack
J8	COM- BNC Connector
J9	COM+ BNC Connector
J10	VDD Positive Connection
J11	VDD Negative Connection
J12	CTRL Logic Control
J13	IN Logic Control
J14	D- BNC Connector
J15	D+ BNC Connector
JP1, JP2	D-/D+ Differential Probe Connection
JP3	IN Pin Connector Selection Jumper Position 2 - 3 Control through J13 Jumper Position 2 - 1 Control through J1
JP4	Connect $4M\Omega$ Pull-down Resistor to IN Pin Not required for the ISL54211 part.

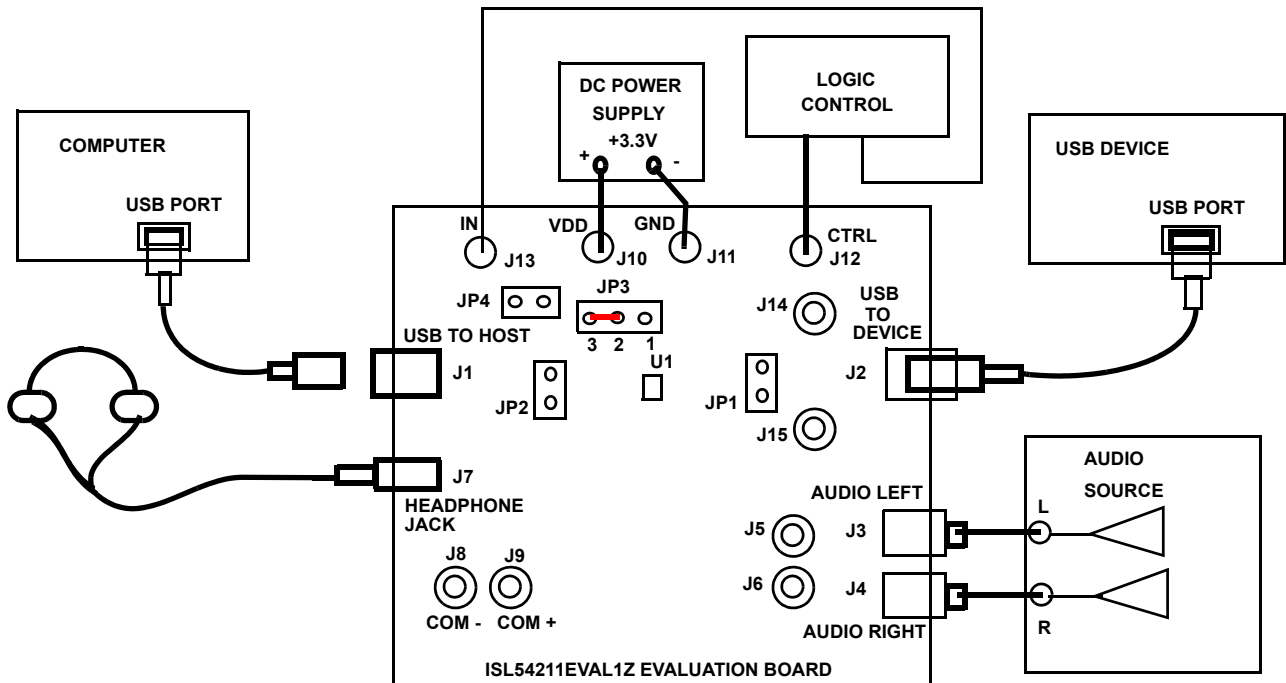


FIGURE 2. BASIC EVALUATION TEST SETUP BLOCK DIAGRAM

Using The Board (Refer to Figure 2)

Lab Equipment

The equipment, external supplies and signal sources needed to operate the board are listed below:

1. +3V to 5V DC Power Supply
2. Stereo Audio Source (MP3/Radio/CD Player) or Audio Generator
3. Headphone Set or Audio Analyzer/Oscilloscope
4. Two standard High-speed USB cables
5. Computer with USB port
6. USB device (i.e. USB memory stick, MP3 Player with USB port, etc.)

Initial Board Setup Procedure

1. Attach the main evaluation board to a DC power supply at J10 (VDD) and J11 (GND). Positive terminal at J10 and negative terminal at J11. The supply should be capable of delivering 3V to 5V and 100 μ A of current. Set the supply voltage to 3.3V.
2. Connect the stereo audio source left channel to J3 RCA connector or J5 BNC connector and right channel to J4 RCA connector or J6 BNC connector.
3. Connect the USB device to the USB "B" type receptacle, J2 (USB TO DEVICE).

Audio Mode Operation

1. Install headphone in the headphone jack, J7. No USB cable should be connected at the J1 (USB TO HOST) connector.
2. Logic Control: Put CTRL = Logic "1" and IN = Logic "0". You will now be in Audio mode (2.4 Ω audio switches are ON).
3. Turn the audio source ON. You should hear the music in the headphones.
4. You can observe the audio signals at the output of the IC on an oscilloscope or audio analyzer by using the J8 and J9 BNC connectors. Connect to J8 for Left audio and J9 for right audio.

USB Mode Operation

1. Turn OFF audio stereo source.
2. Remove headphone from J7 Headphone Jack.
3. Logic Control: Put CTRL = Logic "X" and IN = Logic "1". You will now be in USB mode (5.4 Ω USB switches are ON).
4. Connect USB cable from computer USB port to the USB "A" type receptacle, J1 (USB TO HOST) on the evaluation board. The computer should indicate that it is connected to the USB device connected at the J2 connector.
5. You will now be able to send and receive data between the computer and USB device.

6. You can observe the D- and D+ USB digital signals on an oscilloscope or other test equipment by connecting to the J8, J14, J9 and J15 BNC connectors or various test points located on the board (see Test Points page 5).
7. Remove the 0 Ω resistors R1, R2, R3, R4 when evaluating the signal quality (i.e. eye diagram, etc.) of the high speed USB signal. Removal of these resistors disconnects the headphone jack (J7) and BNC connectors (J8, J9, J14, J15) from the USB differential lines. These components when connected will degrade the USB signal. These components will not be there in an actual application.

If you disconnect the USB cable from J1 and take the IN pin LOW, the IC will return to Audio mode. You can now plug the headphone set into headphone jack, turn the audio source ON to once again play music.

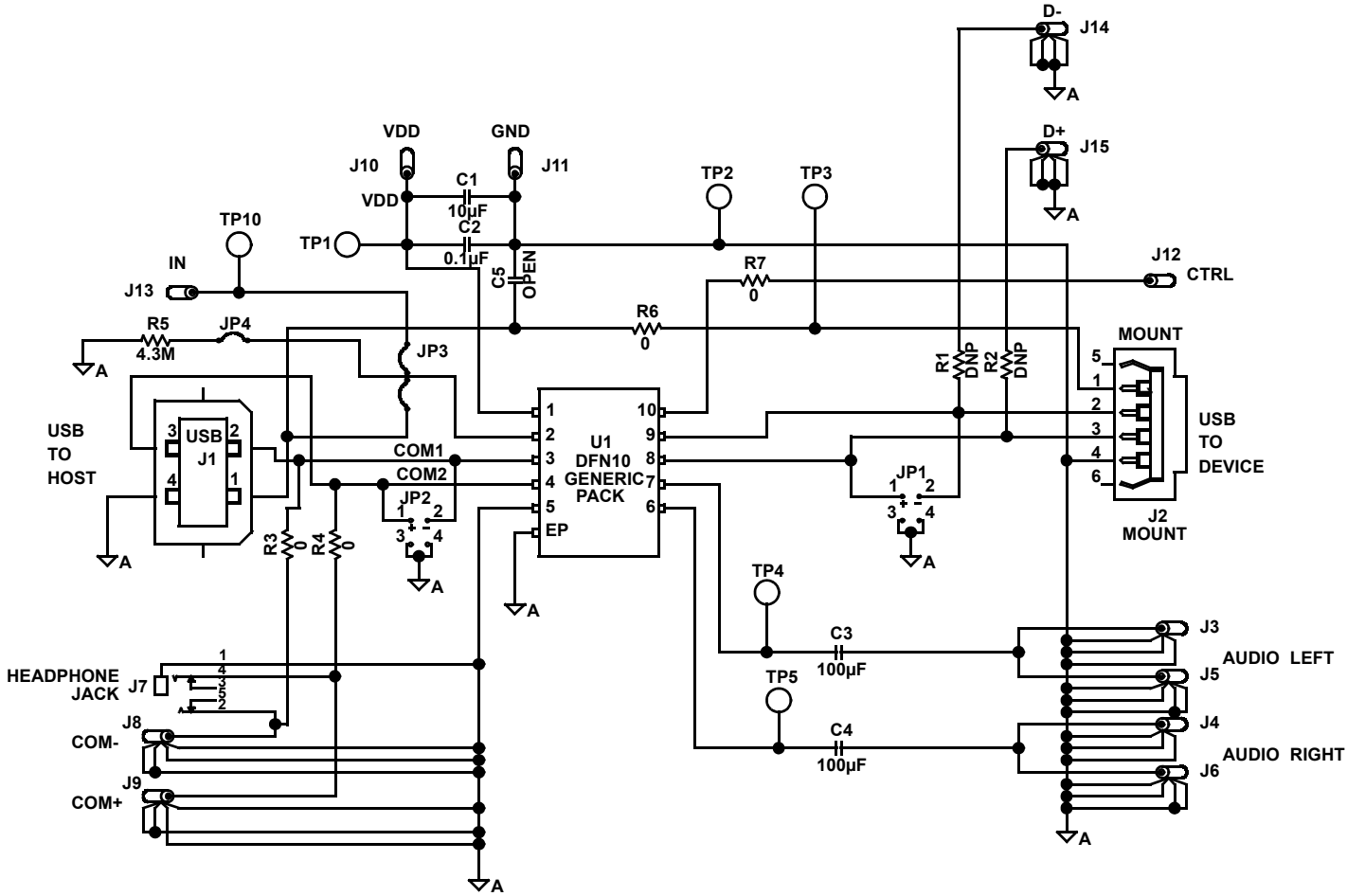
Test Points

The board has various test points for ease of connecting probes to make measurements. The test points available are described in Table 2.

TABLE 2.

DESIGNATOR	DESCRIPTION
TP1	V _{DD} Test Point
TP2	Ground Test Point
TP3	V _{BUS} Test Point
TP4	Audio Left Input Test Point
TP5	Audio Right Input Test Point
JP1	D-/D+ Differential Probe Connection - USB Device Side of Switch
JP2	D-/D+ Differential Probe Connection - COM Side of Switch

Board Schematic



Notice

1. Descriptions of circuits, software and other related information in this document are provided only to illustrate the operation of semiconductor products and application examples. You are fully responsible for the incorporation or any other use of the circuits, software, and information in the design of your product or system. Renesas Electronics disclaims any and all liability for any losses and damages incurred by you or third parties arising from the use of these circuits, software, or information.
2. Renesas Electronics hereby expressly disclaims any warranties against and liability for infringement or any other claims involving patents, copyrights, or other intellectual property rights of third parties, by or arising from the use of Renesas Electronics products or technical information described in this document, including but not limited to, the product data, drawings, charts, programs, algorithms, and application examples.
3. No license, express, implied or otherwise, is granted hereby under any patents, copyrights or other intellectual property rights of Renesas Electronics or others.
4. You shall not alter, modify, copy, or reverse engineer any Renesas Electronics product, whether in whole or in part. Renesas Electronics disclaims any and all liability for any losses or damages incurred by you or third parties arising from such alteration, modification, copying or reverse engineering.
5. Renesas Electronics products are classified according to the following two quality grades: "Standard" and "High Quality". The intended applications for each Renesas Electronics product depends on the product's quality grade, as indicated below.
"Standard": Computers; office equipment; communications equipment; test and measurement equipment; audio and visual equipment; home electronic appliances; machine tools; personal electronic equipment; industrial robots; etc.
"High Quality": Transportation equipment (automobiles, trains, ships, etc.); traffic control (traffic lights); large-scale communication equipment; key financial terminal systems; safety control equipment; etc.
Unless expressly designated as a high reliability product or a product for harsh environments in a Renesas Electronics data sheet or other Renesas Electronics document, Renesas Electronics products are not intended or authorized for use in products or systems that may pose a direct threat to human life or bodily injury (artificial life support devices or systems; surgical implantations; etc.), or may cause serious property damage (space system; undersea repeaters; nuclear power control systems; aircraft control systems; key plant systems; military equipment; etc.). Renesas Electronics disclaims any and all liability for any damages or losses incurred by you or any third parties arising from the use of any Renesas Electronics product that is inconsistent with any Renesas Electronics data sheet, user's manual or other Renesas Electronics document.
6. When using Renesas Electronics products, refer to the latest product information (data sheets, user's manuals, application notes, "General Notes for Handling and Using Semiconductor Devices" in the reliability handbook, etc.), and ensure that usage conditions are within the ranges specified by Renesas Electronics with respect to maximum ratings, operating power supply voltage range, heat dissipation characteristics, installation, etc. Renesas Electronics disclaims any and all liability for any malfunctions, failure or accident arising out of the use of Renesas Electronics products outside of such specified ranges.
7. Although Renesas Electronics endeavors to improve the quality and reliability of Renesas Electronics products, semiconductor products have specific characteristics, such as the occurrence of failure at a certain rate and malfunctions under certain use conditions. Unless designated as a high reliability product or a product for harsh environments in a Renesas Electronics data sheet or other Renesas Electronics document, Renesas Electronics products are not subject to radiation resistance design. You are responsible for implementing safety measures to guard against the possibility of bodily injury, injury or damage caused by fire, and/or danger to the public in the event of a failure or malfunction of Renesas Electronics products, such as safety design for hardware and software, including but not limited to redundancy, fire control and malfunction prevention, appropriate treatment for aging degradation or any other appropriate measures. Because the evaluation of microcomputer software alone is very difficult and impractical, you are responsible for evaluating the safety of the final products or systems manufactured by you.
8. Please contact a Renesas Electronics sales office for details as to environmental matters such as the environmental compatibility of each Renesas Electronics product. You are responsible for carefully and sufficiently investigating applicable laws and regulations that regulate the inclusion or use of controlled substances, including without limitation, the EU RoHS Directive, and using Renesas Electronics products in compliance with all these applicable laws and regulations. Renesas Electronics disclaims any and all liability for damages or losses occurring as a result of your noncompliance with applicable laws and regulations.
9. Renesas Electronics products and technologies shall not be used for or incorporated into any products or systems whose manufacture, use, or sale is prohibited under any applicable domestic or foreign laws or regulations. You shall comply with any applicable export control laws and regulations promulgated and administered by the governments of any countries asserting jurisdiction over the parties or transactions.
10. It is the responsibility of the buyer or distributor of Renesas Electronics products, or any other party who distributes, disposes of, or otherwise sells or transfers the product to a third party, to notify such third party in advance of the contents and conditions set forth in this document.
11. This document shall not be reprinted, reproduced or duplicated in any form, in whole or in part, without prior written consent of Renesas Electronics.
12. Please contact a Renesas Electronics sales office if you have any questions regarding the information contained in this document or Renesas Electronics products.
(Note 1) "Renesas Electronics" as used in this document means Renesas Electronics Corporation and also includes its directly or indirectly controlled subsidiaries.
(Note 2) "Renesas Electronics product(s)" means any product developed or manufactured by or for Renesas Electronics.

(Rev.4.0-1 November 2017)



SALES OFFICES

Renesas Electronics Corporation

<http://www.renesas.com>

Refer to "<http://www.renesas.com/>" for the latest and detailed information.

Renesas Electronics America Inc.
1001 Murphy Ranch Road, Milpitas, CA 95035, U.S.A.
Tel: +1-408-432-8888, Fax: +1-408-434-5351

Renesas Electronics Canada Limited
9251 Yonge Street, Suite 8309 Richmond Hill, Ontario Canada L4C 9T3
Tel: +1-905-237-2004

Renesas Electronics Europe Limited
Dukes Meadow, Millboard Road, Bourne End, Buckinghamshire, SL8 5FH, U.K
Tel: +44-1628-651-700, Fax: +44-1628-651-804

Renesas Electronics Europe GmbH
Arcadiastrasse 10, 40472 Düsseldorf, Germany
Tel: +49-211-6503-0, Fax: +49-211-6503-1327

Renesas Electronics (China) Co., Ltd.
Room 1709 Quantum Plaza, No.27 ZhichunLu, Haidian District, Beijing, 100191 P. R. China
Tel: +86-10-8235-1155, Fax: +86-10-8235-7679

Renesas Electronics (Shanghai) Co., Ltd.
Unit 301, Tower A, Central Towers, 555 Langao Road, Putuo District, Shanghai, 200333 P. R. China
Tel: +86-21-2226-0888, Fax: +86-21-2226-0999

Renesas Electronics Hong Kong Limited
Unit 1601-1611, 16/F., Tower 2, Grand Century Place, 193 Prince Edward Road West, Mongkok, Kowloon, Hong Kong
Tel: +852-2265-6688, Fax: +852-2886-9022

Renesas Electronics Taiwan Co., Ltd.
13F, No. 363, Fu Shing North Road, Taipei 10543, Taiwan
Tel: +886-2-8175-9600, Fax: +886-2-8175-9670

Renesas Electronics Singapore Pte. Ltd.
80 Bendemeer Road, Unit #06-02 Hyflux Innovation Centre, Singapore 339949
Tel: +65-6213-0200, Fax: +65-6213-0300

Renesas Electronics Malaysia Sdn.Bhd.
Unit 1207, Block B, Menara Amcorp, Amcorp Trade Centre, No. 18, Jln Persiaran Barat, 46050 Petaling Jaya, Selangor Darul Ehsan, Malaysia
Tel: +60-3-7955-9390, Fax: +60-3-7955-9510

Renesas Electronics India Pvt. Ltd.
No.777C, 100 Feet Road, HAL 2nd Stage, Indiranagar, Bangalore 560 038, India
Tel: +91-80-67208700, Fax: +91-80-67208777

Renesas Electronics Korea Co., Ltd.
17F, KAMCO Yangjae Tower, 262, Gangnam-daero, Gangnam-gu, Seoul, 06265 Korea
Tel: +82-2-558-3737, Fax: +82-2-558-5338