

Evaluation System for Stepping Motor with Resolver
(RTK0EMX270C02000BJ)
Schematic

- 01 : Contents
- 02 : RX24T
- 03 : Connector
- 04 : RDC
- 05 : History

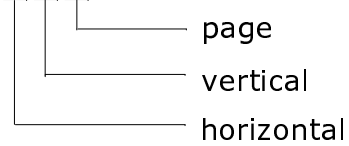
Supplementary explanation :

DNF : unmounted part

Access point : <horizontal, vertical, page>

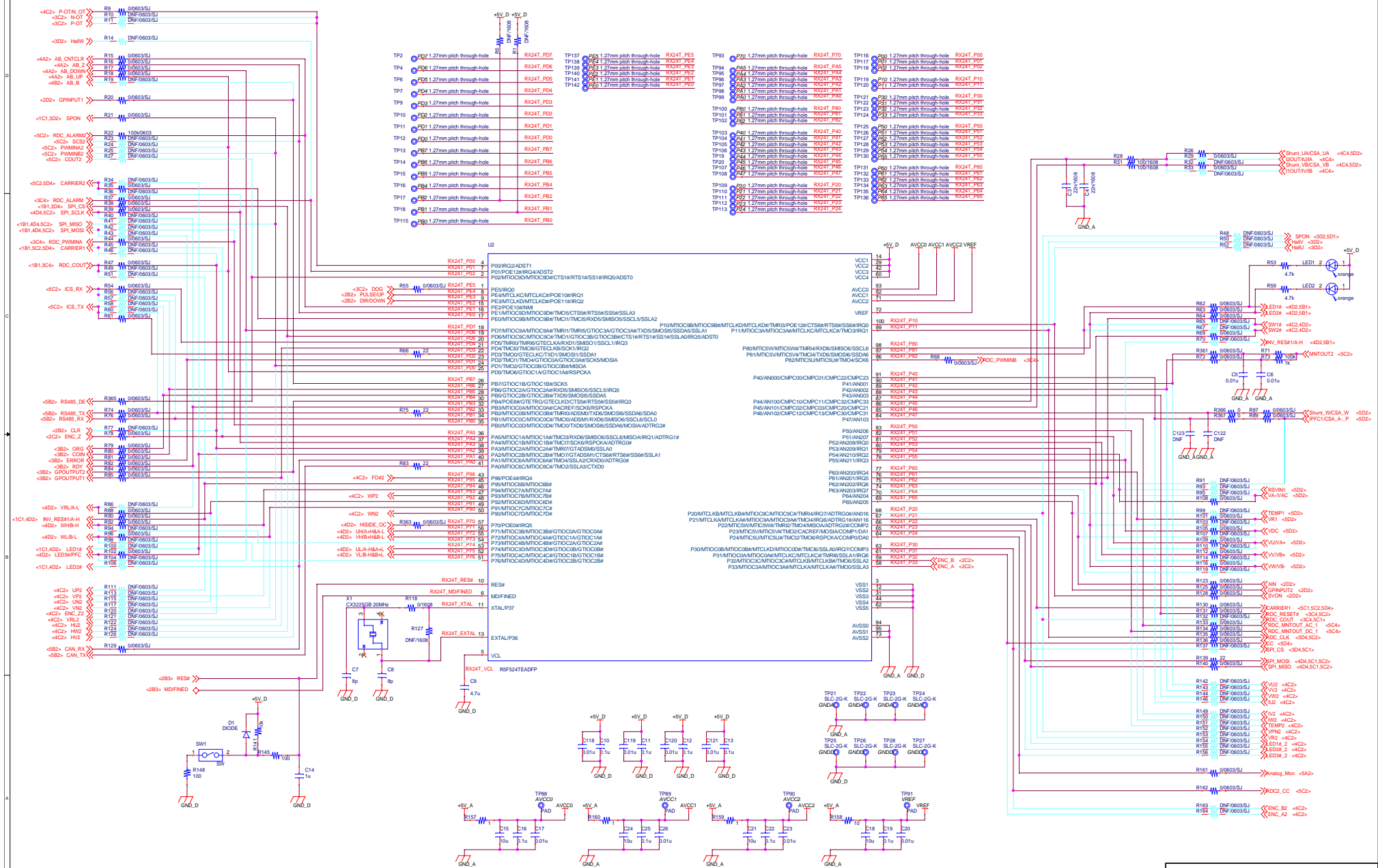
Ex.

< 4 C 3 >



Title		
RTK0EMX270C02000BJ		
Size	Document Number	Rev
A3	R12TU0082EJ0110	1.10
Date:	Monday, August 31, 2020	Sheet 1 of 5

RX24T



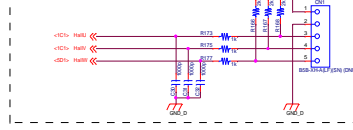
Rev	RTW06M270C0008UJ	
Doc	Document Number	Rev
AC	R12TU062E.0110	1.10
Date	Monday, August 31, 2020	Sheet 2 of 5

Connector

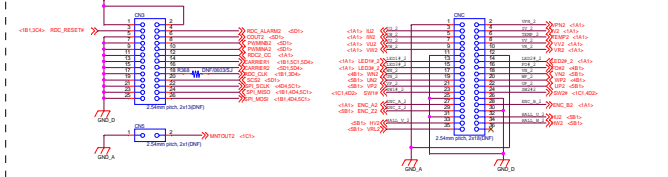
Inverter board connector



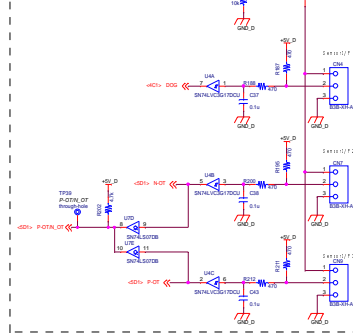
Hall IC connector



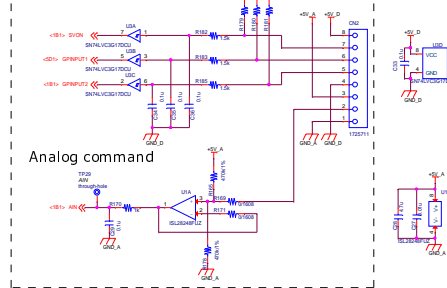
Empty terminal



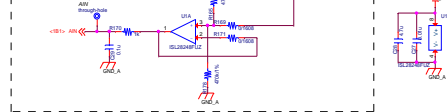
Sensor I/F



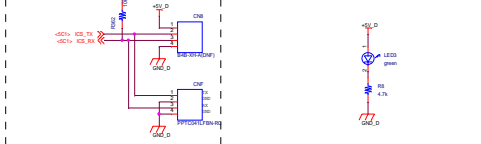
Sequence input



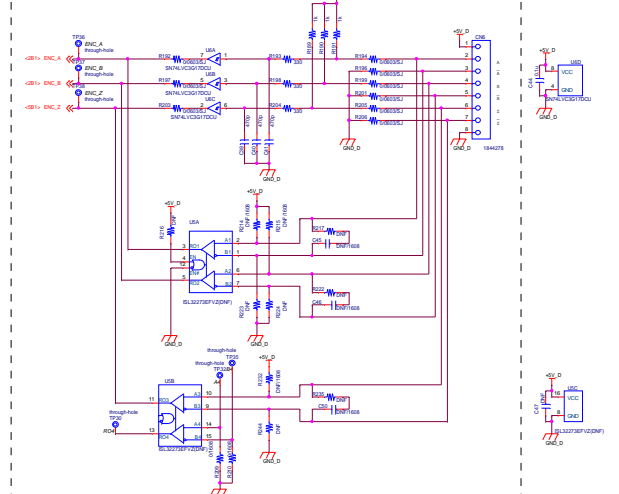
Analog command



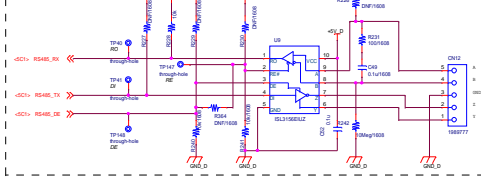
RMW communication connector



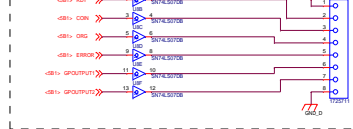
Encoder



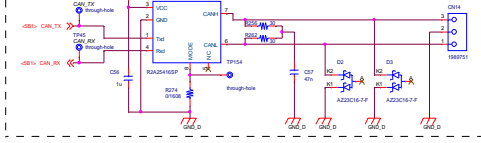
RS485 Driver



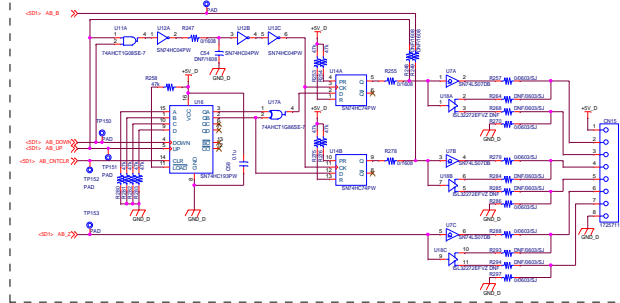
Sequence output



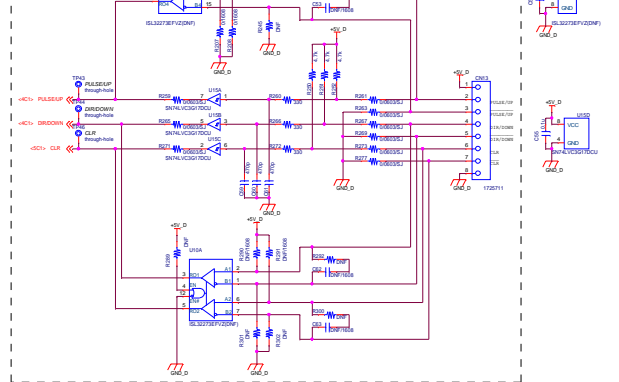
CAN Driver



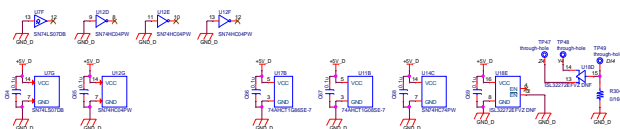
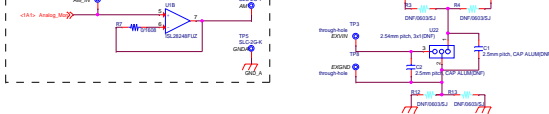
AB phase conversion+Buffer circuit



Pulse train command



Analog monitor



History

Rev.	Date	Page	Summary
1.00	2020/1/17	—	First edition
1.10	2020/8/31	4	Change connection of R332 (for S/N:20EN*** or later)

Title		
RTK0EMX270C02000BJ		
Size	Document Number	Rev
A3	R12TU0082EJ0110	1.10
Date:	Monday, August 31, 2020	Sheet 5 of 5