

RX65N Group

Cloud Kit for RX65N Microcontroller Group
CK-RX65N v2
User's Manual

Renesas RX Family
RX600 Series

All information contained in these materials, including products and product specifications, represents information on the product at the time of publication and is subject to change by Renesas Electronics Corp. without notice. Please review the latest information published by Renesas Electronics Corp. through various means, including the Renesas Electronics Corp. website (<http://www.renesas.com>).

Notice

1. Descriptions of circuits, software and other related information in this document are provided only to illustrate the operation of semiconductor products and application examples. You are fully responsible for the incorporation or any other use of the circuits, software, and information in the design of your product or system. Renesas Electronics disclaims any and all liability for any losses and damages incurred by you or third parties arising from the use of these circuits, software, or information.
2. Renesas Electronics hereby expressly disclaims any warranties against and liability for infringement or any other claims involving patents, copyrights, or other intellectual property rights of third parties, by or arising from the use of Renesas Electronics products or technical information described in this document, including but not limited to, the product data, drawings, charts, programs, algorithms, and application examples.
3. No license, express, implied or otherwise, is granted hereby under any patents, copyrights or other intellectual property rights of Renesas Electronics or others.
4. You shall be responsible for determining what licenses are required from any third parties, and obtaining such licenses for the lawful import, export, manufacture, sales, utilization, distribution or other disposal of any products incorporating Renesas Electronics products, if required.
5. You shall not alter, modify, copy, or reverse engineer any Renesas Electronics product, whether in whole or in part. Renesas Electronics disclaims any and all liability for any losses or damages incurred by you or third parties arising from such alteration, modification, copying or reverse engineering.
6. Renesas Electronics products are classified according to the following two quality grades: "Standard" and "High Quality". The intended applications for each Renesas Electronics product depends on the product's quality grade, as indicated below.

"Standard": Computers; office equipment; communications equipment; test and measurement equipment; audio and visual equipment; home electronic appliances; machine tools; personal electronic equipment; industrial robots; etc.

"High Quality": Transportation equipment (automobiles, trains, ships, etc.); traffic control (traffic lights); large-scale communication equipment; key financial terminal systems; safety control equipment; etc.

Unless expressly designated as a high reliability product or a product for harsh environments in a Renesas Electronics data sheet or other Renesas Electronics document, Renesas Electronics products are not intended or authorized for use in products or systems that may pose a direct threat to human life or bodily injury (artificial life support devices or systems; surgical implantations; etc.), or may cause serious property damage (space system; undersea repeaters; nuclear power control systems; aircraft control systems; key plant systems; military equipment; etc.). Renesas Electronics disclaims any and all liability for any damages or losses incurred by you or any third parties arising from the use of any Renesas Electronics product that is inconsistent with any Renesas Electronics data sheet, user's manual or other Renesas Electronics document.
7. No semiconductor product is absolutely secure. Notwithstanding any security measures or features that may be implemented in Renesas Electronics hardware or software products, Renesas Electronics shall have absolutely no liability arising out of any vulnerability or security breach, including but not limited to any unauthorized access to or use of a Renesas Electronics product or a system that uses a Renesas Electronics product. RENESAS ELECTRONICS DOES NOT WARRANT OR GUARANTEE THAT RENESAS ELECTRONICS PRODUCTS, OR ANY SYSTEMS CREATED USING RENESAS ELECTRONICS PRODUCTS WILL BE INVULNERABLE OR FREE FROM CORRUPTION, ATTACK, VIRUSES, INTERFERENCE, HACKING, DATA LOSS OR THEFT, OR OTHER SECURITY INTRUSION ("Vulnerability Issues"). RENESAS ELECTRONICS DISCLAIMS ANY AND ALL RESPONSIBILITY OR LIABILITY ARISING FROM OR RELATED TO ANY VULNERABILITY ISSUES. FURTHERMORE, TO THE EXTENT PERMITTED BY APPLICABLE LAW, RENESAS ELECTRONICS DISCLAIMS ANY AND ALL WARRANTIES, EXPRESS OR IMPLIED, WITH RESPECT TO THIS DOCUMENT AND ANY RELATED OR ACCOMPANYING SOFTWARE OR HARDWARE, INCLUDING BUT NOT LIMITED TO THE IMPLIED WARRANTIES OF MERCHANTABILITY, OR FITNESS FOR A PARTICULAR PURPOSE.
8. When using Renesas Electronics products, refer to the latest product information (data sheets, user's manuals, application notes, "General Notes for Handling and Using Semiconductor Devices" in the reliability handbook, etc.), and ensure that usage conditions are within the ranges specified by Renesas Electronics with respect to maximum ratings, operating power supply voltage range, heat dissipation characteristics, installation, etc. Renesas Electronics disclaims any and all liability for any malfunctions, failure or accident arising out of the use of Renesas Electronics products outside of such specified ranges.
9. Although Renesas Electronics endeavors to improve the quality and reliability of Renesas Electronics products, semiconductor products have specific characteristics, such as the occurrence of failure at a certain rate and malfunctions under certain use conditions. Unless designated as a high reliability product or a product for harsh environments in a Renesas Electronics data sheet or other Renesas Electronics document, Renesas Electronics products are not subject to radiation resistance design. You are responsible for implementing safety measures to guard against the possibility of bodily injury, injury or damage caused by fire, and/or danger to the public in the event of a failure or malfunction of Renesas Electronics products, such as safety design for hardware and software, including but not limited to redundancy, fire control and malfunction prevention, appropriate treatment for aging degradation or any other appropriate measures. Because the evaluation of microcomputer software alone is very difficult and impractical, you are responsible for evaluating the safety of the final products or systems manufactured by you.
10. Please contact a Renesas Electronics sales office for details as to environmental matters such as the environmental compatibility of each Renesas Electronics product. You are responsible for carefully and sufficiently investigating applicable laws and regulations that regulate the inclusion or use of controlled substances, including without limitation, the EU RoHS Directive, and using Renesas Electronics products in compliance with all these applicable laws and regulations. Renesas Electronics disclaims any and all liability for damages or losses occurring as a result of your noncompliance with applicable laws and regulations.
11. Renesas Electronics products and technologies shall not be used for or incorporated into any products or systems whose manufacture, use, or sale is prohibited under any applicable domestic or foreign laws or regulations. You shall comply with any applicable export control laws and regulations promulgated and administered by the governments of any countries asserting jurisdiction over the parties or transactions.
12. It is the responsibility of the buyer or distributor of Renesas Electronics products, or any other party who distributes, disposes of, or otherwise sells or transfers the product to a third party, to notify such third party in advance of the contents and conditions set forth in this document.
13. This document shall not be reprinted, reproduced or duplicated in any form, in whole or in part, without prior written consent of Renesas Electronics.
14. Please contact a Renesas Electronics sales office if you have any questions regarding the information contained in this document or Renesas Electronics products.

(Note1) "Renesas Electronics" as used in this document means Renesas Electronics Corporation and also includes its directly or indirectly controlled subsidiaries.

(Note2) "Renesas Electronics product(s)" means any product developed or manufactured by or for Renesas Electronics.

(Rev.5.0-1 October 2020)

Corporate Headquarters

TOYOSU FORESIA, 3-2-24 Toyosu,
Koto-ku, Tokyo 135-0061, Japan

www.renesas.com

Trademarks

Renesas and the Renesas logo are trademarks of Renesas Electronics Corporation. All trademarks and registered trademarks are the property of their respective owners.

Contact information

For further information on a product, technology, the most up-to-date version of a document, or your nearest sales office, please visit:

www.renesas.com/contact/.

General Precautions in the Handling of Microprocessing Unit and Microcontroller Unit Products

The following usage notes are applicable to all Microprocessing unit and Microcontroller unit products from Renesas. For detailed usage notes on the products covered by this document, refer to the relevant sections of the document as well as any technical updates that have been issued for the products.

1. Precaution against Electrostatic Discharge (ESD)

A strong electrical field, when exposed to a CMOS device, can cause destruction of the gate oxide and ultimately degrade the device operation. Steps must be taken to stop the generation of static electricity as much as possible, and quickly dissipate it when it occurs. Environmental control must be adequate. When it is dry, a humidifier should be used. This is recommended to avoid using insulators that can easily build up static electricity. Semiconductor devices must be stored and transported in an anti-static container, static shielding bag or conductive material. All test and measurement tools including work benches and floors must be grounded. The operator must also be grounded using a wrist strap. Semiconductor devices must not be touched with bare hands. Similar precautions must be taken for printed circuit boards with mounted semiconductor devices.

2. Processing at power-on

The state of the product is undefined at the time when power is supplied. The states of internal circuits in the LSI are indeterminate and the states of register settings and pins are undefined at the time when power is supplied. In a finished product where the reset signal is applied to the external reset pin, the states of pins are not guaranteed from the time when power is supplied until the reset process is completed. In a similar way, the states of pins in a product that is reset by an on-chip power-on reset function are not guaranteed from the time when power is supplied until the power reaches the level at which resetting is specified.

3. Input of signal during power-off state

Do not input signals or an I/O pull-up power supply while the device is powered off. The current injection that results from input of such a signal or I/O pull-up power supply may cause malfunction and the abnormal current that passes in the device at this time may cause degradation of internal elements. Follow the guideline for input signal during power-off state as described in your product documentation.

4. Handling of unused pins

Handle unused pins in accordance with the directions given under handling of unused pins in the manual. The input pins of CMOS products are generally in the high-impedance state. In operation with an unused pin in the open-circuit state, extra electromagnetic noise is induced in the vicinity of the LSI, an associated shoot-through current flows internally, and malfunctions occur due to the false recognition of the pin state as an input signal become possible.

5. Clock signals

After applying a reset, only release the reset line after the operating clock signal becomes stable. When switching the clock signal during program execution, wait until the target clock signal is stabilized. When the clock signal is generated with an external resonator or from an external oscillator during a reset, ensure that the reset line is only released after full stabilization of the clock signal. Additionally, when switching to a clock signal produced with an external resonator or by an external oscillator while program execution is in progress, wait until the target clock signal is stable.

6. Voltage application waveform at input pin

Waveform distortion due to input noise or a reflected wave may cause malfunction. If the input of the CMOS device stays in the area between V_{IL} (Max.) and V_{IH} (Min.) due to noise, for example, the device may malfunction. Take care to prevent chattering noise from entering the device when the input level is fixed, and also in the transition period when the input level passes through the area between V_{IL} (Max.) and V_{IH} (Min.).

7. Prohibition of access to reserved addresses

Access to reserved addresses is prohibited. The reserved addresses are provided for possible future expansion of functions. Do not access these addresses as the correct operation of the LSI is not guaranteed.

8. Differences between products

Before changing from one product to another, for example to a product with a different part number, confirm that the change will not lead to problems. The characteristics of a microprocessing unit or microcontroller unit products in the same group but having a different part number might differ in terms of internal memory capacity, layout pattern, and other factors, which can affect the ranges of electrical characteristics, such as characteristic values, operating margins, immunity to noise, and amount of radiated noise. When changing to a product with a different part number, implement a system-evaluation test for the given product.

Renesas CK-RX65N v2 Disclaimer

By using this CK-RX65N v2, the User accepts the following terms, which are in addition to, and control in the event of disagreement, with Renesas' General Terms and Conditions available at [renesas.com/legal-notices](https://www.renesas.com/legal-notices).

The CK-RX65N v2 is not guaranteed to be error free, and the entire risk as to the results and performance of the CK-RX65N v2 is assumed by the User. The CK-RX65N v2 is provided by Renesas on an "as is" basis without warranty of any kind whether express or implied, including but not limited to the implied warranties of good workmanship, fitness for a particular purpose, title, merchantability, and non-infringement of intellectual property rights. Renesas expressly disclaims any implied warranty.

Renesas does not consider the CK-RX65N v2 to be a finished product and therefore the CK-RX65N v2 may not comply with some requirements applicable to finished products, including, but not limited to recycling, restricted substances and electromagnetic compatibility regulations. Refer to Certifications section, for information about certifications and compliance information for the CK-RX65N v2. It is the kit User's responsibility to make sure the kit meets any local requirements applicable to their region.

Renesas or its affiliates shall in no event be liable for any loss of profit, loss of data, loss of contract, loss of business, damage to reputation or goodwill, any economic loss, any reprogramming or recall costs (whether the foregoing losses are direct or indirect) nor shall Renesas or its affiliates be liable for any other direct or indirect special, incidental or consequential damages arising out of or in relation to the use of this CK-RX65N v2, even if Renesas or its affiliates have been advised of the possibility of such damages.

Renesas has used reasonable care in preparing the information included in this document, but Renesas does not warrant that such information is error free nor does Renesas guarantee an exact match for every application or parameter to part numbers designated by other vendors listed herein. The information provided in this document is intended solely to enable the use of Renesas products. No express or implied license to any intellectual property right is granted by this document or in connection with the sale of Renesas products. Renesas reserves the right to make changes to specifications and product descriptions at any time without notice. Renesas assumes no liability for any damages incurred by you resulting from errors in or omissions from the information included herein. Renesas cannot verify, and assumes no liability for, the accuracy of information available on another company's website.

Precautions

This Cloud Kit is only intended for use in a laboratory environment under ambient temperature and humidity conditions. A safe separation distance should be used between this and any sensitive equipment. Its use outside the laboratory, classroom, study area, or similar such area invalidates conformity with the protection requirements of the Electromagnetic Compatibility Directive and could lead to prosecution.

The product generates, uses, and can radiate radio frequency energy and may cause harmful interference to radio communications. There is no guarantee that interference will not occur in a particular installation. If this equipment causes harmful interference to radio or television reception, which can be determined by turning the equipment off or on, you are encouraged to try to correct the interference by one or more of the following measures:

- Ensure attached cables do not lie across the equipment.
- Reorient the receiving antenna.
- Increase the distance between the equipment and the receiver.
- Connect the equipment into an outlet on a circuit different from that which the receiver is connected.
- Power down the equipment when not in use.
- Consult the dealer or an experienced radio/TV technician for help.

Note: It is recommended that wherever possible shielded interface cables are used.

The product is potentially susceptible to certain EMC phenomena. To mitigate against them it is recommended that the following measures be undertaken:

- The user is advised that mobile phones should not be used within 10 m of the product when in use.
- The user is advised to take ESD precautions when handling the equipment.

The Cloud Kit does not represent an ideal reference design for an end product and does not fulfill the regulatory standards for an end product.

Renesas RX Family

CK-RX65N v2
Contents

1. Kit Overview	5
1.1 Assumptions and Advisory Notes.....	7
2. Ordering Information.....	7
3. Hardware Architecture and Default Configuration	7
3.1 Kit Architecture	7
3.2 System Block Diagram	8
3.3 Jumper Settings.....	8
3.3.1 Copper Jumpers	8
3.3.2 Traditional Pin Header Jumpers.....	9
3.3.3 Default Jumper Configuration.....	9
4. System Control and Ecosystem Access.....	9
4.1 Power	9
4.1.1 Power Supply Options	10
4.1.2 Power Supply Considerations	10
4.1.3 Power-up Behavior	10
4.2 Debug and Trace.....	11
4.2.1 Debug On-Board	11
4.3 Ecosystem	12
4.3.1 Diligent Pmod™ Connectors	12
4.3.2 Arduino™ Connector	13
4.4 Connectivity	15
4.4.1 USB Full Speed	15
4.5 USB Serial	15
4.6 Miscellaneous.....	16
4.6.1 User and Power LEDs	16
4.6.2 User and Reset Switches	17
4.6.3 MCU Boot Options	17
4.7 Ethernet	18
4.8 Onboard Sensors	19
4.8.1 HS3001 Temperature and Humidity Sensor	19
4.8.2 OB1203 Biometric Sensor	19
4.8.3 ZMOD4510 Outdoor Air Quality Sensor.....	20
4.8.4 ZMOD4410 Indoor Air Quality Sensor	21
4.8.5 ICM-42605 6-Axis MEMS Motion Tracking Sensor.....	21

4.8.6	ICP-20100 Barometric Pressure Sensor	22
4.8.7	SPU0410 MEMS Microphones.....	22
5.	MCU Native Access Area	22
5.1	MCU and Pmod Current Measurement.....	22
6.	Recommended Parts	23
7.	Certifications.....	24
7.1	EMC/EMI Standards.....	24
7.2	Material Selection, Waste, Recycling and Disposal Standards	24
7.3	Safety Standards	24
8.	Design and Manufacturing Information	25
9.	Website and Support	25
	Revision History.....	26

Figures

Figure 1.	CK-RX65N v2 Board Top Side.....	6
Figure 2.	CK-RX65N v2 Board Bottom Side.....	6
Figure 3.	CK-RX65N v2 Board Block Diagram.....	8
Figure 4.	Copper Jumpers.....	9
Figure 5.	Power Supply Options.....	10
Figure 6.	CK-RX65N v2 Debug Interface	11
Figure 7.	Pmod 1 Connector	12
Figure 8.	Pmod 2 Connector	13
Figure 9.	Arduino Uno Connectors	14
Figure 10.	USB Full Speed Connector	15
Figure 11.	USB Serial Connector	16
Figure 12.	User LEDs	16
Figure 13.	Power LED	17
Figure 14.	Reset and User Switches	17
Figure 15.	Boot Mode and USB Bus Mode Selection Jumpers	17
Figure 16.	Ethernet Connector	18
Figure 17.	On Board Sensors.....	19
Figure 18.	RX Pmod Current Measurement Circuit.....	22
Figure 19.	RX +3.3 V Current Measurement Circuit.....	23
Figure 20.	RX MCU Current Measurement	23
Figure 21.	Pmod Current Measurement.....	23

Tables

Table 1.	List of Abbreviations and Acronyms	4
Table 2.	Kit Architecture	7
Table 3.	Default Jumper Settings	9
Table 4.	Debug Modes	11
Table 5.	Debug USB Connector	11
Table 6.	COMM MODE Jumper J29.....	11
Table 7.	Debug Jumper J16	11
Table 8.	Pmod 1 Connector.....	12
Table 9.	Pmod 2 Connector.....	13
Table 10.	Arduino Uno Assignments	13
Table 11.	USB Full Speed Connector.....	15
Table 12.	USB Function / Host Jumper J12	15
Table 13.	USB Power Jumper J15.....	15
Table 14.	USB Serial Connector.....	15
Table 15.	CK-RX65N v2 Board LED Functions	16
Table 16.	CK-RX65N v2 Board Switches	17
Table 17.	Boot Mode Selection	17
Table 18.	USB Bus Mode Selection.....	17
Table 19.	Ethernet Port Assignments	18
Table 20.	Ethernet Components	18
Table 21.	HS3001 Port Assignments.....	19
Table 22.	OB1203 Port Assignments.....	20
Table 23.	ZMOD4510 Port Assignments	20
Table 24.	ZMOD4410 Port Assignments	21
Table 25.	ICM-42605 Port Assignments	21
Table 26.	ICP-20100 Port Assignments.....	22
Table 27.	SPU0410 Port Assignments	22
Table 28.	Part Numbers	23
Table 29.	CK-RX65N v2 Board Design Package Contents	25

Glossary**Table 1. List of Abbreviations and Acronyms**

BoM	Bill of Materials
CK	Cloud Kit
E2OB	E2 On Board
FINE	Debugging Interface
FS	Full Speed
GPIO	General Purpose Input Output
I ² C (or IIC)	Inter-Integrated Circuit
IDE	Integrated Development Environment
IMU	Inertial Measurement Unit
I/O	Input/Output
IRQ	Interrupt Request
LDO	Low Dropout
LED	Light Emitting Diode
LQFP	Low-profile Quad Flat Pack
MCU	Micro Controller Unit
MEMS	Micro-Electromechanical Systems
MISO	Master In Slave Out
MOSI	Master Out Slave In
NC	Not Connected
PHY	Physical Layer Transceiver
Pmod™	Peripheral Module
PWM	Pulse Width Modulation
RDP	RX Driver Package
RGB	Red Green Blue
RMII	Reduced Media-Independent Interface
RXD	Receive Data
SCI	Serial Communications Interface
SCL	Serial Clock Line
SDA	Serial Data Line
SMD	Surface Mount Device
SMT	Surface Mount Technology
SPI	Serial Peripheral Interface
SRAM	Static Random Access Memory
TXD	Transmit Data
UART	Universal Asynchronous Receiver-Transmitter
USB	Universal Serial Bus

1. Kit Overview

The CK-RX65N v2, Cloud Kit for RX65N MCU Group, enables users to experience the cloud connectivity options available from Renesas and Renesas Partners. A broad array of sensors on the CK-RX65N v2 provide multiple options for observing user interaction with the Cloud Kit. By selecting from a choice of add-on devices, multiple cloud connectivity options are available.

MCU Features

- R5F565NEHDFB MCU (referred to as RX MCU)
- 120 MHz, RX CPU (RXv2)
- 2 MB Code Flash, 32 kB Data Flash, 640 kB SRAM
- 144 pins, LQFP package
- MCU and Pmod current measurement points for precision current consumption measurement
- Multiple clock sources - RX MCU oscillator and sub-clock oscillator crystals, providing precision 24.000 MHz and 32,768 Hz reference clock. Additional low-precision clocks are available internal to the RX MCU

Ecosystem Access and Connectivity

- USB Full Speed Host and Device (micro AB connector)
- Four 5 V input sources
 - USB (Debug, Full Speed, Serial)
 - External power supply (using traditional pin header)
- Debug modes
 - Debug on-board (FINE)
- User LEDs and buttons
 - Four User LEDs (red, blue, green, RGB)
 - Power LED (white) indicating availability of regulated power
 - Debug LED (green) indicating the debug connection
 - One User button
 - One Reset button
- Two of the most popular ecosystems expansions
 - Two Digilent Pmod™ (SPI, UART and I²C) connectors
 - Arduino™ (Uno R3) connector
- MCU boot configuration jumpers
- Ethernet (RJ45 RMII interface)

Sensors

- Renesas HS3001 Humidity and Temperature sensor
- Renesas ZMOD4410 Indoor Air Quality Index sensor
- Renesas ZMOD4510 Outdoor Air Quality Index sensor
- Renesas OB1203 Biometric sensor
- TDK ICP-20100 Barometric Pressure sensor
- TDK ICM-42605 IMU (Gyroscope, Accelerometer)
- Knowles SPU0410LR5H-QB MEMS Microphones in stereo configuration

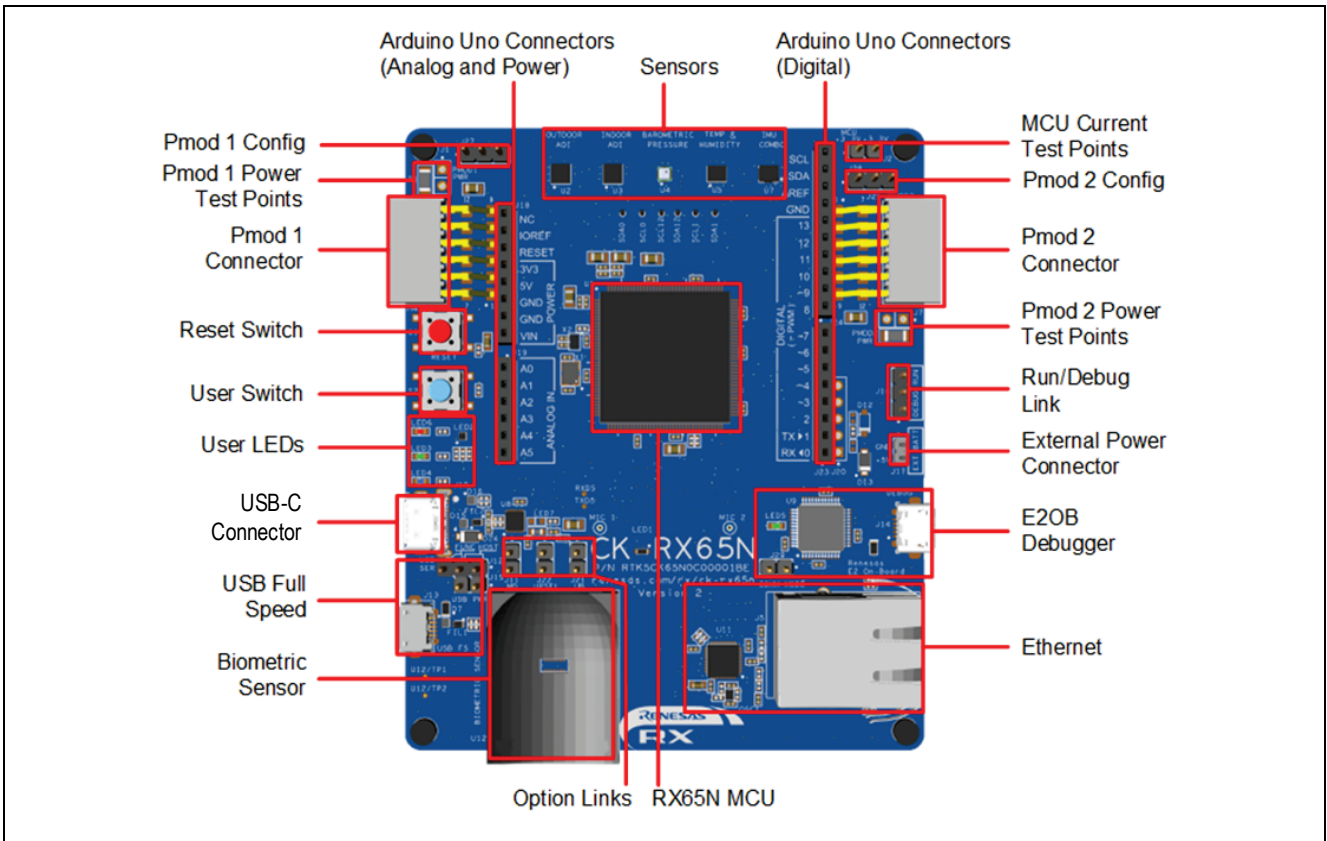


Figure 1. CK-RX65N v2 Board Top Side

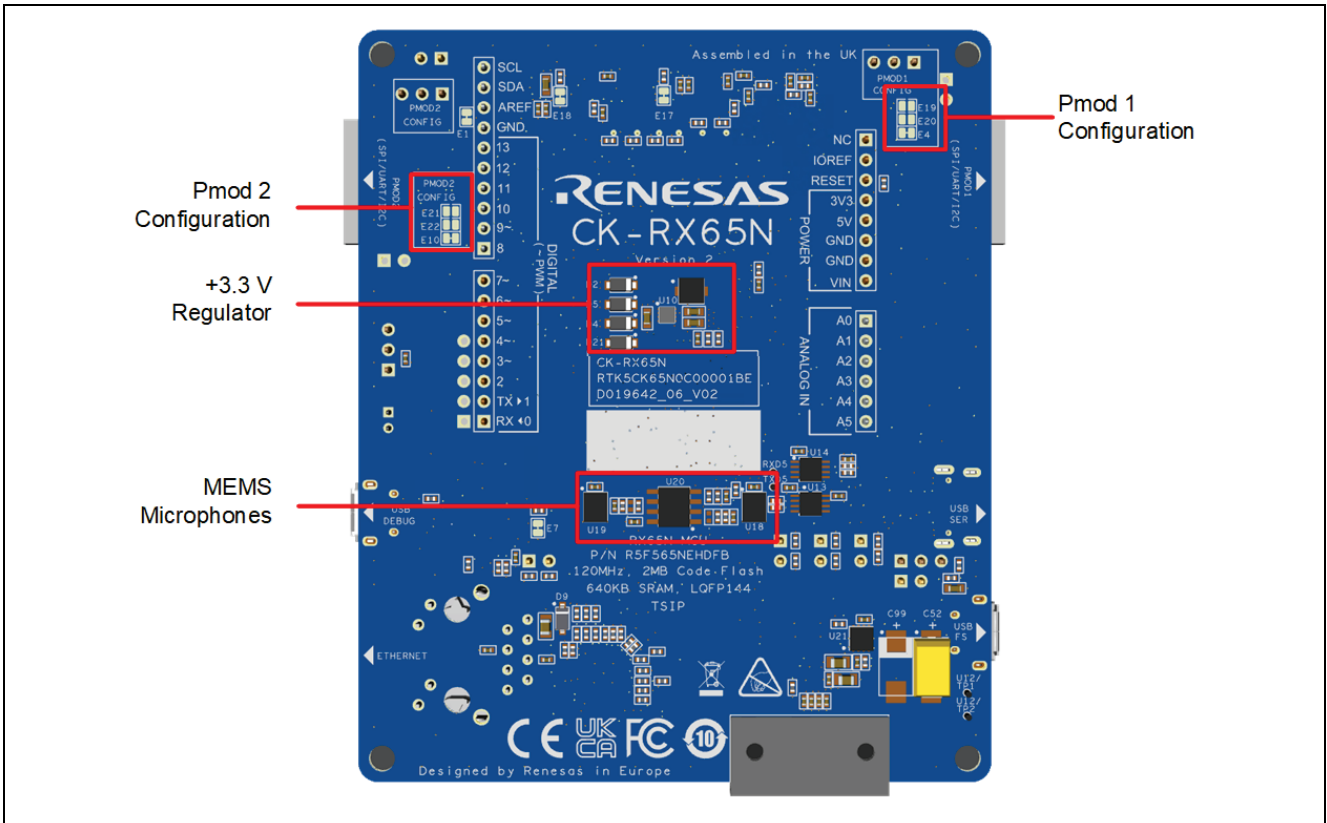


Figure 2. CK-RX65N v2 Board Bottom Side

1.1 Assumptions and Advisory Notes

1. It is assumed that the user has a basic understanding of microcontrollers and embedded systems hardware.
2. It is recommended that the user refers to the *CK-RX65N v2 Quick Start Guide* to get acquainted with the kit and the Quick Start example project that the CK-RX65N v2 board comes pre-programmed with.
3. The RX Driver Package (RDP) and an Integrated Development Environment (IDE) such as e² studio are required to develop embedded applications on the CK-RX65N v2 kit.
4. Instructions to download and install software, import example projects, build them and program the CK-RX65N v2 board are provided in the quick start guide.

2. Ordering Information

For details of the ordering codes, additional kit contents and connectivity please see the Manual related to the specific kit.

3. Hardware Architecture and Default Configuration

3.1 Kit Architecture

The CK-RX65N v2 board is designed to demonstrate many options available to connect the RX65N MCU to various cloud services. The board includes the RX65N MCU, multiple environmental sensors and connectivity options such as USB, Ethernet, and Pmod connections for use with add-on wireless connectivity devices, as well as support for Arduino Uno R3 shields. The board also includes an on-board debugger and all required hardware needed to power, program, and debug software running on the MCU. The board also has LED indicators and a push-button available for user interaction with the board.

Most of the on-board sensors are connected to the MCU using I²C. The on-board microphones use the Analog to Digital Converter (ADC) peripheral within the MCU.

Table 2. Kit Architecture

Board Functionality	Area Features	Function present on all similar kits	Functionality is:
MCU Native Access	RX MCU, power / current measurement	Yes	MCU dependent
System Control and Ecosystem Access	Power, Debug MCU, User LED and buttons, reset, ecosystem connectors, USB Full Speed, Boot configuration, Ethernet	Yes	Same or similar across similar kits

3.2 System Block Diagram

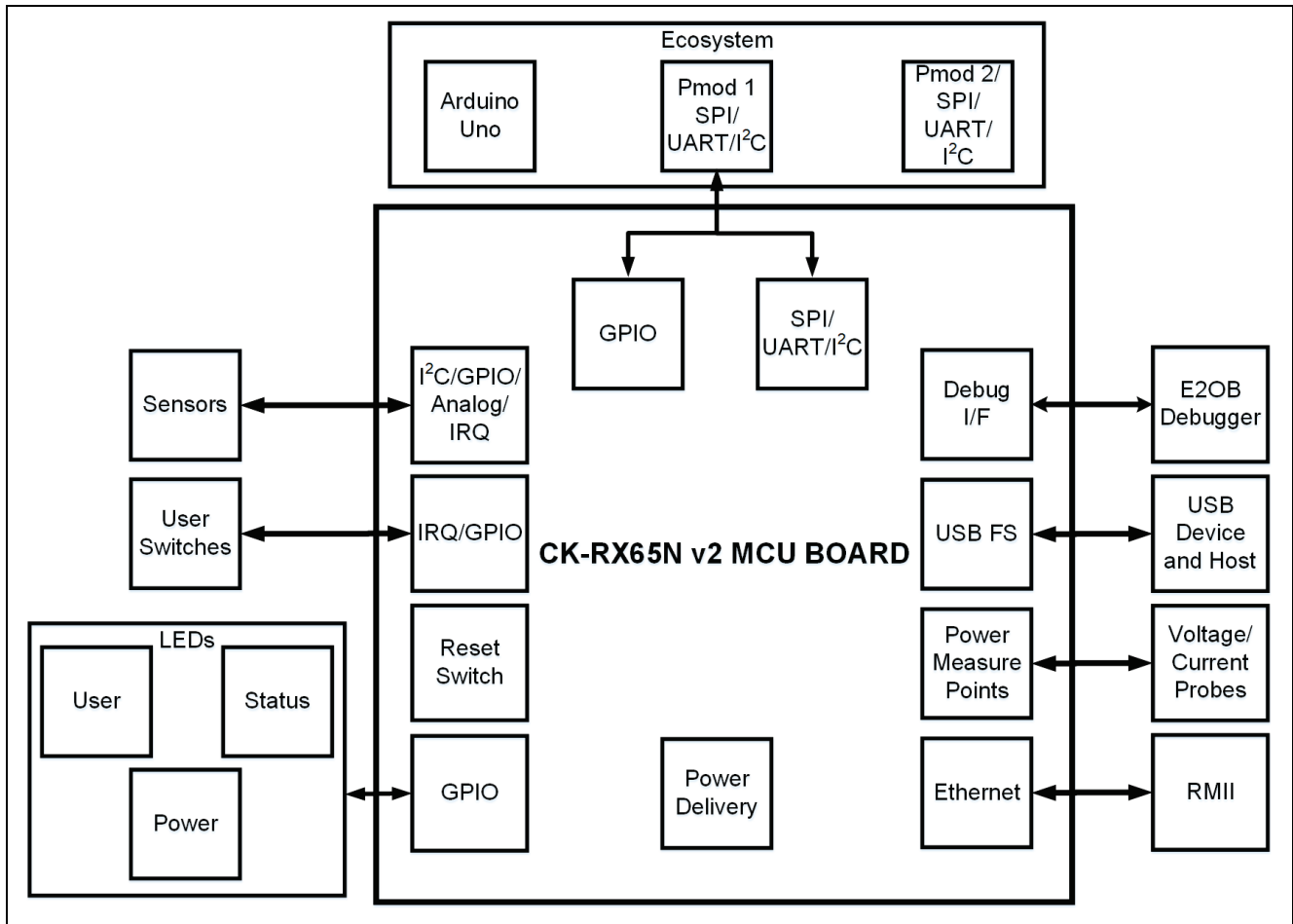


Figure 3. CK-RX65N v2 Board Block Diagram

3.3 Jumper Settings

Two types of jumpers are provided on the CK-RX65N v2 board.

1. Copper jumpers (trace-cut type and solder bridge type)
2. Traditional pin header jumpers

The following sections describe each type and their default configuration.

3.3.1 Copper Jumpers

Copper jumpers are of two types, designated **trace-cut** and **solder-bridge**.

A **trace-cut jumper** is provided with a narrow copper trace connecting its pads. The silk screen overlay printing around a trace-cut jumper is a solid box. To isolate the pads, cut the trace between pads adjacent to each pad, then remove the connecting copper foil either mechanically or with the assistance of heat. Once the etched copper trace is removed, the trace-cut jumper is turned into a solder-bridge jumper for any later changes.

A **solder-bridge** jumper is provided with two isolated pads that may be joined together. The silkscreen overlay printed around a solder-bridge jumper has gaps in the surround. Three methods can be used for joining:

- Solder may be applied to both pads to develop a bulge on each and the bulges joined by touching a soldering iron across the two pads.
- A small wire may be placed across the two pads and soldered in place.
- A SMT resistor, size 0805, 0603, or 0402, may be placed across the two pads and soldered in place. A zero-ohm resistor shorts the pads together.

For any copper jumper, the connection is considered **closed** if there is an electrical connection between the pads (default for trace-cut jumpers.) The connection is considered **open** if there is no electrical connection between the pads (default for the solder-bridge jumpers.)

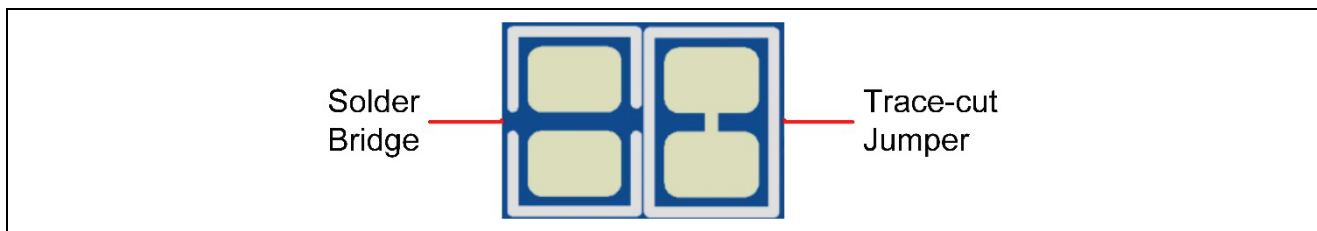


Figure 4. Copper Jumpers

3.3.2 Traditional Pin Header Jumpers

These jumpers are traditional small pitch jumpers that require an external shunt to open/close them. The traditional pin jumpers on the CK-RX65N v2 board are 2.54 mm (0.1") pitch headers and require compatible 2.54 mm shunt jumpers.

3.3.3 Default Jumper Configuration

The following table describes the default settings for each jumper on the CK-RX65N v2 board. This includes copper jumpers (Ex designation) and traditional pin jumpers (Jx designation).

The circuit group for each jumper is the designation found in the board schematic (available in the design package). Functional details for many of the listed jumpers may be found in sections associated with each functional area of the kit.

Table 3. Default Jumper Settings

Location	Circuit Group	Default Open/Closed	Function
J2	Power	Closed	Connects MCU to +3.3 V
J11	MCU Boot Mode	Open	Configures the MCU for normal boot mode
J21	MCU Boot Mode	Closed	Enable USB boot mode
J22	MCU Boot Mode	Open	Select USB boot mode power supply method
J12	USB Full Speed	Jumper on pins 2-3	Configures USB for device mode
J15	USB Full Speed	Closed	USB bus-powered operation
J27	Pmod 1	Jumper on pins 1-2	Links PB2 (RTS6) to Pmod 1 pin 4
J28	Pmod 2	Jumper on pins 1-2	Links P54 (RTS2) to Pmod 2 pin 4
J16	E2OB Debugger	Jumper on pins 2-3	Select debug or free run
J29	E2OB Debugger	Open	Select debugger comms mode
E1	AREF	Closed	Links AREF to +3.3 V
E7	Power	Closed	Connects E2OB to +3.3 V
E17	U4 (ICP-20100)	Closed	Connects U4 pin 6 (AD0) to GND
E18	U7 (ICM-42605)	Closed	Connects U7 pin 1 (AP_AD0) to GND
E4	Pmod 1	Closed	Connects P01 (MISO6/RXD6) to Pmod 1 pin 3
E19	Pmod 1	Open	Connects P21 (SCL1) to Pmod 1 pin 3
E20	Pmod 1	Open	Connects P20 (SDA1) to Pmod 1 pin 4
E10	Pmod 2	Closed	Connects P52 (SMISO2/RXD2) to Pmod 2 pin 3
E21	Pmod 2	Open	Connects PE2 (SCL12) to Pmod 2 pin 3
E22	Pmod 2	Open	Connects PE1 (SDA12) to Pmod 2 pin 4

4. System Control and Ecosystem Access

The CK-RX65N v2 provides a power supply regulator, an on-board debugger, simple I/O (switches and LEDs), and popular I/O ecosystem connectors. These are all described in detail below.

4.1 Power

The CK-RX65N v2 kit is designed for +5 V operation. An on-board switching voltage regulator (ISL8002IRZ) is used to convert the 5 V supply to a 3.3 V supply.

4.1.1 Power Supply Options

This section describes the different ways in which CK-RX65N v2 kit can be powered.

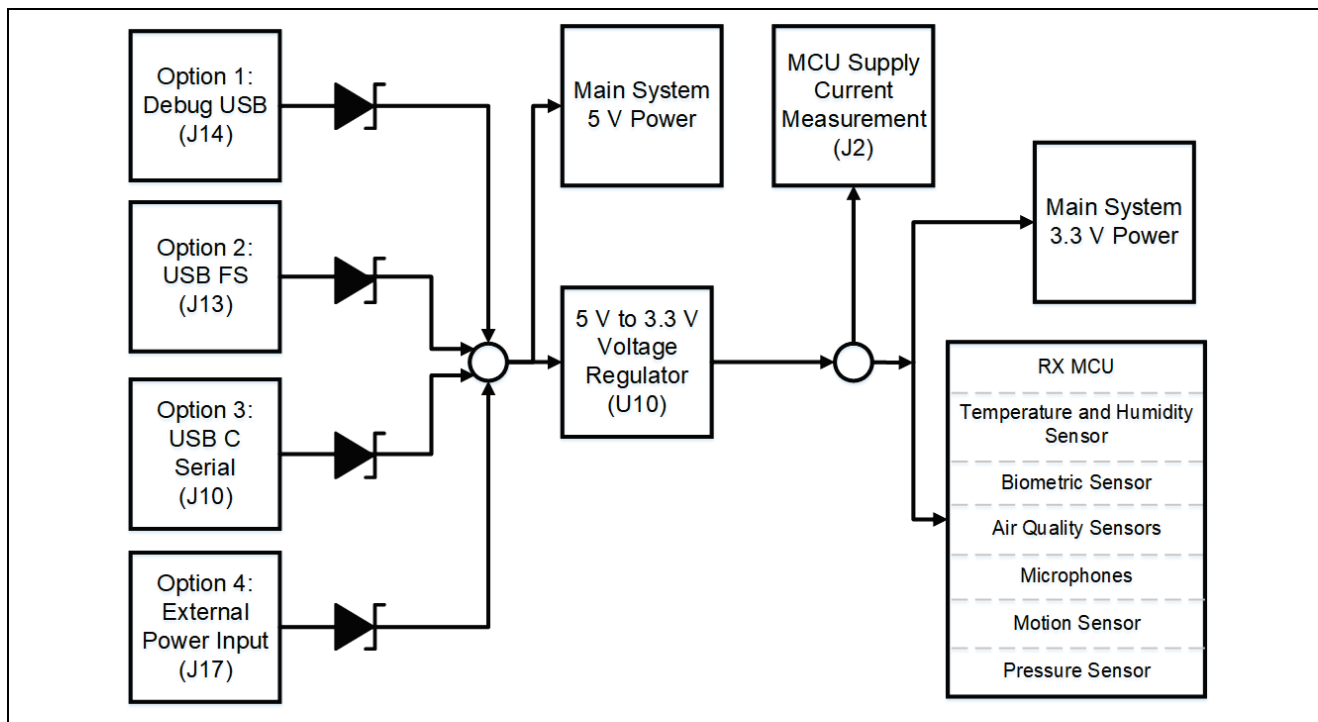


Figure 5. Power Supply Options

4.1.1.1 Option 1: Debug USB

5 V may be supplied from an external USB host to the USB Debug connector (J14) labelled USB DEBUG on the board. Power from this source is connected to the main system 5 V power. Reverse current protection is provided between this connector and the main system 5 V power.

4.1.1.2 Option 2: USB Full Speed

5 V may be supplied from an external USB host to the USB Full Speed connector (J13) labelled USB FS on the board. Power from this source is connected to the main system 5 V power. Reverse current protection is provided between this connector and the main system 5 V power.

4.1.1.3 Option 3: USB Serial

5 V may be supplied from an external USB host to the USB C Serial connector (J10) labelled USB SER on the board. Power from this source is connected to the main system 5 V power. Reverse current protection is provided between this connector and the main system 5 V power.

4.1.1.4 Option 4: External Power Input

5 V may be supplied from an external power supply or battery to 2-pin header J17 labelled EXT BATT on the board. Polarity is J17-2 (+5 V) and J17-1 (GND). Power from this source is connected to the main system 5 V power. Reverse current protection is provided between the 5 V test points and the main system 5 V power.

4.1.2 Power Supply Considerations

The on-board regulator which supplies 3.3 V has a built-in current limit of 2.0 A. Make sure that the total current required by the RX MCU, any active on-board features, and any connected peripheral device does not exceed this limit.

Note: The total current available from a typical USB host is 500 mA maximum. Depending on the configuration of the kit, multiple power sources may be required.

4.1.3 Power-up Behavior

When powered, the white LED near the center of the board (the “dash” in the CK-RX65N v2 name) will light up. For more details on initial power up behavior, see the *CK-RX65N v2 Quick Start Guide*.

4.2 Debug and Trace

The CK-RX65N v2 board supports one debug mode.

Table 4. Debug Modes

Debug Mode	Debug MCU (the device that connects to the IDE on your PC)	Target MCU (the device that is being debugged)	Debugging Interface/Protocol	Connector Used
Debug on-board	E2OB (on-board)	RX65N (on-board)	FINE	Micro-USB (J14)

Note: See Table 5 for the Debug USB connector pin definitions.

4.2.1 Debug On-Board

The on-board debug functionality is provided using a Renesas E2 On Board debugger. Debug USB micro-B connector (J14) connects the E2OB debug MCU to an external USB Full Speed host, allowing debugging and re-programming of the target RX MCU firmware. The E2OB debug MCU connects to the target RX MCU using the FINE interface.

Table 5. Debug USB Connector

Debug USB Connector		CK-RX65N v2
Pin	Description	Signal/Bus
J14-1	+5 VDC	+5V_USB_DBG
J14-2	Data-	USBDBG_DM
J14-3	Data+	USBDBG_DP
J14-4	USB ID, jack internal switch, cable inserted	NC
J14-5	Ground	GND

A green indicator, LED5, shows the visual status of the debug interface. When the CK-RX65N v2 board is powered on, and LED5 is blinking, it indicates that the E2 Emulator On-Board debugger is not connected to a programming host. When LED5 is on solid, it indicates that it is connected to a programming interface. When LED5 is flickering, it indicates that data is being transferred between the E2 Emulator On-Board debugger and the programming host.

4.2.1.1 Debugger Jumper Settings

Table 6. COMM MODE Jumper J29

Jumper Position	Function
Closed	E2OB Debugger acts as a serial to USB communications port
Open	E2OB Debugger normal debugging mode

Table 7. Debug Jumper J16

Jumper Position	Function
Pins 1-2	Debugger enabled
Pins 2-3	Debugger held in reset (RX65N MCU free-running operation)

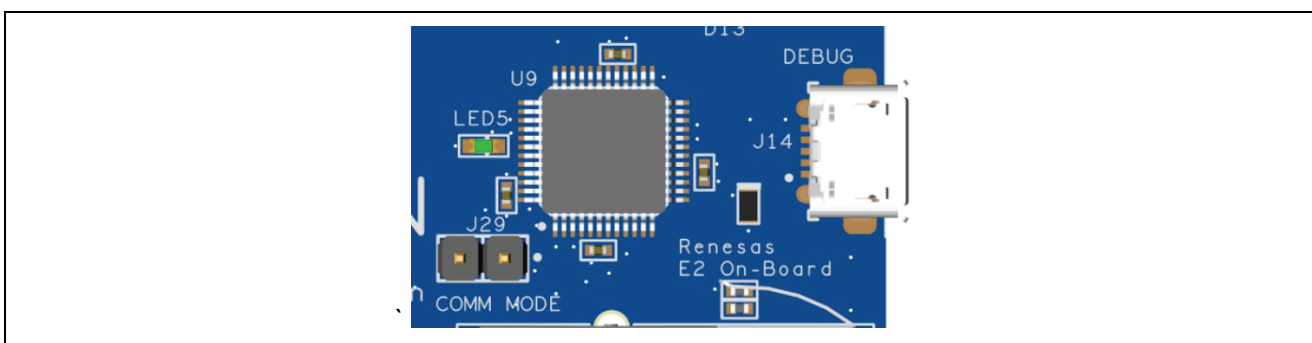


Figure 6. CK-RX65N v2 Debug Interface

4.3 Ecosystem

The Ecosystem connectors provide users the option to simultaneously connect several third-party add-on modules compatible with two popular ecosystems using the following connectors:

1. Two Digilent Pmod™ (SPI , UART and I²C) connectors
2. Arduino™ (Uno R3) connector

4.3.1 Digilent Pmod™ Connectors

Two 12-pin connectors are provided to support Pmod modules where the RX MCU acts as the master, and the connected module acts as a slave device.

These interfaces may be configured in firmware and via jumpers and links to support three Pmod types - Type-2A (expanded SPI), Type-3A (expanded UART) and Type-6A (I²C).

This 12-pin Pmod interface only supports +3.3 V devices. Please ensure that any Pmod device installed is compatible with a +3.3 V supply.

4.3.1.1 Pmod 1 Connector

A 12-pin Pmod connector is provided at J26, Pmod 1.

Table 8. Pmod 1 Connector

Pmod 1 Connector				CK-RX65N v2	Pmod 1 Configuration	
Pin	Option Type-2A (SPI)	Option Type-3A (UART)	Option Type-6A (I ² C)	Signal/Bus	Short	Open
J26-1	SS	CTS		PJ3 (SS6/CTS6)		
J26-2	MOSI	TXD		P00 (MOSI6/TXD6)		
J26-3	MISO	RXD		P01 (MISO6/RXD6)	E4	E19
			SCL	P21 (SCL1)	E19	E4
J26-4	SCK			P02 (SCK6)	J27 2-3	E20
		RTS		PB2 (RTS6)	J27 1-2	E20
		SDA		P20 (SDA1)	E20	J27
J26-5	GND			GND		
J26-6	VCC			+3.3 V		
J26-7	GPIO / INT (slave to master)			PA4 (IRQ5-DS)		
J26-8	GPIO / RESET (master to slave)			P55 (IRQ10)		
J26-9	GPIO / CS1			PB7 (TXD9)		
J26-10	GPIO / CS2			PB6 (RXD9)		
J26-11	GND			GND		
J26-12	VCC			+3.3 V		

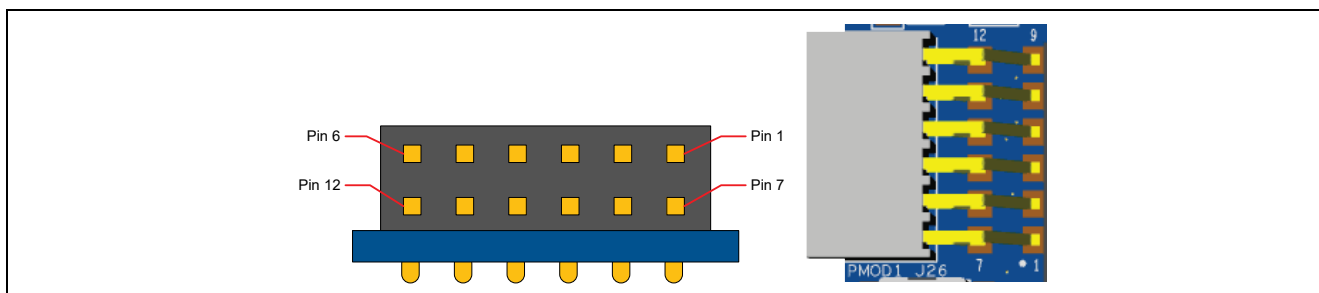


Figure 7. Pmod 1 Connector

4.3.1.2 Pmod 2 Connector

A 12-pin Pmod connector is provided at J25, Pmod 2.

Table 9. Pmod 2 Connector

Pmod 2 Connector				CK-RX65N v2	Pmod 2 Configuration	
Pin	Option Type-2A (SPI)	Option Type-3A (UART)	Option Type-6A (I ² C)	Signal/Bus	Short	Open
J25-1	SS	CTS		PJ5 (SS2/CTS2)		
J25-2	MOSI	TXD		P50 (SMOSI2/TXD2)		
J25-3	MISO	RXD		P52 (MISO2/RXD2)	E10	E21
			SCL	PE2 (SCL12)	E21	E10
J25-4	SCK			P51 (SCK2)	J28 2-3	E22
		RTS		P54 (RTS2)	J28 1-2	E22
			SDA	PE1 (SDA12)	E22	J28
J25-5	GND			GND		
J25-6	VCC			+3.3 V		
J25-7	GPIO / INT (slave to master)			P31 (IRQ1-DS)		
J25-8	GPIO / RESET (master to slave)			PA1 (IRQ11)		
J25-9	GPIO / CS2			P32 (MOSI0/TXD0)		
J25-10	GPIO / CS3			P33 (MISO0/RXD0)		
J25-11	GND			GND		
J25-12	VCC			+3.3 V		

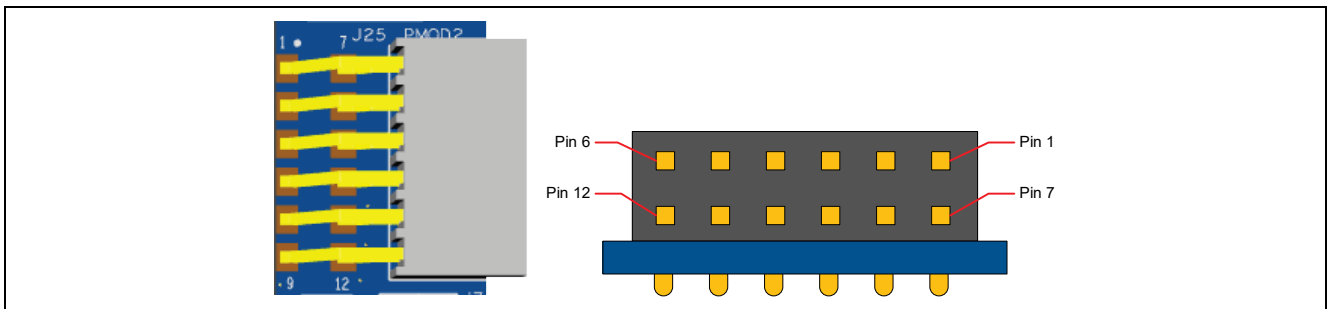


Figure 8. Pmod 2 Connector

4.3.2 Arduino™ Connector

Near the center of the System Control and Ecosystem Access area is an Arduino Uno R3 compatible connector interface.

Table 10. Arduino Uno Assignments

Arduino Compatible Connector		CK-RX65N v2
Pin	Description	Signal/Bus
J18-1	NC	NC
J18-2	IOREF	+3.3 V
J18-3	RESET	P64
J18-4	3.3 V	+3.3 V
J18-5	5 V	+5 V
J18-6	GND	GND
J18-7	GND	GND
J18-8	VIN	NC
J19-1	A0	P40 (AN000)

Arduino Compatible Connector		CK-RX65N v2
Pin	Description	Signal/Bus
J19-2	A1	P41 (AN001)
J19-3	A2	P42 (AN002)
J19-4	A3	P43 (AN003)
J19-5	A4	P44 (AN004)
J19-6	A5	P47 (AN007)
J23-1	D0 / RXD	P92 (GPIO/RXD7)
J23-2	D1 / TXD	P90 (GPIO/TXD7)
J23-3	D2 / INT0	PD3 (GPIO/IRQ3)
J23-4	D3 / INT1 / PWM	PC1 (GPIO/IRQ12/MTIOC3A)
J23-5	D4 / PWM	PD4 (GPIO/IRQ4/MTIOC8B)
J23-6	D5 / PWM	PB5 (GPIO/MTIOC1B)
J23-7	D6 / PWM	PC4 (GPIO/MTIOC3D)
J23-8	D7 / PWM	PC5 (GPIO/MTIOC3B)
J24-1	D8 / CLKOUT	P53 (GPIO/BCLK)
J24-2	D9 / PWM	PC6 (GPIO/MTIOC3C)
J24-3	D10 / SPI_SS	PB2 (GPIO/SS4)
J24-4	D11 / SPI_MOSI	PB1 (GPIO/SMOSI4)
J24-5	D12 / SPI_MISO	PB0 (GPIO/SMISO4)
J24-6	D13 / SPI_SCK	PB3 (GPIO/SCK4)
J24-7	GND	GND
J24-8	AREF	+3.3 V / VREFH0
J24-9	I2C_SDA	P20 (SDA1)
J24-10	I2C_SCL	P21 (SCL1)

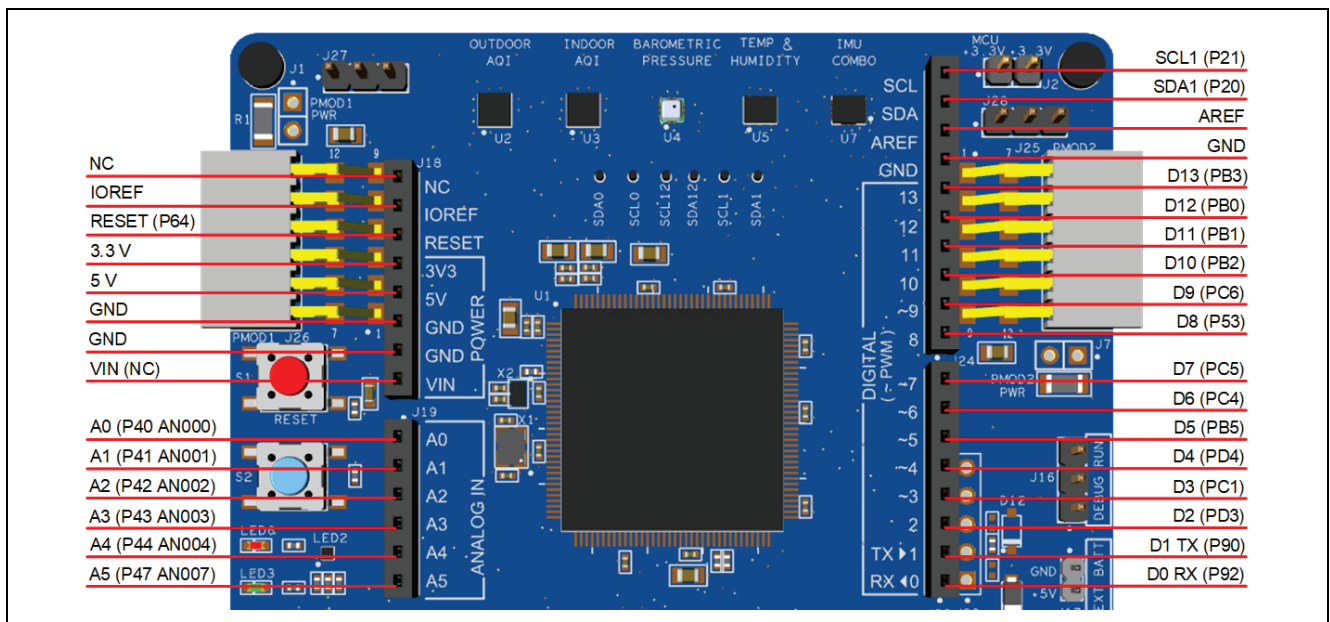


Figure 9. Arduino Uno Connectors

4.4 Connectivity

4.4.1 USB Full Speed

The USB Micro-AB connection jack (J13) connects the RX MCU USB Full Speed interface to an external USB interface, allowing communications for testing and use of the RX MCU firmware. The USB port can be configured for either USB function or USB host.

Table 11. USB Full Speed Connector

USB Full Speed Connector J13		CK-RX65N v2
Pin	Description	Signal/Bus
J13-1	+5 VDC	+5VUSB (Host Mode) *1 P16/USBFS_VBUS = 2/3 of +5VUSB at J13 *2
J13-2	Data-	USBF_N
J13-3	Data+	USBF_P
J13-4	USB ID, jack internal switch, cable inserted	NC
J13-5	Ground	GND

*1 When J12 is linked 1-2 and J15 is open

*2 When J12 is linked 2-3 and J15 is open

Table 12. USB Function / Host Jumper J12

Option	Selection
Host	Link 1-2
Function	Link 2-3

Table 13. USB Power Jumper J15

Option	Jumper
Bus-powered operation	Fitted
Self-powered operation	Not fitted

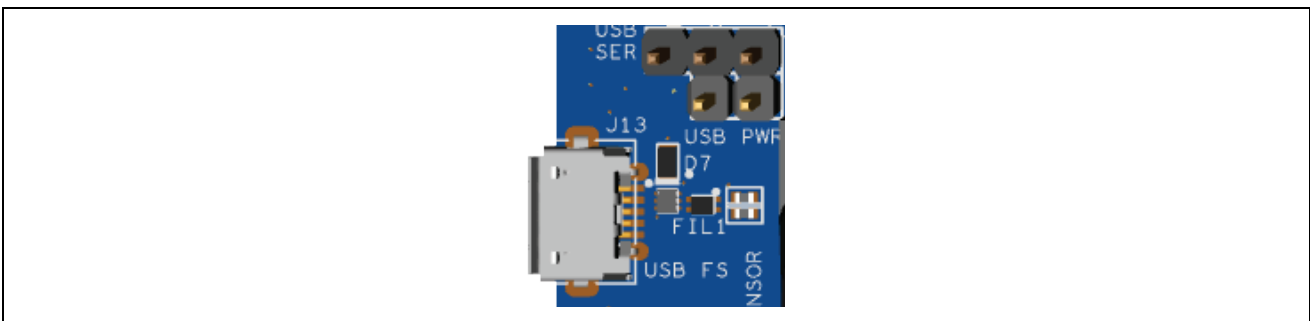


Figure 10. USB Full Speed Connector

4.5 USB Serial

The USB C connection jack (J10) connects the RX MCU USB Serial interface to an external USB interface, allowing communications for testing and use of the RX MCU firmware.

Table 14. USB Serial Connector

USB Serial Connector J10		CK-RX65N v2
Pin	Description	Signal/Bus
J10-A1	GND[0]	GND
J10-A4	V-BUS[0]	+5V_VBUS
J10-A5	CC1	USB-C_CC1
J10-A6	DP1	USBSER_P
J10-A7	DN1	USBSER_N
J10-A8	SBU1	NC
J10-A9	V-BUS[3]	+5V_VBUS

USB Serial Connector J10		CK-RX65N v2
Pin	Description	Signal/Bus
J10-A12	GND[3]	GND
J10-B1	GND[2]	GND
J10-B4	V-BUS[2]	+5V_VBUS
J10-B5	CC2	USB-C_CC2
J10-B6	DP2	USBSER_P
J10-B7	DN2	USBSER_N
J10-B8	SBU2	NC
J10-B9	V-BUS[1]	+5V_VBUS
J10-B12	GND[1]	GND
J10-MD1	MD1	NC
J10-MD2	MD2	NC
J10-S1	SHIELD[0]	GND
J10-S2	SHIELD[1]	GND
J10-S3	SHIELD[2]	GND
J10-S4	SHIELD[3]	GND

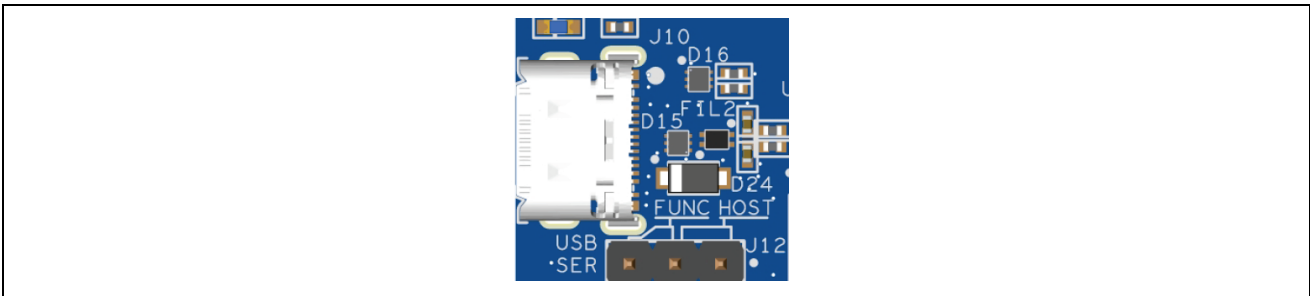


Figure 11. USB Serial Connector

4.6 Miscellaneous

4.6.1 User and Power LEDs

Six LEDs are provided on the CK-RX65N v2 board. In addition, the Ethernet connector has built-in link status and link speed LEDs.

Behavior of the LEDs on the CK-RX65N v2 board is described in the following table.

Table 15. CK-RX65N v2 Board LED Functions

Designator	Color	Function	MCU Control Port
LED1	White	Power on indicator	+3.3 V
LED2	RGB	User LED	R: P17, G: P87, B: PA7
LED3	Green	User LED	P22
LED4	Blue	User LED	PA3
LED5	Green	Debug LED	E2OB debugger MCU
LED6	Red	User LED	P25

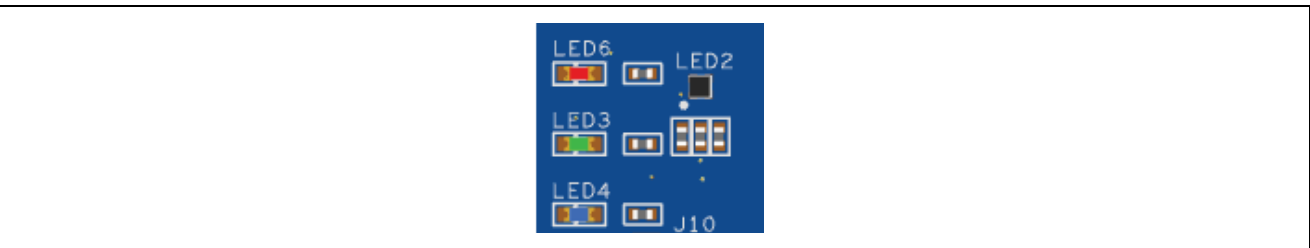


Figure 12. User LEDs



Figure 13. Power LED

4.6.2 User and Reset Switches

Two miniature, momentary, mechanical push-button type SMT switches are mounted on the CK-RX65N v2 board.

Pressing the reset switch (S1) generates a reset signal to restart the RX MCU.

Table 16. CK-RX65N v2 Board Switches

Designator	Function	MCU Control Port	Button Color
S1	MCU Reset Switch	RESET#	Red
S2	User Switch	PD0 (IRQ0)	Blue

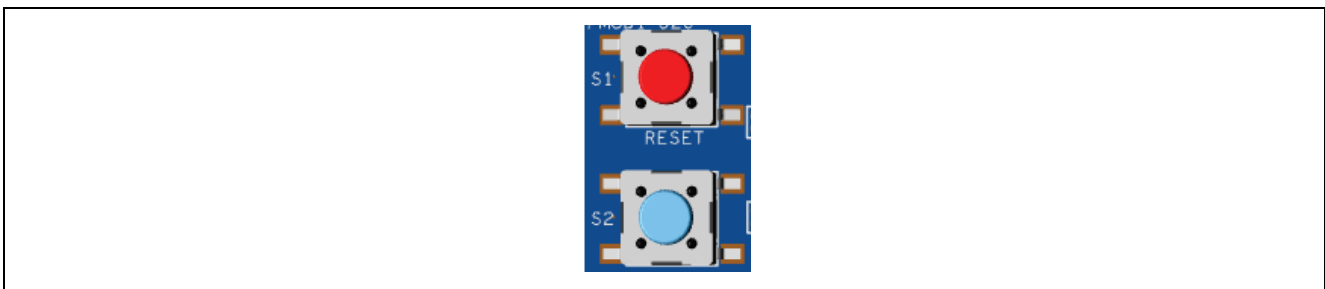


Figure 14. Reset and User Switches

4.6.3 MCU Boot Options

When the MCU is released from reset, the levels on the MD, UB, and UPSEL pins determine the boot mode of the MCU.

Three two-pin jumpers (J11, J21 and J22) are provided to select the boot mode of the RX MCU. The tables below give the available options.

Table 17. Boot Mode Selection

Boot Mode	J11 (MD)	J21 (UB)
SCI Boot Mode	Closed	Closed
USB Boot Mode	Closed	Open
Normal Operation (Single Chip Mode)	Open	Closed

In USB boot mode, J22 (UPSEL) selects the bus mode.

Table 18. USB Bus Mode Selection

J22 (UPSEL) Setting	Setting
Open	USB Bus-Powered Mode Selected
Closed	USB Self-Powered Mode Selected

Please note that these jumpers should only be changed when the board is not powered.

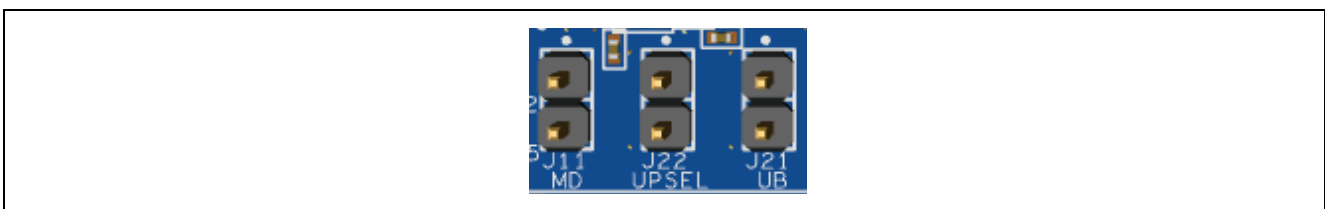


Figure 15. Boot Mode and USB Bus Mode Selection Jumpers

4.7 Ethernet

The Ethernet interface uses an RMII Ethernet Physical Layer Transceiver (PHY) (U11), connected to an RJ45 standard Ethernet connector (J5) with integrated magnetics and status indicators. The Ethernet clock is sourced from a precision 50 MHz crystal oscillator (OSC1) connected directly to the Ethernet PHY.

Table 19. Ethernet Port Assignments

Ethernet Signal Description	RX65N MCU Port
IRQ	PD2 (IRQ2)
MDC	P72
MDIO	P71
TXD1	P82
TXD0	P81
TXD_EN	PB4
RXD1	P74
RXD0	P75
CRS_DV	P83
RX_ER	P77
REF-50-CK	P76
RST#	P80
LINK_STATUS	PA5

Table 20. Ethernet Components

Component	Manufacturer	Manufacturer Part Number
Ethernet PHY	Renesas	ICS1894-32
RJ-45 Connector	Pulse	J0011D21BNL
50 MHz Oscillator	ECS Inc International	ECS-1612MV-500

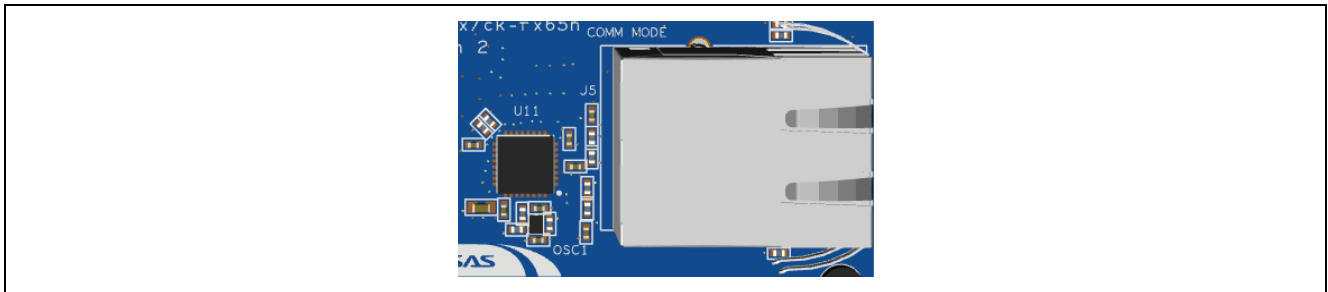


Figure 16. Ethernet Connector

4.8 Onboard Sensors

The CK-RX65N v2 is fitted with several onboard sensors, including a barometric pressure sensor, 6-axis MEMS motion tracking sensor, indoor air quality sensor, outdoor air quality sensor, biometric sensor, temperature, and humidity sensor.

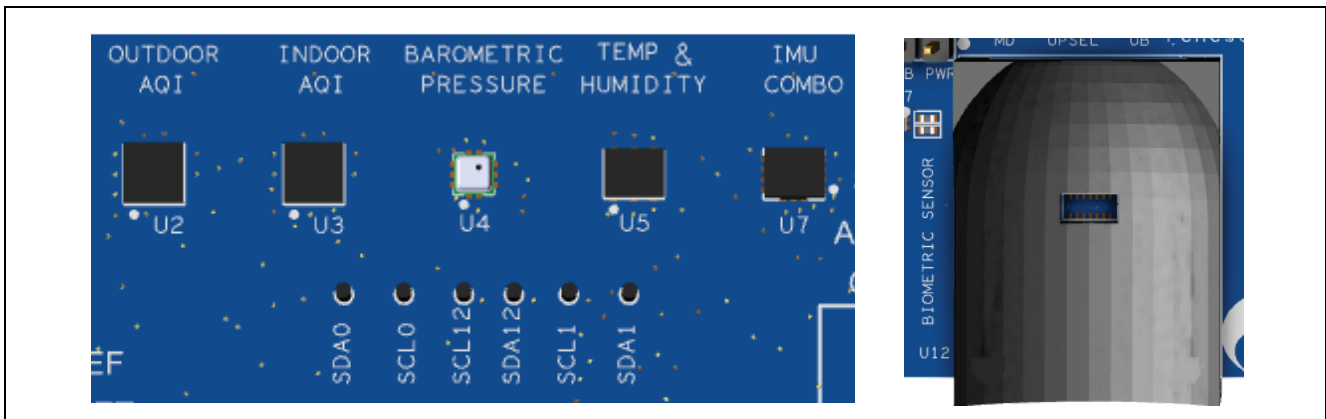


Figure 17. On Board Sensors

4.8.1 HS3001 Temperature and Humidity Sensor

An integrated calibration and temperature compensation logic provides fully corrected relative humidity and temperature values via a standard I²C output. The measured data is internally corrected and compensated for accurate operation over a wide range of temperature and humidity levels.

Table 21. HS3001 Port Assignments

Pin Number	HS3001 Signal Description	RX65N MCU Port
1	SCL	P12 (SCL0)
2	SDA	P13 (SDA0)
3	VC	Connect a 0.1 μF decoupling capacitor from VC to ground
4	VDD	+3.3 V
5	NC	NC
6	VSS	GND

4.8.2 OB1203 Biometric Sensor

The OB1203 is a fully integrated optical sensing module for Pulse Oximetry (PPG - photoplethysmography), multi-channel Color Sensing (CS), Ambient Light Sensing (LS) and Proximity Sensing (PS). It can determine human heart rate, blood oxygen saturation (SpO₂), respiration rate and heart rate variability (a measure of stress). The OB1203 integrates all light sources, drivers, and the sensor elements, in a single optically optimized package.

Table 22. OB1203 Port Assignments

Pin Number	OB1203 Signal Description	RX65N MCU Port
1	NC	NC
2	SCL	PE2 (SCL12)
3	SDA	PE1 (SDA12)
4	LGND	GND
5	LED1	TP1
6	LED2	TP2
7	LVDD	+3.3 V
8	LVDD	+3.3 V
9	LVDD	+3.3 V
10	LVDD	+3.3 V
11	VDD	+3.3 V
12	AGND	GND
13	INT	P67 (IRQ15)
14	NC	NC

4.8.3 ZMOD4510 Outdoor Air Quality Sensor

The ZMOD4510 gas sensor platform detects air quality in a variety of indoor and outdoor applications. The signal conditioner controls the sensor temperature and measures the MOx resistance, which is a function of the gas concentration. The device is ideal for monitoring and reporting Outdoor Air Quality (OAQ).

Table 23. ZMOD4510 Port Assignments

Pin Number	ZMOD4510 Signal Description	RX65N MCU Port
1	SCL	P21 (SCL1)
2	SDA	P20 (SDA1)
3	INT	P45 (IRQ13)
4	NC	NC
5	VDD	+3.3 V
6	VSS	GND
7	VSS	GND
8	NC	NC
9	VSS	GND
10	VDDH	+3.3 V
11	RES_N	P63
12	VDDIO	+3.3 V

4.8.4 ZMOD4410 Indoor Air Quality Sensor

The ZMOD4410 Gas Sensor Module is designed for detecting total volatile organic compounds (TVOC) and monitoring indoor air quality (IAQ). The module's sense element consists of a heater element on a Si-based MEMS structure and a metal oxide (MOx) chemiresistor. The signal conditioner controls the sensor temperature and measures the MOx conductivity, which is a function of the gas concentration.

Table 24. ZMOD4410 Port Assignments

Pin Number	ZMOD4410 Signal Description	RX65N MCU Port
1	SCL	P21 (SCL1)
2	SDA	P20 (SDA1)
3	INT	P46 (IRQ14)
4	NC	NC
5	VDD	+3.3 V
6	VSS	GND
7	VSS	GND
8	NC	NC
9	VSS	GND
10	VDDH	+3.3 V
11	RES_N	P62
12	VDDIO	+3.3 V

4.8.5 ICM-42605 6-Axis MEMS Motion Tracking Sensor

The ICM-42605 is a low power 6-axis motion tracking sensor with a 3-axis gyroscope and a 3-axis accelerometer, as well as digital motion processor; offloading computation from the RX65N MCU improving system performance.

Table 25. ICM-42605 Port Assignments

Pin number	ICM-42605 Signal Description	RX65N MCU Port
1	AP_SDO/AP_AD0	GND (E18 closed) / +3.3 V (cut E18, fit R129)
2	RESV	GND
3	RESV	GND
4	INT1/INT	PE7 (IRQ7)
5	VDDIO	+3.3 V
6	GND	GND
7	RESV	GND
8	VDD	+3.3 V
9	INT2/FSYNC	PE6 (IRQ6)
10	RESV	GND
11	RESV	GND
12	AP_CS	+3.3 V
13	AP_SCL/AP_SCLK	P12 (SCL0)
14	AP_SDA/AP_SDIO/AP_SDI	P13 (SDA0)

The I²C address of the ICM-42605 is 0x68. This can be changed to 0x69 if required by cutting link E18 and fitting 0R resistor R129.

4.8.6 ICP-20100 Barometric Pressure Sensor

The ICP-20100 is based on MEMS capacitive technology which provides ultra-low noise at the lowest power, providing a high level of relative accuracy, sensor throughput, and temperature stability. The pressure sensor can measure pressure differences with an accuracy of ± 1 Pa, enabling altitude measurement differentials as small as 8.5 cm.

Table 26. ICP-20100 Port Assignments

Pin Number	ICP-20100 Signal Description	RX65N MCU Port
1	CSB	+3.3 V
2	SCL	P12 (SCL0)
3	VSS	GND
4	SDA/SDIO/SDI	P13 (SDA0)
5	VDD	+3.3 V
6	SDO/AD0	GND (E17 closed) / +3.3 V (cut E17, fit R128)
7	INT	P03 (IRQ11)
8	RESV	GND
9	RESV	GND
10	VDDIO	+3.3 V

The I²C address of the ICP-20100 is 0x63. This can be changed to 0x64 if required by cutting link E17 and fitting 0R resistor R128.

4.8.7 SPU0410 MEMS Microphones

The SPU0410LR5H-QB is a miniature, low power, top port microphone with an analog output. It consists of a high-performance acoustic sensor, a low noise input buffer, and an output amplifier. For stereo, there are two microphones fitted to the board. The outputs from the microphones are further amplified by an ISL28214 dual operational amplifier, before being fed to the MCU.

Table 27. SPU0410 Port Assignments

Microphone	RX65N MCU Port
U18	P91 (AN115)
U19	P93 (AN117)

5. MCU Native Access Area

5.1 MCU and Pmod Current Measurement

Included in the Native Pin Access area are current measurement resistors and test points to measure the MCU core power current and Pmod power current.

The CK-RX65N v2 board has pin header test points for current measurement of the main +3.3 V MCU power and for Pmod power. To measure current, remove 0 Ohm resistor and install pin header. Alternatively use a resistor of known value and measure the voltage drop across the resistor and use Ohm's Law to calculate the current. J2 can be used to measure the MCU power, J1 can be used to measure Pmod 1 power, and J7 can be used to measure Pmod 2 power.

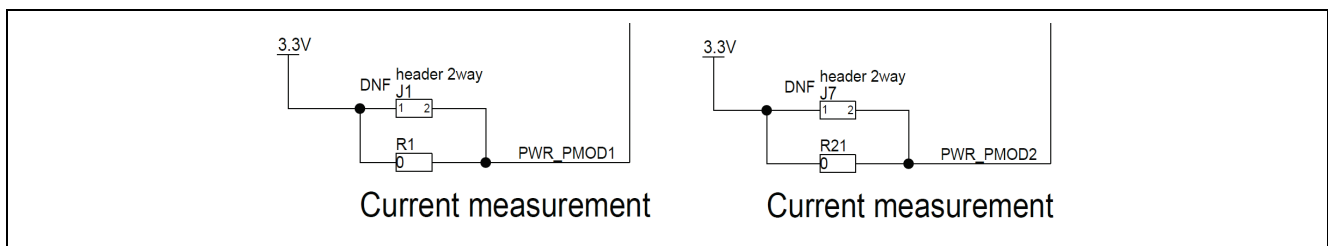


Figure 18. RX Pmod Current Measurement Circuit

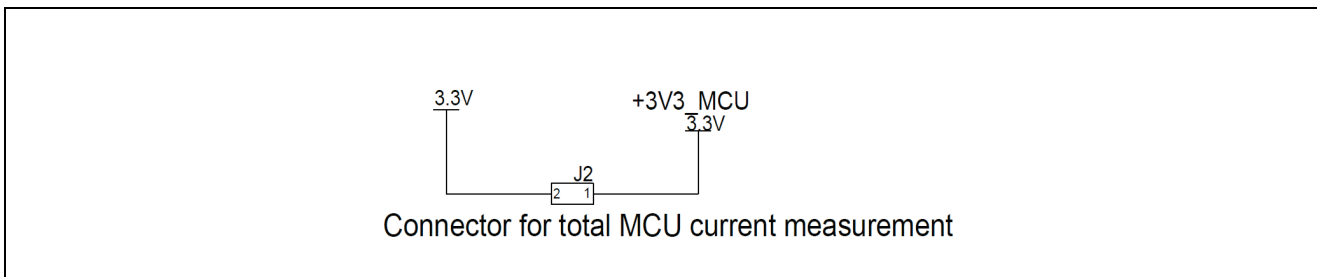


Figure 19. RX +3.3 V Current Measurement Circuit



Figure 20. RX MCU Current Measurement



Figure 21. Pmod Current Measurement

6. Recommended Parts

The below table lists recommended part numbers for optional components that can be fitted as required.

Table 28. Part Numbers

Designator(s)	Description	Manufacturer	Part Number
C96, C97	100 nF capacitor	Yageo	CC0402KRX7R8BB104
J1, J7	1-Row 2-Way 0.1" header	Wuerth Elektronik	613 002 111 21
LED7	Red LED	Wuerth Elektronik	150060RS75000
R122	10k resistor	Yageo	RC0402FR-0710KL
R128, R129	0R resistor	Yageo	RC0402JR-070RL

7. Certifications

The CK-RX65N v2 kit meets the following certifications/standards. See page 3 of this user's manual for the disclaimer and precautions.

7.1 EMC/EMI Standards

- FCC Notice (Class A)



This device complies with part 15 of the FCC Rules. Operation is subject to the following two conditions: (1) This device may not cause harmful interference, and (2) this device must accept any interference received, including interference that may cause undesired operation.

NOTE- This equipment has been tested and found to comply with the limits for a Class A digital device, pursuant to Part 15 of the FCC Rules. These limits are designed to provide reasonable protection against harmful interference in a residential installation. This equipment generates, uses and can radiate radio frequency energy and, if not installed and used in accordance with the instructions, may cause harmful interference to radio communications. However, there is no guarantee that interference will not occur in a particular installation. If this equipment does cause harmful interference to radio or television reception, which can be determined by turning the equipment off and on, the user is encouraged to try to correct the interference by one or more of the following measures:

- Reorient or relocate the receiving antenna.
- Increase the separation between the equipment and receiver.
- Connect the equipment into an outlet on a circuit different from that to which the receiver is connected.
- Consult the dealer or an experienced radio/television technician for help.

- Innovation, Science and Economic Development Canada ICES-003 Compliance:

CAN ICES-3 (A)/NMB-3(A)

- CE Class A (EMC)



This product is herewith confirmed to comply with the requirements set out in the Council Directives on the Approximation of the laws of the Member States relating to Electromagnetic Compatibility Directive 2014/30/EU.

Warning – This is a Class A product. In a domestic environment this product may cause radio interference in which case the user may be required to take adequate measures to correct this interference.

- UKCA Class A (EMC)



This product is in conformity with the following relevant UK Statutory Instrument(s) (and its amendments): 2016 No. 1091 Electromagnetic Compatibility Regulations 2016.

Warning – This is a Class A product. In a domestic environment this product may cause radio interference in which case the user may be required to take adequate measures to correct this interference.

- Taiwan: Chinese National Standard 13438, C6357 compliance, Class A limits
- Australia/New Zealand AS/NZS CISPR 32:2015, Class A

7.2 Material Selection, Waste, Recycling and Disposal Standards

- EU RoHS
- WEEE
- China SJ/T 113642014, 10-year environmental protection use period.

7.3 Safety Standards

- UL 94V-0

8. Design and Manufacturing Information

The design and manufacturing information for the CK-RX65N v2 kit is available in the “CK-RX65N v2 Design Package” available on renesas.com/rx/ck-rx65n.

- Design package file name: ck-rx65n-v2-designpackage.zip
- Design package contents

Table 29. CK-RX65N v2 Board Design Package Contents

File Type	Content	File/Folder Name
File (PDF)	Schematics	ck-rx65n-v2-schematics
File (PDF)	Mechanical Drawing	ck-rx65n-v2-mechdwg
File (PDF)	3D Drawing	ck-rx65n-v2-3d
File (PDF)	BOM	ck-rx65n-v2-bom
Folder	Manufacturing Files	Manufacturing Files
Folder	Design Files	Design Files-Cadence Allegro

9. Website and Support

Visit the following URLs to learn about the kit and the RX family of microcontrollers, download tools and documentation, and get support.

CK-RX65N v2 Resources	renesas.com/rx/ck-rx65n
Cloud Solutions	renesas.com/cloudsolutions
RX Cloud Solution Portal	renesas.com/rx/cloudsolutions
RX Product Information	renesas.com/rx
RX Product Support Forum	renesas.com/rx/forum
Renesas Support	renesas.com/support

Revision History

Rev.	Date	Description	
		Page	Summary
1.00	Sep.15.23	—	Initial release

CK-RX65N v2 – User's Manual

Publication Date: Sep.15.23

Published by: Renesas Electronics Corporation

CK-RX65N v2 – User's Manual