

Renesas Starter Kit for RX24T CPU Board Schematics

REV	REF	DATE	DRAWN BY
1.00	Release	24.11.2015	YUO

PAGE	DESCRIPTION
1	INDEX
2	RX24T Microcontroller
3	PSU, Reset, Switches, LEDs, MCU Mode Setting
4	MCU Pin Function Select, Application Headers
5	E1, USB to Serial Interface
6	Pmod Interface, IIC EEPROM
7	Microcontroller Pin Headers

Note:

C : Capacitor
D : Diode
R : Fixed Resistor
RV : Potentiometer
U : Integrated Circuit
X : Crystal, Oscillator
RES : Reset Switch
SW : Switch
LED : Light Emitting Diode
PWR : Power Jack
J : Connector, Jumper

* "DNF" marking means that component
is not fitted by default.

Board Code:

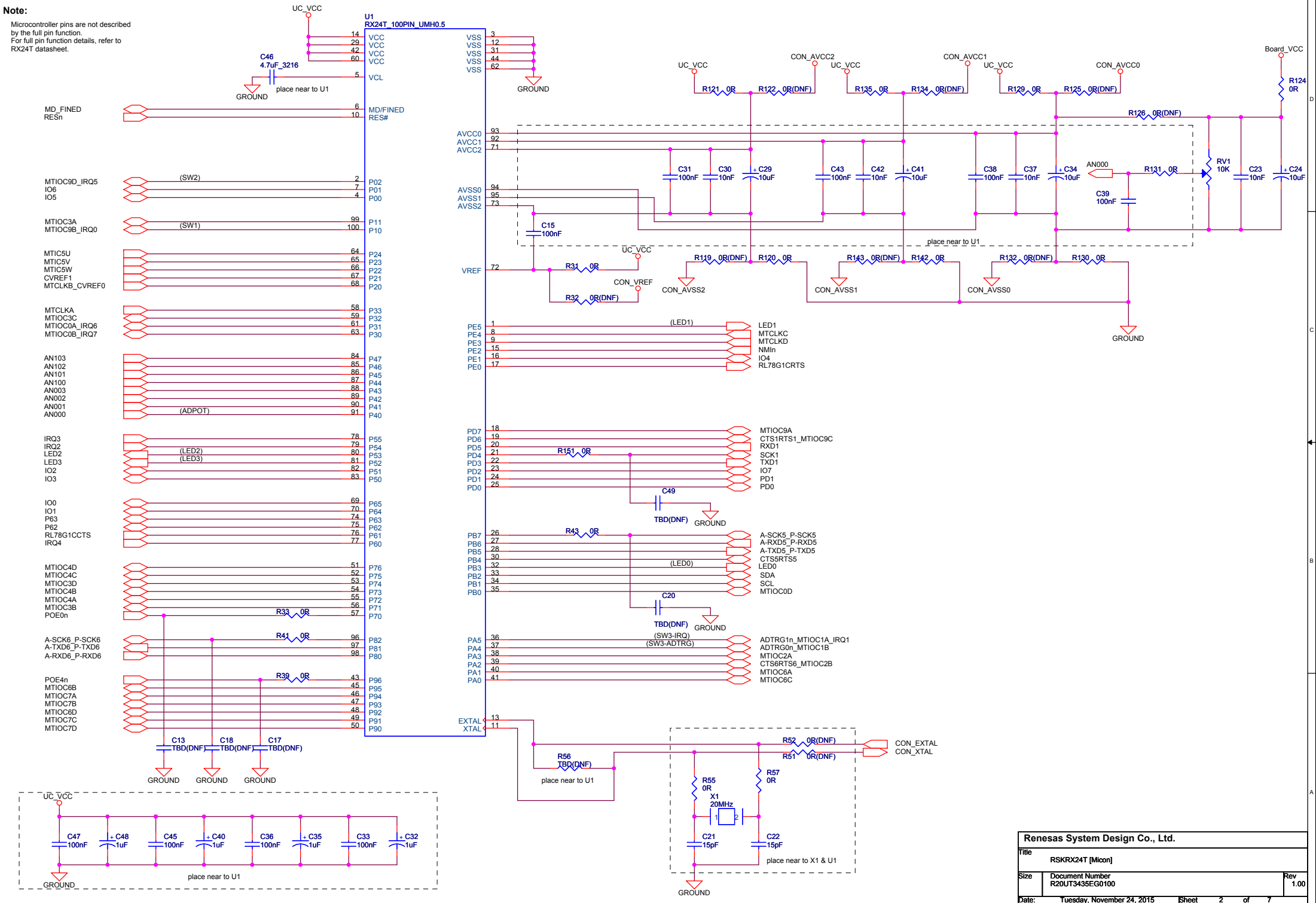
RTK500524TC00000BE : MP Board

REEL Drawing No. D014332_04

Renesas System Design Co., Ltd.			
Title		RSKRX24T [Index]	
Size	Document Number	Rev	
	R20UT3435EG0100	1.00	
Date:	Tuesday, November 24, 2015	Sheet	1 of 7

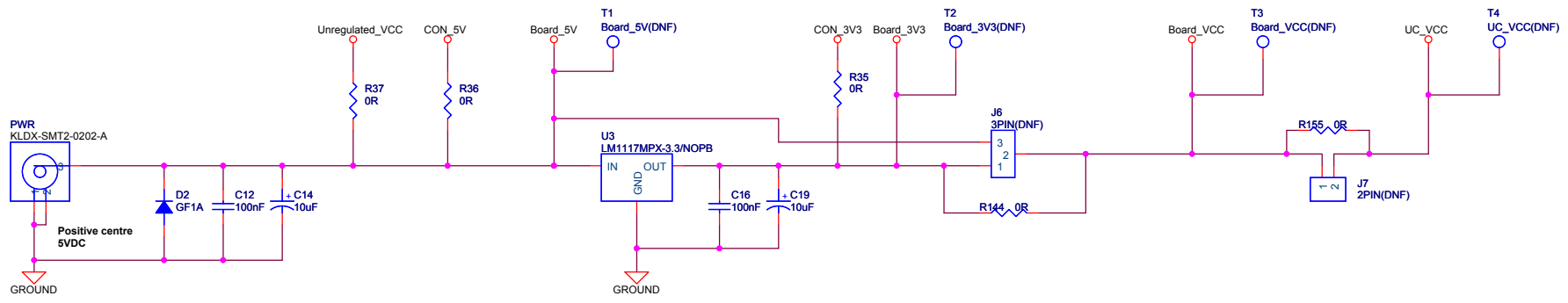
RX24T Microcontroller

Note:
Microcontroller pins are not described by the full pin function.
For full pin function details, refer to RX24T datasheet.



Reenas System Design Co., Ltd.		
Title: RSKRX24T [Micon]		
Size: R20UT3435EG0100	Rev: 1.00	
Date: Tuesday, November 24, 2015	Sheet: 2	of: 7

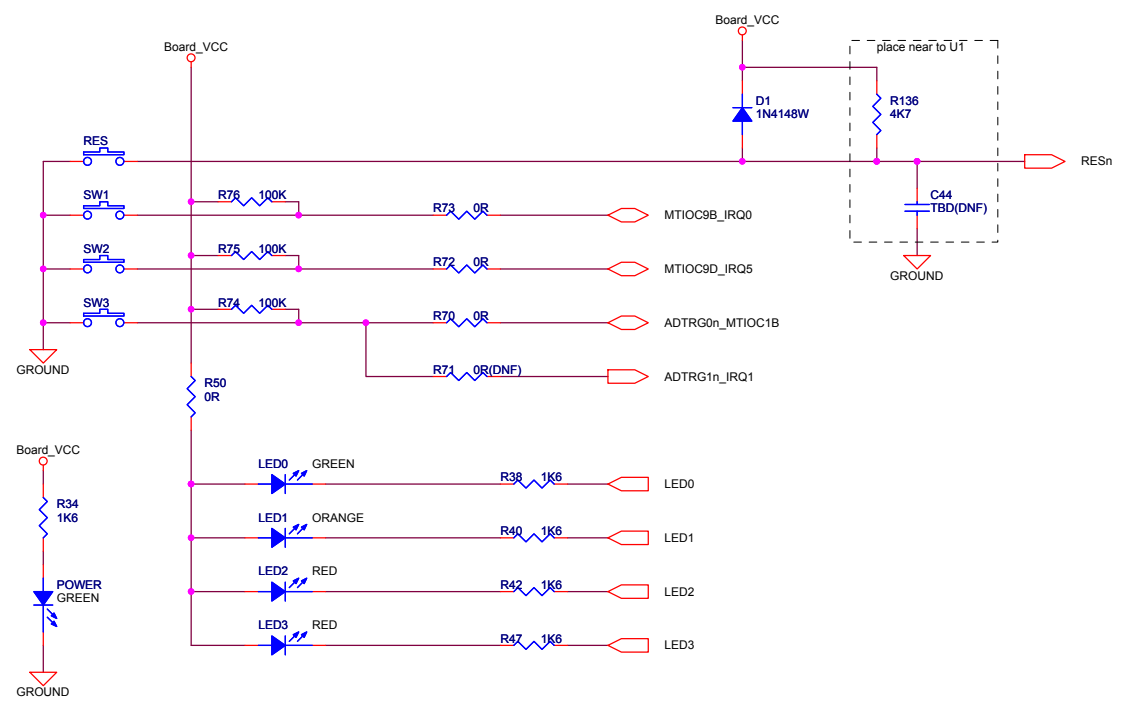
Power Supply Unit



Power Supply Configuration

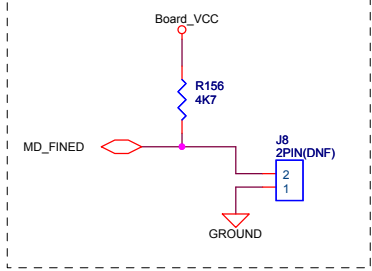
J6	R144	Power Supply Source	Board_VCC UC_VCC	Unavailable Feature
All Open/DNF	FIT	PWR/Unregulated_VCC/CON_5V E1(3V3)/CON_3V3	3V3	None
1-2 shorted	DNF	PWR/Unregulated_VCC/CON_5V E1(3V3)/CON_3V3	3V3	None
2-3 shorted	DNF	PWR/Unregulated_VCC/CON_5V E1(5V)	5V	Pmod

Switches, LEDs, RESET

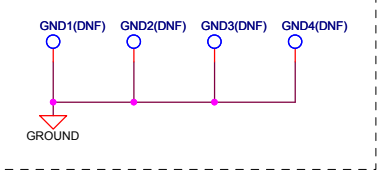


MCU Operating Mode Configuration

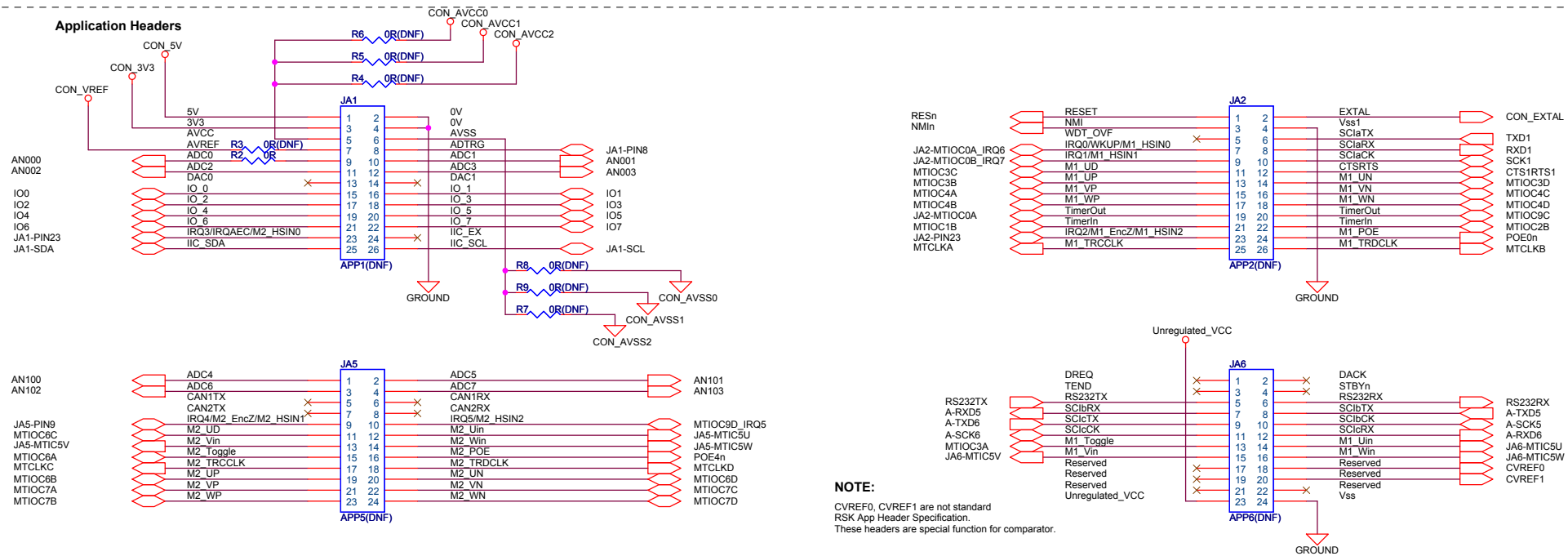
J8	Operating Mode
Open	Single Chip Mode
Shorted Pin	Boot Mode (SCI)



Ground Test Point

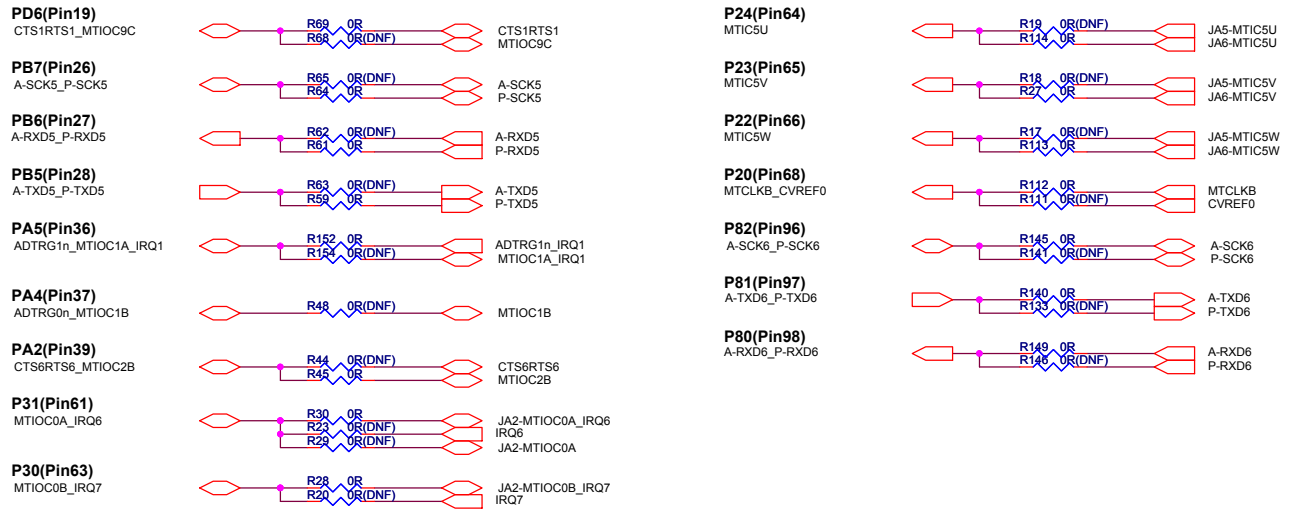


Application Headers

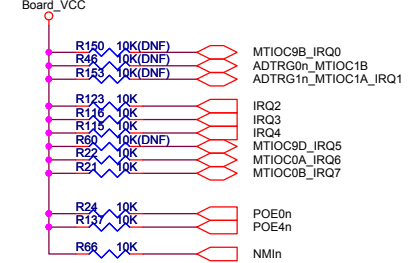


NOTE:
 CVREF0, CVREF1 are not standard RSK App Header Specification. These headers are special function for comparator.

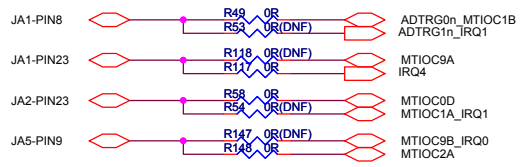
MCU Pin Function Select

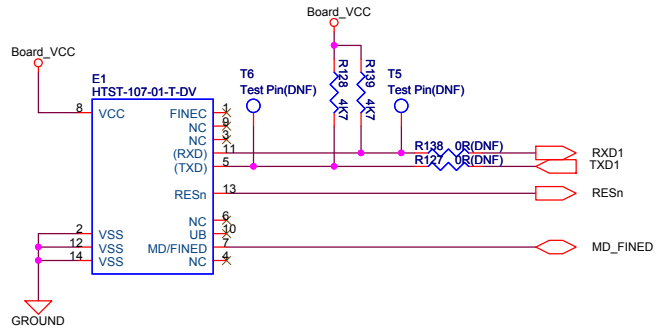


Pull-up resistor



Application Header Function Select



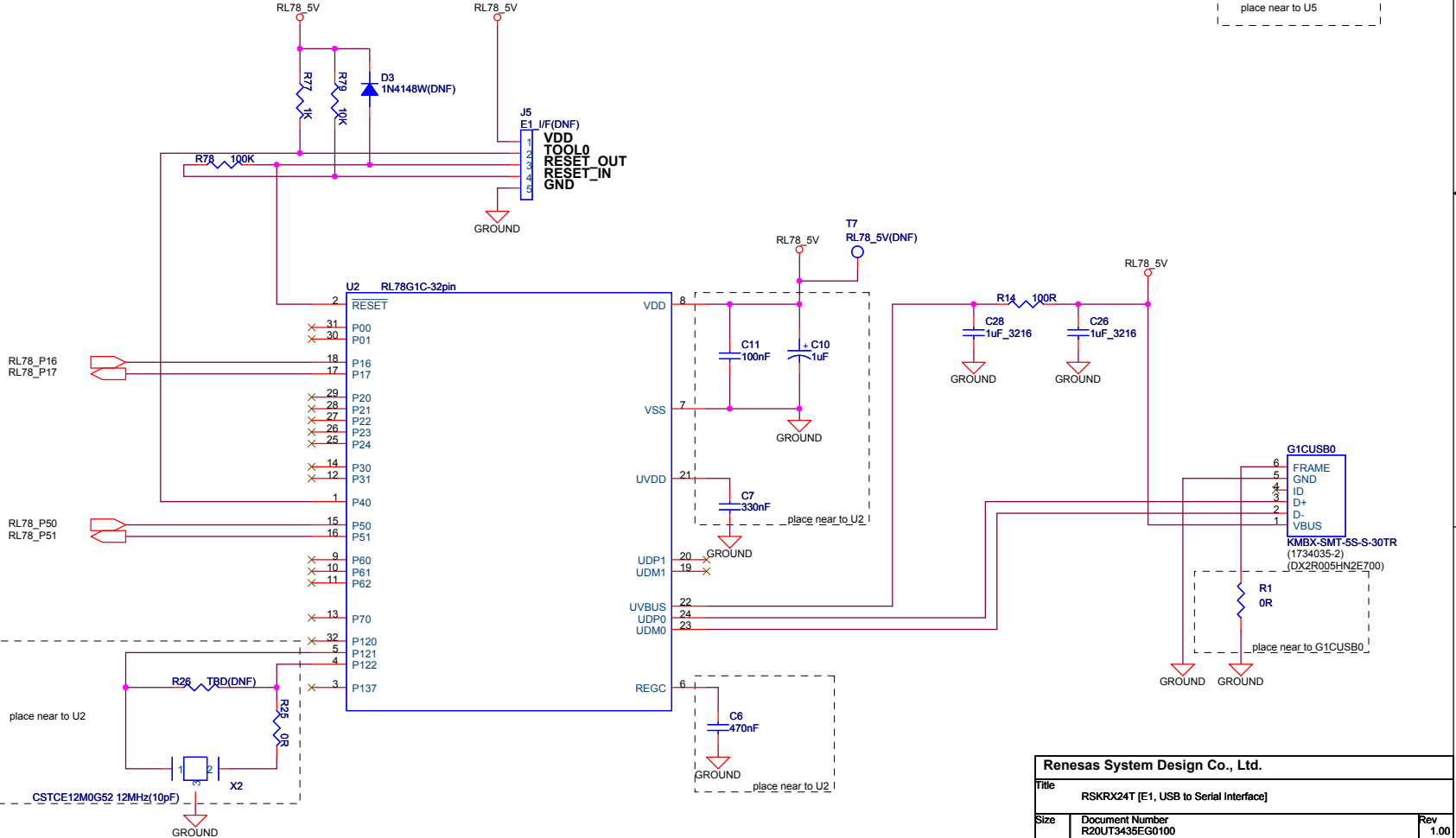
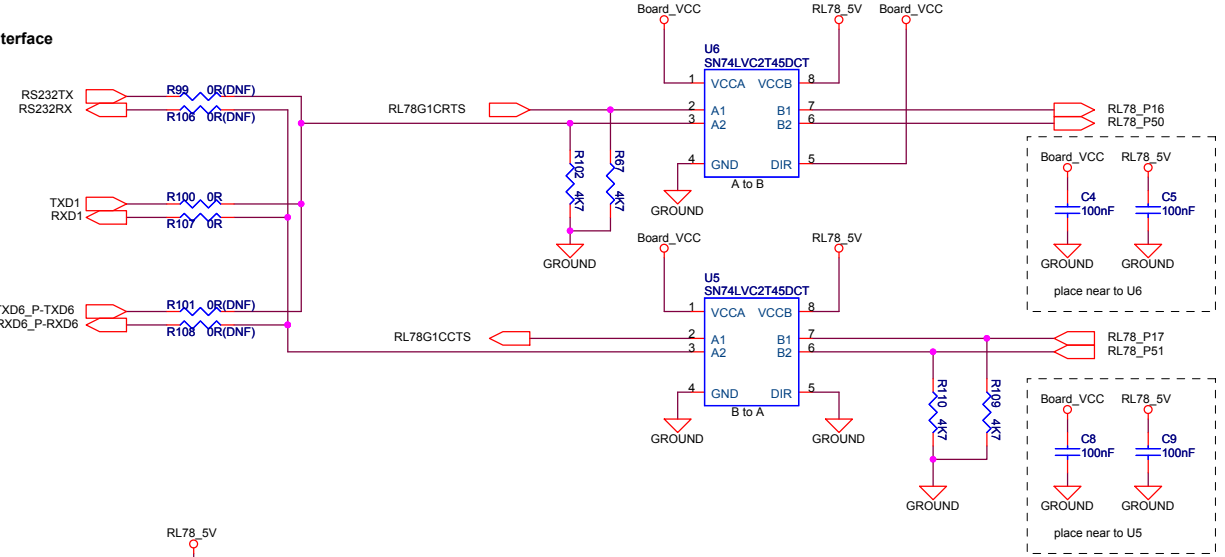


USB to Serial Port Interface

To App Header

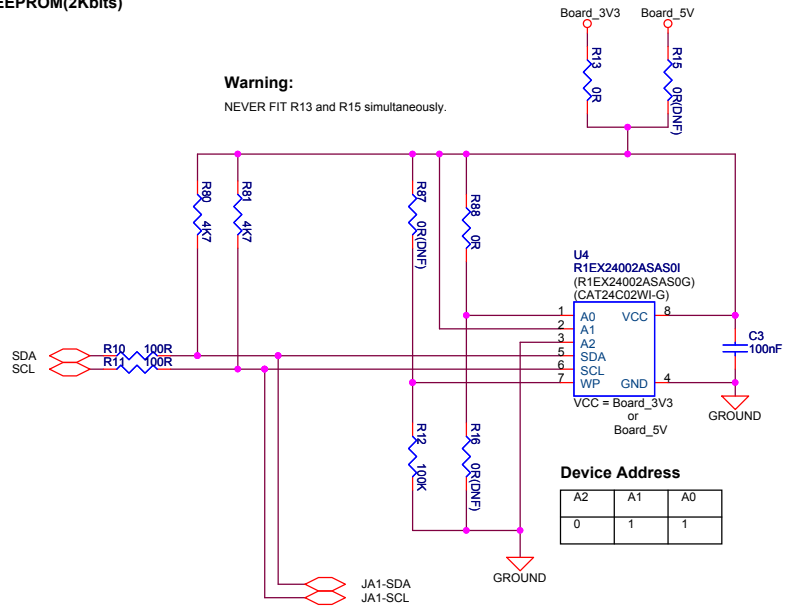
RX24T_SCI1

RX24T_SCI6



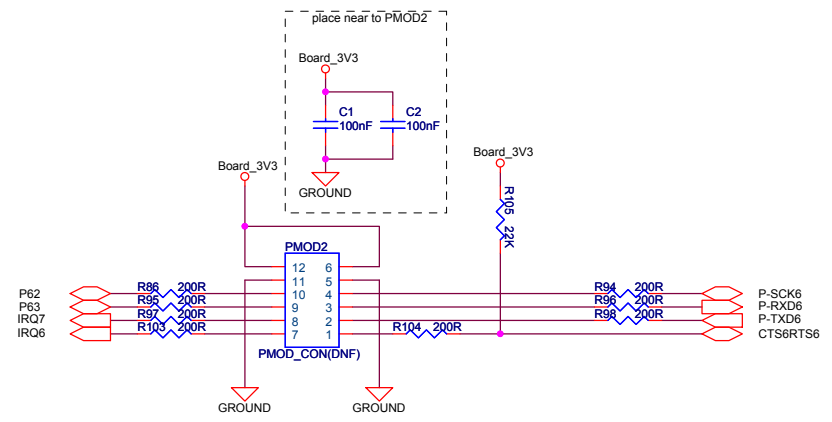
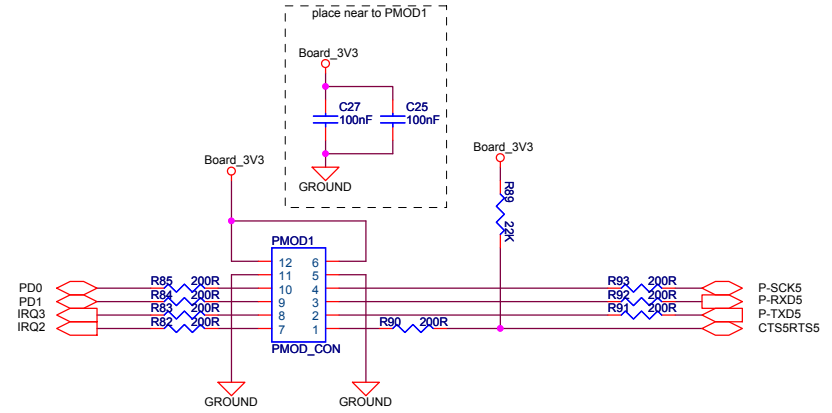
IIC EEPROM(2Kbits)

Warning:
NEVER FIT R13 and R15 simultaneously.

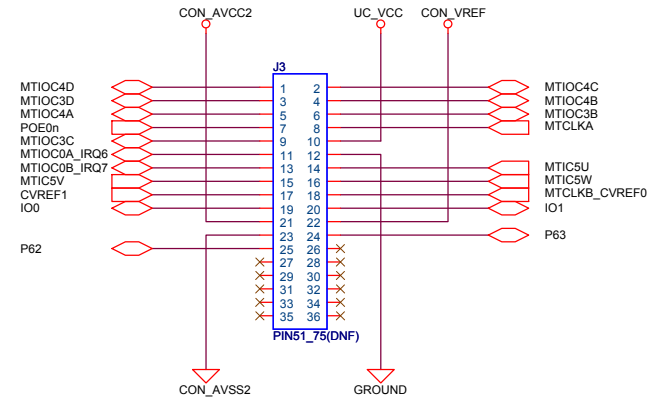
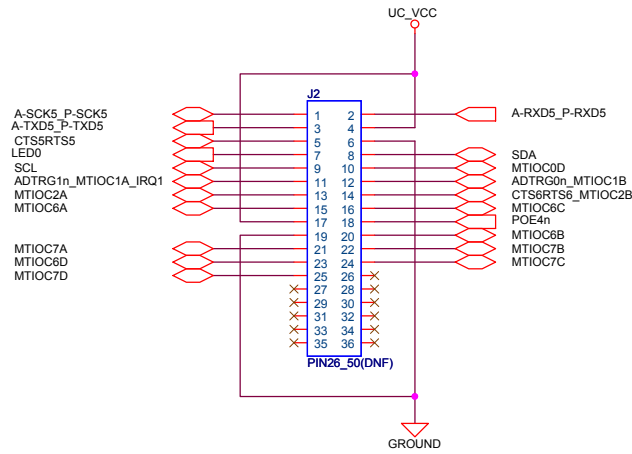
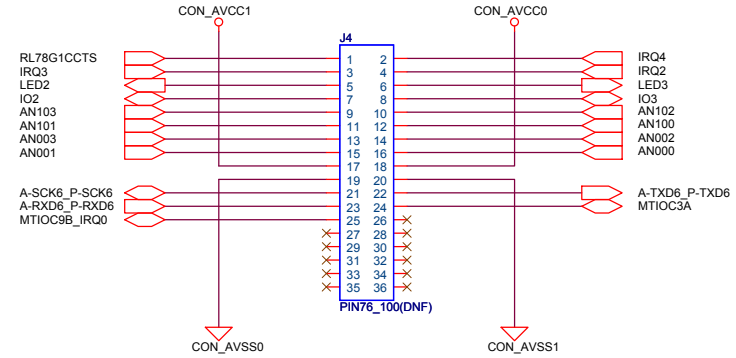
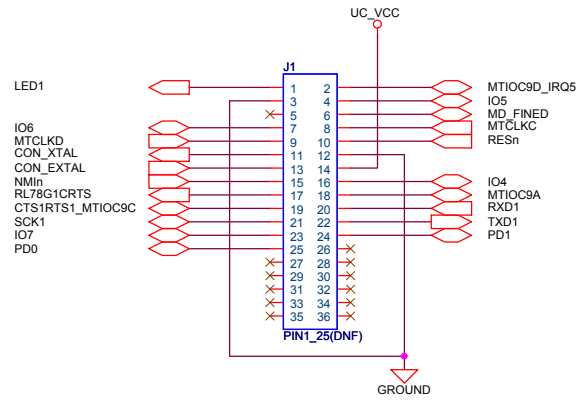


Pmod Interface

PMOD1: Angle type connector
PMOD2: Vertical type connector (spare)



Microcontroller Pin Headers



Revision History

REV	DATE	PAGE	DESCRIPTION
1.00	24.11.2015	---	1st release edition.

Renesas System Design Co., Ltd.			
Title		RSKRX24T [Revision History]	
Size	Document Number	Rev	
	R20UT3435EG0100	1.00	
Date:	Tuesday, November 24, 2015	Sheet	X of X