

RTK0EM0000B10020BJ rev. 1.1

Schematic

- 01 : Contents
- 02 : Inverter
- 03 : Connector
- 04 : History

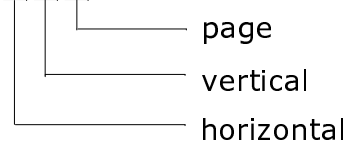
Supplementary explanation :

DNF: unmounted part

Access point : <horizontal, vertical, page>

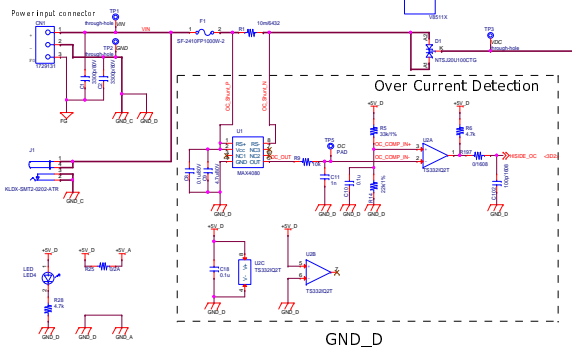
Ex.

< 4 C 3 >



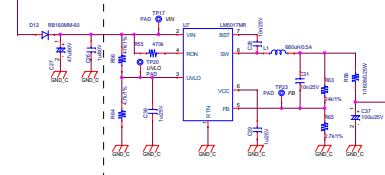
Title		
RTK0EM0000B10020BJ		
Size	Document Number	Rev
A3	R12TU0072EJ0110	1.10
Date:	Wednesday, October 21, 2020	Sheet 1 of 4

Inverter circuit



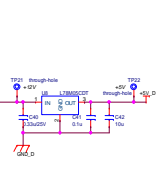
GND_D

DC/DC 12V



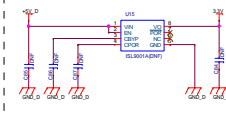
GND_C

Linear Regulator 5V



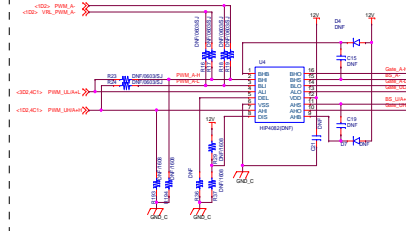
GND_D

3.3V LDO

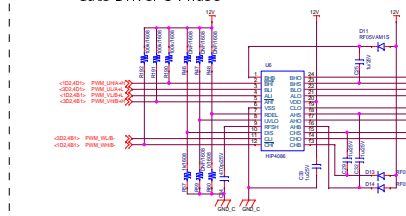


GND_D

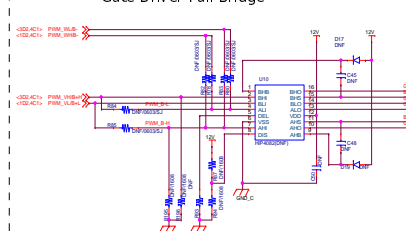
Gate Driver Full Bridge



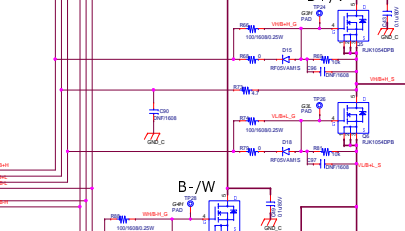
Gate Driver 3 Phase



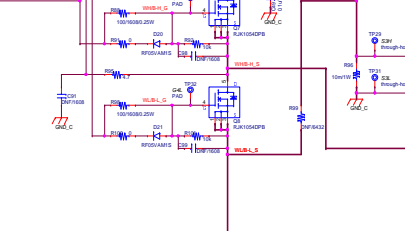
Gate Driver Full Bridge



B+ / V



B- / W

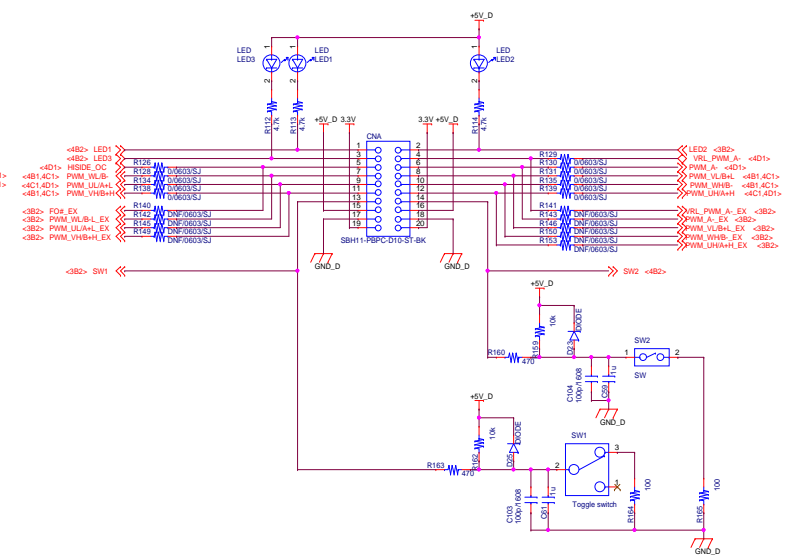
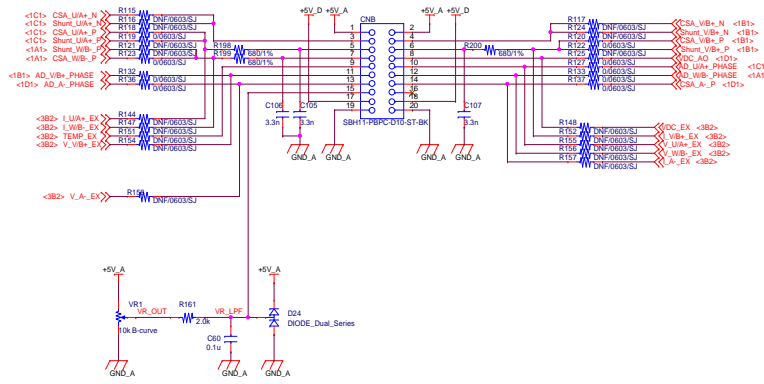


GND_C

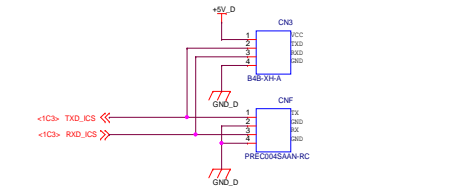
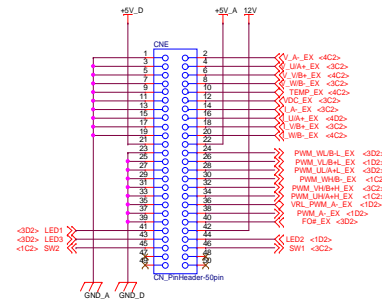
GND_A

Connector part

CPU card connector



External CPU card connector



RMW communication connector

History

Rev.	Date	Page	Summary
1.00	2020/3/12	—	First edition
1.10	2020/9/25	P2	R53, R62, R90, R97, R109, R111 : 100 -> 22 C35, C36, C52, C53, C57, C58 : 1n -> 0.1u
		P3	R116 : 0 -> DNF R124 : 0 -> DNF Add R198, R199, R200, C105, C106, C107