

MIP-LCD Expansion Board Schematics

PAGE	DESCRIPTION
1	INDEX
2	Input PIN Header,MIP-LCD connector

Note:

CN : Connector

* "DNF" marking means that component is not fitted by default.

Board Code:

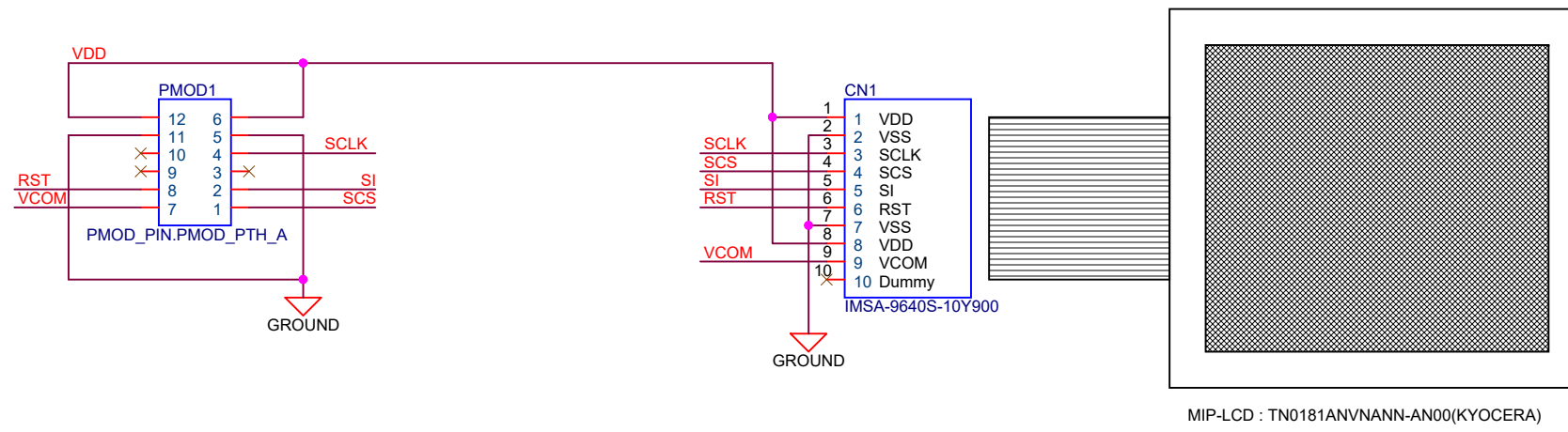
RTK70E015DB00000BE : MP MIP-LCD Expansion Board (Made in UK)

RTK70E015DB00000BJ : MP MIP-LCD Expansion Board (Made in Japan)

REE Drawing No. D016282_04

Renesas Electronics Corporation		
Title MIP-LCD Expansion Board [INDEX]		
Size A3	Document Number R20UT4564EJ0300	Rev 3.00
Date: Thursday, June 18, 2020	Sheet 1	of 2

Input PIN Header,MIP-LCD connector



Revision History

REV	DATE	PAGE	DESCRIPTION
1.0	26.07.2019	ALL	New
2.0	08.10.2019	ALL	1st release version.
		1	Changes product name. Changes title.
		2	Change parts name of MIP-LCD.(TN0181ANVNANN-*N*03 -> TN0181ANVNANN-AN00) Changes the manufacturer name.
3.0	18.06.2020	1	Adds Board Code. (RTK70E015DB00000BJ)

Renesas Electronics Corporation		
Title MIP-LCD Expansion Board [Revision History]		
Size	Document Number R20UT4564EJ0300	Rev 3.00
Date:	Thursday, June 18, 2020	Sheet X of X