

Data Flash Access Library

Type T01, European Release

16 Bit Single-chip Microcontroller
RL78 Series

Installer: RENESAS_RL78_EEL-FDL_T01_PACK01_xVxx

All information contained in these materials, including products and product specifications, represents information on the product at the time of publication and is subject to change by Renesas Electronics Corp. without notice. Please review the latest information published by Renesas Electronics Corp. through various means, including the Renesas Technology Corp. website (<http://www.renesas.com>).

Notice

1. Descriptions of circuits, software and other related information in this document are provided only to illustrate the operation of semiconductor products and application examples. You are fully responsible for the incorporation or any other use of the circuits, software, and information in the design of your product or system. Renesas Electronics disclaims any and all liability for any losses and damages incurred by you or third parties arising from the use of these circuits, software, or information.
2. Renesas Electronics hereby expressly disclaims any warranties against and liability for infringement or any other claims involving patents, copyrights, or other intellectual property rights of third parties, by or arising from the use of Renesas Electronics products or technical information described in this document, including but not limited to, the product data, drawings, charts, programs, algorithms, and application examples.
3. No license, express, implied or otherwise, is granted hereby under any patents, copyrights or other intellectual property rights of Renesas Electronics or others.
4. You shall not alter, modify, copy, or reverse engineer any Renesas Electronics product, whether in whole or in part. Renesas Electronics disclaims any and all liability for any losses or damages incurred by you or third parties arising from such alteration, modification, copying or reverse engineering.
5. Renesas Electronics products are classified according to the following two quality grades: "Standard" and "High Quality". The intended applications for each Renesas Electronics product depends on the product's quality grade, as indicated below.
"Standard": Computers; office equipment; communications equipment; test and measurement equipment; audio and visual equipment; home electronic appliances; machine tools; personal electronic equipment; industrial robots; etc.
"High Quality": Transportation equipment (automobiles, trains, ships, etc.); traffic control (traffic lights); large-scale communication equipment; key financial terminal systems; safety control equipment; etc.
Unless expressly designated as a high reliability product or a product for harsh environments in a Renesas Electronics data sheet or other Renesas Electronics document, Renesas Electronics products are not intended or authorized for use in products or systems that may pose a direct threat to human life or bodily injury (artificial life support devices or systems; surgical implantations; etc.), or may cause serious property damage (space system; undersea repeaters; nuclear power control systems; aircraft control systems; key plant systems; military equipment; etc.). Renesas Electronics disclaims any and all liability for any damages or losses incurred by you or any third parties arising from the use of any Renesas Electronics product that is inconsistent with any Renesas Electronics data sheet, user's manual or other Renesas Electronics document.
6. When using Renesas Electronics products, refer to the latest product information (data sheets, user's manuals, application notes, "General Notes for Handling and Using Semiconductor Devices" in the reliability handbook, etc.), and ensure that usage conditions are within the ranges specified by Renesas Electronics with respect to maximum ratings, operating power supply voltage range, heat dissipation characteristics, installation, etc. Renesas Electronics disclaims any and all liability for any malfunctions, failure or accident arising out of the use of Renesas Electronics products outside of such specified ranges.
7. Although Renesas Electronics endeavors to improve the quality and reliability of Renesas Electronics products, semiconductor products have specific characteristics, such as the occurrence of failure at a certain rate and malfunctions under certain use conditions. Unless designated as a high reliability product or a product for harsh environments in a Renesas Electronics data sheet or other Renesas Electronics document, Renesas Electronics products are not subject to radiation resistance design. You are responsible for implementing safety measures to guard against the possibility of bodily injury, injury or damage caused by fire, and/or danger to the public in the event of a failure or malfunction of Renesas Electronics products, such as safety design for hardware and software, including but not limited to redundancy, fire control and malfunction prevention, appropriate treatment for aging degradation or any other appropriate measures. Because the evaluation of microcomputer software alone is very difficult and impractical, you are responsible for evaluating the safety of the final products or systems manufactured by you.
8. Please contact a Renesas Electronics sales office for details as to environmental matters such as the environmental compatibility of each Renesas Electronics product. You are responsible for carefully and sufficiently investigating applicable laws and regulations that regulate the inclusion or use of controlled substances, including without limitation, the EU RoHS Directive, and using Renesas Electronics products in compliance with all these applicable laws and regulations. Renesas Electronics disclaims any and all liability for damages or losses occurring as a result of your noncompliance with applicable laws and regulations.
9. Renesas Electronics products and technologies shall not be used for or incorporated into any products or systems whose manufacture, use, or sale is prohibited under any applicable domestic or foreign laws or regulations. You shall comply with any applicable export control laws and regulations promulgated and administered by the governments of any countries asserting jurisdiction over the parties or transactions.
10. It is the responsibility of the buyer or distributor of Renesas Electronics products, or any other party who distributes, disposes of, or otherwise sells or transfers the product to a third party, to notify such third party in advance of the contents and conditions set forth in this document.
11. This document shall not be reprinted, reproduced or duplicated in any form, in whole or in part, without prior written consent of Renesas Electronics.
12. Please contact a Renesas Electronics sales office if you have any questions regarding the information contained in this document or Renesas Electronics products.

(Note 1) "Renesas Electronics" as used in this document means Renesas Electronics Corporation and also includes its directly or indirectly controlled subsidiaries.

(Note 2) "Renesas Electronics product(s)" means any product developed or manufactured by or for Renesas Electronics.

Table of Contents

| | | |
|-----------|--|----|
| Chapter 1 | Introduction | 5 |
| 1.1 | Components of the EEPROM Emulation System | 6 |
| 1.1.1 | Physical flash layer | 6 |
| 1.1.2 | Flash access layer | 6 |
| 1.1.3 | EEPROM access layer | 6 |
| 1.1.4 | Application layer..... | 6 |
| 1.2 | Naming Conventions..... | 7 |
| Chapter 2 | Architecture..... | 8 |
| 2.1 | Data Flash fragmentation..... | 8 |
| 2.1.1 | FDL pool | 9 |
| 2.1.2 | EEL pool | 9 |
| 2.1.3 | USER pool | 9 |
| 2.2 | Address virtualization..... | 10 |
| 2.3 | Access right supervision | 11 |
| 2.4 | Request-Response architecture | 12 |
| 2.5 | Background operation | 13 |
| 2.5.1 | Background operation (Erase)..... | 13 |
| 2.5.2 | Background operation (write)..... | 14 |
| 2.5.3 | Background operation (blank-check/verify) | 15 |
| 2.5.4 | No background operation for read command..... | 15 |
| 2.6 | Suspension of block oriented commands (erase)..... | 16 |
| Chapter 3 | User interface (API) | 17 |
| 3.1 | Run-time configuration | 17 |
| 3.2 | Data types | 18 |
| 3.2.1 | Library specific simple type definitions | 18 |
| 3.2.2 | Enumeration type "fal_command_t" | 18 |
| 3.2.3 | Enumeration type " fal_status_t"..... | 19 |
| 3.2.4 | Structured type "fal_request_t" | 19 |
| 3.2.5 | Structured type "fal_descriptor_t" | 20 |
| 3.3 | Functions..... | 22 |
| 3.3.1 | Basic functional workflow..... | 22 |
| 3.3.2 | Interface functions | 22 |
| Chapter 4 | Operation | 33 |
| 4.1 | Blank-check..... | 33 |
| 4.2 | Internal verify..... | 34 |
| 4.3 | Read..... | 35 |
| 4.4 | Write..... | 35 |
| 4.5 | Erase..... | 37 |

| | | |
|-----------|--|----|
| Chapter 5 | FDL usage by user application | 38 |
| 5.1 | First steps..... | 38 |
| 5.2 | Special considerations | 38 |
| 5.2.1 | Reset consistency..... | 38 |
| 5.2.2 | EEL+FDL or FDL only..... | 38 |
| 5.3 | File structure | 39 |
| 5.3.1 | Library for IAR V1.xx Compiler | 39 |
| 5.3.2 | Library for IAR V2.xx Compiler | 39 |
| 5.3.3 | Library for CA78K0R Compiler | 40 |
| 5.4 | Configuration..... | 41 |
| 5.4.1 | Linker sections | 41 |
| 5.4.2 | Descriptor configuration (partitioning of the data flash)..... | 41 |
| 5.4.3 | Request structure | 42 |
| 5.5 | General flow | 42 |
| 5.5.1 | General flow: Initialization..... | 42 |
| 5.5.2 | General flow: commands except read | 43 |
| 5.5.3 | General flow: read command..... | 44 |
| 5.6 | Example of FDL used in operating-systems | 45 |
| 5.7 | Example: Simple application..... | 46 |
| 5.8 | Example: Read/Write during background erase | 47 |
| Chapter 6 | Characteristics | 49 |
| 6.1 | Resource consumption | 49 |
| 6.2 | Timings..... | 49 |
| 6.2.1 | Maximum Function Execution Times..... | 49 |
| 6.2.2 | Command execution times | 50 |
| Chapter 7 | Cautions..... | 51 |

Chapter 1 Introduction

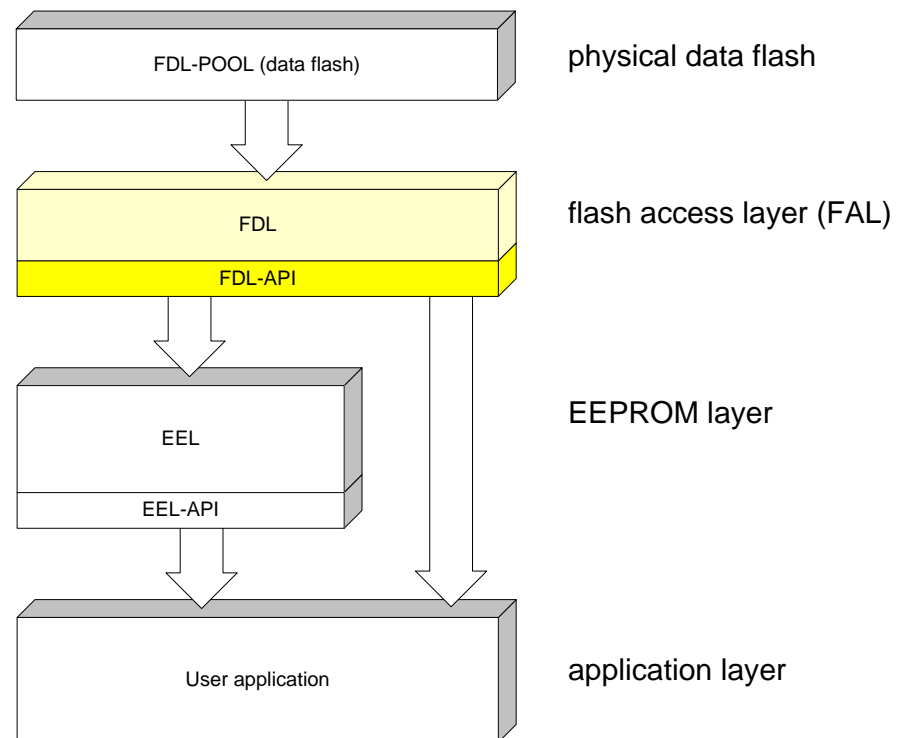
This user's manual describes the overall structure, functionality and software interfaces (API) of the Data Flash Library (FDL) accessing the physical Data Flash separated and independent from the Code Flash. This library supports dual operation mode where the content of the Data Flash is accessible (read, write, erase) during instruction code execution.

The Data Flash Library Type01 provides APIs for the C and assembly language of the CA78K0R, IAR V1.xx and IAR V2.xx tool chains. (APIs for the assembly language are provided by the CA78K0R tool chain only.)

The Data Flash Library Type01 for IAR V2.xx tool chain (except linker sample file) can also be used with the IAR V3.xx and IAR V4.xx tool chains.

The FAL (flash access layer) is a layer of EEPROM emulation system and encapsulates the low-level access to the physically flash in secure way. In case of Data Flash this layer is using the FDL. It provides a functional socket for Renesas EEPROM emulation software, but beside this it offers also direct access to the user at which the access priority and access separation is fully controlled by the library.

Figure 1-1 Components of the EEPROM emulation system



To boost the flexibility and the real-time characteristics of the library it offers only fast atomic functionality to read, write and erase the Data Flash memory at smallest possible granularity. Beside the pure access commands some maintenance functionality to check the quality of the flash content is also provided by the library

1.1 Components of the EEPROM Emulation System

To achieve a high degree of encapsulation the EEPROM emulation system is divided into several layers with narrow functional interfaces.

1.1.1 Physical flash layer

The FDL is accessing the Data Flash as a physical media for storing data in the EEPROM emulation system. The Data Flash is a separate memory that can be accessed independent of the Code Flash memory. This allows background access to data stored in the Data Flash during program execution located in the code flash. The physical Data Flash is mapped by the FDL into a virtual pool called FDL-Pool below.

1.1.2 Flash access layer

The Data Flash access layer is represented by the flash access library provided by Renesas. In case of devices incorporating data-flash the FDL is representing this layer. It offers all atomic functionality to access the FDL pool. To isolate the data-flash access from the used flash-media this layer (the FDL) is transforming thy physical addresses into a virtual, linear address-room.

1.1.3 EEPROM access layer

The EEPROM layer allows read/write access to the Data Flash at abstract level. It is represented by Renesas EEL or alternatively any other, user specific implementation.

1.1.4 Application layer

The application layer is user's application software that can use freely all visible (specified by the API definition) commandos of upper layers. The EEPROM layer and the flash access layer can be used asynchronously. The FDL manages the access rights to it in a proper way.

1.2 Naming Conventions

Certain terms, required for the description of the Data Flash Access and EEPROM emulation library are long and too complicated for good readability of the document. Therefore, special names and abbreviations will be used in the course of this document to improve the readability.

These abbreviations shall be explained here:

| Abbreviations / Acronyms | Description |
|--------------------------|--|
| Block | Smallest erasable unit of a flash macro |
| Code Flash | Embedded Flash where the application code is stored. For devices without Data Flash EEPROM emulation might be implemented on that flash in the so called data area. |
| Data Flash | Embedded Flash where mainly the data of the EEPROM emulation are stored. Beside that also code operation might be possible. |
| Dual Operation | Dual operation is the capability to fetch code during reprogramming of the flash memory. Current limitation is that dual operation is only available between different flash macros. Within the same flash macro it is not possible! |
| EEL | EEPROM Emulation Library |
| EEPROM emulation | In distinction to a real EEPROM the EEPROM emulation uses some portion of the flash memory to emulate the EEPROM behavior. To gain a similar behavior some side parameters have to be taken in account. |
| FAL | Flash Access Library (Flash access layer) |
| FCL | Code Flash Library (Code Flash access layer) |
| FDL | Data Flash Library (Data Flash access layer) |
| Flash | "Flash EPROM" - Electrically erasable and programmable nonvolatile memory. The difference to ROM is, that this type of memory can be re-programmed several times. |
| Flash Block | A flash block is the smallest erasable unit of the flash memory. |
| Flash Macro | A flash comprises of the cell array, the sense amplifier and the charge pump (CP). For address decoding and access some additional logic is needed. |
| NVM | Non volatile memory. All memories that hold the value, even when the power is cut off. E.g. Flash memory, EEPROM, MRAM... |
| RAM | "Random access memory" - volatile memory with random access |
| ROM | "Read only memory" - nonvolatile memory. The content of that memory can not be changed. |
| Serial programming | The onboard programming mode is used to program the device with an external programmer tool. |
| Single Voltage | For the reprogramming of single voltage flashes the voltage needed for erasing and programming are generated onboard of the microcontroller. No external voltage needed like for dual- voltage flash types. |

Chapter 2 Architecture

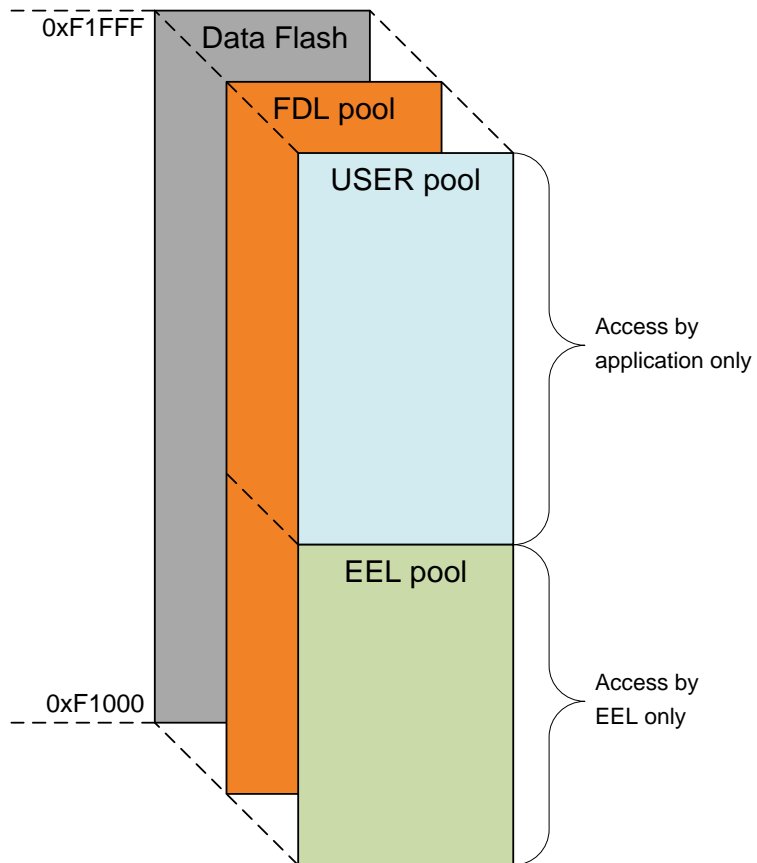
This chapter describes the overall architecture of the FDL library.

2.1 Data Flash fragmentation

The physical Data Flash location is fixed to a physical address assigned by the hardware (e.g. for RL78/G13: 0xF1000 – 0xF1FFF). Just the logical fragmentation of the Data Flash can be configured within the given range.

Following figure shows the logical fragmentation of physical Data Flash.

Figure 2-1 Logical fragmentation of physical Data Flash



2.1.1 FDL pool

The FDL pool defines the maximum usage of physical Data Flash used by the FDL. In case of physical Data Flash size of 16KByte it is possible to define the following sizes for FDL pool configuration: 2KByte, 4KByte, 6KByte, 8KByte, 10KByte, 12KByte, 14KByte, 16KByte. This pool is divided into the EEL and USER pool which are described below.

2.1.2 EEL pool

EEL pool is a part of the FDL pool and is assigned exclusively to Renesas EEPROM Emulation Library (EEL) only. In case the EEL is not used the whole FDL pool will be reserved for USER pool.

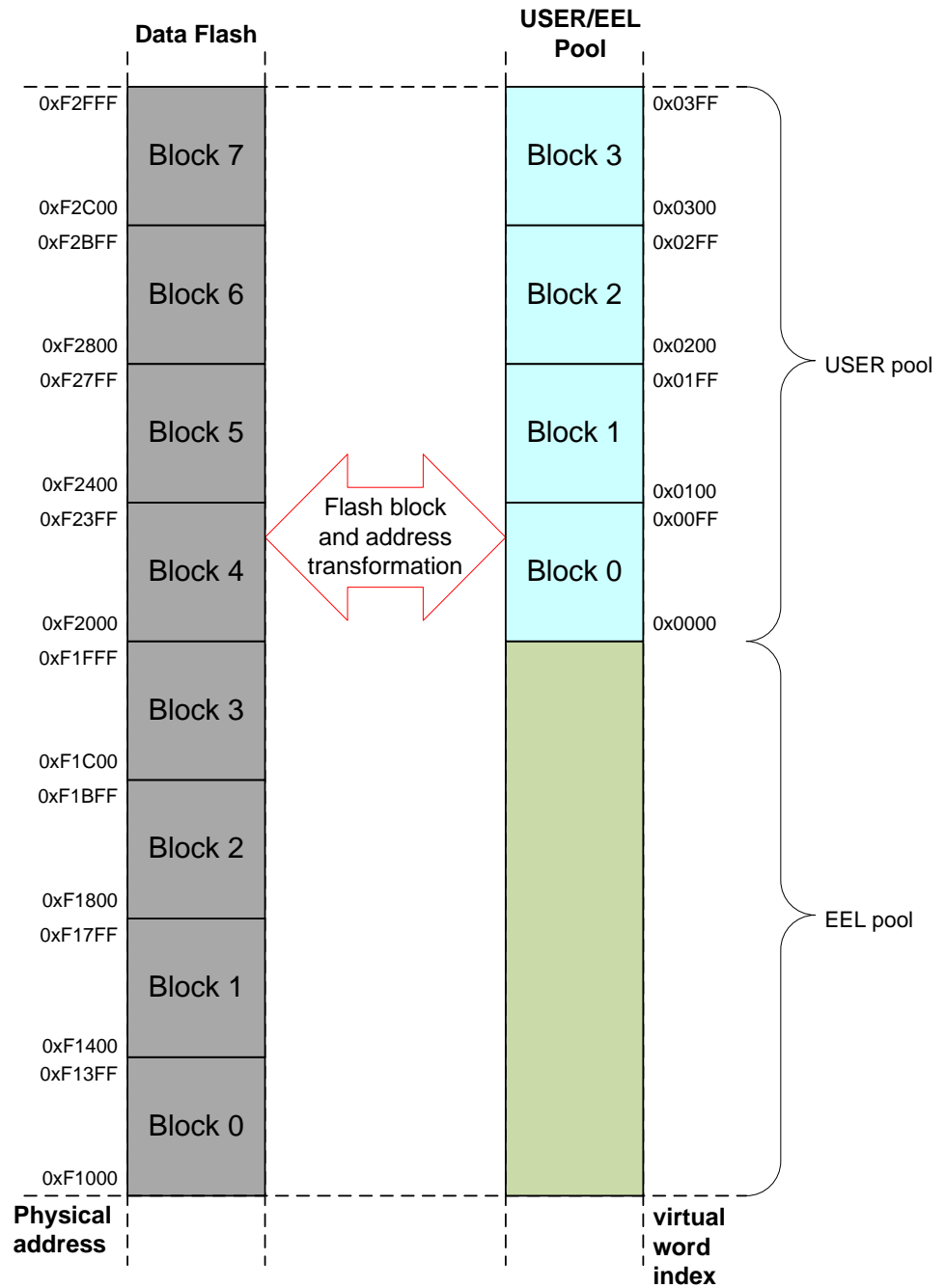
2.1.3 USER pool

The USER pool is a part of the FDL pool. It can be used exclusively by the application in a free way. In case of proprietary EEPROM emulation implementation (user specific) the completely FDL pool has to be configured as USER-pool.

2.2 Address virtualization

To facilitate the access to the USER pool the physical addresses were virtualized. The virtualized pool looks like a simple one-dimensional array of flash-words (4 bytes).

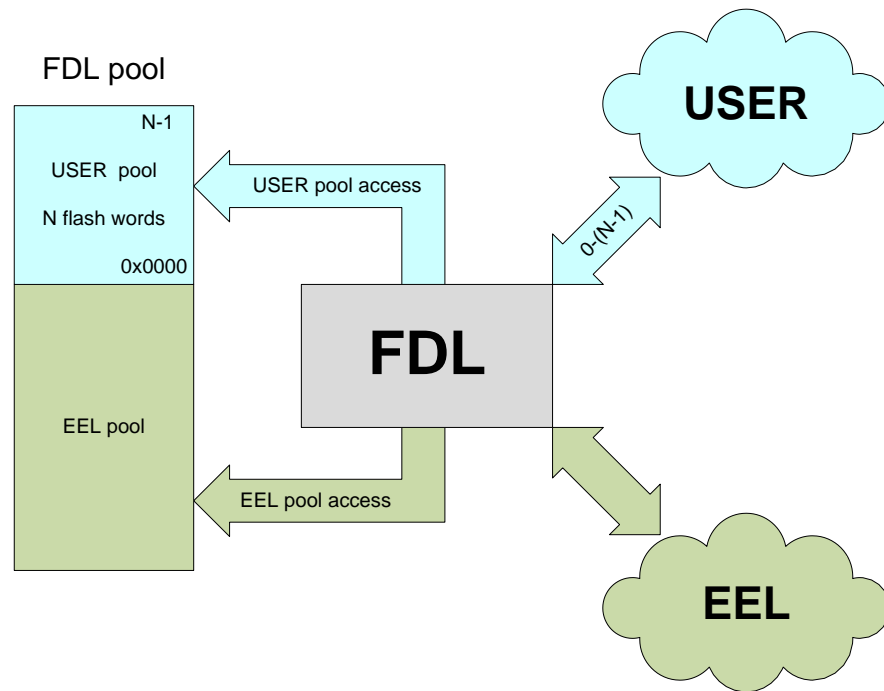
Figure 2-2 Relationship between physical and virtual pool addresses



2.3 Access right supervision

As mentioned before the complete FDL pool is divided into two parts shared between user and the EEL. The construction of the FDL does not allow user access to the EEL-pool and vice versa.

Figure 2-3 FDL pool access supervision



2.4 Request-Response architecture

The communication between the requester (user) and the executor (here the FDL) is a common structured request variable. The requester can specify the request and pass it to the FDL. After acceptance the progress of the execution can be checked by polling the request status.

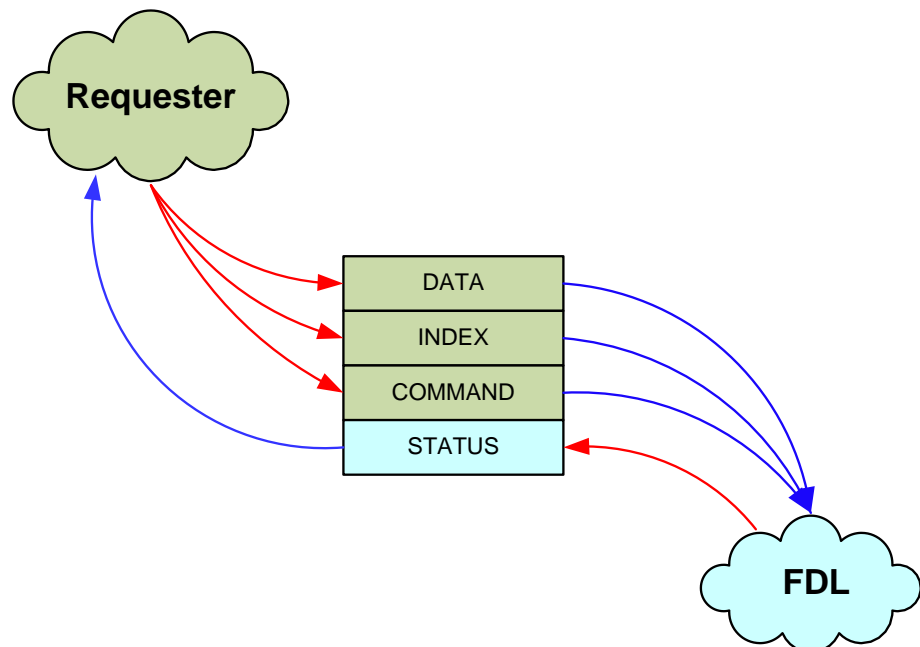
From execution-time point of view the commands of the FDL are divided into two groups:

- suspendable block-oriented command like block erase taking relatively long time for its execution
- not-suspendable word-oriented commands like write, read ... taking very short time for its execution

Depending on the real-time requirements the user can decide if independent, quasi-parallel execution of block and word commands is required or not. In such a case two separate request-variables have to be defined and managed by the application. Please refer to chapter "Operation" for details.

Following figure shows the access from requester and FDL point of view.

Figure 2-4 Request oriented communication between FDL and its requester



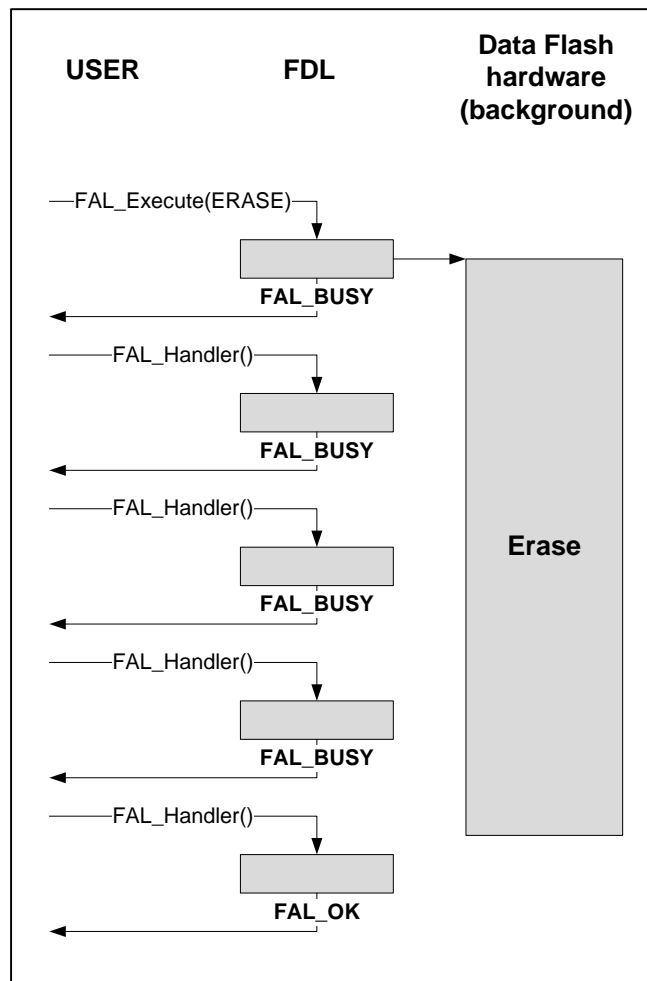
2.5 Background operation

Due to the fact that the Data Flash operates in the background it is possible to do something else in the meantime. For example the application could prepare next data for writing into the Data Flash or handle different ISRs. Background operation is a powerful feature especially in operation systems where each task could start FAL commands which will be executed in the background during task switching.

2.5.1 Background operation (Erase)

The erase command is from timing point of view the longest command. As shown in the figure below, the application has the possibility to execute other user code during the background operation.

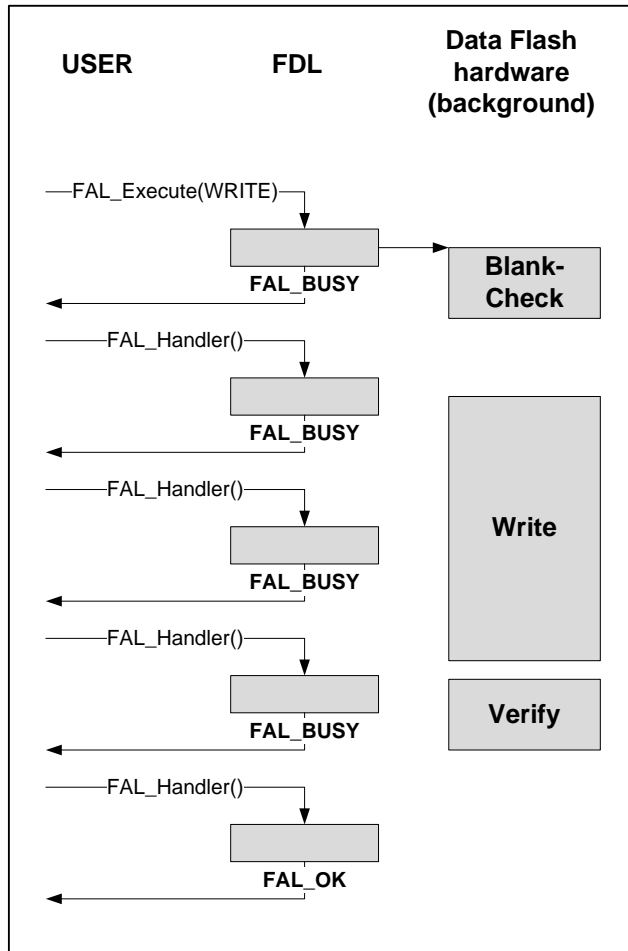
Figure 2-5 Background operation (Erase)



2.5.2 Background operation (write)

During the running write command blank-check/write/verify will be performed in background. As shown in the figure below, the application has the possibility to execute other user code during the background operation.

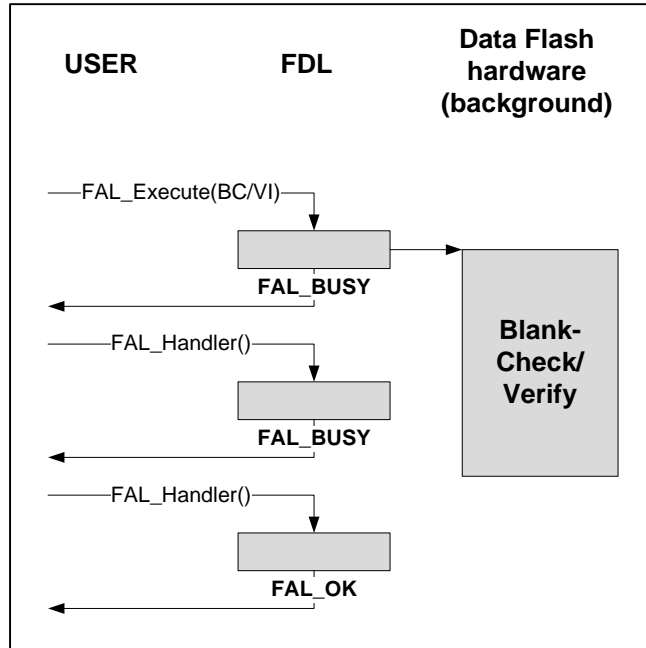
Figure 2-6 Background operation (write)



2.5.3 Background operation (blank-check/verify)

Same procedure as for erase the verify or blank-check will be performed in background.

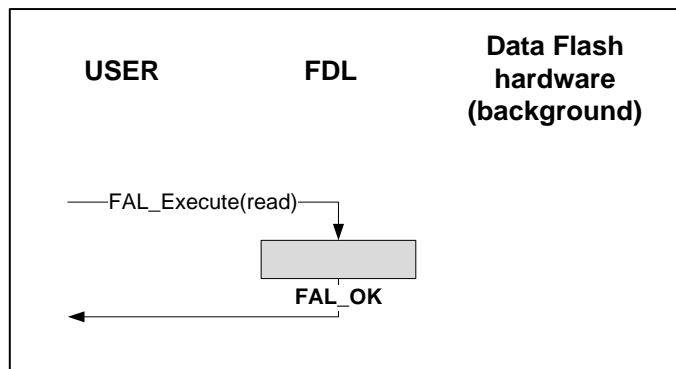
Figure 2-7 Background operation (blank-check/verify)



2.5.4 No background operation for read command

The read command doesn't use the background operation. It's directly finished after the request acceptance.

Figure 2-8 No background operation for read command



2.6 Suspension of block oriented commands (erase)

In cases of systems working under critical real-time conditions, immediately read/write access to the data is a must. In such cases, separate request variables must be defined for word command accesses and block command accesses. Both types of access are managed separately on FDL and requester side.

The suspension and resumption of the running block command (erase) is managed automatically according to the following rules

- word commands cannot be suspended
- each block command can be suspended by any word command
- User requested block command does always suspend running block commands of the EEL
- EEL requested block commands cannot suspend running user block command

In other words:

- word commands have always higher priority than block commands
- user access have always higher priority than EEL (running in background)

The following table shows dependencies between running and requested commands of EEL or user.

Table 2-1 Block command suspension rules

| command acceptance | | running command | | | |
|--------------------|-------------|-----------------|-------------|-------------------------------|-------------------------------|
| | | WCMD (eel) | WCMD (user) | BCMD (eel) | BCMD (user) |
| requested command | WCMD (eel) | rejected | rejected | suspend/resume ^{***} | suspend/resume |
| | WCMD (user) | rejected | rejected | suspend/resume | suspend/resume ^{***} |
| | BCMD (eel) | rejected | rejected | rejected | rejected |
| | BCMD (user) | rejected | rejected | suspend/resume | rejected |

Agenda:

WCMD = word command

BCMD = block command,

rejected = requested command is rejected

suspend = running block command is suspended

^{***} when the address of the WCMD refers to the block addressed by BCMD the WCMD will be rejected too.

Chapter 3 User interface (API)

3.1 Run-time configuration

During runtime the configuration of the FDL can be changed dynamically. To be able to do it more than one descriptor constant has to be defined by the user in advance. Depends on the application mode different descriptors can be chosen for the FAL_Init(...) function.

```
/* ..... */
/* some code */
/* ..... */

/* load standard descriptor */
my_status=FAL_Init(&fal_descriptor_str);

/* ..... */
/* some code */
/* ..... */

FAL_Close();           /* close USER part of the FAL pool */
EEL_Close();           /* close EEL part of the FAL pool */
                        /* - but only if necessary, means */
                        /* if EEL used in system */

/* load alternative descriptor */
my_status=FAL_Init(&fal_descr_2_str);

/* ..... */
/* some code */
/* ..... */
```

Note: Before changing FAL pool configuration by using of different FAL pool-descriptor the user has to close the FAL (USER part of the pool) in any case. In case that the EEL is active in the system, the EEL part of the FAL-pool has to be closed by using EEL_Close() too.

3.2 Data types

This chapter describes all data definitions used by the FDL.

3.2.1 Library specific simple type definitions

This type defines simple numerical type used by the library

```
typedef unsigned char      fal_u08;
typedef unsigned int      fal_u16;
typedef unsigned long int fal_u32;
```

3.2.2 Enumeration type “fal_command_t”

This type defines all codes of available commands

```
typedef enum {
    FAL_CMD_UNDEFINED           = (0x00),
    FAL_CMD_BLANKCHECK_WORD    = (0x00 | 0x01),
    FAL_CMD_IVERIFY_WORD       = (0x00 | 0x02),
    FAL_CMD_READ_WORD          = (0x00 | 0x03),
    FAL_CMD_WRITE_WORD         = (0x00 | 0x04),
    FAL_CMD_ERASE_BLOCK        = (0x00 | 0x05),
} fal_command_t;
```

Code value description:

| | |
|-------------------------|------------------------------------|
| FAL_CMD_UNDEFINED | - default value |
| FAL_CMD_BLANKCHECK_WORD | - blank-check of 1 Data Flash word |
| FAL_CMD_IVERIFY_WORD | - verify of 1 Data Flash word |
| FAL_CMD_READ_WORD | - read 1 Data Flash word |
| FAL_CMD_WRITE_WORD | - write 1 Data Flash word |
| FAL_CMD_ERASE_BLOCK | - erases 1 Data Flash block |

3.2.3 Enumeration type “fal_status_t”

This enumeration type defines all possible status- and error-codes can be generated during data-flash access via the FDL. The FAL_OK and FAL_BUSY status are returned to the requester during normal operation. Other codes signalize problems.

```
typedef enum {
    /* operation related status -----*/
    FAL_OK                = (0x00),
    FAL_BUSY              = (0x00 | 0x01),

    /* run-time error related status -----*/
    FAL_ERR_PROTECTION    = (0x10 | 0x00),
    FAL_ERR_BLANKCHECK    = (0x10 | 0x01),
    FAL_ERR_VERIFY        = (0x10 | 0x02),
    FAL_ERR_WRITE         = (0x10 | 0x03),
    FAL_ERR_ERASE         = (0x10 | 0x04),

    /* configuration error related status ----*/
    FAL_ERR_PARAMETER     = (0x20 | 0x00),
    FAL_ERR_CONFIGURATION = (0x20 | 0x01),
    FAL_ERR_INITIALIZATION = (0x20 | 0x02),
    FAL_ERR_COMMAND       = (0x20 | 0x03),
    FAL_ERR_REJECTED      = (0x20 | 0x04)
} fal_status_t;
```

| Status value | Description |
|------------------------|--|
| FAL_OK | default value, ready, no error detected |
| FAL_BUSY | request is accepted and is being processed |
| FAL_ERR_PROTECTION | access outside permitted pool area |
| FAL_ERR_BLANKCHECK | specified flash-word is not blank |
| FAL_ERR_VERIFY | specified flash-word could not be verified |
| FAL_ERR_WRITE | write is failed |
| FAL_ERR_ERASE | block erase is failed |
| FAL_ERR_PARAMETER | not relevant for the FDL (defined for future improvements) |
| FAL_ERR_CONFIGURATION | Wrong values configured in descriptor |
| FAL_ERR_INITIALIZATION | FDL not initialized or not opened |
| FAL_ERR_COMMAND | wrong command code used |
| FAL_ERR_REJECTED | when FDL busy with another request |

3.2.4 Structured type “fal_request_t”

This type is used for definition of request variables and used for information exchange between the application and the FDL. A request variable is passed to the FDL to initiate a command and can be used by the requester (EEL, application...) to check the status of its execution.

```
/* FAL request type (base type for any FAL access) */
typedef struct {
    fal_u32          data_u32;
    fal_u16          index_u16;
    fal_command_t   command_enu;
    fal_status_t    status_enu;
} fal_request_t;
```

| Struct member | Description |
|---------------|--|
| data_u32 | 32-bit buffer for data exchange during read/write access |
| index_u16 | virtual word index within the targeted pool |
| command_enu | command code |
| status_enu | request status code (feedback) |

3.2.5 Structured type “fal_descriptor_t”

This type defines the structure of the FDL descriptor. It contains all characteristics of the FDL. It is used in the `fdl_descriptor.c` file for definition of the ROM constant `fal_descriptor_str`.

Based on configuration data inside the `fdl_descriptor.h` the initialization data of descriptor constant is generated automatically in the `fdl_descriptor.c`.

```

/* FAL descriptor type */
typedef struct {
    fal_u32    fal_pool_first_addr_u32;
    fal_u32    eel_pool_first_addr_u32;
    fal_u32    user_pool_first_addr_u32;
    fal_u32    fal_pool_last_addr_u32;
    fal_u32    eel_pool_last_addr_u32;
    fal_u32    user_pool_last_addr_u32;
    fal_u16    fal_pool_first_block_u16;
    fal_u16    eel_pool_first_block_u16;
    fal_u16    user_pool_first_block_u16;
    fal_u16    fal_pool_last_block_u16;
    fal_u16    eel_pool_last_block_u16;
    fal_u16    user_pool_last_block_u16;
    fal_u16    fal_first_widx_u16;
    fal_u16    eel_first_widx_u16;
    fal_u16    user_first_widx_u16;
    fal_u16    fal_last_widx_u16;
    fal_u16    eel_last_widx_u16;
    fal_u16    user_last_widx_u16;
    fal_u16    fal_pool_wsize_u16;
    fal_u16    eel_pool_wsize_u16;
    fal_u16    user_pool_wsize_u16;
    fal_u16    block_size_u16;
    fal_u16    block_wsize_u16;
    fal_u08    fal_pool_size_u08;
    fal_u08    eel_pool_size_u08;
    fal_u08    user_pool_size_u08;
    fal_u08    fx_MHz_u08;
    fal_u08    wide_voltage_mode_u08;
} fal_descriptor_t;

```

| Struct member | Description |
|---------------------------|--|
| fal_pool_first_addr_u32 | first physical address of the FAL pool |
| eel_pool_first_addr_u32 | first physical address of the EEL pool |
| user_pool_first_addr_u32 | first physical address of the USER pool |
| fal_pool_last_addr_u32 | last physical address of the FAL pool |
| eel_pool_last_addr_u32 | last physical address of the EEL pool |
| user_pool_last_addr_u32 | last physical address of the USER pool |
| fal_pool_first_block_u16 | first virtual block of the FAL pool |
| eel_pool_first_block_u16 | first virtual block of the EEL pool |
| user_pool_first_block_u16 | first virtual block of the USER pool |
| fal_pool_last_block_u16 | last virtual block of the FAL pool |
| eel_pool_last_block_u16 | last virtual block of the EEL pool |
| user_pool_last_block_u16 | last virtual block of the USER pool |
| fal_first_widx_u16 | first virtual word-index inside the FAL pool |
| eel_first_widx_u16 | first virtual word-index inside the EEL pool |
| user_first_widx_u16 | first virtual word-index inside the USER pool |
| fal_last_widx_u16 | last virtual word-index inside the FAL pool |
| eel_last_widx_u16 | last virtual word-index inside the EEL pool |
| user_last_widx_u16 | last virtual word-index inside the USER pool |
| fal_pool_wsize_u16 | size of the FAL pool expressed in words |
| eel_pool_wsize_u16 | size of the EEL pool expressed in words |
| user_pool_wsize_u16 | size of the USER pool expressed in words |
| block_size_u16 | size of one Data Flash block expressed in bytes |
| block_wsize_u16 | size of one Data Flash block expressed in words |
| fal_pool_size_u08 | size of the FAL pool expressed in blocks |
| eel_pool_size_u08 | size of the EEL pool expressed in blocks (Note 1, 2) |
| user_pool_size_u08 | size of the USER pool expressed in blocks (Note 1, 2) |
| fx_MHz_u08 | Frequency of user clock (Note 3) |
| wide_voltage_mode_u08 | selection of flash memory programming mode 0: full speed mode 1: wide voltage mode |

Note 1: the sum of eel_pool_size_u08 and user_pool_size_u08 must not exceed fal_pool_size_u08.

Note 2: both descriptor configuration conditions will be checked by FAL_Init(...)

Note 3: **User frequency (frequency >= 4MHz)**

Frequency must be rounded up as shown below:

descr.fsl_frequency_u08 = 20 for 20000000Hz

descr.fsl_frequency_u08 = 24 for 23100000Hz

User frequency (frequency < 4MHz)

In case the frequency is smaller than 4MHz the only supported physical frequencies are the following:

descr.fsl_frequency_u08 = 1 for 1000000Hz

descr.fsl_frequency_u08 = 2 for 2000000Hz

descr.fsl_frequency_u08 = 3 for 3000000Hz

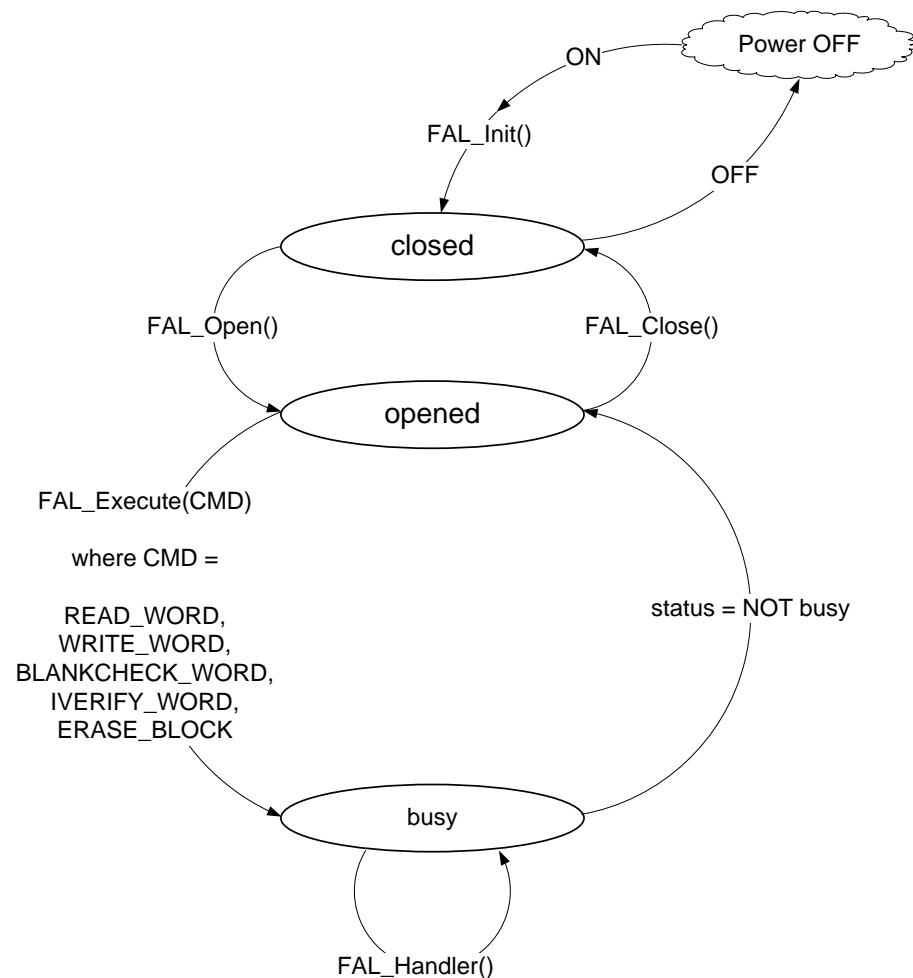
3.3 Functions

Due to the request oriented interface of the FDL the functional interface is very narrow. Beside the initialization function and some administrative function the whole flash access is concentrated to two functions only: FAL_Execute(...) and FAL_Handler().

3.3.1 Basic functional workflow

To be able to use the FDL (execute pool-related commands) in a proper way the requester has to follow a specific startup and shutdown procedure.

Figure 3-1 Basic workflow flow



3.3.2 Interface functions

The interface functions create the functional software interface of the library. They are prototyped in the header file fdl.h.

3.3.2.1 FAL_Init

Description

Initialization of all internal data.

C interface for CA78K0R compiler

```
fal_status_t __far FAL_Init(const __far fal_descriptor_t*
                             descriptor_pstr);
```

C interface for IAR V1.xx compiler

```
__far_func fal_status_t FAL_Init(const __far fal_descriptor_t
                                   __far* descriptor_pstr);
```

C interface for IAR V2.xx compiler

```
__far_func fal_status_t FAL_Init(const fal_descriptor_t
                                   __far * descriptor_pstr);
```

Pre-condition

Internal high-speed oscillator is running.

Post-condition

Initialization is done.

Argument

| Argument | Type | Description |
|-----------------|------------------|---|
| descriptor_pstr | fal_descriptor_t | Pointer to the descriptor (describing the FDL configuration). The virtualization of the data-flash address-room is done based on that descriptor. The user can use different descriptors to switch between different FDL-pool configurations. |

Return types/values

| Value | Type | Description |
|------------|--------------|---|
| fal_status | fal_status_t | FAL_ERR_CONFIGURATION when descriptor data are not plausible. FAL_OK when descriptor correct and initialization successful. |

Usage

```
fal_status_t my_status;

my_status = FAL_Init(&fal_descriptor_str);

if(my_status == FAL_OK)
{
    /* FDL can be used /
}
else
{
    / error handler */
}
```


3.3.2.2 FAL_Open

Description

This function must be used by the application to activate the data-flash. It turns on the data flash clock if necessary.

Please note that this function includes the necessary delay for the data flash clock setup. The data flash is operational and can be used right after function exit.

C interface for CA78K0R compiler

```
void __far FAL_Open(void);
```

C interface for IAR V1.xx compiler

```
__far_func void FAL_Open(void);
```

C interface for IAR V2.xx compiler

```
__far_func void FAL_Open(void);
```

Pre-condition

FAL_Open() does not check any precondition, but FAL_Init(...) has to be executed successfully already.

Post-condition

Data flash clock is switched on.

Argument

| Argument | Type | Description |
|----------|------|-------------|
| None | | |

Return types/values

| Value | Type | Description |
|-------|------|-------------|
| None | | |

Usage

```
FAL_Open();
```

3.3.2.3 FAL_Close

Description

This function deactivates the data flash.

C interface for CA78K0R compiler

```
void __far FAL_Close(void);
```

C interface for IAR V1.xx compiler

```
__far_func void FAL_Close(void);
```

C interface for IAR V2.xx compiler

```
__far_func void FAL_Close(void);
```

Pre-condition

None

Post-condition

Data flash clock is switched off. In case of FAL and EEL usage both FAL_Close and EEL_Close must be called for switching off the Data Flash.

Argument

| Argument | Type | Description |
|----------|------|-------------|
| None | | |

Return types/values

| Value | Type | Description |
|-------|------|-------------|
| None | | |

Usage

```
FAL_Close();
```

3.3.2.4 FAL_Execute

Description

This is the main function of the FDL the application can use to initiate execution of any command. Please refer to the chapter “Operation” for detailed explanation of each command.

C interface for CA78K0R compiler

```
void __far FAL_Execute(__near fal_request_t* request_pstr);
```

C interface for IAR V1.xx compiler

```
__far_func void FAL_Execute(__near fal_request_t __near*  
                           request_pstr);
```

C interface for IAR V2.xx compiler

```
__far_func void FAL_Execute(fal_request_t __near *  
                           request_pstr);
```

Pre-condition

FAL_Init() executed successfully with status FAL_OK.
FAL_Open() executed already.

Post-condition

None

Argument

| Argument | Type | Description |
|--------------|---------------|--|
| request_pstr | fal_request_t | This argument defines the command which should be executed by FDL. It is a request variable which is used for bi-directional information exchange before and during execution between FDL and the application. |

Return types/values

| Value | Type | Description |
|-------|------|-------------|
| None | | |

Usage

```
__near fal_request_t      my_fal_WCMD_request_str;

my_fal_WCMD_request.data_u32 = 0x12345678;
my_fal_WCMD_request.index_u16 = 0x0123;
my_fal_WCMD_request.command_enu = FAL_CMD_WRITE_WORD;

/* command initiation */
do {
    FAL_Execute(&my_fal_WCMD_request);
    FAL_Handler(); /* proceed background process */
} while (my_fal_WCMD_request.status_enu == FAL_ERR_REJECTED);

/* command execution */
do {
    FAL_Handler();
} while (my_fal_WCMD_request.status_enu == FAL_BUSY);
if(my_fal_WCMD_request.status_enu != FAL_OK) error_handler();
```

3.3.2.5 FAL_Handler

Description

This function is used by the application to proceed the execution of a command running in the background. In case of the FDL the functionality of the Handler is reduce to simple status polling of the running background command. In case any background command was suspended in the past, the FAL_Handler takes care for the resume-process.

C interface for CA78K0R compiler

```
void __far FAL_Handler(void);
```

C interface for IAR V1.xx compiler

```
__far_func void FAL_Handler(void);
```

C interface for IAR V2.xx compiler

```
__far_func void FAL_Handler(void);
```

Pre-condition

FAL_Init() executed successfully with status FAL_OK.

FAL_Open() executed already.

Post-condition

In case of finished command the status is written to the request structure.

Argument

| Argument | Type | Description |
|----------|------|-------------|
| None | | |

Return types/values

| Value | Type | Description |
|-------|------|-------------|
| None | | |

Usage

```
/* infinite scheduler loop */
do {
    /* proceed potential command execution */
    FAL_Handler();

    /* 20ms time slize (potential FAL requester) */
    MyTask_A(20);

    /* 10ms time slize (potential FAL requester) */
    MyTask_B(10);

    /* 40ms time slize (potential FAL requester) */
    MyTask_C(40);

    /* 10ms time slize (potential FAL requester) */
    MyTask_D(10);
} while (true);
```

3.3.2.6 FAL_GetVersionString

Description

This function provides the internal version information of the used library.

C interface for CA78K0R compiler

```
__far fal_u08* __far FAL_GetVersionString(void);
```

C interface for IAR V1.xx compiler

```
__far_func fal_u08 __far* FAL_GetVersionString(void);
```

C interface for IAR V2.xx compiler

```
__far_func fal_u08 __far * FAL_GetVersionString(void);
```

Pre-condition

None

Post-condition

None

Argument

| Argument | Type | Description |
|----------|------|-------------|
| None | | |

Return types/values

| Value | Type | Description |
|-------|----------------|---|
| | fal_u08 __far* | Pointer to the first character of a zero terminated version string. |

Usage (CA78K0R compiler)

```
__far const fal_u08 *my_version_string;
my_version_string = FAL_GetVersionString();
```

Usage (IAR V1.xx and V2.xx compiler)

```
fal_u08 __far* my_version_string;
my_version_string = FAL_GetVersionString();
```

Description of the version string

For version control at runtime the developer can use this function to find the starting character of the library version string (ASCII format).

The version string is a zero-terminated string constant that covers library-specific information and is based on the following structure: NMMMMTTTCCCCGVVV..V, where:

- N : library type specifier (here 'D' for FDL)
- MMMM : series name of microcontroller (here 'RL78')
- TTT : type number (here 'T01')
- CCCCC : compiler information (4 or 5 characters)
 - 'Rxyy' for CA78K0R compiler
 - 'lxyy' for IAR V1.xx compiler
 - 'Lxyyz' for IAR V2.xx compiler
- G : all memory models (here 'G' for general)
- VVV..V : library version
 - 'Vxyy' for release version x.yy
 - 'Exyyy' for engineering version x.yyy

Examples:

The version string of the FDL V1.12 for the CA78K0R compiler is:
"DRL78T01R110GV112"

The version string of the FDL V1.12 for the IAR V1.xx compiler is:
"DRL78T01I120GV112"

The version string of the FDL V1.12 for the IAR V2.xx compiler is:
"DRL78T01L1000GV112"

Chapter 4 Operation

4.1 Blank-check

The blank-check operation can be used to check if all bits within the addressed pool-word are still "erased". The user can use blank-check command freely. The blank-check command is initiated by FAL_Execute() and must be continued by FAL_Handler() as long as command is not finished (request-status updated).

Table 4-1 Status of FAL_CMD_BLANKCHECK_WORD command

| Status | Class | Background and Handling | |
|------------------------|--------|-------------------------|---|
| FAL_ERR_INITIALIZATION | heavy | meaning | FDL not initialized or not opened |
| | | reason | wrong handling on user side |
| | | remedy | Initialize and open FDL before using it |
| FAL_ERR_PROTECTION | heavy | meaning | request cannot be accepted |
| | | reason | word index is outside the corresponding pool |
| | | remedy | set correct word index and try again |
| FAL_ERR_REJECTED | normal | meaning | FDL driver cannot accept the request |
| | | reason | FDL driver is busy with an other word command or block command (in case of same block). |
| | | remedy | Call FAL_Handler as long as request isn't accepted. |
| FAL_ERR_BLANKCHECK | normal | meaning | specified flash-word is not blank |
| | | reason | any bit in the flash word addressed by word index isn't erased |
| | | remedy | nothing, free interpretation at requester side |
| FAL_BUSY | normal | meaning | request is being processed |
| | | reason | request checked and accepted |
| | | remedy | nothing, call FAL_Handler until status changes |
| FAL_OK | normal | meaning | request was finished regular |
| | | reason | no problems during command execution happens |
| | | remedy | nothing |

4.2 Internal verify

The internal verify operation can be used to check if all bits (0's and 1's) are electronically correct written. Inconsistent and weak data caused by asynchronous RESET can be detected by using the verify command. The user can use verify freely to check the quality of user data. The verify command is initiated by FAL_Execute() and must be continued by FAL_Handler() as long as command is not finished (request-status updated).

Table 4-2 Status of FAL_CMD_IVERIFY_WORD command

| Status | Class | Background and Handling | |
|------------------------|--------|-------------------------|---|
| FAL_ERR_INITIALIZATION | heavy | meaning | FDL not initialized or not opened |
| | | reason | wrong handling on user side |
| | | remedy | Initialize and open FDL before using it |
| FAL_ERR_PROTECTION | heavy | meaning | request cannot be accepted |
| | | reason | word index is outside the corresponding pool |
| | | remedy | set correct word index and try again |
| FAL_ERR_REJECTED | normal | meaning | FDL driver cannot accept the request |
| | | reason | FDL driver is busy with an other word command or block command (in case of same block). |
| | | remedy | Call FAL_Handler as long as request isn't accepted. |
| FAL_ERR_VERIFY | normal | meaning | specified flash-word in pool could not be verified |
| | | reason | any bit in the addressed flash word isn't electrically correct |
| | | remedy | nothing, free interpretation at requester side |
| FAL_BUSY | normal | meaning | request is being processed |
| | | reason | request checked and accepted |
| | | remedy | nothing, call FAL_Handler until status changes |
| FAL_OK | normal | meaning | request was finished regular |
| | | reason | no problems during command execution happens |
| | | remedy | nothing |

4.3 Read

The read operation can be used to read the content of the addressed pool-word. It is initiated and finished directly by FAL_Execute(). FAL_Handler() is not needed in that case.

Table 4-3 Status of FAL_CMD_READ_WORD command

| Status | Class | Background and Handling | |
|------------------------|--------|-------------------------|---|
| FAL_ERR_INITIALIZATION | heavy | meaning | FDL not initialized or not opened |
| | | reason | wrong handling on user side |
| | | remedy | Initialize and open FDL before using it |
| FAL_ERR_PROTECTION | heavy | meaning | request cannot be accepted |
| | | reason | word index is outside the corresponding pool |
| | | remedy | set correct word index and try again |
| FAL_ERR_REJECTED | normal | meaning | FDL driver cannot accept the request |
| | | reason | FDL driver is busy with an other word command or block command (in case of same block). |
| | | remedy | Call FAL_Handler as long as request isn't accepted. |
| FAL_OK | normal | meaning | request was finished regular |
| | | reason | no problems during command execution happens |
| | | remedy | nothing |

4.4 Write

The write operation writes 32-bit data into passed word index. To protect existing flash data against accidental overwrite 1-word blank-check is executed in advance. After that the write-command is initiated. In case of successfully finished writing the quality of data will be checked via internal verify.

Table 4-4 Status of FAL_CMD_WRITE_WORD command

| Status | Class | Background and Handling | |
|------------------------|-------|-------------------------|---|
| FAL_ERR_INITIALIZATION | heavy | meaning | FDL not initialized or not opened |
| | | reason | wrong handling on user side |
| | | remedy | Initialize and open FDL before using it |

| | | | |
|--------------------|--------|---------|---|
| FAL_ERR_PROTECTION | heavy | meaning | request cannot be accepted |
| | | reason | word index is outside the corresponding pool |
| | | remedy | set correct word index and try again |
| FAL_ERR_REJECTED | normal | meaning | FDL driver cannot accept the request |
| | | reason | FDL driver is busy with an other word command or block command (in case of same block). |
| | | remedy | Call FAL_Handler as long as request isn't accepted. |
| FAL_ERR_BLANKCHECK | normal | meaning | specified flash-word in pool is not blank, write was not performed, the content of flash-word remains untouched |
| | | reason | overwriting of non-erased flash words is not allowed |
| | | remedy | erase the block before writing again into this block |
| FAL_ERR_WRITE | normal | meaning | flash word addressed by word index couldn't be written correctly after performing the max. number of retries |
| | | reason | flash problems |
| | | remedy | erase the block and try to write again into this block |
| FAL_ERR_VERIFY | normal | meaning | after writing the data the flash word could not be verified |
| | | reason | flash problems |
| | | remedy | erase the block and try to write again into this block |
| FAL_BUSY | normal | meaning | request is being processed |
| | | reason | request checked and accepted |
| | | remedy | nothing, call FAL_Handler until status changes |
| FAL_OK | normal | meaning | request was finished regular |
| | | reason | no problems during command execution happens |
| | | remedy | nothing |

4.5 Erase

The erase operation can be used to erase one block of the related pool. After starting the erase-command the hardware is checking if the addressed block is already blank to avoid unnecessary erase cycles. After that the erase-command is initiated.

Table 4-5 Status of FAL_CMD_ERASE_BLOCK command

| Status | Class | Background and Handling | |
|------------------------|--------|-------------------------|---|
| FAL_ERR_INITIALIZATION | heavy | meaning | FDL not initialized or not opened |
| | | reason | wrong handling on user side |
| | | remedy | Initialize and open FDL before using it |
| FAL_ERR_PROTECTION | heavy | meaning | request cannot be accepted |
| | | reason | block number outside the corresponding pool |
| | | remedy | correct block number and try again |
| FAL_ERR_REJECTED | normal | meaning | FDL driver cannot accept the request |
| | | reason | FDL driver is busy with an other word command or block command (in case of same block). |
| | | remedy | Call FAL_Handler as long as request isn't accepted. |
| FAL_ERR_ERASE | fatal | meaning | specified flash block could not be erased |
| | | reason | internal flash problems |
| | | remedy | do not use this block anymore |
| FAL_BUSY | normal | meaning | request is being processed |
| | | reason | request checked and accepted |
| | | remedy | nothing, call FAL_Handler until status changes |
| FAL_OK | normal | meaning | request was finished regular |
| | | reason | no problems during command execution happens |
| | | remedy | nothing |

Chapter 5 FDL usage by user application

5.1 First steps

It is very important to have theoretic background about the Data Flash and the FDL in order to successfully implement the library into the user application. Therefore it is important to read this user manual in advance especially chapter "Cautions".

5.2 Special considerations

5.2.1 Reset consistency

During the execution of FDL commands a reset could occur and the data could be damaged. In such cases it should be considered whether to use two variables for same data and so on. In other words please consider such reset scenarios to avoid invalid data. The EEL provided by Renesas Electronics is designed to avoid read of invalid data caused by such reset scenarios. The following chapter describes the applications where the EEL should be used.

5.2.2 EEL+FDL or FDL only

Depending on the security level of the application, write frequency of variables and variables count it should be considered whether to use the EEL+FDL or the FDL only.

5.2.2.1 FDL only

By using the FDL only the application has to take care about all reset scenarios and writing flow of different variables with different sizes.

Application scenarios

- Programming of initial or calibration data
- user specific EEPROM emulation

5.2.2.2 EEL+FDL

The duo of EEL and FDL allows the user to use the EEL for high write frequency of different variables with different sizes in a secure way and additionally the USER pool is available for free usage.

Application scenarios

- Programming of initial or calibration data
- Large count of variables and high write frequency by using the EEL
- Secure data handling completely handled by EEL

5.3 File structure

5.3.1 Library for IAR V1.xx Compiler

| | |
|-------------------------------------|-----------------------------|
| [root] | |
| Release.txt | Library release notes |
| support.txt | Library support information |
| [root]\[IAR_1xx]\[FDL]\[lib] | FDL library |
| fdl.h | FDL interface definition |
| fdl_types.h | FDL types definition |
| fdl.r87 | Pre-compiled library |
| [root]\[IAR_1xx]\[FDL]\[Sample]\[C] | |
| fdl_descriptor.c | Descriptor calculation part |
| fdl_descriptor.h | Pool configuration part |
| fdl_sample_linker_file.xcl | Sample Linker file |

5.3.2 Library for IAR V2.xx Compiler

| | |
|-------------------------------------|-----------------------------|
| [root] | |
| Release.txt | Library release notes |
| support.txt | Library support information |
| [root]\[IAR_2xx]\[FDL]\[lib] | FDL library |
| fdl.h | FDL interface definition |
| fdl_types.h | FDL types definition |
| fdl.a | Pre-compiled library |
| [root]\[IAR_2xx]\[FDL]\[Sample]\[C] | |
| fdl_descriptor.c | Descriptor calculation part |
| fdl_descriptor.h | Pool configuration part |
| fdl_sample_linker_file.icf | Sample Linker file |

5.3.3 Library for CA78K0R Compiler

| | |
|---|---------------------------------------|
| [root] | |
| Release.txt | Library release notes |
| support.txt | Library support information |
| [root]\[CA78K0R_xxx]\[FDL]\[lib] | FDL library |
| fdl.h | FDL interface definition (Compiler) |
| fdl.inc | FDL interface definition (Assembler) |
| fdl_types.h | FDL types definition |
| fdl.lib | Pre-compiled library |
| [root]\[CA78K0R_xxx]\[FDL]\[Sample]\[C] | Sample folder for C-Compiler projects |
| fdl_descriptor.c | Descriptor calculation part |
| fdl_descriptor.h | Pool configuration part |
| fdl_sample_linker_file.dr | Sample Linker file |
| [root]\[CA78K0R_xxx]\[FDL]\[Sample]\[asm] | Sample folder for Assembler projects |
| fdl_descriptor.asm | Descriptor calculation part |
| fdl_descriptor.inc | Pool configuration part |
| fdl_sample_linker_file.dr | Sample Linker file |

5.4 Configuration

5.4.1 Linker sections

Following segments are defined by the library and must be configured via the linker description file.

| | |
|----------|--|
| FAL_CODE | Segment for library code. Can be located anywhere in the code flash. |
| FAL_CNST | Segment for library constants like descriptor. Can be located anywhere in the code flash. |
| FAL_DATA | Segment for library data. Must be located inside the SADDR RAM |

NOTE: FAL_CODE and FAL_CNST segments must be located anywhere in the Code Flash but inside the same 64 KByte page.

5.4.2 Descriptor configuration (partitioning of the data flash)

Before the FDL can be used the FDL pool and its partitioning has to be configured first. The descriptor is defining the physical/virtual addresses and parameter of the pool which will be automatically calculated by using the FAL_POOL_SIZE and EEL_POOL_SIZE definition.

Because the physical starting address of the data flash is fixed by the hardware the user can only determine the total size of the pool expressed in blocks. Also the physical size of the pool is limited by the hardware and must not be defined by the user. Also the physical size of a flash block is a predefined constant determined by the used hardware.

The first configuration parameter is FAL_POOL_SIZE. The minimum value is 0 and means any access to the FDL-pool is closed. The maximum value is the data flash size expressed in blocks.

The other configuration parameter is EEL_POOL_SIZE, the size of the EEL-pool within the FDL-pool used exclusively for Renesas EEPROM emulation library only. The minimum size of the EEL-pool is 0. This means the complete FDL pool is occupied by the user for storing data. But also when a proprietary EEPROM emulation is implemented by the user the complete pool has to be reserved for it by specifying EEL_POOL_SIZE=0. The maximum size of the EEL-pool is FAL_POOL_SIZE.

Notes:

- The USER pool and EEL pool are complementary. This means: the USER pool is always the remaining none-EEL-pool (in other words $USER_POOL_SIZE = FAL_POOL_SIZE - EEL_POOL_SIZE$).
- The virtual address 0 of the user-pool corresponds with the successor of the last EEL-pool word.

5.4.3 Request structure

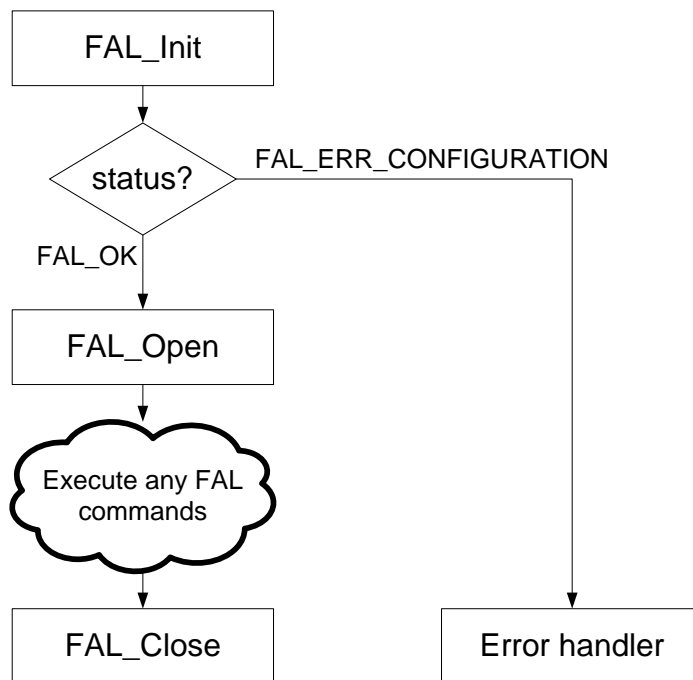
Depending on the user application architecture more than one request variable could be necessary. For example if an immediate write is necessary during running erase. In such a case two request variables (one for write and one for erase) are necessary. Please take care that each request variable is located on an even address.

5.5 General flow

5.5.1 General flow: Initialization

The following figure illustrates the initialization flow.

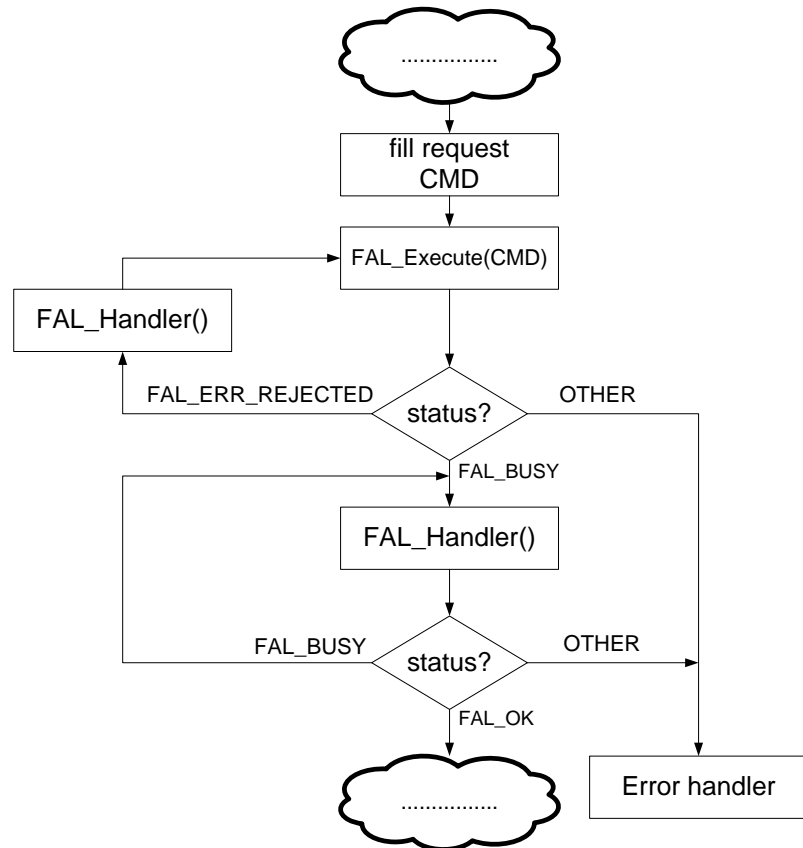
Figure 5-1 Initialization flow



5.5.2 General flow: commands except read

After initialization of the environment the application can use the commands provided by the library. The following figure illustrates the general flow of command (except read command) execution.

Figure 5-2 FAL command execution (except read command)

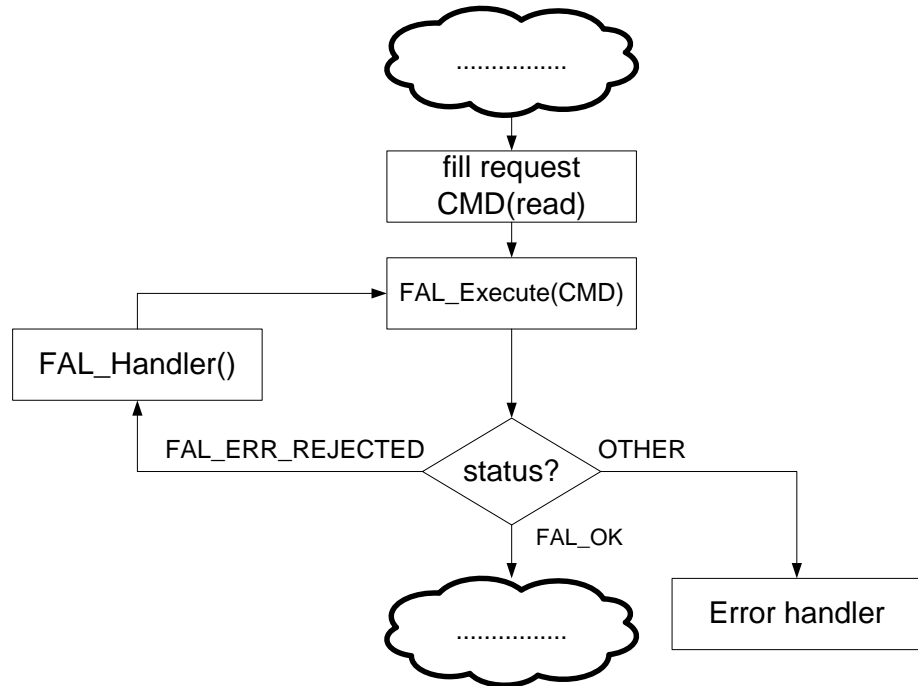


In case the requested command is rejected the application has to call the `FAL_Handler()` for finishing/suspend the background command and try to execute the command again.

5.5.3 General flow: read command

The difference between the read command and other commands (erase/write/verify/blank-check) is that the read command will be completed directly during FAL_Execute() function. That means no additionally FAL_Handler() calls are required.

Figure 5-3 FAL read command execution



In case the requested command is rejected the application has to call the FAL_Handler() for finishing/suspend the background command and try to execute the command again.

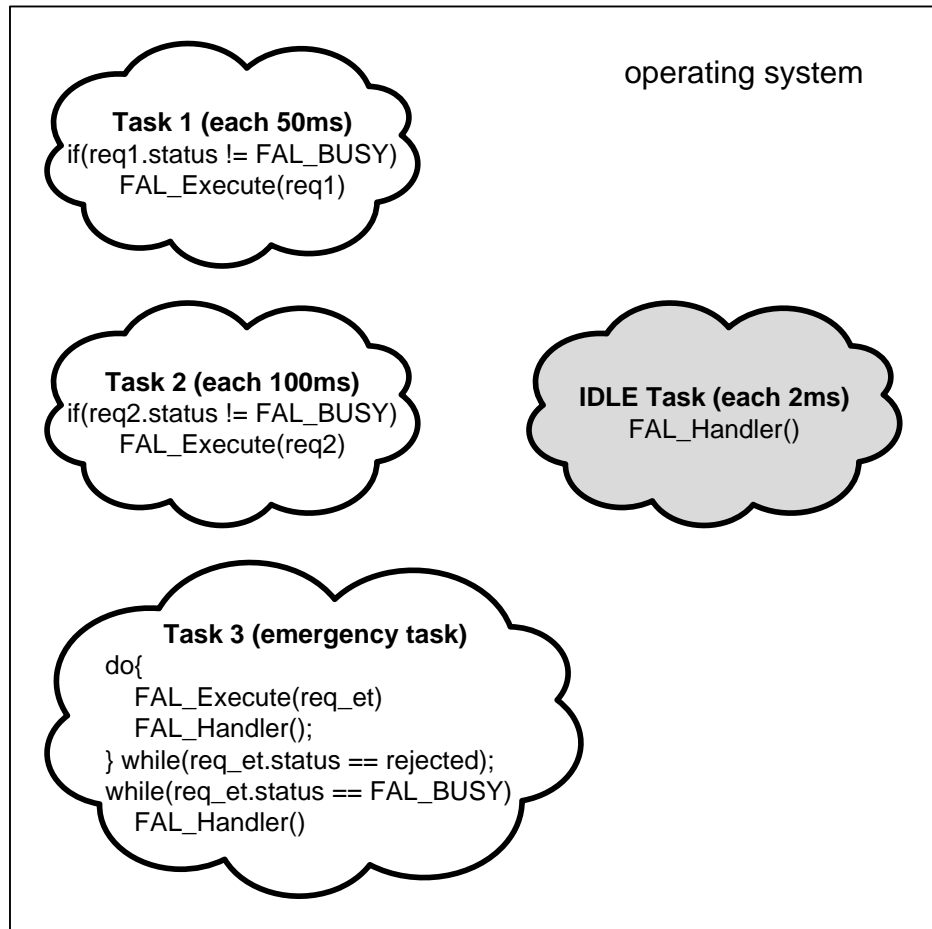
5.6 Example of FDL used in operating-systems

The possibility of background operation and request-response structure of the FDL allows the user to use the FDL in an efficient way in operating systems.

Note: Please read the chapter “Cautions” carefully before using the FDL in such operating systems.

The following figure illustrates a sample operating system where the FDL is used for Data Flash access.

Figure 5-4 FDL used in an operating system



This sample operating system shows three different task types which are described below.

Task 1 and Task 2

This task type is a requesting task like Task 1 and 2. Such tasks just start any FDL command via the `FAL_Execute` function and assume that it will be finished in the background via the IDLE task.

IDLE task

The IDLE task will be used by the application for continuing any running FAL command. That means the `FAL_Handler` must be called inside of such a task.

Emergency task

The difference between this task type and the requesting type (Task 1 and Task 2) is that this task performs any FAL commands completely without waiting in the background. Such task can be used in case of voltage drop where important data must be saved before the device is off.

5.7 Example: Simple application

The following sample shows how to use each command in a simple way.

```
extern __far const fal_descriptor_t  fal_descriptor_str;
fal_status_t                        my_fal_status_enu;
__near fal_request_t                request;

/* initialization */
my_fal_status_enu = FAL_Init(
    (__far fal_descriptor_t*)&fal_descriptor_str );

if(my_fal_status_enu != FAL_OK) ErrorHandler();
FAL_Open();

/* erase block 0 */
request.index_ul6    = 0x0000;
request.command_enu = FAL_CMD_ERASE_BLOCK;
FAL_Execute(&request);
while(request.status_enu == FAL_BUSY) FAL_Handler();
if(request.status_enu != FAL_OK)      ErrorHandler();

/* write patter 0x12345678 into the widx = 0 */
request.index_ul6    = 0x0000;
request.data_u32     = 0x12345678;
request.command_enu = FAL_CMD_WRITE_WORD;
FAL_Execute(&request);
while(request.status_enu == FAL_BUSY) FAL_Handler();
if(request.status_enu != FAL_OK)      ErrorHandler();

/* read value of widx = 0 */
request.index_ul6    = 0x0000;
request.command_enu = FAL_CMD_READ_WORD;
FAL_Execute(&request);
if(request.status_enu != FAL_OK) ErrorHandler();

/* check whether the written pattern is correct */
if(request.data_u32 != 0x12345678) ErrorHandler();

/* blank check widx = 0 */
request.index_ul6    = 0x0000;
request.command_enu = FAL_CMD_BLANKCHECK_WORD;
FAL_Execute(&request);
while(request.status_enu == FAL_BUSY) FAL_Handler();
if(request.status_enu != FAL_ERR_BLANKCHECK) ErrorHandler();

/* verify widx = 0 */
request.index_ul6    = 0x0000;
request.command_enu = FAL_CMD_IVERIFY_WORD;
FAL_Execute(&request);
while(request.status_enu == FAL_BUSY) FAL_Handler();
if(request.status_enu != FAL_OK) ErrorHandler();

FAL_Close();
```

5.8 Example: Read/Write during background erase

The FDL allows background erase operation, therefore during that time read- and write-access to data located in another block of the addressed pool is possible. To be able to use foreground read/write operation a separate request variable has to be declared for that purpose. Read and write commands do always suspend the erase process running in the background. Exception is when the word command tries to access the same block as the running erase in background. In such a case the FAL_Handler() has to be called until the running erase command is finished. Please refer to the detailed explanation of command suspension to chapter "Suspension of block oriented commands (erase)".

```

fal_request_t   my_BCMD_req, my_WCMD_req;
fal_u32         my_data_u32;

void erase_state_0(void)
{
    /* specify the BCMD parameter */
    my_BCMD_req.index_u16   = 4;
    my_BCMD_req.command_enu = FAL_CMD_ERASE_BLOCK;

    FAL_Execute(&my_BCMD_req);

    /* if erase-request accepted goto next state 1 */
    /* if erase-request rejected remain in state 0 */
    /* if erase-request error occurs goto error-state */

    if(my_BCMD_req.status_enu == FAL_BUSY;)
        next_state = erase_state_1;
    else
    {
        if (my_BCMD_req.status_enu != FAL_ERR_REJECTED)
            next_state = erase_state_err;
    }
}

/* block erase is running in background here */
void erase_state_1(void)
{
    /* if read during erase needed, read immediately */
    if(emergency_read==TRUE)
    {

        do {
            my_WCMD_req.index_u16   = 234;
            my_WCMD_req.command_enu = FAL_CMD_READ_WORD;
            FAL_Execute(&my_WCMD_req);

            FAL_Handler(); /* enforce eventually blocking command */

        } while((my_WCMD_req.status_enu==FAL_ERR_REJECTED));

        /* read-request accepted -> read the data directly */
        if (my_WCMD_req.status_enu==FAL_OK)
            my_data_u32 = my_WCMD_req.data_u32;
        else
        {
            /* in case of error, goto error-state */
            next_state = erase_state_err;
        }
    }
} /* ##### NEXT PAGE -----> ##### */

```

```
/* if write during erase needed, read immediately */
if(emergency_write==TRUE)
{
    do {
        my_data_u32 = 0x12345678;
        my_WCMD_req.data_u32 = my_data_u32;
        my_WCMD_req.index_u16 = 234;
        my_WCMD_req.command_enu = FAL_CMD_WRITE_WORD;
        FAL_Execute(&my_WCMD_req);

        FAL_Handler();/* enforce eventually blocking command */

    } while((my_WCMD_req.status_enu==FAL_ERR_REJECTED));

    /* enforce execution of the write-request */
    do {
        FAL_Handler();
    } while((my_WCMD_req.status_enu==FAL_BUSY));

    /* if error during write -> goto error-state */
    if (my_WCMD_req.status_enu!=FAL_OK)
        next_state = erase_state_err;
    }

    /* proceed the BCMD execution */
    FAL_Handler();

    /* erase-request finished -> goto state 2 */
    if(my_BCMD_req.status_enu==FAL_OK)
        next_state = erase_state_2;
    else
    {
        /* in case of error, goto error-state */
        next_state = erase_state_err;
    }
}
```


Chapter 6 Characteristics

6.1 Resource consumption

Table 6-1 Resource consumption

| | IAR V1.xx Compiler | IAR V2.xx Compiler | CA78K0R Compiler |
|--------------------------------|-----------------------|-----------------------|---------------------|
| Max. code size (code flash) | 1510 byte | 1500 byte | 1480 byte |
| Constants (code flash) | 64 byte | 64 byte | 64 byte |
| Internal data (SADDR RAM) | 2 byte | 2 byte | 2 byte |
| Max. stack (RAM) | 60 byte | 60 byte | 60 byte |

All values are based on FDL version V1.12

6.2 Timings

In the following, certain timing characteristics of the FDL are specified. All timing specifications are based on the following library version:

FDL T01 version V1.12.

Please note that there might be deviations from the specified timings in case you are using other library versions than the ones mentioned.

6.2.1 Maximum Function Execution Times

The maximum function execution times are listed in the following tables. These timings can be seen as worst case durations of the specific Tiny FDL function calls and therefore can aid the developer for time critical considerations, e.g. when setting up the watchdog timer. Please note however, that the typical and minimum function execution times can be much shorter.

Table 6-2 Maximum function execution times (full speed mode)

| Function | Maximum function execution time |
|--|---------------------------------|
| FAL_Init (no command running) | 1758/fclk |
| FAL_Init **1 (command running in background) | 2092/fclk + 60μs |
| FAL_Open | 83/fclk + 12μs |
| FAL_Close (no command running) | 42/fclk |
| FAL_Close **1 (command running in background) | 388/fclk + 60μs |
| FAL_Execute | 1259/fclk + 28μs |
| FAL_Handler | 974/fclk + 15μs |
| FAL_GetVersionString | 14/fclk |

Note **1

It is not recommended to call FAL_Init or FAL_Close in case of any command running in background.

Table 6-3 Maximum function execution times (wide voltage mode)

| Function | Maximum function execution time |
|--|---------------------------------|
| FAL_Init (no command running) | 1758/fclk |
| FAL_Init **1 (command running in background) | 2086/fclk + 114μs |
| FAL_Open | 83/fclk + 12μs |
| FAL_Close (no command running) | 42/fclk |
| FAL_Close **1 (command running in background) | 382/fclk + 114μs |
| FAL_Execute | 1259/fclk + 40μs |
| FAL_Handler | 974/fclk + 15μs |
| FAL_GetVersionString | 14/fclk |

Note **1

It is not recommended to call FAL_Init or FAL_Close in case of any command running in background.

6.2.2 Command execution times

The command execution times are listed in the following tables. These timings are divided into the typical timings, which will appear during the normal operation, and the maximum timings for worst case considerations.

Table 6-4 Command execution times (full speed mode)

| Command | Typical execution time | Maximum execution time |
|-----------------|------------------------|------------------------|
| erase | 11597/fclk + 5800μs | 282428/fclk + 264819μs |
| blank check | 1257/fclk + 32μs | 1952/fclk + 66μs |
| internal verify | 1051/fclk + 39μs | 1704/fclk + 75μs |
| write | 3381/fclk + 240μs | 6340/fclk + 1847μs |
| read | 347/fclk | 606/fclk + 23μs |

Table 6-5 Command execution times (wide voltage mode)

| Command | Typical execution time | Maximum execution time |
|-----------------|------------------------|------------------------|
| erase | 10272/fclk + 7195μs | 249108/fclk + 299308μs |
| blank check | 1250/fclk + 67μs | 1943/fclk + 120μs |
| internal verify | 1015/fclk + 145μs | 1661/fclk + 214μs |
| write | 3325/fclk + 554μs | 6108/fclk + 4125μs |
| read | 347/fclk | 606/fclk + 33μs |

Chapter 7 Cautions

Following cautions must be considered before developing of an application.

- Library code and constants must be located completely in the same 64k flash page.
- Initialization by FAL_Init must be performed before execution of FAL_Open/FAL_Close/FAL_Handler/FAL_Execute functions.
- Do not read data flash directly (means without FAL) during command execution of FAL
- Each request variable must be located from an even address
- Before executing any command, all members of the request variable must be initialized. If there are any unused members in the request variable, please set arbitrary values to these members.
- All functions are not re-entrant. That means don't call FAL functions inside the ISRs while any FAL function is already running.
- Task switches, context changes and synchronization between FDL functions

All FDL functions depend on FDL global available information and are able to modify this. In order to avoid synchronization problems, it is necessary that at any time only one FDL function is executed. So, it is not allowed to start an FDL function, then switch to another task context and execute another FDL function while the last one has not finished.

Example of not allowed sequence:

- Task 1: Start an FDL operation with FDL_Execute
- Interrupt the function execution and switch to task 2, executing FDL_Handler function.
- Return to task 1 and finish FDL_Execute function

- After execution of FAL_Close or FAL_Init function all requested/running commands will be aborted and cannot be resumed. Please take care that all running commands are finished before calling this functions.
- It is not possible to modify the Data Flash parallel to modification of the Code Flash
- Suspension of word commands like read, write, verify, and blank-check is not possible
- Internal high-speed oscillator must be started before using of the FDL.
- It is not allowed to locate any arguments and stack memory to address of 0xFFE20 and above.
- In case the application requires a frequency of less than 4MHz, the following frequencies are allowed: 1MHz, 2MHz, 3MHz. It is not allowed to use a frequency of e.g. 1.5MHz.
- In case the Data Transfer Controller(DTC) is used in parallel to the FDL, do not locate RAM area for DTC to address 0xFFE20 and above
- Please check the restrictions of your target device described in the device user's manual in case of accessing the data flash via the FDL.

- Additional cautions on using the FDL for IAR V2.xx.
 - Library code and constants must be located completely in the same 32KB memory range.
 - Each segment (FAL_DATA, FAL_CNST) must be located from an even address.
 - Do not align the members of any structure (by padding between them) that is to be used in the argument of an FDL library function. Refer to the fdl_types.h file for more information about the size of each structure.
 - If you wish to use a linker configuration file included of the IAR V2.2x compiler (instead of a sample linker configuration file in the flash library package), specify flash libraries sections with special names for Renesas objects (R_TEXTF_UNIT64KP, R_SBSS) in the linker configuration file.

e.g.)

```
ro section FAL_CODE -> ro code R_TEXTF_UNIT64KP section FAL_CODE  
rw section FAL_DATA -> rw data R_SBSS section FAL_DATA
```

Note: Section FAL_CNST does not require special names for Renesas objects since this section is defined in the sample source file (fdl_descriptor.c). Simply declare this flash library section in a linker configuration file as if it is normal section.

e.g.)

```
ro section FAL_CNST
```

Revision History

| Chapter | Page | Description |
|---------|-------|---|
| All | | Initial document |
| 3.2.5 | 21-22 | Rev. 1.01: Adding description of fal_descriptor_t element wide_voltage_mode_u08 |
| 3.3.2.2 | 25 | Extending description of FAL_Open Update of execution |
| 6.2 | 45-46 | times for functions and commands |
| 7 | 47 | List of cautions extended |
| All | All | Rev. 1.10: "Renesas Version" and "Renesas Compiler" unified to "CA78K0R Compiler" |
| All | All | Adding description of IAR V2.xx compiler API |
| 5.3.2 | 39 | Adding file structure for IAR V2.xx compiler |
| 6.1 | 49 | Resource consumption updated and added information of the IAR V2.xx compiler |
| 6.2.2 | 50 | Corrected the Table 6-5 |
| 7 | 51 | List of cautions extended |

Data Flash Access Library