

# Evaluation System for Stepping Motor with Resolver (RTK0EMX270C02000BJ) Schematic

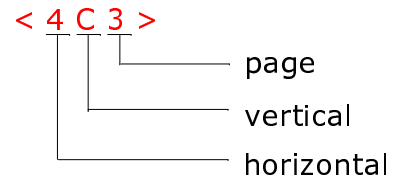
- 01 : Contents
- 02 : RX24T
- 03 : Connector
- 04 : RDC
- 05 : History

Supplementary explanation :

DNF : unmounted part

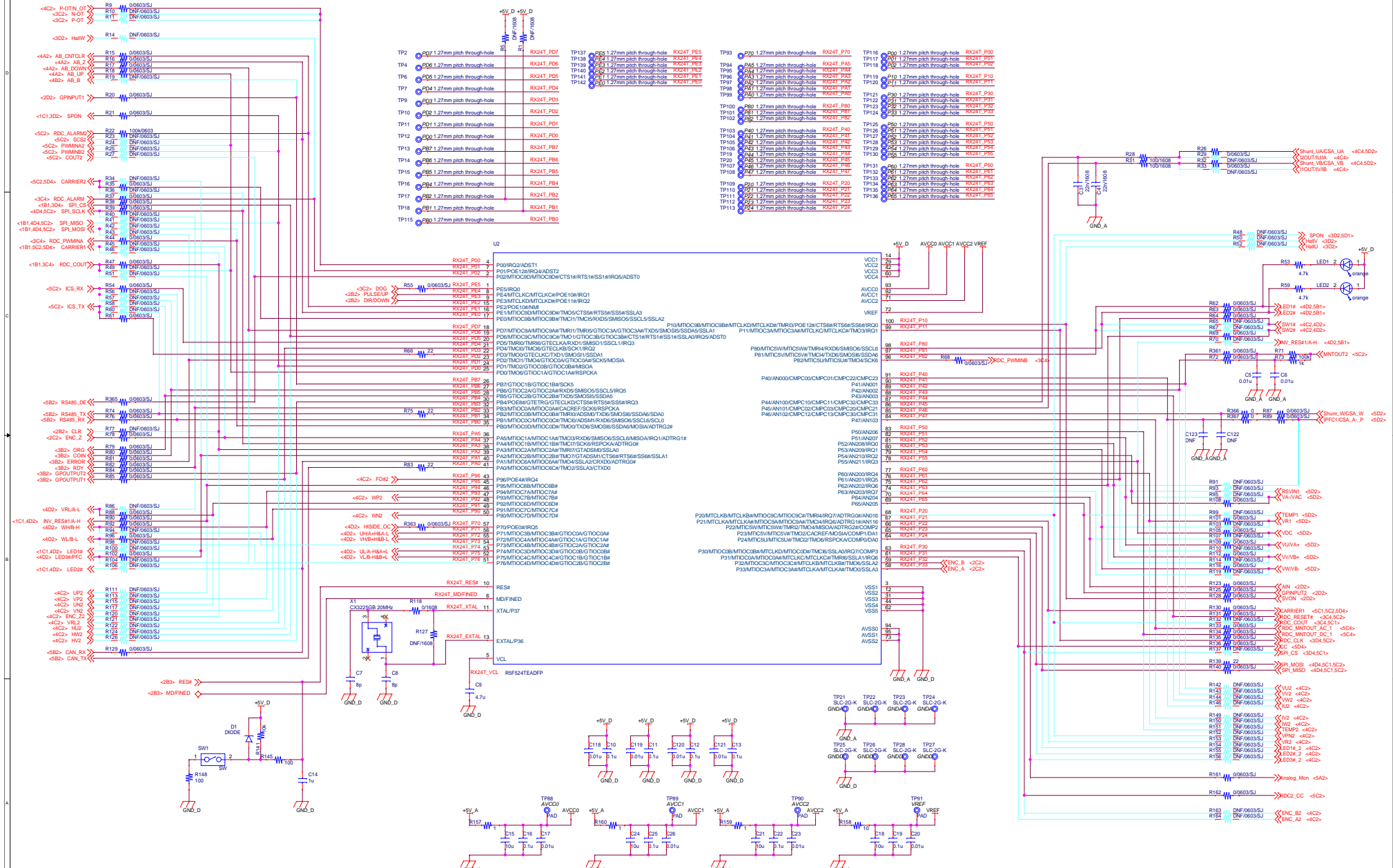
Access point : <horizontal, vertical, page>

Ex.



|                    |                         |              |
|--------------------|-------------------------|--------------|
| Title              |                         |              |
| RTK0EMX270C02000BJ |                         |              |
| Size               | Document Number         | Rev          |
| A3                 | R12TU0082EJ0110         | 1.10         |
| Date:              | Monday, August 31, 2020 | Sheet 1 of 5 |

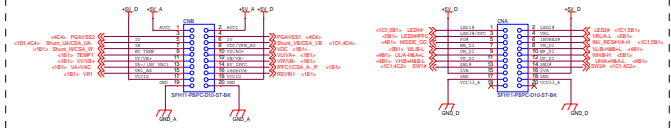
RX24T



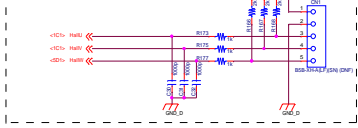
|          |                         |
|----------|-------------------------|
| Rev      | 1.10                    |
| Doc No   | R12TU082E.0110          |
| Doc Name | RTW0EM270C0008UJ        |
| Date     | Monday, August 31, 2020 |
| Sheet    | 2 of 5                  |

Connector

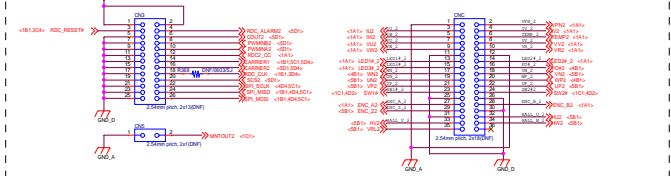
Inverter board connector



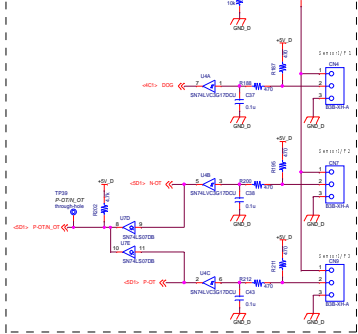
Hall IC connector



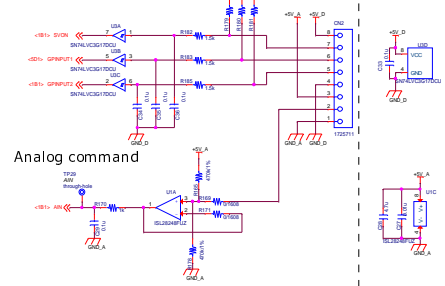
Empty terminal



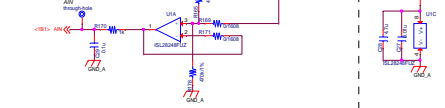
Sensor I/F



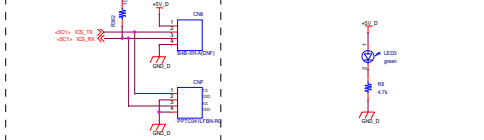
Sequence input



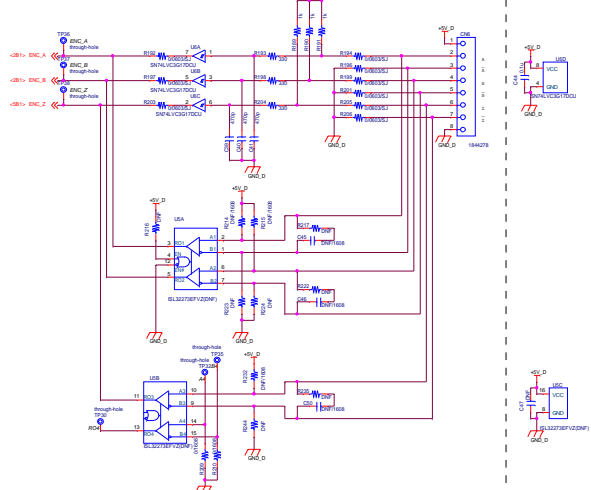
Analog command



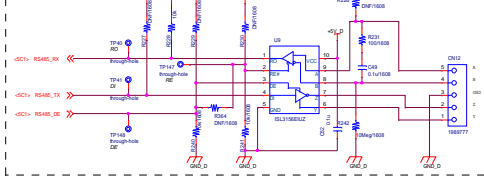
RMW communication connector



Encoder



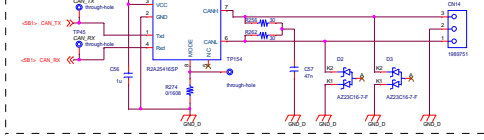
RS485 Driver



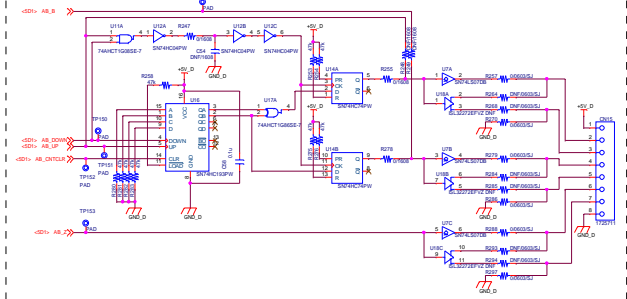
Sequence output



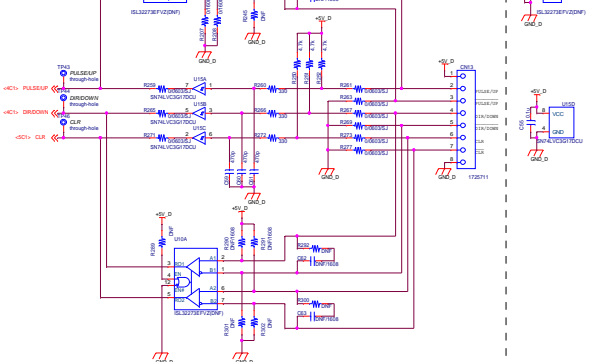
CAN Driver



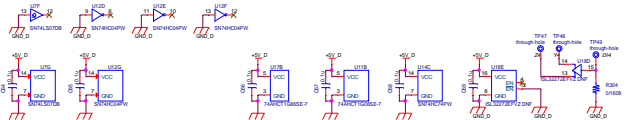
AB phase conversion+Buffer circuit



Pulse train command



Analog monitor





History

| Rev. | Date      | Page | Summary  |
|------|-----------|------|--|
| 1.00 | 2020/1/17 | —    | First edition  |
| 1.10 | 2020/8/31 | 4    | Change connection of R332 (for S/N:20EN*** or later) |

|                    |                         |              |
|--------------------|-------------------------|--------------|
| Title              |                         |              |
| RTK0EMX270C02000BJ |                         |              |
| Size               | Document Number         | Rev          |
| A3                 | R12TU0082EJ0110         | 1.10         |
| Date:              | Monday, August 31, 2020 | Sheet 5 of 5 |