

Contents

1. Introduction.....	3
2. Board Overview.....	3
3. Board Power Supply.....	7
4. Connecting the Board to a Computer.....	8
5. Functions of the U2 Switches on the 5P49V6967.....	9
6. Functions of the U2 Switches on the 5P49V6968.....	10
7. Operating Modes.....	11
8. On-Board Crystal.....	11
9. Configuration and Setup.....	12
10. Board Schematics.....	13
11. Signal Termination Options.....	19
11.1 Termination Options for the 5P49V6967 Board.....	20
11.2 Termination Options for the 5P49V6968 Board.....	21
12. Ordering Information.....	22
13. Revision History.....	22

List of Figures

Figure 1. 5P49V6967 EVB – Top View.....	3
Figure 2. 5P49V6968 EVB – Top View.....	5
Figure 3. 5VDDO_1 Voltage Selector on the 5P49V6967 and 5P49V6968 EVBs.....	7
Figure 4. VDDA/D Power Source Selector – 5P49V6967 EVB Example.....	7
Figure 5. VDDO LP-HCSL Power Source Selector – 5P49V6967 EVB Example.....	8
Figure 6. Aardvark Connector on the 5P49V6967 and 5P49V6968 EVBs.....	8
Figure 7. U2 Switches on the 5P49V6967.....	9
Figure 8. U2 Switches on the 5P49V6968.....	10
Figure 9. Crystal Circuit – 5P49V6967 EVB Example.....	11
Figure 10. 5P49V6967 Evaluation Board Schematics – Page 1.....	13
Figure 11. 5P49V6967 Evaluation Board Schematics – Page 2.....	13
Figure 12. 5P49V6967 Evaluation Board Schematics – Page 3.....	14
Figure 13. 5P49V6967 Evaluation Board Schematics – Page 4.....	15
Figure 14. 5P49V6968 Evaluation Board Schematics – Page 1.....	16
Figure 15. 5P49V6968 Evaluation Board Schematics – Page 2.....	17
Figure 16. 5P49V6968 Evaluation Board Schematics – Page 3.....	17
Figure 17. 5P49V6968 Evaluation Board Schematics – Page 4.....	18
Figure 18. 5P49V6967/68 Output Termination Options.....	19

List of Tables

Table 1.	5P49V6967 – EVB Pins and Functions	4
Table 2.	5P49V6968 – EVB Pins and Functions	6
Table 3.	Functions of U2 Switches on the 5P49V6967	9
Table 4.	Functions of U2 Switches on the 5P49V6968	10
Table 5.	5P49V6967 Termination Options for OUTPUT1.....	20
Table 6.	5P49V6967 Termination Options for OUTPUT2.....	20
Table 7.	5P49V6967 Termination Options for OUTPUT4.....	20
Table 8.	5P49V6968 Termination Options for OUTPUT1.....	21
Table 9.	5P49V6968 Termination Options for OUTPUT2.....	21
Table 10.	5P49V6968 Termination Options for OUTPUT4.....	21

1. Introduction

The 5P49V6967 and 5P45V6968 Evaluation Boards are designed to help users evaluate the VersaClock® 6E 5P49V6967 and 5P49V6968 respectively. When the Evaluation Board (EVB) is connected via USB to the user's computer running the IDT's *VersaClock 6E Timing Commander™ Software*, the 5P49V6967/68 can be configured and programmed to generate frequencies with best-in-class performance. In addition to one single-ended output and three programmable differential outputs, the 5P49V6967 has four additional LP-HCSL outputs and the 5P49V6968 has eight additional LP-HCSL outputs.

2. Board Overview

Figure 1. 5P49V6967 EVB – Top View

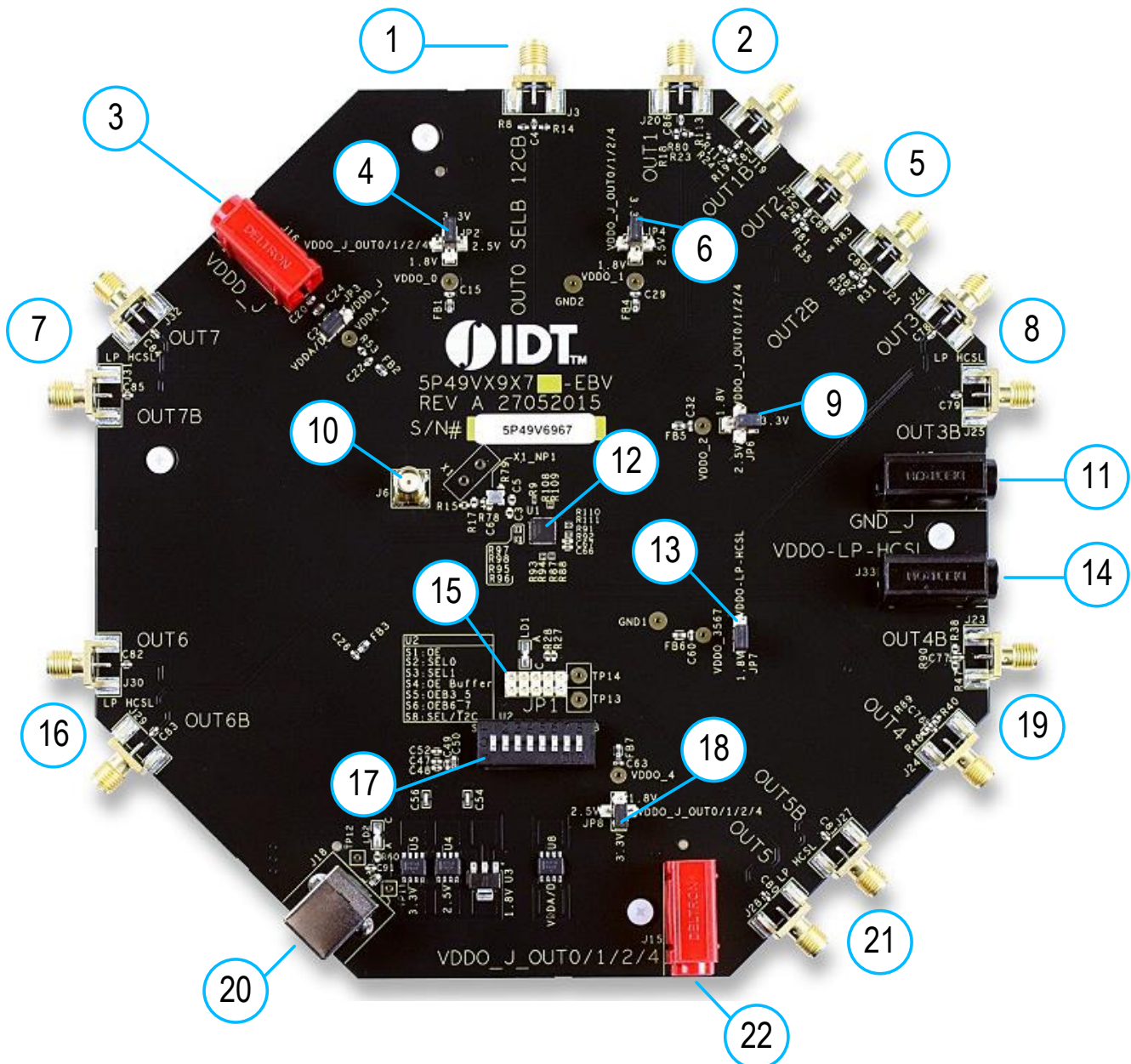


Table 1. 5P49V6967 – EVB Pins and Functions

Note: See Figure 1 for reference numbers in the following table.

Ref.	Name	On-Board Connector Label	Function
1	Output 0	J3	Single-ended LVCMOS clock output
2	Output 1	J19, J20	Differential clock output
3	VDDD_J	J16	VDD jack for VDD digital external power supply
4	VDDO_0	JP2	Power supply voltage selector for Output 0
5	Output 2	J21, J22	Differential clock output
6	VDDO_1	JP4	Power supply voltage selector for Output 1
7	Output 7	J31, J32	LP-HCSL differential clock output
8	Output 3	J25, J26	Differential clock output
9	VDDO_2	JP6	Power supply voltage selector for Output 2
10	XIN	J6	Input for overdriving XIN pin
11	Ground Jack	J17	Ground jack for external power supply
12	5P49V6967	U1	Evaluation device
13	VDDO_3 5 6 7	JP7	Power supply selector for LP-HCSL outputs
14	VDDO LP-HCSL Jack	J33	VDD jack for VDDO_LP-HCSL (1.8V) external power supply
15	Aardvark Connector	JP1	For Aardvark connection
16	Output 6	J29, J30	LP-HCSL differential clock output
17	DIP Switch	U2	S1: Output Enable (OE/SD) S2: Sel0 S3: Sel1 S4: OE Buffer S5: OEB _{3,5} S6: OEB _{6,7} S8: Sel [1:0] ; Default: I2C mode
18	VDDO_4	JP8	Power supply voltage selector for Output 4
19	Output 4	J23, J24	Differential clock output
20	USB Interface	J18	Used for connection with the user's computer for interaction with the <i>IDT Timing Commander Software</i> .
21	Output 5	J27, J28	LP-HCSL differential clock output
22	VDDO Jack	J15	VDD jack for external power supply

Figure 2. 5P49V6968 EVB – Top View

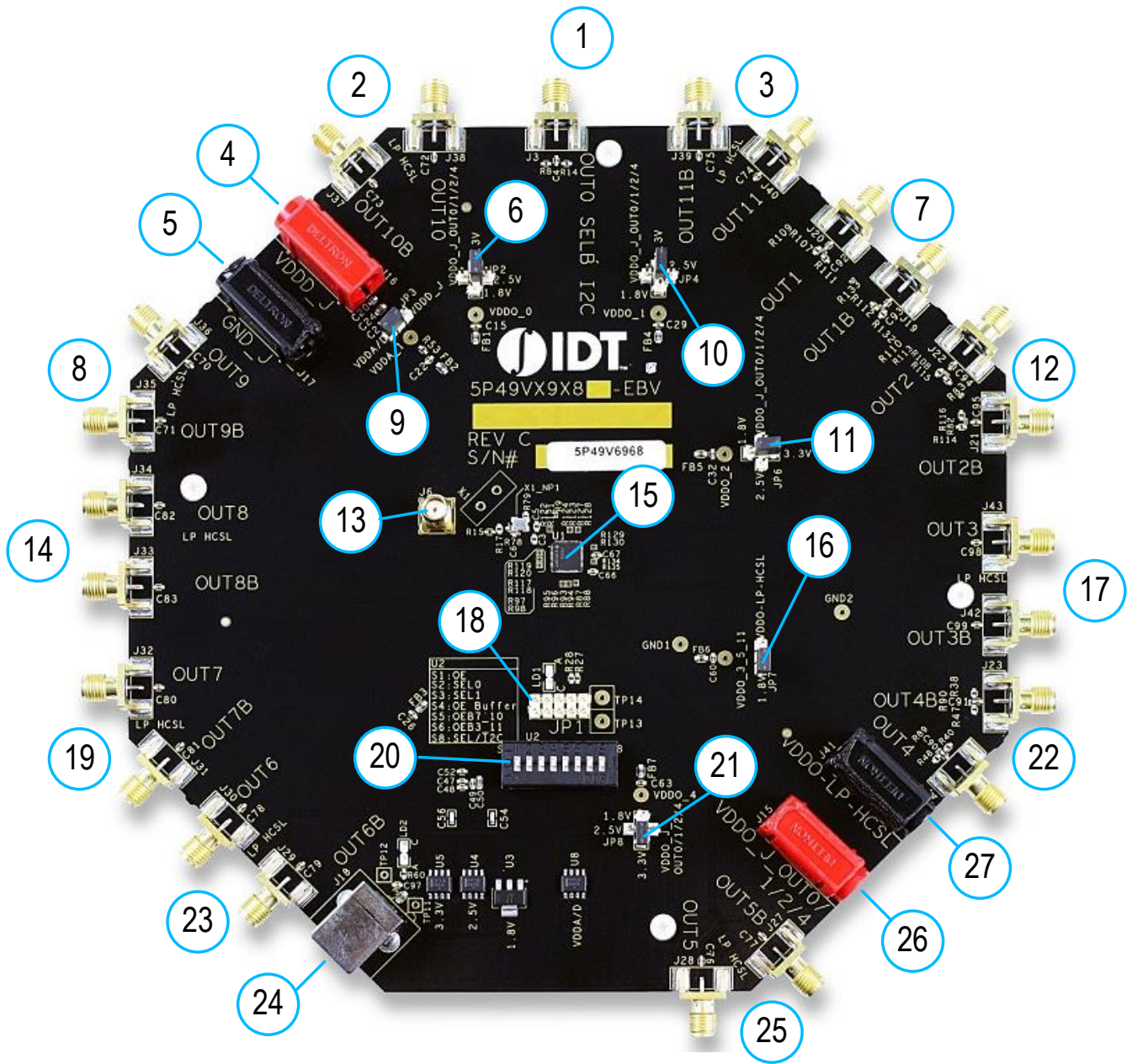


Table 2. 5P49V6968 – EVB Pins and Functions

Note: See Figure 2 for reference numbers in the following table.

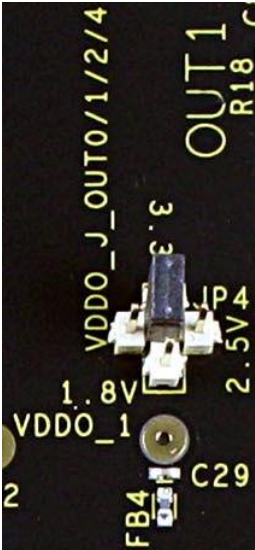
Ref.	Name	On-Board Connector Label	Function
1	Output 0	J3	Single-ended LVCMOS clock output
2	Output 10	J37, J38	LP-HCSL differential clock output
3	Output 11	J39, J40	LP-HCSL differential clock output
4	VDDD_J	J16	VDD jack for VDD digital external power supply
5	Ground Jack	J17	Ground jack for external power supply
6	VDDO_0	JP2	Power supply voltage selector for Output 0
7	Output 1	J19, J20	Differential clock output
8	Output 9	J35, J36	LP-HCSL differential clock output
9	VDDA/D	JP3	Power supply voltage selector for VDDA and VDDD
10	VDDO_1	JP4	Power supply voltage selector for Output 1
11	VDDO_2	JP6	Power supply voltage selector for Output 2
12	Output 2	J21, J22	Differential clock output
13	XIN	J6	Input for overdriving the XIN pin.
14	Output 8	J33, J34	LP-HCSL differential clock output
15	5P49V6968	U1	Evaluation device
16	VDDO_3_5_11	JP7	Power supply selector for LP-HCSL outputs
17	Output 3	J42, J43	Differential clock output
18	Aardvark Connector	JP1	For Aardvark connection
19	Output 7	J31, J32	LP-HCSL differential clock output
20	DIP Switch	U2	S1: Output Enable (OE/SD) S2: Sel0 S3: Sel1 S4: OE Buffer S5: OEB ₇₋₁₀ S6: OEB ₃₋₁₁ S8: Sel [1:0] ; Default: I2C mode
21	VDDO_4	JP8	Power supply voltage selector for Output 4
22	Output 4	J23, J24	Differential clock output
23	Output 6	J29, J30	LP-HCSL differential clock output
24	USB Interface	J18	Used for connection with the user's computer for interaction with the <i>IDT Timing Commander Software</i> .
25	Output 5	J27, J28	LP-HCSL differential clock output
26	VDDO Jack	J15	VDD jack for external power supply
27	VDDO LP-HCSL Jack	J41	VDD jack for VDDO_LP-HCSL (1.8V) external power supply.

3. Board Power Supply

The voltage for each of the 4 VDDO pins can be selected with jumpers. In the 5-pin configuration, the center pin is connected to the VDDO pin on the 5P49V6967/68 device. The 4 pins around it are connected to different power sources. A jumper connects the VDDO pin to a power source of choice.

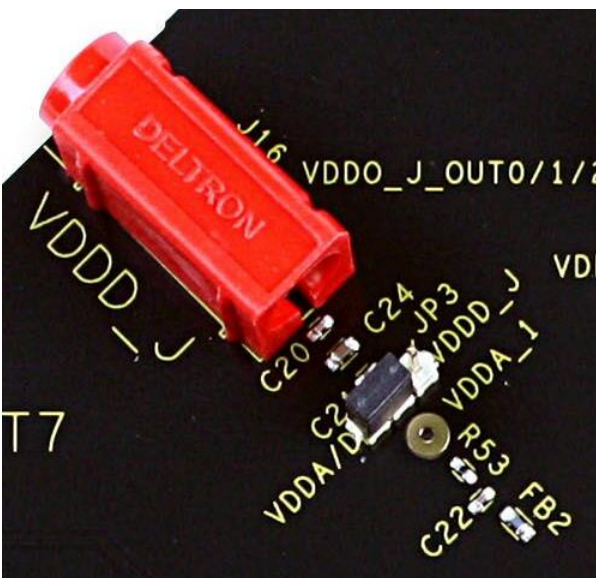
In Figure 3, the voltage for VDDO_1 is chosen to be 3.3V. Move the jumper to the right side to select 2.5V, to the bottom to select 1.8V, or to the left to select the VDDO_J Jack. The 3.3V, 2.5V, and 1.8V supplies are from on-board regulators that get their power from the USB connector. The VDD jacks are for connecting to a bench power supply.

Figure 3. 5VDDO_1 Voltage Selector on the 5P49V6967 and 5P49V6968 EVBs



For both EVBs, JP3 selects the power source for the VDDA and VDDD pins: either an on-board 3.3V regulator or the VDDD_J jack for a bench power supply. In Figure 4, the source for VDDA and VDDD is chosen to be the on-board 3.3V regulator.

Figure 4. VDDA/D Power Source Selector – 5P49V6967 EVB Example



For both EVBs, JP7 selects the power source for the VDDO LP-HCSL pins between an on-board 1.8V regulator and the VDDO-LP-HCSL jack for a bench power supply. In Figure 5, the source for VDDO LP-HCSL is chosen to be the on-board 1.8V regulator.

Figure 5. VDDO LP-HCSL Power Source Selector – 5P49V6967 EVB Example



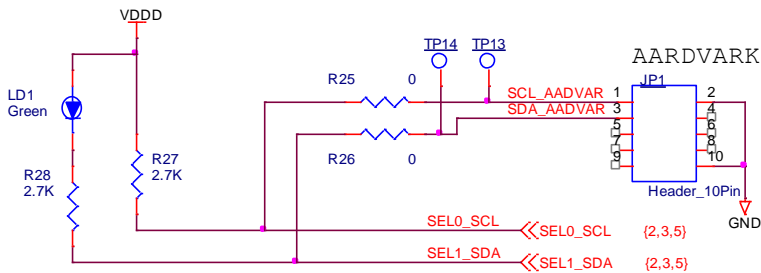
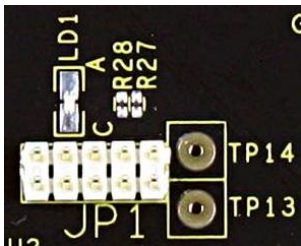
4. Connecting the Board to a Computer

The Evaluation Board can be connected to a computer via the USB connector. The on-board USB-to-I2C bridge (FTDI chip) handles the data communication and the +5V in the USB bus powers the on-board regulators. Using a bench power supply with the VDD jacks is optional. The board can fully function with just the USB cable to a computer.

IDT’s *Timing Commander Software* can control the 5P49V6967/68 on the board. *Timing Commander* is compatible with both the on-board USB-to-I2C bridge and the Aardvark adapter. *Timing Commander* displays a block diagram for entering the configuration and allows programming that configuration into the 5P49V6967 or 5P49V6968 on the board. *Timing Commander* handles defining the proper hex-code sequence to program into the device.

The Aardvark adapter can be plugged into JP1 as shown in Figure 6. In this case, also connect the USB port to a computer to power the FTDI chip so it does not load the SDA and SCL lines. With the USB cable connected to a computer, the USB can be used to power the 5P49V6967 or 5P49V6968 EVB as well.

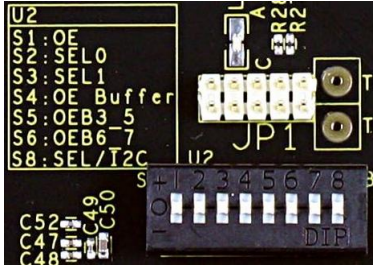
Figure 6. Aardvark Connector on the 5P49V6967 and 5P49V6968 EVBs



5. Functions of the U2 Switches on the 5P49V6967

On the 5P49V6967, the switch block U2 has 8 switches. Only 7 of the switches are used.

Figure 7. U2 Switches on the 5P49V6967



The switches connect to pins on the 5P49V6967 device. The middle position leaves the pin open. This is the default for each switch. Move to the “+” side to pull the pin HIGH and move to the “-” side to pull the pin LOW.

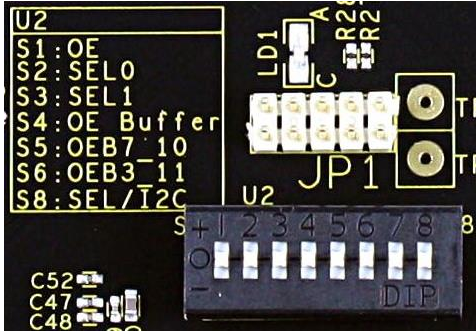
Table 3. Functions of U2 Switches on the 5P49V6967

Switch	Name	Function
1	OE	Connects to the SD/OE pin for Output Enable or Shut-Down operation.
2	SEL0	Connects to the SEL0/SCL pin. The main purpose of this switch is to operate SEL0 when the device has started in Hardware Select Mode. This switch can also be used to add an extra pull-up (10KΩ) on the SCL line for I2C operation.
3	SEL1	Connects to the SEL1/SDA pin. The main purpose of this switch is to operate SEL1 when the device has started in Hardware Select Mode. This switch can also be used to add an extra pull-up (10KΩ) on the SDA line for I2C operation.
4	OE Buffer	Connects to the OE Buffer pin to enable/disable only the LP-HCSL outputs.
5	OEB _{3,5}	Connects to the OEB _{3,5} pin to enable/disable only outputs 3 and 5.
6	OEB _{6,7}	Connects to the OEB _{6,7} pin to enable/disable only outputs 6 and 7.
7		Unused.
8		Pulls on the OUT0_SELB_I2C pin on the device to select the operation mode at power up. The state of the OUT0_SELB_I2C pin is latched at power up. The operation mode effectively sets the function of the SEL0/SCL and SEL1/SDA pins. The OUT0_SELB_I2C pin has an on-chip pull-down so switch 8 in the center or “-” position has the same effect and results in startup with the I2C Mode. In I2C Mode, the two pins have the SDA and SCL function for I2C operation. With the switch in the “+” position, the device will start in Hardware Select Mode. In Hardware Select Mode, the two pins have the SEL0 and SEL1 function for selecting a preprogrammed configuration.

6. Functions of the U2 Switches on the 5P49V6968

On the 5P49V6968, the switch block U2 has 8 switches. Only 7 of the switches are used.

Figure 8. U2 Switches on the 5P49V6968



The switches connect to pins on the 5P49V6968 device. The middle position leaves the pin open. This is the default for each switch. Move to the “+” side to pull the pin HIGH and move to the “-” side to pull the pin LOW.

Table 4. Functions of U2 Switches on the 5P49V6968

Switch	Name	Function
1	OE	Connects to the SD/OE pin for Output Enable or Shut-Down operation.
2	SEL0	Connects to the SEL0/SCL pin. The main purpose of this switch is to operate SEL0 when the device has started in Hardware Select Mode. This switch can also be used to add an extra pull-up (10KΩ) on the SCL line for I2C operation.
3	SEL1	Connects to the SEL1/SDA pin. The main purpose of this switch is to operate SEL1 when the device has started in Hardware Select Mode. This switch can also be used to add an extra pull-up (10KΩ) on the SDA line for I2C operation.
4	OE Buffer	Connects to the OE Buffer pin to enable/disable only the LP-HCSL outputs.
5	OEB _{7_10}	Connects to the OEB _{7_10} pin to enable/disable only outputs 7, 8, 9 and 10.
6	OEB _{3_11}	Connects to the OEB _{3_11} pin to enable/disable only outputs 3, 5, 6 and 11.
7		Unused.
8		Pulls on the OUT0_SELB_I2C pin on the device to select the operation mode at power up. The state of the OUT0_SELB_I2C pin is latched at power up. The operation mode effectively sets the function of the SEL0/SCL and SEL1/SDA pins. The OUT0_SELB_I2C pin has an on-chip pull-down so switch 8 in the center or “-” position has the same effect and results in startup with the I2C Mode. In I2C Mode, the two pins have the SDA and SCL function for I2C operation. With the switch in the “+” position, the device will start in Hardware Select Mode. In Hardware Select Mode, the two pins have the SEL0 and SEL1 function for selecting a preprogrammed configuration.

7. Operating Modes

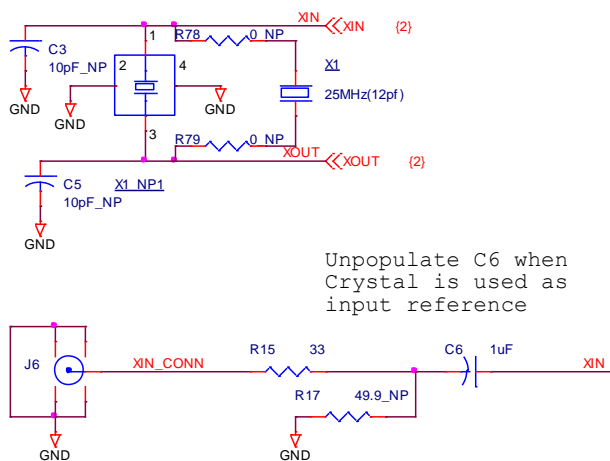
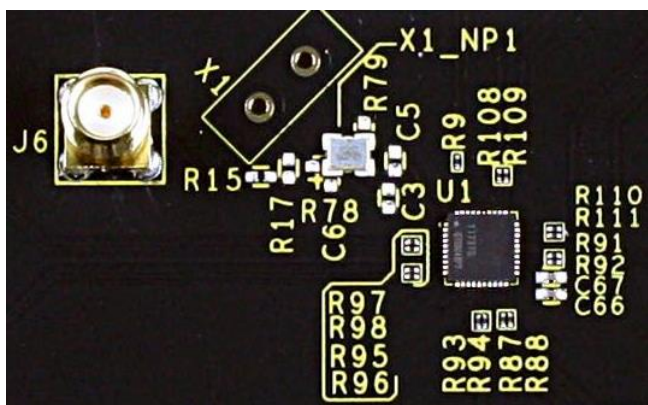
As explained above at switch 8, the 5P49V6967/68 can start up in two different operating modes: I2C Mode or Hardware Select Mode. The Evaluation Board is shipped with a “blank” 5P49V6967/68 device, without a configuration preprogrammed into the one-time-programmable (OTP) memory. Without a configuration preprogrammed, the Hardware Select Mode cannot be used. The “blank” device will start with a default or “test” configuration where output 0 and output 1 are enabled. Output 0 will be 25MHz and output 1 will be 100MHz with LVCMOSD logic. Next, *Timing Commander* can be used to program a configuration into the volatile registers in the device to test a configuration. This works without “burning” the permanent OTP memory, and most users of this Evaluation Board do not burn the OTP. This way the board can be used repeatedly to test configurations. Burning configurations into OTP is only useful when studying the Hardware Select Mode and the transition from one configuration to another.

Important Note: Burning configurations into the OTP is permanent and cannot be undone.

8. On-Board Crystal

A 25MHz crystal (X1_NP) is installed on the 5P49V6967/68 Evaluation Board. Figure 9 shows the location on the board and the schematic for the 5P49V6967 EVB. Refer to Figure 15 for the schematic for the 5P49V6968 EVB.

Figure 9. Crystal Circuit – 5P49V6967 EVB Example



The board is shipped with a small 25MHz SMD crystal installed. The crystal can be replaced with a different frequency if needed.

Note: The output 1 with the default or “test” mode will only work when using a 25MHz crystal.

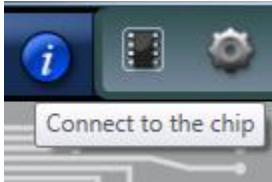
A thru-hole crystal can be assembled in the X1 position. In this case, remove the small 25MHz crystal and also assemble the resistors R78 and R79 to connect the thru-hole crystal.

Another useful modification can be to remove the 25MHz crystal and assemble C6 to connect the SMA connector J6. Now a clock from a generator or other source can be used to drive the XIN pin. In this case, also assemble R17 when termination of the external clock is needed. See the requirements for the XIN amplitude in the *5P49V6967/68 Datasheet*. Essentially, the amplitude on XIN should not exceed 1.2Vpp. Recommendation: Use 1.0Vpp for most tests. When doing phase noise measurements of the output clocks, use a very low noise clock for XIN. The best phase noise at the outputs is achieved when using a crystal. Only the very best of low noise RF signal generators connected to XIN can result in the same phase noise performance.

9. Configuration and Setup

Use the following steps to setup the 5P49V6967/68 EVB using I2C and start the configuration of the board.

1. Set the SEL switch (switch 8) of the U2 dip switch bank to "O" to select I2C Mode.
2. Connect J18 to a USB port of the user's computer using the USB cable supplied with the board.
3. Launch IDT's *VersaClock 6E Timing Commander Software* according to the instructions in the *VersaClock 6E Timing Commander User Guide*. The software and guide can be downloaded on the product pages:
 - www.IDT.com/5P49V6967
 - www.IDT.com/5P49V6968
4. Following the "Getting Started" steps in the *Timing Commander Software*, an I2C connection is established between the GUI software and the VersaClock 6E 5P49V6967/68.
5. Select "Open Settings File" to use existing settings, or select "New Settings File" and choose 5P49V6967 or 5P49V6968 depending on the Evaluation Board. On the same screen, browse for a personality file to be used with the Evaluation Board by clicking on the button at the bottom right.
6. Connect to the EVB by clicking on the microchip icon located at the top right of the *Timing Commander* screen.



7. Once the EVB is connected, new options will be available on a green background indicating that the EVB has successfully connected with the board. Write settings to the chip by clicking on the "Write all registers to the chip" option.



8. All enabled outputs should now be available for measurement.

10. Board Schematics

Figure 10. 5P49V6967 Evaluation Board Schematics – Page 1

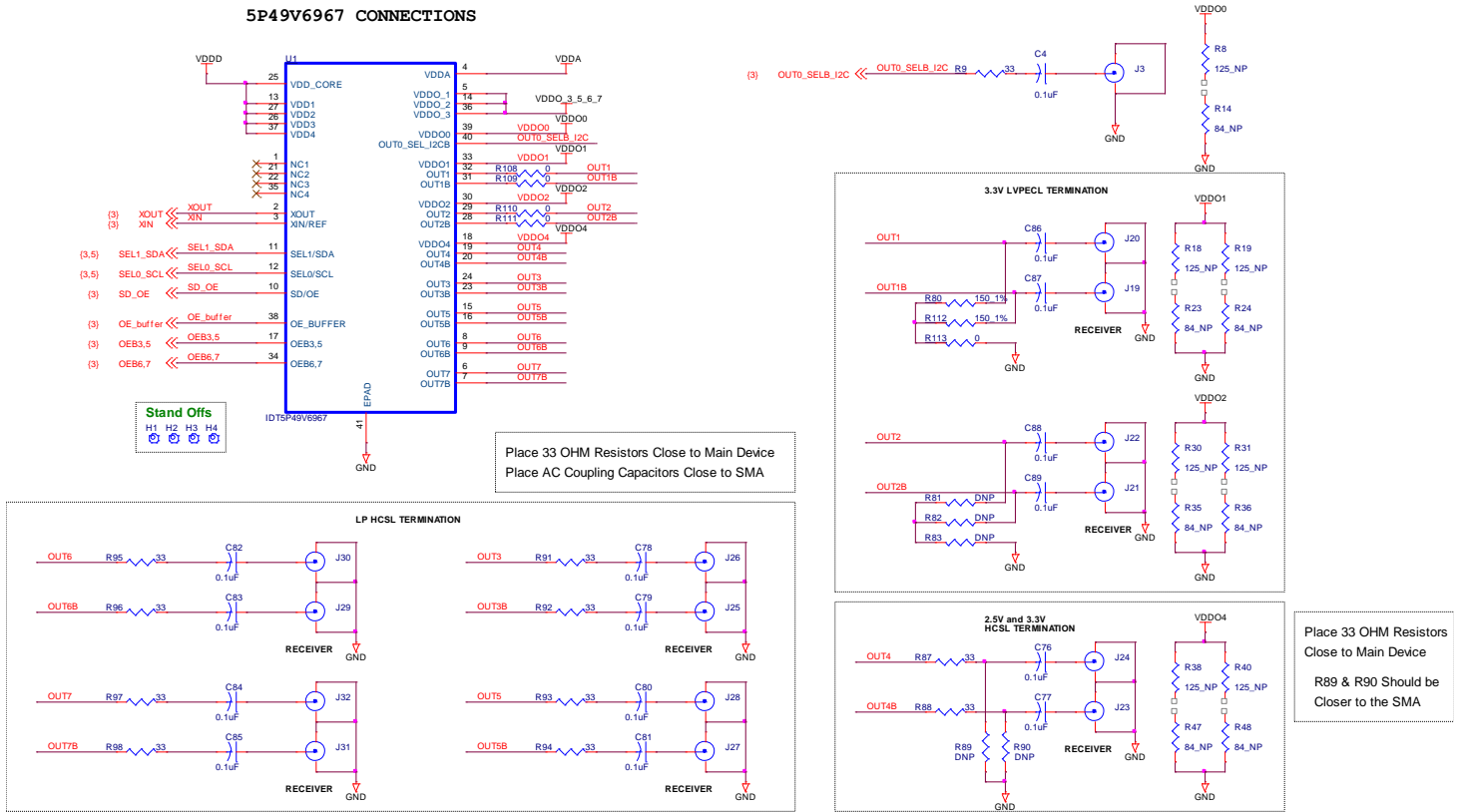


Figure 11. 5P49V6967 Evaluation Board Schematics – Page 2

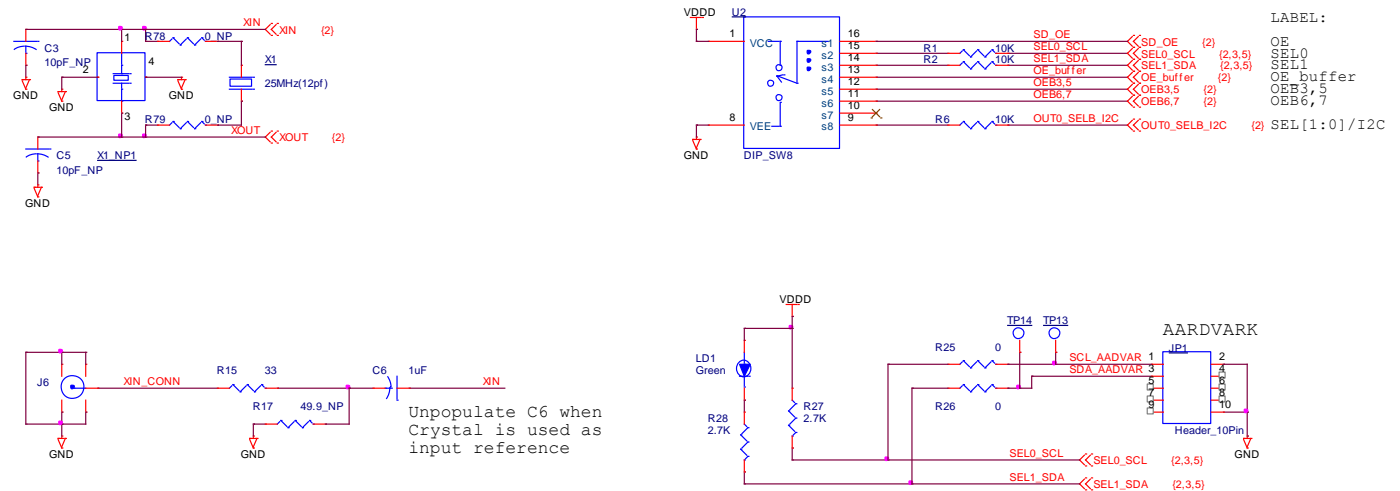


Figure 12. 5P49V6967 Evaluation Board Schematics – Page 3

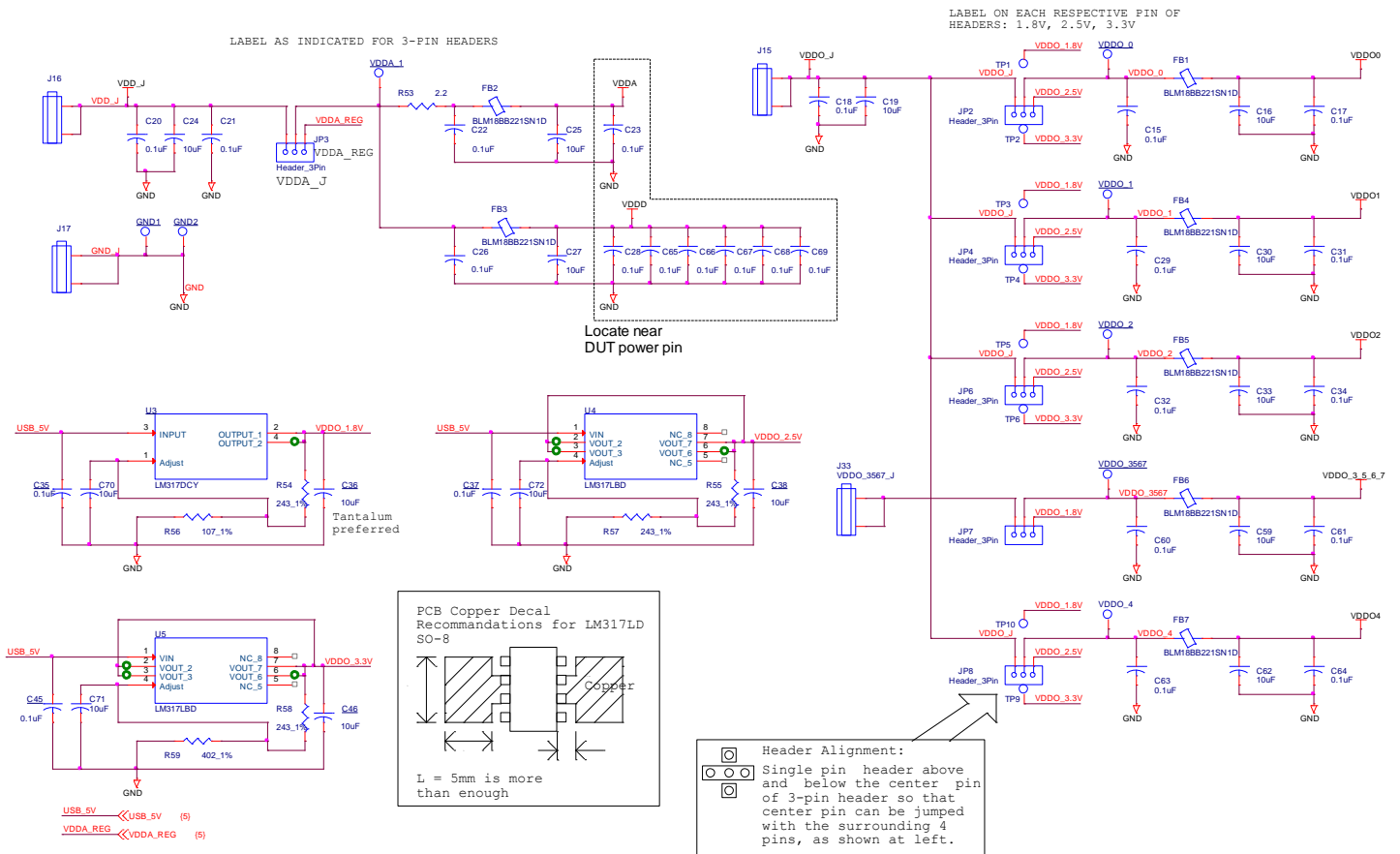


Figure 13. 5P49V6967 Evaluation Board Schematics – Page 4

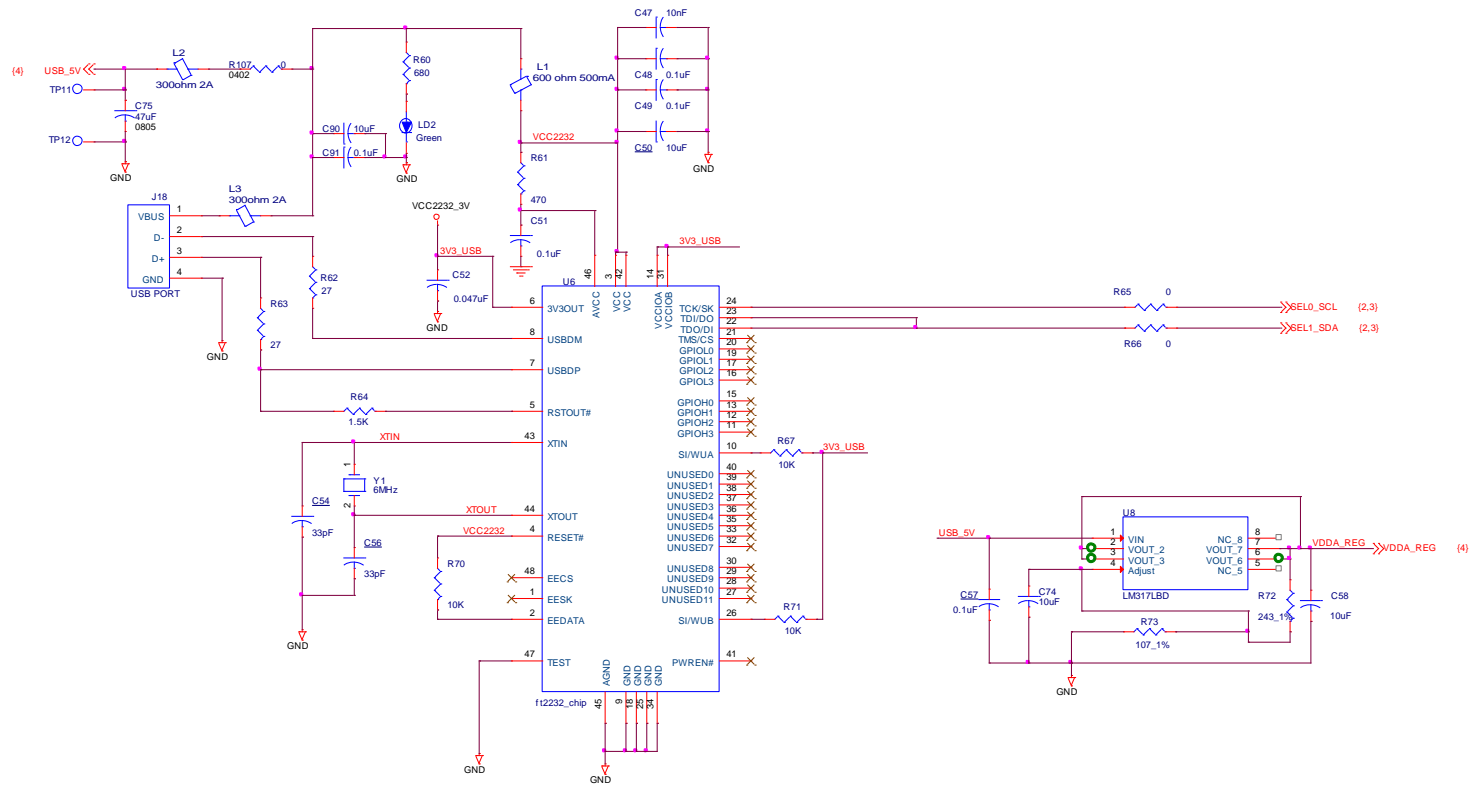


Figure 14. 5P49V6968 Evaluation Board Schematics – Page 1

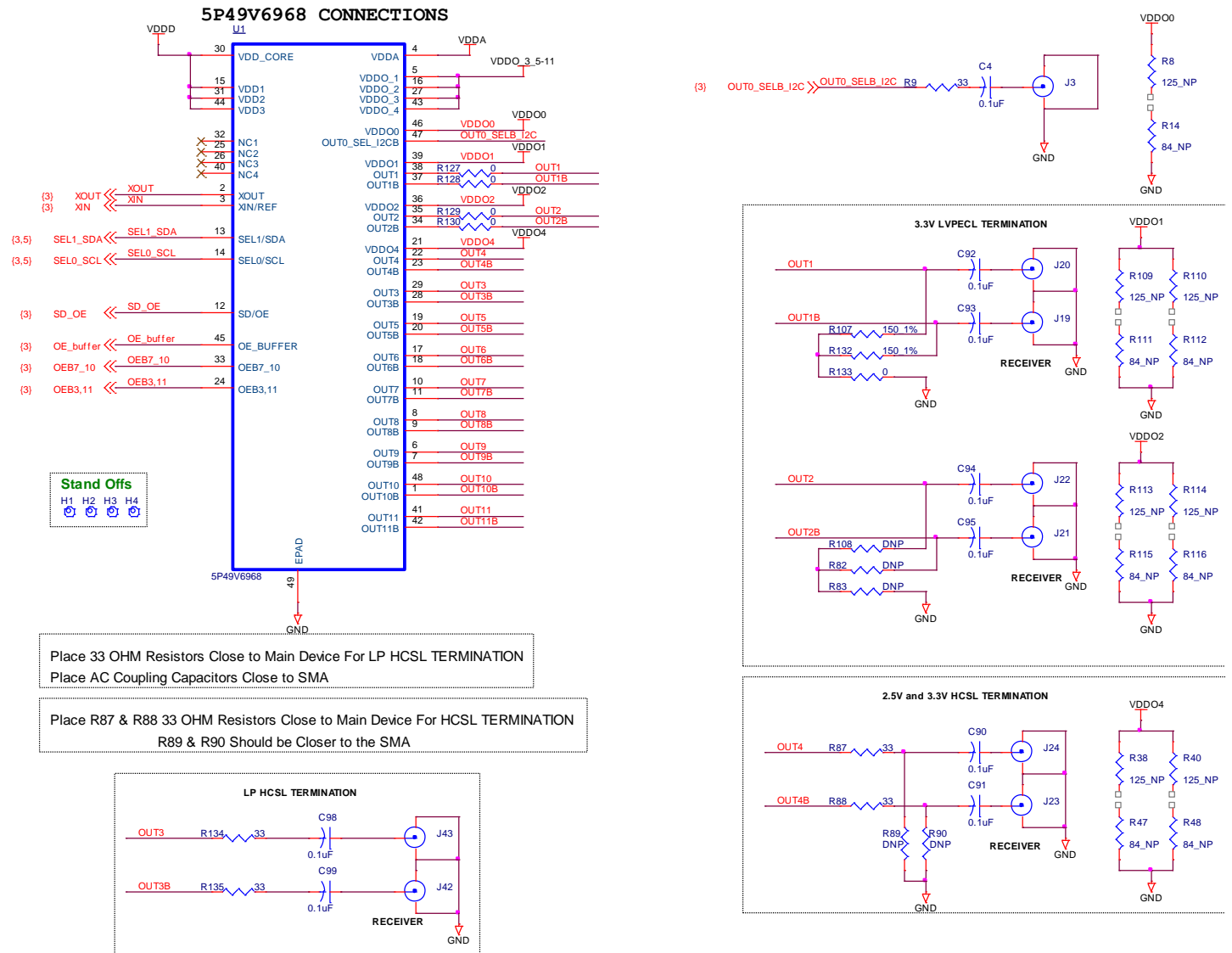


Figure 15. 5P49V6968 Evaluation Board Schematics – Page 2

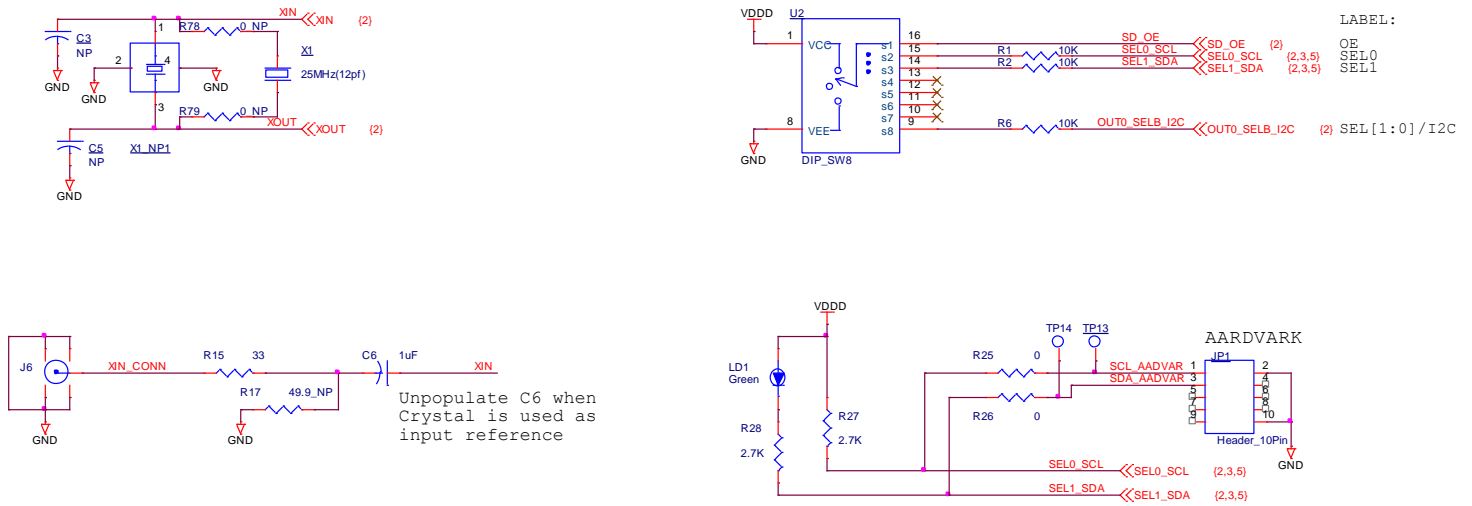


Figure 16. 5P49V6968 Evaluation Board Schematics – Page 3

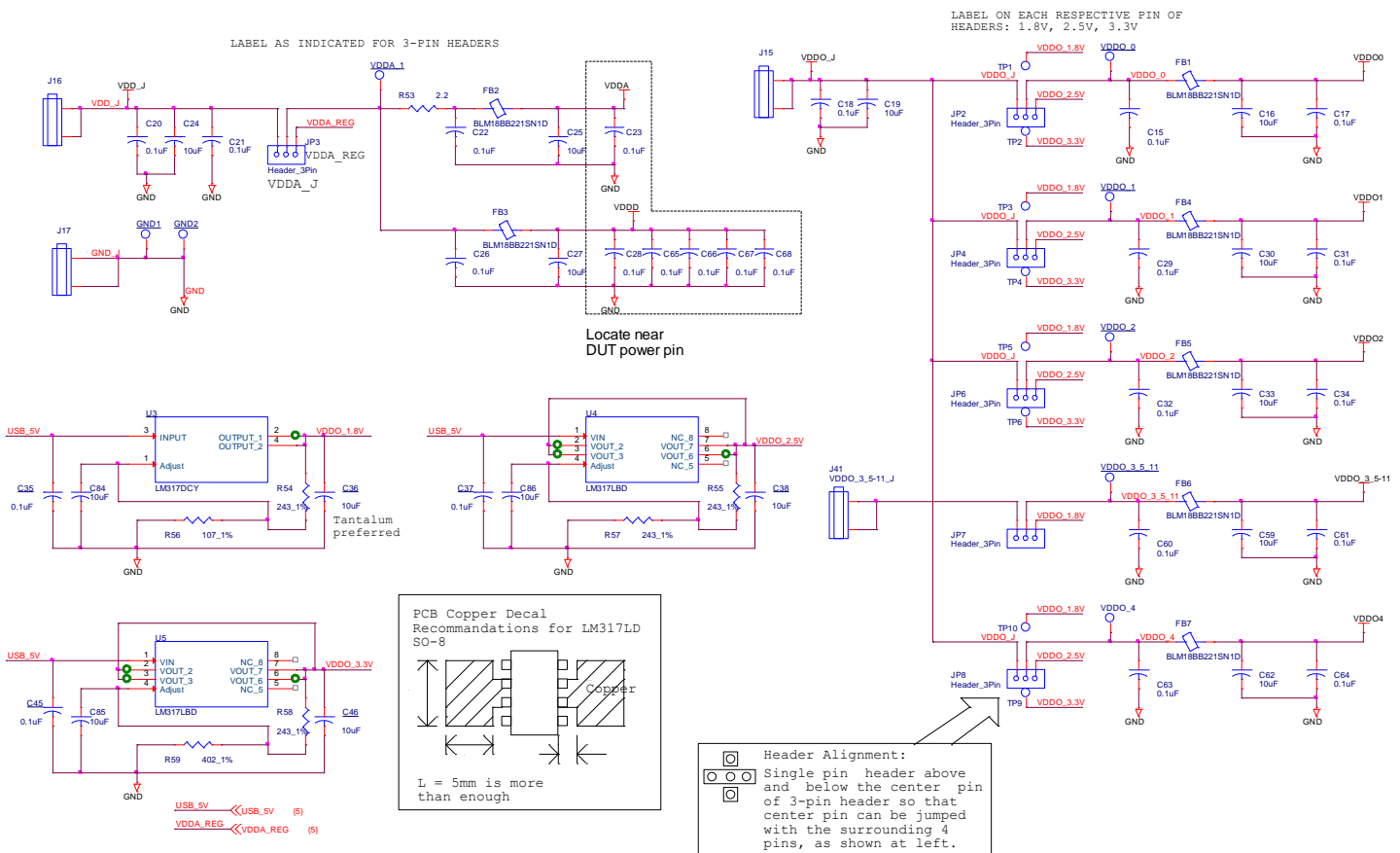
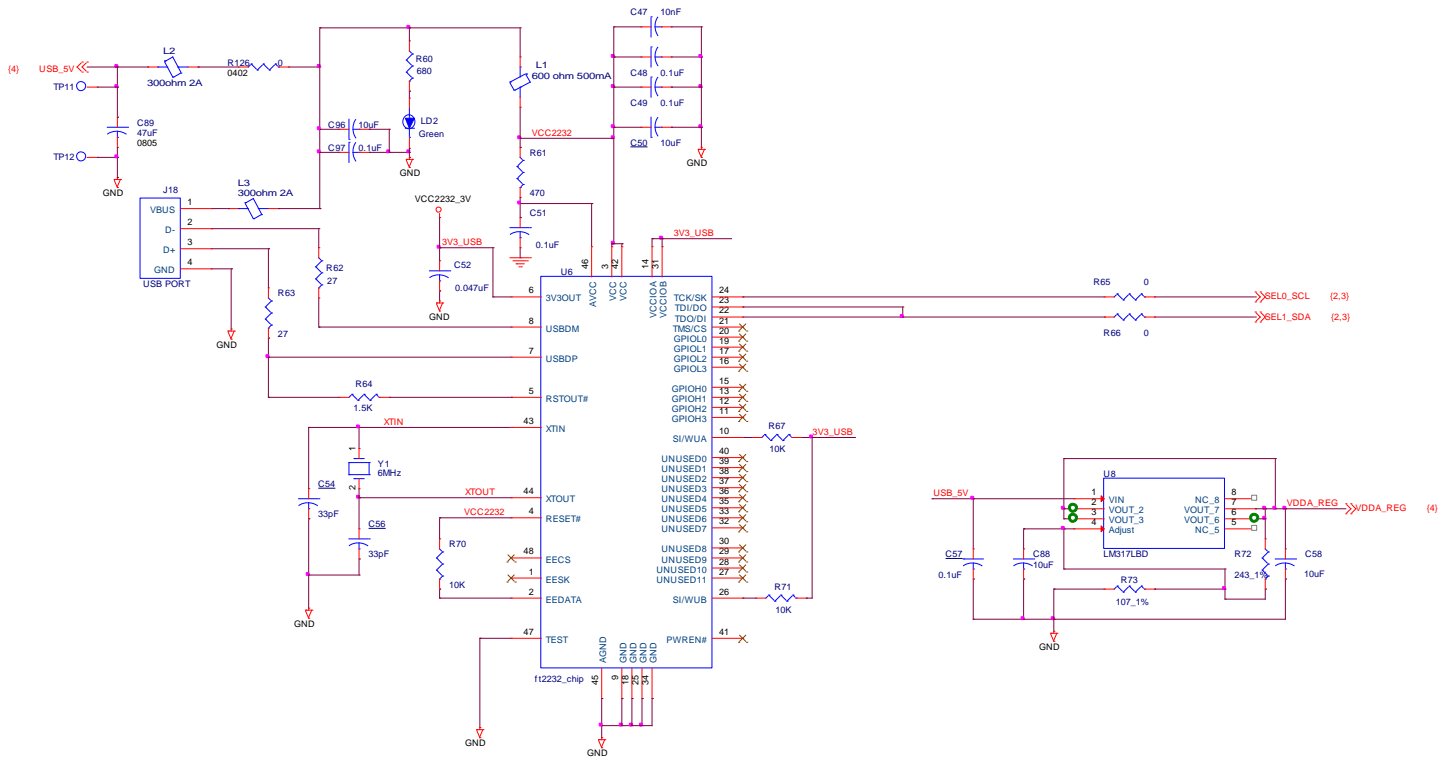


Figure 17. 5P49V6968 Evaluation Board Schematics – Page 4

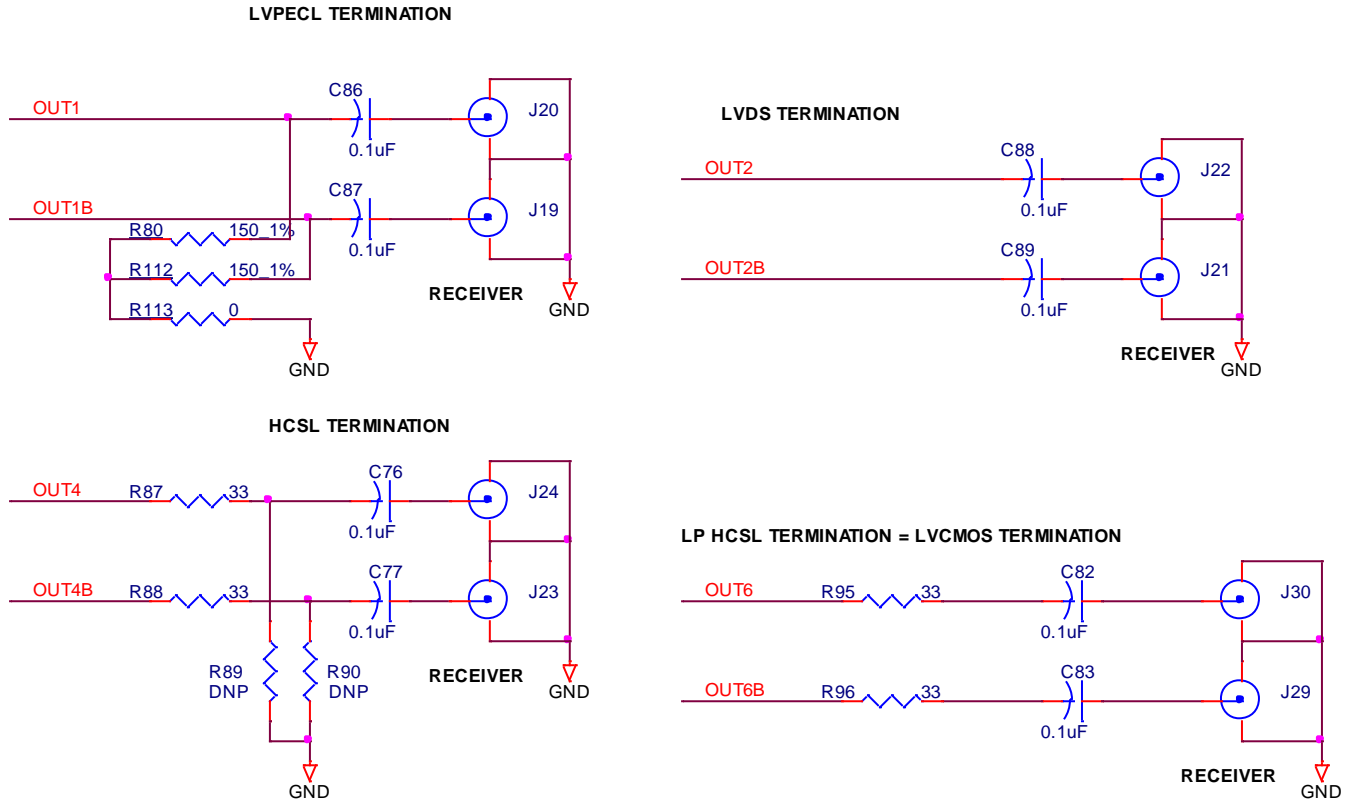


11. Signal Termination Options

Termination options for OUTPUT 1 – 4 for the 5P49V6967/68 Evaluation Board are shown in Figure 18. The termination circuits are designed to optionally terminate the output clocks in LVPECL, LVDS, LVCMOS and HCSL signal types by populating (or not-populating) some resistors. DC or AC coupling of these outputs is also supported.

Table 4 through Table 9 define the components that must be installed to support LVPECL, HCSL, LVCMOS and LVDS signal types for OUTPUT1 – 4 on the 5P49V6967/68 EVB. Note that with the specified components the output signals should be measured and terminated by test equipment with a 50Ω internal termination.

Figure 18. 5P49V6967/68 Output Termination Options



11.1 Termination Options for the 5P49V6967 Board

Note: In the tables in this section, the components given for the HCSL termination scheme are the default configuration of the Evaluation Board. This scheme allows quick measurements of every logic type without modification of the Evaluation Board. When using the unmodified board with equipment with AC coupled inputs, such as a spectrum analyzer or phase noise test set, use a 3dB or 6dB attenuator to facilitate a DC path to ground to allow the output driver to toggle. This is only needed with LVPECL and HCSL logic.

Table 5. 5P49V6967 Termination Options for OUTPUT1

Signal Type	Series Resistors: R108, R109	150Ω Pull-Down: R80, R112, R113	Series Capacitor: C86, C87
LVPECL	0Ω	Installed (see Figure 18)	0.1μF
HCSL	33Ω	Not installed	0Ω (short)
LVC MOS	33Ω	Not installed	0.1μF
LVDS	0Ω	Not installed	0.1μF

Table 6. 5P49V6967 Termination Options for OUTPUT2

Signal Type	Series Resistors: R110, R111	150Ω Pull-Down: R81, R82, R83	Series Capacitor: C88, C89
LVPECL	0Ω	Installed (see Figure 18)	0.1μF
HCSL	33Ω	Not installed	0Ω (short)
LVC MOS	33Ω	Not installed	0.1μF
LVDS	0Ω	Not installed	0.1μF

Table 7. 5P49V6967 Termination Options for OUTPUT4

Signal Type	Series Resistors: R87, R88	150Ω Pull-Down: R89, R90	Series Capacitor: C76, C77
LVPECL	0 Ω	Installed (see Figure 18)	0.1μF
HCSL	33Ω	Not installed	0Ω (short)
LVC MOS	33Ω	Not installed	0.1μF
LVDS	0Ω	Not installed	0.1μF

11.2 Termination Options for the 5P49V6968 Board

Note: In the tables in this section, the components given for the HCSL termination scheme are the default configuration of the Evaluation Board. This scheme allows quick measurements of every logic type without modification of the Evaluation Board. When using the unmodified board with equipment with AC coupled inputs, such as a spectrum analyzer or phase noise test set, use a 3dB or 6dB attenuator to facilitate a DC path to ground to allow the output driver to toggle. This is only needed with LVPECL and HCSL logic.

Table 8. 5P49V6968 Termination Options for OUTPUT1

Signal Type	Series Resistors: R127, R128	150Ω Pull-Down: R107, R132, R133	Series Capacitor: C92, C93
LVPECL	0 Ω	Installed (see Figure 18)	0.1μF
HCSL	33Ω	Not installed	0Ω (short)
LVC MOS	33Ω	Not installed	0.1μF
LVDS	0Ω	Not installed	0.1μF

Table 9. 5P49V6968 Termination Options for OUTPUT2

Signal Type	Series Resistors: R129, R130	150Ω Pull-Down: R108, R82, R83	Series Capacitor: C94, C95
LVPECL	0 Ω	Installed (see Figure 18)	0.1μF
HCSL	33Ω	Not installed	0Ω (short)
LVC MOS	33Ω	Not installed	0.1μF
LVDS	0Ω	Not installed	0.1μF

Table 10. 5P49V6968 Termination Options for OUTPUT4

Signal Type	Series Resistors: R87, R88	150Ω Pull-Down: R89, R90	Series Capacitor: C90, C91
LVPECL	0 Ω	Installed (see Figure 18)	0.1μF
HCSL	33Ω	Not installed	0Ω (short)
LVC MOS	33Ω	Not installed	0.1μF
LVDS	0Ω	Not installed	0.1μF

12. Ordering Information

Orderable Part Number	Description
5P49V6967-EVK	5P49V6967 Evaluation Board; A-male to B-male USB cable.
5P49V6968-EVK	5P49V6968 Evaluation Board; A-male to B-male USB cable.

13. Revision History

Revision Date	Description of Change
January 15, 2018	Initial release.