

To our customers,

---

## Old Company Name in Catalogs and Other Documents

---

On April 1<sup>st</sup>, 2010, NEC Electronics Corporation merged with Renesas Technology Corporation, and Renesas Electronics Corporation took over all the business of both companies. Therefore, although the old company name remains in this document, it is a valid Renesas Electronics document. We appreciate your understanding.

Renesas Electronics website: <http://www.renesas.com>

April 1<sup>st</sup>, 2010  
Renesas Electronics Corporation

Issued by: Renesas Electronics Corporation (<http://www.renesas.com>)

Send any inquiries to <http://www.renesas.com/inquiry>.

## Notice

1. All information included in this document is current as of the date this document is issued. Such information, however, is subject to change without any prior notice. Before purchasing or using any Renesas Electronics products listed herein, please confirm the latest product information with a Renesas Electronics sales office. Also, please pay regular and careful attention to additional and different information to be disclosed by Renesas Electronics such as that disclosed through our website.
2. Renesas Electronics does not assume any liability for infringement of patents, copyrights, or other intellectual property rights of third parties by or arising from the use of Renesas Electronics products or technical information described in this document. No license, express, implied or otherwise, is granted hereby under any patents, copyrights or other intellectual property rights of Renesas Electronics or others.
3. You should not alter, modify, copy, or otherwise misappropriate any Renesas Electronics product, whether in whole or in part.
4. Descriptions of circuits, software and other related information in this document are provided only to illustrate the operation of semiconductor products and application examples. You are fully responsible for the incorporation of these circuits, software, and information in the design of your equipment. Renesas Electronics assumes no responsibility for any losses incurred by you or third parties arising from the use of these circuits, software, or information.
5. When exporting the products or technology described in this document, you should comply with the applicable export control laws and regulations and follow the procedures required by such laws and regulations. You should not use Renesas Electronics products or the technology described in this document for any purpose relating to military applications or use by the military, including but not limited to the development of weapons of mass destruction. Renesas Electronics products and technology may not be used for or incorporated into any products or systems whose manufacture, use, or sale is prohibited under any applicable domestic or foreign laws or regulations.
6. Renesas Electronics has used reasonable care in preparing the information included in this document, but Renesas Electronics does not warrant that such information is error free. Renesas Electronics assumes no liability whatsoever for any damages incurred by you resulting from errors in or omissions from the information included herein.
7. Renesas Electronics products are classified according to the following three quality grades: “Standard”, “High Quality”, and “Specific”. The recommended applications for each Renesas Electronics product depends on the product’s quality grade, as indicated below. You must check the quality grade of each Renesas Electronics product before using it in a particular application. You may not use any Renesas Electronics product for any application categorized as “Specific” without the prior written consent of Renesas Electronics. Further, you may not use any Renesas Electronics product for any application for which it is not intended without the prior written consent of Renesas Electronics. Renesas Electronics shall not be in any way liable for any damages or losses incurred by you or third parties arising from the use of any Renesas Electronics product for an application categorized as “Specific” or for which the product is not intended where you have failed to obtain the prior written consent of Renesas Electronics. The quality grade of each Renesas Electronics product is “Standard” unless otherwise expressly specified in a Renesas Electronics data sheets or data books, etc.
  - “Standard”: Computers; office equipment; communications equipment; test and measurement equipment; audio and visual equipment; home electronic appliances; machine tools; personal electronic equipment; and industrial robots.
  - “High Quality”: Transportation equipment (automobiles, trains, ships, etc.); traffic control systems; anti-disaster systems; anti-crime systems; safety equipment; and medical equipment not specifically designed for life support.
  - “Specific”: Aircraft; aerospace equipment; submersible repeaters; nuclear reactor control systems; medical equipment or systems for life support (e.g. artificial life support devices or systems), surgical implantations, or healthcare intervention (e.g. excision, etc.), and any other applications or purposes that pose a direct threat to human life.
8. You should use the Renesas Electronics products described in this document within the range specified by Renesas Electronics, especially with respect to the maximum rating, operating supply voltage range, movement power voltage range, heat radiation characteristics, installation and other product characteristics. Renesas Electronics shall have no liability for malfunctions or damages arising out of the use of Renesas Electronics products beyond such specified ranges.
9. Although Renesas Electronics endeavors to improve the quality and reliability of its products, semiconductor products have specific characteristics such as the occurrence of failure at a certain rate and malfunctions under certain use conditions. Further, Renesas Electronics products are not subject to radiation resistance design. Please be sure to implement safety measures to guard them against the possibility of physical injury, and injury or damage caused by fire in the event of the failure of a Renesas Electronics product, such as safety design for hardware and software including but not limited to redundancy, fire control and malfunction prevention, appropriate treatment for aging degradation or any other appropriate measures. Because the evaluation of microcomputer software alone is very difficult, please evaluate the safety of the final products or system manufactured by you.
10. Please contact a Renesas Electronics sales office for details as to environmental matters such as the environmental compatibility of each Renesas Electronics product. Please use Renesas Electronics products in compliance with all applicable laws and regulations that regulate the inclusion or use of controlled substances, including without limitation, the EU RoHS Directive. Renesas Electronics assumes no liability for damages or losses occurring as a result of your noncompliance with applicable laws and regulations.
11. This document may not be reproduced or duplicated, in any form, in whole or in part, without prior written consent of Renesas Electronics.
12. Please contact a Renesas Electronics sales office if you have any questions regarding the information contained in this document or Renesas Electronics products, or if you have any other inquiries.

(Note 1) “Renesas Electronics” as used in this document means Renesas Electronics Corporation and also includes its majority-owned subsidiaries.

(Note 2) “Renesas Electronics product(s)” means any product developed or manufactured by or for Renesas Electronics.



# User's Manual

# V850ES/SG1

## 32-bit Single-Chip Microcontrollers

### Hardware

---

***μ*PD703249Y**

***μ*PD703252Y**

***μ*PD703253Y**

Document No. U17329EJ2V0UD00 (2nd edition)

Date Published May 2008 N

© NEC Electronics Corporation 2005, 2008

Printed in Japan

[MEMO]

## NOTES FOR CMOS DEVICES

### ① VOLTAGE APPLICATION WAVEFORM AT INPUT PIN

Waveform distortion due to input noise or a reflected wave may cause malfunction. If the input of the CMOS device stays in the area between  $V_{IL}$  (MAX) and  $V_{IH}$  (MIN) due to noise, etc., the device may malfunction. Take care to prevent chattering noise from entering the device when the input level is fixed, and also in the transition period when the input level passes through the area between  $V_{IL}$  (MAX) and  $V_{IH}$  (MIN).

### ② HANDLING OF UNUSED INPUT PINS

Unconnected CMOS device inputs can be cause of malfunction. If an input pin is unconnected, it is possible that an internal input level may be generated due to noise, etc., causing malfunction. CMOS devices behave differently than Bipolar or NMOS devices. Input levels of CMOS devices must be fixed high or low by using pull-up or pull-down circuitry. Each unused pin should be connected to  $V_{DD}$  or GND via a resistor if there is a possibility that it will be an output pin. All handling related to unused pins must be judged separately for each device and according to related specifications governing the device.

### ③ PRECAUTION AGAINST ESD

A strong electric field, when exposed to a MOS device, can cause destruction of the gate oxide and ultimately degrade the device operation. Steps must be taken to stop generation of static electricity as much as possible, and quickly dissipate it when it has occurred. Environmental control must be adequate. When it is dry, a humidifier should be used. It is recommended to avoid using insulators that easily build up static electricity. Semiconductor devices must be stored and transported in an anti-static container, static shielding bag or conductive material. All test and measurement tools including work benches and floors should be grounded. The operator should be grounded using a wrist strap. Semiconductor devices must not be touched with bare hands. Similar precautions need to be taken for PW boards with mounted semiconductor devices.

### ④ STATUS BEFORE INITIALIZATION

Power-on does not necessarily define the initial status of a MOS device. Immediately after the power source is turned ON, devices with reset functions have not yet been initialized. Hence, power-on does not guarantee output pin levels, I/O settings or contents of registers. A device is not initialized until the reset signal is received. A reset operation must be executed immediately after power-on for devices with reset functions.

### ⑤ POWER ON/OFF SEQUENCE

In the case of a device that uses different power supplies for the internal operation and external interface, as a rule, switch on the external power supply after switching on the internal power supply. When switching the power supply off, as a rule, switch off the external power supply and then the internal power supply. Use of the reverse power on/off sequences may result in the application of an overvoltage to the internal elements of the device, causing malfunction and degradation of internal elements due to the passage of an abnormal current.

The correct power on/off sequence must be judged separately for each device and according to related specifications governing the device.

### ⑥ INPUT OF SIGNAL DURING POWER OFF STATE

Do not input signals or an I/O pull-up power supply while the device is not powered. The current injection that results from input of such a signal or I/O pull-up power supply may cause malfunction and the abnormal current that passes in the device at this time may cause degradation of internal elements. Input of signals during the power off state must be judged separately for each device and according to related specifications governing the device.

**IECUBE is a registered trademark of NEC Electronics Corporation in Japan and Germany.**

**MINICUBE is a registered trademark of NEC Electronics Corporation in Japan and Germany or a trademark in the United States of America.**

**EEPROM, IEBus, and Inter Equipment Bus are trademarks of NEC Electronics Corporation.**

**Windows and Windows NT are either registered trademarks or a trademarks of Microsoft Corporation in the United States and/or other countries.**

**PC/AT is a trademark of International Business Machines Corporation.**

**SPARCstation is a trademark of SPARC International, Inc.**

**Solaris and SunOS are trademarks of Sun Microsystems, Inc.**

These commodities, technology or software, must be exported in accordance with the export administration regulations of the exporting country. Diversion contrary to the law of that country is prohibited.

- **The information in this document is current as of March, 2008. The information is subject to change without notice. For actual design-in, refer to the latest publications of NEC Electronics data sheets or data books, etc., for the most up-to-date specifications of NEC Electronics products. Not all products and/or types are available in every country. Please check with an NEC Electronics sales representative for availability and additional information.**

- No part of this document may be copied or reproduced in any form or by any means without the prior written consent of NEC Electronics. NEC Electronics assumes no responsibility for any errors that may appear in this document.

- NEC Electronics does not assume any liability for infringement of patents, copyrights or other intellectual property rights of third parties by or arising from the use of NEC Electronics products listed in this document or any other liability arising from the use of such products. No license, express, implied or otherwise, is granted under any patents, copyrights or other intellectual property rights of NEC Electronics or others.

- Descriptions of circuits, software and other related information in this document are provided for illustrative purposes in semiconductor product operation and application examples. The incorporation of these circuits, software and information in the design of a customer's equipment shall be done under the full responsibility of the customer. NEC Electronics assumes no responsibility for any losses incurred by customers or third parties arising from the use of these circuits, software and information.

- While NEC Electronics endeavors to enhance the quality, reliability and safety of NEC Electronics products, customers agree and acknowledge that the possibility of defects thereof cannot be eliminated entirely. To minimize risks of damage to property or injury (including death) to persons arising from defects in NEC Electronics products, customers must incorporate sufficient safety measures in their design, such as redundancy, fire-containment and anti-failure features.

- NEC Electronics products are classified into the following three quality grades: "Standard", "Special" and "Specific".

The "Specific" quality grade applies only to NEC Electronics products developed based on a customer-designated "quality assurance program" for a specific application. The recommended applications of an NEC Electronics product depend on its quality grade, as indicated below. Customers must check the quality grade of each NEC Electronics product before using it in a particular application.

"Standard": Computers, office equipment, communications equipment, test and measurement equipment, audio and visual equipment, home electronic appliances, machine tools, personal electronic equipment and industrial robots.

"Special": Transportation equipment (automobiles, trains, ships, etc.), traffic control systems, anti-disaster systems, anti-crime systems, safety equipment and medical equipment (not specifically designed for life support).

"Specific": Aircraft, aerospace equipment, submersible repeaters, nuclear reactor control systems, life support systems and medical equipment for life support, etc.

The quality grade of NEC Electronics products is "Standard" unless otherwise expressly specified in NEC Electronics data sheets or data books, etc. If customers wish to use NEC Electronics products in applications not intended by NEC Electronics, they must contact an NEC Electronics sales representative in advance to determine NEC Electronics' willingness to support a given application.

(Note)

(1) "NEC Electronics" as used in this statement means NEC Electronics Corporation and also includes its majority-owned subsidiaries.

(2) "NEC Electronics products" means any product developed or manufactured by or for NEC Electronics (as defined above).

## PREFACE

**Readers** This manual is intended for users who wish to understand the functions of the V850ES/SG1 and design application systems using these products.

**Purpose** This manual is intended to give users an understanding of the hardware functions of the V850ES/SG1 shown in the **Organization** below.

**Organization** This manual is divided into two parts: Hardware (this manual) and Architecture (**V850ES Architecture User's Manual**).

Hardware
----------

- Pin functions
- CPU function
- On-chip peripheral functions
- Electrical specifications

Architecture
--------------

- Data types
- Register set
- Instruction format and instruction set
- Interrupts and exceptions
- Pipeline operation

**How to Read This Manual** It is assumed that the readers of this manual have general knowledge in the fields of electrical engineering, logic circuits, and microcontrollers.

To understand the overall functions of the V850ES/SG1

→ Read this manual according to the **CONTENTS**.

To find the details of a register where the name is known

→ Use **APPENDIX C REGISTER INDEX**.

Register format

→ The name of the bit whose number is in angle brackets (<>) in the figure of the register format of each register is defined as a reserved word in the device file.

To understand the details of an instruction function

→ Refer to the **V850ES Architecture User's Manual** available separately.

To know the electrical specifications of the V850ES/SG1

→ See **CHAPTER 26 ELECTRICAL SPECIFICATIONS**.

The “yyy bit of the xxx register” is described as the “xxx.yyy bit” in this manual. Note with caution that if “xxx.yyy” is described as is in a program, however, the compiler/assembler cannot recognize it correctly.

The mark <R> shows major revised points. The revised points can be easily searched by copying an “<R>” in the PDF file and specifying it in the “Find what:” field.



## Conventions

Data significance:	Higher digits on the left and lower digits on the right
Active low representation:	$\overline{\text{xxx}}$ (overscore over pin or signal name)
Memory map address:	Higher addresses on the top and lower addresses on the bottom
<b>Note:</b>	Footnote for item marked with <b>Note</b> in the text
<b>Caution:</b>	Information requiring particular attention
<b>Remark:</b>	Supplementary information
Numeric representation:	Binary ... xxxx or xxxxB Decimal ... xxxx Hexadecimal ... xxxxH
Prefix indicating power of 2 (address space, memory capacity):	K (kilo): $2^{10} = 1,024$ M (mega): $2^{20} = 1,024^2$ G (giga): $2^{30} = 1,024^3$

## Related Documents

The related documents indicated in this publication may include preliminary versions. However, preliminary versions are not marked as such.

### Documents related to V850ES/SG1

Document Name	Document No.
V850ES Architecture User's Manual	U15943E
V850ES/SG1 Hardware User's Manual	This manual
V850ES/SG2, V850ES/SG2-H Hardware User's Manual	U16541E

### Documents related to development tools

Document Name	Document No.	
IE-V850ES-G1 (In-Circuit Emulator)	U16313E	
IE-703288-G1-EM1 (In-Circuit Emulator Option Board)	U16697E	
IE-V850E1-CD-NW (PCMCIA Card Type On-Chip Debug Emulator)	U16647E	
QB-V850ESSX2 (In-Circuit Emulator)	U17091E	
QB-V850MINI (On-Chip Debug Emulator)	U17638E	
QB-MINI2 (On-Chip Debug Emulator with Programming Function)	U18371E	
CA850 Ver. 3.20 C Compiler Package	Operation	U18512E
	C Language	U18513E
	Assembly Language	U18514E
	Link Directives	U18515E
PM+ Ver. 6.30 Project Manager	U18416E	
ID850 Ver. 3.00 Integrated Debugger	Operation	U17358E
ID850QB Ver. 3.40 Integrated Debugger	Operation	U18604E
TW850 Ver. 2.00 Performance Analysis Tuning Tool	U17241E	
SM+ System Simulator	Operation	U18601E
	User Open Interface	U18212E
RX850 Ver. 3.20 Real-Time OS	Basics	U13430E
	Installation	U17419E
	Technical	U13431E
	Task Debugger	U17420E
RX850 Pro Ver. 3.21 Real-Time OS	Basics	U18165E
	Installation	U17421E
	Technical	U13772E
	Task Debugger	U17422E
AZ850 Ver. 3.30 System Performance Analyzer	U17423E	

# CONTENTS

<b>CHAPTER 1 INTRODUCTION .....</b>	<b>20</b>
<b>1.1 General .....</b>	<b>20</b>
<b>1.2 Features.....</b>	<b>22</b>
<b>1.3 Application Fields .....</b>	<b>23</b>
<b>1.4 Ordering Information .....</b>	<b>23</b>
<b>1.5 Pin Configuration (Top View).....</b>	<b>24</b>
<b>1.6 Function Block Configuration.....</b>	<b>28</b>
1.6.1 Internal block diagram .....	28
1.6.2 Internal units .....	30
<b>CHAPTER 2 PIN FUNCTIONS.....</b>	<b>33</b>
<b>2.1 List of Pin Functions.....</b>	<b>33</b>
<b>2.2 Pin States .....</b>	<b>42</b>
<b>2.3 Pin I/O Circuit Types, I/O Buffer Power Supplies, and Connection of Unused Pins.....</b>	<b>43</b>
<b>2.4 Cautions .....</b>	<b>47</b>
<b>CHAPTER 3 CPU FUNCTION.....</b>	<b>48</b>
<b>3.1 Features.....</b>	<b>48</b>
<b>3.2 CPU Register Set.....</b>	<b>49</b>
3.2.1 Program register set .....	50
3.2.2 System register set .....	51
<b>3.3 Operation Modes .....</b>	<b>57</b>
3.3.1 Specifying operation mode .....	57
<b>3.4 Address Space .....</b>	<b>58</b>
3.4.1 CPU address space.....	58
3.4.2 Wraparound of CPU address space .....	59
3.4.3 Memory map.....	60
3.4.4 Areas .....	62
3.4.5 Recommended use of address space .....	66
3.4.6 Peripheral I/O registers.....	69
3.4.7 Programmable peripheral I/O registers.....	79
3.4.8 Special registers .....	80
3.4.9 Cautions .....	84
<b>CHAPTER 4 PORT FUNCTIONS.....</b>	<b>89</b>
<b>4.1 Features.....</b>	<b>89</b>
<b>4.2 Basic Port Configuration.....</b>	<b>89</b>
<b>4.3 Port Configuration.....</b>	<b>90</b>
4.3.1 Port 0.....	95
4.3.2 Port 1.....	98
4.3.3 Port 3.....	100
4.3.4 Port 4.....	106
4.3.5 Port 5.....	109
4.3.6 Port 7.....	113

<R>

4.3.7	Port 9 .....	115
4.3.8	Port CM .....	123
4.3.9	Port CT .....	125
4.3.10	Port DH .....	127
4.3.11	Port DL .....	129
<b>4.4</b>	<b>Block Diagrams.....</b>	<b>132</b>
<b>4.5</b>	<b>Port Register Settings When Alternate Function Is Used .....</b>	<b>168</b>
<b>4.6</b>	<b>Cautions .....</b>	<b>175</b>
4.6.1	Cautions on setting port pins .....	175
4.6.2	Cautions on bit manipulation instruction for port n register (Pn).....	178
4.6.3	Cautions on on-chip debug pins.....	179
4.6.4	Cautions on P10, P11, and P53 pins when power is turned on .....	180
4.6.5	Hysteresis characteristics .....	180
<R> 4.6.6	Cautions on separate bus mode .....	180
<b>CHAPTER 5 BUS CONTROL FUNCTION.....</b>		<b>181</b>
<b>5.1</b>	<b>Features.....</b>	<b>181</b>
<b>5.2</b>	<b>Bus Control Pins.....</b>	<b>182</b>
5.2.1	Pin status when internal ROM, internal RAM, or on-chip peripheral I/O is accessed.....	182
5.2.2	Pin status in each operation mode.....	182
<b>5.3</b>	<b>Memory Block Function.....</b>	<b>183</b>
<b>5.4</b>	<b>External Bus Interface Mode Control Function.....</b>	<b>184</b>
<b>5.5</b>	<b>Bus Access .....</b>	<b>185</b>
5.5.1	Number of clocks for access.....	185
5.5.2	Bus size setting function .....	185
5.5.3	Access by bus size .....	186
<b>5.6</b>	<b>Wait Function .....</b>	<b>193</b>
5.6.1	Programmable wait function .....	193
5.6.2	External wait function.....	194
5.6.3	Relationship between programmable wait and external wait .....	195
5.6.4	Programmable address wait function.....	196
<b>5.7</b>	<b>Idle State Insertion Function .....</b>	<b>197</b>
<b>5.8</b>	<b>Bus Hold Function.....</b>	<b>198</b>
5.8.1	Functional outline.....	198
5.8.2	Bus hold procedure.....	199
5.8.3	Operation in power save mode .....	199
<b>5.9</b>	<b>Bus Priority .....</b>	<b>200</b>
<b>5.10</b>	<b>Bus Timing .....</b>	<b>201</b>
<b>CHAPTER 6 CLOCK GENERATION FUNCTION.....</b>		<b>207</b>
<b>6.1</b>	<b>Overview.....</b>	<b>207</b>
<b>6.2</b>	<b>Configuration .....</b>	<b>208</b>
<b>6.3</b>	<b>Registers .....</b>	<b>210</b>
<b>6.4</b>	<b>Operation.....</b>	<b>215</b>
6.4.1	Operation of each clock .....	215
6.4.2	Clock output function .....	215
<b>6.5</b>	<b>PLL Function.....</b>	<b>216</b>

6.5.1	Overview .....	216
6.5.2	Registers .....	216
6.5.3	Usage .....	220
<b>CHAPTER 7 16-BIT TIMER/EVENT COUNTER P (TMP).....</b>		<b>221</b>
<b>7.1</b>	<b>Overview.....</b>	<b>221</b>
<b>7.2</b>	<b>Functions .....</b>	<b>221</b>
<b>7.3</b>	<b>Configuration.....</b>	<b>222</b>
<b>7.4</b>	<b>Registers .....</b>	<b>224</b>
<b>7.5</b>	<b>Timer Output Operations.....</b>	<b>237</b>
<b>7.6</b>	<b>Operation.....</b>	<b>238</b>
7.6.1	Interval timer mode (TPnMD2 to TPnMD0 bits = 000).....	245
7.6.2	External event count mode (TPnMD2 to TPnMD0 bits = 001).....	257
7.6.3	External trigger pulse output mode (TPnMD2 to TPnMD0 bits = 010).....	266
7.6.4	One-shot pulse output mode (TPnMD2 to TPnMD0 bits = 011) .....	278
7.6.5	PWM output mode (TPnMD2 to TPnMD0 bits = 100).....	285
7.6.6	Free-running timer mode (TPnMD2 to TPnMD0 bits = 101) .....	294
7.6.7	Pulse width measurement mode (TPnMD2 to TPnMD0 bits = 110) .....	312
<b>CHAPTER 8 16-BIT INTERVAL TIMER M (TMM).....</b>		<b>318</b>
<b>8.1</b>	<b>Overview.....</b>	<b>318</b>
<b>8.2</b>	<b>Configuration.....</b>	<b>319</b>
<b>8.3</b>	<b>Register .....</b>	<b>321</b>
<b>8.4</b>	<b>Operation.....</b>	<b>322</b>
8.4.1	Interval timer mode.....	322
8.4.2	Cautions .....	326
<b>CHAPTER 9 WATCH TIMER FUNCTIONS.....</b>		<b>327</b>
<b>9.1</b>	<b>Functions .....</b>	<b>327</b>
<b>9.2</b>	<b>Configuration.....</b>	<b>328</b>
<b>9.3</b>	<b>Control Registers .....</b>	<b>330</b>
<b>9.4</b>	<b>Operation.....</b>	<b>334</b>
9.4.1	Operation as watch timer.....	334
9.4.2	Operation as interval timer.....	335
9.4.3	Cautions .....	336
<b>CHAPTER 10 FUNCTIONS OF WATCHDOG TIMER 2.....</b>		<b>337</b>
<b>10.1</b>	<b>Functions .....</b>	<b>337</b>
<b>10.2</b>	<b>Configuration.....</b>	<b>338</b>
<b>10.3</b>	<b>Registers .....</b>	<b>339</b>
<b>10.4</b>	<b>Operation.....</b>	<b>342</b>
<b>CHAPTER 11 A/D CONVERTER.....</b>		<b>343</b>
<b>11.1</b>	<b>Overview.....</b>	<b>343</b>
<b>11.2</b>	<b>Functions .....</b>	<b>343</b>
<b>11.3</b>	<b>Configuration.....</b>	<b>344</b>

11.4	<b>Registers</b> .....	<b>347</b>
11.5	<b>Operation</b> .....	<b>358</b>
11.5.1	Basic operation .....	358
11.5.2	Conversion operation timing .....	359
11.5.3	Trigger mode .....	360
11.5.4	Operation mode .....	362
11.5.5	Power-fail compare mode .....	366
11.6	<b>Cautions</b> .....	<b>371</b>
11.7	<b>How to Read A/D Converter Characteristics Table</b> .....	<b>376</b>
<R>	<b>CHAPTER 12 D/A CONVERTER</b> .....	<b>380</b>
12.1	<b>Functions</b> .....	<b>380</b>
12.2	<b>Configuration</b> .....	<b>380</b>
12.3	<b>Registers</b> .....	<b>381</b>
12.4	<b>Operation</b> .....	<b>383</b>
12.4.1	Operation in normal mode .....	383
12.4.2	Operation in real-time output mode.....	383
12.4.3	Cautions.....	384
	<b>CHAPTER 13 ASYNCHRONOUS SERIAL INTERFACE A (UARTA)</b> .....	<b>385</b>
13.1	<b>Features</b> .....	<b>385</b>
13.2	<b>Configuration</b> .....	<b>386</b>
13.3	<b>Registers</b> .....	<b>388</b>
13.4	<b>Interrupt Request Signals</b> .....	<b>394</b>
13.5	<b>Operation</b> .....	<b>395</b>
13.5.1	Data format .....	395
13.5.2	UART transmission .....	397
13.5.3	Continuous transmission procedure.....	398
13.5.4	UART reception .....	400
13.5.5	Reception errors .....	401
13.5.6	Parity types and operations .....	403
13.5.7	Receive data noise filter.....	404
13.6	<b>Dedicated Baud Rate Generator</b> .....	<b>405</b>
13.7	<b>Cautions</b> .....	<b>413</b>
	<b>CHAPTER 14 3-WIRE VARIABLE-LENGTH SERIAL I/O (CSIB)</b> .....	<b>414</b>
14.1	<b>Mode Switching of CSIB and Other Serial Interfaces</b> .....	<b>414</b>
14.1.1	CSIB0 and I <sup>2</sup> C01 mode switching .....	414
14.2	<b>Features</b> .....	<b>415</b>
14.3	<b>Configuration</b> .....	<b>416</b>
14.4	<b>Registers</b> .....	<b>418</b>
<R>	<b>14.5 Interrupt Request Signals</b> .....	<b>426</b>
	<b>14.6 Operation</b> .....	<b>427</b>
<R>	14.6.1 Single transfer mode (master mode, transmission mode).....	427
	14.6.2 Single transfer mode (master mode, reception mode).....	429
	14.6.3 Single transfer mode (master mode, transmission/reception mode) .....	431
<R>	14.6.4 Single transfer mode (slave mode, transmission mode) .....	433

<R>	14.6.5	Single transfer mode (slave mode, reception mode) .....	435
<R>	14.6.6	Single transfer mode (slave mode, transmission/reception mode) .....	437
<R>	14.6.7	Continuous transfer mode (master mode, transmission mode) .....	439
	14.6.8	Continuous transfer mode (master mode, reception mode).....	441
	14.6.9	Continuous transfer mode (master mode, transmission/reception mode).....	444
<R>	14.6.10	Continuous transfer mode (slave mode, transmission mode).....	448
	14.6.11	Continuous transfer mode (slave mode, reception mode) .....	450
	14.6.12	Continuous transfer mode (slave mode, transmission/reception mode) .....	453
	14.6.13	Reception error.....	457
	14.6.14	Clock timing .....	458
	<b>14.7</b>	<b>Output Pins .....</b>	<b>460</b>
	<b>14.8</b>	<b>Baud Rate Generator .....</b>	<b>461</b>
	14.8.1	Baud rate generation .....	462
	<b>14.9</b>	<b>Cautions .....</b>	<b>463</b>
	<b>CHAPTER 15</b>	<b>I<sup>2</sup>C BUS.....</b>	<b>464</b>
	<b>15.1</b>	<b>Mode Switching of I<sup>2</sup>C Bus and Other Serial Interfaces .....</b>	<b>464</b>
	15.1.1	CSIB0 and I <sup>2</sup> C01 mode switching .....	464
	<b>15.2</b>	<b>Features.....</b>	<b>465</b>
	<b>15.3</b>	<b>Configuration.....</b>	<b>466</b>
	<b>15.4</b>	<b>Registers .....</b>	<b>470</b>
	<b>15.5</b>	<b>I<sup>2</sup>C Bus Mode Functions .....</b>	<b>485</b>
	15.5.1	Pin configuration.....	485
	<b>15.6</b>	<b>I<sup>2</sup>C Bus Definitions and Control Methods .....</b>	<b>486</b>
	15.6.1	Start condition.....	486
	15.6.2	Addresses .....	487
	15.6.3	Transfer direction specification .....	488
	15.6.4	$\overline{ACK}$ .....	489
	15.6.5	Stop condition.....	490
	15.6.6	Wait state .....	491
	15.6.7	Wait state cancellation method.....	493
	<b>15.7</b>	<b>I<sup>2</sup>C Interrupt Request Signals (INTIICn).....</b>	<b>494</b>
	15.7.1	Master device operation .....	495
	15.7.2	Slave device operation (when receiving slave address (address match)) .....	498
	15.7.3	Slave device operation (when receiving extension code) .....	502
	15.7.4	Operation without communication .....	506
	15.7.5	Arbitration loss operation (operation as slave after arbitration loss) .....	507
	15.7.6	Operation when arbitration loss occurs (no communication after arbitration loss).....	509
	<b>15.8</b>	<b>Interrupt Request Signal (INTIICn) Generation Timing and Wait Control .....</b>	<b>516</b>
	<b>15.9</b>	<b>Address Match Detection Method .....</b>	<b>517</b>
	<b>15.10</b>	<b>Error Detection .....</b>	<b>517</b>
	<b>15.11</b>	<b>Extension Code .....</b>	<b>518</b>
	<b>15.12</b>	<b>Arbitration .....</b>	<b>519</b>
	<b>15.13</b>	<b>Wakeup Function .....</b>	<b>520</b>
	<b>15.14</b>	<b>Communication Reservation .....</b>	<b>521</b>
	15.14.1	When communication reservation function is enabled (IICFn.IICRSVn bit = 0).....	521
	15.14.2	When communication reservation function is disabled (IICFn.IICRSVn bit = 1) .....	525

15.15	<b>Cautions</b> .....	<b>526</b>
15.16	<b>Communication Operations</b> .....	<b>527</b>
15.16.1	<b>Master operation in single master system</b> .....	528
15.16.2	Master operation in multimaster system .....	529
15.16.3	Slave operation .....	532
15.17	<b>Timing of Data Communication</b> .....	<b>536</b>
<b>CHAPTER 16 IEBus CONTROLLER</b> .....		<b>543</b>
16.1	<b>Functions</b> .....	<b>543</b>
16.1.1	Communication protocol of IEBus .....	543
16.1.2	Determination of bus mastership (arbitration) .....	544
16.1.3	Communication mode .....	544
16.1.4	Communication address .....	544
16.1.5	Broadcast communication .....	545
16.1.6	Transfer format of IEBus .....	545
16.1.7	Transfer data .....	555
16.1.8	Bit format .....	557
16.2	<b>Configuration</b> .....	<b>558</b>
16.3	<b>Registers</b> .....	<b>560</b>
16.4	<b>Interrupt Operations of IEBus Controller</b> .....	<b>591</b>
16.4.1	Interrupt control block .....	591
16.4.2	Example of identifying interrupt .....	594
16.4.3	Interrupt source list .....	597
16.4.4	Communication error source processing list .....	598
16.5	<b>Interrupt Request Signal Generation Timing and Main CPU Processing</b> .....	<b>600</b>
16.5.1	Master transmission .....	600
16.5.2	Master reception .....	602
16.5.3	Slave transmission .....	604
16.5.4	Slave reception .....	606
16.5.5	Interval of occurrence of interrupt request signal for IEBus control .....	608
<R>	<b>CHAPTER 17 CAN CONTROLLER</b> .....	<b>612</b>
17.1	<b>Overview</b> .....	<b>612</b>
17.1.1	Features .....	612
17.1.2	Overview of functions .....	613
17.1.3	Configuration .....	614
17.2	<b>CAN Protocol</b> .....	<b>615</b>
17.2.1	Frame format .....	615
17.2.2	Frame types .....	616
17.2.3	Data frame and remote frame .....	616
17.2.4	Error frame .....	624
17.2.5	Overload frame .....	625
17.3	<b>Functions</b> .....	<b>626</b>
17.3.1	Determining bus priority .....	626
17.3.2	Bit stuffing .....	626
17.3.3	Multi masters .....	626
17.3.4	Multi cast .....	626



17.3.5	CAN sleep mode/CAN stop mode function.....	627
17.3.6	Error control function .....	627
17.3.7	Baud rate control function.....	632
<b>17.4</b>	<b>Connection with Target System .....</b>	<b>636</b>
<b>17.5</b>	<b>Internal Registers of CAN Controller .....</b>	<b>637</b>
17.5.1	CAN controller configuration.....	637
17.5.2	Register access type .....	638
17.5.3	Register bit configuration.....	655
<b>17.6</b>	<b>Registers .....</b>	<b>659</b>
<b>17.7</b>	<b>Bit Set/Clear Function.....</b>	<b>692</b>
<b>17.8</b>	<b>CAN Controller Initialization .....</b>	<b>694</b>
17.8.1	Initialization of CAN module.....	694
17.8.2	Initialization of message buffer .....	694
17.8.3	Redefinition of message buffer.....	694
17.8.4	Transition from initialization mode to operation mode.....	696
17.8.5	Resetting error counter C0ERC of CAN module.....	696
<b>17.9</b>	<b>Message Reception.....</b>	<b>697</b>
17.9.1	Message reception .....	697
17.9.2	Reading reception data.....	698
17.9.3	Receive history list function .....	699
17.9.4	Mask function .....	701
17.9.5	Multi buffer receive block function .....	703
17.9.6	Remote frame reception .....	704
<b>17.10</b>	<b>Message Transmission.....</b>	<b>705</b>
17.10.1	Message transmission.....	705
17.10.2	Transmit history list function .....	707
17.10.3	Automatic block transmission (ABT).....	709
17.10.4	Transmission abort process.....	710
17.10.5	Remote frame transmission.....	711
<b>17.11</b>	<b>Power Saving Modes .....</b>	<b>712</b>
17.11.1	CAN sleep mode .....	712
17.11.2	CAN stop mode .....	714
17.11.3	Example of using power saving modes .....	715
<b>17.12</b>	<b>Interrupt Function .....</b>	<b>716</b>
<b>17.13</b>	<b>Diagnosis Functions and Special Operational Modes .....</b>	<b>717</b>
17.13.1	Receive-only mode.....	717
17.13.2	Single-shot mode.....	718
17.13.3	Self-test mode .....	719
17.13.4	Transmission/reception operation in each operation mode .....	720
<b>17.14</b>	<b>Baud Rate Settings .....</b>	<b>721</b>
17.14.1	Bit rate setting conditions .....	721
17.14.2	Representative examples of baud rate settings.....	725
<b>17.15</b>	<b>Operation of CAN Controller .....</b>	<b>729</b>
<R>	<b>CHAPTER 18 DMA FUNCTION (DMA CONTROLLER).....</b>	<b>755</b>
<b>18.1</b>	<b>Features.....</b>	<b>755</b>
<b>18.2</b>	<b>Configuration.....</b>	<b>756</b>

18.3	Registers .....	757
18.4	Transfer Targets .....	765
18.5	Transfer Modes .....	765
18.6	Transfer Types .....	766
18.7	DMA Channel Priorities.....	767
18.8	Time Related to DMA Transfer .....	767
18.9	DMA Transfer Start Factors.....	768
18.10	DMA Abort Factors.....	769
18.11	End of DMA Transfer .....	769
18.12	Operation Timing.....	769
18.13	Cautions .....	774
<b>CHAPTER 19 INTERRUPT/EXCEPTION PROCESSING FUNCTION.....</b>		<b>779</b>
19.1	Features.....	779
19.2	<b>Non-Maskable Interrupts .....</b>	<b>783</b>
19.2.1	Operation .....	785
19.2.2	Restoration .....	786
19.2.3	NP flag.....	787
19.3	<b>Maskable Interrupts.....</b>	<b>788</b>
19.3.1	Operation .....	788
19.3.2	Restoration .....	790
19.3.3	Priorities of maskable interrupts.....	791
19.3.4	Interrupt control register (xxICn) .....	795
19.3.5	Interrupt mask registers 0 to 3 (IMR0 to IMR3).....	797
19.3.6	In-service priority register (ISPR).....	799
19.3.7	ID flag .....	800
19.3.8	Watchdog timer mode register 2 (WDTM2) .....	800
19.4	<b>Software Exception .....</b>	<b>801</b>
19.4.1	Operation.....	801
19.4.2	Restoration .....	802
19.4.3	EP flag .....	803
19.5	<b>Exception Trap.....</b>	<b>804</b>
19.5.1	Illegal opcode definition .....	804
19.5.2	Debug trap .....	806
19.6	<b>External Interrupt Request Input Pins (NMI and INTP0 to INTP7) .....</b>	<b>808</b>
19.6.1	Noise elimination .....	808
19.6.2	Edge detection.....	808
19.7	<b>Interrupt Acknowledge Time of CPU .....</b>	<b>813</b>
19.8	<b>Periods in Which Interrupts Are Not Acknowledged by CPU .....</b>	<b>815</b>
19.9	<b>Cautions .....</b>	<b>815</b>
<b>CHAPTER 20 KEY INTERRUPT FUNCTION .....</b>		<b>816</b>
20.1	Function.....	816
20.2	Register .....	817
20.3	Cautions .....	817
<b>CHAPTER 21 STANDBY FUNCTION .....</b>		<b>818</b>

<b>21.1</b>	<b>Overview</b> .....	<b>818</b>
<b>21.2</b>	<b>Registers</b> .....	<b>820</b>
<b>21.3</b>	<b>HALT Mode</b> .....	<b>823</b>
21.3.1	Setting and operation status .....	823
21.3.2	Releasing HALT mode .....	823
<b>21.4</b>	<b>IDLE1 Mode</b> .....	<b>825</b>
21.4.1	Setting and operation status .....	825
21.4.2	Releasing IDLE1 mode.....	825
<b>21.5</b>	<b>IDLE2 Mode</b> .....	<b>827</b>
21.5.1	Setting and operation status .....	827
21.5.2	Releasing IDLE2 mode.....	827
21.5.3	Securing setup time when releasing IDLE2 mode .....	829
<b>21.6</b>	<b>STOP Mode</b> .....	<b>830</b>
21.6.1	Setting and operation status .....	830
21.6.2	Releasing STOP mode.....	830
21.6.3	Securing oscillation stabilization time when releasing STOP mode.....	833
<b>21.7</b>	<b>Subclock Operation Mode</b> .....	<b>834</b>
21.7.1	Setting and operation status .....	834
21.7.2	Releasing subclock operation mode .....	834
<b>21.8</b>	<b>Sub-IDLE Mode</b> .....	<b>836</b>
21.8.1	Setting and operation status .....	836
21.8.2	Releasing sub-IDLE mode.....	836
<b>CHAPTER 22 RESET FUNCTIONS</b> .....		<b>838</b>
<b>22.1</b>	<b>Overview</b> .....	<b>838</b>
<b>22.2</b>	<b>Registers to Check Reset Source</b> .....	<b>839</b>
<b>22.3</b>	<b>Operation</b> .....	<b>840</b>
22.3.1	Reset operation via $\overline{\text{RESET}}$ pin .....	840
22.3.2	Reset operation by watchdog timer 2 (WDT2RES) .....	842
22.3.3	Reset operation by clock monitor (CLMRES) .....	844
22.3.4	Operation after reset release .....	846
22.3.5	Reset function operation flow .....	847
<b>22.4</b>	<b>Valid/Invalid of Internal RAM Data</b> .....	<b>848</b>
22.4.1	RAM retention voltage detection operation.....	849
22.4.2	Emulation function .....	850
<b>CHAPTER 23 CLOCK MONITOR</b> .....		<b>851</b>
<b>23.1</b>	<b>Functions</b> .....	<b>851</b>
<b>23.2</b>	<b>Configuration</b> .....	<b>851</b>
<b>23.3</b>	<b>Register</b> .....	<b>852</b>
<b>23.4</b>	<b>Operation</b> .....	<b>853</b>
<b>CHAPTER 24 REGULATOR</b> .....		<b>856</b>
<b>24.1</b>	<b>Outline</b> .....	<b>856</b>
<b>24.2</b>	<b>Operation</b> .....	<b>857</b>
<b>CHAPTER 25 ROM CORRECTION FUNCTION</b> .....		<b>858</b>

<R>

25.1	Overview .....	858
25.2	Registers .....	859
25.3	ROM Correction Operation and Program Flow .....	860
25.4	Cautions .....	862
<b>CHAPTER 26 ELECTRICAL SPECIFICATIONS .....</b>		<b>863</b>
26.1	Absolute Maximum Ratings .....	863
26.2	Capacitance.....	865
26.3	Operating Conditions .....	865
26.4	Oscillator Characteristics .....	866
26.4.1	Main clock oscillator characteristics .....	866
26.4.2	Subclock oscillator characteristics .....	869
26.4.3	PLL characteristics .....	870
26.4.4	Internal oscillator characteristics.....	870
26.5	Regulator Characteristics.....	870
26.6	DC Characteristics .....	871
26.6.1	I/O level .....	871
26.6.2	Supply current.....	873
26.7	Data Retention Characteristics .....	874
26.8	AC Characteristics .....	875
26.8.1	CLKOUT output timing.....	876
26.8.2	Bus timing.....	877
26.9	Basic Operation .....	890
<b>CHAPTER 27 PACKAGE DRAWING .....</b>		<b>898</b>
<b>CHAPTER 28 RECOMMENDED SOLDERING CONDITIONS.....</b>		<b>900</b>
<b>APPENDIX A DEVELOPMENT TOOLS.....</b>		<b>901</b>
A.1	Software Package.....	906
A.2	Language Processing Software.....	906
A.3	Control Software.....	906
A.4	Debugging Tools (Hardware) .....	907
A.4.1	When using in-circuit emulator IE-V850ES-G1 .....	907
A.4.2	When using IECUBE QB-V850ESSX2 .....	909
<R>	A.4.3 When using on-chip debug emulator IE-V850E1-CD-NW.....	912
<R>	A.4.4 When using MINICUBE QB-V850MINI .....	913
A.5	Debugging Tools (Software).....	914
A.6	Embedded Software .....	915
A.7	Flash Memory Writing Tools .....	916
<b>APPENDIX B MAJOR DIFFERENCES BETWEEN V850ES/SG1 (<math>\mu</math>PD703249Y, 703252Y) AND V850ES/SG1 (<math>\mu</math>PD703253Y) AND V850ES/SG2 (<math>\mu</math>PD70F3261Y, 70F3271Y, 70F3281Y).....</b>		<b>917</b>
<b>APPENDIX C REGISTER INDEX .....</b>		<b>919</b>

	<b>APPENDIX D INSTRUCTION SET LIST .....</b>	<b>929</b>
	<b>D.1 Conventions.....</b>	<b>929</b>
	<b>D.2 Instruction Set (in Alphabetical Order) .....</b>	<b>932</b>
<R>	<b>APPENDIX E LIST OF CAUTIONS.....</b>	<b>939</b>
<R>	<b>APPENDIX F REVISION HISTORY .....</b>	<b>972</b>
	<b>F.1 Major Revisions in This Edition.....</b>	<b>972</b>

## CHAPTER 1 INTRODUCTION

The V850ES/SG1 is one of the products in the NEC Electronics V850 single-chip microcontrollers designed for low-power operation for real-time control applications.

### 1.1 General

The V850ES/SG1 is a 32-bit single-chip microcontroller that includes the V850ES CPU core and peripheral functions such as ROM/RAM, a timer/counter, serial interfaces, an A/D converter, and a D/A converter. <R> The V850ES/SG1 is provided with IEBus™ (Inter Equipment Bus™) or CAN (Controller Area Network) as an automotive LAN.

In addition to high real-time response characteristics and 1-clock-pitch basic instructions, the V850ES/SG1 features multiply instructions, saturated operation instructions, bit manipulation instructions, etc., realized by a hardware multiplier, as optimum instructions for digital servo control applications. Moreover, as a real-time control system, the V850ES/SG1 enables an extremely high cost-performance for applications that require low power consumption, such as audio and car audio.

Table 1-1 lists the products of the V850ES/SG1.

**Table 1-1. V850ES/SG1 Product List**

Function Part Number	ROM		RAM Size	T <sup>o</sup> C	IEBus	CAN	Maskable Interrupts		Non-Maskable Interrupts
	Type	Size					External	Internal	
$\mu$ PD703249Y	Mask ROM	256 KB	12 KB	On-chip	None	None	8	31	2
$\mu$ PD703252Y					On-chip			35	
$\mu$ PD703253Y		128 KB	8 KB		None	On-chip		42	

The V850ES/SG2 can be used as the flash memory version for developing the V850ES/SG1 software. Use the V850ES/SG2 (flash memory version) corresponding to the V850ES/SG1 (mask ROM version) as shown below.

- For the flash memory version of the  $\mu$ PD703249Y: Use the  $\mu$ PD70F3261Y.
- For the flash memory version of the  $\mu$ PD703252Y: Use the  $\mu$ PD70F3271Y.
- <R> • For the flash memory version of the  $\mu$ PD703253Y: Use the  $\mu$ PD70F3281Y.

<R> The following table lists the differences between the V850ES/SG1 and V850ES/SG2 ( $\mu$ PD70F3261Y, 70F3271Y, 70F3281Y).

<R> **Table 1-2. Differences Between V850ES/SG1 and V850ES/SG2 ( $\mu$ PD70F3261Y,  $\mu$ PD70F3271Y,  $\mu$ PD70F3281Y)**

Function		$\mu$ PD703249Y	$\mu$ PD703252Y	$\mu$ PD703253Y	$\mu$ PD70F3261Y	$\mu$ PD70F3271Y	$\mu$ PD70F3281Y
		V850ES/SG1			V850ES/SG2		
ROM		256 KB (mask ROM)		128 KB (mask ROM)	384 KB (flash memory)		
RAM		12 KB		8 KB	32 KB		
Timer	TMP	5 ch		6 ch			
	TMQ	None			1 ch		
	TMM	1 ch					
	Watch timer	1 ch					
	WDT2	1 ch					
RTO		None			Provided (6 bits $\times$ 1 ch)		
Serial interface	UARTA	2 ch			3 ch		
	I <sup>2</sup> C	2 ch			3 ch		
	CSIB	3 ch			5 ch		
IEBus controller		None	Provided (1 ch)	None		Provided (1 ch)	None
CAN controller		None		Provided (1 ch)	None		Provided (1 ch)
	Time stamp function	None					Provided
Internal maskable interrupt		31 sources	35 sources	42 sources	47 sources	51 sources	
D/A converter		None		Provided (8 bit resolution $\times$ 2 ch)			
DMA controller		None		Provided (4 ch)			
CRC function		None			Provided		
On-chip debug function		None			Provided		
Low-voltage detector		None		None (RAM retention voltage detection function is provided)		Provided	

**Remark** For details on the flash memory versions, refer to the **V850ES/SG2, V850ES/SG2-H Hardware User's Manual (U16541E)**.

## 1.2 Features

- Minimum instruction execution time: 50 ns (operating with main clock (f<sub>xx</sub>) of 20 MHz)
- General-purpose registers: 32 bits × 32 registers
- CPU features:
  - Signed multiplication (16 × 16 → 32): 1 to 2 clocks
  - Signed multiplication (32 × 32 → 64): 1 to 5 clocks
  - Saturated operations (overflow and underflow detection functions included)
  - 32-bit shift instruction: 1 clock
  - Bit manipulation instructions
  - Load/store instructions with long/short format
- Memory space:
  - 64 MB of linear address space (for programs and data)
  - External expansion: Up to 16 MB
- <R>
  - Internal memory:
    - RAM: 8/12 KB (see **Table 1-1**)
    - Mask ROM: 128/256 KB (see **Table 1-1**)
  - External bus interface:
    - Separate bus/multiplexed bus output selectable
    - 8/16 bit data bus sizing function
    - Wait function
      - Programmable wait function
      - External wait function
    - Idle state function
    - Bus hold function
- Interrupts and exceptions:
  - Non-maskable interrupts: 2 sources
  - Maskable interrupts: 39/43/50 sources (see **Table 1-1**)
  - Software exceptions: 32 sources
  - Exception trap: 2 sources
- <R>
  - I/O lines: I/O ports: 84
  - Timer function:
    - 16-bit interval timer M (TMM): 1 channel
    - 16-bit timer/event counter P (TMP): 5/6 channels (see **Table 1-2**)
    - Watch timer: 1 channel
    - Watchdog timer: 1 channel
- Serial interface:
  - Asynchronous serial interface A (UARTA)
  - 3-wire variable-length serial interface B (CSIB)
  - I<sup>2</sup>C bus interface (I<sup>2</sup>C)
    - CSIB/I<sup>2</sup>C: 1 channel
    - CSIB: 2 channels
    - UART: 2 channels
    - I<sup>2</sup>C: 1 channel
- IEBus controller: 1 channel (μPD703252Y only)
- <R> ○ CAN controller: 1 channel (μPD703253Y only)
- A/D converter: 10-bit resolution: 12 channels
- <R> ○ D/A converter: 8-bit resolution: 2 channels (μPD703253Y only)
- <R> ○ DMA controller: 4 channels (μPD703253Y only)
- ROM correction: 4 correction addresses specifiable
- Clock generator:
  - During main clock or subclock operation
  - 7-level CPU clock (f<sub>xx</sub>, f<sub>xx</sub>/2, f<sub>xx</sub>/4, f<sub>xx</sub>/8, f<sub>xx</sub>/16, f<sub>xx</sub>/32, f<sub>xT</sub>)
  - Clock-through mode/PLL mode selectable
- Internal oscillation clock: 200 kHz (TYP.)
- Power-save functions: HALT/IDLE1/IDLE2/STOP/subclock/sub-IDLE mode



- Package: 100-pin plastic QFP (14 × 20) ( $\mu$ PD703249Y, 703252Y only (see **1.4 Ordering Information**))  
100-pin plastic LQFP (fine pitch) (14 × 14)

### 1.3 Application Fields

Audio, car audio, consumer devices

<R>

### 1.4 Ordering Information

Order Number	Package	Internal ROM
$\mu$ PD703249YGF-xxx-JBT-A	100-pin plastic QFP (14 × 20)	256 KB (mask ROM)
$\mu$ PD703249YGC-xxx-8EA-A	100-pin plastic LQFP (fine pitch) (14 × 14)	256 KB (mask ROM)
$\mu$ PD703252YGF-xxx-JBT-A	100-pin plastic QFP (14 × 20)	256 KB (mask ROM)
$\mu$ PD703252YGC-xxx-8EA-A	100-pin plastic LQFP (fine pitch) (14 × 14)	256 KB (mask ROM)
$\mu$ PD703253YGC-xxx-8EA-A	100-pin plastic LQFP (fine pitch) (14 × 14)	128 KB (mask ROM)

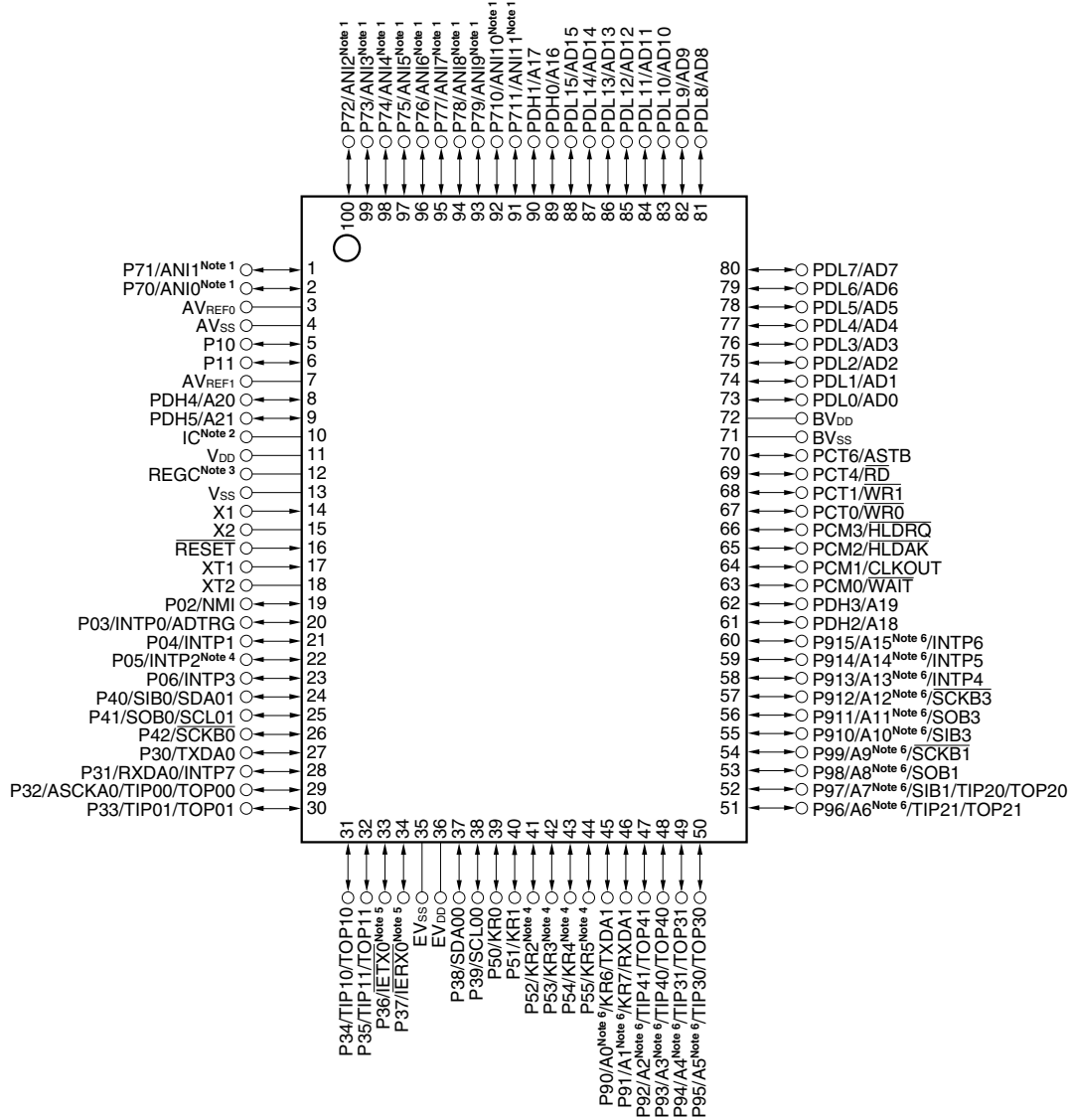
- Remarks**
1. xxx indicates the ROM code suffix.
  2. The V850ES/SG1 microcontrollers are lead-free products.

### 1.5 Pin Configuration (Top View)

- 100-pin plastic QFP (14 × 20)

<R>  $\mu$ PD703249YGF-xxx-JBT-A

<R>  $\mu$ PD703252YGF-xxx-JBT-A



<R> **Notes 1.** To use port 7 (P70/ANI0 to P711/ANI11) as A/D converter function pins and port I/O pins in mix, be sure to observe usage cautions (refer to **11.6 (4) Alternate I/O**).

**2.** Directly connect this pin to V<sub>SS</sub>.

**3.** Connect the REGC pin to V<sub>SS</sub> via a 4.7  $\mu$ F capacitor.

**4.** This pin functions alternately as the on-chip debug function pin in the flash memory versions (V850ES/SG2 ( $\mu$ PD70F3261Y, 70F3271Y)).

**5.** IETX0 and IERX0 are valid only in the  $\mu$ PD703252Y.

<R> **6.** Port 9 cannot be used as port pins or other alternate-function pins when the A0 to A15 pins are used in the separate bus mode.

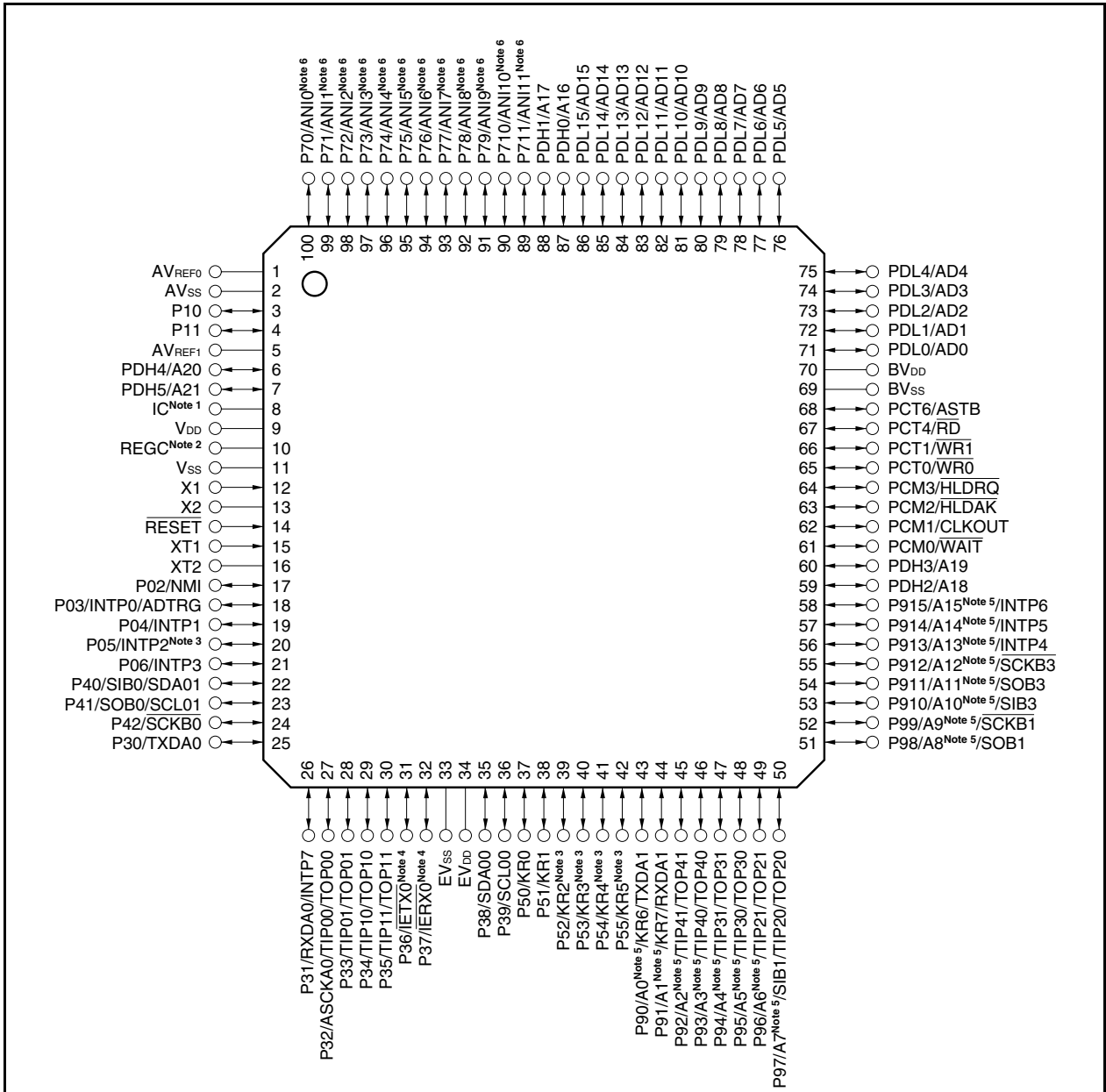
- 100-pin plastic LQFP (fine pitch) (14 × 14) (1/2)

<R>

μPD703249YGC-xxx-8EA-A

<R>

μPD703252YGC-xxx-8EA-A

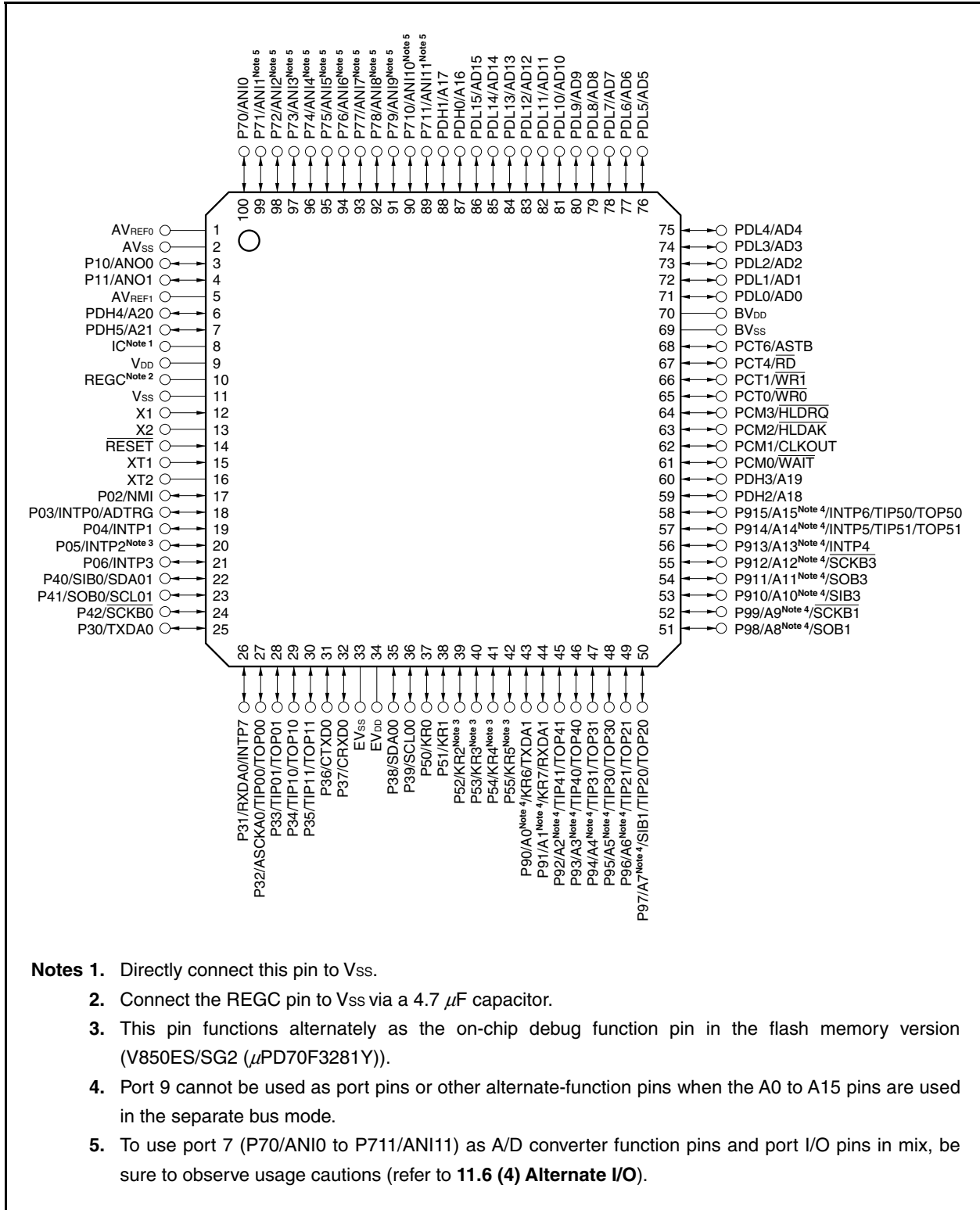


- Notes**
1. Directly connect this pin to Vss.
  2. Connect the REGC pin to Vss via a 4.7 μF capacitor.
  3. This pin functions alternately as the on-chip debug function pin in the flash memory versions (V850ES/SG2 (μPD70F3261Y, μPD70F3271Y)).
  4. IETX0 and IERX0 are valid only in the μPD703252Y.
  5. Port 9 cannot be used as port pins or other alternate-function pins when the A0 to A15 pins are used in the separate bus mode.
  6. To use port 7 (P70/ANI0 to P711/ANI11) as A/D converter function pins and port I/O pins in mix, be sure to observe usage cautions (refer to 11.6 (4) Alternate I/O).

<R>

<R>

- <R> • 100-pin plastic LQFP (fine pitch) (14 × 14) (2/2)  
 $\mu$ PD703253YGC-xxx-8EA-A



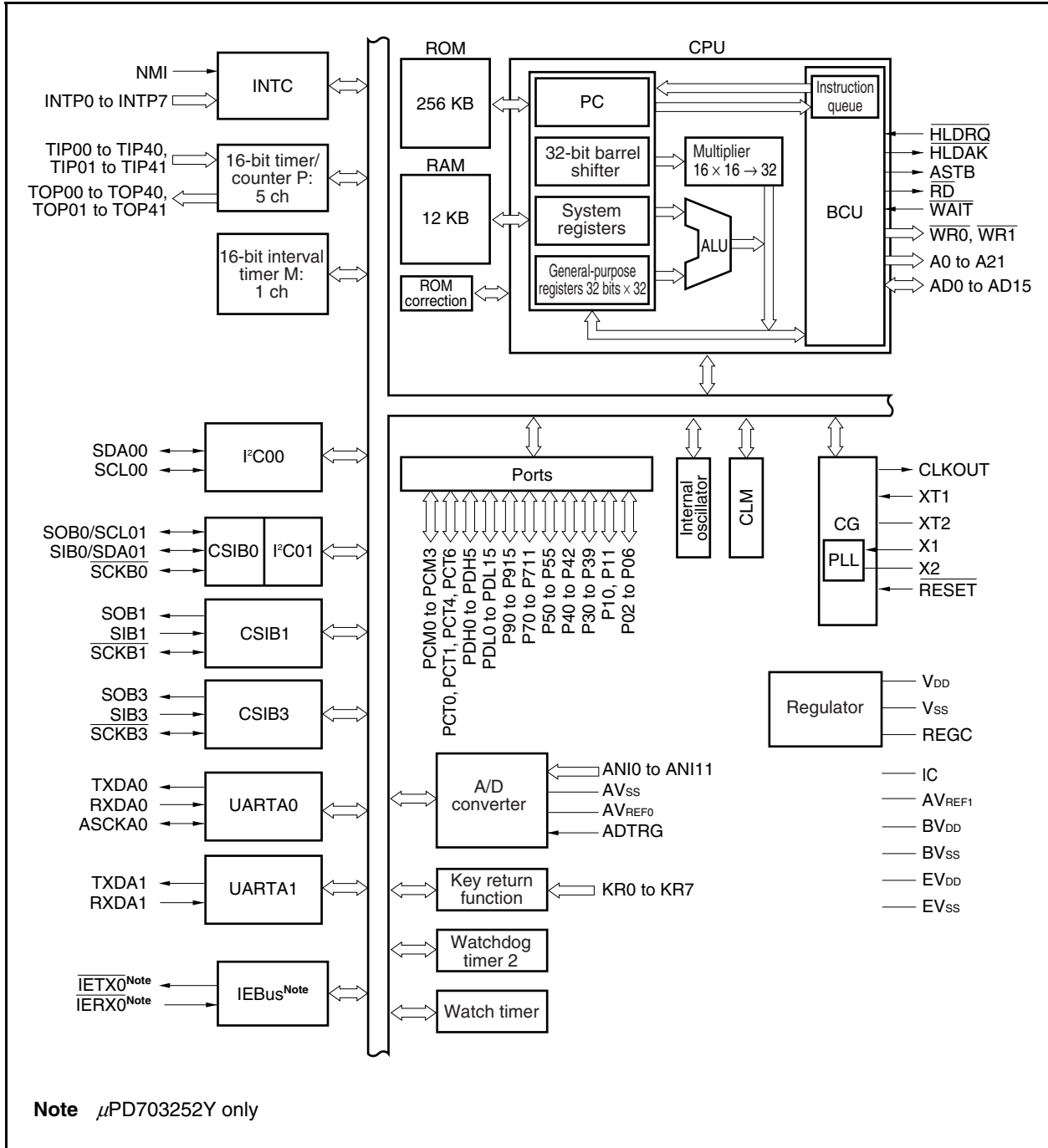
**Pin names**

A0 to A21:	Address bus	PDH0 to PDH5:	Port DH
AD0 to AD15:	Address/data bus	PDL0 to PDL15:	Port DL
ADTRG:	A/D trigger input	$\overline{RD}$ :	Read strobe
ANI0 to ANI11:	Analog input	REGC:	Regulator control
ANO0, ANO1:	Analog output	RESET:	Reset
ASCKA0:	Asynchronous serial clock	RXDA0, RXDA1:	Receive data
ASTB:	Address strobe	$\overline{SCKB0}$ , $\overline{SCKB1}$ ,	
AVREF0, AVREF1:	Analog reference voltage	$\overline{SCKB3}$ :	Serial clock
AVSS:	Analog V <sub>ss</sub>	SCL00, SCL01:	Serial clock
BVDD:	Power supply for bus interface	SDA00, SDA01:	Serial data
BVSS:	Ground for bus interface	SIB0, SIB1,	
CLKOUT:	Clock output	SIB3:	Serial input
CRXD0:	CAN receive data	SOB0, SOB1,	
CTXD0:	CAN transmit data	SOB3:	Serial output
EVDD:	Power supply for port	TIP00, TIP01,	
EVSS:	Ground for port	TIP10, TIP11,	
$\overline{HLDK}$ :	Hold acknowledge	TIP20, TIP21,	
$\overline{HLDRQ}$ :	Hold request	TIP30, TIP31,	
IC:	Internally connected	TIP40, TIP41,	
$\overline{IERX0}$ :	IEBus receive data	TIP50, TIP51:	Timer input
$\overline{IETX0}$ :	IEBus transmit data	TOP00, TOP01,	
INTP0 to INTP7:	External interrupt input	TOP10, TOP11,	
KR0 to KR7:	Key return	TOP20, TOP21,	
NMI:	Non-maskable interrupt request	TOP30, TOP31,	
P02 to P06:	Port 0	TOP40, TOP41,	
P10, P11:	Port 1	TOP50, TOP51:	Timer output
P30 to P39:	Port 3	TXDA0, TXDA1:	Transmit data
P40 to P42:	Port 4	V <sub>DD</sub> :	Power supply
P50 to P55:	Port 5	V <sub>SS</sub> :	Ground
P70 to P711:	Port 7	$\overline{WAIT}$ :	Wait
P90 to P915:	Port 9	$\overline{WR0}$ :	Lower byte write strobe
PCM0 to PCM3:	Port CM	$\overline{WR1}$ :	Upper byte write strobe
PCT0, PCT1,		X1, X2:	Crystal for main clock
PCT4, PCT6:	Port CT	XT1, XT2:	Crystal for subclock

1.6 Function Block Configuration

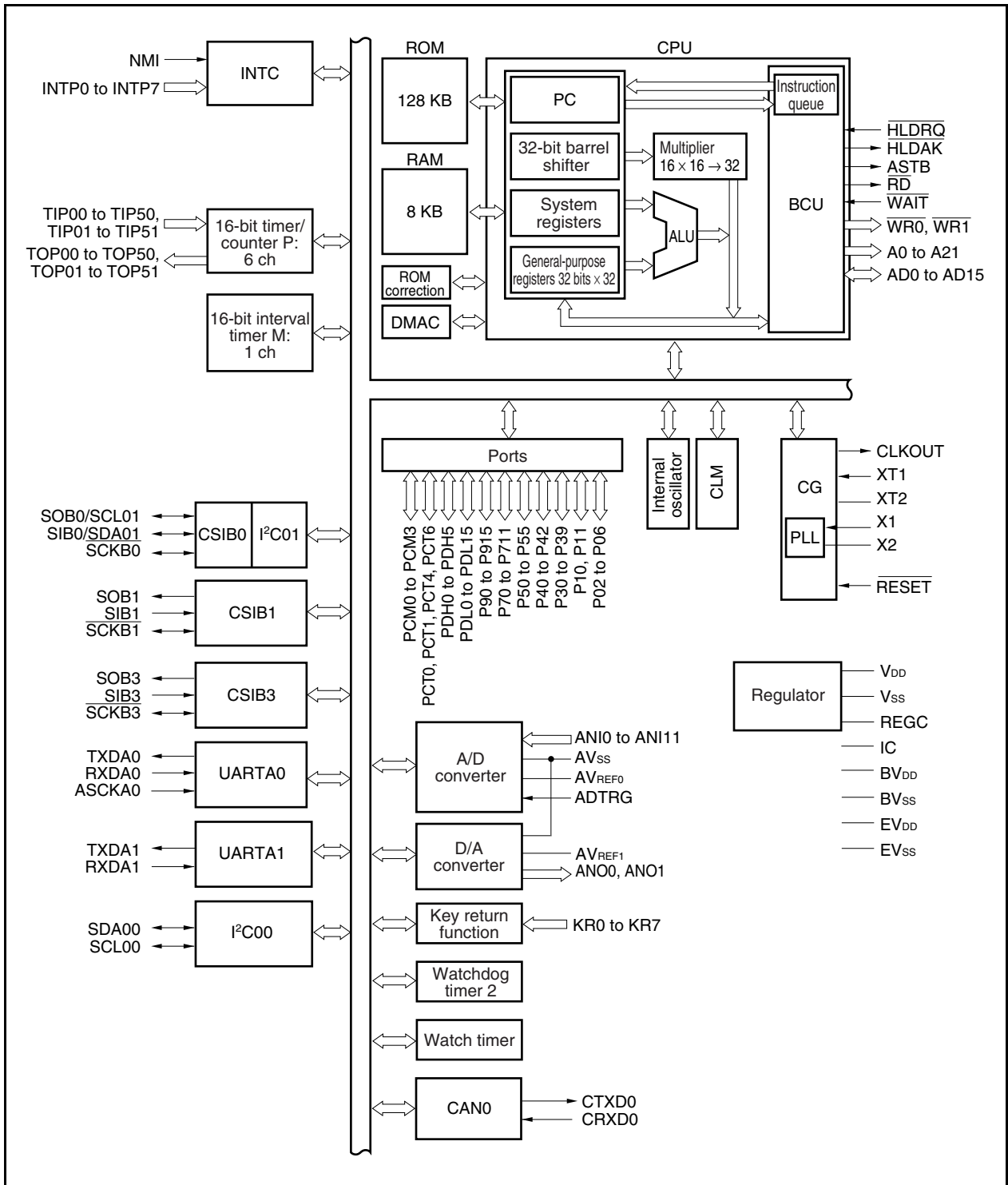
1.6.1 Internal block diagram

(1)  $\mu$ PD703249Y, 703252Y



<R>

(2)  $\mu$ PD703253Y



## 1.6.2 Internal units

### (1) CPU

The CPU uses five-stage pipeline control to enable single-clock execution of address calculations, arithmetic logic operations, data transfers, and almost all other instruction processing.

Other dedicated on-chip hardware, such as a multiplier (16 bits  $\times$  16 bits  $\rightarrow$  32 bits) and a barrel shifter (32 bits) contribute to faster complex processing.

### (2) Bus control unit (BCU)

The BCU starts a required external bus cycle based on the physical address obtained by the CPU. When an instruction is fetched from external memory space and the CPU does not send a bus cycle start request, the BCU generates a prefetch address and prefetches the instruction code. The prefetched instruction code is stored in an instruction queue.

### (3) ROM

<R> This is a 256/128 KB mask ROM mapped to addresses 0000000H to 003FFFFH/0000000H to 001FFFFH. It can be accessed from the CPU in one clock during instruction fetch.

### (4) RAM

<R> This is an 12/8 KB RAM mapped to addresses 3FFC000H to 3FFEFFFH/3FFD000H to 3FFEFFFH. It can be accessed from the CPU in one clock during data access.

### (5) Interrupt controller (INTC)

This controller handles hardware interrupt requests (NMI, INTP0 to INTP7) from on-chip peripheral hardware and external hardware. Eight levels of interrupt priorities can be specified for these interrupt requests, and multiplexed servicing control can be performed.

### (6) Clock generator (CG)

A main clock oscillator and subclock oscillator are provided and generate the main clock oscillation frequency ( $f_x$ ) and subclock frequency ( $f_{XT}$ ), respectively. There are two modes: In the clock-through mode,  $f_x$  is used as the main clock frequency ( $f_{XX}$ ) as is. In the PLL mode,  $f_x$  is used multiplied by 4 or 8.

The CPU clock frequency ( $f_{CPU}$ ) can be selected from among  $f_{XX}$ ,  $f_{XX}/2$ ,  $f_{XX}/4$ ,  $f_{XX}/8$ ,  $f_{XX}/16$ ,  $f_{XX}/32$ , and  $f_{XT}$ .

### (7) Internal oscillator

An internal oscillator is provided on chip. The oscillation frequency is 200 kHz (TYP). The internal oscillator supplies the clock for watchdog timer 2 and timer M.

### (8) Timer/counter

<R> Six/five-channel 16-bit timer/event counter P (TMP) and one-channel 16-bit interval timer M (TMM) are provided on chip.

### (9) Watch timer

This timer counts the reference time period (0.5 s) for counting the clock (the 32.768 kHz subclock or the 32.768 kHz clock  $f_{BRG}$  from prescaler 3). The watch timer can also be used as an interval timer for the main clock.



**(10) Watchdog timer 2**

A watchdog timer is provided on chip to detect inadvertent program loops, system abnormalities, etc.

The internal oscillation clock, the main clock, or the subclock can be selected as the source clock.

Watchdog timer 2 generates a non-maskable interrupt request signal (INTWDT2) or a system reset signal (WDT2RES) after an overflow occurs.

**(11) Serial interface**

The V850ES/SG1 includes three kinds of serial interfaces: asynchronous serial interface A (UARTA), 3-wire variable-length serial interface B (CSIB), and an I<sup>2</sup>C bus interface (I<sup>2</sup>C).

In the case of UARTA, data is transferred via the TXDA0, TXDA1, RXDA0, and RXDA1 pins.

In the case of CSIB, data is transferred via the SOB0, SOB1, SOB3, SIB0, SIB1, SIB3,  $\overline{\text{SCKB0}}$ ,  $\overline{\text{SCKB1}}$ , and  $\overline{\text{SCKB3}}$  pins.

In the case of I<sup>2</sup>C, data is transferred via the SDA00, SDA01, SCL00, and SCL01 pins.

**(12) IEBus controller**

The IEBus controller is a small-scale digital data transmission system for transferring data between units.

The IEBus controller is provided only in the  $\mu$ PD703252Y (see **Table 1-1**).

&lt;R&gt;

**(13) CAN controller**

The CAN controller is a small-scale digital data transmission system for transferring data between units.

The CAN controller is provided only in the  $\mu$ PD703253Y (see **Table 1-1**).

**(14) A/D converter**

This 10-bit A/D converter includes 12 analog input pins. Conversion is performed using the successive approximation method.

&lt;R&gt;

**(15) D/A converter**

A two-channel, 8-bit-resolution D/A converter that uses the R-2R ladder method is provided on chip.

The D/A converter is provided only in the  $\mu$ PD703253Y (see **Table 1-2**).

&lt;R&gt;

**(16) DMA controller**

A 4-channel DMA controller is provided on chip. This controller transfers data between the internal RAM and on-chip peripheral I/O devices in response to interrupt requests sent by on-chip peripheral I/O.

The DMA controller is provided only in the  $\mu$ PD703253Y (see **Table 1-2**).

**(17) ROM correction**

A ROM correction function that replaces part of a program in the mask ROM with a program in the internal RAM is provided. Up to four correction addresses can be specified.

**(18) Key interrupt function**

A key interrupt request signal (INTKR) can be generated by inputting a falling edge to the key input pins (8 channels).

**(19) On-chip debug function**

The V850ES/SG1 is not provided with an on-chip debug function. However, an on-chip debug function can be used when the V850ES/SG2 ( $\mu$ PD70F3261Y, 70F3271Y, 70F3281Y) is used as the flash memory version for developing software. For details, refer to the **V850ES/SG2, V850ES/SG2-H Hardware User's Manual (U16541E)**.

&lt;R&gt;

**(20) Ports**

The following general-purpose port functions and control pin functions are available.

Port	I/O	Alternate Function
P0	5-bit I/O	NMI, external interrupt, A/D converter trigger
P1	2-bit I/O	D/A converter analog output <sup>Note 1</sup>
P3	10-bit I/O	External interrupt, serial interface, timer I/O, IEBus data I/O <sup>Note 2</sup> , CAN data I/O <sup>Note 1</sup>
P4	3-bit I/O	Serial interface
P5	6-bit I/O	Key interrupt input
P7	12-bit I/O	A/D converter analog input
P9	16-bit I/O	External address bus, serial interface, key interrupt input, timer I/O, external interrupt
PCM	4-bit I/O	External control signal
PCT	4-bit I/O	External control signal
PDH	6-bit I/O	External address bus
PDL	16-bit I/O	External address/data bus

<R>

<R>

<R>

<R>

**Notes** 1.  $\mu$ PD703253Y only

2.  $\mu$ PD703252Y only

## CHAPTER 2 PIN FUNCTIONS

### 2.1 List of Pin Functions

The names and functions of the pins in the V850ES/SG1 are described below.

There are four types of pin I/O buffer power supplies:  $AV_{REF0}$ ,  $AV_{REF1}$ ,  $BV_{DD}$ , and  $EV_{DD}$ . The relationship between these power supplies and the pins is described below.

**Table 2-1. Pin I/O Buffer Power Supplies**

Power Supply	Corresponding Pins
$AV_{REF0}$	Port 7
$AV_{REF1}$	Port 1
$BV_{DD}$	Ports CM, CT, DH (bits 0 to 3), DL
$EV_{DD}$	$\overline{RESET}$ , ports 0, 3 to 5, 9, DH (bits 4, 5)

#### (1) Port pins

(1/4)

Pin Name	Pin No.		I/O	Function	Alternate Function
	GF	GC			
P02	19	17	I/O	Port 0 5-bit I/O port Input/output can be specified in 1-bit units. N-ch open-drain output can be specified in 1-bit units. 5 V tolerant.	NMI
P03	20	18			INTP0/ADTRG
P04	21	19			INTP1
P05 <sup>Note 1</sup>	22	20			INTP2
P06	23	21			INTP3
P10	5	3	I/O	Port 1 2-bit I/O port Input/output can be specified in 1-bit units.	–
	–	3			ANO0 <sup>Note 2</sup>
P11	6	4			–
	–	4			ANO1 <sup>Note 2</sup>
P30	27	25	I/O	Port 3 10-bit I/O port Input/output can be specified in 1-bit units. N-ch open-drain output can be specified in 1-bit units. 5 V tolerant.	TXDA0
P31	28	26			RXDA0/INTP7
P32	29	27			ASCKA0/TIP00/TOP00
P33	30	28			TIP01/TOP01
P34	31	29			TIP10/TOP10
P35	32	30			TIP11/TOP11

**Notes** 1. A pull-down resistor is incorporated. It can be disconnected by clearing the OCDM.OCDM0 bit to 0.

In the flash memory versions (V850ES/SG2 ( $\mu$ PD70F3261Y, 70F3271Y, 70F3281Y)), this pin alternately functions as the on-chip debug pin.

2.  $\mu$ PD703253Y only

**Remark** GF: 100-pin plastic QFP (14 × 20)

GC: 100-pin plastic LQFP (fine pitch) (14 × 14)

	Pin Name	Pin No.		I/O	Function	Alternate Function		
		GF	GC					
<R>	P36	33	31	I/O	Port 3 10-bit I/O port Input/output can be specified in 1-bit units. N-ch open-drain output can be specified in 1-bit units. 5 V tolerant.	IETX0 <sup>Note 1</sup>		
		–	31			CTXD0 <sup>Note 2</sup>		
<R>	P37	34	32			I/O	Port 4 3-bit I/O port Input/output can be specified in 1-bit units. N-ch open-drain output can be specified in 1-bit units. 5 V tolerant.	IERX0 <sup>Note 1</sup>
		–	32					CRXD0 <sup>Note 2</sup>
P38	37	35	SDA00					
P39	38	36	SCL00					
P40	24	22	SIB0/SDA01					
P41	25	23	SOB0/SCL01					
P42	26	24	SCKB0					
P50	39	37	I/O					Port 5 6-bit I/O port Input/output can be specified in 1-bit units. N-ch open-drain output can be specified in 1-bit units. 5 V tolerant.
P51	40	38		KR1				
P52 <sup>Note 3</sup>	41	39		KR2				
P53 <sup>Note 3</sup>	42	40		KR3				
P54 <sup>Note 3</sup>	43	41		KR4				
P55 <sup>Note 3</sup>	44	42		KR5				
P70	2	100	I/O	Port 7 12-bit I/O port Input/output can be specified in 1-bit units.	ANI0			
P71	1	99			ANI1			
P72	100	98			ANI2			
P73	99	97			ANI3			
P74	98	96			ANI4			
P75	97	95			ANI5			
P76	96	94			ANI6			
P77	95	93			ANI7			
P78	94	92			ANI8			
P79	93	91			ANI9			
P710	92	90			ANI10			
P711	91	89			ANI11			

**Notes** 1.  $\mu$ PD703252Y only

<R> 2.  $\mu$ PD703253Y only

<R> 3. In the flash memory versions (V850ES/SG2 ( $\mu$ PD70F3261Y, 70F3271Y, 70F3281Y)), this pin alternately functions as the on-chip debug pin.

**Remark** GF: 100-pin plastic QFP (14 × 20)

GC: 100-pin plastic LQFP (fine pitch) (14 × 14)

Pin Name	Pin No.		I/O	Function	Alternate Function
	GF	GC			
P90	45	43	I/O	Port 9 16-bit I/O port Input/output can be specified in 1-bit units. N-ch open-drain output can be specified in 1-bit units. 5 V tolerant.	A0/KR6/TXDA1
P91	46	44			A1/KR7/RXDA1
P92	47	45			A2/TIP41/TOP41
P93	48	46			A3/TIP40/TOP40
P94	49	47			A4/TIP31/TOP31
P95	50	48			A5/TIP30/TOP30
P96	51	49			A6/TIP21/TOP21
P97	52	50			A7/SIB1/TIP20/TOP20
P98	53	51			A8/SOB1
P99	54	52			A9/SCKB1
P910	55	53			A10/SIB3
P911	56	54			A11/SOB3
P912	57	55			A12/SCKB3
P913	58	56			A13/INTP4
P914	59	57			A14/INTP5
	–	57	A14/INTP5/TIP51 <sup>Note</sup> /TOP51 <sup>Note</sup>		
P915	60	58	A15/INTP6		
	–	58	A15/INTP6/TIP50 <sup>Note</sup> /TOP50 <sup>Note</sup>		
PCM0	63	61	I/O	Port CM 4-bit I/O port Input/output can be specified in 1-bit units.	WAIT
PCM1	64	62			CLKOUT
PCM2	65	63			HLD $\overline{\text{AK}}$
PCM3	66	64			HLD $\overline{\text{RQ}}$
PCT0	67	65	I/O	Port CT 4-bit I/O port Input/output can be specified in 1-bit units.	WR $\overline{\text{0}}$
PCT1	68	66			WR $\overline{\text{1}}$
PCT4	69	67			RD
PCT6	70	68			ASTB
PDH0	89	87	I/O	Port DH 6-bit I/O port Input/output can be specified in 1-bit units.	A16
PDH1	90	88			A17
PDH2	61	59			A18
PDH3	62	60			A19
PDH4	8	6			A20
PDH5	9	7			A21

&lt;R&gt;

&lt;R&gt;

&lt;R&gt;

**Note**  $\mu$ PD703253Y only**Remark** GF: 100-pin plastic QFP (14 × 20)

GC: 100-pin plastic LQFP (fine pitch) (14 × 14)

Pin Name	Pin No.		I/O	Function	Alternate Function
	GF	GC			
PDL0	73	71	I/O	Port DL 16-bit I/O port Input/output can be specified in 1-bit units.	AD0
PDL1	74	72			AD1
PDL2	75	73			AD2
PDL3	76	74			AD3
PDL4	77	75			AD4
PDL5	78	76			AD5
PDL6	79	77			AD6
PDL7	80	78			AD7
PDL8	81	79			AD8
PDL9	82	80			AD9
PDL10	83	81			AD10
PDL11	84	82			AD11
PDL12	85	83			AD12
PDL13	86	84			AD13
PDL14	87	85			AD14
PDL15	88	86			AD15

**Remark** GF: 100-pin plastic QFP (14 × 20)

GC: 100-pin plastic LQFP (fine pitch) (14 × 14)

## (2) Non-port pins

(1/5)

	Pin Name	Pin No.		I/O	Function	Alternate Function
		GF	GC			
<R>	A0	45	43	Output	Address bus for external memory (when using separate bus)  Port 9 cannot be used as port pins or other alternate function pins when the A0 to A15 pins are used in the separate bus mode.  N-ch open-drain output selectable. 5 V tolerant.	P90/KR6/TXDA1
<R>	A1	46	44			P91/KR7/RXDA1
<R>	A2	47	45			P92/TIP41/TOP41
<R>	A3	48	46			P93/TIP40/TOP40
<R>	A4	49	47			P94/TIP31/TOP31
<R>	A5	50	48			P95/TIP30/TOP30
<R>	A6	51	49			P96/TIP21/TOP21
<R>	A7	52	50			P97/SIB1/TIP20/TOP20
<R>	A8	53	51			P98/SOB1
<R>	A9	54	52			P99/ $\overline{\text{SCKB1}}$
<R>	A10	55	53			P910/SIB3
<R>	A11	56	54			P911/SOB3
<R>	A12	57	55			P912/ $\overline{\text{SCKB3}}$
<R>	A13	58	56			P913/INTP4
<R>	A14	59	57			P914/INTP5
<R>		–	57	P914/INTP5/TIP51 <sup>Note</sup> /TOP51 <sup>Note</sup>		
<R>	A15	60	58	P915/INTP6		
<R>		–	58	P915/INTP6/TIP50 <sup>Note</sup> /TOP50 <sup>Note</sup>		
	A16	89	87	Output	Address bus for external memory	PDH0
	A17	90	88			PDH1
	A18	61	59			PDH2
	A19	62	60			PDH3
	A20	8	6			PDH4
	A21	9	7			PDH5
	AD0	73	71	I/O	Address bus/data bus for external memory	PDL0
	AD1	74	72			PDL1
	AD2	75	73			PDL2
	AD3	76	74			PDL3
	AD4	77	75			PDL4
	AD5	78	76			PDL5
	AD6	79	77			PDL6
	AD7	80	78			PDL7
	AD8	81	79			PDL8
	AD9	82	80			PDL9
	AD10	83	81			PDL10

<R> **Note**  $\mu$ PD703253Y only

**Remark** GF: 100-pin plastic QFP (14 × 20)  
GC: 100-pin plastic LQFP (fine pitch) (14 × 14)

Pin Name	Pin No.		I/O	Function	Alternate Function
	GF	GC			
AD11	84	82	I/O	Address bus/data bus for external memory	PDL11
AD12	85	83			PDL12
AD13	86	84			PDL13
AD14	87	85			PDL14
AD15	88	86			PDL15
ADTRG	20	18	Input	A/D converter external trigger input. 5 V tolerant.	P03/INTP0
ANI0	2	100	Input	Analog voltage input for A/D converter	P70
ANI1	1	99			P71
ANI2	100	98			P72
ANI3	99	97			P73
ANI4	98	96			P74
ANI5	97	95			P75
ANI6	96	94			P76
ANI7	95	93			P77
ANI8	94	92			P78
ANI9	93	91			P79
ANI10	92	90			P710
ANI11	91	89			P711
<R> ANO0 <sup>Note</sup>	–	3	Output	Analog voltage output for D/A converter	P10
<R> ANO1 <sup>Note</sup>	–	4			P11
ASCKA0	29	27	Input	UARTA0 baud rate clock input. 5 V tolerant.	P32/TIP00/TOP00
ASTB	70	68	Output	Address strobe signal output for external memory	PCT6
AV <sub>REF0</sub>	3	1	–	Reference voltage input for A/D converter/positive power supply for port 7	–
<R> AV <sub>REF1</sub>	7	5		Reference voltage input for D/A converter <sup>Note</sup> /positive power supply for port 1	–
<R> AV <sub>SS</sub>	4	2	–	Ground potential for A/D and D/A <sup>Note</sup> converters (same potential as V <sub>SS</sub> )	–
BV <sub>DD</sub>	72	70	–	Positive power supply pin for bus interface and alternate-function ports	–
BV <sub>SS</sub>	71	69	–	Ground potential for bus interface and alternate-function ports	–
CLKOUT	64	62	Output	Internal system clock output	PCM1
<R> CRXD0 <sup>Note</sup>	–	32	Input	CAN receive data input. 5 V tolerant.	P37
<R> CTXD0 <sup>Note</sup>	–	31	Output	CAN transmit data output. N-ch open-drain output selectable. 5 V tolerant.	P36
EV <sub>DD</sub>	36	34	–	Positive power supply for external (same potential as V <sub>DD</sub> )	–
EV <sub>SS</sub>	35	33	–	Ground potential for external (same potential as V <sub>SS</sub> )	–

<R> **Note**  $\mu$ PD703253Y only

**Remark** GF: 100-pin plastic QFP (14 × 20)  
GC: 100-pin plastic LQFP (fine pitch) (14 × 14)



Pin Name	Pin No.		I/O	Function	Alternate Function
	GF	GC			
HLD $\overline{A}K$	65	63	Output	Bus hold acknowledge output	PCM2
HLD $\overline{R}Q$	66	64	Input	Bus hold request input	PCM3
IC	10	8	–	Internally connected	–
$\overline{I}ERX0$ <sup>Note 1</sup>	34	32	Input	IEBus receive data input. 5 V tolerant.	P37
$\overline{I}ETX0$ <sup>Note 1</sup>	33	31	Output	IEBus transmit data output. N-ch open-drain output selectable. 5 V tolerant.	P36
INTP0	20	18	Input	External interrupt request input (maskable, analog noise elimination). Analog noise elimination or digital noise elimination selectable for INTP3 pin. 5 V tolerant.	P03/ADTRG
INTP1	21	19			P04
INTP2	22	20			P05
INTP3	23	21			P06
INTP4	58	56			P913/A13
INTP5	59	57			P914/A14
	–	57			P914/A14/TIP51 <sup>Note 2</sup> /TOP51 <sup>Note 2</sup>
INTP6	60	58			P915/A15
	–	58	P915/A15/TIP50 <sup>Note 2</sup> /TOP50 <sup>Note 2</sup>		
INTP7	28	26		P31/RXDA0	
KR0 <sup>Note 3</sup>	39	37	Input	Key interrupt input (on-chip analog noise eliminator). 5 V tolerant.	P50
KR1 <sup>Note 3</sup>	40	38			P51
KR2 <sup>Note 3</sup>	41	39			P52
KR3 <sup>Note 3</sup>	42	40			P53
KR4 <sup>Note 3</sup>	43	41			P54
KR5 <sup>Note 3</sup>	44	42			P55
KR6 <sup>Note 3</sup>	45	43			P90/A0/TXDA1
KR7 <sup>Note 3</sup>	46	44			P91/A1/RXDA1
NMI <sup>Note 4</sup>	19	17	Input	External interrupt input (non-maskable, analog noise elimination). 5 V tolerant.	P02
$\overline{R}D$	69	67	Output	Read strobe signal output for external memory	PCT4
REGC	12	10	–	Connection of regulator output stabilization capacitance (4.7 $\mu$ F)	–
RESET	16	14	Input	System reset input	–
RXDA0	28	26	Input	Serial receive data input (UARTA0, UARTA1) 5 V tolerant.	P31/INTP7
RXDA1	38	36			P91/A1/KR7

**Notes** 1.  $\mu$ PD703252Y only

2.  $\mu$ PD703253Y only

3. Pull this pin up externally.

4. The NMI pin alternately functions as the P02 pin. It functions as the P02 pin after reset. To enable the NMI pin, set the PMC0.PMC02 bit to 1. The initial setting of the NMI pin is “No edge detected”. Select the NMI pin valid edge using INTF0 and INTR0 registers.

**Remark** GF: 100-pin plastic QFP (14 × 20)

GC: 100-pin plastic LQFP (fine pitch) (14 × 14)

Pin Name	Pin No.		I/O	Function	Alternate Function
	GF	GC			
SCKB0	26	24	I/O	Serial clock I/O (CSIB0, CSIB1, CSIB3). N-ch open-drain output selectable. 5 V tolerant.	P42
SCKB1	54	52			P99/A9
SCKB3	57	55			P912/A12
SCL00	38	36	I/O	Serial clock I/O (I <sup>2</sup> C00, I <sup>2</sup> C01) N-ch open-drain output selectable. 5 V tolerant.	P39
SCL01	25	23			P41/SOB0
SDA00	37	35	I/O	Serial transmit/receive data I/O (I <sup>2</sup> C00, I <sup>2</sup> C01) N-ch open-drain output selectable. 5 V tolerant.	P38
SDA01	24	22			P40/SIB0
SIB0	24	22	Input	Serial receive data input (CSIB0, CSIB1, CSIB3) 5 V tolerant.	P40/SDA01
SIB1	52	50			P97/A7/TIP20/TOP20
SIB3	55	53			P910/A10
SOB0	25	23	Output	Serial transmit data output (CSIB0, CSIB1, CSIB3) N-ch open-drain output selectable. 5 V tolerant.	P41/SCL01
SOB1	53	51			P98/A8
SOB3	56	54			P911/A11
TIP00	29	27	Input	External event count input/capture trigger input/external trigger input (TMP0). 5 V tolerant.	P32/ASCKA0/TOP00
TIP01	30	28			P33/TOP01
TIP10	31	29			P34/TOP10
TIP11	32	30			P35/TOP11
TIP20	52	50			P97/A7/SIB1/TOP20
TIP21	51	49			P96/A6/TOP21
TIP30	50	48			P95/A5/TOP30
TIP31	49	47			P94/A4/TOP31
TIP40	48	46			P93/A3/TOP40
TIP41	47	45			P92/A2/TOP41
<R> TIP50 <sup>Note</sup>	–	58			P915/A15/INTP6/TOP50 <sup>Note</sup>
<R> TIP51 <sup>Note</sup>	–	57	P914/A14/INTP5/TOP51 <sup>Note</sup>		

<R> **Note**  $\mu$ PD703253Y only

**Remark** GF: 100-pin plastic QFP (14 × 20)  
GC: 100-pin plastic LQFP (fine pitch) (14 × 14)

Pin Name	Pin No.		I/O	Function	Alternate Function
	GF	GC			
TOP00	29	27	Output	Timer output (TMP0)	P32/ASCKA0/TIP00
TOP01	30	28		N-ch open-drain output selectable. 5 V tolerant.	P33/TIP01
TOP10	31	29		Timer output (TMP1)	P34/TIP10
TOP11	32	30		N-ch open-drain output selectable. 5 V tolerant.	P35/TIP11
TOP20	52	50	Output	Timer output (TMP2)	P97/A7/SIB1/TIP20
TOP21	51	49		N-ch open-drain output selectable. 5 V tolerant.	P96/A6/TIP21
TOP30	50	48		Timer output (TMP3)	P95/A5/TIP30
TOP31	49	47		N-ch open-drain output selectable. 5 V tolerant.	P94/A4/TIP31
TOP40	48	46		Timer output (TMP4)	P93/A3/TIP40
TOP41	47	45		N-ch open-drain output selectable. 5 V tolerant.	P92/A2/TIP41
TOP50 <sup>Note</sup>	–	58		Timer output (TMP5)	P915/A15/INTP6/TIP50 <sup>Note</sup>
TOP51 <sup>Note</sup>	–	57		N-ch open-drain output selectable. 5 V tolerant.	P914/A14/INTP5/TIP51 <sup>Note</sup>
TXDA0	27	25	Output	Serial transmit data output (UARTA0, UARTA1)	P30
TXDA1	45	43		N-ch open-drain output selectable. 5 V tolerant.	P90/A0/KR6
V <sub>DD</sub>	11	9	–	Positive power supply pin for internal	–
V <sub>SS</sub>	13	11	–	Ground potential for internal	–
WAIT	63	61	Input	External wait input	PCM0
WR <sub>0</sub>	67	65	Output	Write strobe for external memory (lower 8 bits)	PCT0
WR <sub>1</sub>	68	66		Write strobe for external memory (higher 8 bits)	PCT1
X1	14	12	Input	Connection of resonator for main clock	–
X2	15	13	–		–
XT1	17	15	Input	Connection of resonator for subclock	–
XT2	18	16	–		–

&lt;R&gt;

&lt;R&gt;

&lt;R&gt;

**Note**  $\mu$ PD703253Y only**Remark** GF: 100-pin plastic QFP (14 × 20)

GC: 100-pin plastic LQFP (fine pitch) (14 × 14)

## 2.2 Pin States

The operation states of pins in the various modes are described below.

<R>

**Table 2-2. Pin Operation States in Various Modes**

Pin Name	During Reset (Immediately After Power Is Turned On)	During Reset (Except Immediately After Power Is Turned On)	HALT Mode <sup>Note 2</sup>	IDLE1, IDLE2, Sub-IDLE Mode <sup>Note 2</sup>	STOP Mode <sup>Note 2</sup>	Idle State <sup>Note 3</sup>	Bus Hold						
P05	Pulled down	Pulled down <sup>Note 4</sup>	Held	Held	Held	Held	Held						
P10/AN00 <sup>Note 5</sup> , P11/ANO1 <sup>Note 5</sup>	Undefined <sup>Note 1</sup>	Hi-Z	Held	Held	<b>Note 10</b>	Held	Held						
P53		Hi-Z	Held	Held	Held	Held	Held						
AD0 to AD15	Hi-Z <sup>Note 6</sup>	Hi-Z <sup>Note 6</sup>	<b>Notes 7, 8</b>	Hi-Z	Hi-Z	Held	Hi-Z						
A0 to A15			Undefined <sup>Notes 7, 9</sup>										
A16 to A21			Undefined <sup>Note 7</sup>										
WAIT			–										
CLKOUT			Operating					L	L	Operating	Operating		
WR0, WR1			H <sup>Note 7</sup>					H	H	H	Hi-Z		
RD													
ASTB													
HLDK			Operating <sup>Note 7</sup>								L		
HLDRQ										–	–	–	Operating
Other port pins			Hi-Z					Hi-Z	Held	Held	Held	Held	Held

- Notes 1.** These pins may momentarily output an undefined level upon power application.
- 2.** Operates while an alternate function is operating.
- 3.** In separate bus mode, the state of the pins in the idle state inserted after the T2 state is shown. In multiplexed bus mode, the state of the pins in the idle state inserted after the T3 state is shown.
- 4.** Pulled down during external reset. During internal reset by the watchdog timer, clock monitor, etc., the state of this pin differs according to the OCDM.OCDM0 bit setting.
- 5.**  $\mu$ PD703253Y only
- 6.** The bus control pins function alternately as port pins, so they are initialized to the input mode (port mode).
- 7.** Operates even in the HALT mode, during DMA operation ( $\mu$ PD703253Y only).
- 8.** In separate bus mode: Hi-Z  
In multiplexed bus mode: Undefined
- 9.** In separate bus mode
- 10.** In port mode: Held  
When alternate function is used: Hi-Z

**Remark** Hi-Z: High impedance  
Held: The state during the immediately preceding external bus cycle is held.  
L: Low-level output  
H: High-level output  
–: Input without sampling (not acknowledged)

## 2.3 Pin I/O Circuit Types, I/O Buffer Power Supplies, and Connection of Unused Pins

(1/3)

Pin	Alternate Function	Pin No.		I/O Circuit Type	Recommended Connection
		GF	GC		
P02	NMI	19	17	10-D	Input: Independently connect to EV <sub>DD</sub> or EV <sub>SS</sub> via a resistor. Output: Leave open.
P03	INTP0/ADTRG	20	18		
P04	INTP1	21	19		
P05	INTP2	22	20	10-N	Input: Independently connect to EV <sub>SS</sub> via a resistor. Fixing to V <sub>DD</sub> level is prohibited. Output: Leave open. Internally pull-down after reset by $\overline{\text{RESET}}$ pin.
P06	INTP3	23	21	10-D	Input: Independently connect to EV <sub>DD</sub> or EV <sub>SS</sub> via a resistor. Output: Leave open.
P10, P11	–	5, 6	3, 4	5	Input: Independently connect to AV <sub>REF1</sub> or AV <sub>SS</sub> via a resistor. Output: Leave open.
<R> P10, P11	ANO0, ANO1 <sup>Note 1</sup>	–	3, 4	12-D	
<R> P30	TXDA0	27	25	10-G	Input: Independently connect to EV <sub>DD</sub> or EV <sub>SS</sub> via a resistor. Output: Leave open.
P31	RXDA0/INTP7	28	26	10-D	
P32	ASCKA0/TIP00/TOP00	29	27		
P33	TIP01/TOP01	30	28		
P34	TIP10/TOP10	31	29		
P35	TIP11/TOP11	32	30		
<R> P36	$\overline{\text{IETX0}}$ <sup>Note 2</sup>	33	31	10-G	
<R>	$\overline{\text{CTXD0}}$ <sup>Note 1</sup>	–	31		
<R> P37	$\overline{\text{IERX0}}$ <sup>Note 2</sup>	34	32	10-D	
	$\overline{\text{CRXD0}}$ <sup>Note 1</sup>	–	32		
P38	SDA00	37	35		
P39	SCL00	38	36		
P40	SIB0/SDA01	24	22		
P41	SOB0/SCL01	25	23		
P42	SCKB0	26	24		
P50 to P55	KR0 to KR5	39 to 44	37 to 42		
P70 to P711	ANI0 to ANI11	2, 1, 100 to 91	100 to 89	11-G	Input: Independently connect to AV <sub>REF0</sub> or AV <sub>SS</sub> via a resistor. Output: Leave open.

<R> **Notes** 1.  $\mu$ PD703253Y only

2.  $\mu$ PD703252Y only

**Remark** GF: 100-pin plastic QFP (14 × 20)

GC: 100-pin plastic LQFP (fine pitch) (14 × 14)

Pin	Alternate Function	Pin No.		I/O Circuit Type	Recommended Connection		
		GF	GC				
P90	A0/KR6/TDXA1	45	43	10-D	Input: Independently connect to EV <sub>DD</sub> or EV <sub>SS</sub> via a resistor. Output: Leave open.		
P91	A1/KR7/RXDA1	46	44				
P92	A2/TIP41/TOP41	47	45				
P93	A3/TIP40/TOP40	48	46				
P94	A4/TIP31/TOP31	49	47				
P95	A5/TIP30/TOP30	50	48				
P96	A6/TIP21/TOP21	51	49				
P97	A7/SIB1/TIP20/TOP20	52	50				
<R> P98	A8/SOB1	53	51	10-G			
P99	A9/SCKB1	54	52	10-D			
P910	A10/SIB3	55	53				
<R> P911	A11/SOB3	56	54	10-G			
P912	A12/SCKB3	57	55	10-D			
P913	A13/INTP4	58	56				
P914	A14/INTP5	59	57				
<R> P914	A14/INTP5/TIP51 <sup>Note</sup> /TOP51 <sup>Note</sup>	–	57				
P915	A15/INTP6	60	58				
<R> P915	A15/INTP6/TIP50 <sup>Note</sup> /TOP50 <sup>Note</sup>	–	58				
PCM0	WAIT	63	61	5	Input: Independently connect to BV <sub>DD</sub> or BV <sub>SS</sub> via a resistor. Output: Leave open.		
PCM1	CLKOUT	64	62				
PCM2	HLDK	65	63				
PCM3	HLDK	66	64				
PCT0, PCT1	WR0, WR1	67, 68	65, 66				
PCT4	RD	69	67				
PCT6	ASTB	70	68				
PDH0 to PDH3	A16 to A19	89, 90, 61, 62	87, 88, 59, 60				
PDH4, PDH5	A20, A21	8, 9	6, 7				Input: Independently connect to EV <sub>DD</sub> or EV <sub>SS</sub> via a resistor. Output: Leave open.
PDL0 to PDL15	AD0 to AD15	73 to 88	71 to 86				Input: Independently connect to BV <sub>DD</sub> or BV <sub>SS</sub> via a resistor. Output: Leave open.

<R> **Note**  $\mu$ PD703253Y only

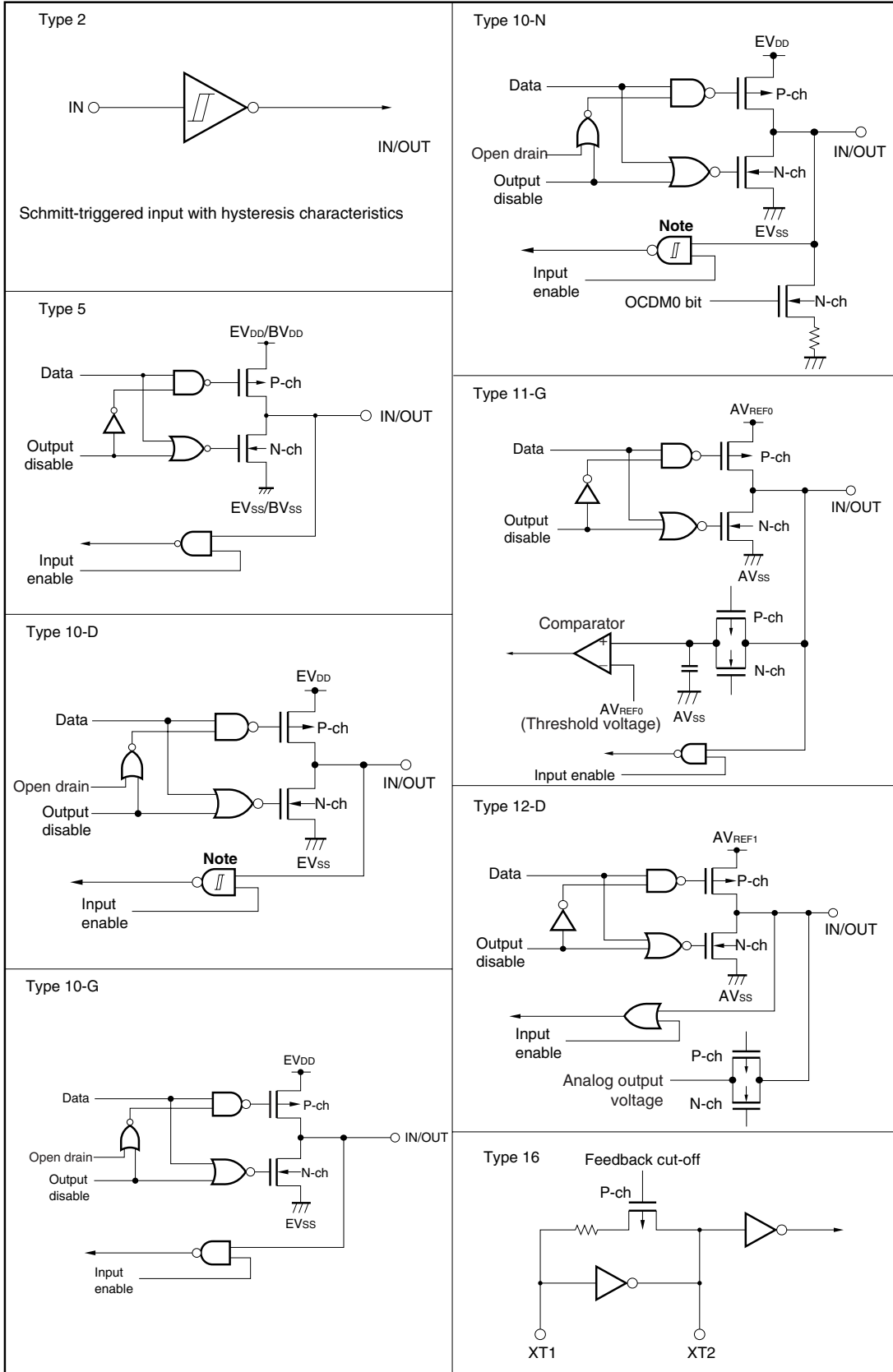
**Remark** GF: 100-pin plastic QFP (14 × 20)  
GC: 100-pin plastic LQFP (fine pitch) (14 × 14)

Pin	Alternate Function	Pin No.		I/O Circuit Type	Recommended Connection
		GF	GC		
AV <sub>REF0</sub>	–	3	1	–	Directly connect to V <sub>DD</sub> and always supply power.
AV <sub>REF1</sub>	–	7	5	–	Directly connect to V <sub>DD</sub> and always supply power.
AV <sub>SS</sub>	–	4	2	–	Directly connect to V <sub>SS</sub> and always supply power.
BV <sub>DD</sub>	–	72	70	–	Directly connect to V <sub>DD</sub> and always supply power.
BV <sub>SS</sub>	–	71	69	–	Directly connect to V <sub>SS</sub> and always supply power.
EV <sub>DD</sub>	–	36	34	–	–
EV <sub>SS</sub>	–	35	33	–	–
IC	–	10	8	–	Directly connect to V <sub>SS</sub> .
REGC	–	12	10	–	Connect regulator output stabilization capacitance (4.7 $\mu$ F).
RESET	–	16	14	2	–
V <sub>DD</sub>	–	11	9	–	–
V <sub>SS</sub>	–	13	11	–	–
X1	–	14	12	–	–
X2	–	15	13	–	–
XT1	–	17	15	16	Connect to V <sub>SS</sub> .
XT2	–	18	16	16	Leave open.

**Remark** GF: 100-pin plastic QFP (14 × 20)

GC: 100-pin plastic LQFP (fine pitch) (14 × 14)

Figure 2-1. Pin I/O Circuits



<R>

<R>

**Note** Hysteresis characteristics are not available in port mode.



## 2.4 Cautions

<R> The following pins may momentarily output an undefined level upon power application.

<R> • P10/ANO0<sup>Note</sup> pin

<R> • P11/ANO1<sup>Note</sup> pin

• P53/KR3 pin

<R> **Note**  $\mu$ PD703253Y only

## CHAPTER 3 CPU FUNCTION

The CPU of the V850ES/SG1 is based on RISC architecture and executes almost all instructions with one clock by using a 5-stage pipeline.

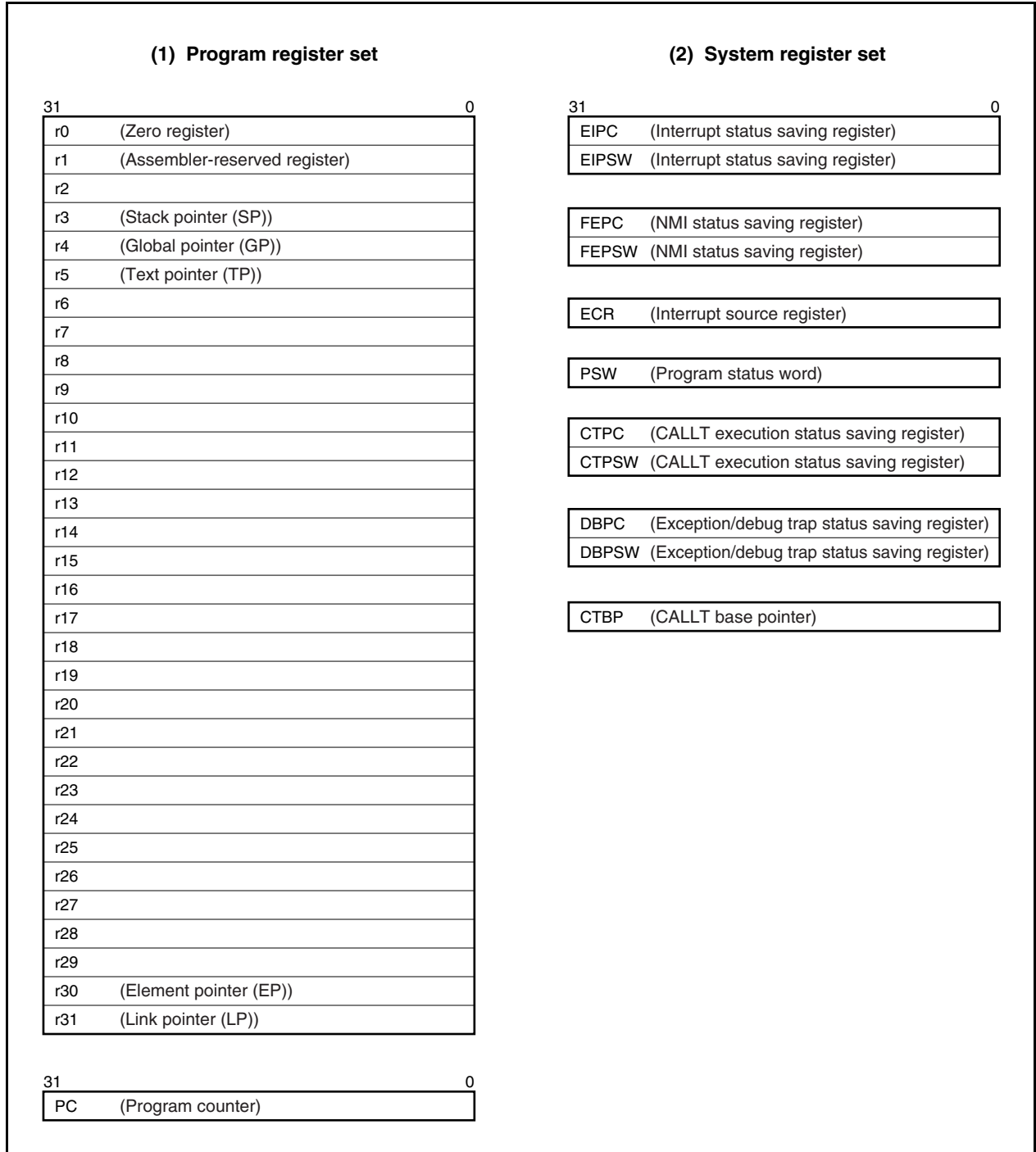
### 3.1 Features

- Minimum instruction execution time: 50 ns (operating with main clock ( $f_{xx}$ ) = 20 MHz)  
30.5  $\mu$ s (with subclock ( $f_{xt}$ ) = 32.768 kHz operation)
- Memory space    Program (physical address) space: 64 MB linear  
                          Data (logical address) space:     4 GB linear
- General-purpose registers: 32 bits  $\times$  32 registers
- Internal 32-bit architecture
- 5-stage pipeline control
- Multiplication/division instruction
- Saturation operation instruction
- 32-bit shift instruction: 1 clock
- Load/store instruction with long/short format
- Four types of bit manipulation instructions
  - SET1
  - CLR1
  - NOT1
  - TST1

### 3.2 CPU Register Set

The registers of the V850ES/SG1 can be classified into two types: general-purpose program registers and dedicated system registers. All the registers are 32 bits wide.

For details, refer to the **V850ES Architecture User's Manual**.



### 3.2.1 Program register set

The program registers include general-purpose registers and a program counter.

#### (1) General-purpose registers (r0 to r31)

Thirty-two general-purpose registers, r0 to r31, are available. Any of these registers can be used to store a data variable or an address variable.

However, r0 and r30 are implicitly used by instructions and care must be exercised when these registers are used. r0 always holds 0 and is used for an operation that uses 0 or addressing of offset 0. r30 is used by the SLD and SST instructions as a base pointer when these instructions access the memory. r1, r3 to r5, and r31 are implicitly used by the assembler and C compiler. When using these registers, save their contents for protection, and then restore the contents after using the registers. r2 is sometimes used by the real-time OS. If the real-time OS does not use r2, it can be used as a register for variables.

**Table 3-1. Program Registers**

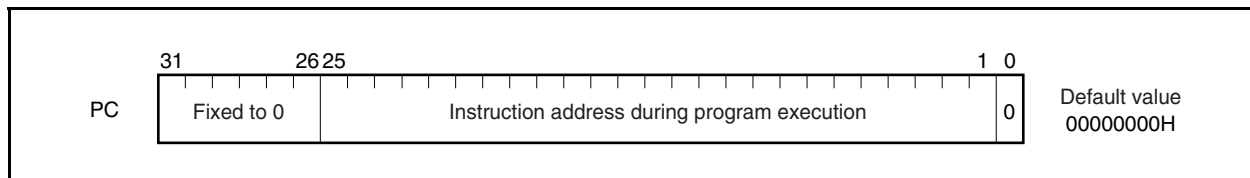
Name	Usage	Operation
r0	Zero register	Always holds 0.
r1	Assembler-reserved register	Used as working register to create 32-bit immediate data
r2	Register for address/data variable (if real-time OS does not use r2)	
r3	Stack pointer	Used to create a stack frame when a function is called
r4	Global pointer	Used to access a global variable in the data area
r5	Text pointer	Used as register that indicates the beginning of a text area (area where program codes are located)
r6 to r29	Register for address/data variable	
r30	Element pointer	Used as base pointer to access memory
r31	Link pointer	Used when the compiler calls a function
PC	Program counter	Holds the instruction address during program execution

**Remark** For further details on the r1, r3 to r5, and r31 that are used in the assembler and C compiler, refer to the **CA850 (C Compiler Package) Assembly Language User's Manual**.

#### (2) Program counter (PC)

The program counter holds the instruction address during program execution. The lower 32 bits of this register are valid. Bits 31 to 26 are fixed to 0. A carry from bit 25 to 26 is ignored even if it occurs.

Bit 0 is fixed to 0. This means that execution cannot branch to an odd address.



### 3.2.2 System register set

The system registers control the status of the CPU and hold interrupt information.

These registers can be read or written by using system register load/store instructions (LDSR and STSR), using the system register numbers listed below.

**Table 3-2. System Register Numbers**

System Register Number	System Register Name	Operand Specification	
		LDSR Instruction	STSR Instruction
0	Interrupt status saving register (EIPC) <sup>Note 1</sup>	√	√
1	Interrupt status saving register (EIPSW) <sup>Note 1</sup>	√	√
2	NMI status saving register (FEPC) <sup>Note 1</sup>	√	√
3	NMI status saving register (FEPSW) <sup>Note 1</sup>	√	√
4	Interrupt source register (ECR)	×	√
5	Program status word (PSW)	√	√
6 to 15	Reserved for future function expansion (operation is not guaranteed if these registers are accessed)	×	×
16	CALLT execution status saving register (CTPC)	√	√
17	CALLT execution status saving register (CTPSW)	√	√
18	Exception/debug trap status saving register (DBPC)	√ <sup>Note 2</sup>	√ <sup>Note 2</sup>
19	Exception/debug trap status saving register (DBPSW)	√ <sup>Note 2</sup>	√ <sup>Note 2</sup>
20	CALLT base pointer (CTBP)	√	√
21 to 31	Reserved for future function expansion (operation is not guaranteed if these registers are accessed)	×	×

**Notes 1.** Because only one set of these registers is available, the contents of these registers must be saved by program if multiple interrupts are enabled.

**2.** These registers can be accessed only during the interval between the execution of the DBTRAP instruction or illegal instruction code and DBRET instruction execution.

**Caution** Even if EIPC or FEPC, or bit 0 of CTPC is set to 1 by the LDSR instruction, bit 0 is ignored when execution is returned to the main routine by the RETI instruction after interrupt servicing (this is because bit 0 of the PC is fixed to 0). Set an even value to EIPC, FEPC, and CTPC (bit 0 = 0).

**Remark** √: Can be accessed  
×: Access prohibited

<R>

**(1) Interrupt status saving registers (EIPC and EIPSW)**

EIPC and EIPSW are used to save the status when an interrupt occurs.

If a software exception or a maskable interrupt occurs, the contents of the program counter (PC) are saved to EIPC, and the contents of the program status word (PSW) are saved to EIPSW (these contents are saved to the NMI status saving registers (FEPC and FEPSW) if a non-maskable interrupt occurs).

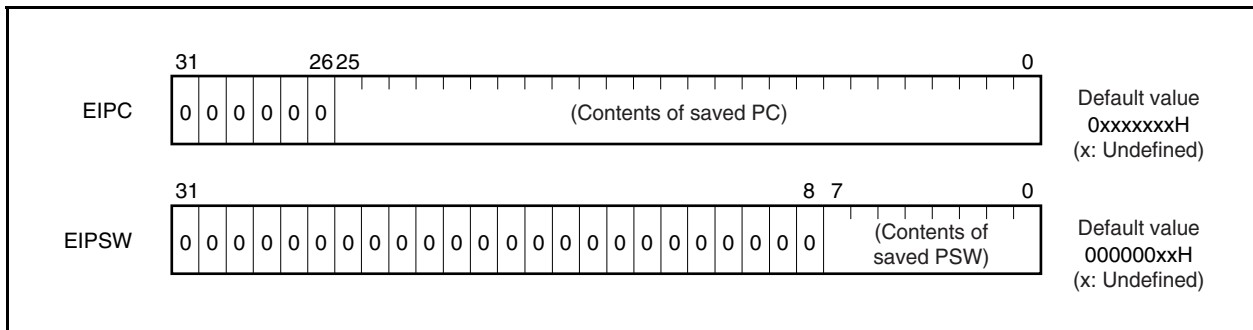
The address of the instruction next to the instruction under execution, except some instructions (see **19.8 Periods in Which Interrupts Are Not Acknowledged by CPU**), is saved to EIPC when a software exception or a maskable interrupt occurs.

The current contents of the PSW are saved to EIPSW.

Because only one set of interrupt status saving registers is available, the contents of these registers must be saved by program when multiple interrupts are enabled.

Bits 31 to 26 of EIPC and bits 31 to 8 of EIPSW are reserved for future function expansion (these bits are always fixed to 0).

The value of EIPC is restored to the PC and the value of EIPSW to the PSW by the RETI instruction.



**(2) NMI status saving registers (FEPC and FEPSW)**

FEPC and FEPSW are used to save the status when a non-maskable interrupt (NMI) occurs.

If an NMI occurs, the contents of the program counter (PC) are saved to FEPC, and those of the program status word (PSW) are saved to FEPSW.

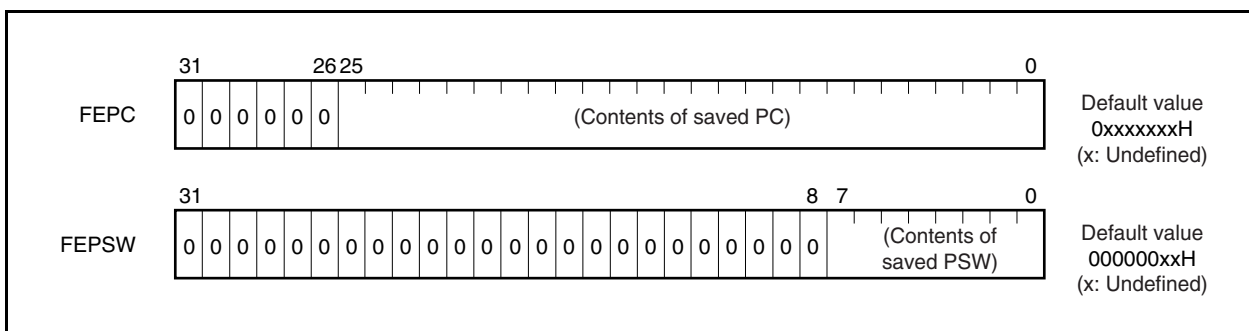
The address of the instruction next to the one of the instruction under execution, except some instructions, is saved to FEPC when an NMI occurs.

The current contents of the PSW are saved to FEPSW.

Because only one set of NMI status saving registers is available, the contents of these registers must be saved by program when multiple interrupts are enabled.

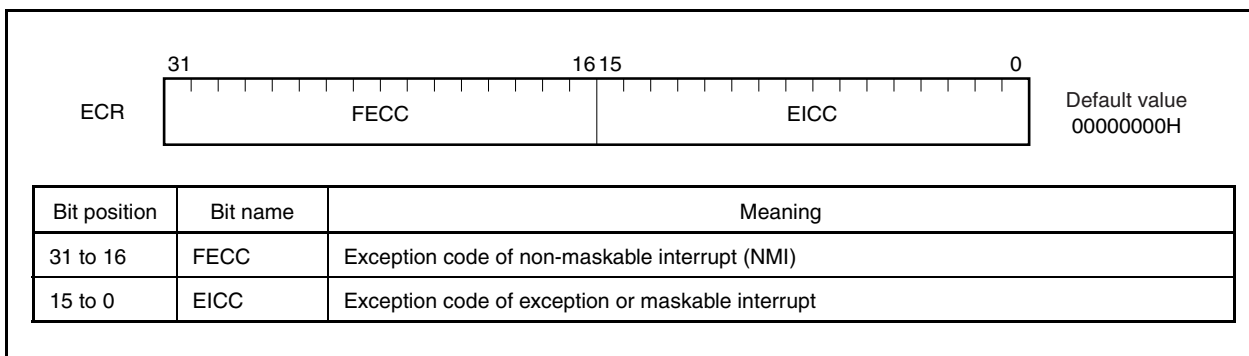
Bits 31 to 26 of FEPC and bits 31 to 8 of FEPSW are reserved for future function expansion (these bits are always fixed to 0).

The value of FEPC is restored to the PC and the value of FEPSW to the PSW by the RETI instruction.



**(3) Interrupt source register (ECR)**

The interrupt source register (ECR) holds the source of an exception or interrupt if an exception or interrupt occurs. This register holds the exception code of each interrupt source. Because this register is a read-only register, data cannot be written to this register using the LDSR instruction.



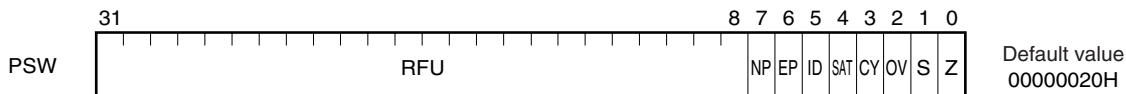
**(4) Program status word (PSW)**

The program status word (PSW) is a collection of flags that indicate the status of the program (result of instruction execution) and the status of the CPU.

If the contents of a bit of this register are changed by using the LDSR instruction, the new contents are validated immediately after completion of LDSR instruction execution. However if the ID flag is set to 1, interrupt requests will not be acknowledged while the LDSR instruction is being executed.

Bits 31 to 8 of this register are reserved for future function expansion (these bits are fixed to 0).

(1/2)



Bit position	Flag name	Meaning
31 to 8	RFU	Reserved field. Fixed to 0.
7	NP	Indicates that a non-maskable interrupt (NMI) is being serviced. This bit is set to 1 when an NMI request is acknowledged, disabling multiple interrupts. 0: NMI is not being serviced. 1: NMI is being serviced.
6	EP	Indicates that an exception is being processed. This bit is set to 1 when an exception occurs. Even if this bit is set, interrupt requests are acknowledged. 0: Exception is not being processed. 1: Exception is being processed.
5	ID	Indicates whether a maskable interrupt can be acknowledged. 0: Interrupt enabled 1: Interrupt disabled
4	SAT <sup>Note</sup>	Indicates that the result of a saturation operation has overflowed and is saturated. Because this is a cumulative flag, it is set to 1 when the result of a saturation operation instruction is saturated, and is not cleared to 0 even if the subsequent operation result is not saturated. Use the LDSR instruction to clear this bit. This flag is neither set to 1 nor cleared to 0 by execution of an arithmetic operation instruction. 0: Not saturated 1: Saturated
3	CY	Indicates whether a carry or a borrow occurs as a result of an operation. 0: Carry or borrow does not occur. 1: Carry or borrow occurs.
2	OV <sup>Note</sup>	Indicates whether an overflow occurs during operation. 0: Overflow does not occur. 1: Overflow occurs.
1	S <sup>Note</sup>	Indicates whether the result of an operation is negative. 0: The result is positive or 0. 1: The result is negative.
0	Z	Indicates whether the result of an operation is 0. 0: The result is not 0. 1: The result is 0.

**Remark** Also read **Note** on the next page.



**Note** The result of the operation that has performed saturation processing is determined by the contents of the OV and S flags. The SAT flag is set to 1 only when the OV flag is set to 1 when a saturation operation is performed.

Status of operation result	Flag status			Result of operation of saturation processing
	SAT	OV	S	
Maximum positive value is exceeded	1	1	0	7FFFFFFFH
Maximum negative value is exceeded	1	1	1	80000000H
Positive (maximum value is not exceeded)	Holds value before operation	0	0	Operation result itself
Negative (maximum value is not exceeded)			1	

**(5) CALLT execution status saving registers (CTPC and CTPSW)**

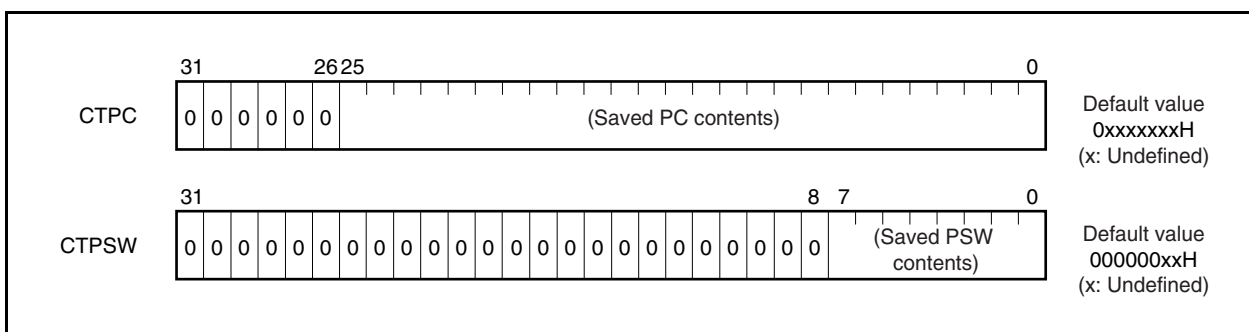
CTPC and CTPSW are CALLT execution status saving registers.

When the CALLT instruction is executed, the contents of the program counter (PC) are saved to CTPC, and those of the program status word (PSW) are saved to CTPSW.

The contents saved to CTPC are the address of the instruction next to CALLT.

The current contents of the PSW are saved to CTPSW.

Bits 31 to 26 of CTPC and bits 31 to 8 of CTPSW are reserved for future function expansion (fixed to 0).



**(6) Exception/debug trap status saving registers (DBPC and DBPSW)**

DBPC and DBPSW are exception/debug trap status registers.

If an exception trap or debug trap occurs, the contents of the program counter (PC) are saved to DBPC, and those of the program status word (PSW) are saved to DBPSW.

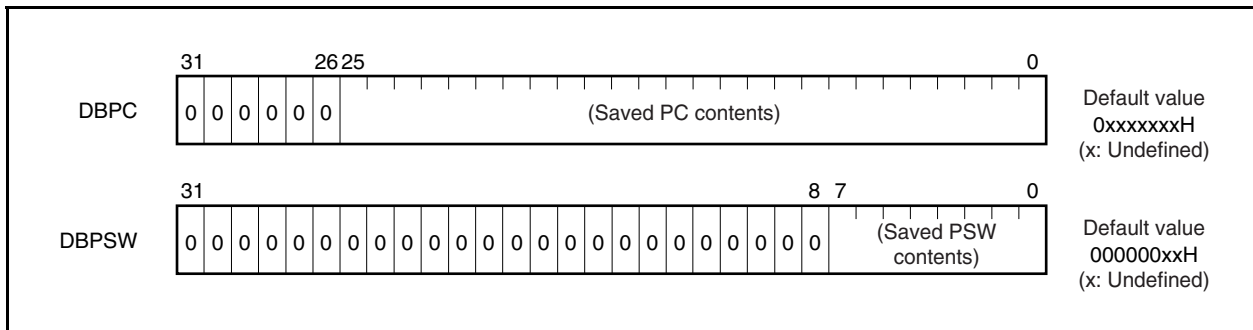
The contents to be saved to DBPC are the address of the instruction next to the one that is being executed when an exception trap or debug trap occurs.

The current contents of the PSW are saved to DBPSW.

<R> This register can be read or written only during the interval between the execution of the DBTRAP instruction or illegal instruction code and DBRET instruction.

Bits 31 to 26 of DBPC and bits 31 to 8 of DBPSW are reserved for future function expansion (fixed to 0).

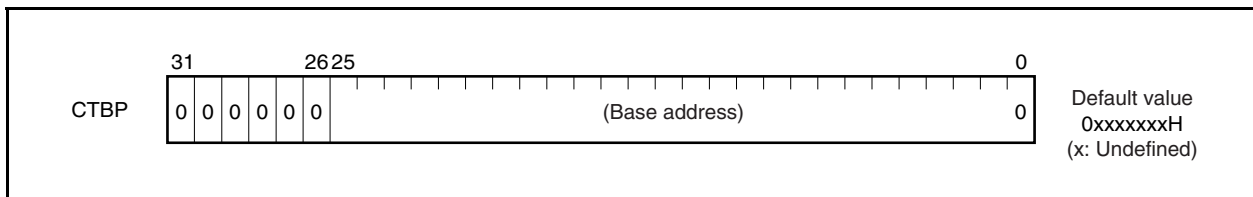
The value of DBPC is restored to the PC and the value of DBPSW to the PSW by the DBRET instruction.



**(7) CALLT base pointer (CTBP)**

The CALLT base pointer (CTBP) is used to specify a table address or generate a target address (bit 0 is fixed to 0).

Bits 31 to 26 of this register are reserved for future function expansion (fixed to 0).



### 3.3 Operation Modes

In the normal operation mode of the V850ES/SG1, each pin related to the bus interface is set to the port mode after system reset has been released. Execution branches to the reset entry address of the internal ROM, and then instruction processing is started.

#### 3.3.1 Specifying operation mode

Specify the operation mode by using the IC pin.

Always input a low level to the IC pin.

IC Pin	Operation Mode
L	Normal operation mode
H	Setting prohibited

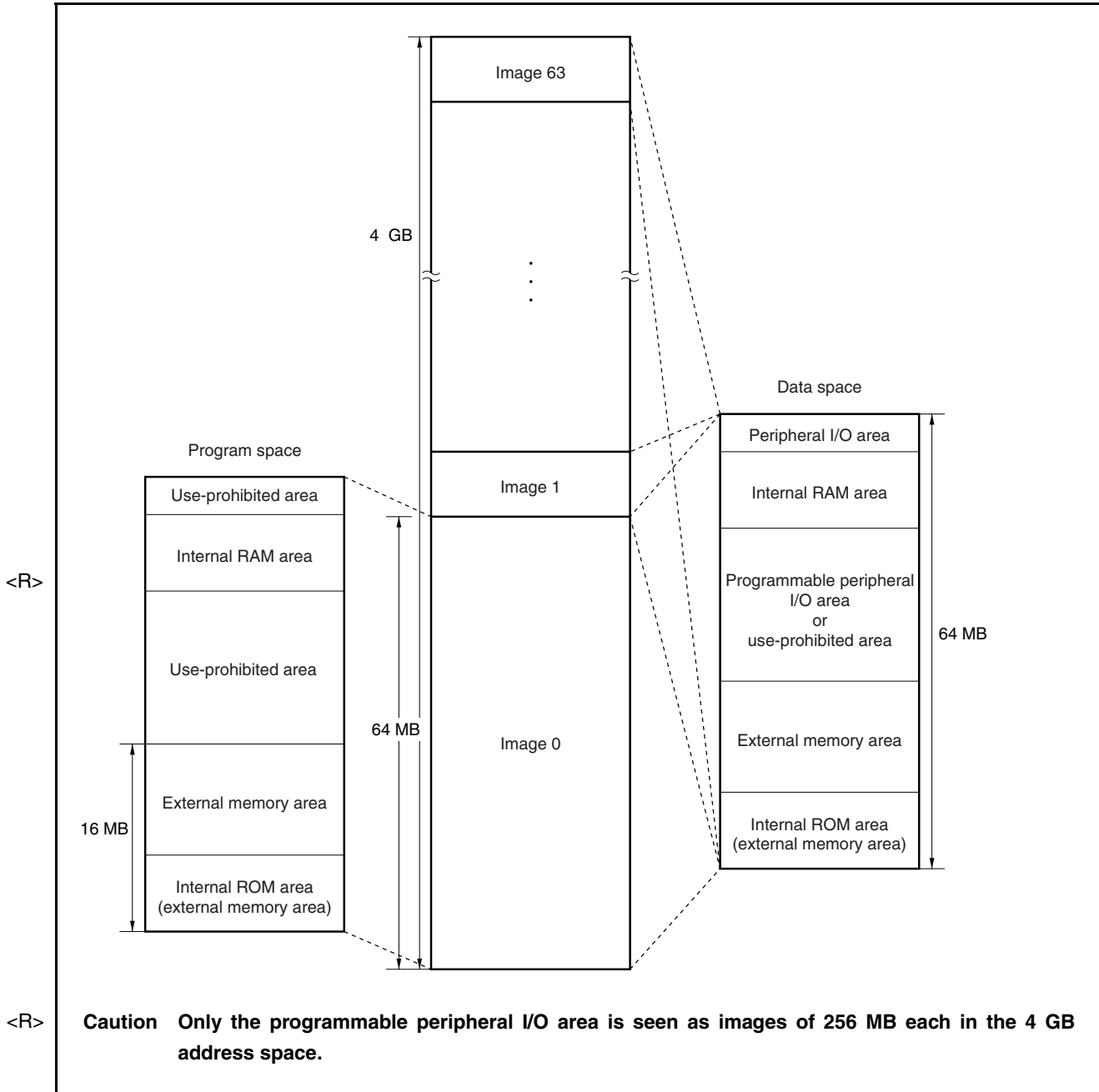
**Remark** L: Low-level input  
H: High-level input

### 3.4 Address Space

#### 3.4.1 CPU address space

For instruction addressing, up to a combined total of 16 MB of external memory area and internal ROM area, plus an internal RAM area, are supported in a linear address space (program space) of up to 64 MB. For operand addressing (data access), up to 4 GB of a linear address space (data space) is supported. The 4 GB address space, however, is viewed as 64 images of a 64 MB physical address space. This means that the same 64 MB physical address space is accessed regardless of the value of bits 31 to 26.

Figure 3-1. Image on Address Space



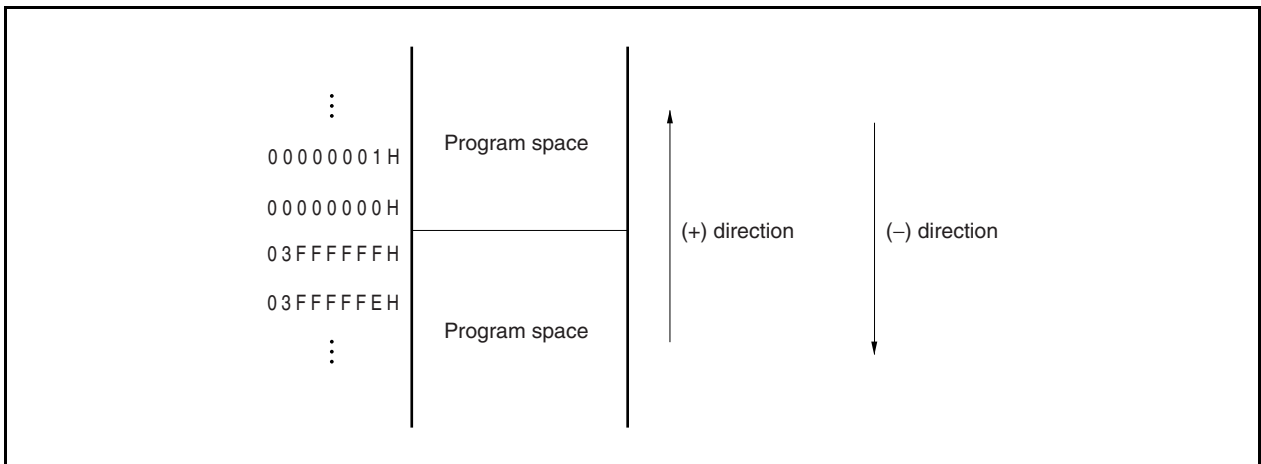
3.4.2 Wraparound of CPU address space

(1) Program space

Of the 32 bits of the PC (program counter), the higher 6 bits are fixed to 0 and only the lower 26 bits are valid. The higher 6 bits ignore a carry or borrow from bit 25 to 26 during branch address calculation.

Therefore, the highest address of the program space, 03FFFFFFH, and the lowest address, 00000000H, are contiguous addresses. That the highest address and the lowest address of the program space are contiguous in this way is called wraparound.

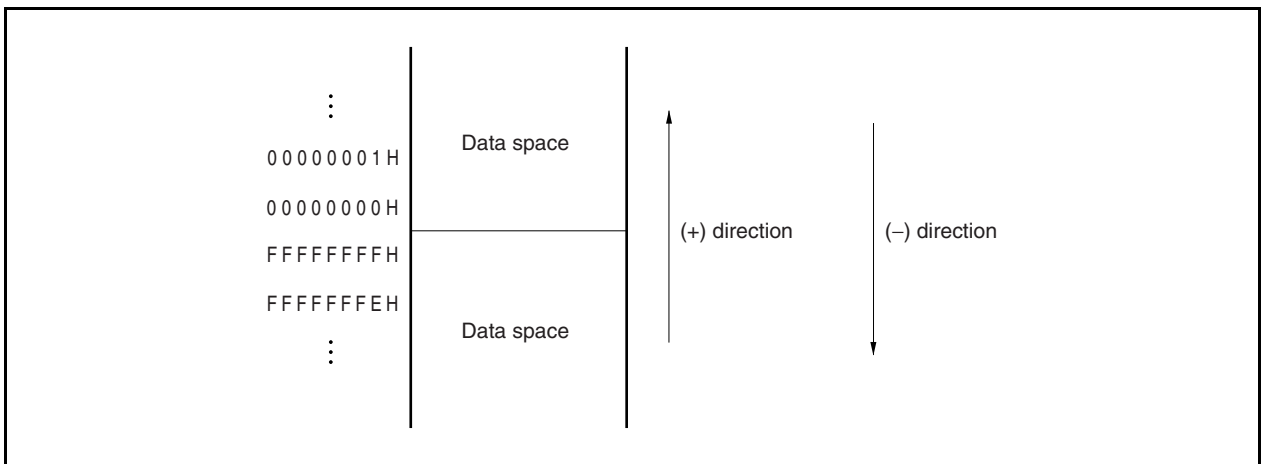
**Caution** Because the 4 KB area of addresses 03FFF000H to 03FFFFFFH is an on-chip peripheral I/O area, instructions cannot be fetched from this area. Therefore, do not execute an operation in which the result of a branch address calculation affects this area.



(2) Data space

The result of an operand address calculation operation that exceeds 32 bits is ignored.

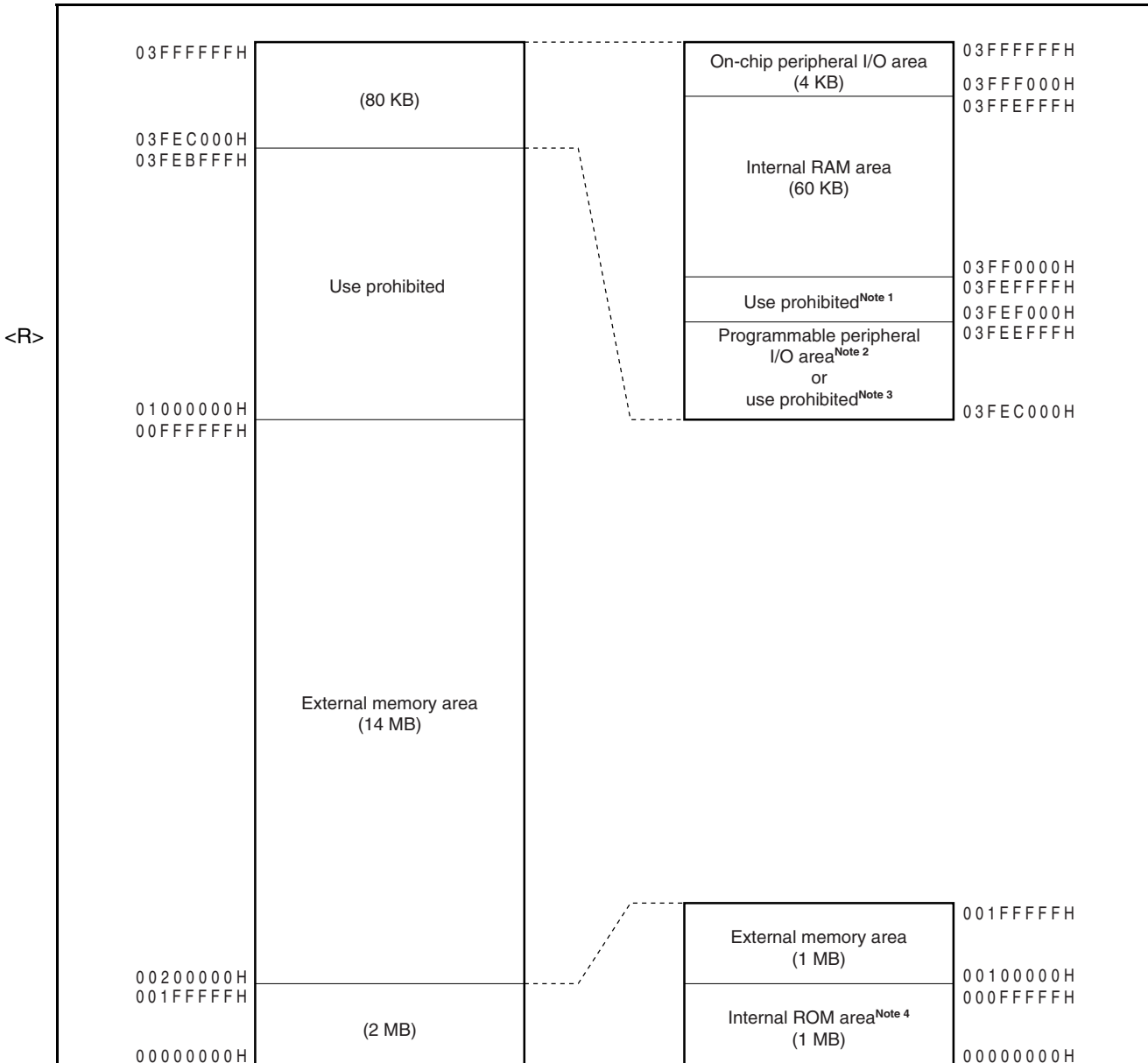
Therefore, the highest address of the data space, FFFFFFFFH, and the lowest address, 00000000H, are contiguous, and wraparound occurs at the boundary of these addresses.



3.4.3 Memory map

The areas shown below are reserved in the V850ES/SG1.

Figure 3-2. Data Memory Map (Physical Addresses)



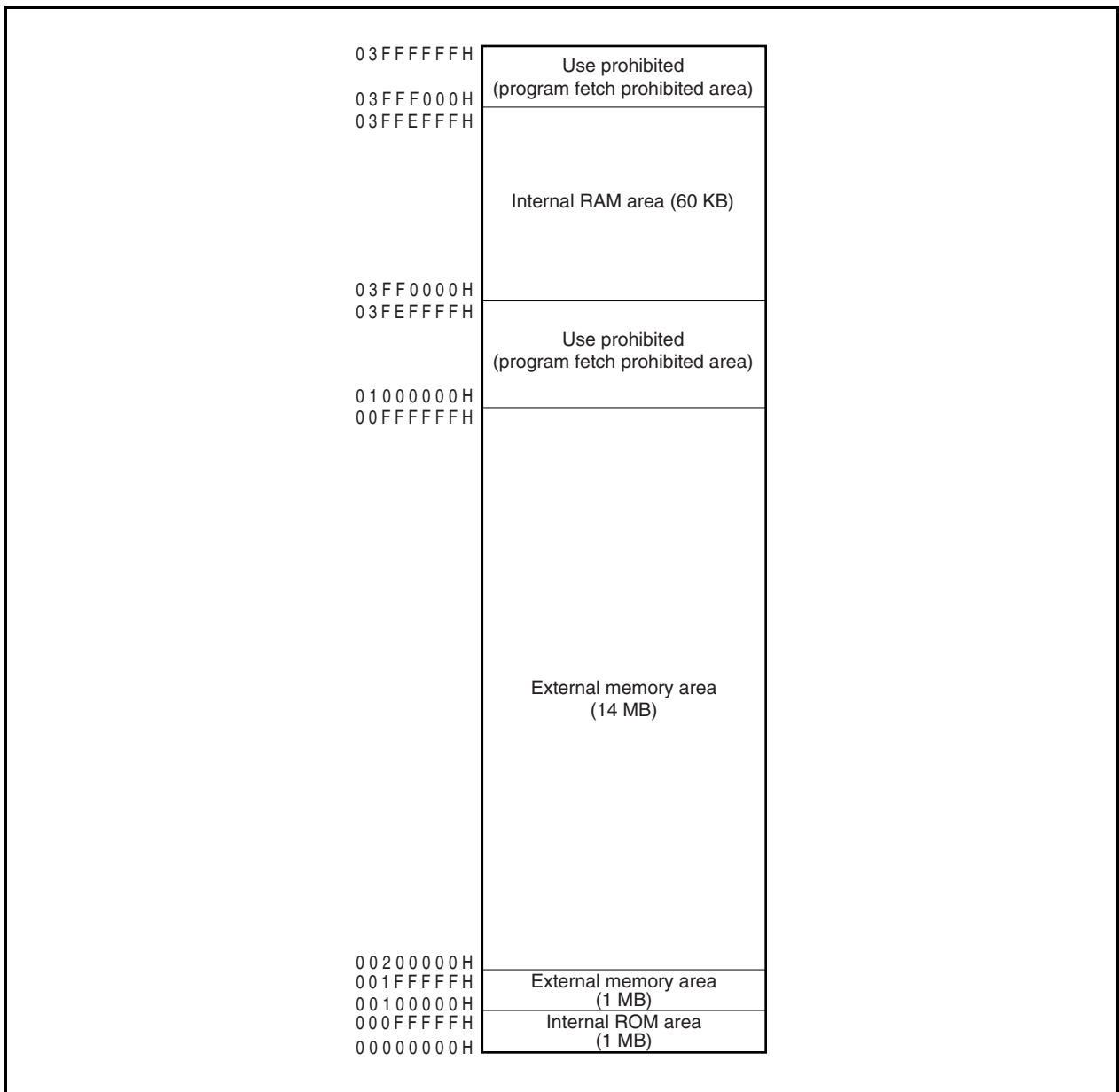
**Notes 1.** Use of addresses 03FEF000H to 03FEFFFFH is prohibited because these addresses are in the same area as the on-chip peripheral I/O area.

**2.** The programmable peripheral I/O area only can be viewed in the 4 GB address space as the image in 256 MB unit.

**3.** Addresses 03FEC000H to 03FEC5FFH are allocated to addresses 03FEC000H to 03FEEFFFFH of the  $\mu$ PD703253Y as a programmable peripheral I/O area. Use of these addresses in the  $\mu$ PD703249Y and 703252Y is prohibited.

**4.** Fetch access and read access to addresses 00000000H to 000FFFFFFH is made to the internal ROM area. However, data write access to these addresses is made to the external memory area.

Figure 3-3. Program Memory Map



3.4.4 Areas

(1) Internal ROM area

Up to 1 MB is reserved as an internal ROM area.

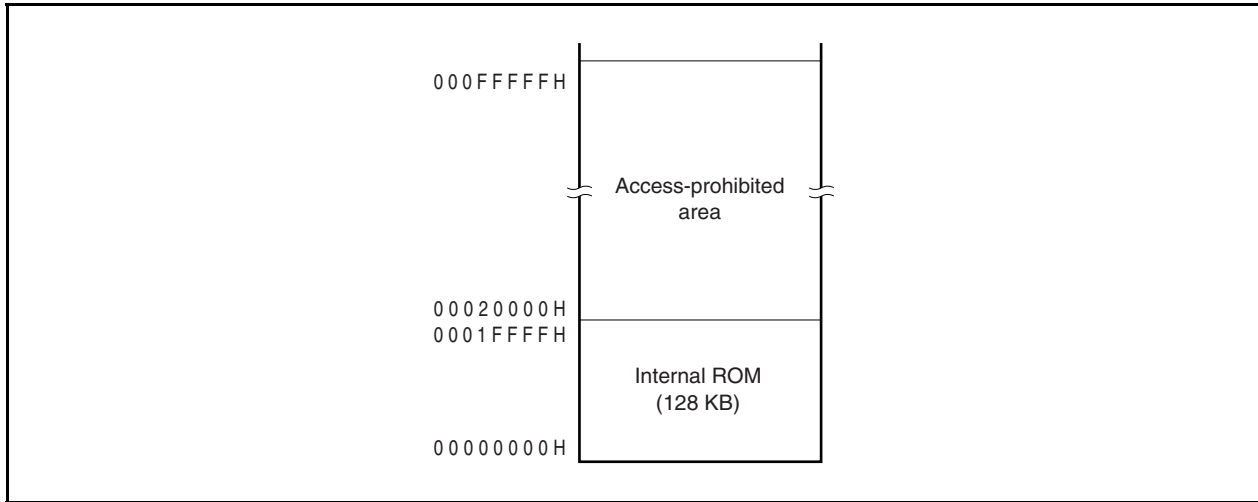
<R>

(a) Internal ROM (128 KB)

128 KB are allocated to addresses 00000000H to 0001FFFFH in the  $\mu$ PD703253Y.

Accessing addresses 00020000H to 000FFFFFFH is prohibited.

Figure 3-4. Internal ROM Area (128 KB)

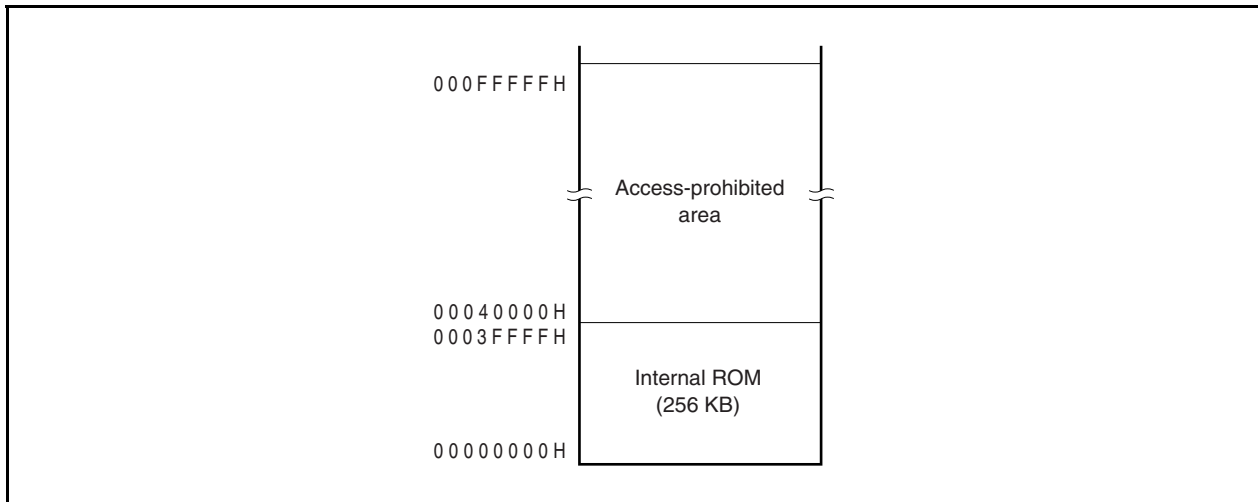


(b) Internal ROM (256 KB)

256 KB are allocated to addresses 00000000H to 0003FFFFH in the  $\mu$ PD703249Y and 703252Y.

Accessing addresses 00040000H to 000FFFFFFH is prohibited.

Figure 3-5. Internal ROM Area (256 KB)





**(2) Internal RAM area**

Up to 60 KB are reserved as the internal RAM area.

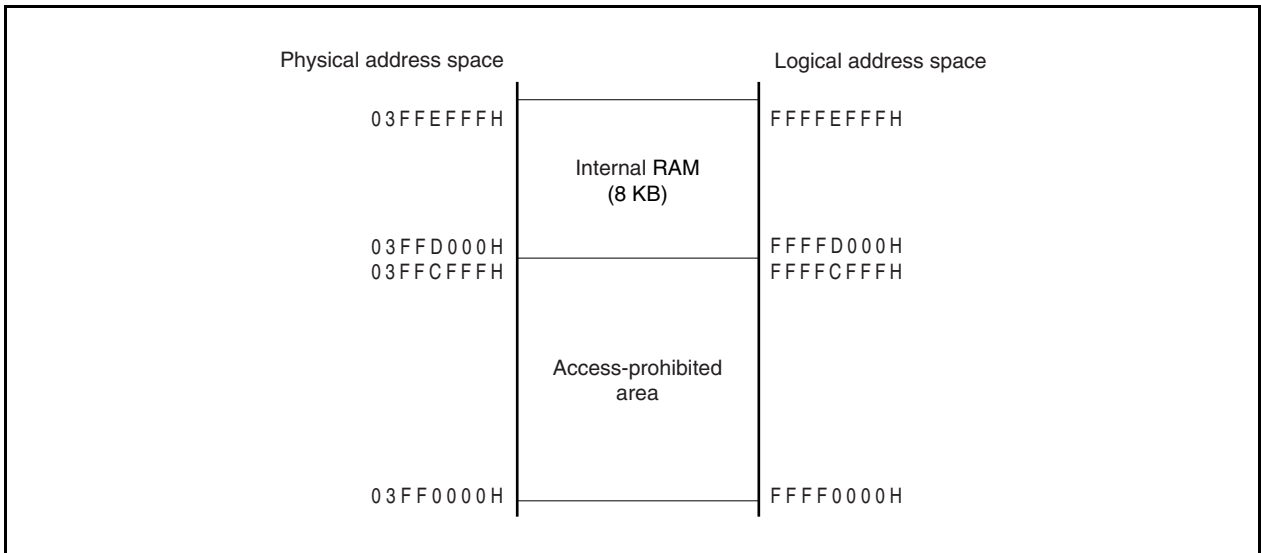
<R>

**(a) Internal RAM (8 KB)**

8 KB are allocated to addresses 03FFD000H to 03FFEFFFH of the  $\mu$ PD703253Y.

Accessing addresses 03FF0000H to 03FFCFFFH is prohibited.

**Figure 3-6. Internal RAM Area (8 KB)**

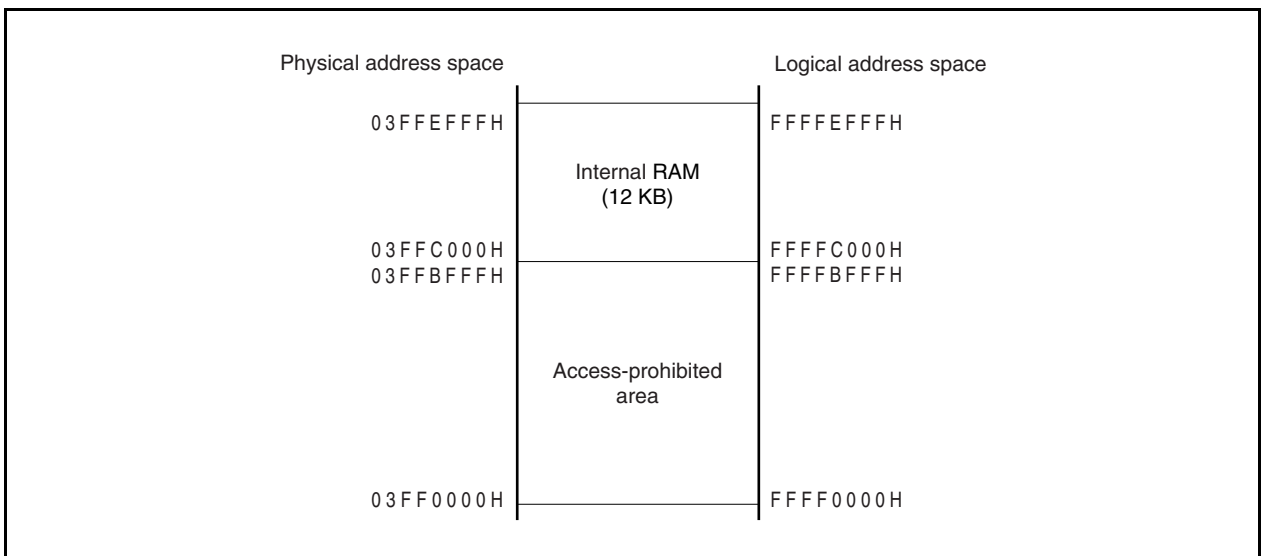


**(b) Internal RAM (12 KB)**

12 KB are allocated to addresses 03FFC000H to 03FFEFFFH in the  $\mu$ PD703249Y and 703252Y.

Accessing addresses 03FF0000H to 03FFBFFFH is prohibited.

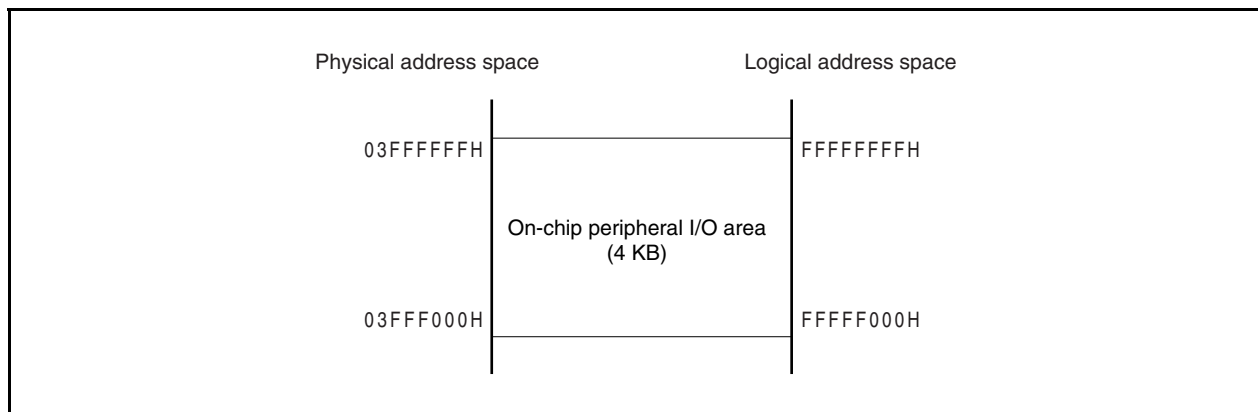
**Figure 3-7. Internal RAM Area (12 KB)**



**(3) On-chip peripheral I/O area**

4 KB of addresses 03FFF000H to 03FFFFFFH are reserved as the on-chip peripheral I/O area.

**Figure 3-8. On-Chip Peripheral I/O Area**



Peripheral I/O registers that have functions to specify the operation mode for and monitor the status of the on-chip peripheral I/O are mapped to the on-chip peripheral I/O area. Program cannot be fetched from this area.

- Cautions**
1. When a register is accessed in word units, a word area is accessed twice in halfword units in the order of lower area and higher area, with the lower 2 bits of the address ignored.
  2. If a register that can be accessed in byte units is accessed in halfword units, the higher 8 bits are undefined when the register is read, and data is written to the lower 8 bits.
  3. Addresses not defined as registers are reserved for future expansion. The operation is undefined and not guaranteed when these addresses are accessed.
  4. The internal ROM/RAM area and on-chip peripheral I/O area are assigned to successive addresses. When accessing the internal ROM/RAM area by incrementing or decrementing addresses using pointer operations and such, therefore, be careful not to access the onchip peripheral I/O area by mistakenly extending over the internal ROM/RAM area boundary.

<R>

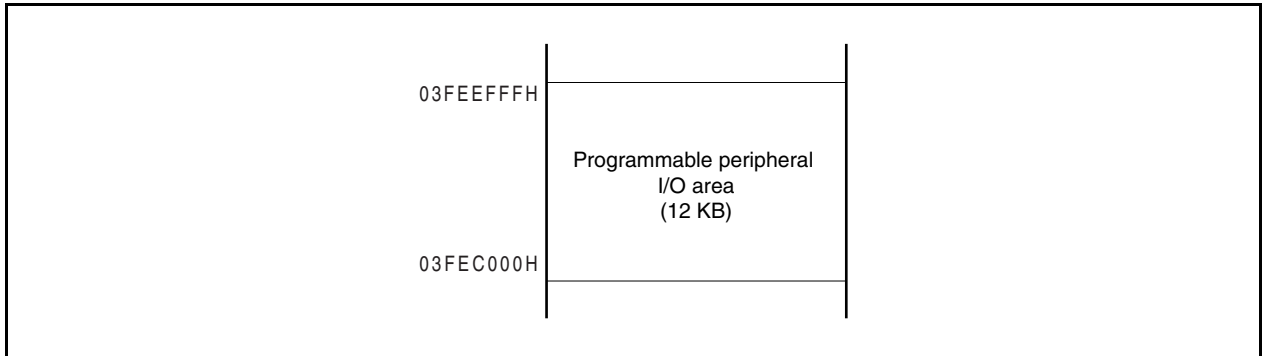
&lt;R&gt;

**(4) Programmable peripheral I/O area**

- Cautions**
1. The programmable peripheral I/O area exists only in the  $\mu$ PD703253Y. This area cannot be used in the  $\mu$ PD703249Y and 703252Y.
  2. The programmable peripheral I/O area is seen as images of 256 MB each in the 4 GB address space.

12 KB of addresses 03FEC000H to 03FEEFFFH are reserved as the programmable peripheral I/O area.

**Figure 3-9. Programmable Peripheral I/O Area**

**(5) External memory area**

15 MB (00100000H to 00FFFFFFFH) are allocated as the external memory area. For details, see **CHAPTER 5 BUS CONTROL FUNCTION**.

&lt;R&gt;

**Caution** The V850ES/SG1 has 22 address pins (A0 to A21), so the external memory area appears as a repeated 4 MB image. When A20 and A21 are used, it is necessary that  $EV_{DD} = BV_{DD} = V_{DD}$ .

### 3.4.5 Recommended use of address space

The architecture of the V850ES/SG1 requires that a register that serves as a pointer be secured for address generation when operand data in the data space is accessed. The address stored in this pointer  $\pm 32$  KB can be directly accessed by an instruction for operand data. Because the number of general-purpose registers that can be used as a pointer is limited, however, by keeping the performance from dropping during address calculation when a pointer value is changed, as many general-purpose registers as possible can be secured for variables, and the program size can be reduced.

#### (1) Program space

Of the 32 bits of the PC (program counter), the higher 6 bits are fixed to 0, and only the lower 26 bits are valid. Regarding the program space, therefore, a 64 MB space of contiguous addresses starting from 00000000H unconditionally corresponds to the memory map.

To use the internal RAM area as the program space, access the following addresses.

**Caution** If a branch instruction is at the upper limit of the internal RAM area, a prefetch operation (invalid fetch) straddling the on-chip peripheral I/O area does not occur.

RAM Size	Access Address
12 KB	03FFC000H to 03FFEFFFH
8 KB	03FFD000H to 03FFEFFFH

<R>

#### (2) Data space

With the V850ES/SG1, it seems that there are sixty-four 64 MB address spaces on the 4 GB CPU address space. Therefore, the least significant bit (bit 25) of a 26-bit address is sign-extended to 32 bits and allocated as an address.

**(a) Application example of wraparound**

If R = r0 (zero register) is specified for the LD/ST disp16 [R] instruction, a range of addresses 00000000H  $\pm$ 32 KB can be addressed by sign-extended disp16. All the resources, including the internal hardware, can be addressed by one pointer.

The zero register (r0) is a register fixed to 0 by hardware, and practically eliminates the need for registers dedicated to pointers.

**Example**  $\mu$ PD703253Y

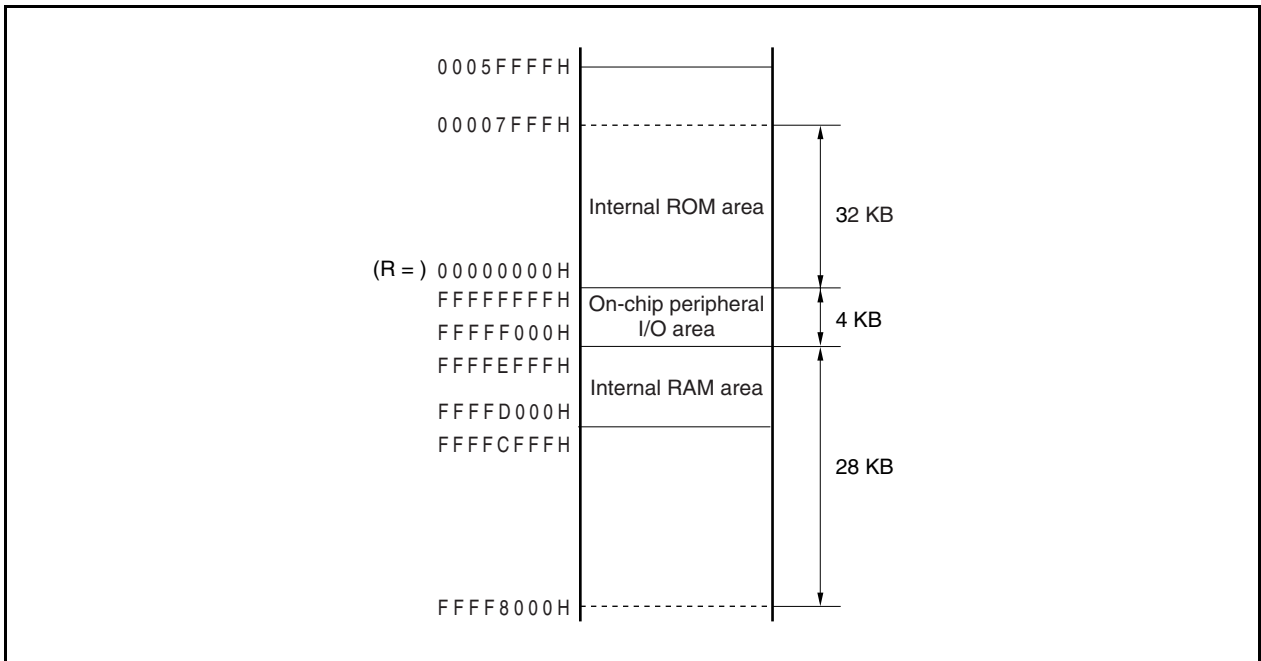
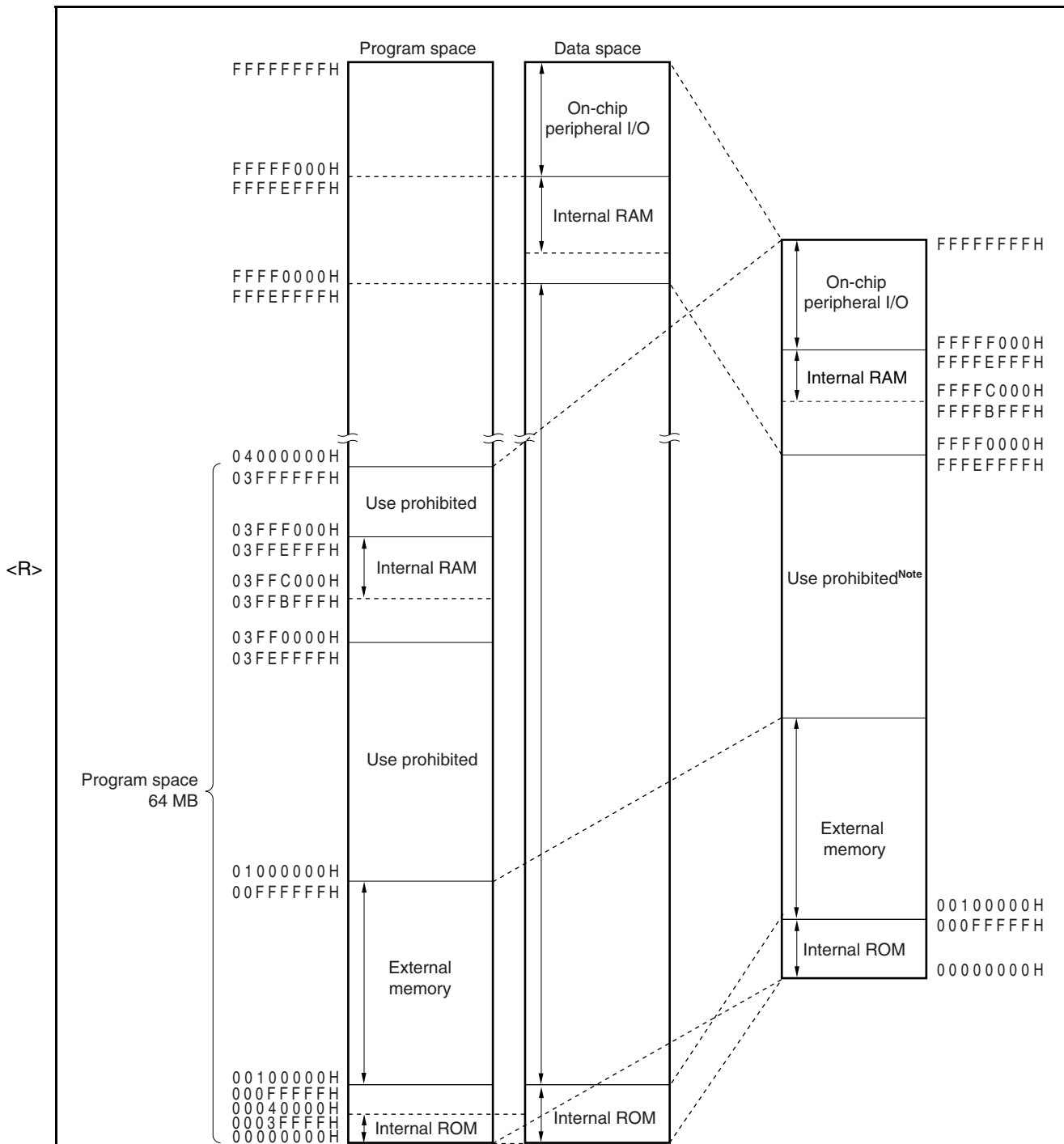


Figure 3-10. Recommended Memory Map



**Note** In the  $\mu$ PD703253Y, the data space of addresses 03FEC000H to 03FEEFFFH is assigned as the programmable peripheral I/O area. Only the programmable peripheral I/O area is seen as images of 256 MB each in the 4 GB address space.

**Remarks 1.**  $\updownarrow$  indicates the recommended area.

**2.** This figure is the recommended memory map of the  $\mu$ PD703249Y.

## 3.4.6 Peripheral I/O registers

(1/10)

Address	Function Register Name	Symbol	R/W	Manipulatable Bits			Default Value
				1	8	16	
FFFFF004H	Port DL register	PDL	R/W			√	0000H <sup>Note 1</sup>
FFFFF004H	Port DL register L	PDLL		√	√		00H <sup>Note 1</sup>
FFFFF005H	Port DL register H	PDLH		√	√		00H <sup>Note 1</sup>
FFFFF006H	Port DH register	PDH		√	√		00H <sup>Note 1</sup>
FFFFF00AH	Port CT register	PCT		√	√		00H <sup>Note 1</sup>
FFFFF00CH	Port CM register	PCM		√	√		00H <sup>Note 1</sup>
FFFFF024H	Port DL mode register	PMDL				√	FFFFH
FFFFF024H	Port DL mode register L	PMDLL		√	√		FFH
FFFFF025H	Port DL mode register H	PMDLH		√	√		FFH
FFFFF026H	Port DH mode register	PMDH		√	√		FFH
FFFFF02AH	Port CT mode register	PMCT		√	√		FFH
FFFFF02CH	Port CM mode register	PMCM		√	√		FFH
FFFFF044H	Port DL mode control register	PMCDL				√	0000H
FFFFF044H	Port DL mode control register L	PMCDLL		√	√		00H
FFFFF045H	Port DL mode control register H	PMCDLH		√	√		00H
FFFFF046H	Port DH mode control register	PMCDH		√	√		00H
FFFFF04AH	Port CT mode control register	PMCCCT		√	√		00H
FFFFF04CH	Port CM mode control register	PMCCM		√	√		00H
<R> FFFFF064H	Peripheral I/O area select control register	BPC <sup>Note 2</sup>				√	0000H
FFFFF066H	Bus size configuration register	BSC				√	5555H
FFFFF06EH	System wait control register	VSWC		√		77H	
<R> FFFFF080H	DMA source address register 0L	DSA0L <sup>Note 2</sup>			√	Undefined	
<R> FFFFF082H	DMA source address register 0H	DSA0H <sup>Note 2</sup>			√	Undefined	
<R> FFFFF084H	DMA destination address register 0L	DDA0L <sup>Note 2</sup>			√	Undefined	
<R> FFFFF086H	DMA destination address register 0H	DDA0H <sup>Note 2</sup>			√	Undefined	
<R> FFFFF088H	DMA source address register 1L	DSA1L <sup>Note 2</sup>			√	Undefined	
<R> FFFFF08AH	DMA source address register 1H	DSA1H <sup>Note 2</sup>			√	Undefined	
<R> FFFFF08CH	DMA destination address register 1L	DDA1L <sup>Note 2</sup>			√	Undefined	
<R> FFFFF08EH	DMA destination address register 1H	DDA1H <sup>Note 2</sup>			√	Undefined	
<R> FFFFF090H	DMA source address register 2L	DSA2L <sup>Note 2</sup>			√	Undefined	
<R> FFFFF092H	DMA source address register 2H	DSA2H <sup>Note 2</sup>			√	Undefined	
<R> FFFFF094H	DMA destination address register 2L	DDA2L <sup>Note 2</sup>			√	Undefined	
<R> FFFFF096H	DMA destination address register 2H	DDA2H <sup>Note 2</sup>			√	Undefined	
<R> FFFFF098H	DMA source address register 3L	DSA3L <sup>Note 2</sup>			√	Undefined	
<R> FFFFF09AH	DMA source address register 3H	DSA3H <sup>Note 2</sup>			√	Undefined	
<R> FFFFF09CH	DMA destination address register 3L	DDA3L <sup>Note 2</sup>			√	Undefined	
<R> FFFFF09EH	DMA destination address register 3H	DDA3H <sup>Note 2</sup>			√	Undefined	
<R> FFFFF0C0H	DMA transfer count register 0	DBC0 <sup>Note 2</sup>			√	Undefined	
<R> FFFFF0C2H	DMA transfer count register 1	DBC1 <sup>Note 2</sup>			√	Undefined	
<R> FFFFF0C4H	DMA transfer count register 2	DBC2 <sup>Note 2</sup>			√	Undefined	

**Notes** 1. The output latch is 00H or 0000H. When these registers are in the input mode, the pin statuses are read.

2.  $\mu$ PD703253Y only

	Address	Function Register Name	Symbol	R/W	Manipulatable Bits			Default Value
					1	8	16	
<R>	FFFFF0C6H	DMA transfer count register 3	DBC3 <sup>Note</sup>	R/W			√	Undefined
<R>	FFFFF0D0H	DMA addressing control register 0	DADC0 <sup>Note</sup>				√	0000H
<R>	FFFFF0D2H	DMA addressing control register 1	DADC1 <sup>Note</sup>				√	0000H
<R>	FFFFF0D4H	DMA addressing control register 2	DADC2 <sup>Note</sup>				√	0000H
<R>	FFFFF0D6H	DMA addressing control register 3	DADC3 <sup>Note</sup>				√	0000H
<R>	FFFFF0E0H	DMA channel control register 0	DCHC0 <sup>Note</sup>		√	√		00H
<R>	FFFFF0E2H	DMA channel control register 1	DCHC1 <sup>Note</sup>		√	√		00H
<R>	FFFFF0E4H	DMA channel control register 2	DCHC2 <sup>Note</sup>		√	√		00H
<R>	FFFFF0E6H	DMA channel control register 3	DCHC3 <sup>Note</sup>		√	√		00H
	FFFFF100H	Interrupt mask register 0	IMR0				√	FFFFH
	FFFFF100H	Interrupt mask register 0L	IMR0L		√	√		FFH
	FFFFF101H	Interrupt mask register 0H	IMR0H		√	√		FFH
	FFFFF102H	Interrupt mask register 1	IMR1				√	FFFFH
	FFFFF102H	Interrupt mask register 1L	IMR1L		√	√		FFH
	FFFFF103H	Interrupt mask register 1H	IMR1H		√	√		FFH
	FFFFF104H	Interrupt mask register 2	IMR2				√	FFFFH
	FFFFF104H	Interrupt mask register 2L	IMR2L		√	√		FFH
	FFFFF105H	Interrupt mask register 2H	IMR2H		√	√		FFH
	FFFFF106H	Interrupt mask register 3	IMR3				√	FFFFH
	FFFFF106H	Interrupt mask register 3L	IMR3L		√	√		FFH
	FFFFF107H	Interrupt mask register 3H	IMR3H		√	√		FFH
	FFFFF112H	Interrupt control register	PIC0		√	√		47H
	FFFFF114H	Interrupt control register	PIC1		√	√		47H
	FFFFF116H	Interrupt control register	PIC2		√	√		47H
	FFFFF118H	Interrupt control register	PIC3		√	√		47H
	FFFFF11AH	Interrupt control register	PIC4		√	√		47H
	FFFFF11CH	Interrupt control register	PIC5		√	√		47H
	FFFFF11EH	Interrupt control register	PIC6		√	√		47H
	FFFFF120H	Interrupt control register	PIC7		√	√		47H
	FFFFF12CH	Interrupt control register	TP0OVIC		√	√		47H
	FFFFF12EH	Interrupt control register	TP0CCIC0		√	√		47H
	FFFFF130H	Interrupt control register	TP0CCIC1		√	√		47H
	FFFFF132H	Interrupt control register	TP1OVIC		√	√		47H
	FFFFF134H	Interrupt control register	TP1CCIC0		√	√		47H
	FFFFF136H	Interrupt control register	TP1CCIC1		√	√		47H
	FFFFF138H	Interrupt control register	TP2OVIC		√	√		47H
	FFFFF13AH	Interrupt control register	TP2CCIC0		√	√		47H
	FFFFF13CH	Interrupt control register	TP2CCIC1		√	√		47H
	FFFFF13EH	Interrupt control register	TP3OVIC		√	√		47H
	FFFFF140H	Interrupt control register	TP3CCIC0		√	√		47H
	FFFFF142H	Interrupt control register	TP3CCIC1		√	√		47H
	FFFFF144H	Interrupt control register	TP4OVIC		√	√		47H

<R> **Note**  $\mu$ PD703253Y only



	Address	Function Register Name	Symbol	R/W	Manipulatable Bits			Default Value
					1	8	16	
	FFFFF146H	Interrupt control register	TP4CCIC0	R/W	√	√		47H
	FFFFF148H	Interrupt control register	TP4CCIC1		√	√		47H
<R>	FFFFF14AH	Interrupt control register	TP5OVIC <sup>Note 1</sup>		√	√		47H
<R>	FFFFF14CH	Interrupt control register	TP5CCIC0 <sup>Note 1</sup>		√	√		47H
<R>	FFFFF14EH	Interrupt control register	TP5CCIC1 <sup>Note 1</sup>		√	√		47H
	FFFFF150H	Interrupt control register	TM0EQIC0		√	√		47H
	FFFFF152H	Interrupt control register	CB0RIC/IICIC1		√	√		47H
	FFFFF154H	Interrupt control register	CB0TIC		√	√		47H
	FFFFF156H	Interrupt control register	CB1RIC		√	√		47H
	FFFFF158H	Interrupt control register	CB1TIC		√	√		47H
	FFFFF15EH	Interrupt control register	CB3RIC		√	√		47H
	FFFFF160H	Interrupt control register	CB3TIC		√	√		47H
	FFFFF162H	Interrupt control register	UA0RIC		√	√		47H
	FFFFF164H	Interrupt control register	UA0TIC		√	√		47H
	FFFFF166H	Interrupt control register	UA1RIC		√	√		47H
	FFFFF168H	Interrupt control register	UA1TIC		√	√		47H
	FFFFF16AH	Interrupt control register	IICIC0		√	√		47H
	FFFFF16EH	Interrupt control register	ADIC		√	√		47H
<R>	FFFFF170H	Interrupt control register	DMAIC0 <sup>Note 1</sup>		√	√		47H
<R>	FFFFF172H	Interrupt control register	DMAIC1 <sup>Note 1</sup>		√	√		47H
<R>	FFFFF174H	Interrupt control register	DMAIC2 <sup>Note 1</sup>		√	√		47H
<R>	FFFFF176H	Interrupt control register	DMAIC3 <sup>Note 1</sup>		√	√		47H
	FFFFF178H	Interrupt control register	KRIC		√	√		47H
	FFFFF17AH	Interrupt control register	WTIIC		√	√		47H
	FFFFF17CH	Interrupt control register	WTIC		√	√		47H
<R>	FFFFF17EH	Interrupt control register	ERRIC0 <sup>Note 1</sup> /ERRIC <sup>Note 2</sup>		√	√		47H
<R>	FFFFF180H	Interrupt control register	WUPIC0 <sup>Note 1</sup> /STAIC <sup>Note 2</sup>		√	√		47H
<R>	FFFFF182H	Interrupt control register	RECIC0 <sup>Note 1</sup> /IEIC1 <sup>Note 2</sup>		√	√		47H
<R>	FFFFF184H	Interrupt control register	TRXIC0 <sup>Note 1</sup> /IEIC2 <sup>Note 2</sup>		√	√		47H
	FFFFF1FAH	In-service priority register	ISPR	R	√	√		00H
	FFFFF1FCH	Command register	PRCMD	W		√		Undefined
	FFFFF1FEH	Power save control register	PSC	R/W	√	√		00H
	FFFFF200H	A/D converter mode register 0	ADA0M0		√	√		00H
	FFFFF201H	A/D converter mode register 1	ADA0M1		√	√		00H
	FFFFF202H	A/D converter channel specification register	ADA0S		√	√		00H
	FFFFF203H	A/D converter mode register 2	ADA0M2		√	√		00H
	FFFFF204H	Power-fail compare mode register	ADA0PFM		√	√		00H
	FFFFF205H	Power-fail compare threshold value register	ADA0PFT		√	√		00H

<R> **Notes** 1.  $\mu$ PD703253Y only  
2.  $\mu$ PD703252Y only

Address	Function Register Name	Symbol	R/W	Manipulatable Bits			Default Value
				1	8	16	
FFFFF210H	A/D conversion result register 0	ADA0CR0	R			√	Undefined
FFFFF211H	A/D conversion result register 0H	ADA0CR0H			√		Undefined
FFFFF212H	A/D conversion result register 1	ADA0CR1				√	Undefined
FFFFF213H	A/D conversion result register 1H	ADA0CR1H			√		Undefined
FFFFF214H	A/D conversion result register 2	ADA0CR2				√	Undefined
FFFFF215H	A/D conversion result register 2H	ADA0CR2H			√		Undefined
FFFFF216H	A/D conversion result register 3	ADA0CR3				√	Undefined
FFFFF217H	A/D conversion result register 3H	ADA0CR3H			√		Undefined
FFFFF218H	A/D conversion result register 4	ADA0CR4				√	Undefined
FFFFF219H	A/D conversion result register 4H	ADA0CR4H			√		Undefined
FFFFF21AH	A/D conversion result register 5	ADA0CR5				√	Undefined
FFFFF21BH	A/D conversion result register 5H	ADA0CR5H			√		Undefined
FFFFF21CH	A/D conversion result register 6	ADA0CR6				√	Undefined
FFFFF21DH	A/D conversion result register 6H	ADA0CR6H			√		Undefined
FFFFF21EH	A/D conversion result register 7	ADA0CR7				√	Undefined
FFFFF21FH	A/D conversion result register 7H	ADA0CR7H			√		Undefined
FFFFF220H	A/D conversion result register 8	ADA0CR8				√	Undefined
FFFFF221H	A/D conversion result register 8H	ADA0CR8H			√		Undefined
FFFFF222H	A/D conversion result register 9	ADA0CR9				√	Undefined
FFFFF223H	A/D conversion result register 9H	ADA0CR9H			√		Undefined
FFFFF224H	A/D conversion result register 10	ADA0CR10				√	Undefined
FFFFF225H	A/D conversion result register 10H	ADA0CR10H			√		Undefined
FFFFF226H	A/D conversion result register 11	ADA0CR11				√	Undefined
FFFFF227H	A/D conversion result register 11H	ADA0CR11H			√		Undefined
<R> FFFFF280H	D/A converter conversion value setting register 0	DA0CS0 <sup>Note</sup>	R/W		√		00H
<R> FFFFF281H	D/A converter conversion value setting register 1	DA0CS1 <sup>Note</sup>			√		00H
<R> FFFFF282H	D/A converter mode register	DA0M <sup>Note</sup>		√	√		00H
FFFFF300H	Key return mode register	KRM		√	√		00H
FFFFF318H	Noise elimination control register	NFC			√		00H
FFFFF320H	BRG1 prescaler mode register	PRSM1		√	√		00H
FFFFF321H	BRG1 prescaler compare register	PRSCM1			√		00H
FFFFF340H	IIC division clock select register	OCKS0			√		00H
FFFFF344H	IIC division clock select register	OCKS1			√		00H
FFFFF348H	IEBus clock select register	OCKS2 <sup>Note 1</sup>			√		00H
FFFFF360H	IEBus control register	BCR <sup>Note 1</sup>		√	√		00H
FFFFF361H	IEBus power save register	PSR <sup>Note 1</sup>		√	√		00H
FFFFF362H	IEBus slave status register	SSR <sup>Note 1</sup>	R	√	√		81H
FFFFF363H	IEBus unit status register	USR <sup>Note 1</sup>		√	√		00H
FFFFF364H	IEBus interrupt status register	ISR <sup>Note 1</sup>	R/W	√	√		00H
FFFFF365H	IEBus error status register	ESR <sup>Note 1</sup>		√	√		00H
FFFFF366H	IEBus unit address register	UAR <sup>Note 1</sup>				√	0000H

<R> **Note**  $\mu$ PD703253Y only

Address	Function Register Name	Symbol	R/W	Manipulatable Bits			Default Value
				1	8	16	
FFFFF368H	IEBus slave address register	SAR <sup>Note 1</sup>	R/W			√	0000H
FFFFF36AH	IEBus partner address register	PAR <sup>Note 1</sup>	R			√	0000H
FFFFF36CH	IEBus receive address register	PSR <sup>Note 1</sup>				√	0000H
FFFFF36EH	IEBus control data register	CDR <sup>Note 1</sup>	R/W		√		00H
FFFFF36FH	IEBus telegraph length register	CLR <sup>Note 1</sup>			√		01H
FFFFF370H	IEBus data register	DR <sup>Note 1</sup>			√		00H
FFFFF371H	IEBus field status register	FSR <sup>Note 1</sup>			√		00H
FFFFF372H	IEBus success count register	SCR <sup>Note 1</sup>			√		01H
FFFFF373H	IEBus communication count register	CCR <sup>Note 1</sup>			√		20H
FFFFF400H	Port 0 register	P0		√	√		00H <sup>Note 2</sup>
FFFFF402H	Port 1 register	P1		√	√		00H <sup>Note 2</sup>
FFFFF406H	Port 3 register	P3			√	0000H <sup>Note 2</sup>	
FFFFF406H	Port 3 register L	P3L	√	√		00H <sup>Note 2</sup>	
FFFFF407H	Port 3 register H	P3H	√	√		00H <sup>Note 2</sup>	
FFFFF408H	Port 4 register	P4	√	√		00H <sup>Note</sup>	
FFFFF40AH	Port 5 register	P5	√	√		00H <sup>Note</sup>	
FFFFF40EH	Port 7 register L	P7L	√	√		00H <sup>Note</sup>	
FFFFF40FH	Port 7 register H	P7H	√	√		00H <sup>Note 2</sup>	
FFFFF412H	Port 9 register	P9			√	0000H <sup>Note 2</sup>	
FFFFF412H	Port 9 register L	P9L	√	√		00H <sup>Note 2</sup>	
FFFFF413H	Port 9 register H	P9H	√	√		00H <sup>Note 2</sup>	
FFFFF420H	Port 0 mode register	PM0	√	√		FFH	
FFFFF422H	Port 1 mode register	PM1	√	√		FFH	
FFFFF426H	Port 3 mode register	PM3			√	FFFFH	
FFFFF426H	Port 3 mode register L	PM3L	√	√		FFH	
FFFFF427H	Port 3 mode register H	PM3H	√	√		FFH	
FFFFF428H	Port 4 mode register	PM4	√	√		FFH	
FFFFF42AH	Port 5 mode register	PM5	√	√		FFH	
FFFFF42EH	Port 7 mode register L	PM7L	√	√		FFH	
FFFFF42FH	Port 7 mode register H	PM7H	√	√		FFH	
FFFFF432H	Port 9 mode register	PM9			√	FFFFH	
FFFFF432H	Port 9 mode register L	PM9L	√	√		FFH	
FFFFF433H	Port 9 mode register H	PM9H	√	√		FFH	
FFFFF440H	Port 0 mode control register	PMC0	√	√		00H	
FFFFF446H	Port 3 mode control register	PMC3			√	0000H	
FFFFF446H	Port 3 mode control register L	PMC3L	√	√		00H	
FFFFF447H	Port 3 mode control register H	PMC3H	√	√		00H	
FFFFF448H	Port 4 mode control register	PMC4	√	√		00H	

**Notes** 1.  $\mu$ PD703252Y only

2. The output latch is 00H or 0000H. When these registers are input, the pin statuses are read.

Address	Function Register Name	Symbol	R/W	Manipulatable Bits			Default Value	
				1	8	16		
FFFFF44AH	Port 5 mode control register	PMC5	R/W	√	√		00H	
FFFFF452H	Port 9 mode control register	PMC9				√	0000H	
FFFFF452H	Port 9 mode control register L	PMC9L		√	√		00H	
FFFFF453H	Port 9 mode control register H	PMC9H		√	√		00H	
FFFFF460H	Port 0 function control register	PFC0		√	√		00H	
FFFFF466H	Port 3 function control register	PFC3				√	0000H	
FFFFF466H	Port 3 function control register L	PFC3L		√	√		00H	
FFFFF467H	Port 3 function control register H	PFC3H		√	√		00H	
FFFFF468H	Port 4 function control register	PFC4		√	√		00H	
FFFFF46AH	Port 5 function control register	PFC5		√	√		00H	
FFFFF472H	Port 9 function control register	PFC9				√	0000H	
FFFFF472H	Port 9 function control register L	PFC9L		√	√		00H	
FFFFF473H	Port 9 function control register H	PFC9H		√	√		00H	
FFFFF484H	Data wait control register 0	DWC0				√	7777H	
FFFFF488H	Address wait control register	AWC				√	FFFFH	
FFFFF48AH	Bus cycle control register	BCC				√	AAAAH	
FFFFF590H	TMP0 control register 0	TP0CTL0		√	√		00H	
FFFFF591H	TMP0 control register 1	TP0CTL1		√	√		00H	
FFFFF592H	TMP0 I/O control register 0	TP0IOC0		√	√		00H	
FFFFF593H	TMP0 I/O control register 1	TP0IOC1		√	√		00H	
FFFFF594H	TMP0 I/O control register 2	TP0IOC2		√	√		00H	
FFFFF595H	TMP0 option register 0	TP0OPT0		√	√		00H	
FFFFF596H	TMP0 capture/compare register 0	TP0CCR0				√	0000H	
FFFFF598H	TMP0 capture/compare register 1	TP0CCR1				√	0000H	
FFFFF59AH	TMP0 counter read buffer register	TP0CNT		R		√	0000H	
FFFFF5A0H	TMP1 control register 0	TP1CTL0		R/W	√	√		00H
FFFFF5A1H	TMP1 control register 1	TP1CTL1			√	√		00H
FFFFF5A2H	TMP1 I/O control register 0	TP1IOC0	√		√		00H	
FFFFF5A3H	TMP1 I/O control register 1	TP1IOC1	√		√		00H	
FFFFF5A4H	TMP1 I/O control register 2	TP1IOC2	√		√		00H	
FFFFF5A5H	TMP1 option register 0	TP1OPT0	√		√		00H	
FFFFF5A6H	TMP1 capture/compare register 0	TP1CCR0				√	0000H	
FFFFF5A8H	TMP1 capture/compare register 1	TP1CCR1				√	0000H	
FFFFF5AAH	TMP1 counter read buffer register	TP1CNT	R			√	0000H	
FFFFF5B0H	TMP2 control register 0	TP2CTL0	R/W	√	√		00H	
FFFFF5B1H	TMP2 control register 1	TP2CTL1		√	√		00H	
FFFFF5B2H	TMP2 I/O control register 0	TP2IOC0		√	√		00H	
FFFFF5B3H	TMP2 I/O control register 1	TP2IOC1		√	√		00H	
FFFFF5B4H	TMP2 I/O control register 2	TP2IOC2		√	√		00H	
FFFFF5B5H	TMP2 option register 0	TP2OPT0		√	√		00H	
FFFFF5B6H	TMP2 capture/compare register 0	TP2CCR0				√	0000H	
FFFFF5B8H	TMP2 capture/compare register 1	TP2CCR1				√	0000H	
FFFFF5BAH	TMP2 counter read buffer register	TP2CNT		R		√	0000H	

Address	Function Register Name	Symbol	R/W	Manipulatable Bits			Default Value
				1	8	16	
FFFFF5C0H	TMP3 control register 0	TP3CTL0	R/W	√	√		00H
FFFFF5C1H	TMP3 control register 1	TP3CTL1		√	√		00H
FFFFF5C2H	TMP3 I/O control register 0	TP3IOC0		√	√		00H
FFFFF5C3H	TMP3 I/O control register 1	TP3IOC1		√	√		00H
FFFFF5C4H	TMP3 I/O control register 2	TP3IOC2		√	√		00H
FFFFF5C5H	TMP3 option register 0	TP3OPT0		√	√		00H
FFFFF5C6H	TMP3 capture/compare register 0	TP3CCR0				√	0000H
FFFFF5C8H	TMP3 capture/compare register 1	TP3CCR1				√	0000H
FFFFF5CAH	TMP3 counter read buffer register	TP3CNT	R			√	0000H
FFFFF5D0H	TMP4 control register 0	TP4CTL0	R/W	√	√		00H
FFFFF5D1H	TMP4 control register 1	TP4CTL1		√	√		00H
FFFFF5D2H	TMP4 I/O control register 0	TP4IOC0		√	√		00H
FFFFF5D3H	TMP4 I/O control register 1	TP4IOC1		√	√		00H
FFFFF5D4H	TMP4 I/O control register 2	TP4IOC2		√	√		00H
FFFFF5D5H	TMP4 option register 0	TP4OPT0		√	√		00H
FFFFF5D6H	TMP4 capture/compare register 0	TP4CCR0				√	0000H
FFFFF5D8H	TMP4 capture/compare register 1	TP4CCR1				√	0000H
FFFFF5DAH	TMP4 counter read buffer register	TP4CNT	R			√	0000H
<R> FFFFF5E0H	TMP5 control register 0	TP5CTL0 <sup>Note</sup>	R/W	√	√		00H
<R> FFFFF5E1H	TMP5 control register 1	TP5CTL1 <sup>Note</sup>		√	√		00H
<R> FFFFF5E2H	TMP5 I/O control register 0	TP5IOC0 <sup>Note</sup>		√	√		00H
<R> FFFFF5E3H	TMP5 I/O control register 1	TP5IOC1 <sup>Note</sup>		√	√		00H
<R> FFFFF5E4H	TMP5 I/O control register 2	TP5IOC2 <sup>Note</sup>		√	√		00H
<R> FFFFF5E5H	TMP5 option register 0	TP5OPT0 <sup>Note</sup>		√	√		00H
<R> FFFFF5E6H	TMP5 capture/compare register 0	TP5CCR0 <sup>Note</sup>				√	0000H
<R> FFFFF5E8H	TMP5 capture/compare register 1	TP5CCR1 <sup>Note</sup>				√	0000H
<R> FFFFF5EAH	TMP5 counter read buffer register	TP5CNT <sup>Note</sup>	R			√	0000H
FFFFF680H	Watch timer operation mode register	WTM	R/W	√	√		00H
FFFFF690H	TMM0 control register 0	TM0CTL0		√	√		00H
FFFFF694H	TMM0 compare register 0	TM0CMP0				√	0000H
FFFFF6C0H	Oscillation stabilization time select register	OSTS			√		06H
FFFFF6C1H	PLL lockup time specification register	PLLS			√		03H
FFFFF6D0H	Watchdog timer mode register 2	WDTM2			√		67H
FFFFF6D1H	Watchdog timer enable register	WDTE			√		9AH
FFFFF706H	Port 3 function control expansion register L	PFCE3L		√	√		00H
FFFFF70AH	Port 5 function control expansion register	PFCE5		√	√		00H
FFFFF712H	Port 9 function control expansion register	PFCE9				√	0000H
FFFFF712H	Port 9 function control expansion register L	PFCE9L		√	√		00H
FFFFF713H	Port 9 function control expansion register H	PFCE9H		√	√		00H
FFFFF802H	System status register	SYS		√	√		00H
FFFFF80CH	Internal oscillation mode register	RCM		√	√		00H

<R> **Note**  $\mu$ PD703253Y only

	Address	Function Register Name	Symbol	R/W	Manipulatable Bits				Default Value
					1	8	16	32	
<R>	FFFFF810H	DMA trigger factor register 0	DTFR0 <sup>Note 1</sup>	R/W	√	√			00H
<R>	FFFFF812H	DMA trigger factor register 1	DTFR1 <sup>Note 1</sup>		√	√			00H
<R>	FFFFF814H	DMA trigger factor register 2	DTFR2 <sup>Note 1</sup>		√	√			00H
<R>	FFFFF816H	DMA trigger factor register 3	DTFR3 <sup>Note 1</sup>		√	√			00H
	FFFFF820H	Power save mode register	PSMR		√	√			00H
	FFFFF822H	Clock control register	CKC		√	√			0AH
	FFFFF824H	Lock register	LOCKR	R	√	√			00H
	FFFFF828H	Processor clock control register	PCC	R/W	√	√			03H
	FFFFF82CH	PLL control register	PLLCTL		√	√			01H
	FFFFF82EH	CPU operation clock status register	CCLS	R	√	√			00H
	FFFFF840H	Correction address register 0	CORAD0	R/W				√	00000000H
	FFFFF840H	Correction address register 0L	CORAD0L				√		0000H
	FFFFF842H	Correction address register 0H	CORAD0H				√		0000H
	FFFFF844H	Correction address register 1	CORAD1					√	00000000H
	FFFFF844H	Correction address register 1L	CORAD1L				√		0000H
	FFFFF846H	Correction address register 1H	CORAD1H				√		0000H
	FFFFF848H	Correction address register 2	CORAD2					√	00000000H
	FFFFF848H	Correction address register 2L	CORAD2L				√		0000H
	FFFFF84AH	Correction address register 2H	CORAD2H				√		0000H
	FFFFF84CH	Correction address register 3	CORAD3					√	00000000H
	FFFFF84CH	Correction address register 3L	CORAD3L				√		0000H
	FFFFF84EH	Correction address register 3H	CORAD3H				√		0000H
	FFFFF870H	Clock monitor mode register	CLM		√	√			00H
	FFFFF880H	Correction control register	CORCN		√	√			00H
	FFFFF888H	Reset source flag register	RESF		√	√			00H
<R>	FFFFF892H	Internal RAM data status register	RAMS <sup>Note 1</sup>		√	√			01H
	FFFFF8B0H	Prescaler mode register 0	PRSM0		√	√			00H
	FFFFF8B1H	Prescaler compare register 0	PRSCM0			√			00H
	FFFFF9FCH	On-chip debug mode register	OCDM		√	√			01H
	FFFFF9FEH	Peripheral emulation register 1	PEMU1 <sup>Notes 1, 2</sup>		√	√			00H
	FFFFFA00H	UARTA0 control register 0	UA0CTL0		√	√			10H
	FFFFFA01H	UARTA0 control register 1	UA0CTL1			√			00H
	FFFFFA02H	UARTA0 control register 2	UA0CTL2			√			FFH
	FFFFFA03H	UARTA0 option control register 0	UA0OPT0		√	√			14H
	FFFFFA04H	UARTA0 status register	UA0STR		√	√			00H
	FFFFFA06H	UARTA0 receive data register	UA0RX	R		√			FFH
	FFFFFA07H	UARTA0 transmit data register	UA0TX	R/W		√			FFH
	FFFFFA10H	UARTA1 control register 0	UA1CTL0		√	√			10H
	FFFFFA11H	UARTA1 control register 1	UA1CTL1			√			00H
	FFFFFA12H	UARTA1 control register 2	UA1CTL2			√			FFH
	FFFFFA13H	UARTA1 option control register 0	UA1OPT0		√	√			14H

- <R> **Notes** 1.  $\mu$ PD703253Y only  
2. Only during emulation

Address	Function Register Name	Symbol	R/W	Manipulatable Bits			Default Value
				1	8	16	
FFFFFFA14H	UARTA1 status register	UA1STR	R/W	√	√		00H
FFFFFFA16H	UARTA1 receive data register	UA1RX	R		√		FFH
FFFFFFA17H	UARTA1 transmit data register	UA1TX	R/W		√		FFH
FFFFFFC00H	External interrupt falling edge specification register 0	INTF0		√	√		00H
FFFFFFC06H	External interrupt falling edge specification register 3	INTF3		√	√		00H
FFFFFFC13H	External interrupt falling edge specification register 9H	INTF9H		√	√		00H
FFFFFFC20H	External interrupt rising edge specification register 0	INTR0		√	√		00H
FFFFFFC26H	External interrupt rising edge specification register 3	INTR3		√	√		00H
FFFFFFC33H	External interrupt rising edge specification register 9H	INTR9H		√	√		00H
FFFFFFC60H	Port 0 function register	PF0		√	√		00H
FFFFFFC66H	Port 3 function register	PF3				√	0000H
FFFFFFC66H	Port 3 function register L	PF3L		√	√		00H
FFFFFFC67H	Port 3 function register H	PF3H		√	√		00H
FFFFFFC68H	Port 4 function register	PF4		√	√		00H
FFFFFFC6AH	Port 5 function register	PF5		√	√		00H
FFFFFFC72H	Port 9 function register	PF9				√	0000H
FFFFFFC72H	Port 9 function register L	PF9L		√	√		00H
FFFFFFC73H	Port 9 function register H	PF9H		√	√		00H
FFFFFFD00H	CSIB0 control register 0	CB0CTL0		√	√		01H
FFFFFFD01H	CSIB0 control register 1	CB0CTL1		√	√		00H
FFFFFFD02H	CSIB0 control register 2	CB0CTL2			√		00H
FFFFFFD03H	CSIB0 status register	CB0STR		√	√		00H
FFFFFFD04H	CSIB0 receive data register	CB0RX	R			√	0000H
FFFFFFD04H	CSIB0 receive data register L	CB0RXL			√		00H
FFFFFFD06H	CSIB0 transmit data register	CB0TX	R/W			√	0000H
FFFFFFD06H	CSIB0 transmit data register L	CB0TXL			√		00H
FFFFFFD03H	CSIB0 status register	CB0STR		√	√		00H
FFFFFFD10H	CSIB1 control register 0	CB1CTL0		√	√		01H
FFFFFFD11H	CSIB1 control register 1	CB1CTL1		√	√		00H
FFFFFFD12H	CSIB1 control register 2	CB1CTL2			√		00H
FFFFFFD13H	CSIB1 status register	CB1STR		√	√		00H
FFFFFFD14H	CSIB1 receive data register	CB1RX	R			√	0000H
FFFFFFD14H	CSIB1 receive data register L	CB1RXL			√		00H
FFFFFFD16H	CSIB1 transmit data register	CB1TX	R/W			√	0000H
FFFFFFD16H	CSIB1 transmit data register L	CB1TXL			√		00H
FFFFFFD30H	CSIB3 control register 0	CB3CTL0		√	√		01H
FFFFFFD31H	CSIB3 control register 1	CB3CTL1		√	√		00H
FFFFFFD32H	CSIB3 control register 2	CB3CTL2			√		00H
FFFFFFD33H	CSIB3 status register	CB3STR		√	√		00H
FFFFFFD34H	CSIB3 receive data register	CB3RX	R			√	0000H
FFFFFFD34H	CSIB3 receive data register L	CB3RXL			√		00H

Address	Function Register Name	Symbol	R/W	Manipulatable Bits			Default Value
				1	8	16	
FFFFFD36H	CSIB3 transmit data register	CB3TX	R/W			√	0000H
FFFFFD36H	CSIB3 transmit data register L	CB3TXL			√		00H
FFFFFD80H	IIC shift register 0	IIC0			√		00H
FFFFFD82H	IIC control register 0	IICC0		√	√		00H
FFFFFD83H	Slave address register 0	SVA0			√		00H
FFFFFD84H	IIC clock select register 0	IICCL0		√	√		00H
FFFFFD85H	IIC function expansion register 0	IICX0		√	√		00H
FFFFFD86H	IIC status register 0	IICS0	R	√	√		00H
FFFFFD8AH	IIC flag register 0	IICF0	R/W	√	√		00H
FFFFFD90H	IIC shift register 1	IIC1			√		00H
FFFFFD92H	IIC control register 1	IICC1		√	√		00H
FFFFFD93H	Slave address register 1	SVA1			√		00H
FFFFFD94H	IIC clock select register 1	IICCL1		√	√		00H
FFFFFD95H	IIC function expansion register 1	IICX1		√	√		00H
FFFFFD96H	IIC status register 1	IICS1	R	√	√		00H
FFFFFD9AH	IIC flag register 1	IICF1	R/W	√	√		00H
FFFFDDBEH	External bus interface mode control register	EXIMC		√	√		00H



<R>

### 3.4.7 Programmable peripheral I/O registers

The BPC register is used for programmable peripheral I/O register area selection.

#### (1) Peripheral I/O area select control register (BPC)

The BPC register can be read or written in 16-bit units.

Reset sets this register to 0000H.

The BPC register is provided only in the  $\mu$ PD703253Y.

	15	14	13	12	11	10	9	8	7	6	5	4	3	2	1	0	Address	Default value
BPC	PA15	0	PA13	PA12	PA11	PA10	PA09	PA08	PA07	PA06	PA05	PA04	PA03	PA02	PA01	PA00	FFFFFF064H	0000H

Bit position	Bit name	Function						
15	PA15	Enables/disables usage of programmable peripheral I/O area. <table border="1" style="margin: 10px auto; width: 80%; border-collapse: collapse;"> <thead> <tr> <th style="width: 10%;">PA15</th> <th style="width: 90%;">Usage of programmable peripheral I/O area</th> </tr> </thead> <tbody> <tr> <td style="text-align: center;">0</td> <td>Usage of programmable peripheral I/O area disabled</td> </tr> <tr> <td style="text-align: center;">1</td> <td>Usage of programmable peripheral I/O area enabled</td> </tr> </tbody> </table>	PA15	Usage of programmable peripheral I/O area	0	Usage of programmable peripheral I/O area disabled	1	Usage of programmable peripheral I/O area enabled
PA15	Usage of programmable peripheral I/O area							
0	Usage of programmable peripheral I/O area disabled							
1	Usage of programmable peripheral I/O area enabled							
13 to 0	PA13 to PA00	Specify an address in programmable peripheral I/O area (corresponding to A27 to A14, respectively).						

**Caution** When setting the PA15 bit to 1, be sure to set the BPC register to 8FFBH.  
 When clearing the PA15 bit to 0, be sure to set the BPC register to 0000H.

For a list of the programmable peripheral I/O register areas, see **Table 17-16 Register Access Types**.

### 3.4.8 Special registers

Special registers are registers that are protected from being written with illegal data due to a program loop. Six <R> special registers are provided in the  $\mu$ PD703249Y and 703252Y, and seven special registers in the  $\mu$ PD703253Y.

- Power save control register (PSC)
- Clock control register (CKC)
- Processor clock control register (PCC)
- Clock monitor mode register (CLM)
- Reset source flag register (RESF)
- <R> • Internal RAM data status register (RAMS)<sup>Note</sup>
- On-chip debug mode register (OCDM)

<R> **Note**  $\mu$ PD703253Y only

In addition, the PRCDM register is provided to protect against a write access to the special registers so that the application system does not inadvertently stop due to a program loop. A write access to the special registers is made in a specific sequence, and an illegal store operation is reported to the SYS register.

**(1) Setting data to special registers**

Set data to the special registers in the following sequence.

- <R>            <1>        Disable DMA operation.<sup>Note 1</sup>  
 <R>            <2>        Prepare data to be set to the special register in a general-purpose register.  
 <R>            <3>        Write the data prepared in <2> to the PRCMD register.  
 <R>            <4>        Write the setting data to the special register (by using the following instructions).  
                   • Store instruction (ST/SST instruction)  
                   • Bit manipulation instruction (SET1/CLR1/NOT1 instruction)  
 <R>            (<5> to <9>) Insert NOP instructions (5 instructions).<sup>Note 2</sup>  
 <R>            <10>        Enable DMA operation if necessary.<sup>Note 1</sup>

[Example] With PSC register (setting standby mode)

- ```

  ST.B r11, PSMD[r0] ; Set PSMD register (setting IDLE1, IDLE2, and STOP modes).
  <R> <1>CLR1 0, DCHCn[r0] ; Disable DMA operation. n = 0 to 3Note 1
  <R> <2>MOV0x02, r10
  <R> <3>ST.B r10, PRCMD[r0] ; Write PRCMD register.
  <R> <4>ST.B r10, PSC[r0] ; Set PSC register.
  <R> <5>NOPNote 2 ; Dummy instruction
  <R> <6>NOPNote 2 ; Dummy instruction
  <R> <7>NOPNote 2 ; Dummy instruction
  <R> <8>NOPNote 2 ; Dummy instruction
  <R> <9>NOPNote 2 ; Dummy instruction
  <R> <10>SET1 0, DCHCn[r0] ; Enable DMA operation. n = 0 to 3Note 1
  (next instruction)

```

There is no special sequence to read a special register.

- <R>            **Notes** 1.  $\mu$ PD703253Y only  
 2. Five NOP instructions or more must be inserted immediately after setting the IDLE1 mode, IDLE2 mode, or STOP mode (by setting the PSC.STP bit to 1).

**Cautions 1.** When a store instruction is executed to store data in the command register, interrupts are not acknowledged. This is because it is assumed that steps <3> and <4> above are performed by successive store instructions. If another instruction is placed between <3> and <4>, and if an interrupt is acknowledged by that instruction, the above sequence may not be established, causing malfunction.

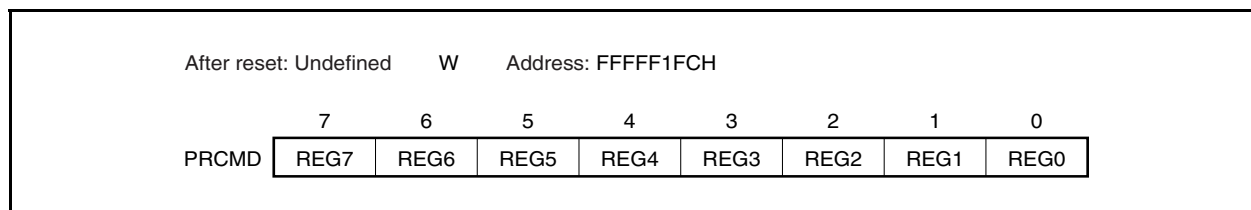
2. Although dummy data is written to the PRCMD register, use the same general-purpose register used to set the special register (<4> in Example) to write data to the PRCMD register (<3> in Example). The same applies when a general-purpose register is used for addressing.

**(2) Command register (PRCMD)**

The PRCMD register is an 8-bit register that protects the registers that may seriously affect the application system from being written, so that the system does not inadvertently stop due to a program hang-up. The first write access to a special register is valid after data has been written in advance to the PRCMD register. In this way, the value of the special register can be rewritten only in a specific sequence, so as to protect the register from an illegal write access.

The PRCMD register is write-only, in 8-bit units (undefined data is read when this register is read).

Reset makes this register undefined.



**(3) System status register (SYS)**

Status flags that indicate the operation status of the overall system are allocated to this register.

This register can be read or written in 8-bit or 1-bit units.

Reset sets this register to 00H.

|                  |       |                                |   |   |   |   |   |   |       |
|------------------|-------|--------------------------------|---|---|---|---|---|---|-------|
| After reset: 00H | R/W   | Address: FFFFF802H             |   |   |   |   |   |   |       |
|                  |       | 7                              | 6 | 5 | 4 | 3 | 2 | 1 | <0>   |
| SYS              |       | 0                              | 0 | 0 | 0 | 0 | 0 | 0 | PRERR |
|                  | PRERR | Detects protection error       |   |   |   |   |   |   |       |
|                  | 0     | Protection error did not occur |   |   |   |   |   |   |       |
|                  | 1     | Protection error occurred      |   |   |   |   |   |   |       |

The PRERR flag operates under the following conditions.

**(a) Set condition (PRERR flag = 1)**

- (i) When data is written to a special register without writing anything to the PRCMD register (when <4> is executed without executing <3> in **3.4.8 (1) Setting data to special registers**)
- (ii) When data is written to an on-chip peripheral I/O register other than a special register (including execution of a bit manipulation instruction) after writing data to the PRCMD register (if <4> in **3.4.8 (1) Setting data to special registers** is not the setting of a special register)

**Remark** Even if an on-chip peripheral I/O register is read (except by a bit manipulation instruction) between an operation to write the PRCMD register and an operation to write a special register, the PRERR flag is not set, and the set data can be written to the special register.

**(b) Clear condition (PRERR flag = 0)**

- (i) When 0 is written to the PRERR flag
- (ii) When the system is reset

**Cautions 1.** If 0 is written to the PRERR bit of the SYS register, which is not a special register, immediately after a write access to the PRCMD register, the PRERR bit is cleared to 0 (the write access takes precedence).

**2.** If data is written to the PRCMD register, which is not a special register, immediately after a write access to the PRCMD register, the PRERR bit is set to 1.

<R>

### 3.4.9 Cautions

#### (1) Registers to be set first

Be sure to set the following registers first when using the V850ES/SG1.

- System wait control register (VSWC)
- On-chip debug mode register (OCDM)
- Watchdog timer mode register 2 (WDTM2)

After setting the VSWC, OCDM, and WDTM2 registers, set the other registers as necessary.

When using the external bus, set each pin to the alternate-function bus control pin mode by using the port-related registers after setting the above registers.

#### (a) System wait control register (VSWC)

The VSWC register controls wait of bus access to the on-chip peripheral I/O registers.

Three clocks are required to access an on-chip peripheral I/O register (without a wait cycle). The V850ES/SG1 requires wait cycles according to the operating frequency. Set the following value to the VSWC register in accordance with the frequency used.

The VSWC register can be read or written in 8-bit units (address: FFFFF06EH, default value: 77H).

| Operating Frequency ( $f_{CLK}$ )                   | Set Value of VSWC | Number of Waits |
|-----------------------------------------------------|-------------------|-----------------|
| $32 \text{ kHz} \leq f_{CLK} < 16.6 \text{ MHz}$    | 00H               | 0 (no waits)    |
| $16.6 \text{ MHz} \leq f_{CLK} \leq 20 \text{ MHz}$ | 01H               | 1               |

#### (b) On-chip debug mode register (OCDM)

For details, see **4.6.3 Cautions on on-chip debug pins**.

#### (c) Watchdog timer mode register 2 (WDTM2)

The WDTM2 register sets the overflow time and the operation clock of watchdog timer 2.

Watchdog timer 2 automatically starts in the reset mode after reset is released. Write the WDTM2 register to activate this operation.

For details, see **CHAPTER 10 FUNCTIONS OF WATCHDOG TIMER 2**.

**(2) Accessing specific on-chip peripheral I/O registers**

This product has two types of internal system buses.

One is a CPU bus and the other is a peripheral bus that interfaces with low-speed peripheral hardware.

The clock of the CPU bus and the clock of the peripheral bus are asynchronous. If an access to the CPU and an access to the peripheral hardware conflict, therefore, unexpected illegal data may be transferred. If there is a possibility of a conflict, the number of cycles for accessing the CPU changes when the peripheral hardware is accessed, so that correct data is transferred. As a result, the CPU does not start processing of the next instruction but enters the wait status. If this wait status occurs, the number of clocks required to execute an instruction increases by the number of wait clocks shown below.

This must be taken into consideration if real-time processing is required.

When specific on-chip peripheral I/O registers are accessed, more wait states may be required in addition to the wait states set by the VSWC register.

The access conditions and how to calculate the number of wait states to be inserted (number of CPU clocks) at this time are shown below.

(1/2)

| Peripheral Function                                               | Register Name                                                                                                      | Access                         | k                                                                                                                                            |
|-------------------------------------------------------------------|--------------------------------------------------------------------------------------------------------------------|--------------------------------|----------------------------------------------------------------------------------------------------------------------------------------------|
| 16-bit timer/event counter P (TMP) (n = 0 to 5)                   | TPnCNT                                                                                                             | Read                           | 1 or 2                                                                                                                                       |
|                                                                   | TPnCCR0, TPnCCR1                                                                                                   | Write                          | <ul style="list-style-type: none"> <li>1st access: No wait</li> <li>Continuous write: 3 or 4</li> </ul>                                      |
|                                                                   |                                                                                                                    | Read                           | 1 or 2                                                                                                                                       |
| Watchdog timer 2 (WDT2)                                           | WDTM2                                                                                                              | Write<br>(when WDT2 operating) | 3                                                                                                                                            |
| A/D converter                                                     | ADA0M0                                                                                                             | Read                           | 1 or 2                                                                                                                                       |
|                                                                   | ADA0CR0 to ADA0CR11                                                                                                | Read                           | 1 or 2                                                                                                                                       |
|                                                                   | ADA0CR0H to ADA0CR11H                                                                                              | Read                           | 1 or 2                                                                                                                                       |
| I <sup>2</sup> C00, I <sup>2</sup> C01                            | IICS0, IICS1                                                                                                       | Read                           | 1                                                                                                                                            |
| <R> CAN controller <sup>Note 1</sup><br>(m = 0 to 31, a = 1 to 4) | COGMABT,<br>COGMABTD,<br>COMASKaL, COMASKaH,<br>COLEC,<br>COINFO,<br>COERC,<br>COIE,<br>COINTS,<br>COBRP,<br>COBTR | Read/write                     | $(f_{xx}/f_{CANMOD} + 1)/(2 + j)$ (MIN.) <sup>Note 2</sup><br>$(2 \times f_{xx}/f_{CANMOD} + 1)/(2 + j)$ (MAX.) <sup>Note 2</sup>            |
|                                                                   | COGMCTRL,<br>COGMCS,<br>COCTRL                                                                                     | Read/write                     | $(f_{xx}/f_{CAN} + 1)/(2 + j)$ (MIN.) <sup>Note 2</sup><br>$(2 \times f_{xx}/f_{CAN} + 1)/(2 + j)$ (MAX.) <sup>Note 2</sup>                  |
|                                                                   | CORGPT,<br>COTGPT                                                                                                  | Write                          | $(f_{xx}/f_{CANMOD} + 1)/(2 + j)$ (MIN.) <sup>Note 2</sup><br>$(2 \times f_{xx}/f_{CANMOD} + 1)/(2 + j)$ (MAX.) <sup>Note 2</sup>            |
|                                                                   |                                                                                                                    | Read                           | $(3 \times f_{xx}/f_{CANMODE} + 1)/(2 + j)$ (MIN.) <sup>Note 2</sup><br>$(4 \times f_{xx}/f_{CANMODE} + 1)/(2 + j)$ (MAX.) <sup>Note 2</sup> |

<R>

<R>

(2/2)

| Peripheral Function                                               | Register Name                                                                                                                                                                                       | Access                                                                                                                                       | k                                                                                                                                            |
|-------------------------------------------------------------------|-----------------------------------------------------------------------------------------------------------------------------------------------------------------------------------------------------|----------------------------------------------------------------------------------------------------------------------------------------------|----------------------------------------------------------------------------------------------------------------------------------------------|
| <R> CAN controller <sup>Note 1</sup><br>(m = 0 to 31, a = 1 to 4) | C0LIPT,<br>C0LOPT                                                                                                                                                                                   | Read                                                                                                                                         | $(3 \times f_{XX}/f_{CANMODE} + 1)/(2 + j)$ (MIN.) <sup>Note 2</sup><br>$(4 \times f_{XX}/f_{CANMODE} + 1)/(2 + j)$ (MAX.) <sup>Note 2</sup> |
|                                                                   | C0MCTRLm                                                                                                                                                                                            | Write                                                                                                                                        | $(4 \times f_{XX}/f_{CAN} + 1)/(2 + j)$ (MIN.) <sup>Note 2</sup><br>$(5 \times f_{XX}/f_{CAN} + 1)/(2 + j)$ (MAX.) <sup>Note 2</sup>         |
|                                                                   |                                                                                                                                                                                                     | Read                                                                                                                                         | $(3 \times f_{XX}/f_{CAN} + 1)/(2 + j)$ (MIN.) <sup>Note 2</sup><br>$(4 \times f_{XX}/f_{CAN} + 1)/(2 + j)$ (MAX.) <sup>Note 2</sup>         |
| <R>                                                               | C0MDATA01m, C0MDATA0m,<br>C0MDATA1m, C0MDATA23m,<br>C0MDATA2m, C0MDATA3m,<br>C0MDATA45m, C0MDATA4m,<br>C0MDATA5m, C0MDATA67m,<br>C0MDATA6m, C0MDATA7m,<br>C0MDLcM,<br>C0MCONFm,<br>C0MIDLm, C0MIDHm | Write (8 bits)                                                                                                                               | $(4 \times f_{XX}/f_{CANMODE} + 1)/(2 + j)$ (MIN.) <sup>Note 2</sup><br>$(5 \times f_{XX}/f_{CANMODE} + 1)/(2 + j)$ (MAX.) <sup>Note 2</sup> |
|                                                                   |                                                                                                                                                                                                     | Write (16 bits)                                                                                                                              | $(2 \times f_{XX}/f_{CANMODE} + 1)/(2 + j)$ (MIN.) <sup>Note 2</sup><br>$(3 \times f_{XX}/f_{CANMODE} + 1)/(2 + j)$ (MAX.) <sup>Note 2</sup> |
|                                                                   | Read (8/16 bits)                                                                                                                                                                                    | $(3 \times f_{XX}/f_{CANMODE} + 1)/(2 + j)$ (MIN.) <sup>Note 2</sup><br>$(4 \times f_{XX}/f_{CANMODE} + 1)/(2 + j)$ (MAX.) <sup>Note 2</sup> |                                                                                                                                              |

Number of clocks necessary for access =  $3 + i + j + (2 + j) \times k$

<R> **Notes** 1.  $\mu$ PD703253Y only

2. Digits below the decimal point are rounded up.

**Caution** Accessing the above registers is prohibited in the following statuses. If a wait cycle is generated, it can only be cleared by a reset.

- When the CPU operates with the subclock and the main clock oscillation is stopped
- When the CPU operates with the internal oscillation clock

**Remark** f<sub>XX</sub>: Main clock frequency  
f<sub>CANMOD</sub>: CAN module system clock  
f<sub>CAN</sub>: Supply clock to CAN  
i: Values (0 or 1) of higher 4 bits of VSWC register  
j: Values (0 or 1) of lower 4 bits of VSWC register



<R>

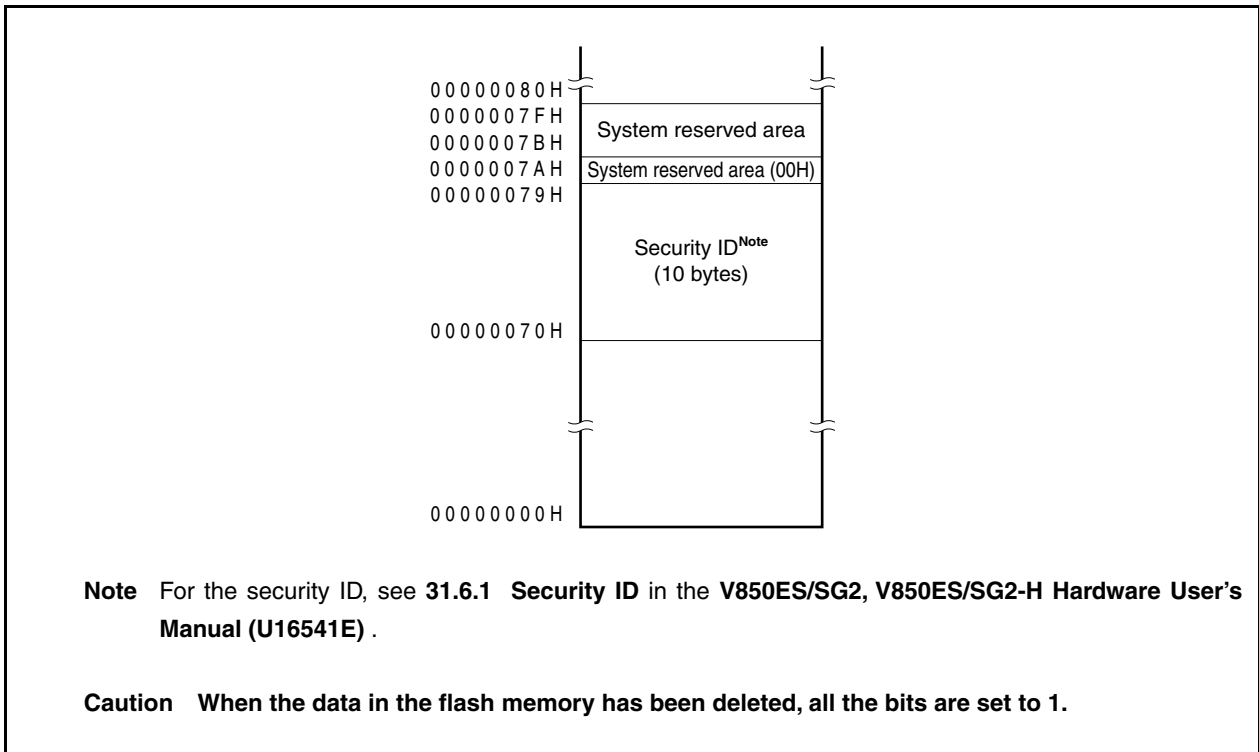
**(3) System reserved area**

No flash memory versions are provided in the V850ES/SG1. However, the  $\mu$ PD70F3261Y, 70F3271Y and 70F3281Y of the V850ES/SG2 can be used as the flash memory versions for developing V850ES/SG1 software.

In the  $\mu$ PD70F3261Y, 70F3271Y, and 70F3281Y of the V850ES/SG2, the area of 0000007AH to 0000007FH is a system reserved area for function expansion, and therefore it is recommended that this area not be used. However, in the case of the special version of the following products, be sure to set 00H to 0000007AH.

- $\mu$ PD70F3261Y, 70F3271Y, 70F3281Y: Ver. 1.0

- Remarks 1.** With products other than the above, operations are not affected even if 00H is set to 0000007AH.
- 2.** Check the product version by the number that follows DS, ES, or CS on the third line of the package stamp. If the generic name is stamped (V850ES/SG2 etc.), the above restriction does not apply.
- For enquiries, contact an NEC Electronics sales representative.



**(4) Restriction on conflict between sld instruction and interrupt request****(a) Description**

If a conflict occurs between the decode operation of an instruction in <2> immediately before the sld instruction following an instruction in <1> and an interrupt request before the instruction in <1> is complete, the execution result of the instruction in <1> may not be stored in a register.

Instruction <1>

- ld instruction: ld.b, ld.h, ld.w, ld.bu, ld.hu
- sld instruction: sld.b, sld.h, sld.w, sld.bu, sld.hu
- Multiplication instruction: mul, mulh, mulhi, mulu

Instruction <2>

|                   |                   |                    |                   |
|-------------------|-------------------|--------------------|-------------------|
| mov reg1, reg2    | not reg1, reg2    | satsubr reg1, reg2 | satsub reg1, reg2 |
| satadd reg1, reg2 | satadd imm5, reg2 | or reg1, reg2      | xor reg1, reg2    |
| and reg1, reg2    | tst reg1, reg2    | subr reg1, reg2    | sub reg1, reg2    |
| add reg1, reg2    | add imm5, reg2    | cmp reg1, reg2     | cmp imm5, reg2    |
| mulh reg1, reg2   | shr imm5, reg2    | sar imm5, reg2     | shl imm5, reg2    |

<Example>

<i> ld.w [r11], r10  
 •  
 •  
 •

If the decode operation of the mov instruction <ii> immediately before the sld instruction <iii> and an interrupt request conflict before execution of the ld instruction <i> is complete, the execution result of instruction <i> may not be stored in a register.

<ii> mov r10, r28

<iii> sld.w 0x28, r10

**(b) Countermeasure**

<1> When compiler (CA850) is used

Use CA850 Ver. 2.61 or later because generation of the corresponding instruction sequence can be automatically suppressed.

<2> For assembler

When executing the sld instruction immediately after instruction <ii>, avoid the above operation using either of the following methods.

- Insert a nop instruction immediately before the sld instruction.
- Do not use the same register as the sld instruction destination register in the above instruction <ii> executed immediately before the sld instruction.

## CHAPTER 4 PORT FUNCTIONS

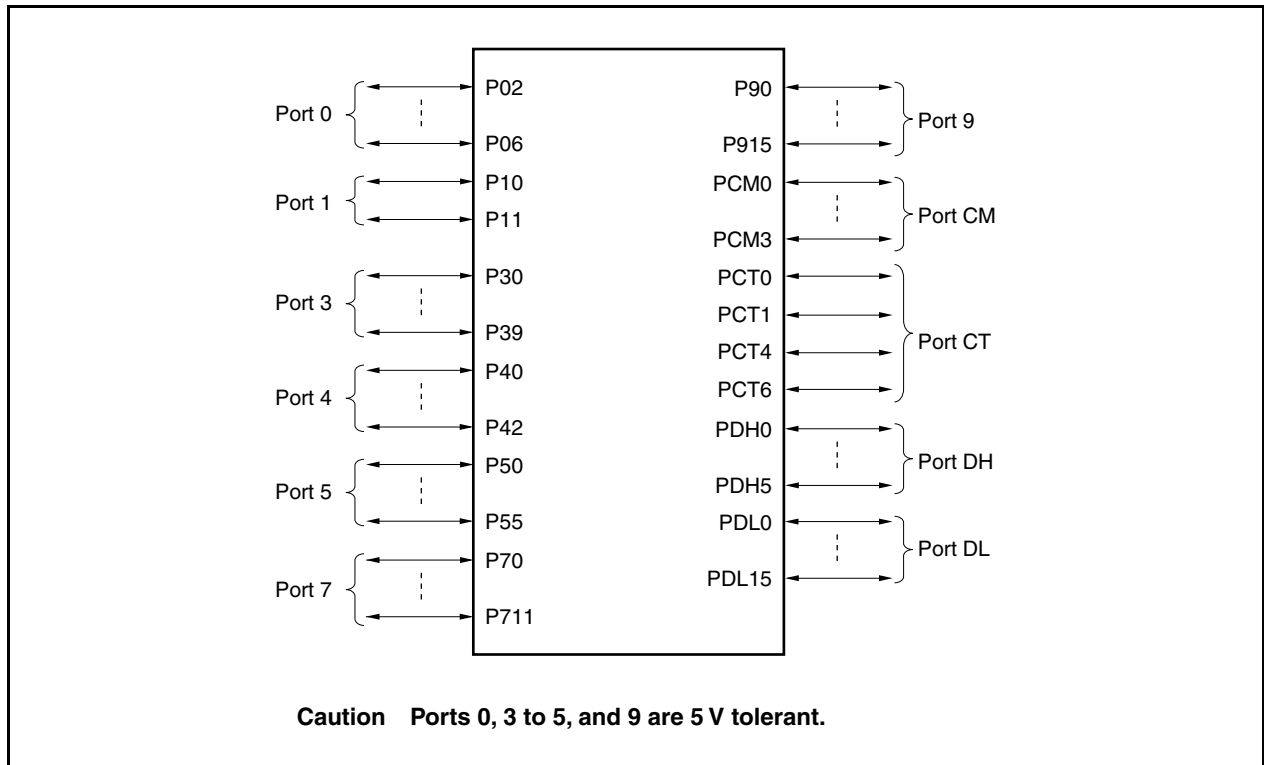
### 4.1 Features

- I/O ports: 84
  - 5 V tolerant/N-ch open-drain output selectable: 40 (ports 0, 3 to 5, 9)
- Input/output specifiable in 1-bit units

### 4.2 Basic Port Configuration

The V850ES/SG1 features a total of 84 I/O ports consisting of ports 0, 1, 3 to 5, 7, 9, CM, CT, DH, and DL. The port configuration is shown below.

**Figure 4-1. Port Configuration Diagram**



**Table 4-1. I/O Buffer Power Supplies for Pins**

| Power Supply       | Corresponding Pins                                             |
|--------------------|----------------------------------------------------------------|
| AV <sub>REF0</sub> | Port 7                                                         |
| AV <sub>REF1</sub> | Port 1                                                         |
| BV <sub>DD</sub>   | Ports CM, CT, DH (bits 0 to 3), DL                             |
| EV <sub>DD</sub>   | $\overline{\text{RESET}}$ , ports 0, 3 to 5, 9, DH (bits 4, 5) |

### 4.3 Port Configuration

**Table 4-2. Port Configuration**

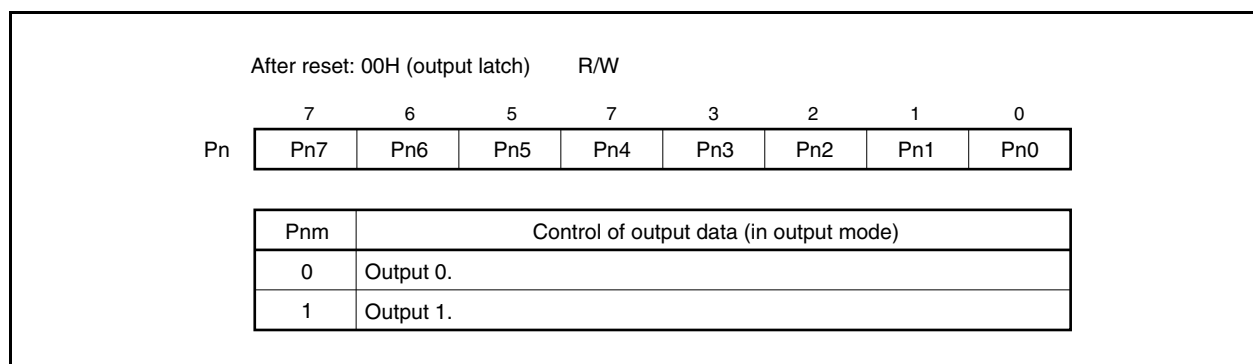
| Item             | Configuration                                                                                                                                                                                                                                                                                                                   |
|------------------|---------------------------------------------------------------------------------------------------------------------------------------------------------------------------------------------------------------------------------------------------------------------------------------------------------------------------------|
| Control register | Port n mode register (PMn: n = 0, 1, 3 to 5, 7, 9, CM, CT, DH, DL)<br>Port n mode control register (PMcn: n = 0, 3 to 5, 9, CM, CT, DH, DL)<br>Port n function control register (PFCn: n = 0, 3 to 5, 9)<br>Port n function control expansion register (PFCEn: n = 3, 5, 9)<br>Port n function register (PFn: n = 0, 3 to 5, 9) |
| Ports            | I/O: 84                                                                                                                                                                                                                                                                                                                         |

#### (1) Port n register (Pn)

Data is input from or output to an external device by writing or reading the Pn register.

The Pn register consists of a port latch that holds output data, and a circuit that reads the status of pins.

Each bit of the Pn register corresponds to one pin of port n, and can be read or written in 1-bit units.



Data is written to or read from the Pn register as follows, regardless of the setting of the PMcn register.

**Table 4-3. Writing/Reading Pn Register**

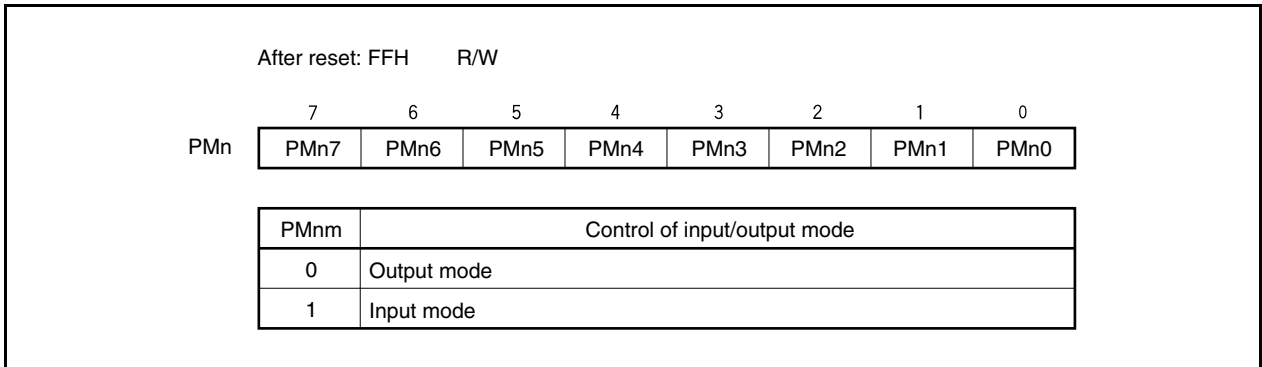
| Setting of PMn Register   | Writing to Pn Register                                                                                                                           | Reading from Pn Register               |
|---------------------------|--------------------------------------------------------------------------------------------------------------------------------------------------|----------------------------------------|
| Output mode<br>(PMnm = 0) | Data is written to the output latch <sup>Note</sup> .<br>In the port mode (PMcn = 0), the contents of the output latch are output from the pins. | The value of the output latch is read. |
| Input mode<br>(PMnm = 1)  | Data is written to the output latch.<br>The pin status is not affected <sup>Note</sup> .                                                         | The pin status is read.                |

**Note** The value written to the output latch is retained until a new value is written to the output latch.

**(2) Port n mode register (PMn)**

The PMn register specifies the input or output mode of the corresponding port pin.

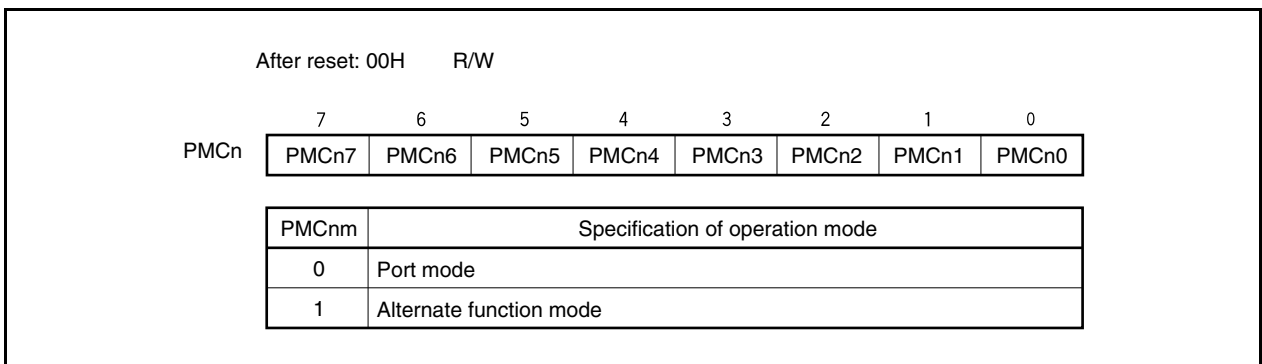
Each bit of this register corresponds to one pin of port n, and the input or output mode can be specified in 1-bit units.



**(3) Port n mode control register (PMCn)**

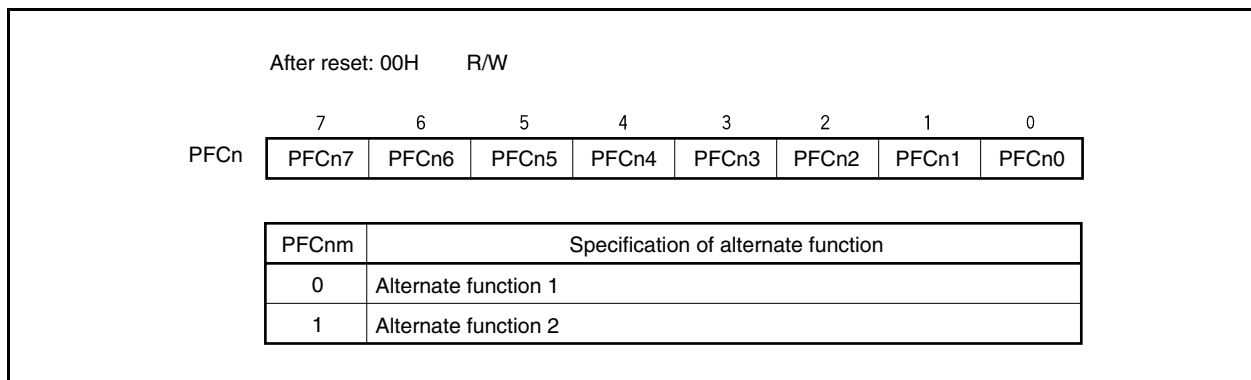
The PMCn register specifies the port mode or alternate function.

Each bit of this register corresponds to one pin of port n, and the mode of the port can be specified in 1-bit units.



**(4) Port n function control register (PFCn)**

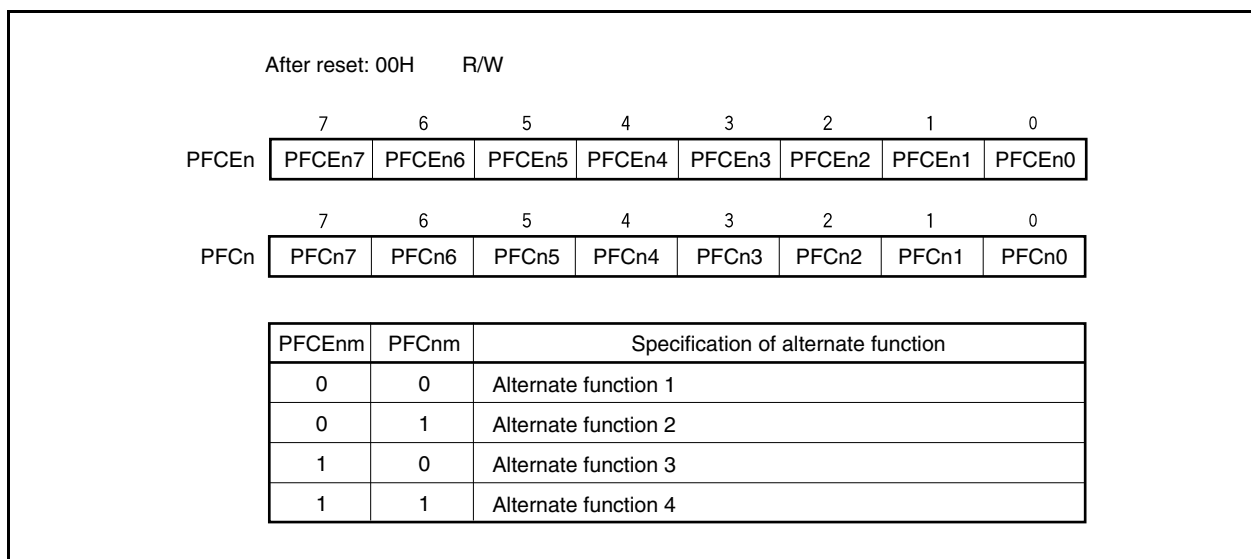
The PFCn register specifies the alternate function of a port pin to be used if the pin has two alternate functions. Each bit of this register corresponds to one pin of port n, and the alternate function of a port pin can be specified in 1-bit units.



**(5) Port n function control expansion register (PFCEn)**

The PFCEn register specifies the alternate function of a port pin to be used if the pin has three or more alternate functions.

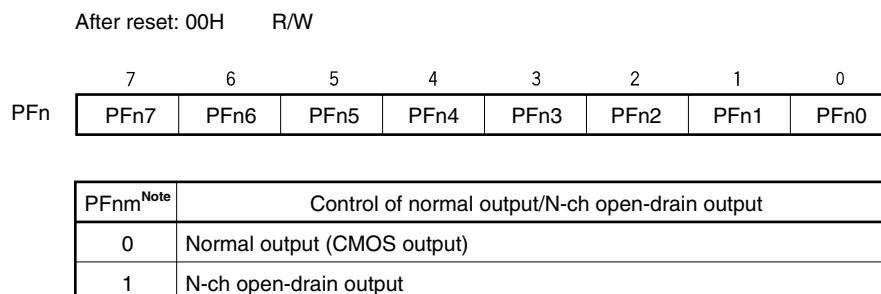
Each bit of this register corresponds to one pin of port n, and the alternate function of a port pin can be specified in 1-bit units.



**(6) Port n function register (PFn)**

The PFn register specifies normal output or N-ch open-drain output.

Each bit of this register corresponds to one pin of port n, and the output mode of the port pin can be specified in 1-bit units.

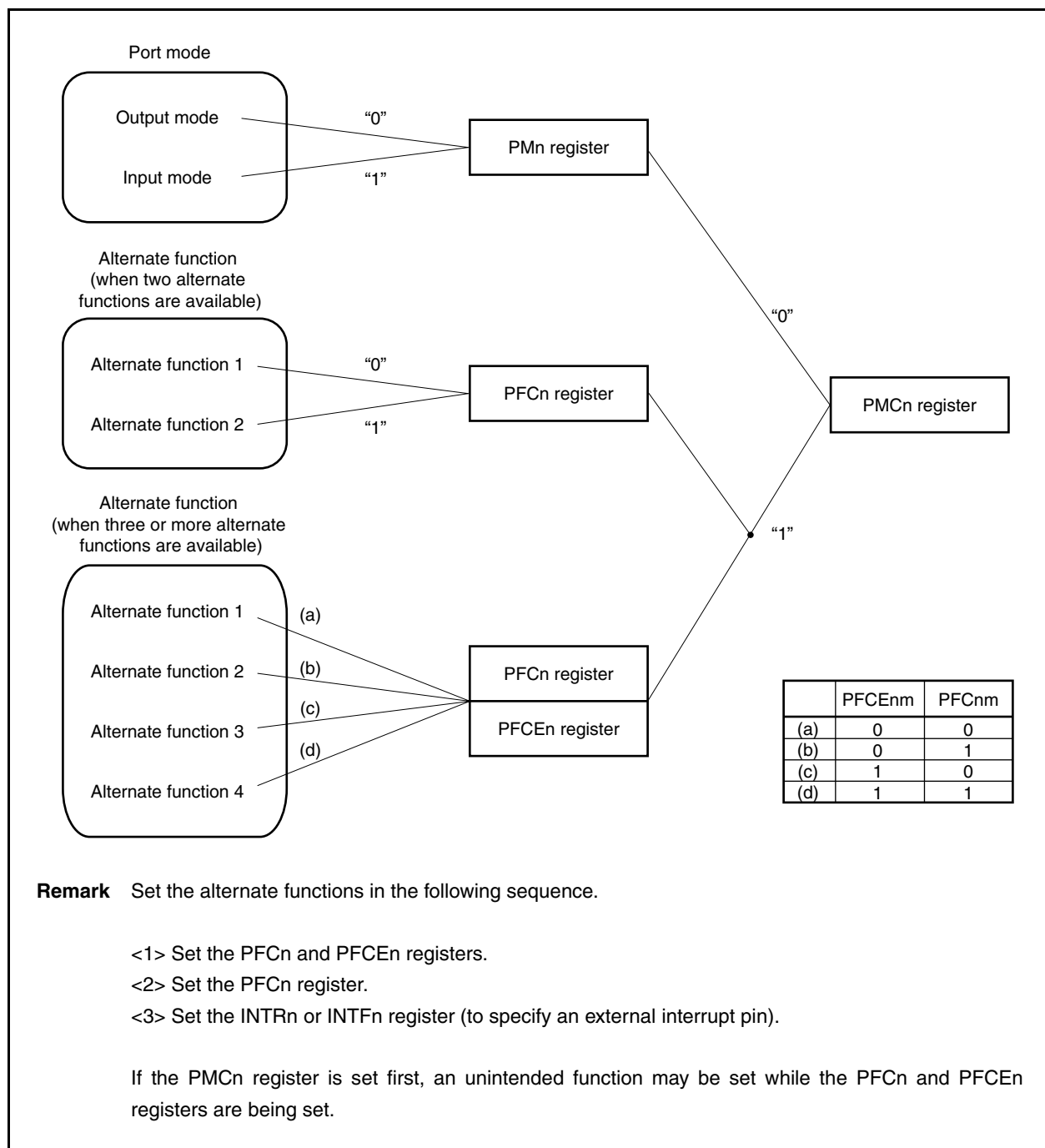


**Note** The PFnm bit of the PFn register is valid only when the PMnm bit of the PMn register is 0 (when the output mode is specified) in port mode (PMcNm bit = 0). When the PMnm bit is 1 (when the input mode is specified), the set value of the PFn register is invalid.

**(7) Port setting**

Set a port as illustrated below.

**Figure 4-2. Setting of Each Register and Pin Function**





4.3.1 Port 0

Port 0 is a 5-bit port for which I/O settings can be controlled in 1-bit units.

Port 0 includes the following alternate-function pins.

Table 4-4. Port 0 Alternate-Function Pins

| Pin Name            | Pin No. |    | Alternate-Function Pin Name | I/O   | Remark                               | Block Type |
|---------------------|---------|----|-----------------------------|-------|--------------------------------------|------------|
|                     | GF      | GC |                             |       |                                      |            |
| P02                 | 19      | 17 | NMI                         | Input | Selectable as N-ch open-drain output | L-1        |
| P03                 | 20      | 18 | INTP0/ADTRG                 | Input |                                      | N-1        |
| P04                 | 21      | 19 | INTP1                       | Input |                                      | L-1        |
| P05 <sup>Note</sup> | 22      | 20 | INTP2                       | Input |                                      | AA-1       |
| P06                 | 23      | 21 | INTP3                       | Input |                                      | L-1        |

<R>

**Note** This pin functions alternately as the on-chip debug function pin ( $\overline{DRST}$ ) in the flash memory version (V850ES/SG2 ( $\mu$ PD70F3261Y, 70F3271Y, 70F3281Y)).

If the flash memory is used but on-chip debugging is not used, fix the P05/INTP2 pin to low level between when the reset signal of the  $\overline{RESET}$  pin is released and when the OCDM.OCDM0 bit is cleared (0).

For details, see 4.6.3 Cautions on on-chip debug pins.

**Caution** The P02 to P06 pins have hysteresis characteristics in the input mode of the alternate function, but do not have hysteresis characteristics in the port mode.

**Remark** GF: 100-pin plastic QFP (14 × 20)  
GC: 100-pin plastic LQFP (fine pitch) (14 × 14)

(1) Port 0 register (P0)

|                                 |                                                   |     |                    |     |     |     |   |   |
|---------------------------------|---------------------------------------------------|-----|--------------------|-----|-----|-----|---|---|
| After reset: 00H (output latch) |                                                   | R/W | Address: FFFFF400H |     |     |     |   |   |
|                                 | 7                                                 | 6   | 5                  | 4   | 3   | 2   | 1 | 0 |
| P0                              | 0                                                 | P06 | P05                | P04 | P03 | P02 | 0 | 0 |
| P0n                             | Output data control (in output mode) (n = 2 to 6) |     |                    |     |     |     |   |   |
| 0                               | Outputs 0                                         |     |                    |     |     |     |   |   |
| 1                               | Outputs 1                                         |     |                    |     |     |     |   |   |

**(2) Port 0 mode register (PM0)**

After reset: FFH R/W Address: FFFFF420H

|     |   |      |      |      |      |      |   |   |
|-----|---|------|------|------|------|------|---|---|
|     | 7 | 6    | 5    | 4    | 3    | 2    | 1 | 0 |
| PM0 | 1 | PM06 | PM05 | PM04 | PM03 | PM02 | 1 | 1 |

|      |                               |
|------|-------------------------------|
| PM0n | I/O mode control (n = 2 to 6) |
| 0    | Output mode                   |
| 1    | Input mode                    |

**(3) Port 0 mode control register (PMC0)**

After reset: 00H R/W Address: FFFFF440H

|      |   |       |       |       |       |       |   |   |
|------|---|-------|-------|-------|-------|-------|---|---|
|      | 7 | 6     | 5     | 4     | 3     | 2     | 1 | 0 |
| PMC0 | 0 | PMC06 | PMC05 | PMC04 | PMC03 | PMC02 | 0 | 0 |

|       |                                         |
|-------|-----------------------------------------|
| PMC06 | Specification of P06 pin operation mode |
| 0     | I/O port                                |
| 1     | INTP3 input                             |

|       |                                         |
|-------|-----------------------------------------|
| PMC05 | Specification of P05 pin operation mode |
| 0     | I/O port                                |
| 1     | INTP2 input                             |

|       |                                         |
|-------|-----------------------------------------|
| PMC04 | Specification of P04 pin operation mode |
| 0     | I/O port                                |
| 1     | INTP1 input                             |

|       |                                         |
|-------|-----------------------------------------|
| PMC03 | Specification of P03 pin operation mode |
| 0     | I/O port                                |
| 1     | INTP0 input/ADTRG input                 |

|       |                                         |
|-------|-----------------------------------------|
| PMC02 | Specification of P02 pin operation mode |
| 0     | I/O port                                |
| 1     | NMI input                               |

**(4) Port 0 function control register (PFC0)**

After reset: 00H R/W Address: FFFFF460H

|      |   |   |   |   |       |   |   |   |
|------|---|---|---|---|-------|---|---|---|
|      | 7 | 6 | 5 | 4 | 3     | 2 | 1 | 0 |
| PFC0 | 0 | 0 | 0 | 0 | PFC03 | 0 | 0 | 0 |

|       |                                             |
|-------|---------------------------------------------|
| PFC03 | Specification of P03 pin alternate function |
| 0     | INTP0 input                                 |
| 1     | ADTRG input                                 |

**(5) Port 0 function register (PF0)**

After reset: 00H R/W Address: FFFFFC60H

|     |   |      |      |      |      |      |   |   |
|-----|---|------|------|------|------|------|---|---|
|     | 7 | 6    | 5    | 4    | 3    | 2    | 1 | 0 |
| PF0 | 0 | PF06 | PF05 | PF04 | PF03 | PF02 | 0 | 0 |

|      |                                                                 |
|------|-----------------------------------------------------------------|
| PF0n | Control of normal output or N-ch open-drain output (n = 2 to 6) |
| 0    | Normal output (CMOS output)                                     |
| 1    | N-ch open drain output                                          |

**Caution** When an output pin is pulled up at EVDD or higher, be sure to set the corresponding PF0n bit to 1.

<R>

4.3.2 Port 1

Port 1 is a 2-bit port for which I/O settings can be controlled in 1-bit units.

Port 1 includes the following alternate-function pins.

Table 4-5. Port 1 Alternate-Function Pins

| Pin Name | Pin No. |    | Alternate-Function Pin Name | I/O    | Remark | Block Type |
|----------|---------|----|-----------------------------|--------|--------|------------|
|          | GF      | GC |                             |        |        |            |
| <R> P10  | 5       | 3  | –                           | –      | –      | B-1        |
|          | –       | 3  | ANO0 <sup>Note</sup>        | Output |        | A-2        |
| <R> P11  | 6       | 4  | –                           | –      |        | B-1        |
|          | –       | 4  | ANO1 <sup>Note</sup>        | Output |        | A-2        |

<R> **Note**  $\mu$ PD703253Y only

<R> **Caution** The P10 and P11 pins may momentarily output an undefined level upon power application.

**Remark** GF: 100-pin plastic QFP (14 × 20)  
GC: 100-pin plastic LQFP (fine pitch) (14 × 14)

(1) Port 1 register (P1)

After reset: 00H (output latch) R/W Address: FFFFF402H

|    |   |   |   |   |   |   |     |     |
|----|---|---|---|---|---|---|-----|-----|
|    | 7 | 6 | 5 | 4 | 3 | 2 | 1   | 0   |
| P1 | 0 | 0 | 0 | 0 | 0 | 0 | P11 | P10 |

|     |                                                 |
|-----|-------------------------------------------------|
| P1n | Output data control (in output mode) (n = 0, 1) |
| 0   | Outputs 0                                       |
| 1   | Outputs 1                                       |

<R> **Caution** In the  $\mu$ PD703253Y, do not perform read from or write to the P1 register during D/A conversion (refer to 12.4.3 Cautions).

(2) Port 1 mode register (PM1)

After reset: FFH R/W Address: FFFFF422H

|     |   |   |   |   |   |   |      |      |
|-----|---|---|---|---|---|---|------|------|
|     | 7 | 6 | 5 | 4 | 3 | 2 | 1    | 0    |
| PM1 | 1 | 1 | 1 | 1 | 1 | 1 | PM11 | PM10 |

|      |                             |
|------|-----------------------------|
| PM1n | I/O mode control (n = 0, 1) |
| 0    | Output mode                 |
| 1    | Input mode                  |

- Cautions**
1. When using P1n as the alternate function (ANOn pin output), set the PM1n bit to 1.
  2. In the  $\mu$ PD703253Y, when using one of the P10 and P11 pins as an I/O port and the other as a D/A output pin, do so in an application where the port I/O level does not change during D/A output.

<R>

<R>

4.3.3 Port 3

Port 3 is a 10-bit port for which I/O settings can be controlled in 1-bit units.

Port 3 includes the following alternate-function pins.

Table 4-6. Port 3 Alternate-Function Pins

| Pin Name | Pin No. |    | Alternate-Function Pin Name | I/O    | Remark                               | Block Type |
|----------|---------|----|-----------------------------|--------|--------------------------------------|------------|
|          | GF      | GC |                             |        |                                      |            |
| P30      | 27      | 25 | TXDA0                       | Output | Selectable as N-ch open-drain output | G-7        |
| P31      | 28      | 26 | RXDA0/INTP7                 | Input  |                                      | N-4        |
| P32      | 29      | 27 | ASCKA0/TIP00/TOP00          | I/O    |                                      | U-16       |
| <R> P33  | 30      | 28 | TIP01/TOP01                 | I/O    |                                      | G-1        |
| <R> P34  | 31      | 29 | TIP10/TOP10                 | I/O    |                                      | G-1        |
| <R> P35  | 32      | 30 | TIP11/TOP11                 | I/O    |                                      | G-1        |
| P36      | 33      | 31 | IETX0 <sup>Note 1</sup>     | Output |                                      | G-8        |
| <R> P36  | -       | 31 | CTXD0 <sup>Note 2</sup>     | Output |                                      | G-7        |
| P37      | 34      | 32 | IERX0 <sup>Note 1</sup>     | Input  |                                      | G-9        |
| <R> P37  | -       | 32 | CRXD0 <sup>Note 2</sup>     | Input  |                                      | G-14       |
| P38      | 37      | 35 | SDA00                       | I/O    |                                      | G-10       |
| P39      | 38      | 36 | SCL00                       | I/O    | G-11                                 |            |

Notes 1.  $\mu$ PD703252Y only

<R> 2.  $\mu$ PD703253Y only

<R> **Caution** The P31 to P35 and P37 to P39 pins have hysteresis characteristics in the input mode of the alternate-function pin, but do not have the hysteresis characteristics in the port mode.

**Remark** GF: 100-pin plastic QFP (14 × 20)  
GC: 100-pin plastic LQFP (fine pitch) (14 × 14)

(1) Port 3 register (P3)

After reset: 0000H (output latch)    R/W    Address: P3 FFFFF406H,  
P3L FFFFF406H, P3H FFFFF407H

|          |     |     |     |     |     |     |     |     |
|----------|-----|-----|-----|-----|-----|-----|-----|-----|
|          | 15  | 14  | 13  | 12  | 11  | 10  | 9   | 8   |
| P3 (P3H) | 0   | 0   | 0   | 0   | 0   | 0   | P39 | P38 |
|          | 7   | 6   | 5   | 4   | 3   | 2   | 1   | 0   |
| (P3L)    | P37 | P36 | P35 | P34 | P33 | P32 | P31 | P30 |

| P3n | Output data control (in output mode) (n = 0 to 9) |
|-----|---------------------------------------------------|
| 0   | Outputs 0                                         |
| 1   | Outputs 1                                         |

**Remarks**

- The P3 register can be read or written in 16-bit units. However, when using the higher 8 bits of the P3 register as the P3H register and the lower 8 bits as the P3L register, P3 can be read or written in 8-bit or 1-bit units.
- To read/write bits 8 to 15 of the P3 register in 8-bit or 1-bit units, specify them as bits 0 to 7 of the P3H register.

(2) Port 3 mode register (PM3)

After reset: FFFFH R/W Address: PM3 FFFFF426H,  
PM3L FFFFF426H, PM3H FFFFF427H

|            |      |      |      |      |      |      |      |      |
|------------|------|------|------|------|------|------|------|------|
|            | 15   | 14   | 13   | 12   | 11   | 10   | 9    | 8    |
| PM3 (PM3H) | 1    | 1    | 1    | 1    | 1    | 1    | PM39 | PM38 |
|            | 7    | 6    | 5    | 4    | 3    | 2    | 1    | 0    |
| (PM3L)     | PM37 | PM36 | PM35 | PM34 | PM33 | PM32 | PM31 | PM30 |

|      |                               |
|------|-------------------------------|
| PM3n | I/O mode control (n = 0 to 9) |
| 0    | Output mode                   |
| 1    | Input mode                    |

**Remarks**

1. The PM3 register can be read or written in 16-bit units.  
However, when using the higher 8 bits of the PM3 register as the PM3H register and the lower 8 bits as the PM3L register, PM3 can be read or written in 8-bit or 1-bit units.
2. To read/write bits 8 to 15 of the PM3 register in 8-bit or 1-bit units, specify them as bits 0 to 7 of the PM3H register.

(3) Port 3 mode control register (PMC3)

(1/2)

After reset: 0000H R/W Address: PMC3 FFFFF446H,  
PMC3L FFFFF446H, PMC3H FFFFF447H

|              |       |       |       |       |       |       |       |       |
|--------------|-------|-------|-------|-------|-------|-------|-------|-------|
|              | 15    | 14    | 13    | 12    | 11    | 10    | 9     | 8     |
| PMC3 (PMC3H) | 0     | 0     | 0     | 0     | 0     | 0     | PMC39 | PMC38 |
|              | 7     | 6     | 5     | 4     | 3     | 2     | 1     | 0     |
| (PMC3L)      | PMC37 | PMC36 | PMC35 | PMC34 | PMC33 | PMC32 | PMC31 | PMC30 |

|       |                                         |
|-------|-----------------------------------------|
| PMC39 | Specification of P39 pin operation mode |
| 0     | I/O port                                |
| 1     | SCL00 I/O                               |

|       |                                         |
|-------|-----------------------------------------|
| PMC38 | Specification of P38 pin operation mode |
| 0     | I/O port                                |
| 1     | SDA00 I/O                               |

&lt;R&gt;

|       |                                                                                  |
|-------|----------------------------------------------------------------------------------|
| PMC37 | Specification of P37 pin operation mode                                          |
| 0     | I/O port                                                                         |
| 1     | $\overline{\text{IERX0}}$ input <sup>Note 1</sup> /CRXD0 input <sup>Note 2</sup> |

&lt;R&gt;

|       |                                                                                     |
|-------|-------------------------------------------------------------------------------------|
| PMC36 | Specification of P36 pin operation mode                                             |
| 0     | I/O port                                                                            |
| 1     | $\overline{\text{IETX0}}$ output <sup>Note 1</sup> /CTXD 0 output <sup>Note 2</sup> |

|       |                                         |
|-------|-----------------------------------------|
| PMC35 | Specification of P35 pin operation mode |
| 0     | I/O port                                |
| 1     | TIP11 input/TOP11 output                |

|       |                                         |
|-------|-----------------------------------------|
| PMC34 | Specification of P34 pin operation mode |
| 0     | I/O port                                |
| 1     | TIP10 input/TOP10 output                |

|       |                                         |
|-------|-----------------------------------------|
| PMC33 | Specification of P33 pin operation mode |
| 0     | I/O port                                |
| 1     | TIP01 input/TOP01 output                |

|       |                                         |
|-------|-----------------------------------------|
| PMC32 | Specification of P32 pin operation mode |
| 0     | I/O port                                |
| 1     | ASCKA0 input/TIP00 input/TOP00 output   |

|       |                                         |
|-------|-----------------------------------------|
| PMC31 | Specification of P31 pin operation mode |
| 0     | I/O port                                |
| 1     | RXDA0 input/INTP7 input                 |

|       |                                         |
|-------|-----------------------------------------|
| PMC30 | Specification of P30 pin operation mode |
| 0     | I/O port                                |
| 1     | TXDA0 output                            |

&lt;R&gt;

- Notes** 1.  $\mu$ PD703252Y only  
2.  $\mu$ PD703253Y only

- Remarks** 1. The PMC3 register can be read or written in 16-bit units.  
However, when using the higher 8 bits of the PMC3 register as the PMC3H register and the lower 8 bits as the PMC3L register, PMC3 can be read or written in 8-bit or 1-bit units.
2. To read/write bits 8 to 15 of the PMC3 register in 8-bit or 1-bit units, specify them as bits 0 to 7 of the PMC3H register.



**(4) Port 3 function control register (PFC3)**

After reset: 0000H R/W Address: PFC3 FFFFF466H, PFC3L FFFFF466H, PFC3L FFFFF467H

|              |       |       |       |       |       |       |       |       |
|--------------|-------|-------|-------|-------|-------|-------|-------|-------|
|              | 15    | 14    | 13    | 12    | 11    | 10    | 9     | 8     |
| PFC3 (PFC3H) | 0     | 0     | 0     | 0     | 0     | 0     | PFC39 | PFC38 |
|              | 7     | 6     | 5     | 4     | 3     | 2     | 1     | 0     |
| (PFC3L)      | PFC37 | PFC36 | PFC35 | PFC34 | PFC33 | PFC32 | PFC31 | PFC30 |

**Remarks**

1. For details of alternate function specification, see **4.3.3 (6) Port 3 alternate function specifications**.
2. The PFC3 register can be read or written in 16-bit units.  
However, when using the higher 8 bits of the PFC3 register as the PFC3H register and the lower 8 bits as the PFC3L register, PFC3 can be read or written in 8-bit and 1-bit units.
3. To read/write bits 8 to 15 of the PFC3 register in 8-bit or 1-bit units, specify them as bits 0 to 7 of the PFC3H register.

**(5) Port 3 function control expansion register L (PFCE3L)**

After reset: 00H R/W Address: FFFFF706H

|        |   |   |   |   |   |        |   |   |
|--------|---|---|---|---|---|--------|---|---|
|        | 7 | 6 | 5 | 4 | 3 | 2      | 1 | 0 |
| PFCE3L | 0 | 0 | 0 | 0 | 0 | PFCE32 | 0 | 0 |

**Remark** For details of alternate function specification, see **4.3.3 (6) Port 3 alternate function specifications**.

**(6) Port 3 alternate function specifications**

|       |                                             |
|-------|---------------------------------------------|
| PFC39 | Specification of P39 pin alternate function |
| 0     | Setting prohibited                          |
| 1     | SCL00 I/O                                   |

|       |                                             |
|-------|---------------------------------------------|
| PFC38 | Specification of P38 pin alternate function |
| 0     | Setting prohibited                          |
| 1     | SDA00 I/O                                   |

<R>

| PFC37 | Specification of P37 pin alternate function       |
|-------|---------------------------------------------------|
| 0     | CRXD0 input <sup>Note 1</sup>                     |
| 1     | $\overline{\text{IERX0}}$ input <sup>Note 2</sup> |

<R>

| PFC36 | Specification of P36 pin alternate function        |
|-------|----------------------------------------------------|
| 0     | CTXD0 output <sup>Note 1</sup>                     |
| 1     | $\overline{\text{IETX0}}$ output <sup>Note 2</sup> |

| PFC35 | Specification of P35 pin alternate function |
|-------|---------------------------------------------|
| 0     | TIP11 input                                 |
| 1     | TOP11 output                                |

| PFC34 | Specification of P34 pin alternate function |
|-------|---------------------------------------------|
| 0     | TIP10 input                                 |
| 1     | TOP10 output                                |

| PFC33 | Specification of P33 pin alternate function |
|-------|---------------------------------------------|
| 0     | TIP01 input                                 |
| 1     | TOP01 output                                |

| PFCE32 | PFC32 | Specification of P32 pin alternate function |
|--------|-------|---------------------------------------------|
| 0      | 0     | ASCKA0 input                                |
| 0      | 1     | Setting prohibited                          |
| 1      | 0     | TIP00 input                                 |
| 1      | 1     | TOP00 output                                |

| PFC31 | Specification of P31 pin alternate function |
|-------|---------------------------------------------|
| 0     | RXDA0 input/INTP7 <sup>Note 3</sup> input   |
| 1     | Setting prohibited                          |

| PFC30 | Specification of P30 pin alternate function |
|-------|---------------------------------------------|
| 0     | TXDA0 output                                |
| 1     | Setting prohibited                          |

<R>

- Notes**
1.  $\mu$ PD703253Y only
  2.  $\mu$ PD703252Y only
  3. The INTP7 pin and RXDA0 pin are alternate-function pins. When using the pin as the RXDA0 pin, disable edge detection for the INTP7 alternate-function pin. (Clear the INTF3.INTF31 bit and the INTR3.INTR31 bit to 0.) When using the pin as the INTP7 pin, stop UARTA0 reception. (Clear the UA0CTL0.UA0RXE bit to 0.)

(7) Port 3 function register (PF3)

After reset: 0000H R/W Address: PF3 FFFFC66H,  
PF3L FFFFC66H, PF3H FFFFC67H

|            |      |      |      |      |      |      |      |      |
|------------|------|------|------|------|------|------|------|------|
|            | 15   | 14   | 13   | 12   | 11   | 10   | 9    | 8    |
| PF3 (PF3H) | 0    | 0    | 0    | 0    | 0    | 0    | PF39 | PF38 |
|            | 7    | 6    | 5    | 4    | 3    | 2    | 1    | 0    |
| (PF3L)     | PF37 | PF36 | PF35 | PF34 | PF33 | PF32 | PF31 | PF30 |

|      |                                                                 |
|------|-----------------------------------------------------------------|
| PF3n | Control of normal output or N-ch open-drain output (n = 0 to 9) |
| 0    | Normal output (CMOS output)                                     |
| 1    | N-ch open-drain output                                          |

<R>

**Caution** When an output pin is pulled up at EVDD or higher, be sure to set the corresponding PF3n bit to 1.

- Remarks**
1. The PF3 register can be read or written in 16-bit units.  
However, when using the higher 8 bits of the PF3 register as the PF3H register and the lower 8 bits as the PF3L register, PF3 can be read or written in 8-bit or 1-bit units.
  2. To read/write bits 8 to 15 of the PF3 register in 8-bit or 1-bit units, specify them as bits 0 to 7 of the PF3H register.

4.3.4 Port 4

Port 4 is a 3-bit port that controls I/O in 1-bit units.

Port 4 includes the following alternate-function pins.

Table 4-7. Port 4 Alternate-Function Pins

| Pin Name | Pin No. |    | Alternate-Function Pin Name | I/O | Remark                               | Block Type |
|----------|---------|----|-----------------------------|-----|--------------------------------------|------------|
|          | GF      | GC |                             |     |                                      |            |
| P40      | 24      | 22 | SIB0/SDA01                  | I/O | Selectable as N-ch open-drain output | G-6        |
| P41      | 25      | 23 | SOB0/SCL01                  | I/O |                                      | G-12       |
| P42      | 26      | 24 | SCKB0                       | I/O |                                      | E-3        |

**Caution** The P40 to P42 pins have hysteresis characteristics in the input mode of the alternate-function pin, but do not have the hysteresis characteristics in the port mode.

**Remark** GF: 100-pin plastic QFP (14 × 20)  
GC: 100-pin plastic LQFP (fine pitch) (14 × 14)

(1) Port 4 register (P4)

After reset: 00H (output latch) R/W Address: FFFFF408H

|    |   |   |   |   |   |     |     |     |
|----|---|---|---|---|---|-----|-----|-----|
|    | 7 | 6 | 5 | 4 | 3 | 2   | 1   | 0   |
| P4 | 0 | 0 | 0 | 0 | 0 | P42 | P41 | P40 |

|     |                                                   |
|-----|---------------------------------------------------|
| P4n | Output data control (in output mode) (n = 0 to 2) |
| 0   | Outputs 0                                         |
| 1   | Outputs 1                                         |

(2) Port 4 mode register (PM4)

After reset: FFH R/W Address: FFFFF428H

|     |   |   |   |   |   |      |      |      |
|-----|---|---|---|---|---|------|------|------|
|     | 7 | 6 | 5 | 4 | 3 | 2    | 1    | 0    |
| PM4 | 1 | 1 | 1 | 1 | 1 | PM42 | PM41 | PM40 |

|      |                               |
|------|-------------------------------|
| PM4n | I/O mode control (n = 0 to 2) |
| 0    | Output mode                   |
| 1    | Input mode                    |

**(3) Port 4 mode control register (PMC4)**

After reset: 00H    R/W    Address: FFFFF448H

|      |   |   |   |   |   |       |       |       |
|------|---|---|---|---|---|-------|-------|-------|
|      | 7 | 6 | 5 | 4 | 3 | 2     | 1     | 0     |
| PMC4 | 0 | 0 | 0 | 0 | 0 | PMC42 | PMC41 | PMC40 |

|       |                                         |
|-------|-----------------------------------------|
| PMC42 | Specification of P42 pin operation mode |
| 0     | I/O port                                |
| 1     | $\overline{\text{SCKB0}}$ I/O           |

|       |                                         |
|-------|-----------------------------------------|
| PMC41 | Specification of P41 pin operation mode |
| 0     | I/O port                                |
| 1     | SOB0 output/SCL01 I/O                   |

|       |                                         |
|-------|-----------------------------------------|
| PMC40 | Specification of P40 pin operation mode |
| 0     | I/O port                                |
| 1     | SIB0 input/SDA01 I/O                    |

**(4) Port 4 function control register (PFC4)**

After reset: 00H    R/W    Address: FFFFF468H

|      |   |   |   |   |   |   |       |       |
|------|---|---|---|---|---|---|-------|-------|
|      | 7 | 6 | 5 | 4 | 3 | 2 | 1     | 0     |
| PFC4 | 0 | 0 | 0 | 0 | 0 | 0 | PFC41 | PFC40 |

|       |                                             |
|-------|---------------------------------------------|
| PFC41 | Specification of P41 pin alternate function |
| 0     | SOB0 output                                 |
| 1     | SCL01 I/O                                   |

|       |                                             |
|-------|---------------------------------------------|
| PFC40 | Specification of P40 pin alternate function |
| 0     | SIB0 input                                  |
| 1     | SDA01 I/O                                   |

## (5) Port 4 function register (PF4)

After reset: 00H R/W Address: FFFFFFFC68H

|     |   |   |   |   |   |      |      |      |
|-----|---|---|---|---|---|------|------|------|
|     | 7 | 6 | 5 | 4 | 3 | 2    | 1    | 0    |
| PF4 | 0 | 0 | 0 | 0 | 0 | PF42 | PF41 | PF40 |

|      |                                                                 |
|------|-----------------------------------------------------------------|
| PF4n | Control of normal output or N-ch open-drain output (n = 0 to 2) |
| 0    | Normal output (CMOS output)                                     |
| 1    | N-ch open-drain output                                          |

&lt;R&gt;

**Caution** When an output pin is pulled up at EVDD or higher, be sure to set the corresponding PF4n bit to 1.

4.3.5 Port 5

Port 5 is a 6-bit port that controls I/O in 1-bit units.

Port 5 includes the following alternate-function pins.

Table 4-8. Port 5 Alternate-Function Pins

| Pin Name            | Pin No. |    | Alternate-Function Pin Name | I/O   | Remark                               | Block Type |
|---------------------|---------|----|-----------------------------|-------|--------------------------------------|------------|
|                     | GF      | GC |                             |       |                                      |            |
| P50                 | 39      | 37 | KR0                         | Input | Selectable as N-ch open-drain output | U-20       |
| P51                 | 40      | 38 | KR1                         | Input |                                      | U-20       |
| P52 <sup>Note</sup> | 41      | 39 | KR2                         | Input |                                      | U-21       |
| P53 <sup>Note</sup> | 42      | 40 | KR3                         | Input |                                      | U-22       |
| P54 <sup>Note</sup> | 43      | 41 | KR4                         | Input |                                      | U-23       |
| P55 <sup>Note</sup> | 44      | 42 | KR5                         | Input |                                      | U-24       |

<R>

**Note** This pin functions alternately as the on-chip debug function pin (DDI, DDO, DCK, or DMS) in the flash memory version (V850ES/SG2 ( $\mu$ PD70F3261Y, 70F3271Y, 70F3281Y)).

If the flash memory is used but on-chip debugging is not used, fix the P05/INTP2 pin to low level between when the reset signal of the  $\overline{\text{RESET}}$  pin is released and when the OCDM.OCDM0 bit is cleared (0). Although the mask ROM versions do not support the on-chip debug mode, handle the P05/INTP2 pin the same as the flash memory versions.

For details, see 4.6.3 Cautions on on-chip debug pins.

<R>

- Cautions 1. The P53 pin may momentarily output an undefined level upon power application.**  
**2. The P50 to P55 pins have hysteresis characteristics in the input mode of the alternate function, but do not have hysteresis characteristics in the port mode.**

**Remark** GF: 100-pin plastic QFP (14 × 20)  
 GC: 100-pin plastic LQFP (fine pitch) (14 × 14)

(1) Port 5 register (P5)

|                                 |                                                   |     |                    |     |     |     |     |     |
|---------------------------------|---------------------------------------------------|-----|--------------------|-----|-----|-----|-----|-----|
| After reset: 00H (output latch) |                                                   | R/W | Address: FFFFF40AH |     |     |     |     |     |
|                                 | 7                                                 | 6   | 5                  | 4   | 3   | 2   | 1   | 0   |
| P5                              | 0                                                 | 0   | P55                | P54 | P53 | P52 | P51 | P50 |
| P5n                             | Output data control (in output mode) (n = 0 to 5) |     |                    |     |     |     |     |     |
| 0                               | Outputs 0                                         |     |                    |     |     |     |     |     |
| 1                               | Outputs 1                                         |     |                    |     |     |     |     |     |

**(2) Port 5 mode register (PM5)**

After reset: FFH R/W Address: FFFFF42AH

|     |   |   |      |      |      |      |      |      |
|-----|---|---|------|------|------|------|------|------|
|     | 7 | 6 | 5    | 4    | 3    | 2    | 1    | 0    |
| PM5 | 1 | 1 | PM55 | PM54 | PM53 | PM52 | PM51 | PM50 |

|      |                               |
|------|-------------------------------|
| PM5n | I/O mode control (n = 0 to 5) |
| 0    | Output mode                   |
| 1    | Input mode                    |

**(3) Port 5 mode control register (PMC5)**

After reset: 00H R/W Address: FFFFF44AH

|      |   |   |       |       |       |       |       |       |
|------|---|---|-------|-------|-------|-------|-------|-------|
|      | 7 | 6 | 5     | 4     | 3     | 2     | 1     | 0     |
| PMC5 | 0 | 0 | PMC55 | PMC54 | PMC53 | PMC52 | PMC51 | PMC50 |

|       |                                         |
|-------|-----------------------------------------|
| PMC55 | Specification of P55 pin operation mode |
| 0     | I/O port                                |
| 1     | KR5 input                               |

|       |                                         |
|-------|-----------------------------------------|
| PMC54 | Specification of P54 pin operation mode |
| 0     | I/O port                                |
| 1     | KR4 input                               |

|       |                                         |
|-------|-----------------------------------------|
| PMC53 | Specification of P53 pin operation mode |
| 0     | I/O port                                |
| 1     | KR3 input                               |

|       |                                         |
|-------|-----------------------------------------|
| PMC52 | Specification of P52 pin operation mode |
| 0     | I/O port                                |
| 1     | KR2 input                               |

|       |                                         |
|-------|-----------------------------------------|
| PMC51 | Specification of P51 pin operation mode |
| 0     | I/O port                                |
| 1     | KR1 input                               |

|       |                                         |
|-------|-----------------------------------------|
| PMC50 | Specification of P50 pin operation mode |
| 0     | I/O port                                |
| 1     | KR0 input                               |



**(4) Port 5 function control register (PFC5)**

After reset: 00H R/W Address: FFFFF46AH

|      |   |   |       |       |       |       |       |       |
|------|---|---|-------|-------|-------|-------|-------|-------|
|      | 7 | 6 | 5     | 4     | 3     | 2     | 1     | 0     |
| PFC5 | 0 | 0 | PFC55 | PFC54 | PFC53 | PFC52 | PFC51 | PFC50 |

**Remark** For details of alternate function specification, see **4.3.5 (6) Port 5 alternate function specifications.**

**(5) Port 5 function control expansion register (PFCE5)**

After reset: 00H R/W Address: FFFFF70AH

|       |   |   |        |        |        |        |        |        |
|-------|---|---|--------|--------|--------|--------|--------|--------|
|       | 7 | 6 | 5      | 4      | 3      | 2      | 1      | 0      |
| PFCE5 | 0 | 0 | PFCE55 | PFCE54 | PFCE53 | PFCE52 | PFCE51 | PFCE50 |

**Remark** For details of alternate function specification, see **4.3.5 (6) Port 5 alternate function specifications.**

(6) Port 5 alternate function specifications

|                  |       |                                             |
|------------------|-------|---------------------------------------------|
| PFCE55           | PFC55 | Specification of P55 pin alternate function |
| 0                | 1     | KR5 input                                   |
| Other than above |       | Setting prohibited                          |

|                  |       |                                             |
|------------------|-------|---------------------------------------------|
| PFCE54           | PFC54 | Specification of P54 pin alternate function |
| 0                | 1     | KR4 input                                   |
| Other than above |       | Setting prohibited                          |

|                  |       |                                             |
|------------------|-------|---------------------------------------------|
| PFCE53           | PFC53 | Specification of P53 pin alternate function |
| 0                | 1     | KR3 input                                   |
| Other than above |       | Setting prohibited                          |

|                  |       |                                             |
|------------------|-------|---------------------------------------------|
| PFCE52           | PFC52 | Specification of P52 pin alternate function |
| 0                | 1     | KR2 input                                   |
| Other than above |       | Setting prohibited                          |

|                  |       |                                             |
|------------------|-------|---------------------------------------------|
| PFCE51           | PFC51 | Specification of P51 pin alternate function |
| 0                | 1     | KR1 input                                   |
| Other than above |       | Setting prohibited                          |

|                  |       |                                             |
|------------------|-------|---------------------------------------------|
| PFCE50           | PFC50 | Specification of P50 pin alternate function |
| 0                | 1     | KR0 input                                   |
| Other than above |       | Setting prohibited                          |

(7) Port 5 function register (PF5)

After reset: 00H R/W Address: FFFFC6AH

|     |   |   |      |      |      |      |      |      |
|-----|---|---|------|------|------|------|------|------|
|     | 7 | 6 | 5    | 4    | 3    | 2    | 1    | 0    |
| PF5 | 0 | 0 | PF55 | PF54 | PF53 | PF52 | PF51 | PF50 |

|      |                                                                 |
|------|-----------------------------------------------------------------|
| PF5n | Control of normal output or N-ch open-drain output (n = 0 to 5) |
| 0    | Normal output (CMOS output)                                     |
| 1    | N-ch open-drain output                                          |

**Caution** When an output pin is pulled up at EVDD or higher, be sure to set the corresponding PF5n bit to 1.

<R>

### 4.3.6 Port 7

Port 7 is a 12-bit port for which I/O settings can be controlled in 1-bit units.

Port 7 includes the following alternate-function pins.

**Table 4-9. Port 7 Alternate-Function Pins**

| Pin Name | Pin No. |     | Alternate-Function Pin Name | I/O   | Remark | Block Type |
|----------|---------|-----|-----------------------------|-------|--------|------------|
|          | GF      | GC  |                             |       |        |            |
| P70      | 2       | 100 | ANI0                        | Input | -      | A-1        |
| P71      | 1       | 99  | ANI1                        | Input |        | A-1        |
| P72      | 100     | 98  | ANI2                        | Input |        | A-1        |
| P73      | 99      | 97  | ANI3                        | Input |        | A-1        |
| P74      | 98      | 96  | ANI4                        | Input |        | A-1        |
| P77      | 97      | 95  | ANI5                        | Input |        | A-1        |
| P76      | 96      | 94  | ANI6                        | Input |        | A-1        |
| P77      | 95      | 93  | ANI7                        | Input |        | A-1        |
| P78      | 94      | 92  | ANI8                        | Input |        | A-1        |
| P79      | 93      | 91  | ANI9                        | Input |        | A-1        |
| P710     | 92      | 90  | ANI10                       | Input |        | A-1        |
| P711     | 91      | 89  | ANI11                       | Input |        | A-1        |

**Remark** GF: 100-pin plastic QFP (14 × 20)  
GC: 100-pin plastic LQFP (fine pitch) (14 × 14)

(1) Port 7 register H, port 7 register L (P7H, P7L)

<R>

After reset: 00H (output latch) R/W Address: P7L FFFFF40EH, P7H FFFFF40FH

|     |   |   |   |   |      |      |     |     |
|-----|---|---|---|---|------|------|-----|-----|
|     | 7 | 6 | 5 | 4 | 3    | 2    | 1   | 0   |
| P7H | 0 | 0 | 0 | 0 | P711 | P710 | P79 | P78 |

|     |     |     |     |     |     |     |     |     |
|-----|-----|-----|-----|-----|-----|-----|-----|-----|
|     | 7   | 6   | 5   | 4   | 3   | 2   | 1   | 0   |
| P7L | P77 | P76 | P75 | P74 | P73 | P72 | P71 | P70 |

|     |                                                    |
|-----|----------------------------------------------------|
| P7n | Output data control (in output mode) (n = 0 to 11) |
| 0   | Outputs 0                                          |
| 1   | Outputs 1                                          |

<R>

**Caution** Do not perform read or write to the P7H and P7L registers during A/D conversion (refer to 11.6 (4) Alternate I/O).

**Remark** These registers cannot be accessed in 16-bit units as the P7 register. They can be read or written in 8-bit or 1-bit units as the P7H and P7L registers.

(2) Port 7 mode register H, port 7 mode register L (PM7H, PM7L)

After reset: FFH R/W Address: PM7L FFFFF42EH, PM7H FFFFF42FH

|      |   |   |   |   |       |       |      |      |
|------|---|---|---|---|-------|-------|------|------|
|      | 7 | 6 | 5 | 4 | 3     | 2     | 1    | 0    |
| PM7H | 1 | 1 | 1 | 1 | PM711 | PM710 | PM79 | PM78 |

|      |      |      |      |      |      |      |      |      |
|------|------|------|------|------|------|------|------|------|
|      | 7    | 6    | 5    | 4    | 3    | 2    | 1    | 0    |
| PM7L | PM77 | PM76 | PM75 | PM74 | PM73 | PM72 | PM71 | PM70 |

|      |                                |
|------|--------------------------------|
| PM7n | I/O mode control (n = 0 to 11) |
| 0    | Output mode                    |
| 1    | Input mode                     |

**Caution** When using the P7n pin as its alternate function (ANIn pin), set the PM7n bit to 1.

**Remark** These registers cannot be accessed in 16-bit units as the PM7 register. They can be read or written in 8-bit or 1-bit units as the PM7H and PM7L registers.

### 4.3.7 Port 9

Port 9 is a 16-bit port for which I/O settings can be controlled in 1-bit units.

Port 9 includes the following alternate-function pins.

**Table 4-10. Port 9 Alternate-Function Pins**

| Pin Name | Pin No. |    | Alternate-Function Pin Name                            | I/O    | Remark                               | Block Type |
|----------|---------|----|--------------------------------------------------------|--------|--------------------------------------|------------|
|          | GF      | GC |                                                        |        |                                      |            |
| P90      | 45      | 43 | A0/KR6/TXDA1                                           | I/O    | Selectable as N-ch open-drain output | U-25       |
| P91      | 46      | 44 | A1/KR7/RXDA1                                           | I/O    |                                      | U-26       |
| P92      | 47      | 45 | A2/TIP41/TOP41                                         | I/O    |                                      | U-12       |
| P93      | 48      | 46 | A3/TIP40/TOP40                                         | I/O    |                                      | U-12       |
| P94      | 49      | 47 | A4/TIP31/TOP31                                         | I/O    |                                      | U-12       |
| P95      | 50      | 48 | A5/TIP30/TOP30                                         | I/O    |                                      | U-12       |
| P96      | 51      | 49 | A6/TIP21/TOP21                                         | I/O    |                                      | U-13       |
| P97      | 52      | 50 | A7/SIB1/TIP20/TOP20                                    | I/O    |                                      | U-14       |
| P98      | 53      | 51 | A8/SOB1                                                | Output |                                      | G-3        |
| P99      | 54      | 52 | A9/ $\overline{\text{SCKB1}}$                          | I/O    |                                      | G-5        |
| P910     | 55      | 53 | A10/SIB3                                               | I/O    |                                      | G-2        |
| P911     | 56      | 54 | A11/SOB3                                               | Output |                                      | G-3        |
| P912     | 57      | 55 | A12/ $\overline{\text{SCKB3}}$                         | I/O    |                                      | G-5        |
| P913     | 58      | 56 | A13/INTP4                                              | I/O    |                                      | N-2        |
| P914     | 59      | 57 | A14/INTP5                                              | I/O    | U-27                                 |            |
|          | -       | 57 | A14/INTP5/TIP51 <sup>Note</sup> /TOP51 <sup>Note</sup> | I/O    | U-15                                 |            |
| P915     | 60      | 58 | A15/INTP6                                              | I/O    | U-27                                 |            |
|          | -       | 58 | A15/INTP6/TIP50 <sup>Note</sup> /TOP50 <sup>Note</sup> | I/O    | U-15                                 |            |

&lt;R&gt;

&lt;R&gt;

&lt;R&gt;

**Note**  $\mu$ PD703253Y only

&lt;R&gt;

**Caution** The P90 to P97, P99, P910, and P912 to P915 pins have hysteresis characteristics in the input mode of the alternate-function pin, but do not have the hysteresis characteristics in the port mode.

**Remark** GF: 100-pin plastic QFP (14 × 20)  
GC: 100-pin plastic LQFP (fine pitch) (14 × 14)

(1) Port 9 register (P9)

After reset: 0000H (output latch) R/W Address: P9 FFFFF412H,  
P9L FFFFF412H, P9H FFFFF413H

|          |                                                    |      |      |      |      |      |     |     |
|----------|----------------------------------------------------|------|------|------|------|------|-----|-----|
|          | 15                                                 | 14   | 13   | 12   | 11   | 10   | 9   | 8   |
| P9 (P9H) | P915                                               | P914 | P913 | P912 | P911 | P910 | P99 | P98 |
|          | 7                                                  | 6    | 5    | 4    | 3    | 2    | 1   | 0   |
| (P9L)    | P97                                                | P96  | P95  | P94  | P93  | P92  | P91 | P90 |
| P9n      | Output data control (in output mode) (n = 0 to 15) |      |      |      |      |      |     |     |
| 0        | Outputs 0                                          |      |      |      |      |      |     |     |
| 1        | Outputs 1                                          |      |      |      |      |      |     |     |

- Remarks**
- The P9 register can be read or written in 16-bit units. However, when using the higher 8 bits of the P9 register as the P9H register and the lower 8 bits as the P9L register, P9 can be read or written in 8-bit or 1-bit units.
  - To read/write bits 8 to 15 of the P9 register in 8-bit or 1-bit units, specify them as bits 0 to 7 of the P9H register.

(2) Port 9 mode register (PM9)

After reset: FFFFH R/W Address: PM9 FFFFF432H,  
PM9L FFFFF432H, PM9H FFFFF433H

|            |                                |       |       |       |       |       |      |      |
|------------|--------------------------------|-------|-------|-------|-------|-------|------|------|
|            | 15                             | 14    | 13    | 12    | 11    | 10    | 9    | 8    |
| PM9 (PM9H) | PM915                          | PM914 | PM913 | PM912 | PM911 | PM910 | PM99 | PM98 |
|            | 7                              | 6     | 5     | 4     | 3     | 2     | 1    | 0    |
| (PM9L)     | PM97                           | PM96  | PM95  | PM94  | PM93  | PM92  | PM91 | PM90 |
| PM9n       | I/O mode control (n = 0 to 15) |       |       |       |       |       |      |      |
| 0          | Output mode                    |       |       |       |       |       |      |      |
| 1          | Input mode                     |       |       |       |       |       |      |      |

- Remarks**
- The PM9 register can be read or written in 16-bit units. However, when using the higher 8 bits of the PM9 register as the PM9H register and the lower 8 bits as the PM9L register, PM9 can be read or written in 8-bit and 1-bit units.
  - To read/write bits 8 to 15 of the PM9 register in 8-bit or 1-bit units, specify them as bits 0 to 7 of the PM9H register.

(3) Port 9 mode control register (PMC9)

(1/2)

After reset: 0000H R/W Address: PMC9 FFFFF452H,  
 PMC9L FFFFF452H, PMC9H FFFFF453H

|              |        |        |        |        |        |        |       |       |
|--------------|--------|--------|--------|--------|--------|--------|-------|-------|
|              | 15     | 14     | 13     | 12     | 11     | 10     | 9     | 8     |
| PMC9 (PMC9H) | PMC915 | PMC914 | PMC913 | PMC912 | PMC911 | PMC910 | PMC99 | PMC98 |

|         |       |       |       |       |       |       |       |       |
|---------|-------|-------|-------|-------|-------|-------|-------|-------|
|         | 7     | 6     | 5     | 4     | 3     | 2     | 1     | 0     |
| (PMC9L) | PMC97 | PMC96 | PMC95 | PMC94 | PMC93 | PMC92 | PMC91 | PMC90 |

<R>

|        |                                                                                  |
|--------|----------------------------------------------------------------------------------|
| PMC915 | Specification of P915 pin operation mode                                         |
| 0      | I/O port                                                                         |
| 1      | A15 output/INTP6 input/TIP50 input <sup>Note</sup> /TOP50 output <sup>Note</sup> |

<R>

|        |                                                                                  |
|--------|----------------------------------------------------------------------------------|
| PMC914 | Specification of P914 pin operation mode                                         |
| 0      | I/O port                                                                         |
| 1      | A14 output/INTP5 input/TIP51 input <sup>Note</sup> /TOP51 output <sup>Note</sup> |

|        |                                          |
|--------|------------------------------------------|
| PMC913 | Specification of P913 pin operation mode |
| 0      | I/O port                                 |
| 1      | A13 output/INTP4 input                   |

|        |                                          |
|--------|------------------------------------------|
| PMC912 | Specification of P912 pin operation mode |
| 0      | I/O port                                 |
| 1      | A12 output/SCKB3 I/O                     |

|        |                                          |
|--------|------------------------------------------|
| PMC911 | Specification of P911 pin operation mode |
| 0      | I/O port                                 |
| 1      | A11 output/SOB3 output                   |

|        |                                          |
|--------|------------------------------------------|
| PMC910 | Specification of P910 pin operation mode |
| 0      | I/O port                                 |
| 1      | A10 output/SIB3 input                    |

|       |                                         |
|-------|-----------------------------------------|
| PMC99 | Specification of P99 pin operation mode |
| 0     | I/O port                                |
| 1     | A9 output/SCKB1 I/O                     |

<R>

**Note**  $\mu$ PD703253Y only

- Remarks**
- The PMC9 register can be read or written in 16-bit units. However, when using the higher 8 bits of the PMC9 register as the PMC9H register and the lower 8 bits as the PMC9L register, PMC9 can be read or written in 8-bit or 1-bit units.
  - To read/write bits 8 to 15 of the PMC9 register in 8-bit or 1-bit units, specify them as bits 0 to 7 of the PMC9H register.

|       |                                               |
|-------|-----------------------------------------------|
| PMC98 | Specification of P98 pin operation mode       |
| 0     | I/O port                                      |
| 1     | A8 output/SOB1 output                         |
| PMC97 | Specification of P97 pin operation mode       |
| 0     | I/O port                                      |
| 1     | A7 output/SIB1 input/TIP20 input/TOP20 output |
| PMC96 | Specification of P96 pin operation mode       |
| 0     | I/O port                                      |
| 1     | A6 output/TIP21 input/TOP21 output            |
| PMC95 | Specification of P95 pin operation mode       |
| 0     | I/O port                                      |
| 1     | A5 output/TIP30 input/TOP30 output            |
| PMC94 | Specification of P94 pin operation mode       |
| 0     | I/O port                                      |
| 1     | A4 output/TIP31 input/TOP31 output            |
| PMC93 | Specification of P93 pin operation mode       |
| 0     | I/O port                                      |
| 1     | A3 output/TIP40 input/TOP40 output            |
| PMC92 | Specification of P92 pin operation mode       |
| 0     | I/O port                                      |
| 1     | A2 output/TIP41 input/TOP41 output            |
| PMC91 | Specification of P91 pin operation mode       |
| 0     | I/O port                                      |
| 1     | A1 output/KR7 input/RXDA1 input               |
| PMC90 | Specification of P90 pin operation mode       |
| 0     | I/O port                                      |
| 1     | A0 output/KR6 input/TXDA1 output              |

<R> **Caution** Port 9 pins cannot be used as port pins or other alternate-function pins if even one of the A0 to A15 pins is used in the separate bus mode. After setting the PFC9 and PFCE9 registers to 0000H, therefore, set all 16 bits of the PMC9 register to FFFFH at once. If even one of the A0 to A15 pins is not used in the separate bus mode, port 9 pins can be used as port pins or other alternate-function pins.



(4) Port 9 function control register (PFC9)

<R>

**Caution** Port 9 pins cannot be used as port pins or other alternate-function pins if even one of the A0 to A15 pins is used in the separate bus mode. After setting the PFC9 and PFCE9 registers to 0000H, therefore, set all 16 bits of the PMC9 register to FFFFH at once. If even one of the A0 to A15 pins is not used in the separate bus mode, port 9 pins can be used as port pins or other alternate-function pins.

After reset: 0000H    R/W    Address: PFC9 FFFFF472H,  
PFC9L FFFFF472H, PFC9H FFFFF473H

|              |        |        |        |        |        |        |       |       |
|--------------|--------|--------|--------|--------|--------|--------|-------|-------|
|              | 15     | 14     | 13     | 12     | 11     | 10     | 9     | 8     |
| PFC9 (PFC9H) | PFC915 | PFC914 | PFC913 | PFC912 | PFC911 | PFC910 | PFC99 | PFC98 |
|              | 7      | 6      | 5      | 4      | 3      | 2      | 1     | 0     |
| (PFC9L)      | PFC97  | PFC96  | PFC95  | PFC94  | PFC93  | PFC92  | PFC91 | PFC90 |

**Remarks**

1. For details of alternate function specification, see 4.3.7 (6) Port 9 alternate function specifications.
2. The PFC9 register can be read or written in 16-bit units.  
However, when using the higher 8 bits of the PFC9 register as the PFC9H register and the lower 8 bits as the PFC9L register, PFC9 can be read or written in 8-bit or 1-bit units.
3. To read/write bits 8 to 15 of the PFC9 register in 8-bit or 1-bit units, specify them as bits 0 to 7 of the PFC9H register.

(5) Port 9 function control expansion register (PFCE9)

After reset: 0000H    R/W    Address: PFCE9 FFFFF712H,  
PFCE9L FFFFF712H, PFCE9H FFFFF713H

|                |         |         |        |        |        |        |        |        |
|----------------|---------|---------|--------|--------|--------|--------|--------|--------|
|                | 15      | 14      | 13     | 12     | 11     | 10     | 9      | 8      |
| PFCE9 (PFCE9H) | PFCE915 | PFCE914 | 0      | 0      | 0      | 0      | 0      | 0      |
|                | 7       | 6       | 5      | 4      | 3      | 2      | 1      | 0      |
| (PFCE9L)       | PFCE97  | PFCE96  | PFCE95 | PFCE94 | PFCE93 | PFCE92 | PFCE91 | PFCE90 |

**Remarks**

1. For details of alternate function specification, see 4.3.7 (6) Port 9 alternate function specifications.
2. The PFCE9 register can be read or written in 16-bit units.  
However, when using the higher 8 bits of the PFCE9 register as the PFCE9H register and the lower 8 bits as the PFCE9L register, PFCE9 can be read or written in 8-bit or 1-bit units.
3. To read/write bits 8 to 15 of the PFCE9 register in 8-bit or 1-bit units, specify them as bits 0 to 7 of the PFCE9H register.

(6) Port 9 alternate function specifications

<R>

<R>

| PFC915 | PFC915 | Specification of P915 pin alternate function |
|--------|--------|----------------------------------------------|
| 0      | 0      | A15 output                                   |
| 0      | 1      | INTP6 input                                  |
| 1      | 0      | TIP50 input <sup>Note</sup>                  |
| 1      | 1      | TOP50 output <sup>Note</sup>                 |

<R>

<R>

| PFC914 | PFC914 | Specification of P914 pin alternate function |
|--------|--------|----------------------------------------------|
| 0      | 0      | A14 output                                   |
| 0      | 1      | INTP5 input                                  |
| 1      | 0      | TIP51 input <sup>Note</sup>                  |
| 1      | 1      | TOP51 output <sup>Note</sup>                 |

| PFC913 | Specification of P913 pin alternate function |
|--------|----------------------------------------------|
| 0      | A13 output                                   |
| 1      | INTP4 input                                  |

| PFC912 | Specification of P912 pin alternate function |
|--------|----------------------------------------------|
| 0      | A12 output                                   |
| 1      | $\overline{\text{SCKB3}}$ I/O                |

| PFC911 | Specification of P911 pin alternate function |
|--------|----------------------------------------------|
| 0      | A11 output                                   |
| 1      | SOB3 output                                  |

| PFC910 | Specification of P910 pin alternate function |
|--------|----------------------------------------------|
| 0      | A10 output                                   |
| 1      | SIB3 input                                   |

| PFC99 | Specification of P99 pin alternate function |
|-------|---------------------------------------------|
| 0     | A9 output                                   |
| 1     | $\overline{\text{SCKB1}}$ I/O               |

| PFC98 | Specification of P98 pin alternate function |
|-------|---------------------------------------------|
| 0     | A8 output                                   |
| 1     | SOB1 output                                 |

| PFC97 | PFC97 | Specification of P97 pin alternate function |
|-------|-------|---------------------------------------------|
| 0     | 0     | A7 output                                   |
| 0     | 1     | SIB1 input                                  |
| 1     | 0     | TIP20 input                                 |
| 1     | 1     | TOP20 output                                |

<R>

**Note**  $\mu$ PD703253Y only

| PFCE96 | PFC96 | Specification of P96 pin alternate function |
|--------|-------|---------------------------------------------|
| 0      | 0     | A6 output                                   |
| 0      | 1     | Setting prohibited                          |
| 1      | 0     | TIP21 input                                 |
| 1      | 1     | TOP21 output                                |

| PFCE95 | PFC95 | Specification of P95 pin alternate function |
|--------|-------|---------------------------------------------|
| 0      | 0     | A5 output                                   |
| 0      | 1     | TIP30 input                                 |
| 1      | 0     | TOP30 output                                |
| 1      | 1     | Setting prohibited                          |

| PFCE94 | PFC94 | Specification of P94 pin alternate function |
|--------|-------|---------------------------------------------|
| 0      | 0     | A4 output                                   |
| 0      | 1     | TIP31 input                                 |
| 1      | 0     | TOP31 output                                |
| 1      | 1     | Setting prohibited                          |

| PFCE93 | PFC93 | Specification of P93 pin alternate function |
|--------|-------|---------------------------------------------|
| 0      | 0     | A3 output                                   |
| 0      | 1     | TIP40 input                                 |
| 1      | 0     | TOP40 output                                |
| 1      | 1     | Setting prohibited                          |

| PFCE92 | PFC92 | Specification of P92 pin alternate function |
|--------|-------|---------------------------------------------|
| 0      | 0     | A2 output                                   |
| 0      | 1     | TIP41 input                                 |
| 1      | 0     | TOP41 output                                |
| 1      | 1     | Setting prohibited                          |

| PFCE91 | PFC91 | Specification of P91 pin alternate function |
|--------|-------|---------------------------------------------|
| 0      | 0     | A1 output                                   |
| 0      | 1     | KR7 input                                   |
| 1      | 0     | RXDA1 input/KR7 input <sup>Note</sup>       |
| 1      | 1     | Setting prohibited                          |

| PFCE90 | PFC90 | Specification of P90 pin alternate function |
|--------|-------|---------------------------------------------|
| 0      | 0     | A0 output                                   |
| 0      | 1     | KR6 input                                   |
| 1      | 0     | TXDA1 output                                |
| 1      | 1     | Setting prohibited                          |

**Note** The RXDA1 and KR7 pins must not be used at the same time. When using the RXDA1 pin, do not use the KR7 pin. When using the KR7 pin, do not use the RXDA1 pin (it is recommended to set the PFC91 bit to 1 and clear the PFCE91 bit to 0).

(7) Port 9 function register (PF9)

After reset: 0000H R/W Address: PF3 FFFFC72H,  
PF9L FFFFC72H, PF9H FFFFC73H

|            |       |       |       |       |       |       |      |      |
|------------|-------|-------|-------|-------|-------|-------|------|------|
|            | 15    | 14    | 13    | 12    | 11    | 10    | 9    | 8    |
| PF9 (PF9H) | PF915 | PF914 | PF913 | PF912 | PF911 | PF910 | PF99 | PF98 |

|        |      |      |      |      |      |      |      |      |
|--------|------|------|------|------|------|------|------|------|
|        | 7    | 6    | 5    | 4    | 3    | 2    | 1    | 0    |
| (PF9L) | PF97 | PF96 | PF95 | PF94 | PF93 | PF92 | PF91 | PF90 |

|      |                                                                  |
|------|------------------------------------------------------------------|
| PF9n | Control of normal output or N-ch open-drain output (n = 0 to 15) |
| 0    | Normal output (CMOS output)                                      |
| 1    | N-ch open-drain output                                           |

<R> **Caution** When an output pin is pulled up at EVDD or higher, be sure to set the corresponding PF9n bit to 1.

- Remarks**
1. The PF9 register can be read or written in 16-bit units.  
However, when using the higher 8 bits of the PF9 register as the PF9H register and the lower 8 bits as the PF9L register, PF9 can be read or written in 8-bit or 1-bit units.
  2. To read/write bits 8 to 15 of the PF9 register in 8-bit or 1-bit units, specify them as bits 0 to 7 of the PF9H register.

**4.3.8 Port CM**

Port CM is a 4-bit port for which I/O settings can be controlled in 1-bit units.

Port CM includes the following alternate-function pins.

**Table 4-11. Port CM Alternate-Function Pins**

| Pin Name | Pin No. |    | Alternate-Function Pin Name | I/O    | Remark | Block Type |
|----------|---------|----|-----------------------------|--------|--------|------------|
|          | GF      | GC |                             |        |        |            |
| PCM0     | 63      | 61 | WAIT                        | Input  | -      | D-1        |
| PCM1     | 64      | 62 | CLKOUT                      | Output |        | D-2        |
| PCM2     | 65      | 63 | HLD $\overline{\text{AK}}$  | Output |        | D-2        |
| PCM3     | 66      | 64 | H $\overline{\text{LDRQ}}$  | Input  |        | D-1        |

**Remark** GF: 100-pin plastic QFP (14 × 20)  
 GC: 100-pin plastic LQFP (fine pitch) (14 × 14)

**(1) Port CM register (PCM)**

After reset: 00H (output latch)    R/W    Address: FFFFF00CH

|     |   |   |   |   |      |      |      |      |
|-----|---|---|---|---|------|------|------|------|
|     | 7 | 6 | 5 | 4 | 3    | 2    | 1    | 0    |
| PCM | 0 | 0 | 0 | 0 | PCM3 | PCM2 | PCM1 | PCM0 |

|      |                                                   |
|------|---------------------------------------------------|
| PCMn | Output data control (in output mode) (n = 0 to 3) |
| 0    | Outputs 0                                         |
| 1    | Outputs 1                                         |

**(2) Port CM mode register (PMCM)**

After reset: FFH    R/W    Address: FFFFF02CH

|      |   |   |   |   |       |       |       |       |
|------|---|---|---|---|-------|-------|-------|-------|
|      | 7 | 6 | 5 | 4 | 3     | 2     | 1     | 0     |
| PMCM | 1 | 1 | 1 | 1 | PMCM3 | PMCM2 | PMCM1 | PMCM0 |

|       |                               |
|-------|-------------------------------|
| PMCMn | I/O mode control (n = 0 to 3) |
| 0     | Output mode                   |
| 1     | Input mode                    |

(3) Port CM mode control register (PMCCM)

After reset: 00H R/W Address: FFFFF04CH

|       |   |   |   |   |        |        |        |        |
|-------|---|---|---|---|--------|--------|--------|--------|
|       | 7 | 6 | 5 | 4 | 3      | 2      | 1      | 0      |
| PMCCM | 0 | 0 | 0 | 0 | PMCCM3 | PMCCM2 | PMCCM1 | PMCCM0 |

|        |                                          |
|--------|------------------------------------------|
| PMCCM3 | Specification of PCM3 pin operation mode |
| 0      | I/O port                                 |
| 1      | $\overline{\text{HLDRQ}}$ input          |

|        |                                          |
|--------|------------------------------------------|
| PMCCM2 | Specification of PCM2 pin operation mode |
| 0      | I/O port                                 |
| 1      | $\overline{\text{HLDAK}}$ output         |

|        |                                          |
|--------|------------------------------------------|
| PMCCM1 | Specification of PCM1 pin operation mode |
| 0      | I/O port                                 |
| 1      | CLKOUT output                            |

|        |                                          |
|--------|------------------------------------------|
| PMCCM0 | Specification of PCM0 pin operation mode |
| 0      | I/O port                                 |
| 1      | $\overline{\text{WAIT}}$ input           |

4.3.9 Port CT

Port CT is a 4-bit port for which I/O settings can be controlled in 1-bit units.

Port CT includes the following alternate-function pins.

Table 4-12. Port CT Alternate-Function Pins

| Pin Name | Pin No. |    | Alternate-Function Pin Name | I/O    | Remark | Block Type |
|----------|---------|----|-----------------------------|--------|--------|------------|
|          | GF      | GC |                             |        |        |            |
| PCT0     | 67      | 65 | $\overline{WR0}$            | Output | -      | D-2        |
| PCT1     | 68      | 66 | $\overline{WR1}$            | Output |        | D-2        |
| PCT4     | 69      | 67 | $\overline{RD}$             | Output |        | D-2        |
| PCT6     | 70      | 68 | ASTB                        | Output |        | D-2        |

**Remark** GF: 100-pin plastic QFP (14 × 20)  
 GC: 100-pin plastic LQFP (fine pitch) (14 × 14)

(1) Port CT register (PCT)

After reset: 00H (output latch) R/W Address: FFFFF00AH

|     |   |      |   |      |   |   |      |      |
|-----|---|------|---|------|---|---|------|------|
|     | 7 | 6    | 5 | 4    | 3 | 2 | 1    | 0    |
| PCT | 0 | PCT6 | 0 | PCT4 | 0 | 0 | PCT1 | PCT0 |

|      |                                                       |
|------|-------------------------------------------------------|
| PCTn | Output data control (in output mode) (n = 0, 1, 4, 6) |
| 0    | Outputs 0                                             |
| 1    | Outputs 1                                             |

(2) Port CT mode register (PMCT)

After reset: FFH R/W Address: FFFFF02AH

|      |   |       |   |       |   |   |       |       |
|------|---|-------|---|-------|---|---|-------|-------|
|      | 7 | 6     | 5 | 4     | 3 | 2 | 1     | 0     |
| PMCT | 1 | PMCT6 | 1 | PMCT4 | 1 | 1 | PMCT1 | PMCT0 |

|       |                                   |
|-------|-----------------------------------|
| PMCTn | I/O mode control (n = 0, 1, 4, 6) |
| 0     | Output mode                       |
| 1     | Input mode                        |

(3) Port CT mode control register (PMCCT)

After reset: 00H R/W Address: FFFFF04AH

|       |   |        |   |        |   |   |        |        |
|-------|---|--------|---|--------|---|---|--------|--------|
|       | 7 | 6      | 5 | 4      | 3 | 2 | 1      | 0      |
| PMCCT | 0 | PMCCT6 | 0 | PMCCT4 | 0 | 0 | PMCCT1 | PMCCT0 |

|        |                                          |
|--------|------------------------------------------|
| PMCCT6 | Specification of PCT6 pin operation mode |
| 0      | I/O port                                 |
| 1      | ASTB output                              |

|        |                                          |
|--------|------------------------------------------|
| PMCCT4 | Specification of PCT4 pin operation mode |
| 0      | I/O port                                 |
| 1      | $\overline{RD}$ output                   |

|        |                                          |
|--------|------------------------------------------|
| PMCCT1 | Specification of PCT1 pin operation mode |
| 0      | I/O port                                 |
| 1      | $\overline{WR1}$ output                  |

|        |                                          |
|--------|------------------------------------------|
| PMCCT0 | Specification of PCT0 pin operation mode |
| 0      | I/O port                                 |
| 1      | $\overline{WR0}$ output                  |



4.3.10 Port DH

Port DH is a 6-bit port for which I/O settings can be controlled in 1-bit units.

Port DH includes the following alternate-function pins.

Table 4-13. Port DH Alternate-Function Pins

| Pin Name | Pin No. |    | Alternate-Function Pin Name | I/O    | Remark | Block Type |
|----------|---------|----|-----------------------------|--------|--------|------------|
|          | GF      | GC |                             |        |        |            |
| PDH0     | 89      | 87 | A16                         | Output | -      | D-2        |
| PDH1     | 90      | 88 | A17                         | Output |        | D-2        |
| PDH2     | 61      | 59 | A18                         | Output |        | D-2        |
| PDH3     | 62      | 60 | A19                         | Output |        | D-2        |
| PDH4     | 8       | 6  | A20                         | Output |        | D-2        |
| PDH5     | 9       | 7  | A21                         | Output |        | D-2        |

**Remark** GF: 100-pin plastic QFP (14 × 20)  
 GC: 100-pin plastic LQFP (fine pitch) (14 × 14)

(1) Port DH register (PDH)

After reset: 00H (output latch) R/W Address: FFFFF006H

|     |   |   |      |      |      |      |      |      |
|-----|---|---|------|------|------|------|------|------|
|     | 7 | 6 | 5    | 4    | 3    | 2    | 1    | 0    |
| PDH | 0 | 0 | PDH5 | PDH4 | PDH3 | PDH2 | PDH1 | PDH0 |

| PDHn | Output data control (in output mode) (n = 0 to 5) |
|------|---------------------------------------------------|
| 0    | Outputs 0                                         |
| 1    | Outputs 1                                         |

(2) Port DH mode register (PMDH)

After reset: FFH R/W Address: FFFFF026H

|      |   |   |       |       |       |       |       |       |
|------|---|---|-------|-------|-------|-------|-------|-------|
|      | 7 | 6 | 5     | 4     | 3     | 2     | 1     | 0     |
| PMDH | 1 | 1 | PMDH5 | PMDH4 | PMDH3 | PMDH2 | PMDH1 | PMDH0 |

| PMDHn | I/O mode control (n = 0 to 5) |
|-------|-------------------------------|
| 0     | Output mode                   |
| 1     | Input mode                    |

**(3) Port DH mode control register (PMCDH)**

After reset: 00H R/W Address: FFFFF046H

|       |   |   |        |        |        |        |        |        |
|-------|---|---|--------|--------|--------|--------|--------|--------|
|       | 7 | 6 | 5      | 4      | 3      | 2      | 1      | 0      |
| PMCDH | 0 | 0 | PMCDH5 | PMCDH4 | PMCDH3 | PMCDH2 | PMCDH1 | PMCDH0 |

|        |                                                       |
|--------|-------------------------------------------------------|
| PMCDHn | Specification of PDHn pin operation mode (n = 0 to 5) |
| 0      | I/O port                                              |
| 1      | Am output (address bus output) (m = 16 to 21)         |

### 4.3.11 Port DL

Port DL is a 16-bit port for which I/O settings can be controlled in 1-bit units.

Port DL includes the following alternate-function pins.

**Table 4-14. Port DL Alternate-Function Pins**

| Pin Name | Pin No. |    | Alternate-Function Pin Name | I/O | Remark | Block Type |
|----------|---------|----|-----------------------------|-----|--------|------------|
|          | GF      | GC |                             |     |        |            |
| PDL0     | 73      | 71 | AD0                         | I/O | -      | D-3        |
| PDL1     | 74      | 72 | AD1                         | I/O |        | D-3        |
| PDL2     | 75      | 73 | AD2                         | I/O |        | D-3        |
| PDL3     | 76      | 74 | AD3                         | I/O |        | D-3        |
| PDL4     | 77      | 75 | AD4                         | I/O |        | D-3        |
| PDL5     | 78      | 76 | AD5                         | I/O |        | D-3        |
| PDL6     | 79      | 77 | AD6                         | I/O |        | D-3        |
| PDL7     | 80      | 78 | AD7                         | I/O |        | D-3        |
| PDL8     | 81      | 79 | AD8                         | I/O |        | D-3        |
| PDL9     | 82      | 80 | AD9                         | I/O |        | D-3        |
| PDL10    | 83      | 81 | AD10                        | I/O |        | D-3        |
| PDL11    | 84      | 82 | AD11                        | I/O |        | D-3        |
| PDL12    | 85      | 83 | AD12                        | I/O |        | D-3        |
| PDL13    | 86      | 84 | AD13                        | I/O |        | D-3        |
| PDL14    | 87      | 85 | AD14                        | I/O |        | D-3        |
| PDL15    | 88      | 86 | AD15                        | I/O |        | D-3        |

**Remark** GF: 100-pin plastic QFP (14 × 20)

GC: 100-pin plastic LQFP (fine pitch) (14 × 14)

(1) Port DL register (PDL)

After reset: 0000H (output latch) R/W Address: PDL FFFF004H,  
PDL FFFF004H, PDLH FFFF005H

|       |       |       |       |       |       |      |      |
|-------|-------|-------|-------|-------|-------|------|------|
| 15    | 14    | 13    | 12    | 11    | 10    | 9    | 8    |
| PDL15 | PDL14 | PDL13 | PDL12 | PDL11 | PDL10 | PDL9 | PDL8 |

|      |      |      |      |      |      |      |      |
|------|------|------|------|------|------|------|------|
| 7    | 6    | 5    | 4    | 3    | 2    | 1    | 0    |
| PDL7 | PDL6 | PDL5 | PDL4 | PDL3 | PDL2 | PDL1 | PDL0 |

|      |                                                    |
|------|----------------------------------------------------|
| PDLn | Output data control (in output mode) (n = 0 to 15) |
| 0    | Outputs 0                                          |
| 1    | Outputs 1                                          |

**Remarks**

1. The PDL register can be read or written in 16-bit units.  
However, when using the higher 8 bits of the PDL register as the PDLH register and the lower 8 bits as the PDLL register, PDL can be read or written in 8-bit or 1-bit units.
2. To read/write bits 8 to 15 of the PDL register in 8-bit or 1-bit units, specify them as bits 0 to 7 of the PDLH register.

(2) Port DL mode register (PMDL)

After reset: FFFFH R/W Address: PMDL FFFF024H,  
PMDL FFFF024H, PMDLH FFFF025H

|        |        |        |        |        |        |       |       |
|--------|--------|--------|--------|--------|--------|-------|-------|
| 15     | 14     | 13     | 12     | 11     | 10     | 9     | 8     |
| PMDL15 | PMDL14 | PMDL13 | PMDL12 | PMDL11 | PMDL10 | PMDL9 | PMDL8 |

|       |       |       |       |       |       |       |       |
|-------|-------|-------|-------|-------|-------|-------|-------|
| 7     | 6     | 5     | 4     | 3     | 2     | 1     | 0     |
| PMDL7 | PMDL6 | PMDL5 | PMDL4 | PMDL3 | PMDL2 | PMDL1 | PMDL0 |

|       |                                |
|-------|--------------------------------|
| PMDLn | I/O mode control (n = 0 to 15) |
| 0     | Output mode                    |
| 1     | Input mode                     |

**Remarks**

1. The PMDL register can be read or written in 16-bit units.  
However, when using the higher 8 bits of the PMDL register as the PMDLH register and the lower 8 bits as the PMDLL register, PMDL can be read or written in 8-bit or 1-bit units.
2. To read/write bits 8 to 15 of the PMDL register in 8-bit or 1-bit units, specify them as bits 0 to 7 of the PMDLH register.

(3) Port DL mode control register (PMCDL)

After reset: 0000H R/W Address: PMCDL FFFFF044H,  
 PMCDLL FFFFF044H, PMCDLH FFFFF045H

|                |         |         |         |         |         |         |        |        |
|----------------|---------|---------|---------|---------|---------|---------|--------|--------|
|                | 15      | 14      | 13      | 12      | 11      | 10      | 9      | 8      |
| PMCDL (PMCDLH) | PMCDL15 | PMCDL14 | PMCDL13 | PMCDL12 | PMCDL11 | PMCDL10 | PMCDL9 | PMCDL8 |
|                | 7       | 6       | 5       | 4       | 3       | 2       | 1      | 0      |
| (PMCDLL)       | PMCDL7  | PMCDL6  | PMCDL5  | PMCDL4  | PMCDL3  | PMCDL2  | PMCDL1 | PMCDL0 |

|        |                                                        |
|--------|--------------------------------------------------------|
| PMCDLn | Specification of PDLn pin operation mode (n = 0 to 15) |
| 0      | I/O port                                               |
| 1      | ADn I/O (address/data bus I/O)                         |

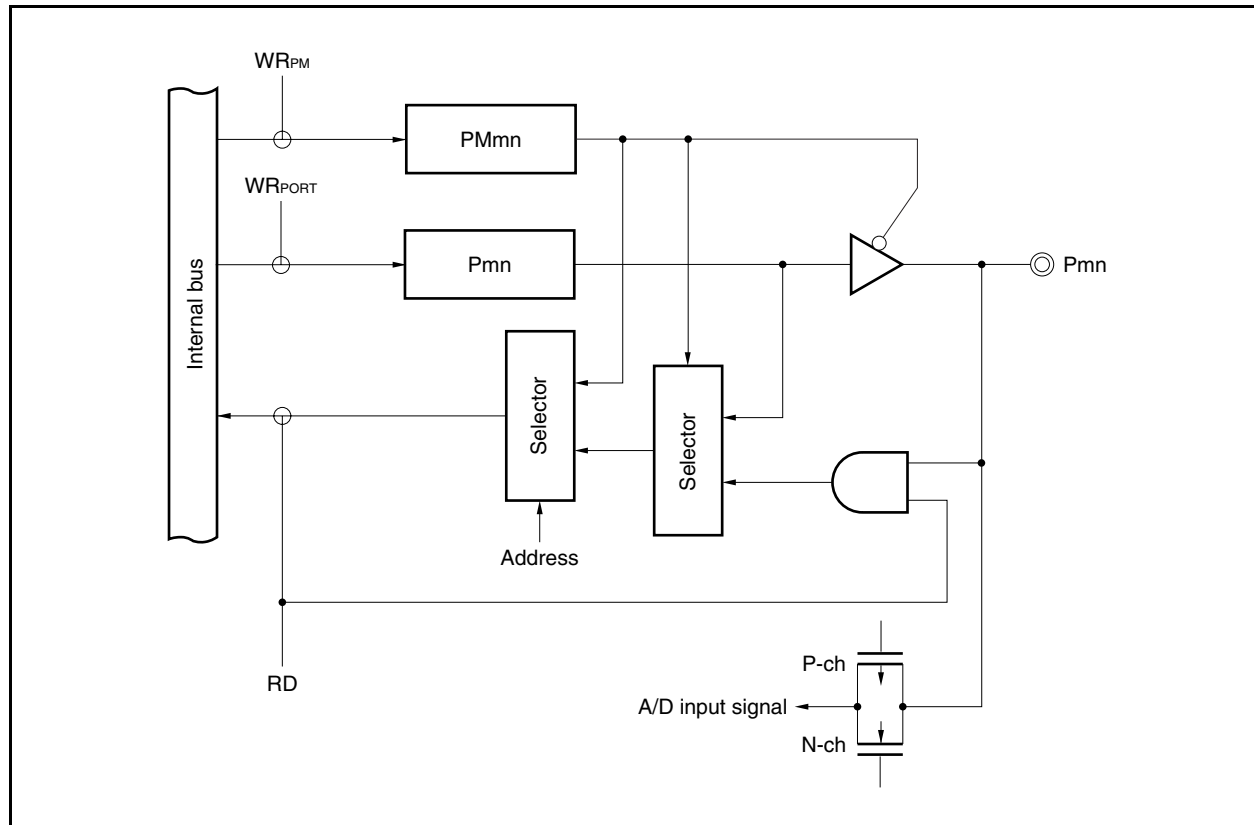
**Caution** When the SMSEL bit of the EXIMC register = 1 (separate mode) and the BS30 to BS00 bits of the BSC register = 0 (8-bit bus width), do not specify the AD8 to AD15 pins.

**Remarks**

1. The PMCDL register can be read or written in 16-bit units.  
 However, when using the higher 8 bits of the PMCDL register as the PMCDLH register and the lower 8 bits as the PMCDLL register, PMCDL can be read or written in 8-bit or 1-bit units.
2. To read/write bits 8 to 15 of the PMCDL register in 8-bit or 1-bit units, specify them as bits 0 to 7 of the PMCDLH register.

4.4 Block Diagrams

Figure 4-3. Block Diagram of Type A-1



<R>

Figure 4-4. Block Diagram of Type A-2

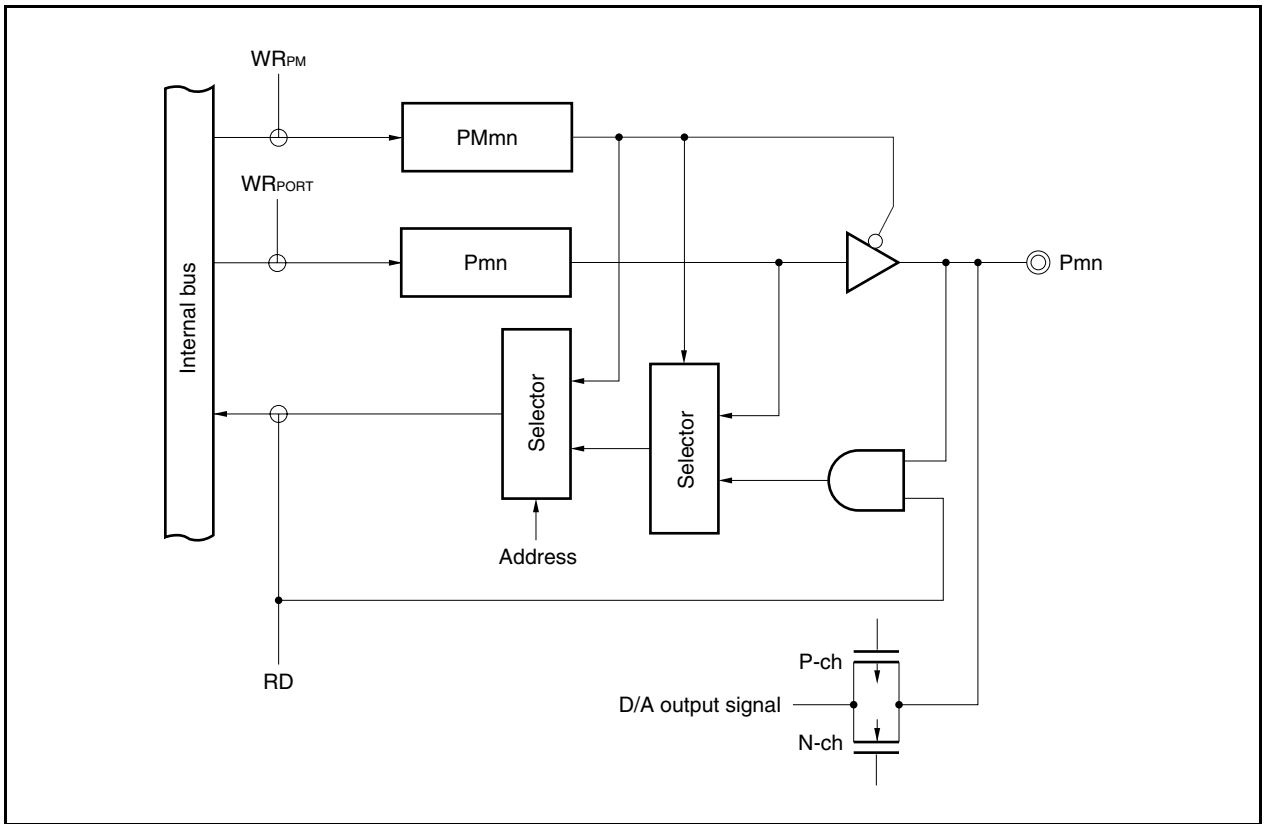


Figure 4-5. Block Diagram of Type B-1

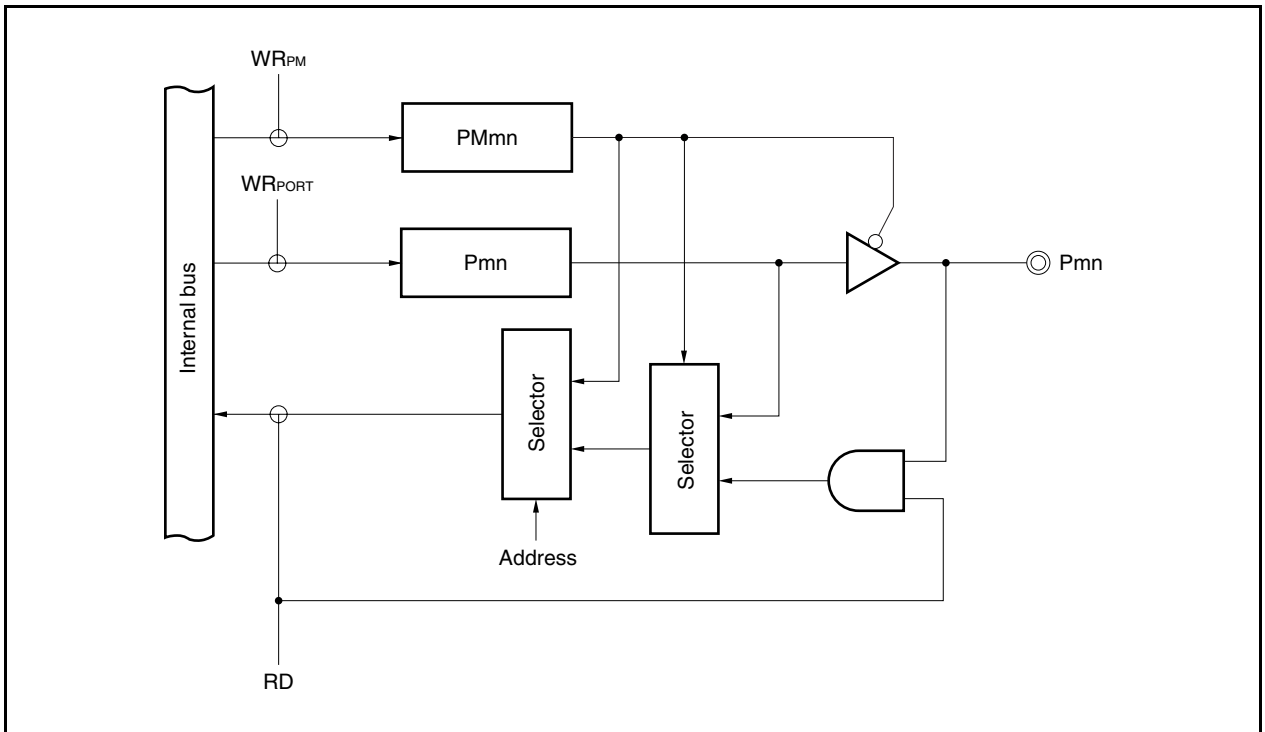


Figure 4-6. Block Diagram of Type D-1

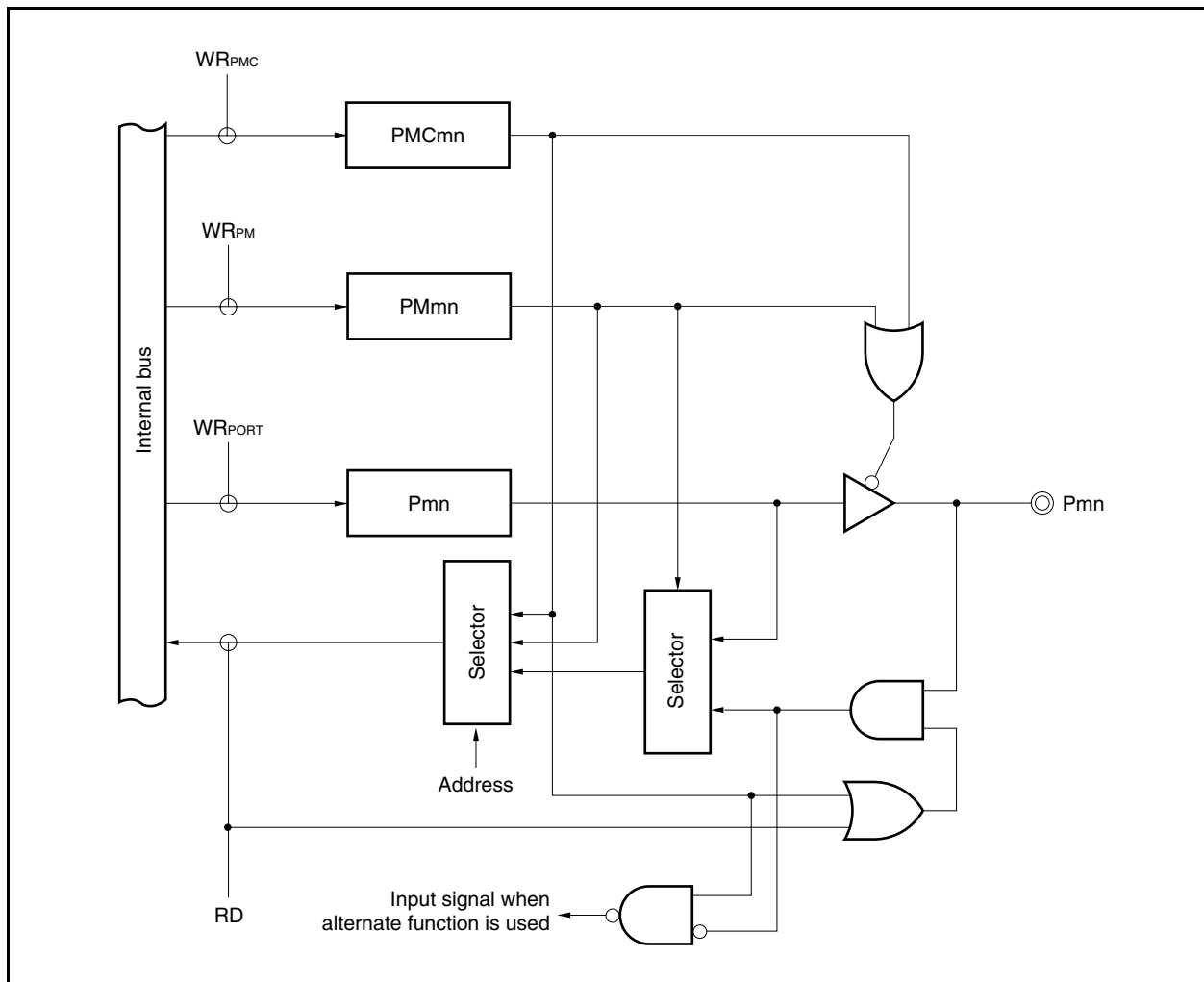




Figure 4-7. Block Diagram of Type D-2

<R>

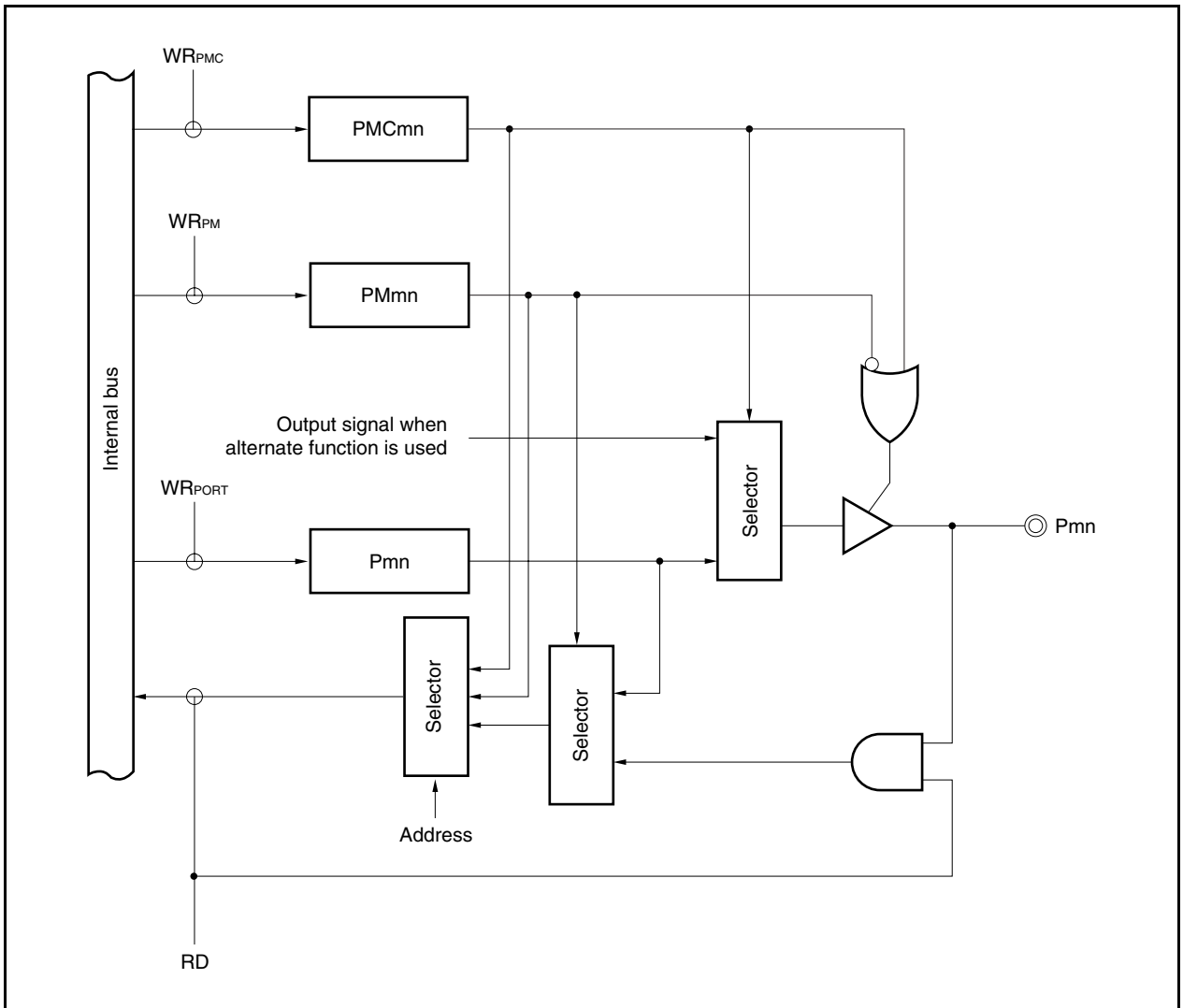


Figure 4-8. Block Diagram of Type D-3

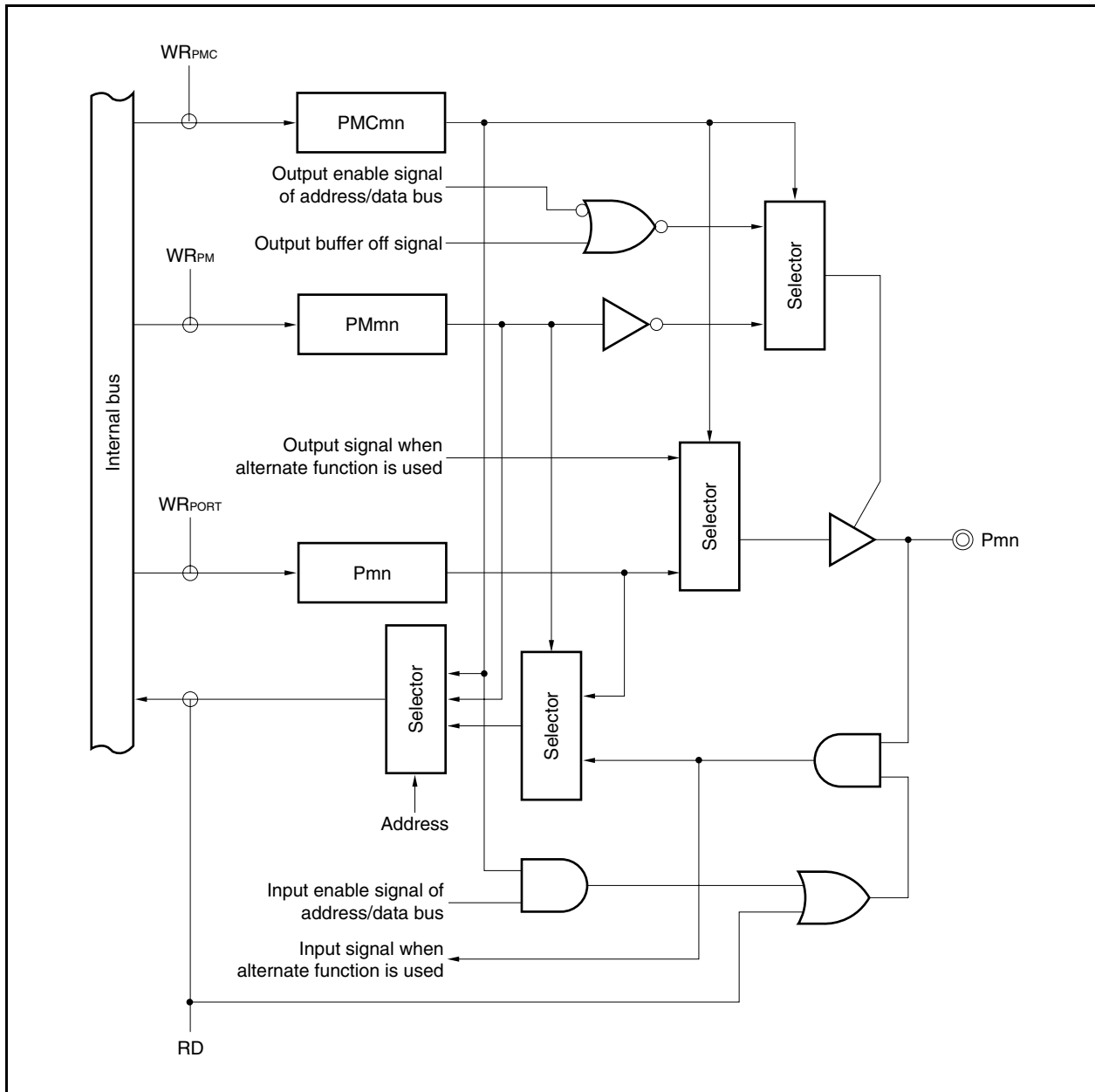
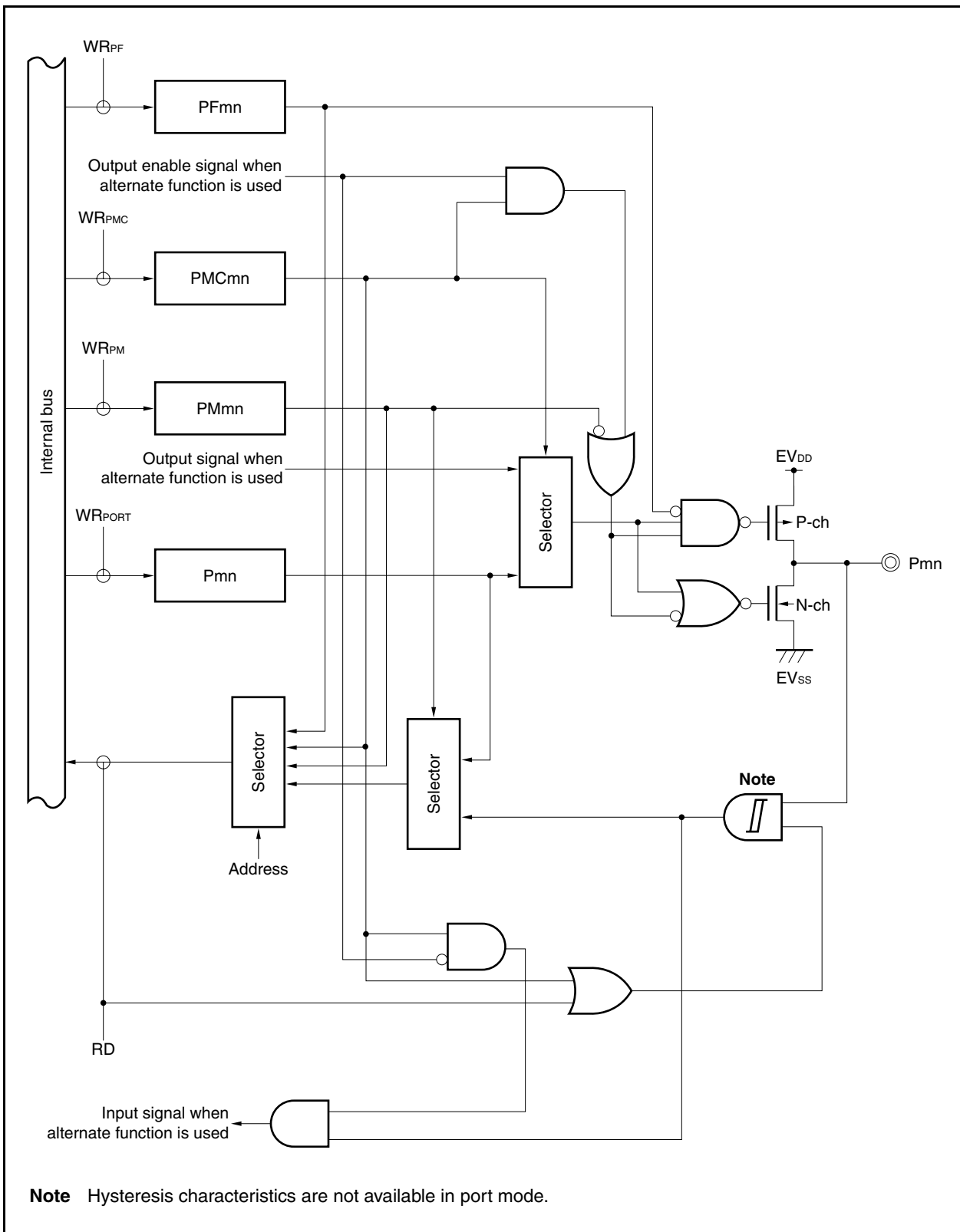


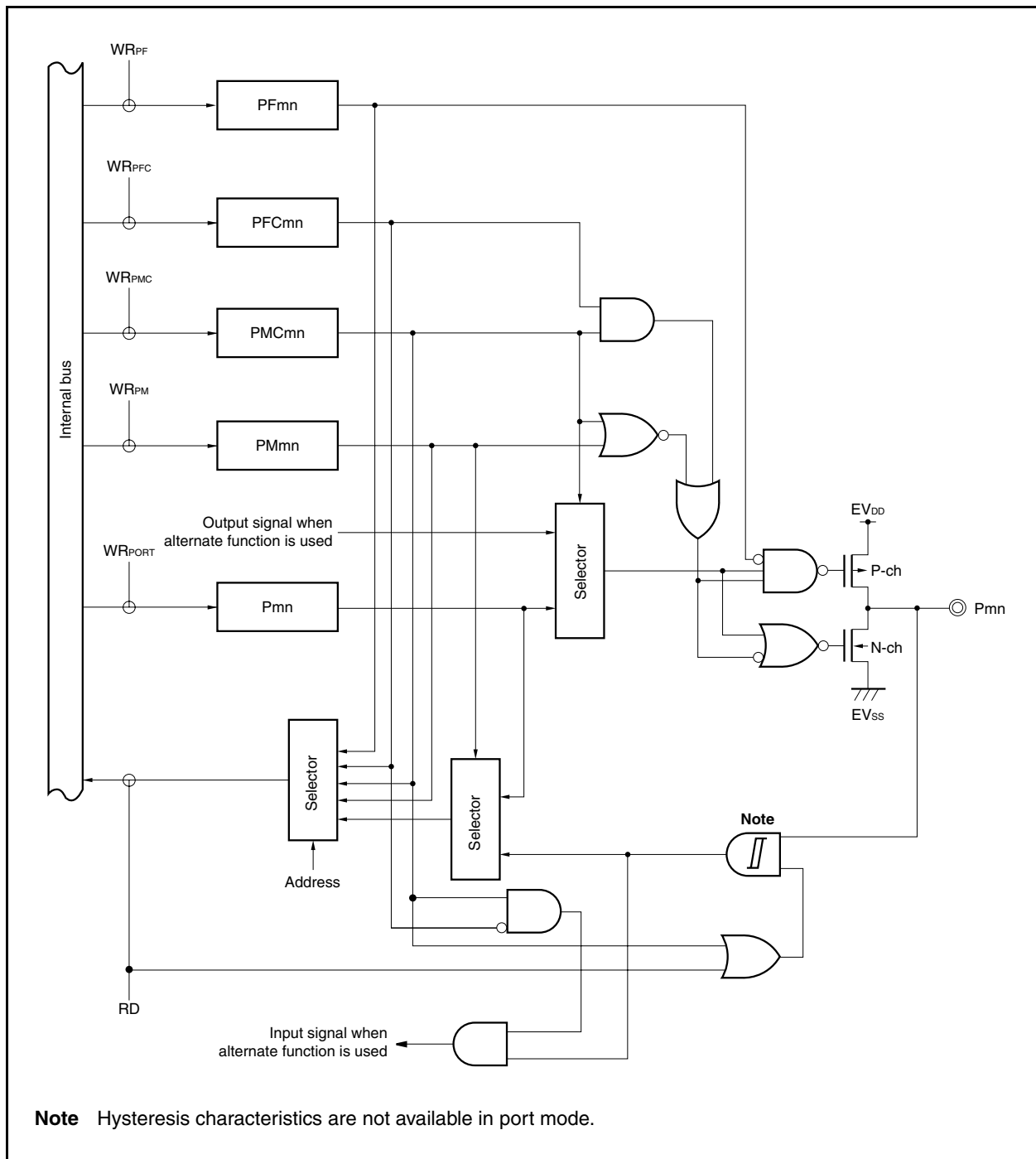
Figure 4-9. Block Diagram of Type E-3



<R>

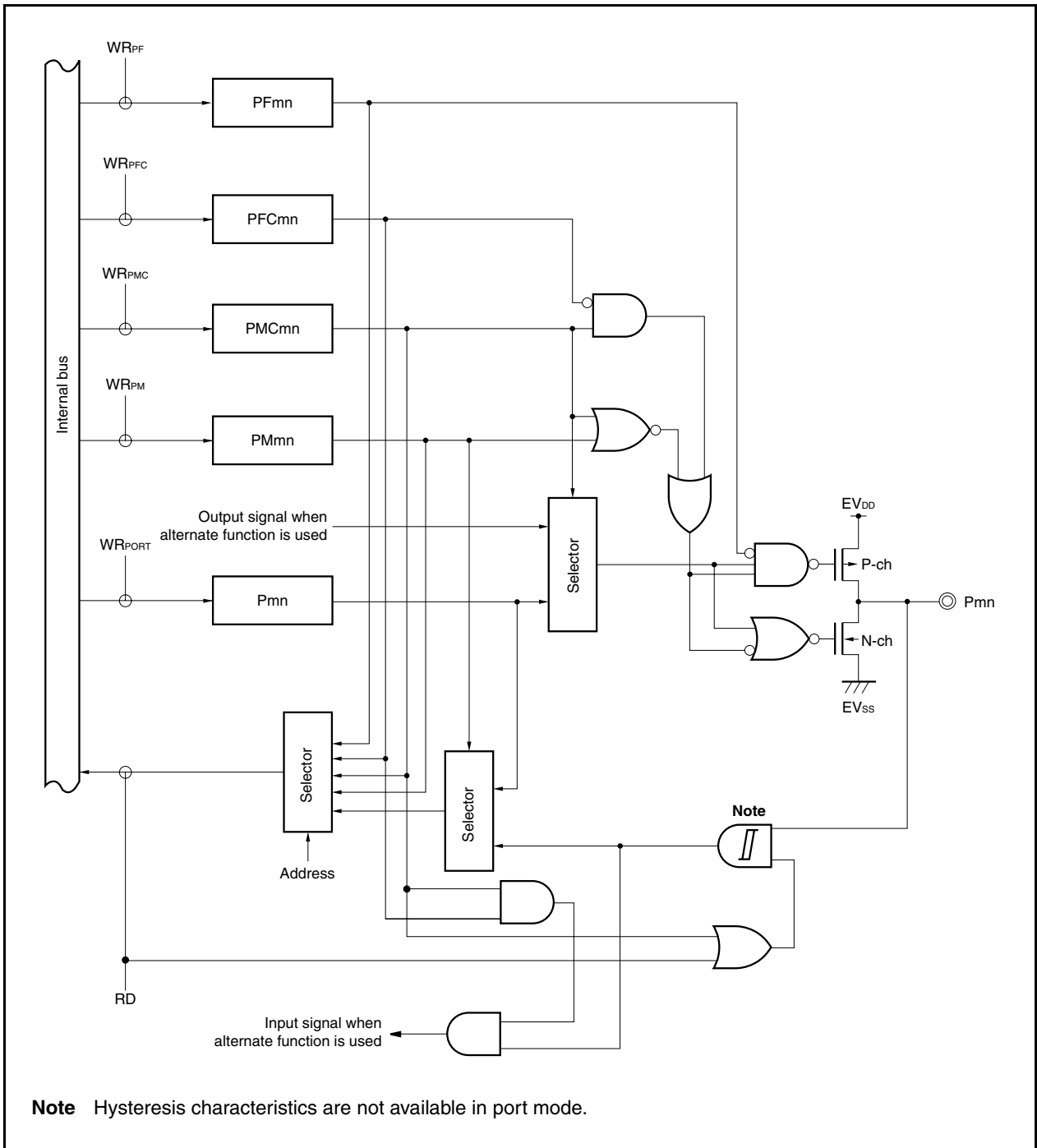
<R>

Figure 4-10. Block Diagram of Type G-1



**Note** Hysteresis characteristics are not available in port mode.

Figure 4-11. Block Diagram of Type G-2



<R>

Figure 4-12. Block Diagram of Type G-3

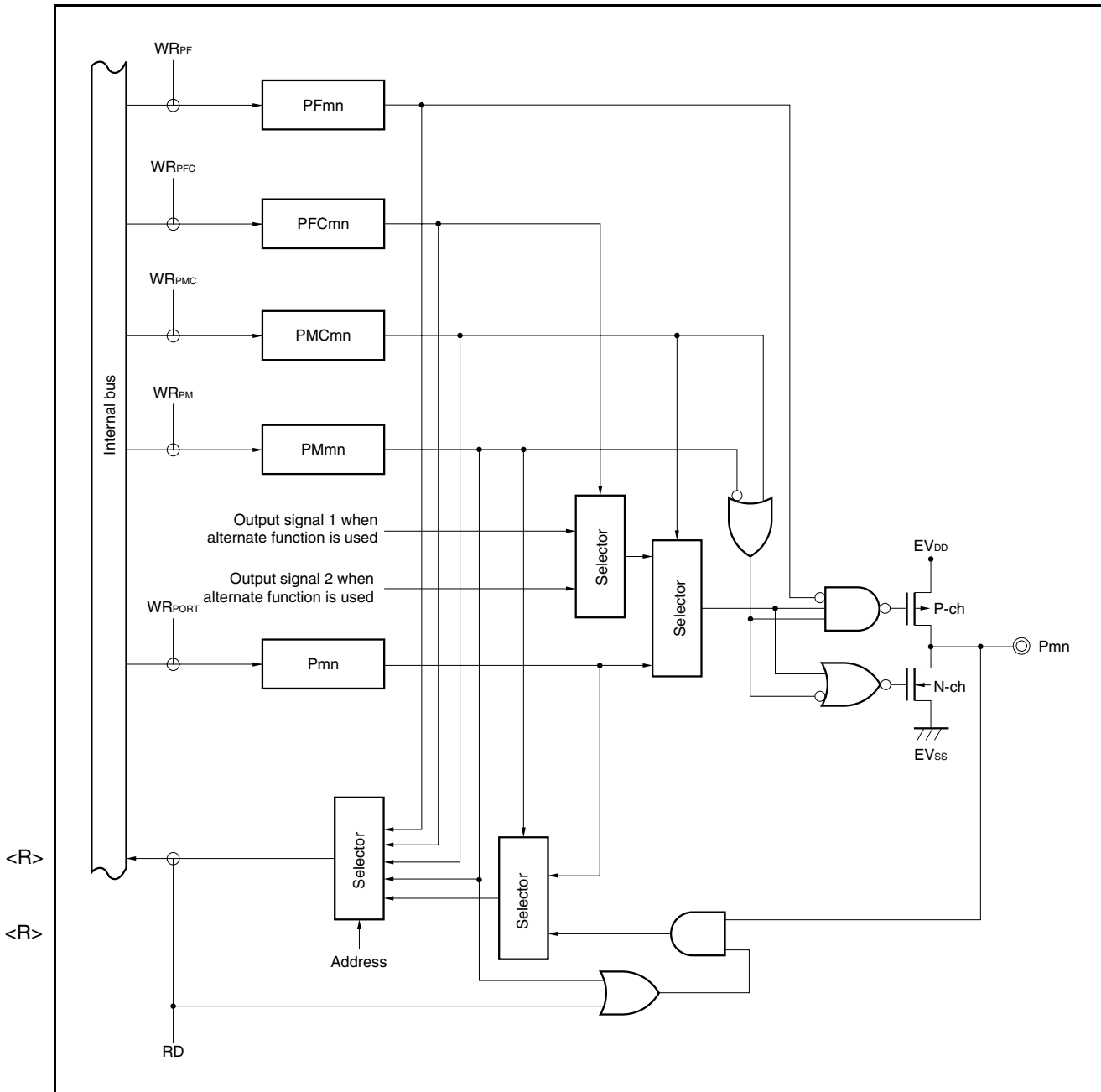
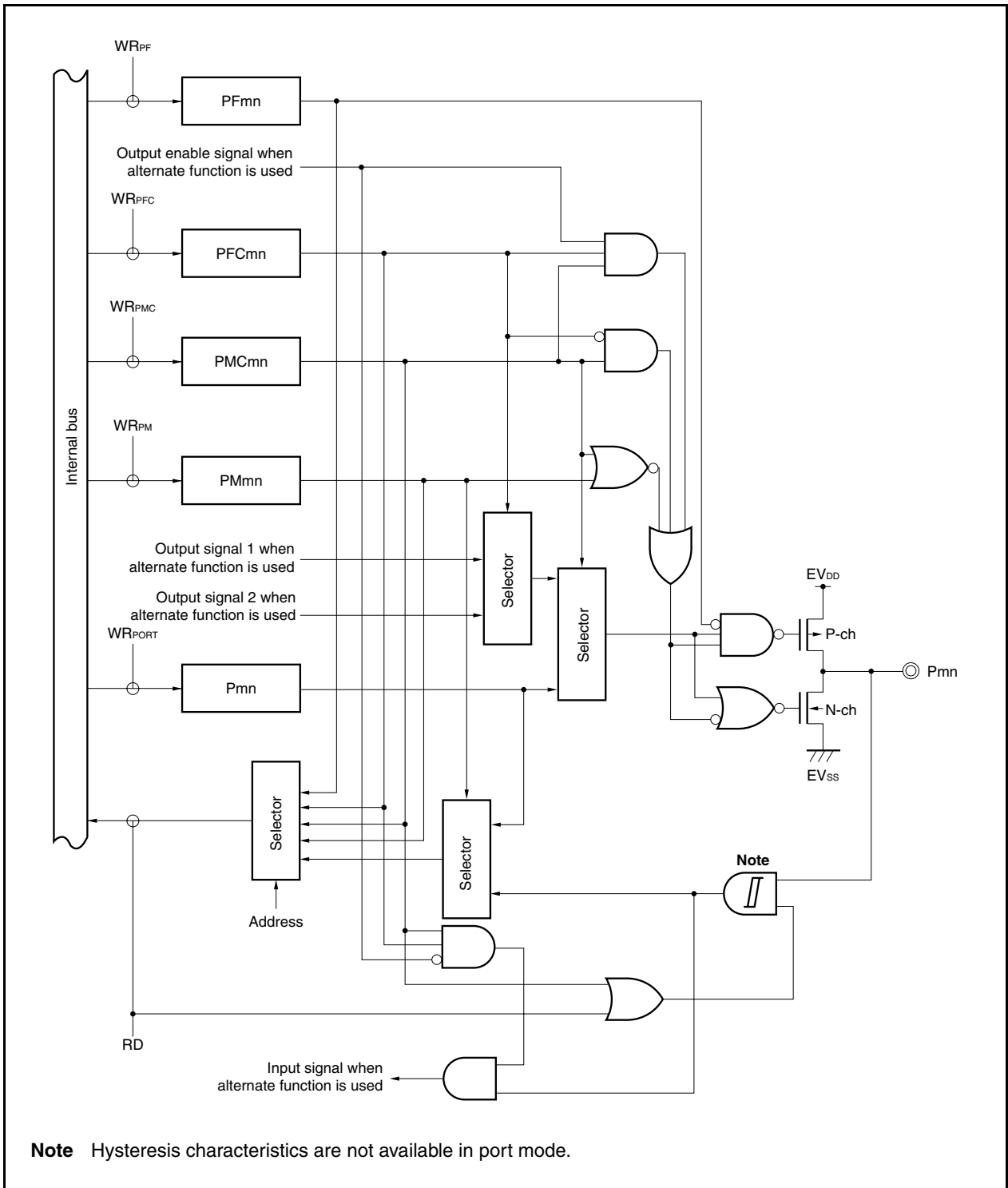


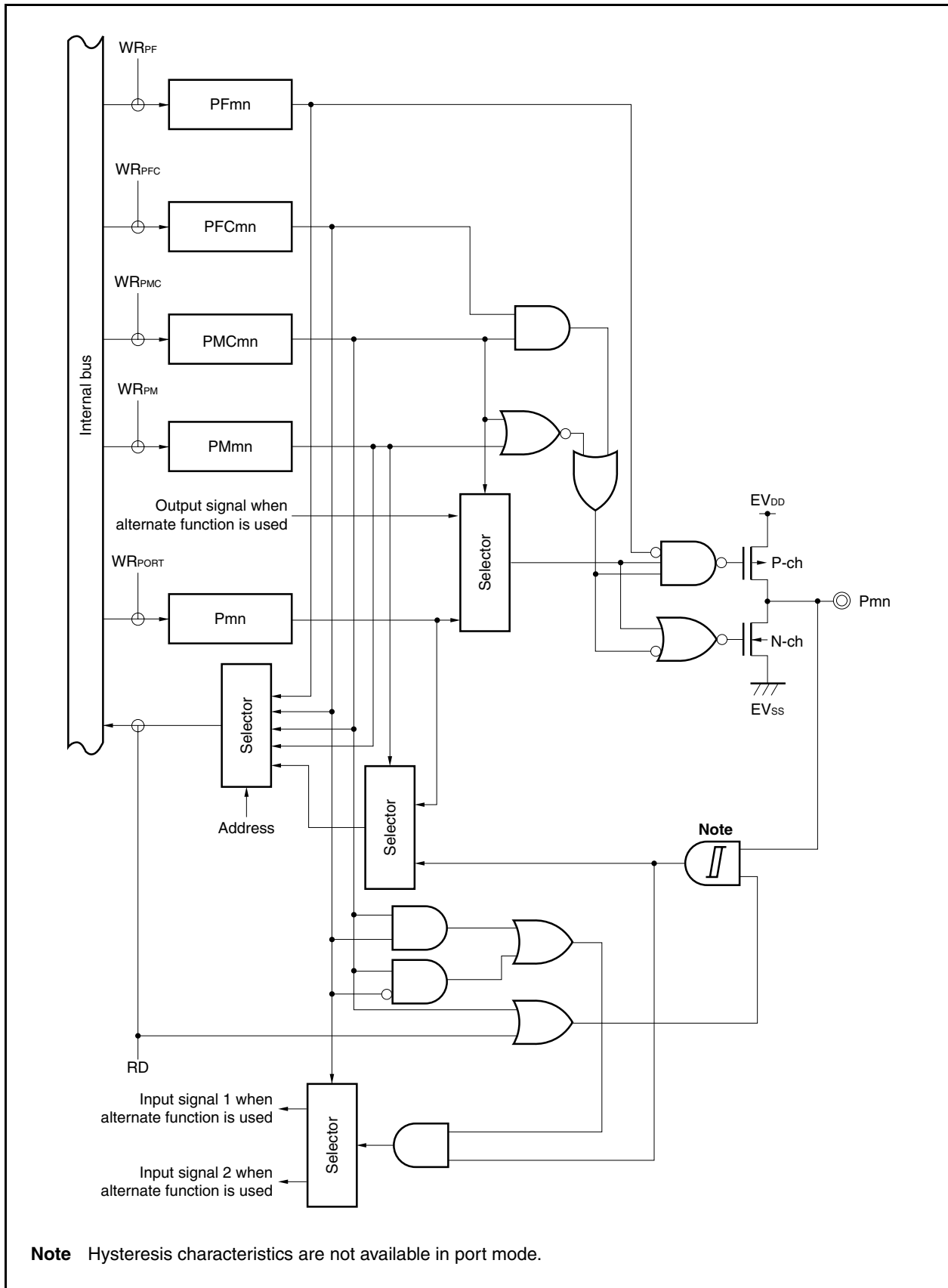
Figure 4-13. Block Diagram of Type G-5



<R>

**Note** Hysteresis characteristics are not available in port mode.

Figure 4-14. Block Diagram of Type G-6

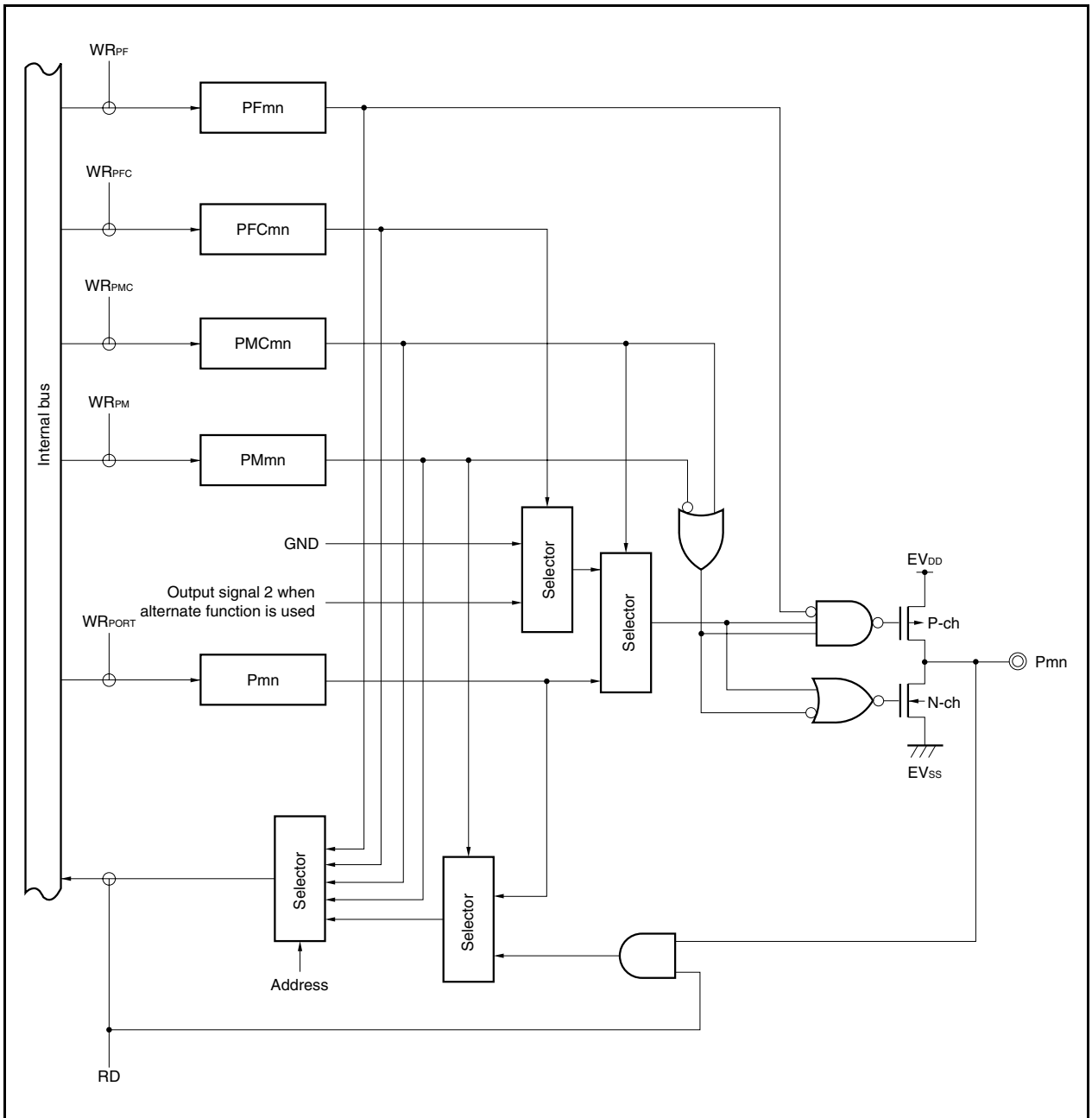


**Note** Hysteresis characteristics are not available in port mode.

<R>



Figure 4-15. Block Diagram of Type G-7



<R>

Figure 4-16. Block Diagram of Type G-8

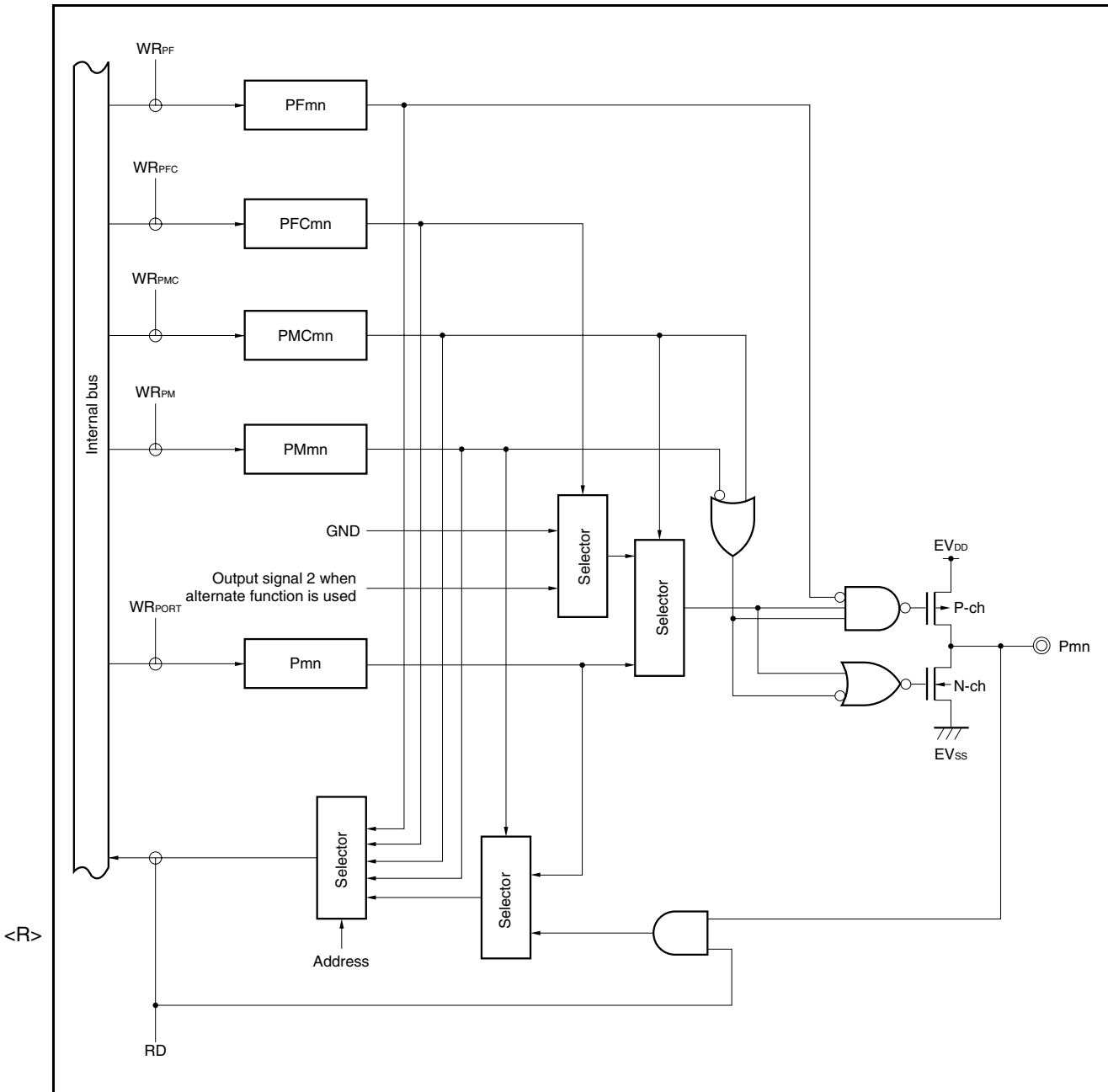


Figure 4-17. Block Diagram of Type G-9

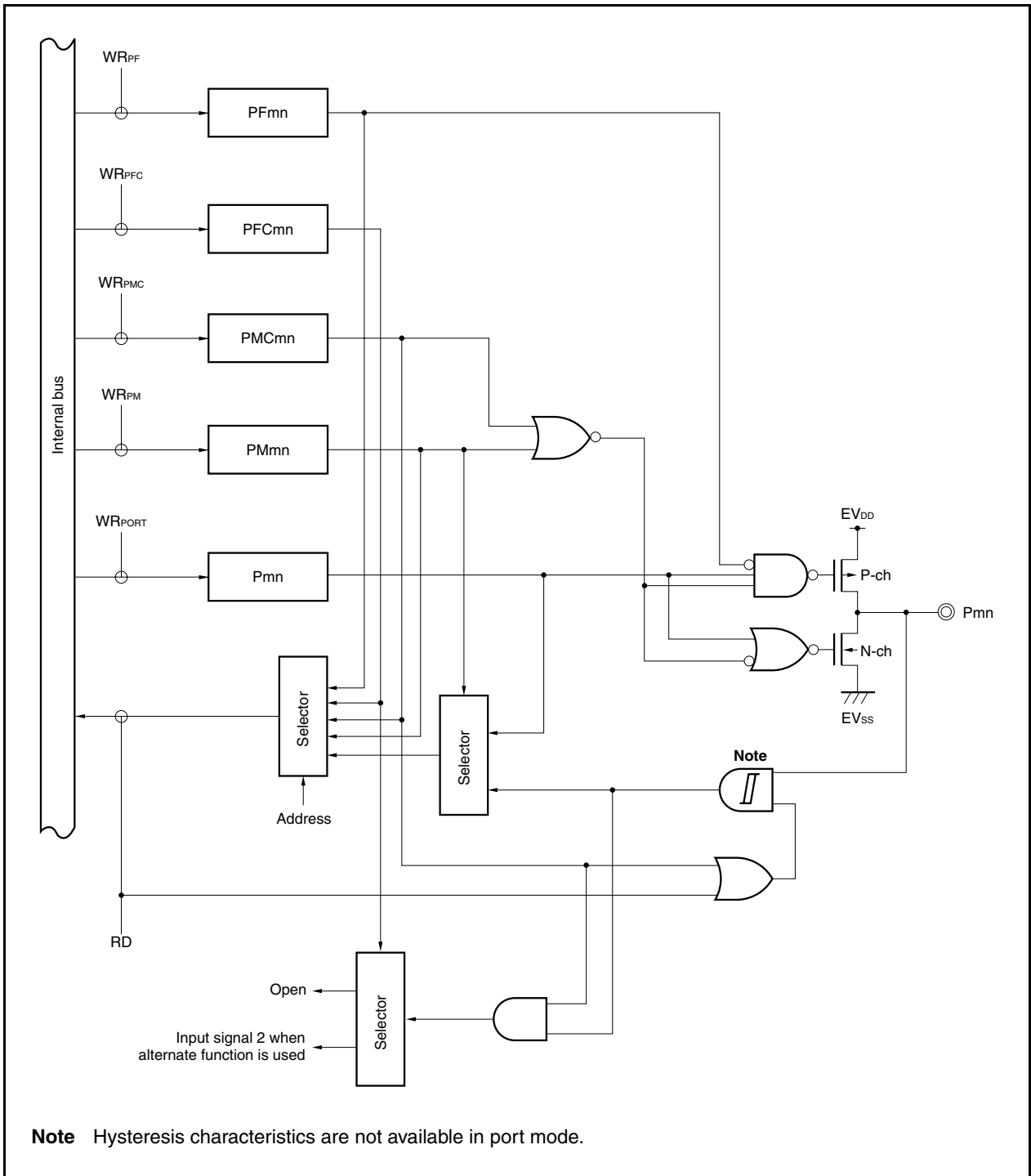
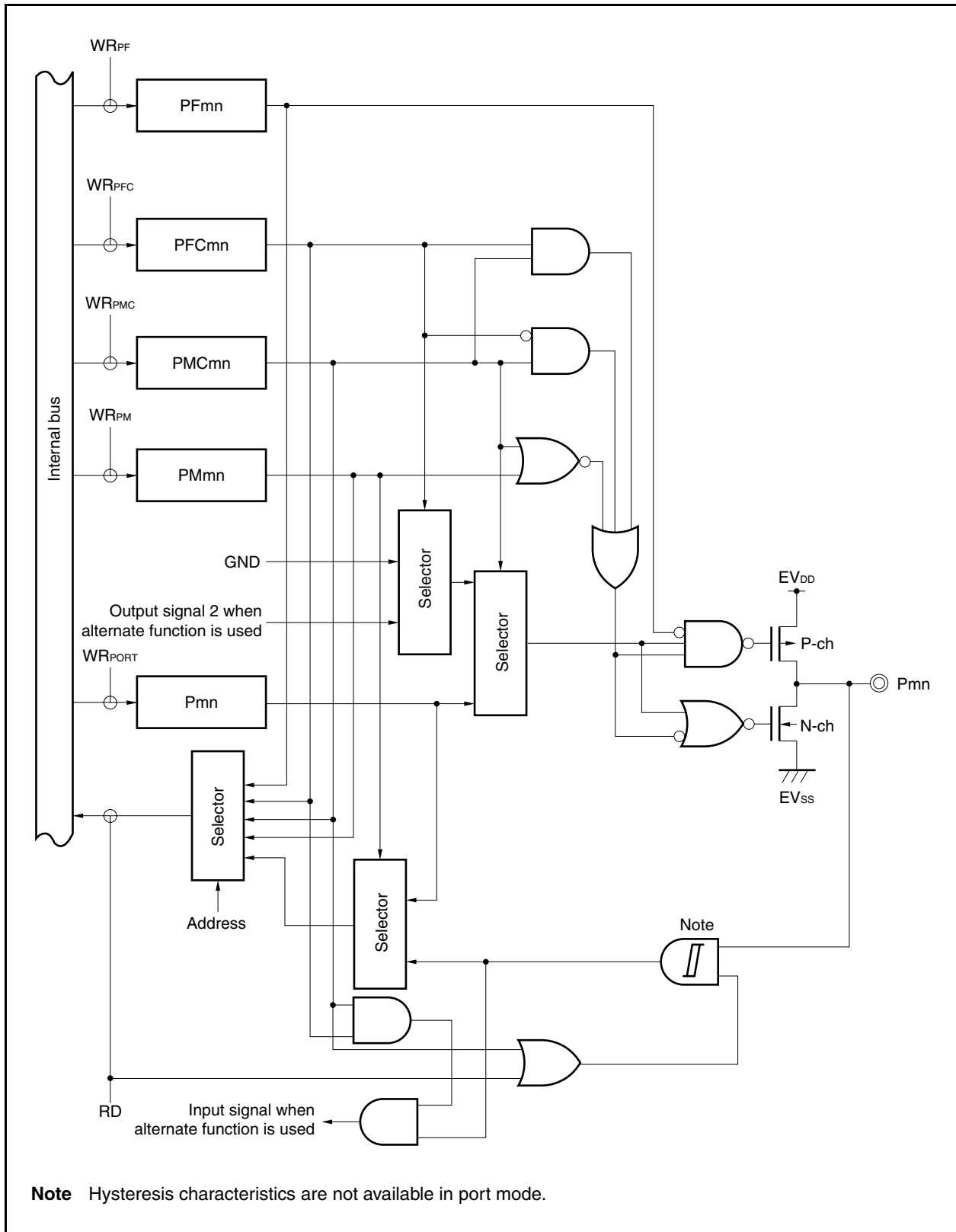


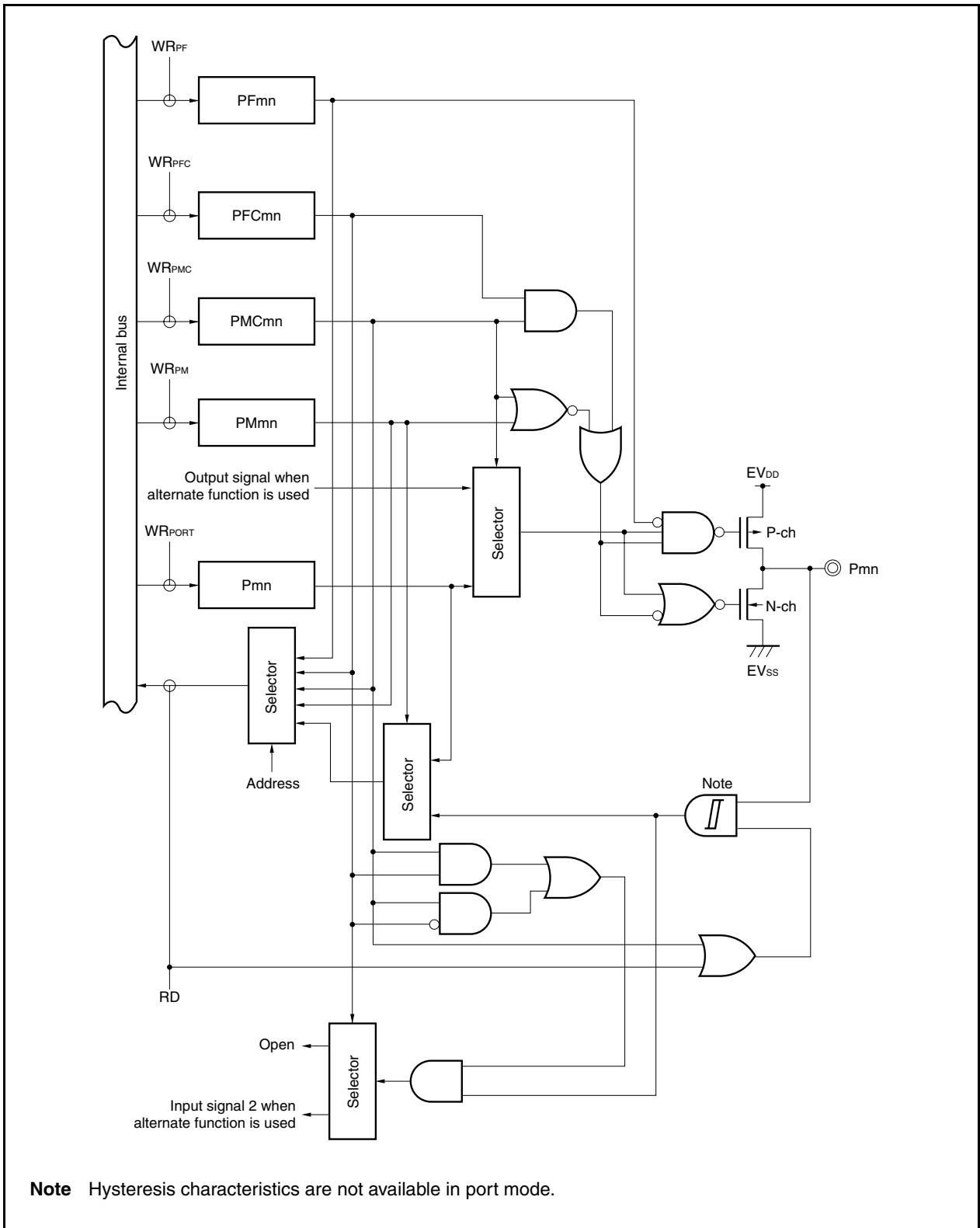
Figure 4-18. Block Diagram of Type G-10



**Note** Hysteresis characteristics are not available in port mode.

<R>

Figure 4-19. Block Diagram of Type G-11

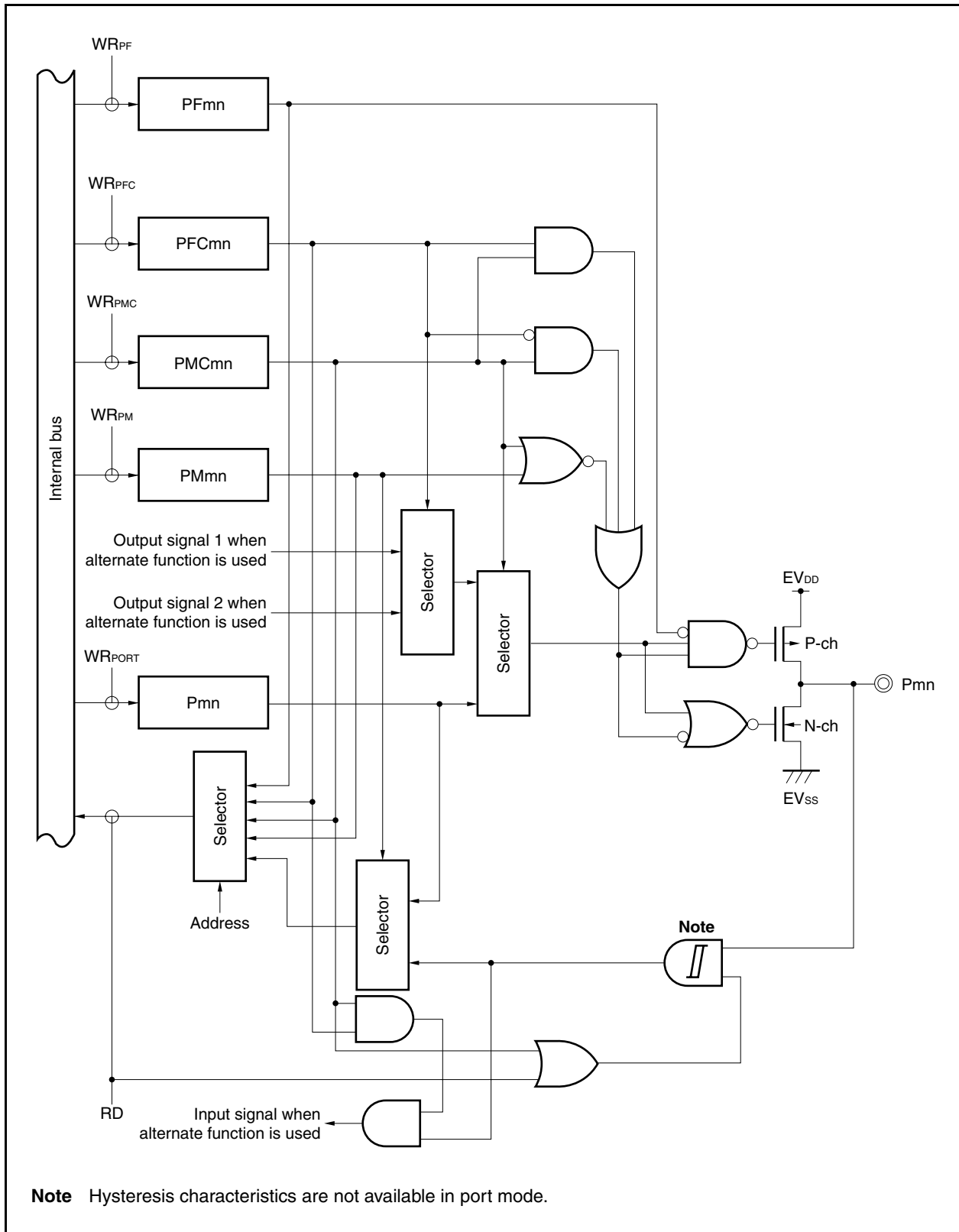


**Note** Hysteresis characteristics are not available in port mode.

<R>

<R>

Figure 4-20. Block Diagram of Type G-12



<R>

Figure 4-21. Block Diagram of Type G-14

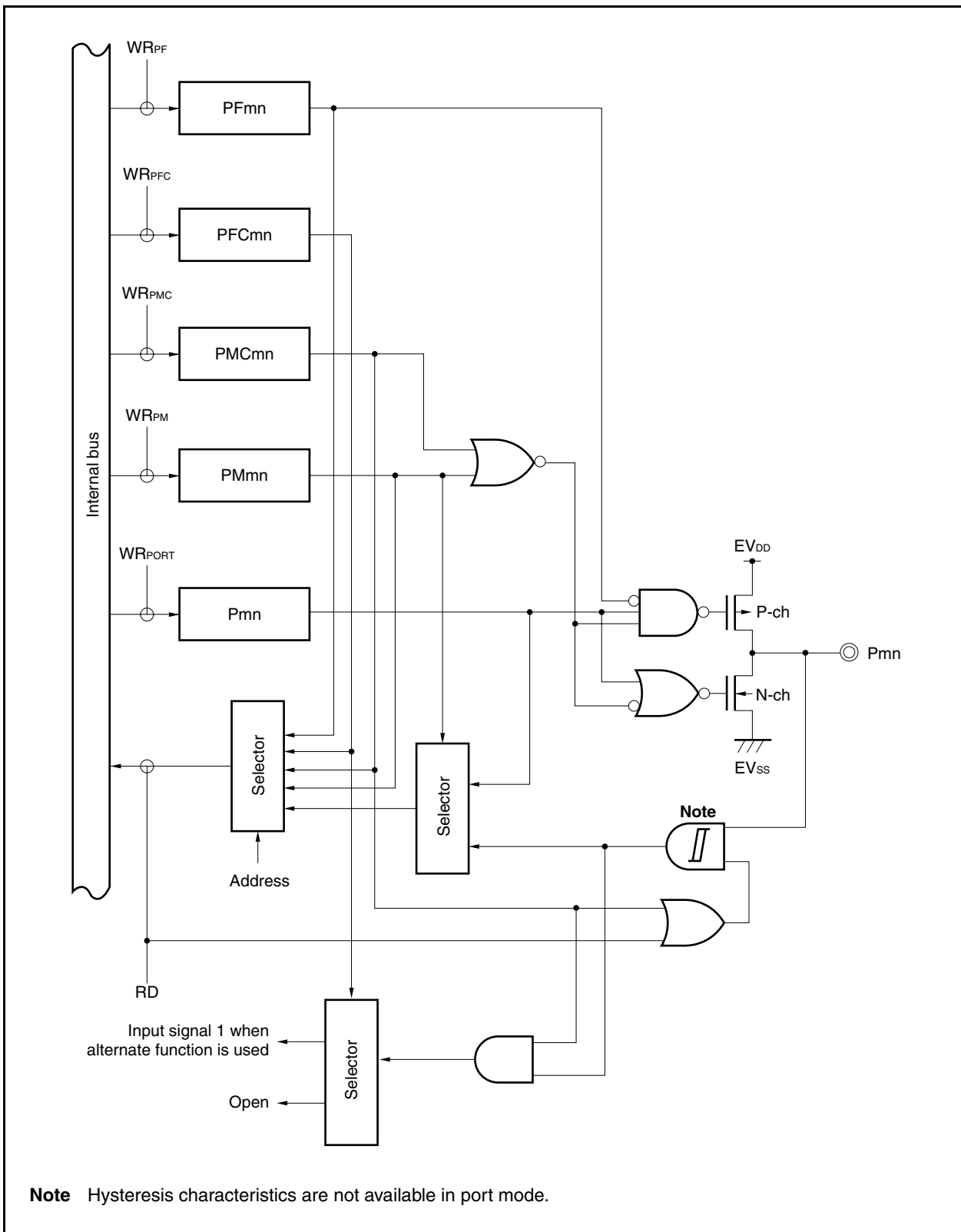


Figure 4-22. Block Diagram of Type L-1

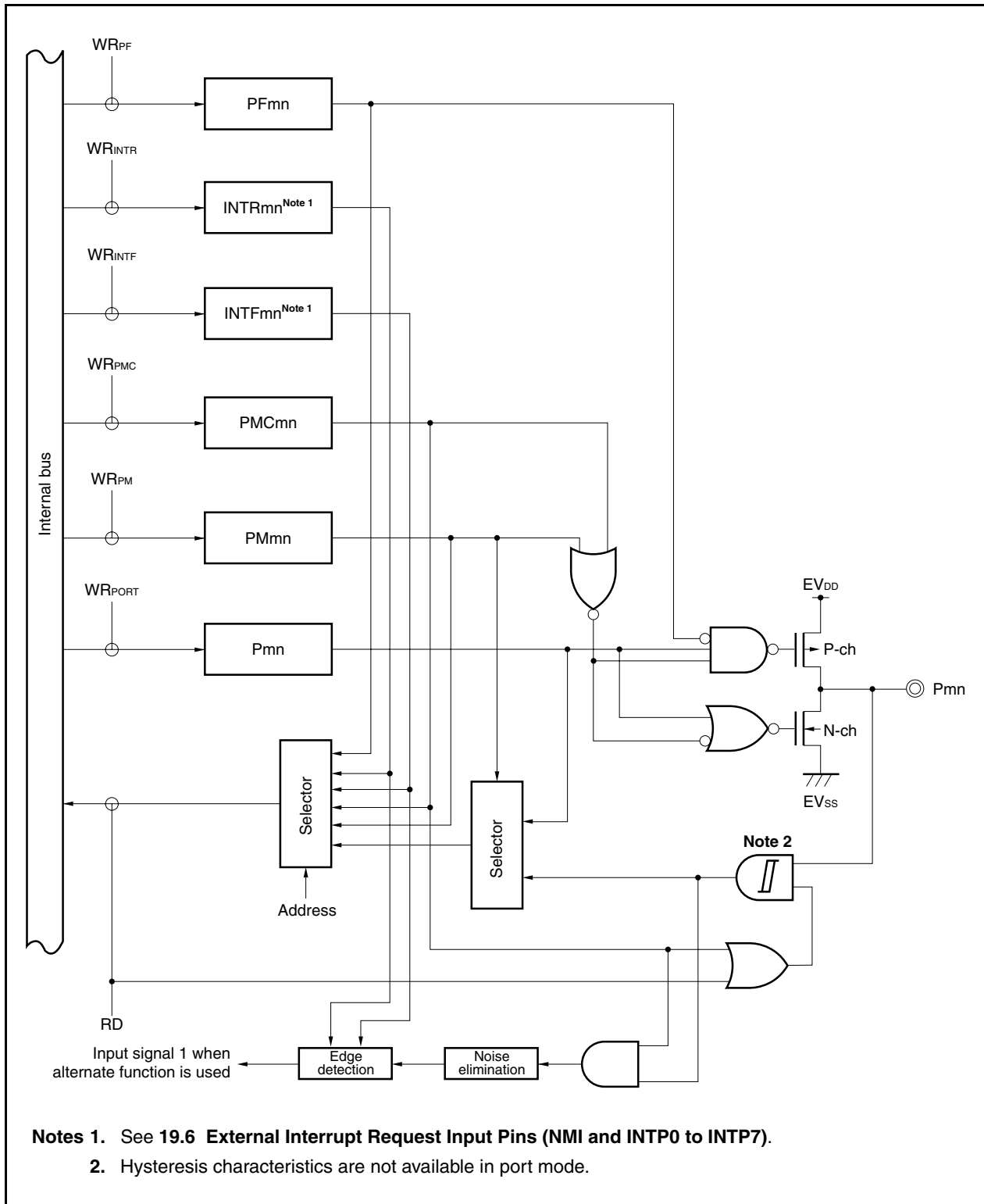
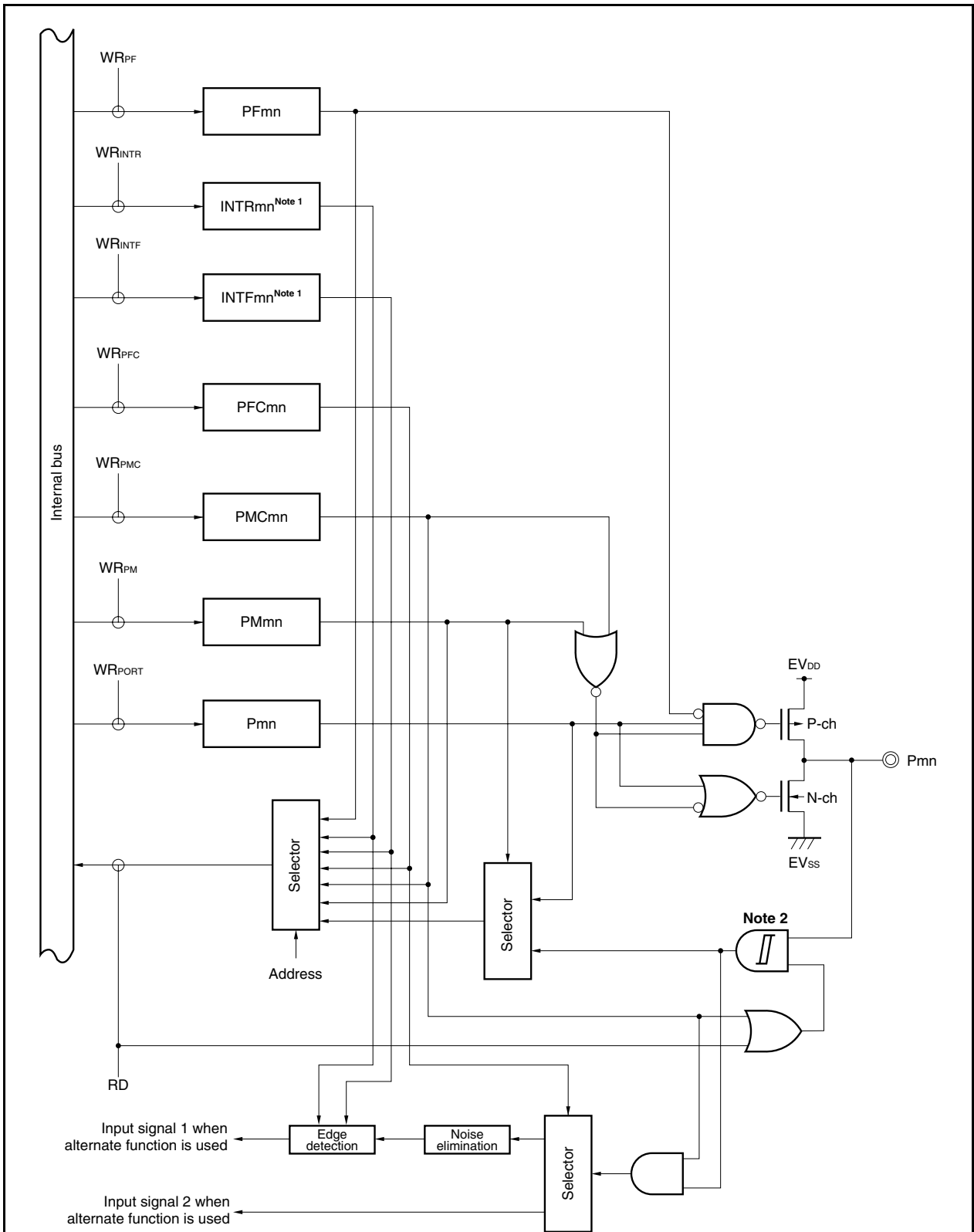




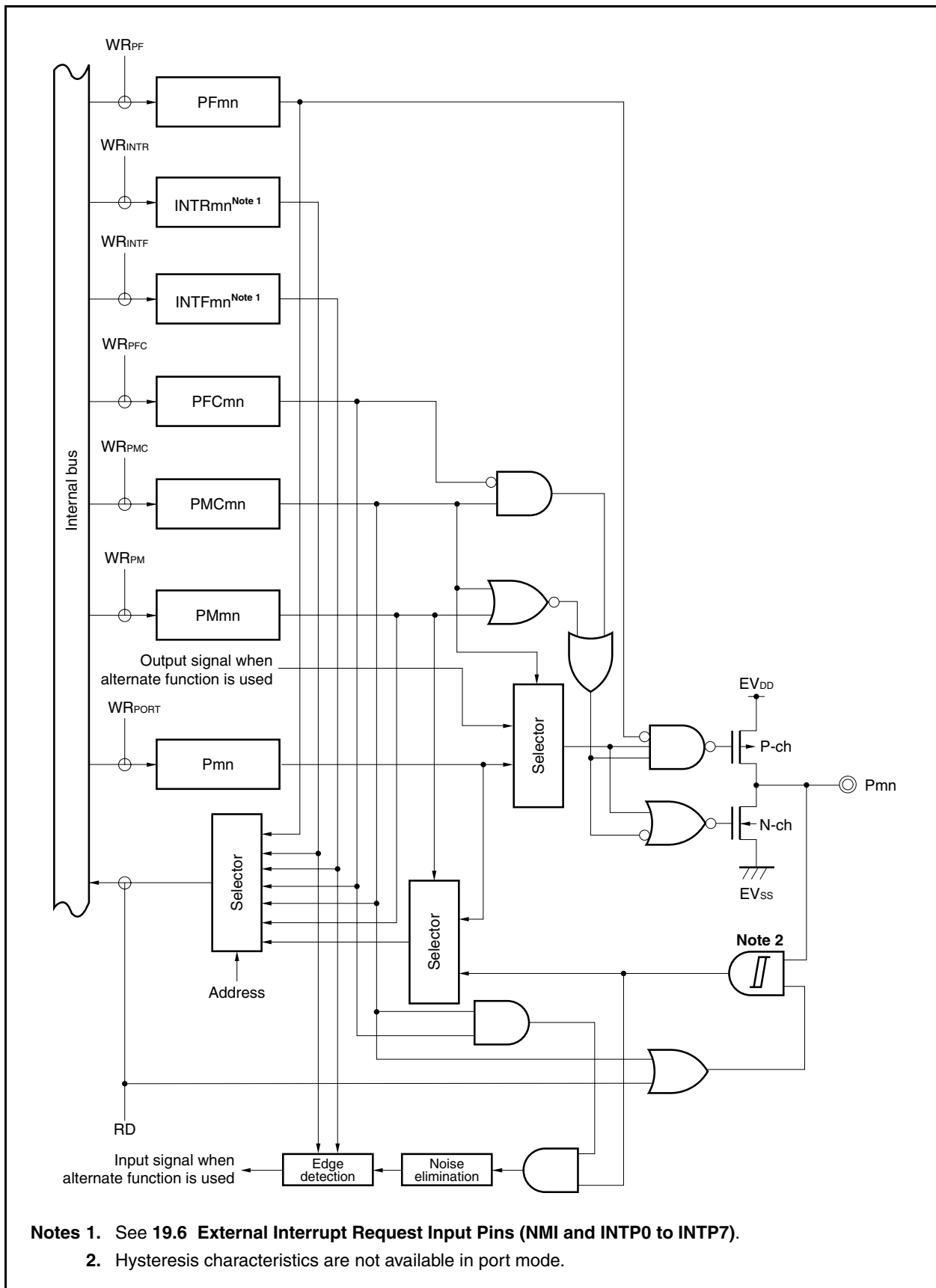
Figure 4-23. Block Diagram of Type N-1



**Notes 1.** See 19.6 External Interrupt Request Input Pins (NMI and INTP0 to INTP7).

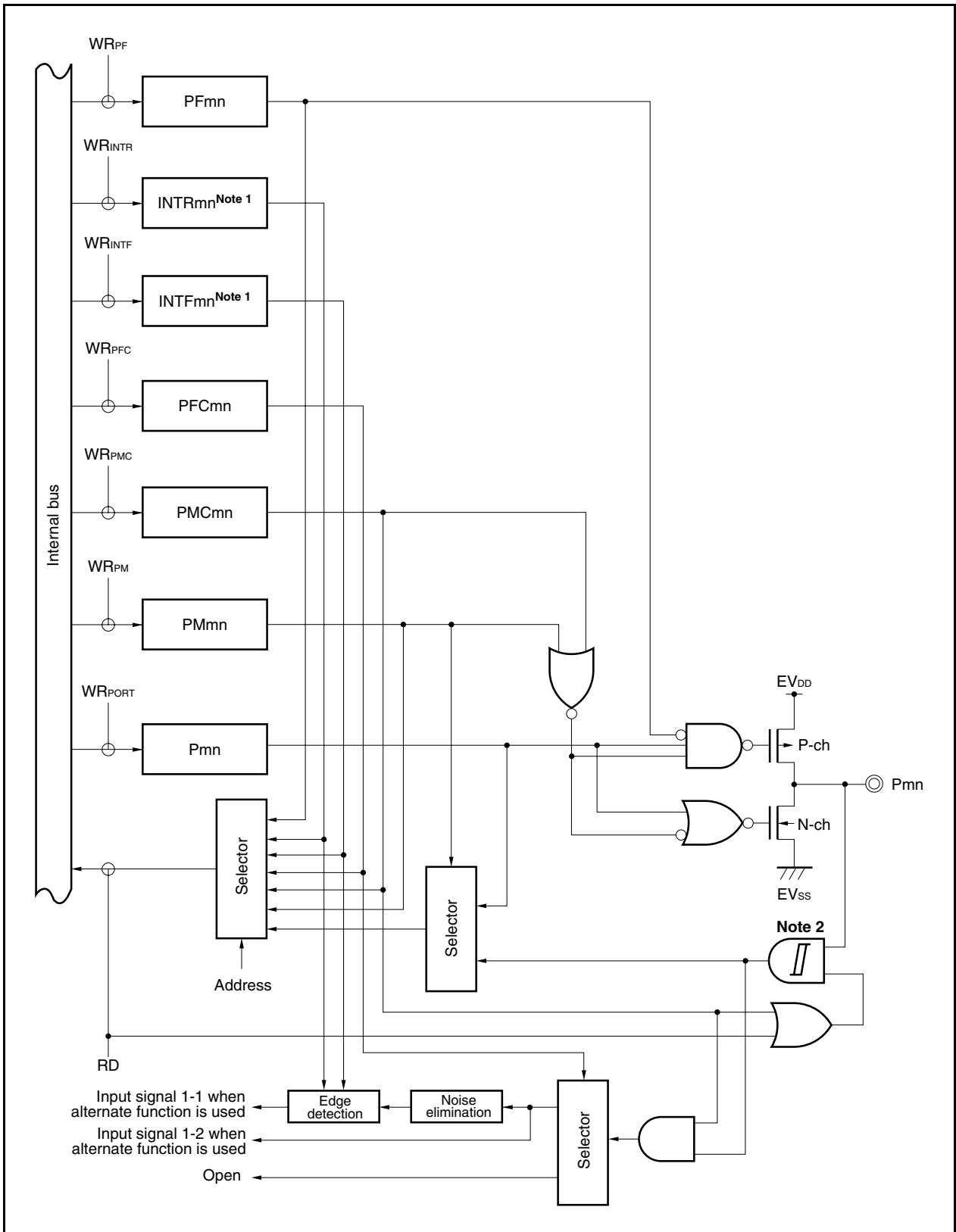
**2.** Hysteresis characteristics are not available in port mode.

Figure 4-24. Block Diagram of Type N-2



<R>

Figure 4-25. Block Diagram of Type N-4



**Notes 1.** See 19.6 External Interrupt Request Input Pins (NMI and INTP0 to INTP7).

**2.** Hysteresis characteristics are not available in port mode.

Figure 4-26. Block Diagram of Type U-12

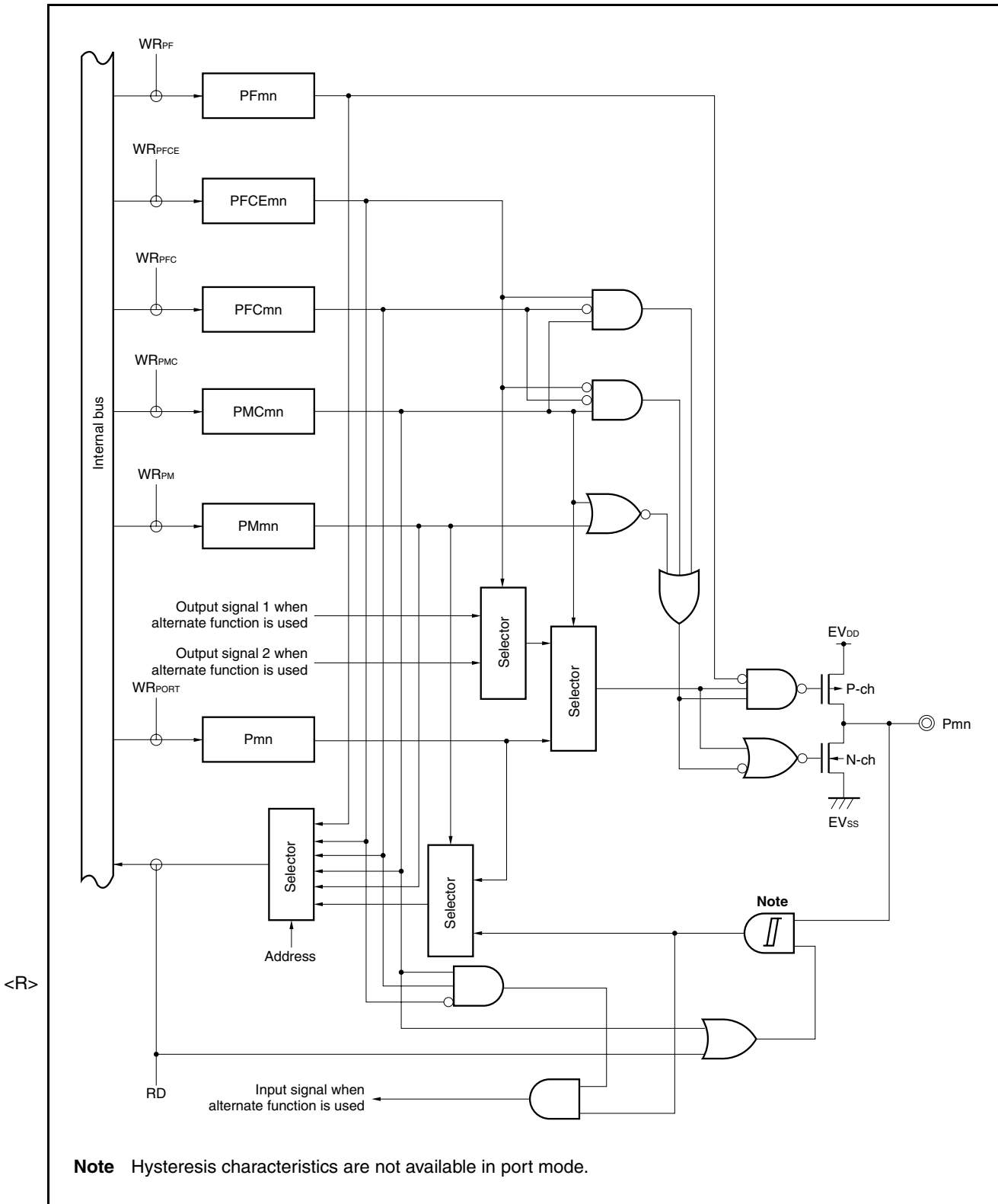
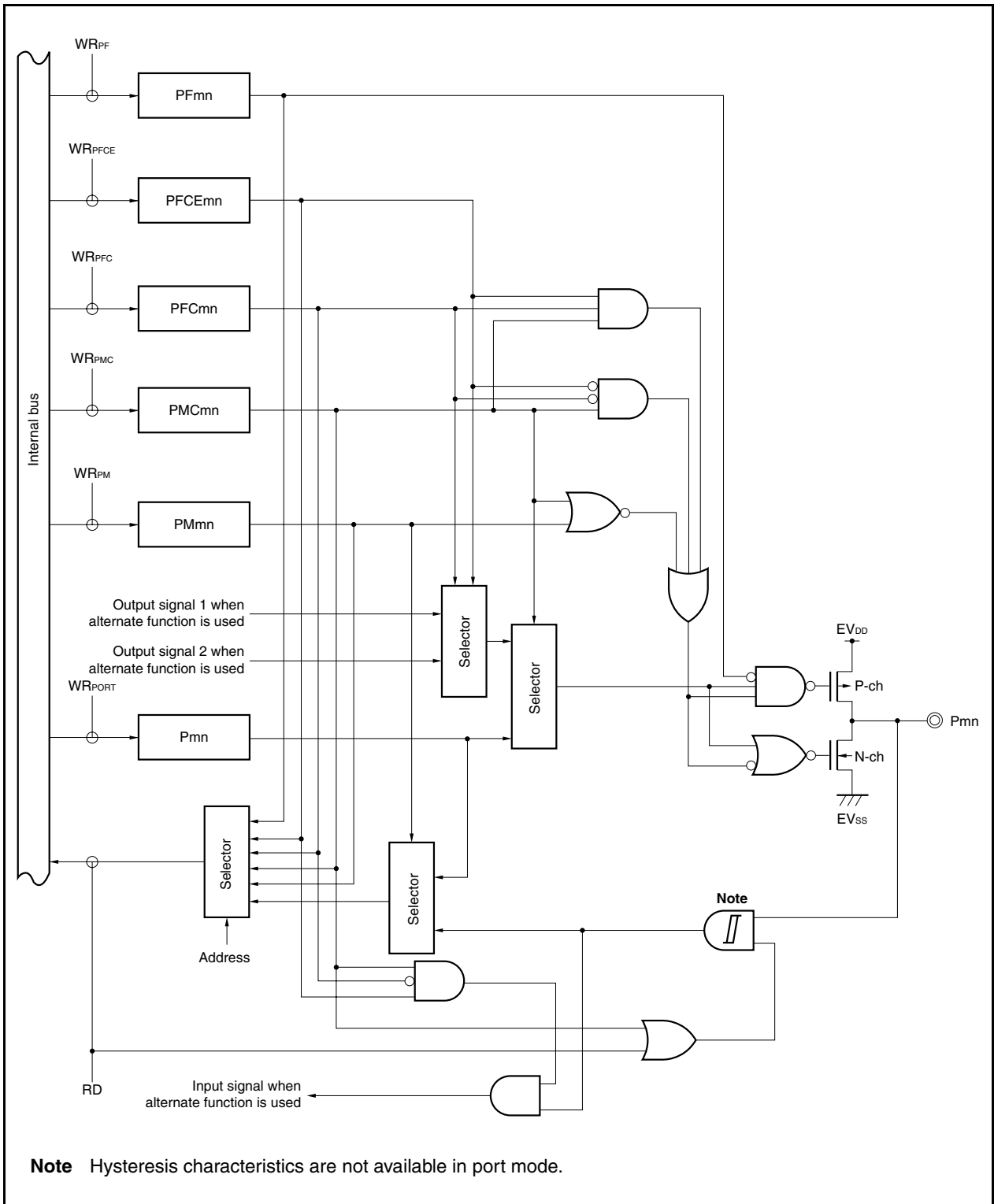


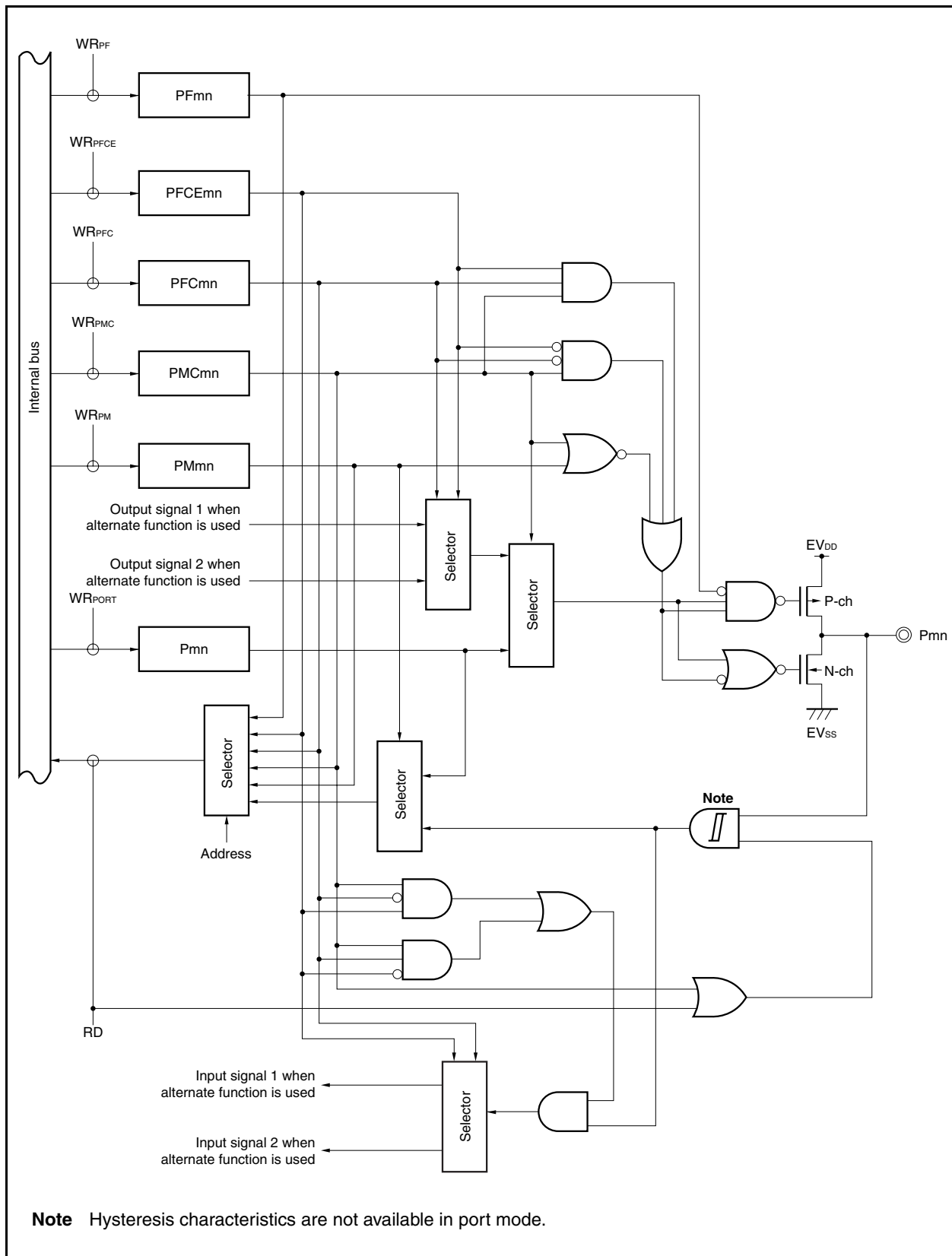
Figure 4-27. Block Diagram of Type U-13



<R>

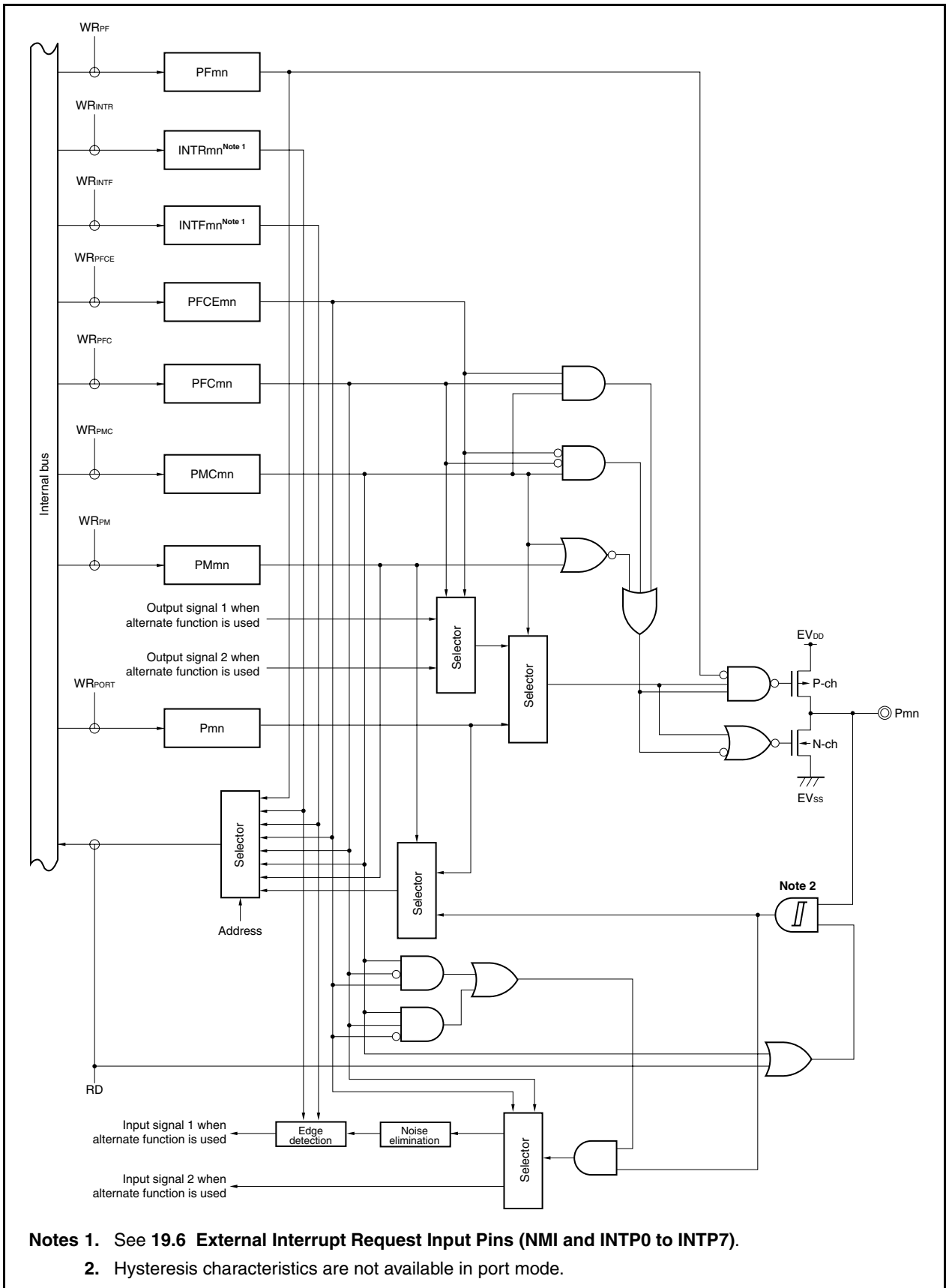
**Note** Hysteresis characteristics are not available in port mode.

Figure 4-28. Block Diagram of Type U-14



<R>

Figure 4-29. Block Diagram of Type U-15



- Notes 1.** See 19.6 External Interrupt Request Input Pins (NMI and INTP0 to INTP7).  
**2.** Hysteresis characteristics are not available in port mode.

Figure 4-30. Block Diagram of Type U-16

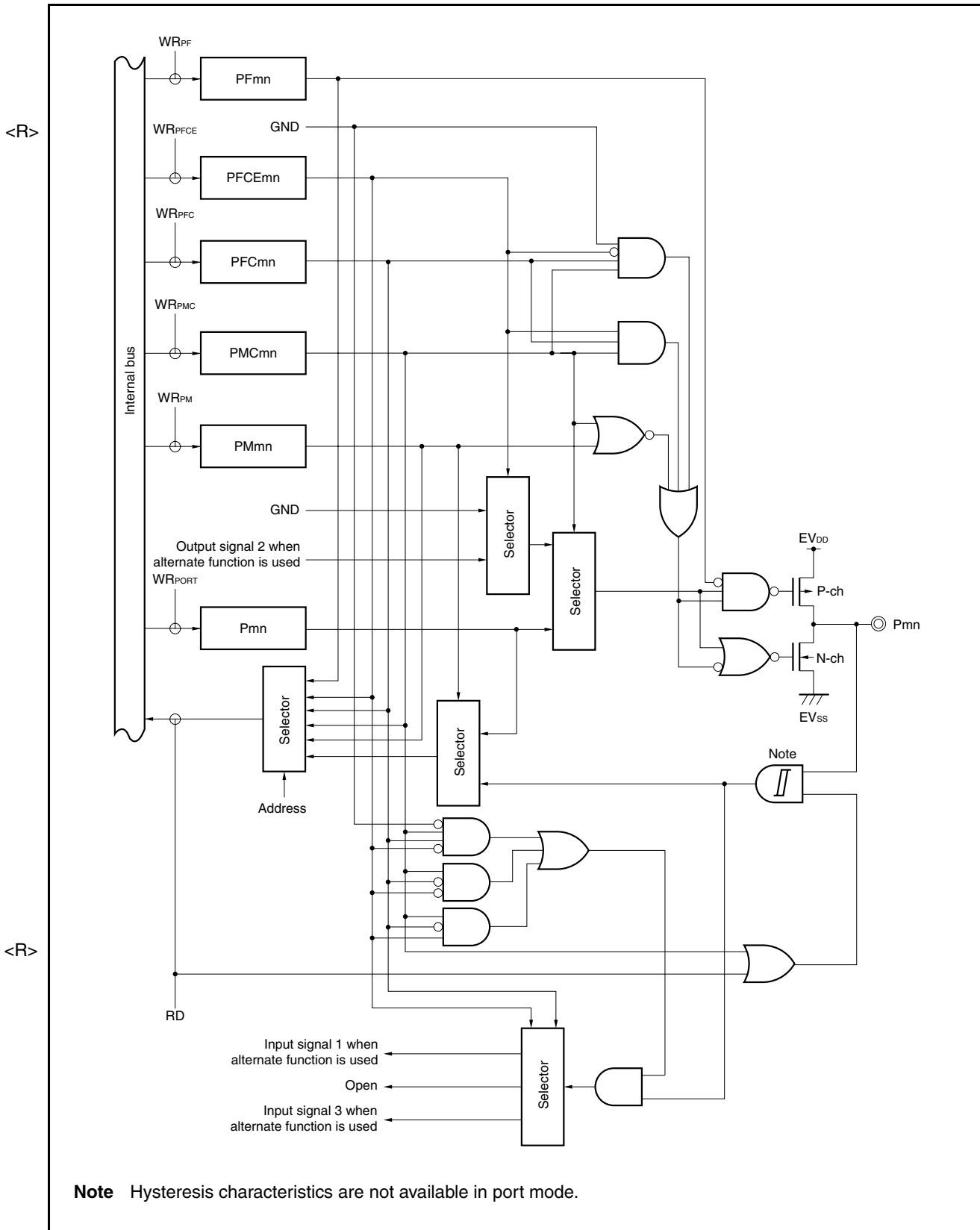
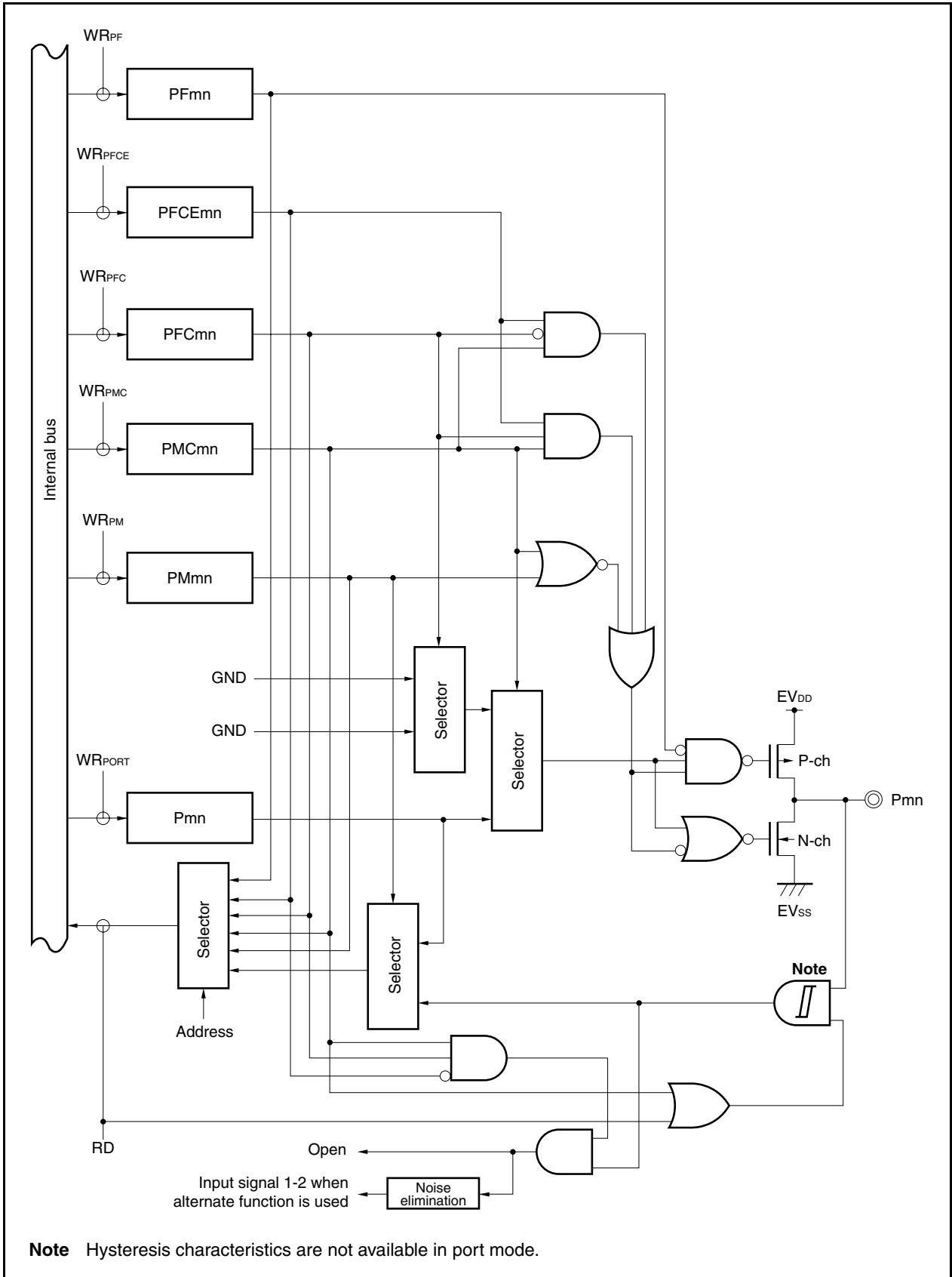




Figure 4-31. Block Diagram of Type U-20



<R>

**Note** Hysteresis characteristics are not available in port mode.

Figure 4-32. Block Diagram of Type U-21

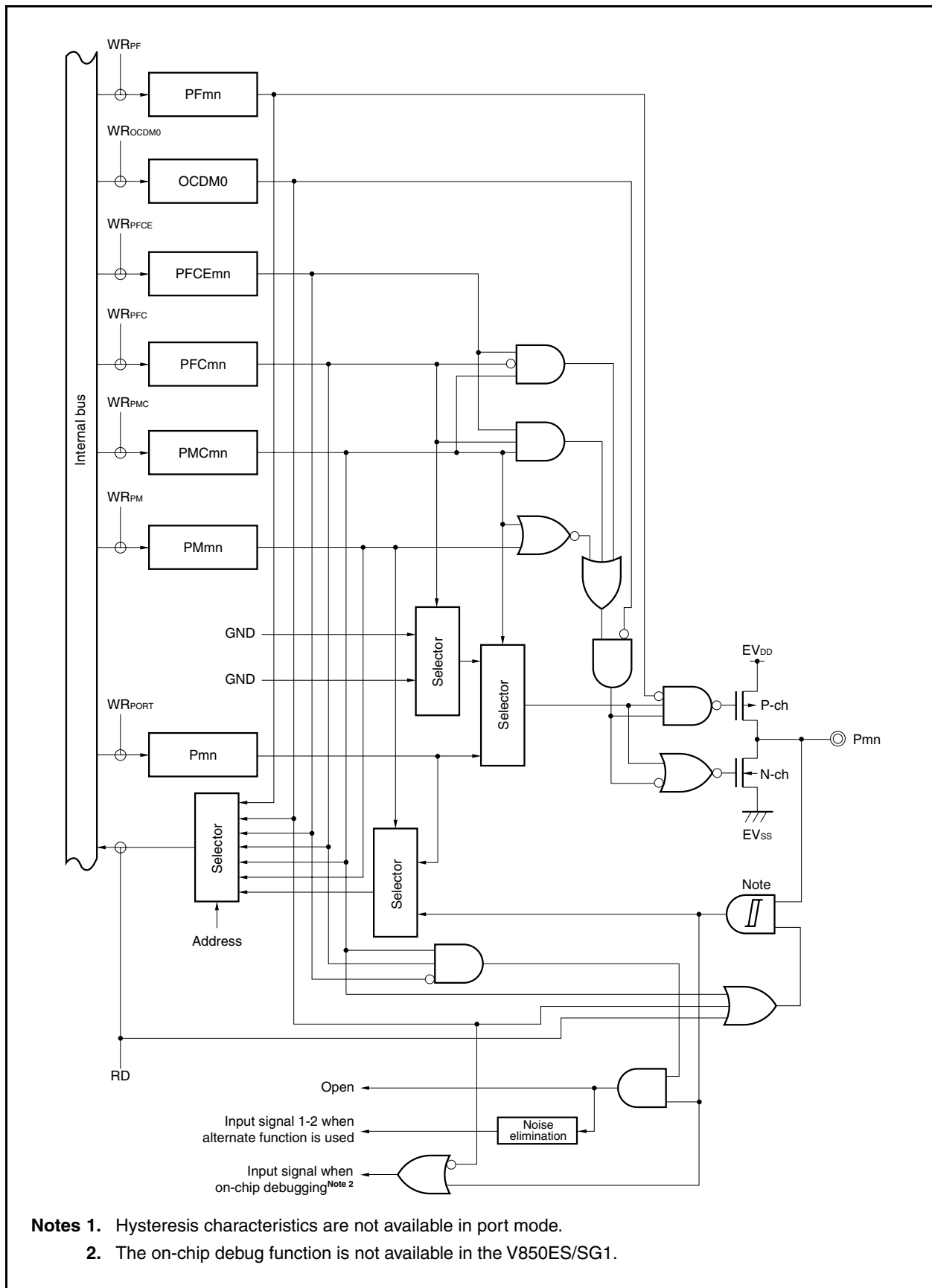
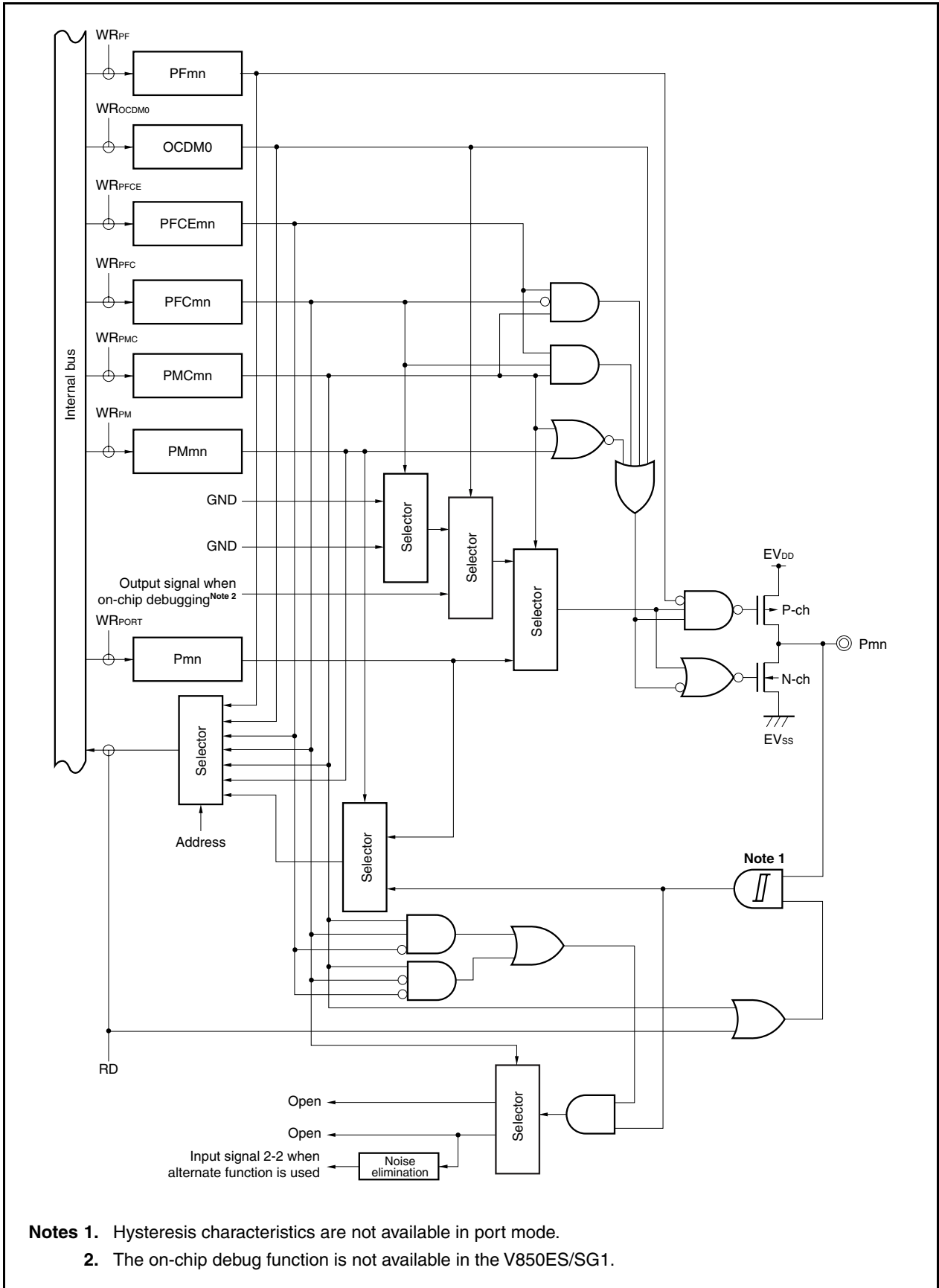


Figure 4-33. Block Diagram of Type U-22



- Notes**
1. Hysteresis characteristics are not available in port mode.
  2. The on-chip debug function is not available in the V850ES/SG1.

Figure 4-34. Block Diagram of Type U-23

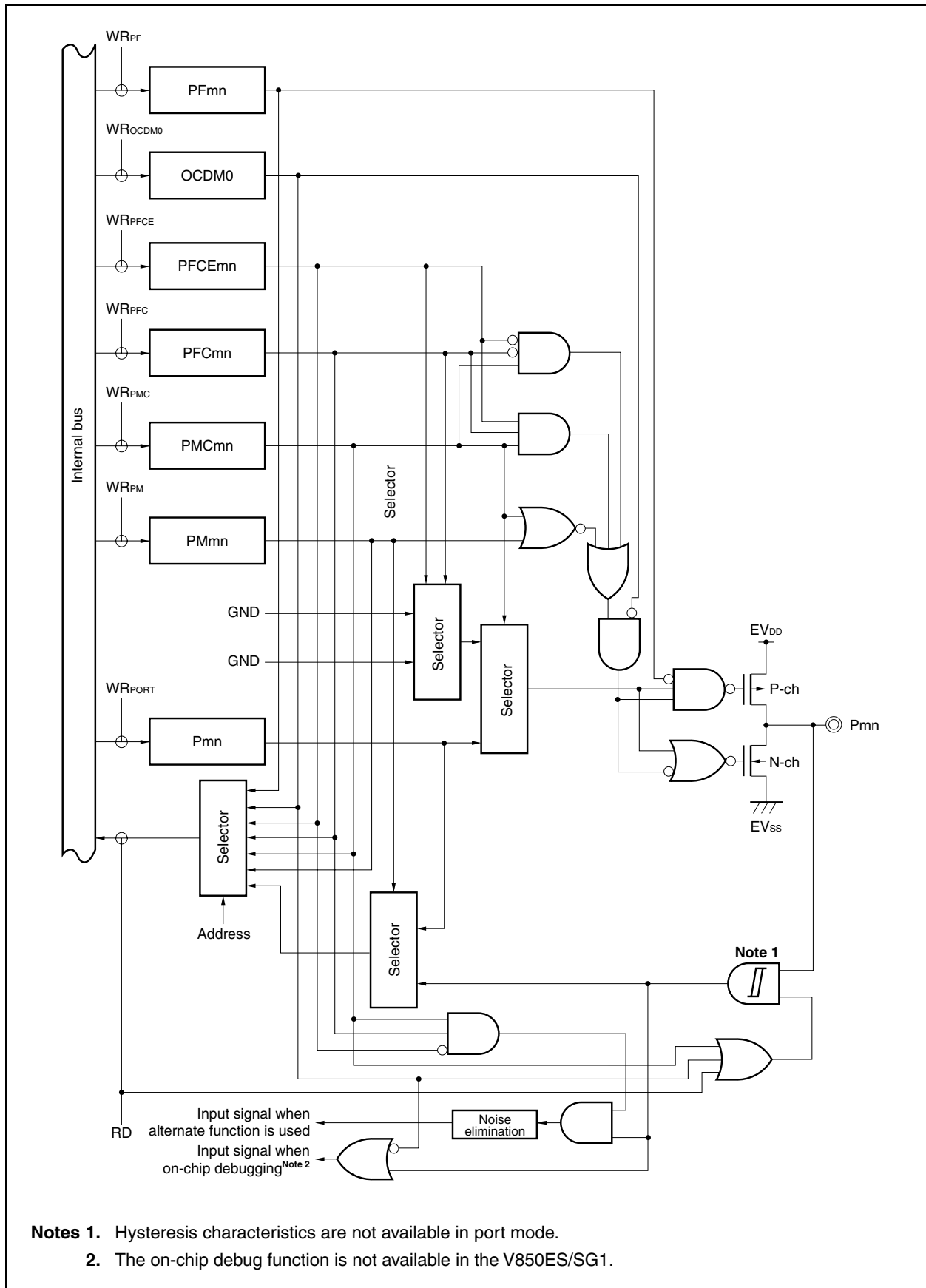
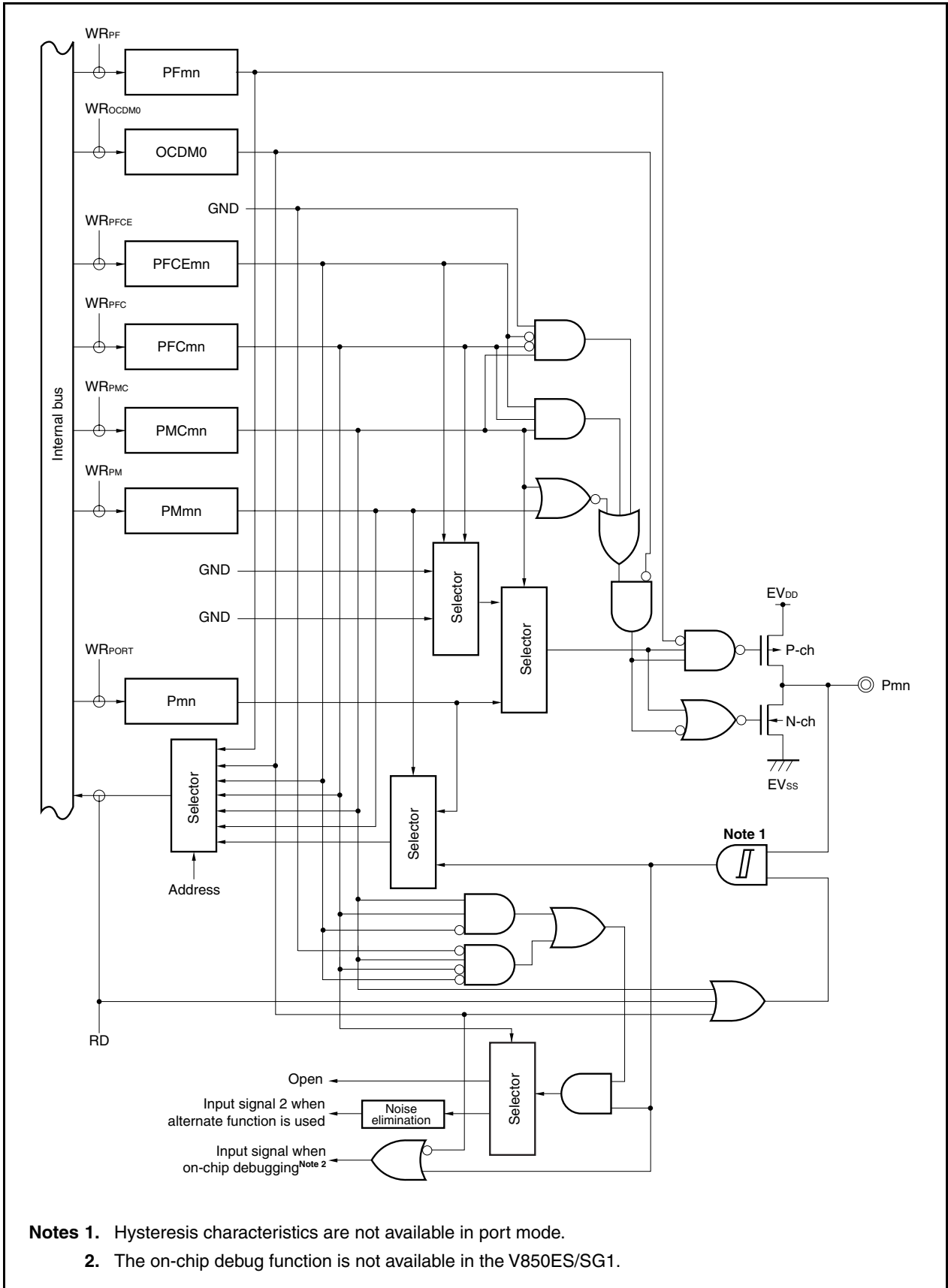
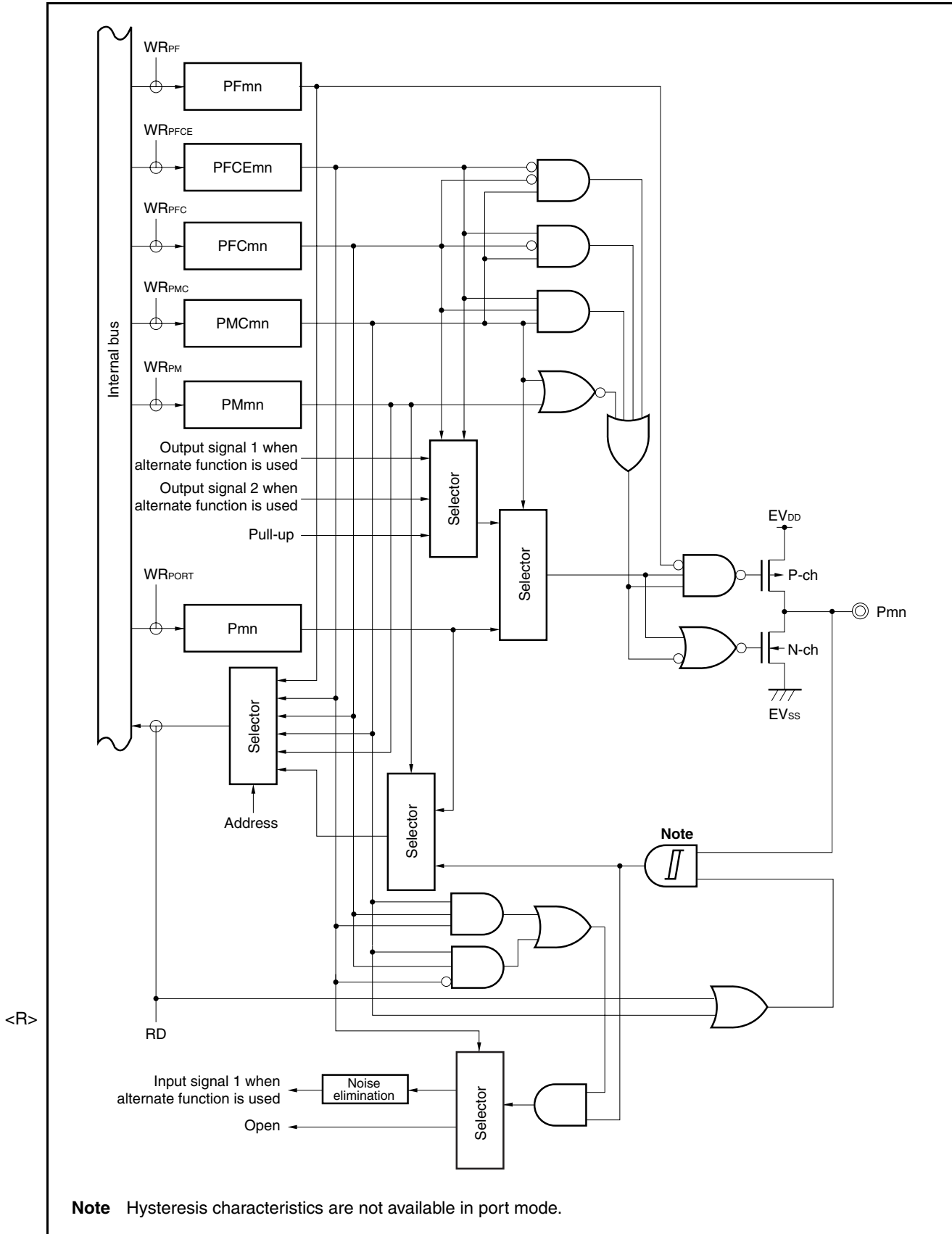


Figure 4-35. Block Diagram of Type U-24



- Notes 1.** Hysteresis characteristics are not available in port mode.  
**2.** The on-chip debug function is not available in the V850ES/SG1.

Figure 4-36. Block Diagram of Type U-25



**Note** Hysteresis characteristics are not available in port mode.

Figure 4-37. Block Diagram of Type U-26

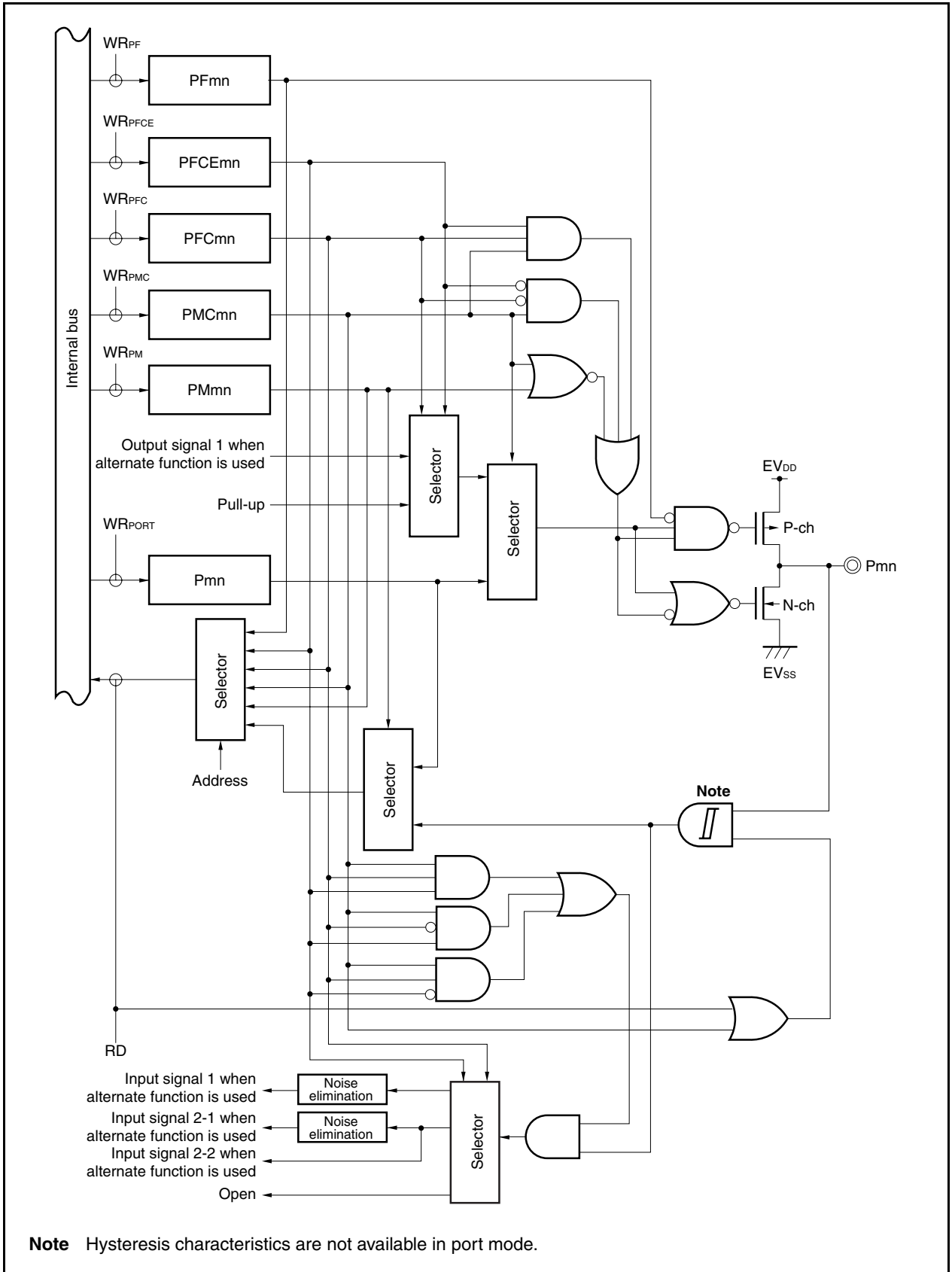
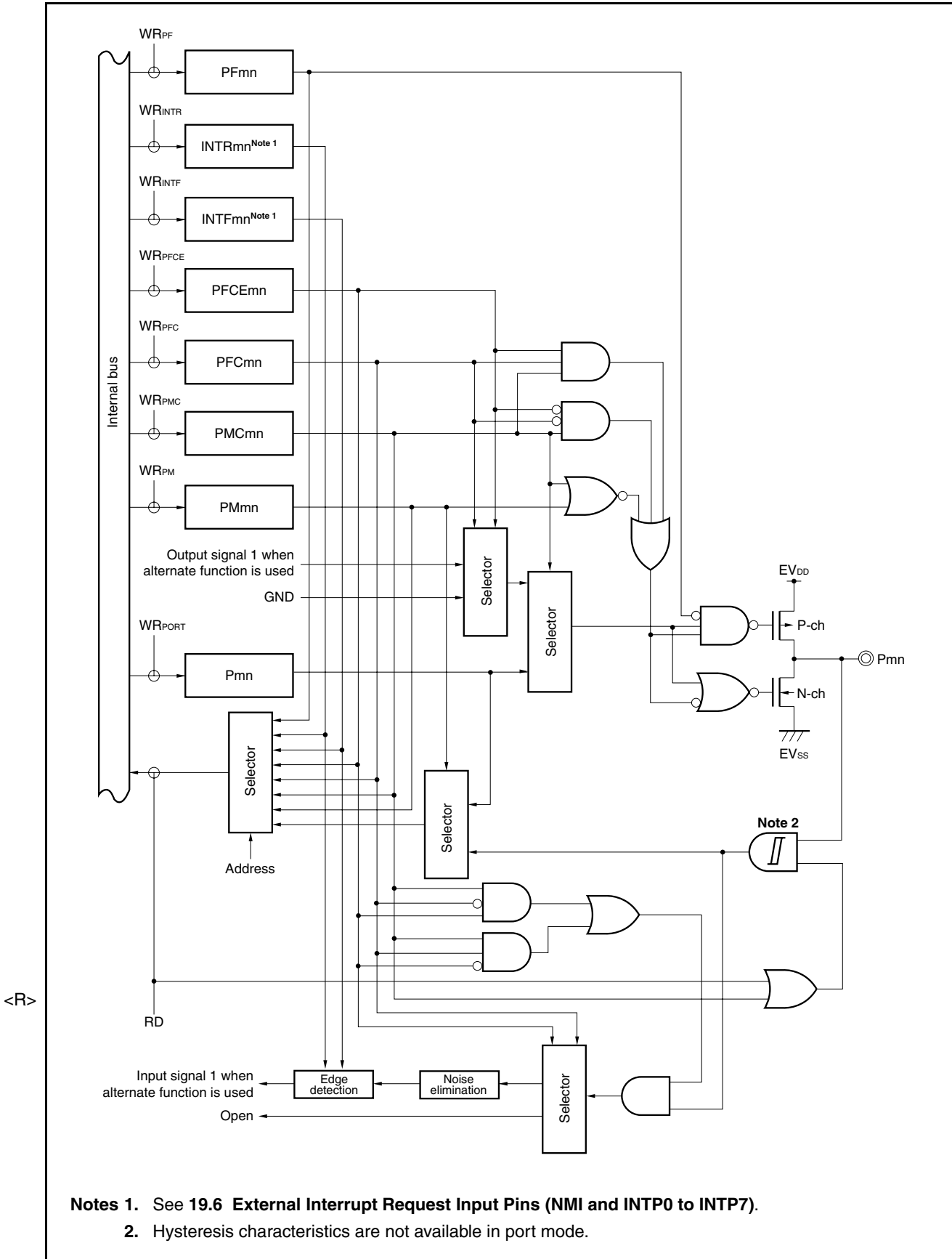


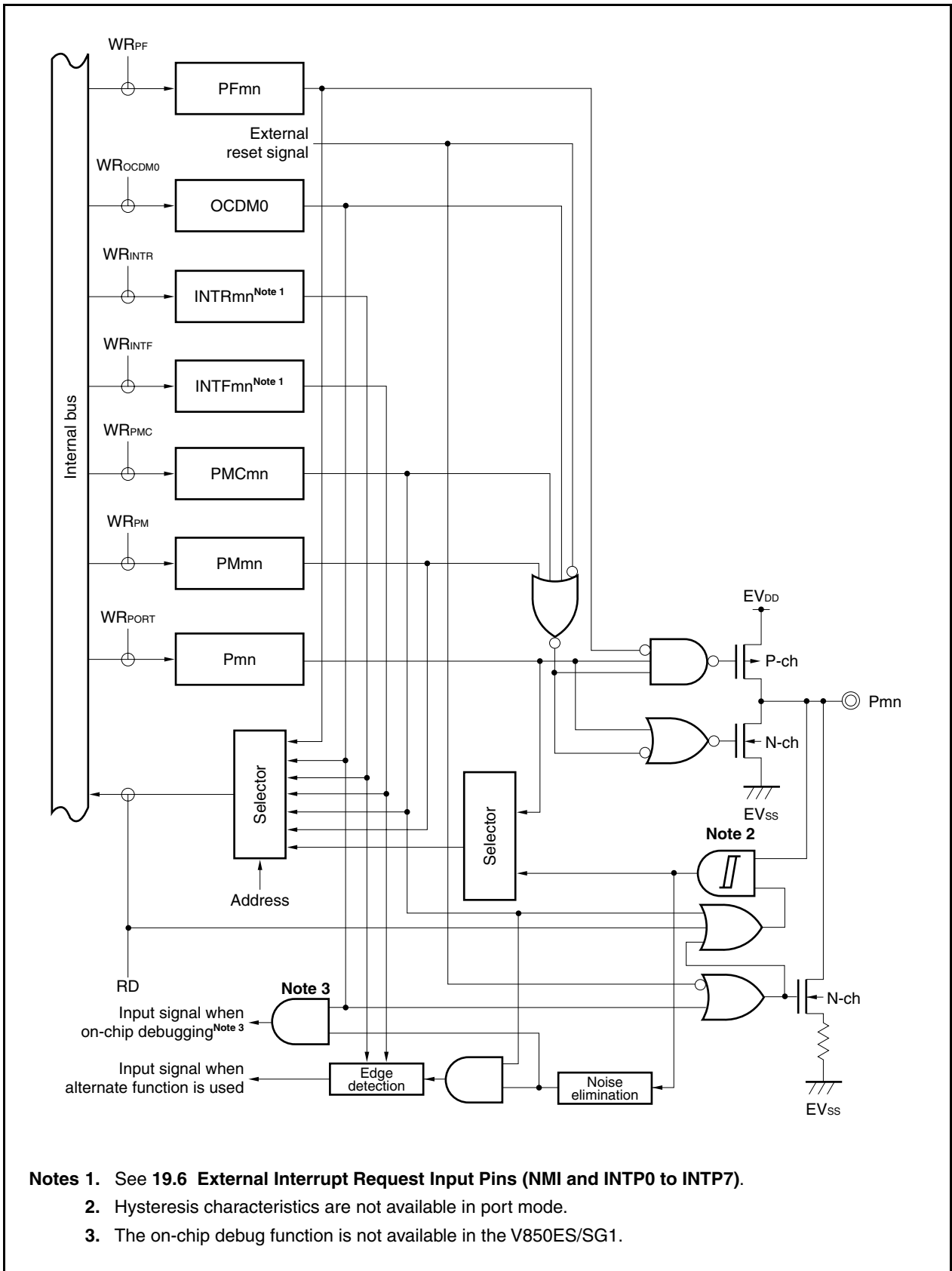
Figure 4-38. Block Diagram of Type U-27



- Notes 1.** See 19.6 External Interrupt Request Input Pins (NMI and INTP0 to INTP7).  
**2.** Hysteresis characteristics are not available in port mode.



Figure 4-39. Block Diagram of Type AA-1



#### 4.5 Port Register Settings When Alternate Function Is Used

Table 4-15 shows the port register settings when each port is used for an alternate function. When using a port pin as an alternate-function pin, refer to the description of each pin.

&lt;R&gt;Table 4-15. Using Port Pin as Alternate-Function Pin (1/6)

| Pin Name              | Alternate Function     |        | Pnx Bit of Pn Register     | PMnx Bit of PMn Register    | PMCnx Bit of PMCn Register | PFCEnx Bit of PFCEn Register | PFCnx Bit of PFCn Register | Other Bits (Registers) |
|-----------------------|------------------------|--------|----------------------------|-----------------------------|----------------------------|------------------------------|----------------------------|------------------------|
|                       | Name                   | I/O    |                            |                             |                            |                              |                            |                        |
| P02                   | NMI                    | Input  | P02 = Setting not required | PM02 = Setting not required | PMC02 = 1                  | -                            | -                          |                        |
| P03                   | INTP0                  | Input  | P03 = Setting not required | PM03 = Setting not required | PMC03 = 1                  | -                            | PFC03 = 0                  |                        |
|                       | ADTRG                  | Input  | P03 = Setting not required | PM03 = Setting not required | PMC03 = 1                  | -                            | PFC03 = 1                  |                        |
| P04                   | INTP1                  | Input  | P04 = Setting not required | PM04 = Setting not required | PMC04 = 1                  | -                            | -                          |                        |
| P05 <sup>Note 1</sup> | INTP2                  | Input  | P05 = Setting not required | PM05 = Setting not required | PMC05 = 1                  | -                            | -                          |                        |
| P06                   | INTP3                  | Input  | P06 = Setting not required | PM06 = Setting not required | PMC06 = 1                  | -                            | -                          |                        |
| P10                   | ANO0 <sup>Note 2</sup> | Output | P10 = Setting not required | PM10 = 1                    | -                          | -                            | -                          |                        |
| P11                   | ANO1 <sup>Note 2</sup> | Output | P11 = Setting not required | PM11 = 1                    | -                          | -                            | -                          |                        |
| P30                   | TXDA0                  | Output | P30 = Setting not required | PM30 = Setting not required | PMC30 = 1                  | -                            | PFC30 = 0                  |                        |
| P31                   | RXDA0                  | Input  | P31 = Setting not required | PM31 = Setting not required | PMC31 = 1                  | -                            | <b>Note 3</b> , PFC31 = 0  |                        |
|                       | INTP7                  | Input  | P31 = Setting not required | PM31 = Setting not required | PMC31 = 1                  | -                            | <b>Note 3</b> , PFC31 = 0  |                        |
| P32                   | ASCKA0                 | Input  | P32 = Setting not required | PM32 = Setting not required | PMC32 = 1                  | PFCE32 = 0                   | PFC32 = 0                  |                        |
|                       | TIP00                  | Input  | P32 = Setting not required | PM32 = Setting not required | PMC32 = 1                  | PFCE32 = 1                   | PFC32 = 0                  |                        |
|                       | TOP00                  | Output | P32 = Setting not required | PM32 = Setting not required | PMC32 = 1                  | PFCE32 = 1                   | PFC32 = 1                  |                        |
| P33                   | TIP01                  | Input  | P33 = Setting not required | PM33 = Setting not required | PMC33 = 1                  | -                            | PFC33 = 0                  |                        |
|                       | TOP01                  | Output | P33 = Setting not required | PM33 = Setting not required | PMC33 = 1                  | -                            | PFC33 = 1                  |                        |
| P34                   | TIP10                  | Input  | P34 = Setting not required | PM34 = Setting not required | PMC34 = 1                  | -                            | PFC34 = 0                  |                        |
|                       | TOP10                  | Output | P34 = Setting not required | PM34 = Setting not required | PMC34 = 1                  | -                            | PFC34 = 1                  |                        |

- Notes**
- This pin functions alternately as the on-chip debug function pin in the flash memory version (V850ES/SG2 ( $\mu$ PD70F3261Y, 70F3271Y, 70F3281Y)).
  - $\mu$ PD703253Y only
  - The INTP7 pin and RXDA0 pin are alternate-function pins. When using the pin as the RXDA0 pin, disable edge detection for the alternate-function INTP7 pin (clear the INTF3.INTF31 bit and INTR3.INTR31 bit to 0). When using the pin as the INTP7 pin, stop the UARTA0 reception operation (clear the UA0CTL0.UA0RXE bit to 0).

**Caution** In the  $\mu$ PD703253Y, when using one of the P10 and P11 pins as an I/O port and the other as a D/A output pin (ANO0, ANO1), do so in an application where the port I/O level does not change during D/A output.

&lt;R&gt; Table 4-15. Using Port Pin as Alternate-Function Pin (2/6)

| Pin Name              | Alternate Function                                  |        | Pnx Bit of Pn Register     | PMnx Bit of PMn Register    | PMCnx Bit of PMCn Register | PFCEnx Bit of PFCEn Register | PFCnx Bit of PFCn Register | Other Bits (Registers) |
|-----------------------|-----------------------------------------------------|--------|----------------------------|-----------------------------|----------------------------|------------------------------|----------------------------|------------------------|
|                       | Name                                                | I/O    |                            |                             |                            |                              |                            |                        |
| P35                   | TIP11                                               | Input  | P35 = Setting not required | PM35 = Setting not required | PMC35 = 1                  | –                            | PFC35 = 0                  |                        |
|                       | TOP11                                               | Output | P35 = Setting not required | PM35 = Setting not required | PMC35 = 1                  | –                            | PFC35 = 1                  |                        |
| P36                   | CTXD0 <sup>Note 1</sup>                             | Output | P36 = Setting not required | PM36 = Setting not required | PMC36 = 1                  | –                            | PFC36 = 0                  |                        |
|                       | IETX0 <sup>Note 2</sup>                             | Output | P36 = Setting not required | PM36 = Setting not required | PMC36 = 1                  | –                            | PFC36 = 1                  |                        |
| P37                   | CRXD0 <sup>Note 1</sup>                             | Input  | P37 = Setting not required | PM37 = Setting not required | PMC37 = 1                  | –                            | PFC37 = 0                  |                        |
|                       | I $\overline{\text{ER}}\text{X0}$ <sup>Note 2</sup> | Input  | P37 = Setting not required | PM37 = Setting not required | PMC37 = 1                  | –                            | PFC37 = 1                  |                        |
| P38                   | SDA00                                               | I/O    | P38 = Setting not required | PM38 = Setting not required | PMC38 = 1                  | –                            | PFC38 = 1                  | PF38 (PF3) = 1         |
| P39                   | SCL00                                               | I/O    | P39 = Setting not required | PM39 = Setting not required | PMC39 = 1                  | –                            | PFC39 = 1                  | PF39 (PF3) = 1         |
| P40                   | SIB0                                                | Input  | P40 = Setting not required | PM40 = Setting not required | PMC40 = 1                  | –                            | PFC40 = 0                  |                        |
|                       | SDA01                                               | I/O    | P40 = Setting not required | PM40 = Setting not required | PMC40 = 1                  | –                            | PFC40 = 1                  | PF40 (PF4) = 1         |
| P41                   | SOB0                                                | Output | P41 = Setting not required | PM41 = Setting not required | PMC41 = 1                  | –                            | PFC41 = 0                  |                        |
|                       | SCL01                                               | I/O    | P41 = Setting not required | PM41 = Setting not required | PMC41 = 1                  | –                            | PFC41 = 1                  | PF41 (PF4) = 1         |
| P42                   | $\overline{\text{SCKB0}}$                           | I/O    | P42 = Setting not required | PM42 = Setting not required | PMC42 = 1                  | –                            | –                          |                        |
| P50                   | KR0                                                 | Input  | P50 = Setting not required | PM50 = Setting not required | PMC50 = 1                  | PFCE50 = 0                   | PFC50 = 1                  |                        |
| P51                   | KR1                                                 | Input  | P51 = Setting not required | PM51 = Setting not required | PMC51 = 1                  | PFCE51 = 0                   | PFC51 = 1                  |                        |
| P52 <sup>Note 3</sup> | KR2                                                 | Input  | P52 = Setting not required | PM52 = Setting not required | PMC52 = 1                  | PFCE52 = 0                   | PFC52 = 1                  |                        |
| P53 <sup>Note 3</sup> | KR3                                                 | Input  | P53 = Setting not required | PM53 = Setting not required | PMC53 = 1                  | PFCE53 = 0                   | PFC53 = 1                  |                        |
| P54 <sup>Note 3</sup> | KR4                                                 | Input  | P54 = Setting not required | PM54 = Setting not required | PMC54 = 1                  | PFCE54 = 0                   | PFC54 = 1                  |                        |
| P55 <sup>Note 3</sup> | KR5                                                 | Input  | P55 = Setting not required | PM55 = Setting not required | PMC55 = 1                  | PFCE55 = 1                   | PFC55 = 1                  |                        |

- Notes**
1.  $\mu\text{PD703253Y}$  only
  2.  $\mu\text{PD703252Y}$  only
  3. This pin functions alternately as the on-chip debug function pin in the flash memory version (V850ES/SG2 ( $\mu\text{PD70F3261Y}$ ,  $70\text{F3271Y}$ ,  $70\text{F3281Y}$ )).

&lt;R&gt; Table 4-15. Using Port Pin as Alternate-Function Pin (3/6)

| Pin Name | Alternate Function          |        | Pnx Bit of Pn Register      | PMnx Bit of PMn Register    | PMCnx Bit of PMCn Register | PFCEnx Bit of PFCEn Register | PFCnx Bit of PFCn Register | Other Bits (Registers) |
|----------|-----------------------------|--------|-----------------------------|-----------------------------|----------------------------|------------------------------|----------------------------|------------------------|
|          | Name                        | I/O    |                             |                             |                            |                              |                            |                        |
| P70      | ANI0                        | Input  | P70 = Setting not required  | PM70 = 1                    | –                          | –                            | –                          |                        |
| P71      | ANI1                        | Input  | P71 = Setting not required  | PM71 = 1                    | –                          | –                            | –                          |                        |
| P72      | ANI2                        | Input  | P72 = Setting not required  | PM72 = 1                    | –                          | –                            | –                          |                        |
| P73      | ANI3                        | Input  | P73 = Setting not required  | PM73 = 1                    | –                          | –                            | –                          |                        |
| P74      | ANI4                        | Input  | P74 = Setting not required  | PM74 = 1                    | –                          | –                            | –                          |                        |
| P75      | ANI5                        | Input  | P75 = Setting not required  | PM75 = 1                    | –                          | –                            | –                          |                        |
| P76      | ANI6                        | Input  | P76 = Setting not required  | PM76 = 1                    | –                          | –                            | –                          |                        |
| P77      | ANI7                        | Input  | P77 = Setting not required  | PM77 = 1                    | –                          | –                            | –                          |                        |
| P78      | ANI8                        | Input  | P78 = Setting not required  | PM78 = 1                    | –                          | –                            | –                          |                        |
| P79      | ANI9                        | Input  | P79 = Setting not required  | PM79 = 1                    | –                          | –                            | –                          |                        |
| P710     | ANI10                       | Input  | P710 = Setting not required | PM710 = 1                   | –                          | –                            | –                          |                        |
| P711     | ANI11                       | Input  | P711 = Setting not required | PM711 = 1                   | –                          | –                            | –                          |                        |
| P90      | A0                          | Output | P90 = Setting not required  | PM90 = Setting not required | PMC90 = 1                  | PFCE90 = 0                   | PFC90 = 0                  | <b>Note 1</b>          |
|          | KR6                         | Input  | P90 = Setting not required  | PM90 = Setting not required | PMC90 = 1                  | PFCE90 = 0                   | PFC90 = 1                  |                        |
|          | TXDA1                       | Output | P90 = Setting not required  | PM90 = Setting not required | PMC90 = 1                  | PFCE90 = 1                   | PFC90 = 0                  |                        |
| P91      | A1                          | Output | P91 = Setting not required  | PM91 = Setting not required | PMC91 = 1                  | PFCE91 = 0                   | PFC91 = 0                  | <b>Note 1</b>          |
|          | KR7                         | Input  | P91 = Setting not required  | PM91 = Setting not required | PMC91 = 1                  | PFCE91 = 0                   | PFC91 = 1                  |                        |
|          | RXDA1/KR7 <sup>Note 2</sup> | Input  | P91 = Setting not required  | PM91 = Setting not required | PMC91 = 1                  | PFCE91 = 1                   | PFC91 = 0                  |                        |

- Notes 1.** Port 9 pins cannot be used as port pins or other alternate-function pins if even one of the A0 to A15 pins is used in the separate bus mode. After setting the PFC9 and PFCE9 registers to 0000H, therefore, set all 16 bits of the PMC9 register to FFFFH at once.
- 2.** The RXDA1 and KR7 pins must not be used at the same time. When using the RXDA1 pin, do not use the KR7 pin. When using the KR7 pin, do not use the RXDA1 pin (it is recommended to set the PFC91 bit to 1 and clear the PFCE91 bit to 0).

&lt;R&gt; Table 4-15. Using Port Pin as Alternate-Function Pin (4/6)

| Pin Name | Alternate Function |        | Pnx Bit of Pn Register     | PMnx Bit of PMn Register    | PMCnx Bit of PMCn Register | PFCEnx Bit of PFCEn Register | PFCnx Bit of PFCn Register | Other Bits (Registers) |
|----------|--------------------|--------|----------------------------|-----------------------------|----------------------------|------------------------------|----------------------------|------------------------|
|          | Name               | I/O    |                            |                             |                            |                              |                            |                        |
| P92      | A2                 | Output | P92 = Setting not required | PM92 = Setting not required | PMC92 = 1                  | PFCE92 = 0                   | PFC92 = 0                  | <b>Note</b>            |
|          | TIP41              | Input  | P92 = Setting not required | PM92 = Setting not required | PMC92 = 1                  | PFCE92 = 0                   | PFC92 = 1                  |                        |
|          | TOP41              | Output | P92 = Setting not required | PM92 = Setting not required | PMC92 = 1                  | PFCE92 = 1                   | PFC92 = 0                  |                        |
| P93      | A3                 | Output | P93 = Setting not required | PM93 = Setting not required | PMC93 = 1                  | PFCE93 = 0                   | PFC93 = 0                  | <b>Note</b>            |
|          | TIP40              | Input  | P93 = Setting not required | PM93 = Setting not required | PMC93 = 1                  | PFCE93 = 0                   | PFC93 = 1                  |                        |
|          | TOP40              | Output | P93 = Setting not required | PM93 = Setting not required | PMC93 = 1                  | PFCE93 = 1                   | PFC93 = 0                  |                        |
| P94      | A4                 | Output | P94 = Setting not required | PM94 = Setting not required | PMC94 = 1                  | PFCE94 = 0                   | PFC94 = 0                  | <b>Note</b>            |
|          | TIP31              | Input  | P94 = Setting not required | PM94 = Setting not required | PMC94 = 1                  | PFCE94 = 0                   | PFC94 = 1                  |                        |
|          | TOP31              | Output | P94 = Setting not required | PM94 = Setting not required | PMC94 = 1                  | PFCE94 = 1                   | PFC94 = 0                  |                        |
| P95      | A5                 | Output | P95 = Setting not required | PM95 = Setting not required | PMC95 = 1                  | PFCE95 = 0                   | PFC95 = 0                  | <b>Note</b>            |
|          | TIP30              | Input  | P95 = Setting not required | PM95 = Setting not required | PMC95 = 1                  | PFCE95 = 0                   | PFC95 = 1                  |                        |
|          | TOP30              | Output | P95 = Setting not required | PM95 = Setting not required | PMC95 = 1                  | PFCE95 = 1                   | PFC95 = 0                  |                        |
| P96      | A6                 | Output | P96 = Setting not required | PM96 = Setting not required | PMC96 = 1                  | PFCE96 = 0                   | PFC96 = 0                  | <b>Note</b>            |
|          | TIP21              | Input  | P96 = Setting not required | PM96 = Setting not required | PMC96 = 1                  | PFCE96 = 1                   | PFC96 = 0                  |                        |
|          | TOP21              | Output | P96 = Setting not required | PM96 = Setting not required | PMC96 = 1                  | PFCE96 = 1                   | PFC96 = 1                  |                        |
| P97      | A7                 | Output | P97 = Setting not required | PM97 = Setting not required | PMC97 = 1                  | PFCE97 = 0                   | PFC97 = 0                  | <b>Note</b>            |
|          | SIB1               | Input  | P97 = Setting not required | PM97 = Setting not required | PMC97 = 1                  | PFCE97 = 0                   | PFC97 = 1                  |                        |
|          | TIP20              | Input  | P97 = Setting not required | PM97 = Setting not required | PMC97 = 1                  | PFCE97 = 1                   | PFC97 = 0                  |                        |
|          | TOP20              | Output | P97 = Setting not required | PM97 = Setting not required | PMC97 = 1                  | PFCE97 = 1                   | PFC97 = 1                  |                        |
| P98      | A8                 | Output | P98 = Setting not required | PM98 = Setting not required | PMC98 = 1                  | –                            | PFC98 = 0                  | <b>Note</b>            |
|          | SOB1               | Output | P98 = Setting not required | PM98 = Setting not required | PMC98 = 1                  | –                            | PFC98 = 1                  |                        |
| P99      | A9                 | Output | P99 = Setting not required | PM99 = Setting not required | PMC99 = 1                  | –                            | PFC99 = 0                  | <b>Note</b>            |
|          | SCKB1              | I/O    | P99 = Setting not required | PM99 = Setting not required | PMC99 = 1                  | –                            | PFC99 = 1                  |                        |

**Note** Port 9 pins cannot be used as port pins or other alternate-function pins if even one of the A0 to A15 pins is used in the separate bus mode. After setting the PFC9 and PFCE9 registers to 0000H, therefore, set all 16 bits of the PMC9 register to FFFFH at once.

&lt;R&gt; Table 4-15. Using Port Pin as Alternate-Function Pin (5/6)

| Pin Name | Alternate Function      |        | Pnx Bit of Pn Register      | PMnx Bit of PMn Register     | PMCnx Bit of PMCn Register | PFCEnx Bit of PFCEn Register | PFCnx Bit of PFCn Register | Other Bits (Registers) |
|----------|-------------------------|--------|-----------------------------|------------------------------|----------------------------|------------------------------|----------------------------|------------------------|
|          | Name                    | I/O    |                             |                              |                            |                              |                            |                        |
| P910     | A10                     | Output | P910 = Setting not required | PM910 = Setting not required | PMC910 = 1                 | –                            | PFC910 = 0                 | <b>Note 1</b>          |
|          | SIB3                    | Input  | P910 = Setting not required | PM910 = Setting not required | PMC910 = 1                 | –                            | PFC910 = 1                 |                        |
| P911     | A11                     | Output | P911 = Setting not required | PM911 = Setting not required | PMC911 = 1                 | –                            | PFC911 = 0                 | <b>Note 1</b>          |
|          | SOB3                    | Output | P911 = Setting not required | PM911 = Setting not required | PMC911 = 1                 | –                            | PFC911 = 1                 |                        |
| P912     | A12                     | Output | P912 = Setting not required | PM912 = Setting not required | PMC912 = 1                 | –                            | PFC912 = 0                 | <b>Note 1</b>          |
|          | SCKB3                   | I/O    | P912 = Setting not required | PM912 = Setting not required | PMC912 = 1                 | –                            | PFC912 = 1                 |                        |
| P913     | A13                     | Output | P913 = Setting not required | PM913 = Setting not required | PMC913 = 1                 | –                            | PFC913 = 0                 | <b>Note 1</b>          |
|          | INTP4                   | Input  | P913 = Setting not required | PM913 = Setting not required | PMC913 = 1                 | –                            | PFC913 = 1                 |                        |
| P914     | A14                     | Output | P914 = Setting not required | PM914 = Setting not required | PMC914 = 1                 | PFCE914 = 0                  | PFC914 = 0                 | <b>Note 1</b>          |
|          | INTP5                   | Input  | P914 = Setting not required | PM914 = Setting not required | PMC914 = 1                 | PFCE914 = 0                  | PFC914 = 1                 |                        |
|          | TIP51 <sup>Note 2</sup> | Input  | P914 = Setting not required | PM914 = Setting not required | PMC914 = 1                 | PFCE914 = 1                  | PFC914 = 0                 |                        |
|          | TOP51 <sup>Note 2</sup> | Output | P914 = Setting not required | PM914 = Setting not required | PMC914 = 1                 | PFCE914 = 1                  | PFC914 = 1                 |                        |
| P915     | A15                     | Output | P915 = Setting not required | PM915 = Setting not required | PMC915 = 1                 | PFCE915 = 0                  | PFC915 = 0                 | <b>Note 1</b>          |
|          | INTP6                   | Input  | P915 = Setting not required | PM915 = Setting not required | PMC915 = 1                 | PFCE915 = 0                  | PFC915 = 1                 |                        |
|          | TIP50 <sup>Note 2</sup> | Input  | P915 = Setting not required | PM915 = Setting not required | PMC915 = 1                 | PFCE915 = 1                  | PFC915 = 0                 |                        |
|          | TOP50 <sup>Note 2</sup> | Output | P915 = Setting not required | PM915 = Setting not required | PMC915 = 1                 | PFCE915 = 1                  | PFC915 = 1                 |                        |
| PCM0     | WAIT                    | Input  | PCM0 = Setting not required | PMCM0 = Setting not required | PMCCM0 = 1                 | –                            | –                          |                        |
| PCM1     | CLKOUT                  | Output | PCM1 = Setting not required | PMCM1 = Setting not required | PMCCM1 = 1                 | –                            | –                          |                        |
| PCM2     | HLDK                    | Output | PCM2 = Setting not required | PMCM2 = Setting not required | PMCCM2 = 1                 | –                            | –                          |                        |
| PCM3     | HLDK                    | Input  | PCM3 = Setting not required | PMCM3 = Setting not required | PMCCM3 = 1                 | –                            | –                          |                        |
| PCT0     | WR0                     | Output | PCT0 = Setting not required | PMCT0 = Setting not required | PMCCM0 = 1                 | –                            | –                          |                        |
| PCT1     | WR1                     | Output | PCT1 = Setting not required | PMCT1 = Setting not required | PMCCM1 = 1                 | –                            | –                          |                        |
| PCT4     | RD                      | Output | PCT4 = Setting not required | PMCT4 = Setting not required | PMCCM4 = 1                 | –                            | –                          |                        |
| PCT6     | ASTB                    | Output | PCT6 = Setting not required | PMCT6 = Setting not required | PMCCM6 = 1                 | –                            | –                          |                        |

**Notes 1.** Port 9 pins cannot be used as port pins or other alternate-function pins if even one of the A0 to A15 pins is used in the separate bus mode. After setting the PFC9 and PFCE9 registers to 0000H, therefore, set all 16 bits of the PMC9 register to FFFFH at once.

**2.**  $\mu$ PD703253Y only

Table 4-15. Using Port Pin as Alternate-Function Pin (6/6)

| Pin Name | Alternate Function |        | Pnx Bit of Pn Register       | PMnx Bit of PMn Register      | PMCnx Bit of PMCn Register | PFCEnx Bit of PFCEn Register | PFCnx Bit of PFCn Register | Other Bits (Registers) |
|----------|--------------------|--------|------------------------------|-------------------------------|----------------------------|------------------------------|----------------------------|------------------------|
|          | Name               | I/O    |                              |                               |                            |                              |                            |                        |
| PDH0     | A16                | Output | PDH0 = Setting not required  | PMDH0 = Setting not required  | PMCDH0 = 1                 | –                            | –                          |                        |
| PDH1     | A17                | Output | PDH1 = Setting not required  | PMDH1 = Setting not required  | PMCDH1 = 1                 | –                            | –                          |                        |
| PDH2     | A18                | Output | PDH2 = Setting not required  | PMDH2 = Setting not required  | PMCDH2 = 1                 | –                            | –                          |                        |
| PDH3     | A19                | Output | PDH3 = Setting not required  | PMDH3 = Setting not required  | PMCDH3 = 1                 | –                            | –                          |                        |
| PDH4     | A20                | Output | PDH4 = Setting not required  | PMDH4 = Setting not required  | PMCDH4 = 1                 | –                            | –                          |                        |
| PDH5     | A21                | Output | PDH5 = Setting not required  | PMDH5 = Setting not required  | PMCDH5 = 1                 | –                            | –                          |                        |
| PDL0     | AD0                | I/O    | PDL0 = Setting not required  | PMDL0 = Setting not required  | PMCDL0 = 1                 | –                            | –                          |                        |
| PDL1     | AD1                | I/O    | PDL1 = Setting not required  | PMDL1 = Setting not required  | PMCDL1 = 1                 | –                            | –                          |                        |
| PDL2     | AD2                | I/O    | PDL2 = Setting not required  | PMDL2 = Setting not required  | PMCDL2 = 1                 | –                            | –                          |                        |
| PDL3     | AD3                | I/O    | PDL3 = Setting not required  | PMDL3 = Setting not required  | PMCDL3 = 1                 | –                            | –                          |                        |
| PDL4     | AD4                | I/O    | PDL4 = Setting not required  | PMDL4 = Setting not required  | PMCDL4 = 1                 | –                            | –                          |                        |
| PDL5     | AD5                | I/O    | PDL5 = Setting not required  | PMDL5 = Setting not required  | PMCDL5 = 1                 | –                            | –                          |                        |
| PDL6     | AD6                | I/O    | PDL6 = Setting not required  | PMDL6 = Setting not required  | PMCDL6 = 1                 | –                            | –                          |                        |
| PDL7     | AD7                | I/O    | PDL7 = Setting not required  | PMDL7 = Setting not required  | PMCDL7 = 1                 | –                            | –                          |                        |
| PDL8     | AD8                | I/O    | PDL8 = Setting not required  | PMDL8 = Setting not required  | PMCDL8 = 1                 | –                            | –                          |                        |
| PDL9     | AD9                | I/O    | PDL9 = Setting not required  | PMDL9 = Setting not required  | PMCDL9 = 1                 | –                            | –                          |                        |
| PDL10    | AD10               | I/O    | PDL10 = Setting not required | PMDL10 = Setting not required | PMCDL10 = 1                | –                            | –                          |                        |
| PDL11    | AD11               | I/O    | PDL11 = Setting not required | PMDL11 = Setting not required | PMCDL11 = 1                | –                            | –                          |                        |
| PDL12    | AD12               | I/O    | PDL12 = Setting not required | PMDL12 = Setting not required | PMCDL12 = 1                | –                            | –                          |                        |
| PDL13    | AD13               | I/O    | PDL13 = Setting not required | PMDL13 = Setting not required | PMCDL13 = 1                | –                            | –                          |                        |
| PDL14    | AD14               | I/O    | PDL14 = Setting not required | PMDL14 = Setting not required | PMCDL14 = 1                | –                            | –                          |                        |
| PDL15    | AD15               | I/O    | PDL15 = Setting not required | PMDL15 = Setting not required | PMCDL15 = 1                | –                            | –                          |                        |



## 4.6 Cautions

### 4.6.1 Cautions on setting port pins

(1) In the V850ES/SG1, the general-purpose port function and several peripheral function I/O pin share a pin. To switch between the general-purpose port (port mode) and the peripheral function I/O pin (alternate-function mode), set by the PMCn register. In regards to this register setting sequence, note with caution the following.

(a) Cautions on switching from port mode to alternate-function mode

To switch from the port mode to alternate-function mode in the following order.

- <1> Set the PFn register<sup>Note</sup>: N-ch open-drain setting
- <2> Set the PFCn and PFCEn registers: Alternate-function selection
- <3> Set the corresponding bit of the PMCn register to 1: Switch to alternate-function mode

If the PMCn register is set first, note with caution that, at that moment or depending on the change of the pin states in accordance with the setting of the PFn, PFCn, and PFCEn registers, unexpected operations may occur.

A concrete example is shown as Example below.

**Note** N-ch open-drain output pin only

**Caution** Regardless of the port mode/alternate-function mode, the Pn register is read and written as follows.

- Pn register read: Read the port output latch value (when PMn.PMnm bit = 0), or read the pin states (PMn.PMnm bit = 1).
- Pn register write: Write to the port output latch

[Example] SCL01 pin setting example

The SCL01 pin is used alternately with the P41/SOB0 pin. Select the valid pin functions with the PMC4, PFC4, and PF4 registers.

| PMC41 Bit | PFC41 Bit  | PF41 Bit | Valid Pin Functions                               |
|-----------|------------|----------|---------------------------------------------------|
| 0         | don't care | 1        | P41 (in output port mode, N-ch open-drain output) |
| 1         | 0          | 1        | SOB0 output (N-ch open-drain output)              |
|           | 1          | 1        | SCL01 I/O (N-ch open-drain output)                |

The order of setting in which malfunction may occur on switching from the P41 pin to the SCL01 pin are shown below.

| Setting Order | Setting Contents                                                    | Pin States        | Pin Level                                             |
|---------------|---------------------------------------------------------------------|-------------------|-------------------------------------------------------|
| <1>           | Initial value<br>(PMC41 bit = 0,<br>PFC41 bit = 0,<br>PF41 bit = 0) | Port mode (input) | Hi-Z                                                  |
| <2>           | PMC41 bit ← 1                                                       | SOB0 output       | Low level (high level depending on the CSIB0 setting) |
| <3>           | PFC41 bit ← 1                                                       | SCL01 I/O         | High level (CMOS output)                              |
| <4>           | PF41 bit ← 1                                                        | SCL01 I/O         | Hi-Z (N-ch open-drain output)                         |

In <2>, I<sup>2</sup>C communication may be affected since the alternate-function SOB0 output is output to the pin. In the CMOS output period of <2> or <3>, unnecessary current may be generated.

(b) Cautions on alternate-function mode (input)

The input signal to the alternate-function block is low level when the PMCn.PMCnm bit is 0 due to the AND output of the PMCn register set value and the pin level. Thus, depending on the port setting and alternate-function operation enable timing, unexpected operations may occur. Therefore, switch between the port mode and alternate-function mode in the following sequence.

- To switch from port mode to alternate-function mode (input)  
Set the pins to the alternate-function mode using the PMCn register and then enable the alternate-function operation.
- To switch from alternate-function mode (input) to port mode  
Stop the alternate-function operation and then switch the pins to the port mode.

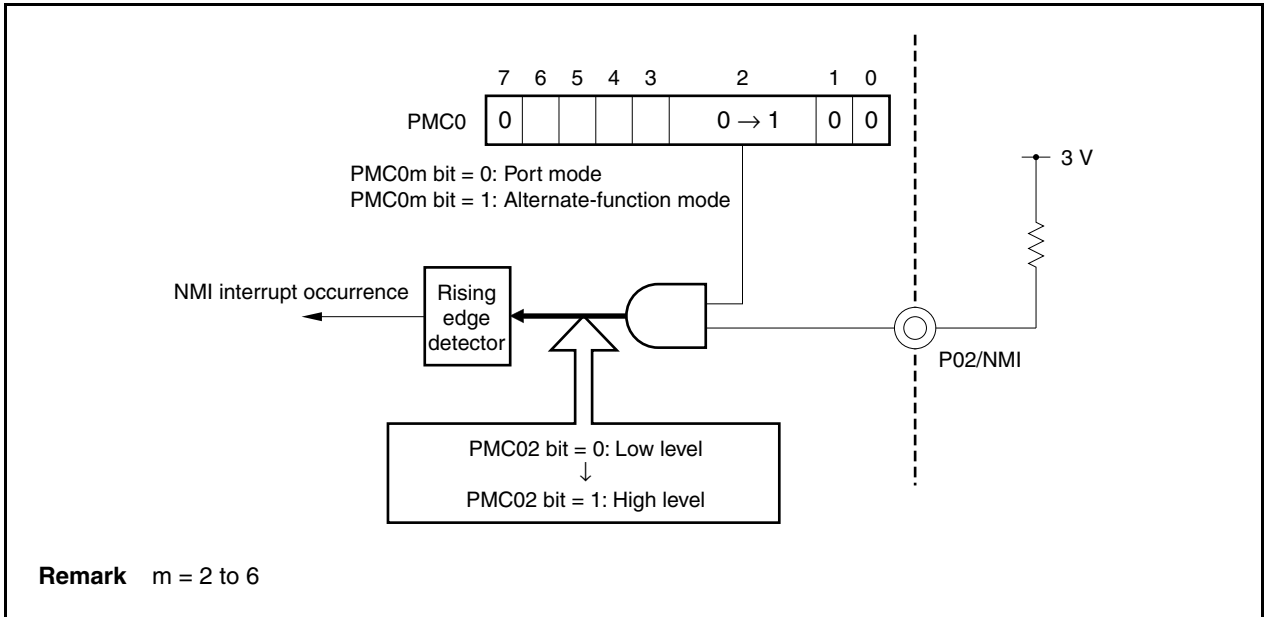
The concrete examples are shown as Example 1 and Example 2.

[Example 1] Switch from general-purpose port (P02) to external interrupt pin (NMI)

When the P02/NMI pin is pulled up as shown in Figure 4-40 and the rising edge is specified in the NMI pin edge detection setting, even though high level is input continuously to the NMI pin during switching from the P02 pin to the an NMI pin (PMC02 bit = 0 → 1), this is detected as a rising edge as if the low level changed to high level, and an NMI interrupt occurs.

To avoid it, set the NMI pin's valid edge after switching from the P02 pin to the NMI pin.

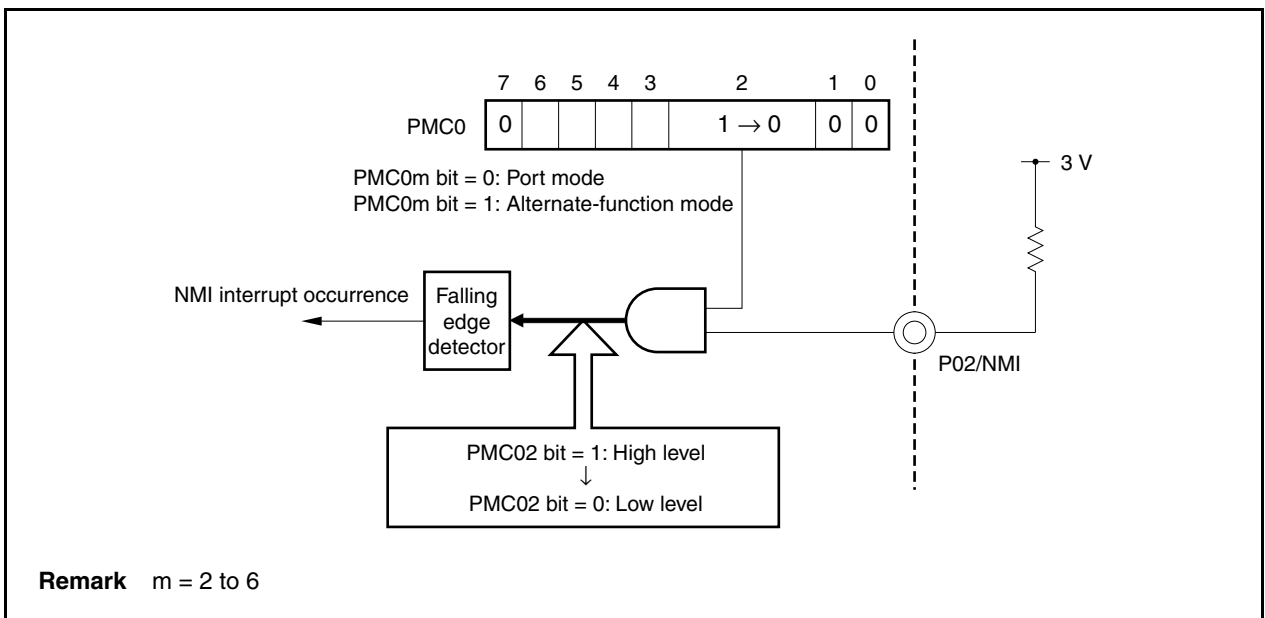
Figure 4-40. Example of Switching from P02 to NMI (Incorrect)



[Example 2] Switch from external pin (NMI) to general-purpose port (P02)

When the P02/NMI pin is pulled up as shown in Figure 4-41 and the falling edge is specified in the NMI pin edge detection setting, even though high level is input continuously to the NMI pin at switching from the NMI pin to the P02 pin (PMC02 bit = 1 → 0), this is detected as falling edge as if high level changed to low level, and NMI interrupt occurs. To avoid this, set the NMI pin edge detection as “No edge detected” before switching to the P02 pin.

Figure 4-41. Example of Switching from NMI to P02 (Incorrect)



(2) In port mode, the PFn.PFn<sub>m</sub> bit is valid only in the output mode (PMn.PMn<sub>m</sub> bit = 0). In the input mode (PMn<sub>m</sub> bit = 1), the value of the PFn<sub>m</sub> bit is not reflected in the buffer.

**4.6.2 Cautions on bit manipulation instruction for port n register (Pn)**

When a 1-bit manipulation instruction is executed on a port that provides both input and output functions, the value of the output latch of an input port that is not subject to manipulation may be written in addition to the targeted bit.

Therefore, it is recommended to rewrite the output latch when switching a port from input mode to output mode.

<Example> When P90 pin is an output port, P91 to P97 pins are input ports (all pin statuses are high level), and the value of the port latch is 00H, if the output of P90 pin is changed from low level to high level via a bit manipulation instruction, the value of the port latch is FFH.

Explanation: The targets of writing to and reading from the Pn register of a port whose PMnm bit is 1 are the output latch and pin status, respectively.

A bit manipulation instruction is executed in the following order in the V850ES/SG1.

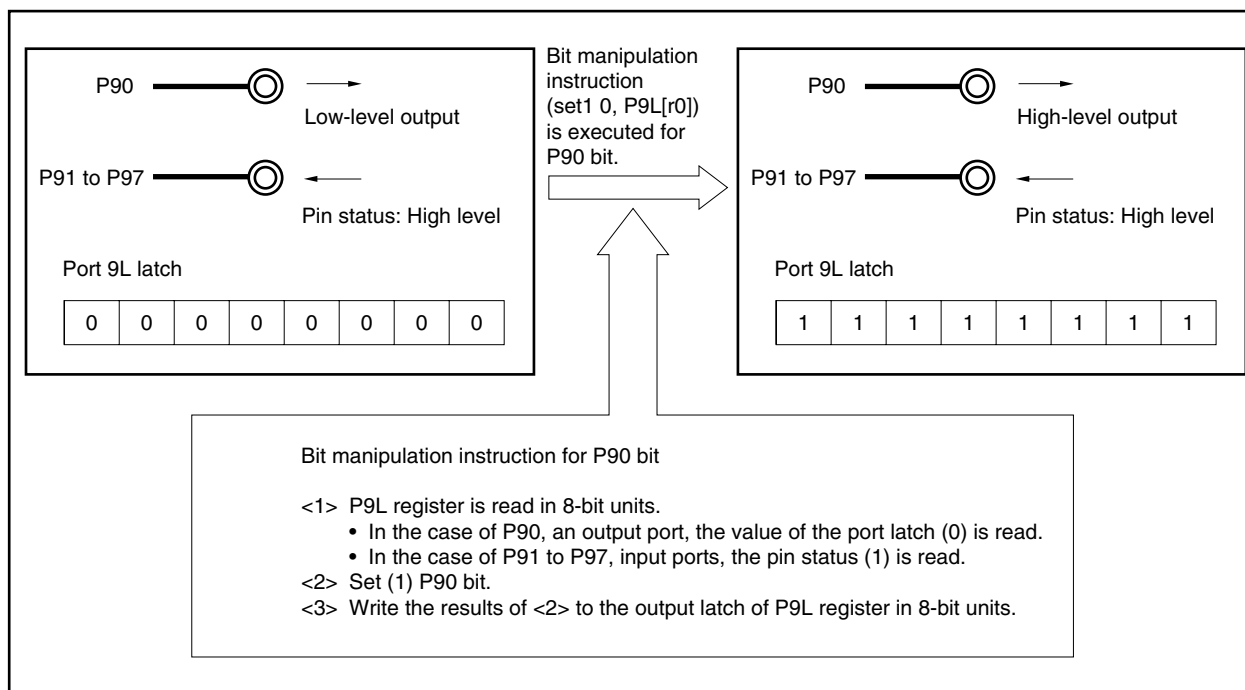
- <1> The Pn register is read in 8-bit units.
- <2> The targeted one bit is manipulated.
- <3> The Pn register is written in 8-bit units.

In step <1>, the value of the output latch (0) of P90 pin, which is an output port, is read, while the pin statuses of P91 to P97 pins, which are input ports, are read. If the pin statuses of P91 to P97 pins are high level at this time, the read value is FEH.

The value is changed to FFH by the manipulation in <2>.

FFH is written to the output latch by the manipulation in <3>.

**Figure 4-42. Bit Manipulation Instruction (P90 Pin)**



**4.6.3 Cautions on on-chip debug pins**

The V850ES/SG1 does not have an on-chip debug function. However, when using the V850ES/SG2 ( $\mu$ PD70F3261Y, 70F3271Y, 70F3281Y) as the flash memory version for developing software, the following actions are required.

- Clear the OCDM0 bit of the OCDM register (special register) (0)

At this time, fix the P05/INTP2 pin to low level from when reset by the  $\overline{\text{RESET}}$  pin is released until the above action is taken.

If a high level is input to the P05/INTP2 pin before the above action is taken, it may cause a malfunction (CPU deadlock). Handle the P05/INTP2 pin with the utmost care.

For details, refer to the **V850ES/SG2, V850ES/SG2-H Hardware User's Manual (U16541E)**.

**(1) On-chip debug mode register (OCDM)**

The OCDM register is used to select the normal operation mode or on-chip debug mode. This register is a special register and can be written only in a combination of specific sequences (see **3.4.8 Special registers**). This register can be read or written in 8-bit or 1-bit units.

After reset: 01H<sup>Note</sup>    R/W    Address: FFFF9FCH

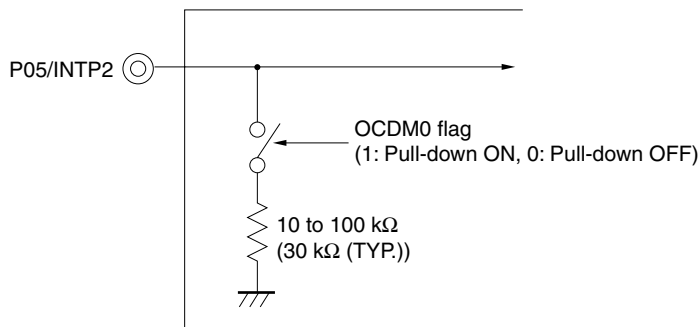
|      |   |   |   |   |   |   |   |       |
|------|---|---|---|---|---|---|---|-------|
|      | 7 | 6 | 5 | 4 | 3 | 2 | 1 | <0>   |
| OCDM | 0 | 0 | 0 | 0 | 0 | 0 | 0 | OCDM0 |

|       |                                                                  |
|-------|------------------------------------------------------------------|
| OCDM0 | Operation mode                                                   |
| 0     | Disconnects the on-chip pull-down resistor of the P05/INTP2 pin. |
| 1     | Connects the on-chip pull-down resistor of the P05/INTP2 pin.    |

**Note**  $\overline{\text{RESET}}$  input sets this register to 01H. After reset by the WDT2RES signal or clock monitor (CLM), however, the value of the OCDM register is retained.

**Caution** The V850ES/SG1 does not have an on-chip debug function but the P05/INTP2 pin has an on-chip pull-down resistor. With the V850ES/SG1, therefore, the on-chip pull-down resistor must be disconnected by clearing the OCDM0 bit to 0.



**4.6.4 Cautions on P10, P11, and P53 pins when power is turned on**

<R> The following pins may momentarily output an undefined level upon power application.

- P10/ANO0 pin
- P11/ANO1 pin
- P53/KR3 pin

**4.6.5 Hysteresis characteristics**

In port mode, the following port pins do not have hysteresis characteristics.

P02 to P06

<R> P31 to P35 and P37 to P39

P40 to P42

P50 to P55

<R> P90 to P97, P99, P910, and P912 to P915

**<R> 4.6.6 Cautions on separate bus mode**

Port 9 pins cannot be used as port pins or other alternate-function pins if even one of the A0 to A15 pins is used in the separate bus mode. After setting the PFC9 and PFCE9 registers to 0000H, therefore, set all 16 bits of the PMC9 register to FFFFH at once. If even one of the A0 to A15 pins is not used in the separate bus mode, port 9 pins can be used as port pins or other alternate-function pins.

## CHAPTER 5 BUS CONTROL FUNCTION

The V850ES/SG1 is provided with an external bus interface function by which external memories such as ROM and RAM, and I/O can be connected.

### 5.1 Features

- Output is selectable from a multiplexed bus with a minimum of 3 bus cycles and a separate bus with a minimum of 2 bus cycles.
- 8-bit/16-bit data bus selectable
- Wait function
  - Programmable wait function of up to 7 states
  - External wait function using  $\overline{\text{WAIT}}$  pin
- Idle state function
- Bus hold function
- Up to 4 MB of physical memory connectable
- The bus can be controlled at a voltage that is different from the operating voltage when  $BV_{DD} \leq EV_{DD} = V_{DD}$ . However, in separate bus mode or when the A20 and A21 pins are used, set  $BV_{DD} = EV_{DD} = V_{DD}$ .

<R>

## 5.2 Bus Control Pins

The pins used to connect an external device are listed in the table below.

**Table 5-1. Bus Control Pins (Multiplexed Bus)**

| Bus Control Pin                                | Alternate-Function Pin | I/O    | Function              |
|------------------------------------------------|------------------------|--------|-----------------------|
| AD0 to AD15                                    | PDL0 to PDL15          | I/O    | Address/data bus      |
| A16 to A21                                     | PDH0 to PDH5           | Output | Address bus           |
| $\overline{\text{WAIT}}$                       | PCM0                   | Input  | External wait control |
| CLKOUT                                         | PCM1                   | Output | Internal system clock |
| $\overline{\text{WR0}}, \overline{\text{WR1}}$ | PCT0, PCT1             | Output | Write strobe signal   |
| $\overline{\text{RD}}$                         | PCT4                   | Output | Read strobe signal    |
| ASTB                                           | PCT6                   | Output | Address strobe signal |
| HLD $\overline{\text{RQ}}$                     | PCM3                   | Input  | Bus hold control      |
| HLD $\overline{\text{AK}}$                     | PCM2                   | Output |                       |

**Table 5-2. External Control Pins (Separate Bus)**

| Bus Control Pin                                | Alternate-Function Pin | I/O    | Function              |
|------------------------------------------------|------------------------|--------|-----------------------|
| AD0 to AD15                                    | PDL0 to PDL15          | I/O    | Data bus              |
| A0 to A15                                      | P90 to P915            | Output | Address bus           |
| A16 to A21                                     | PDH0 to PDH5           | Output | Address bus           |
| $\overline{\text{WAIT}}$                       | PCM0                   | Input  | External wait control |
| CLKOUT                                         | PCM1                   | Output | Internal system clock |
| $\overline{\text{WR0}}, \overline{\text{WR1}}$ | PCT0, PCT1             | Output | Write strobe signal   |
| $\overline{\text{RD}}$                         | PCT4                   | Output | Read strobe signal    |
| HLD $\overline{\text{RQ}}$                     | PCM3                   | Input  | Bus hold control      |
| HLD $\overline{\text{AK}}$                     | PCM2                   | Output |                       |

### 5.2.1 Pin status when internal ROM, internal RAM, or on-chip peripheral I/O is accessed

When the internal ROM, internal RAM, or on-chip peripheral I/O are accessed, the status of each pin is as follows.

**Table 5-3. Pin Statuses When Internal ROM, Internal RAM, or On-Chip Peripheral I/O Is Accessed**

| Separate Bus Mode                                                                       |            | Multiplexed Bus Mode                                                                                 |            |
|-----------------------------------------------------------------------------------------|------------|------------------------------------------------------------------------------------------------------|------------|
| Address bus (A21 to A0)                                                                 | Undefined  | Address bus (A21 to A16)                                                                             | Undefined  |
| Data bus (AD15 to AD0)                                                                  | Hi-Z       | Address/data bus (AD15 to AD0)                                                                       | Undefined  |
| Control signal ( $\overline{\text{RD}}, \overline{\text{WR0}}, \overline{\text{WR1}}$ ) | High level | Control signal ( $\overline{\text{RD}}, \overline{\text{WR0}}, \overline{\text{WR1}}, \text{ASTB}$ ) | High level |

**Caution** When a write access is performed to the internal ROM area, address, data, and control signals are activated in the same way as access to the external memory area.

### 5.2.2 Pin status in each operation mode

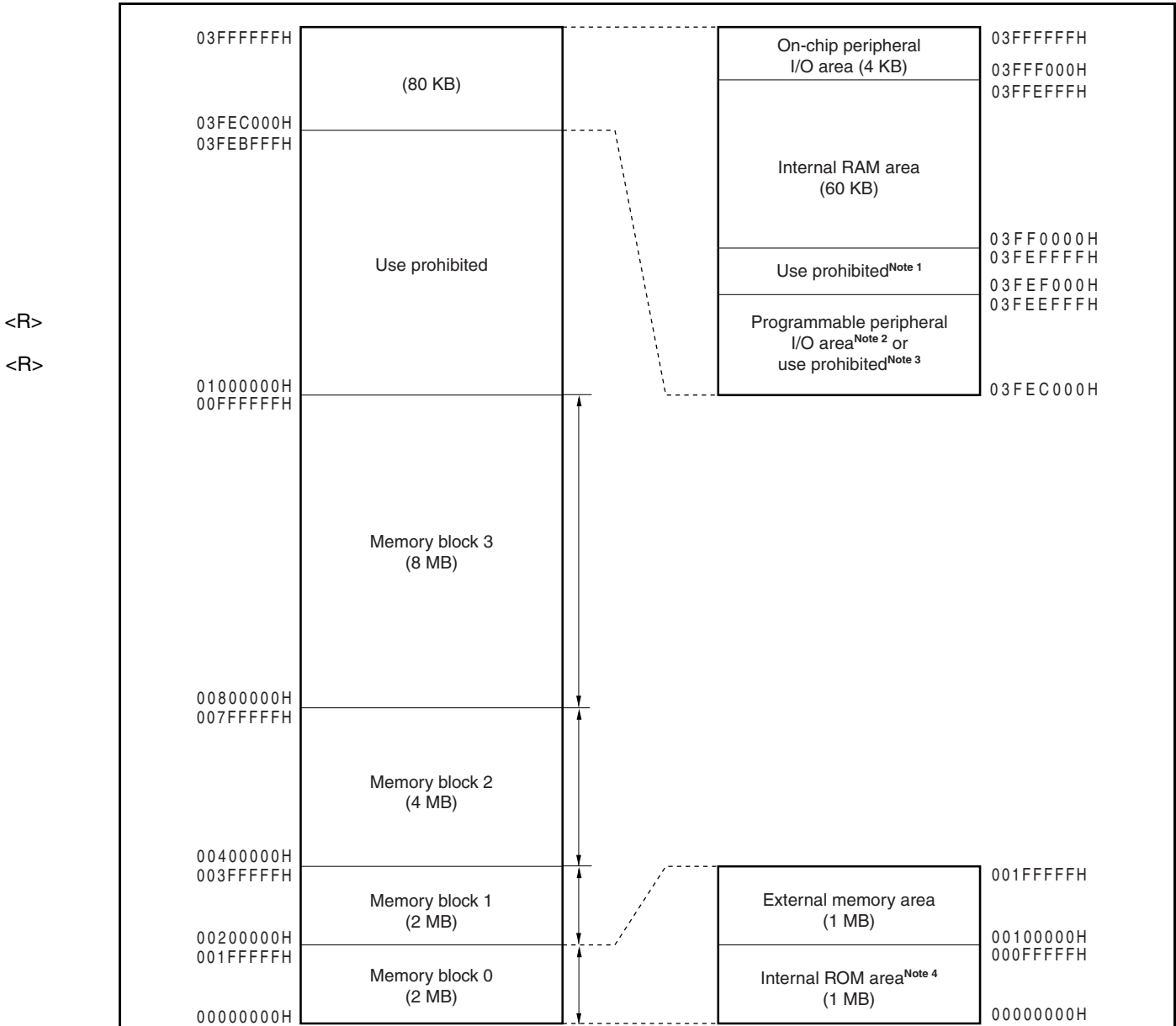
For the pin status of the V850ES/SG1 in each operation mode, see 2.2 Pin Status.



### 5.3 Memory Block Function

The 16 MB external memory space is divided into memory blocks of (lower) 2 MB, 2 MB, 4 MB, and 8 MB. The programmable wait function and bus cycle operation mode for each of these blocks can be independently controlled in one-block units.

Figure 5-1. Data Memory Map: Physical Address



- Notes 1.** Use of addresses 03FEF000H to 03FEFFFFH is prohibited because these addresses are in the same area as the on-chip peripheral I/O area.
- 2.** The programmable peripheral I/O area is only seen as images of 256 MB each in the 4 GB address space.
- 3.** Addresses 03FEC000H to 03FEEFFFFH are allocated to addresses 03FEC000H to 03FEC5FFH of the  $\mu$ PD703253Y as a programmable peripheral I/O area. Use of  $\mu$ PD703249Y and 703252Y are prohibited.
- 4.** This area is an external memory area in the case of a data write access.

## 5.4 External Bus Interface Mode Control Function

The V850ES/SG1 has the following two external bus interface modes.

- Multiplexed bus mode
- Separate bus mode

These two modes can be selected by using the EXIMC register.

### (1) External bus interface mode control register (EXIMC)

The EXIMC register can be read or written in 8-bit or 1-bit units.

Reset sets this register to 00H.

|                  |       |                      |                     |   |   |   |   |       |
|------------------|-------|----------------------|---------------------|---|---|---|---|-------|
| After reset: 00H |       | R/W                  | Address: FFFFFFFBEH |   |   |   |   |       |
|                  | 7     | 6                    | 5                   | 4 | 3 | 2 | 1 | 0     |
| EXIMC            | 0     | 0                    | 0                   | 0 | 0 | 0 | 0 | SMSEL |
|                  | SMSEL | Mode selection       |                     |   |   |   |   |       |
|                  | 0     | Multiplexed bus mode |                     |   |   |   |   |       |
|                  | 1     | Separate bus mode    |                     |   |   |   |   |       |

**Caution** Set the EXIMC register from the internal ROM or internal RAM area before making an external access.

After setting the EXIMC register, be sure to insert a NOP instruction.

## 5.5 Bus Access

### 5.5.1 Number of clocks for access

The following table shows the number of basic clocks required for accessing each resource.

| Area (Bus Width) / Bus Cycle Type | Internal ROM (32 Bits) | Internal RAM (32 Bits) | External Memory (16 Bits) |
|-----------------------------------|------------------------|------------------------|---------------------------|
| Instruction fetch (normal access) | 1                      | 1 <sup>Note 1</sup>    | 3 + n <sup>Note 2</sup>   |
| Instruction fetch (branch)        | 2                      | 2 <sup>Note 1</sup>    | 3 + n <sup>Note 2</sup>   |
| Operand data access               | 3                      | 1                      | 3 + n <sup>Note 2</sup>   |

**Notes 1.** Increases by 1 if a conflict with a data access occurs.

**2.** 2 + n clocks (n: Number of wait states) when the separate bus mode is selected.

**Remark** Unit: Clocks/access

### 5.5.2 Bus size setting function

Each external memory area selected by memory block n can be set by using the BSC register. However, the bus size can be set to 8 bits and 16 bits only.

The external memory area of the V850ES/SG1 is selected by memory blocks 0 to 3.

#### (1) Bus size configuration register (BSC)

The BSC register can be read or written in 16-bit units.

Reset sets this register to 5555H.

**Caution** Write to the BSC register after reset, and then do not change the set values. Also, do not access an external memory area until the initial settings of the BSC register are complete.

After reset: 5555H    R/W    Address: FFFFF066H

|     |                |      |                |      |                |      |                |      |
|-----|----------------|------|----------------|------|----------------|------|----------------|------|
|     | 15             | 14   | 13             | 12   | 11             | 10   | 9              | 8    |
| BSC | 0              | 1    | 0              | 1    | 0              | 1    | 0              | 1    |
|     | 7              | 6    | 5              | 4    | 3              | 2    | 1              | 0    |
|     | 0              | BS30 | 0              | BS20 | 0              | BS10 | 0              | BS00 |
|     | Memory block 3 |      | Memory block 2 |      | Memory block 1 |      | Memory block 0 |      |

|      |                                                     |
|------|-----------------------------------------------------|
| BSn0 | Data bus width of memory block n space (n = 0 to 3) |
| 0    | 8 bits                                              |
| 1    | 16 bits                                             |

**Caution** Be sure to set bits 14, 12, 10, and 8 to “1”, and clear bits 15, 13, 11, 9, 7, 5, 3, and 1 to “0”.

### 5.5.3 Access by bus size

The V850ES/SG1 accesses the on-chip peripheral I/O and external memory in 8-bit, 16-bit, or 32-bit units. The bus size is as follows.

- The bus size of the on-chip peripheral I/O is fixed to 16 bits.
- The bus size of the external memory is selectable from 8 bits or 16 bits (by using the BSC register).

The operation when each of the above is accessed is described below. All data is accessed starting from the lower side.

The V850ES/SG1 supports only the little-endian format.

**Figure 5-2. Little-Endian Address in Word**

|       |       |       |       |   |
|-------|-------|-------|-------|---|
| 31    | 24 23 | 16 15 | 8 7   | 0 |
| 000BH | 000AH | 0009H | 0008H |   |
| 0007H | 0006H | 0005H | 0004H |   |
| 0003H | 0002H | 0001H | 0000H |   |

#### (1) Data space

The V850ES/SG1 has an address misalign function.

With this function, data can be placed at all addresses, regardless of the format of the data (word data or halfword data). However, if the word data or halfword data is not aligned at the boundary, a bus cycle is generated at least twice, causing the bus efficiency to drop.

##### (a) Halfword-length data access

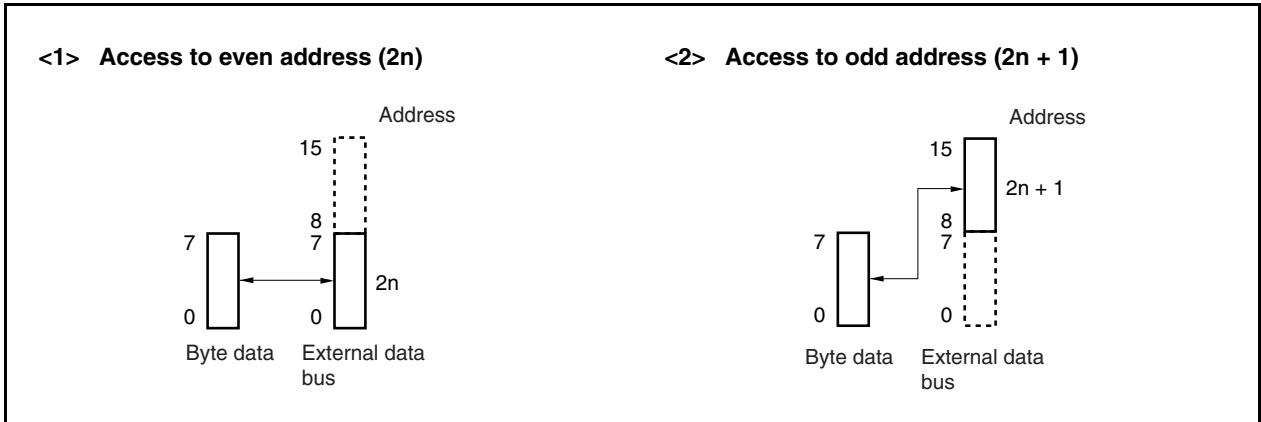
A byte-length bus cycle is generated twice if the least significant bit of the address is 1.

##### (b) Word-length data access

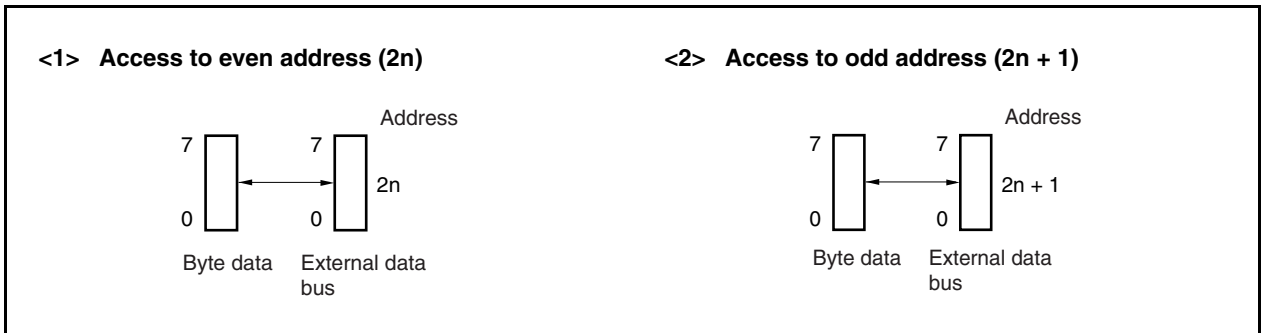
- (i) A byte-length bus cycle, halfword-length bus cycle, and byte-length bus cycle are generated in that order if the least significant bit of the address is 1.
- (ii) A halfword-length bus cycle is generated twice if the lower 2 bits of the address are 10.

(2) Byte access (8 bits)

(a) 16-bit data bus width

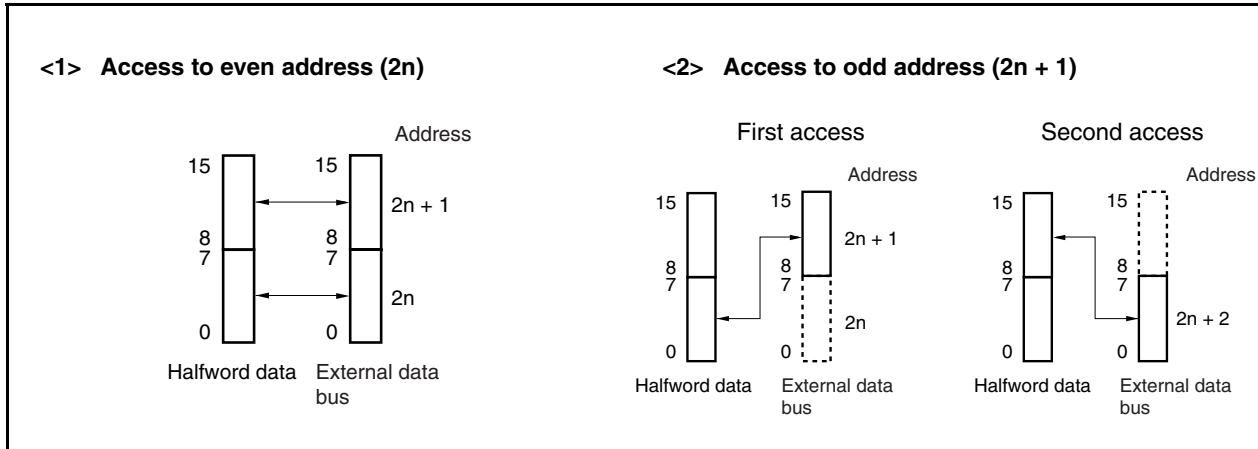


(b) 8-bit data bus width

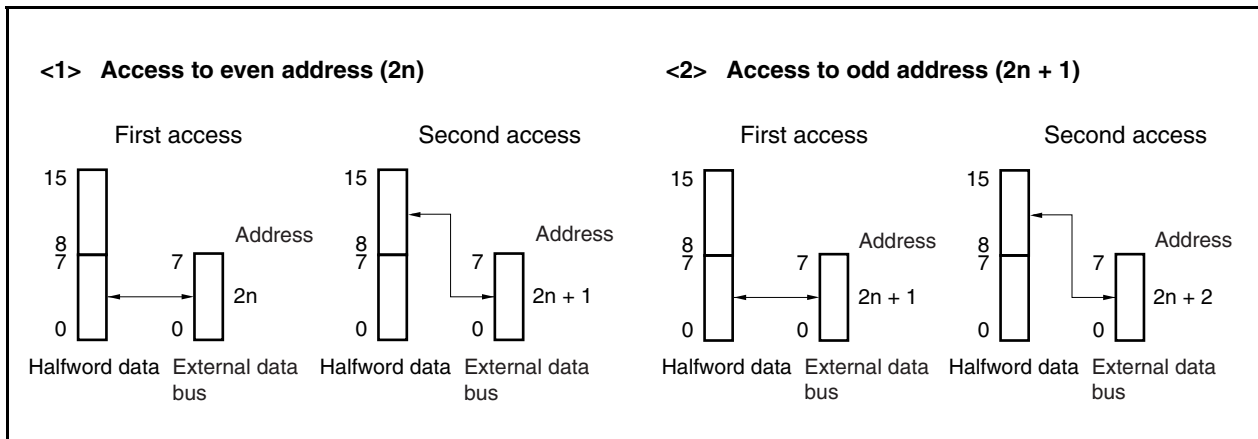


(3) Halfword access (16 bits)

(a) With 16-bit data bus width

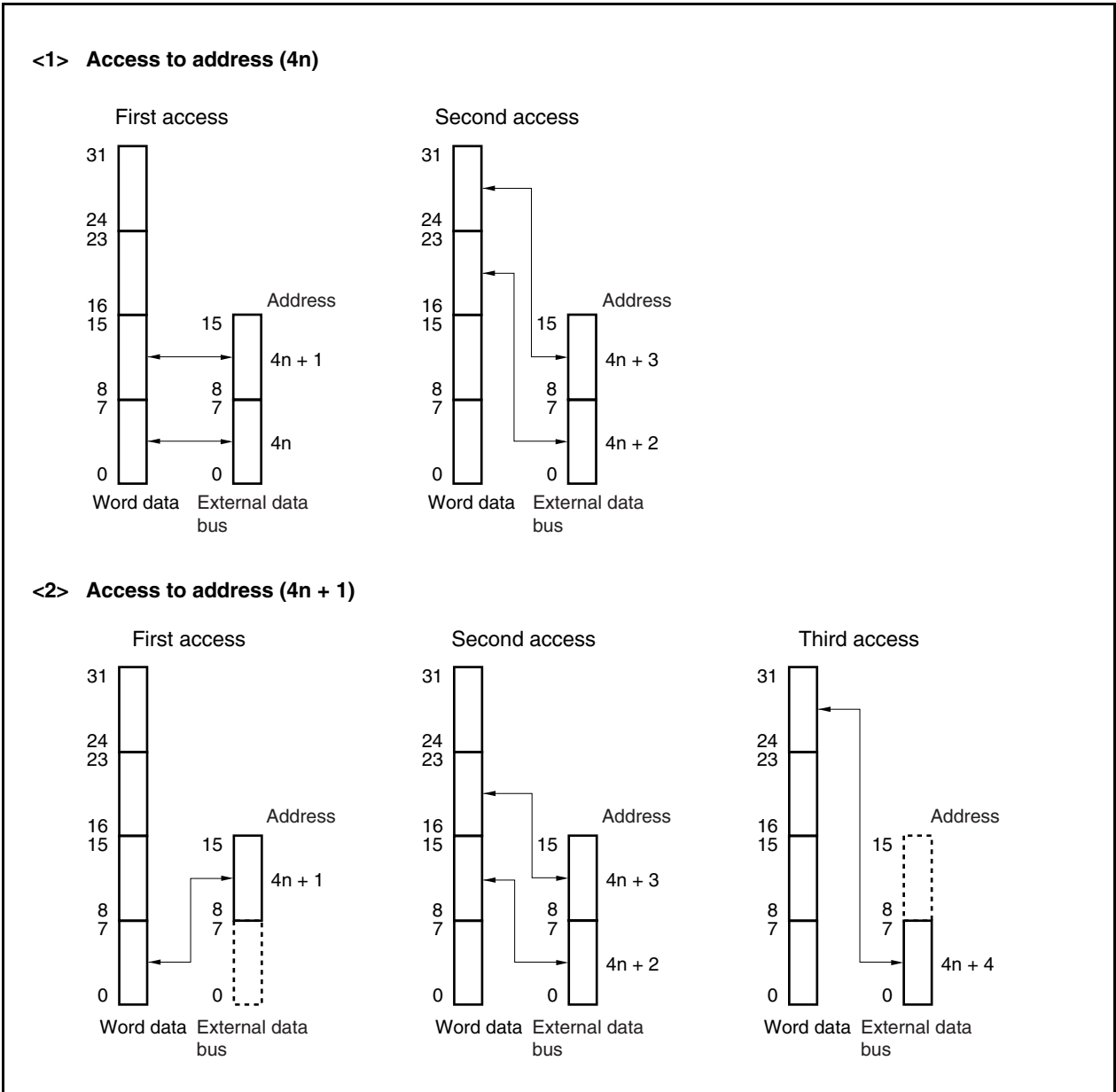


(b) 8-bit data bus width



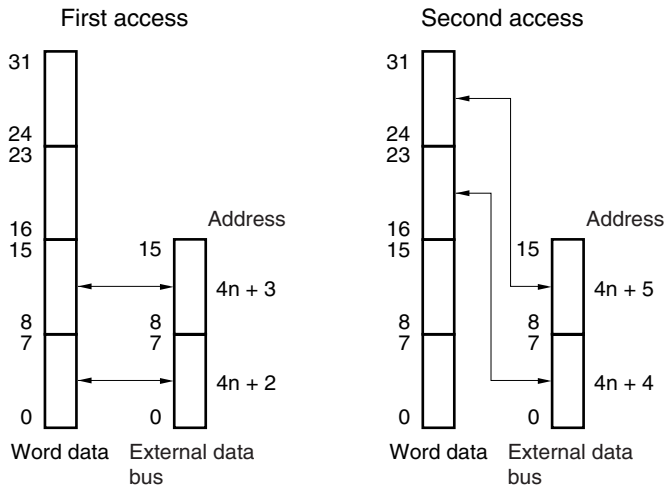
(4) Word access (32 bits)

(a) 16-bit data bus width (1/2)

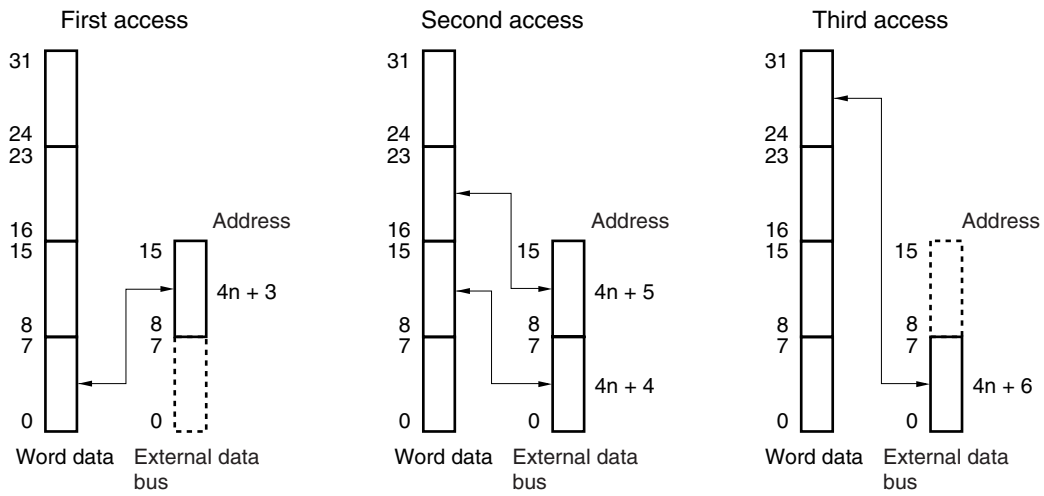


(a) 16-bit data bus width (2/2)

<3> Access to address ( $4n + 2$ )

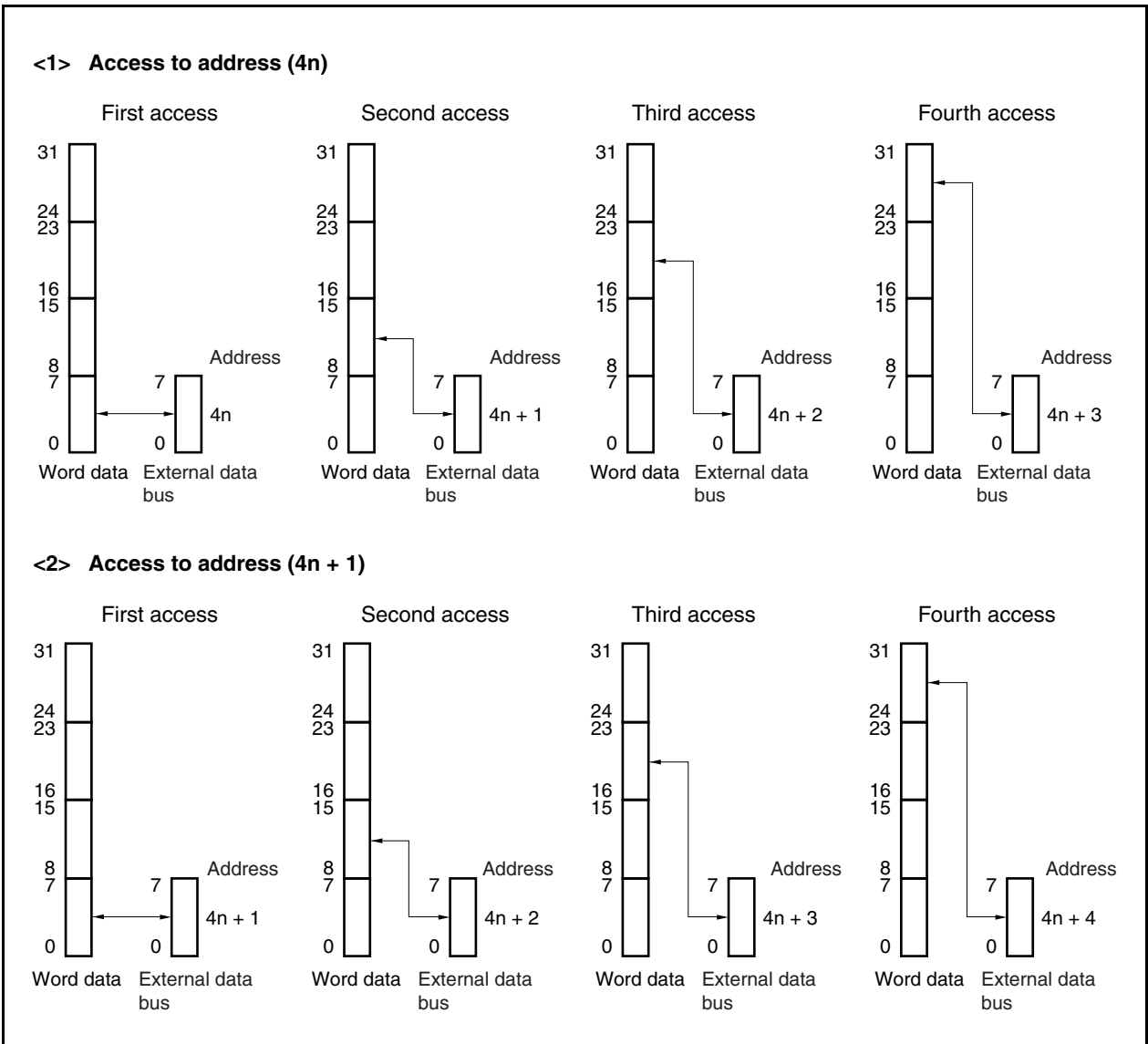


<4> Access to address ( $4n + 3$ )



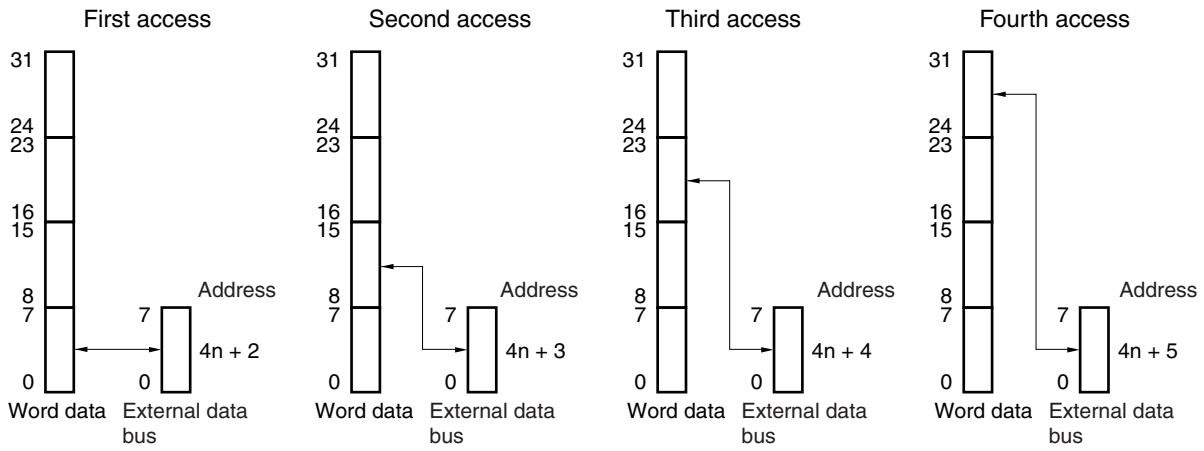


(b) 8-bit data bus width (1/2)

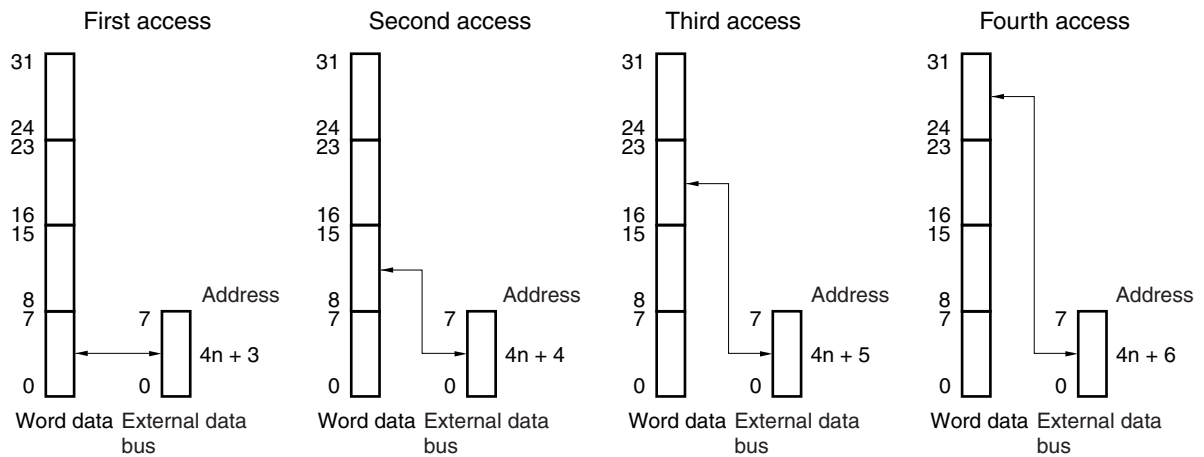


(b) 8-bit data bus width (2/2)

<3> Access to address (4n + 2)



<4> Access to address (4n + 3)



## 5.6 Wait Function

### 5.6.1 Programmable wait function

#### (1) Data wait control register 0 (DWC0)

To realize interfacing with a low-speed memory or I/O, up to seven data wait states can be inserted in the bus cycle that is executed for each memory block space.

The number of wait states can be programmed by using the DWC0 register. Immediately after system reset, 7 data wait states are inserted for all the blocks.

The DWC0 register can be read or written in 16-bit units.

Reset sets this register to 7777H.

- Cautions 1.** The internal ROM and internal RAM areas are not subject to programmable wait, and are always accessed without a wait state. The on-chip peripheral I/O area is also not subject to programmable wait, and only wait control from each peripheral function is performed.
- 2.** Write to the DWC0 register after reset, and then do not change the set values. Also, do not access an external memory area until the initial settings of the DWC0 register are complete.

After reset: 7777H    R/W    Address: FFFFF484H

|      |                |      |      |      |                |      |      |      |
|------|----------------|------|------|------|----------------|------|------|------|
|      | 15             | 14   | 13   | 12   | 11             | 10   | 9    | 8    |
| DWC0 | 0              | DW32 | DW31 | DW30 | 0              | DW22 | DW21 | DW20 |
|      | Memory block 3 |      |      |      | Memory block 2 |      |      |      |
|      | 7              | 6    | 5    | 4    | 3              | 2    | 1    | 0    |
|      | 0              | DW12 | DW11 | DW10 | 0              | DW02 | DW01 | DW00 |
|      | Memory block 1 |      |      |      | Memory block 0 |      |      |      |

| DWn2 | DWn1 | DWn0 | Number of wait states inserted in memory block n space (n = 0 to 3) |
|------|------|------|---------------------------------------------------------------------|
| 0    | 0    | 0    | None                                                                |
| 0    | 0    | 1    | 1                                                                   |
| 0    | 1    | 0    | 2                                                                   |
| 0    | 1    | 1    | 3                                                                   |
| 1    | 0    | 0    | 4                                                                   |
| 1    | 0    | 1    | 5                                                                   |
| 1    | 1    | 0    | 6                                                                   |
| 1    | 1    | 1    | 7                                                                   |

**Caution** Be sure to clear bits 15, 11, 7, and 3 to "0".

### 5.6.2 External wait function

To synchronize an extremely slow external memory, I/O, or asynchronous system, any number of wait states can be inserted in the bus cycle by using the external wait pin ( $\overline{\text{WAIT}}$ ).

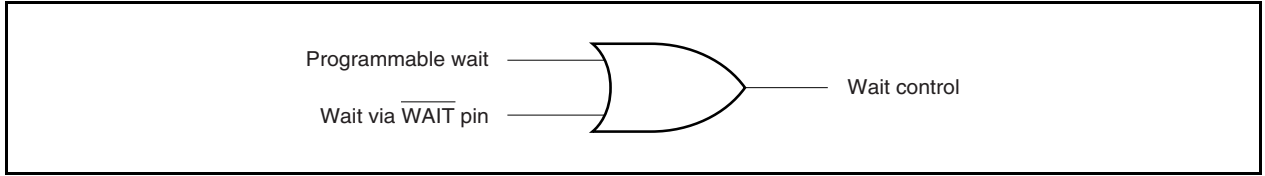
When the PCMO pin is set to alternate function, the external wait function is enabled.

Access to each area of the internal ROM, internal RAM, and on-chip peripheral I/O is not subject to control by the external wait function, in the same manner as the programmable wait function.

The  $\overline{\text{WAIT}}$  signal can be input asynchronously to CLKOUT, and is sampled at the falling edge of the clock in the T2 and TW states of the bus cycle in the multiplexed bus mode. In the separate bus mode, it is sampled at the rising edge of the clock immediately after the T1 and TW states of the bus cycle. If the setup/hold time of the sampling timing is not satisfied, a wait state is inserted in the next state, or not inserted at all.

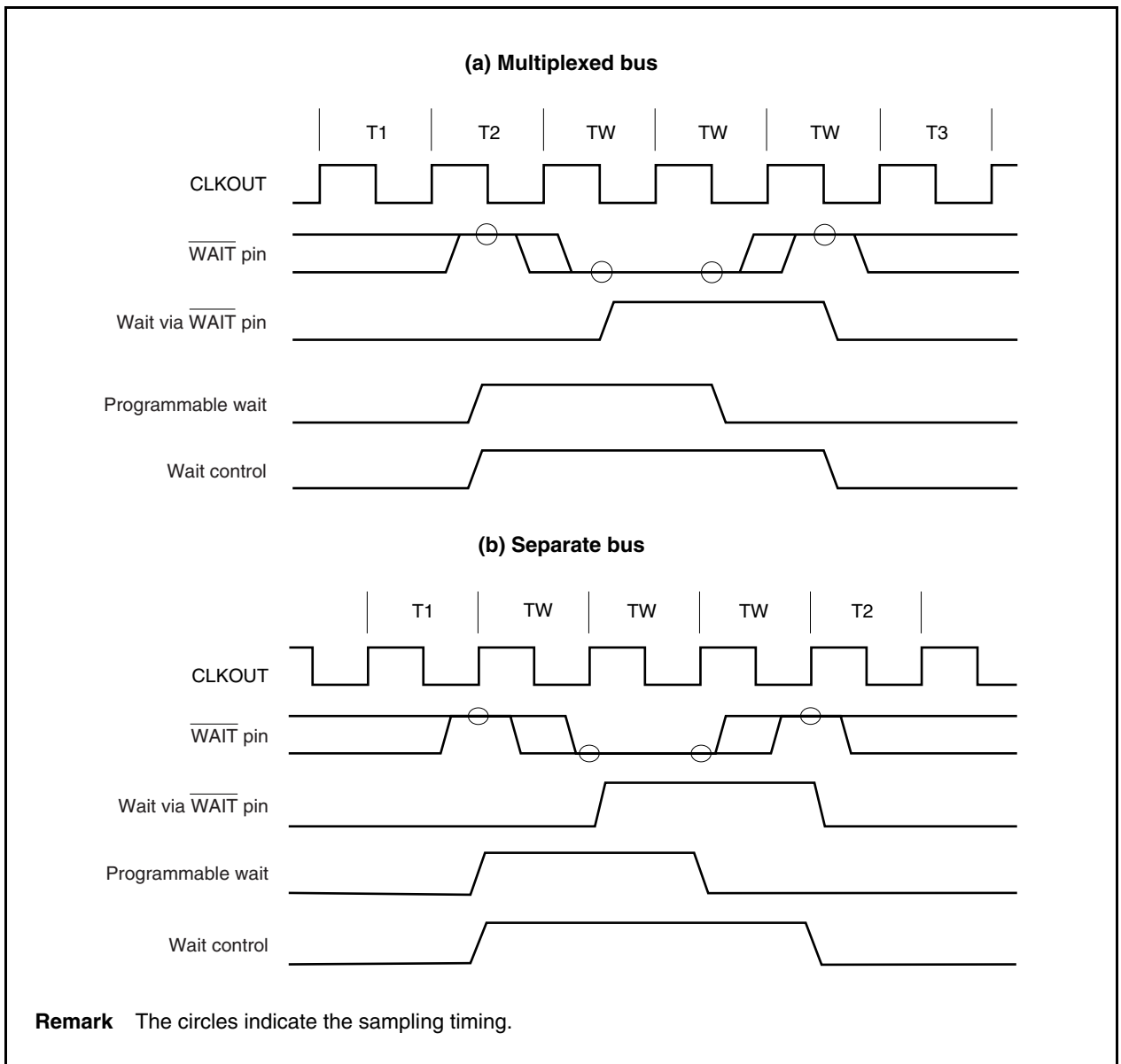
**5.6.3 Relationship between programmable wait and external wait**

Wait cycles are inserted as the result of an OR operation between the wait cycles specified by the set value of the programmable wait and the wait cycles controlled by the  $\overline{\text{WAIT}}$  pin.



For example, if the timing of the programmable wait and the  $\overline{\text{WAIT}}$  pin signal is as illustrated below, three wait states will be inserted in the bus cycle.

**Figure 5-3. Inserting Wait Example**



**5.6.4 Programmable address wait function**

Address-setup or address-hold waits to be inserted in each bus cycle can be set by using the AWC register. Address wait insertion is set for each memory block area (memory blocks 0 to 3).

If an address setup wait is inserted, it seems that the high-clock period of the T1 state is extended by 1 clock. If an address hold wait is inserted, it seems that the low-clock period of the T1 state is extended by 1 clock.

**(1) Address wait control register (AWC)**

The AWC register can be read or written in 16-bit units.

Reset sets this register to FFFFH.

- Cautions**
1. Address setup wait and address hold wait cycles are not inserted when the internal ROM area, internal RAM area, and on-chip peripheral I/O areas are accessed.
  2. Write to the AWC register after reset, and then do not change the set values. Also, do not access an external memory area until the initial settings of the AWC register are complete.

After reset: FFFFH    R/W    Address: FFFFF488H

|     |                |      |                |      |                |      |                |      |
|-----|----------------|------|----------------|------|----------------|------|----------------|------|
|     | 15             | 14   | 13             | 12   | 11             | 10   | 9              | 8    |
| AWC | 1              | 1    | 1              | 1    | 1              | 1    | 1              | 1    |
|     | 7              | 6    | 5              | 4    | 3              | 2    | 1              | 0    |
|     | AHW3           | ASW3 | AHW2           | ASW2 | AHW1           | ASW1 | AHW0           | ASW0 |
|     | Memory block 3 |      | Memory block 2 |      | Memory block 1 |      | Memory block 0 |      |

|      |                                                       |
|------|-------------------------------------------------------|
| AHWn | Specifies insertion of address hold wait (n = 0 to 3) |
| 0    | Not inserted                                          |
| 1    | Inserted                                              |

|      |                                                        |
|------|--------------------------------------------------------|
| ASWn | Specifies insertion of address setup wait (n = 0 to 3) |
| 0    | Not inserted                                           |
| 1    | Inserted                                               |

**Caution** Be sure to set bits 15 to 8 to “1”.

### 5.7 Idle State Insertion Function

To facilitate interfacing with low-speed memories, one idle state (TI) can be inserted after the T3 state in the bus cycle that is executed for each space selected by the memory block in the multiplex address/data bus mode. In the separate bus mode, one idle state (TI) can be inserted after the T2 state. By inserting an idle state, the data output float delay time of the memory can be secured during read access (an idle state cannot be inserted during write access).

Whether the idle state is to be inserted can be programmed by using the BCC register.

An idle state is inserted for all the areas immediately after system reset.

#### (1) Bus cycle control register (BCC)

The BCC register can be read or written in 16-bit units.

Reset sets this register to AAAAH.

**Cautions 1. The internal ROM, internal RAM, and on-chip peripheral I/O areas are not subject to idle state insertion.**

**2. Write to the BCC register after reset, and then do not change the set values. Also, do not access an external memory area until the initial settings of the BCC register are complete.**

|                    |                                                |     |                    |    |                |    |                |   |
|--------------------|------------------------------------------------|-----|--------------------|----|----------------|----|----------------|---|
| After reset: AAAAH |                                                | R/W | Address: FFFFF48AH |    |                |    |                |   |
|                    | 15                                             | 14  | 13                 | 12 | 11             | 10 | 9              | 8 |
| BCC                | 1                                              | 0   | 1                  | 0  | 1              | 0  | 1              | 0 |
|                    | 7                                              | 6   | 5                  | 4  | 3              | 2  | 1              | 0 |
|                    | BC31                                           | 0   | BC21               | 0  | BC11           | 0  | BC01           | 0 |
|                    | Memory block 3                                 |     | Memory block 2     |    | Memory block 1 |    | Memory block 0 |   |
| BCn1               | Specifies insertion of idle state (n = 0 to 3) |     |                    |    |                |    |                |   |
| 0                  | Not inserted                                   |     |                    |    |                |    |                |   |
| 1                  | Inserted                                       |     |                    |    |                |    |                |   |

**Caution** Be sure to set bits 15, 13, 11, and 9 to “1”, and clear bits 14, 12, 10, 8, 6, 4, 2, and 0 to “0”.

## 5.8 Bus Hold Function

### 5.8.1 Functional outline

The  $\overline{\text{HLDRQ}}$  and  $\overline{\text{HLDK}}$  functions are valid if the PCM2 and PCM3 pins are set to alternate function.

When the  $\overline{\text{HLDRQ}}$  pin is asserted (low level), indicating that another bus master has requested bus mastership, the external address/data bus goes into a high-impedance state and is released (bus hold status). If the request for the bus mastership is cleared and the  $\overline{\text{HLDRQ}}$  pin is deasserted (high level), driving these pins is started again.

During the bus hold period, execution of the program in the internal ROM and internal RAM is continued until an on-chip peripheral I/O register or the external memory is accessed.

The bus hold status is indicated by assertion of the  $\overline{\text{HLDK}}$  pin (low level). The bus hold function enables the configuration of multi-processor type systems in which two or more bus masters exist.

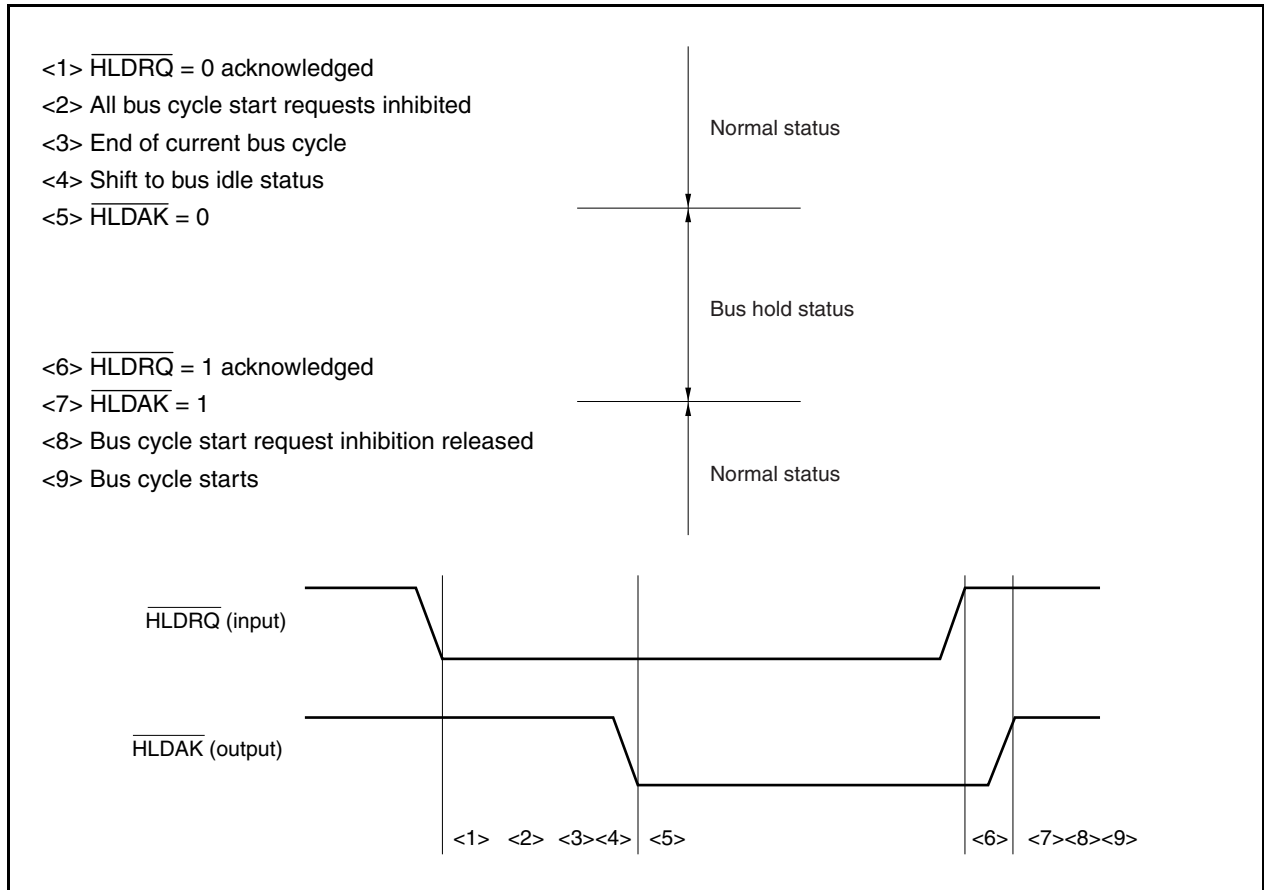
Note that the bus hold request is not acknowledged during a multiple-access cycle initiated by the bus sizing function or a bit manipulation instruction.

| Status                                                   | Data Bus Width | Access Type                    | Timing at Which Bus Hold Request Is Not Acknowledged               |
|----------------------------------------------------------|----------------|--------------------------------|--------------------------------------------------------------------|
| CPU bus lock                                             | 16 bits        | Word access to even address    | Between first and second access                                    |
|                                                          |                | Word access to odd address     | Between first and second access<br>Between second and third access |
|                                                          |                | Halfword access to odd address | Between first and second access                                    |
|                                                          | 8 bits         | Word access                    | Between first and second access                                    |
|                                                          |                |                                | Between second and third access                                    |
|                                                          |                |                                | Between third and fourth access                                    |
|                                                          |                | Halfword access                | Between first and second access                                    |
| Read-modify-write access of bit manipulation instruction | –              | –                              | Between read access and write access                               |



### 5.8.2 Bus hold procedure

The bus hold status transition procedure is shown below.



### 5.8.3 Operation in power save mode

Because the internal system clock is stopped in the STOP, IDLE1, and IDLE2 modes, the bus hold status is not entered even if the  $\overline{\text{HLDQRQ}}$  pin is asserted.

In the HALT mode, the  $\overline{\text{HLDARQ}}$  pin is asserted as soon as the  $\overline{\text{HLDQRQ}}$  pin has been asserted, and the bus hold status is entered. When the  $\overline{\text{HLDQRQ}}$  pin is later deasserted, the  $\overline{\text{HLDARQ}}$  pin is also deasserted, and the bus hold status is cleared.

### 5.9 Bus Priority

<R> Bus hold, DMA transfer<sup>Note</sup>, operand data accesses, instruction fetch (branch), and instruction fetch (successive) are executed in the external bus cycle.

<R> Bus hold has the highest priority, followed by DMA transfer<sup>Note</sup>, operand data access, instruction fetch (branch), and instruction fetch (successive).

An instruction fetch may be inserted between the read access and write access in a read-modify-write access.

If an instruction is executed for two or more accesses, an instruction fetch and bus hold are not inserted between accesses due to bus size limitations.

<R> **Note**  $\mu$ PD703253Y only

**Table 5-4. Bus Priority**

| Priority              | External Bus Cycle             | Bus Master      |
|-----------------------|--------------------------------|-----------------|
| High<br>↑<br>↓<br>Low | Bus hold                       | External device |
|                       | DMA transfer <sup>Note</sup>   | DMAC            |
|                       | Operand data access            | CPU             |
|                       | Instruction fetch (branch)     | CPU             |
|                       | Instruction fetch (successive) | CPU             |

<R>

<R>

**Note**  $\mu$ PD703253Y only

5.10 Bus Timing

Figure 5-4. Multiplexed Bus Read Timing (Bus Size: 16 Bits, 16-Bit Access)

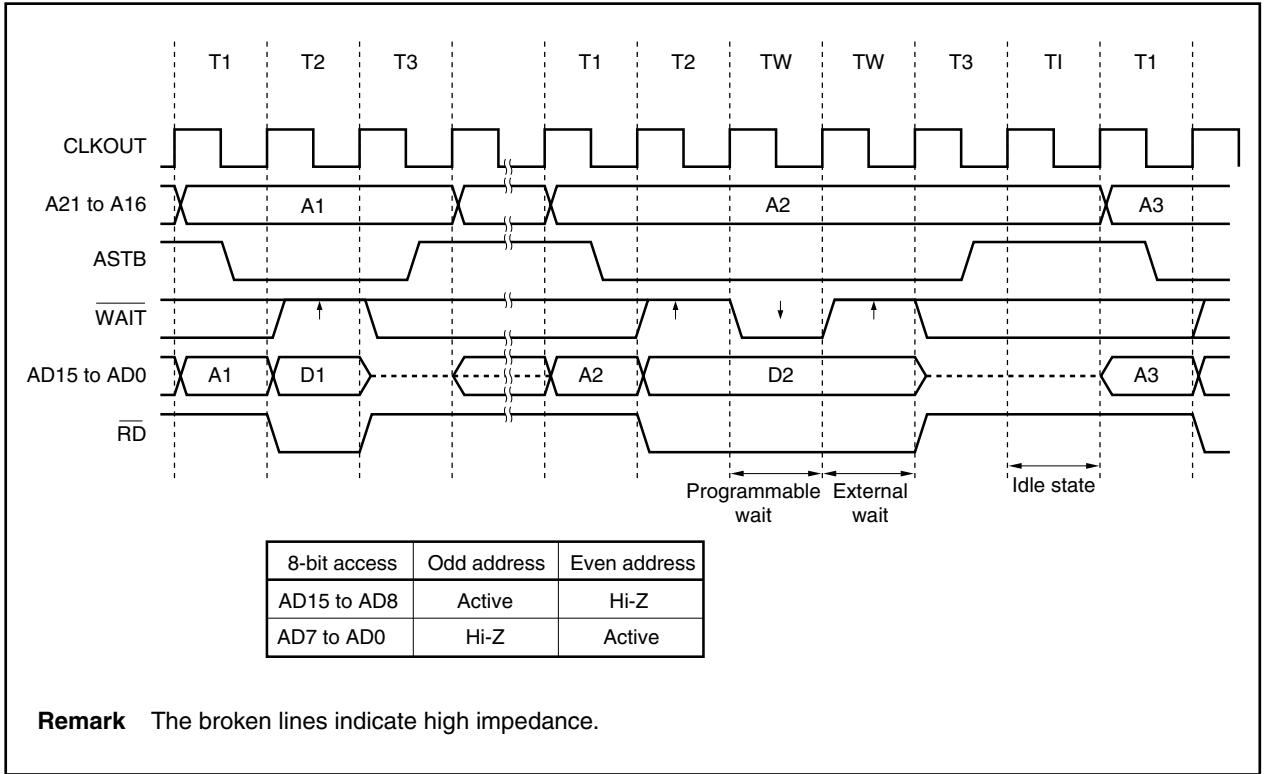


Figure 5-5. Multiplexed Bus Read Timing (Bus Size: 8 Bits)

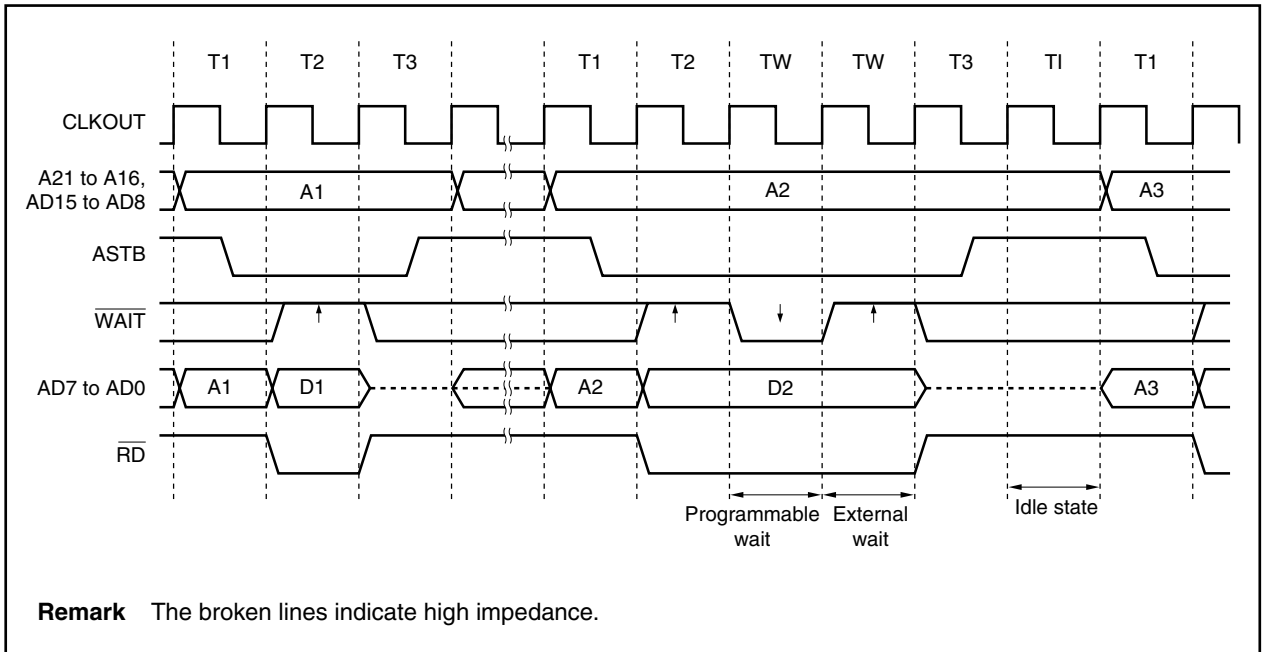


Figure 5-6. Multiplexed Bus Write Timing (Bus Size: 16 Bits, 16-Bit Access)

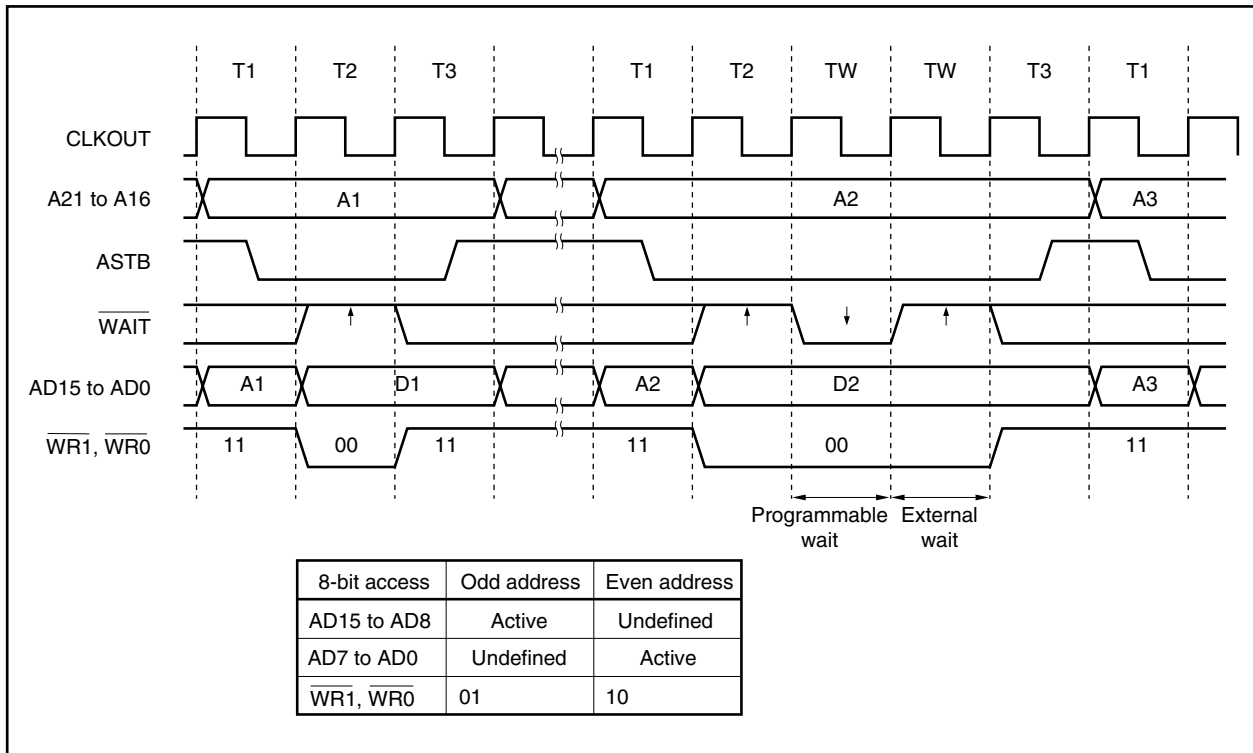


Figure 5-7. Multiplexed Bus Write Timing (Bus Size: 8 Bits)

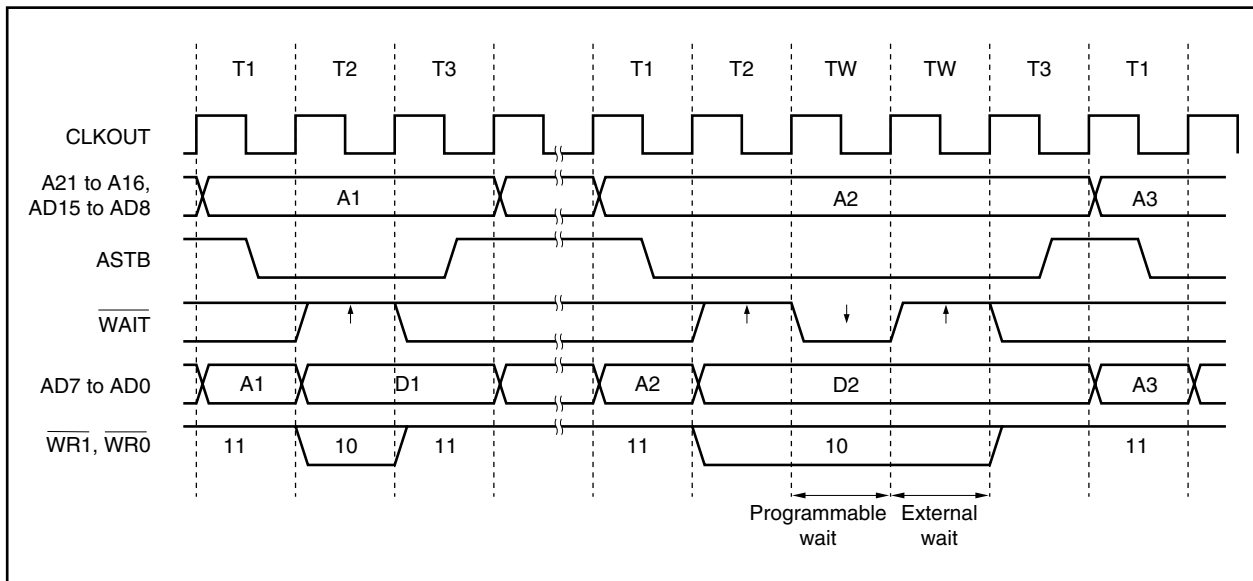


Figure 5-8. Multiplexed Bus Hold Timing (Bus Size: 16 Bits, 16-Bit Access)

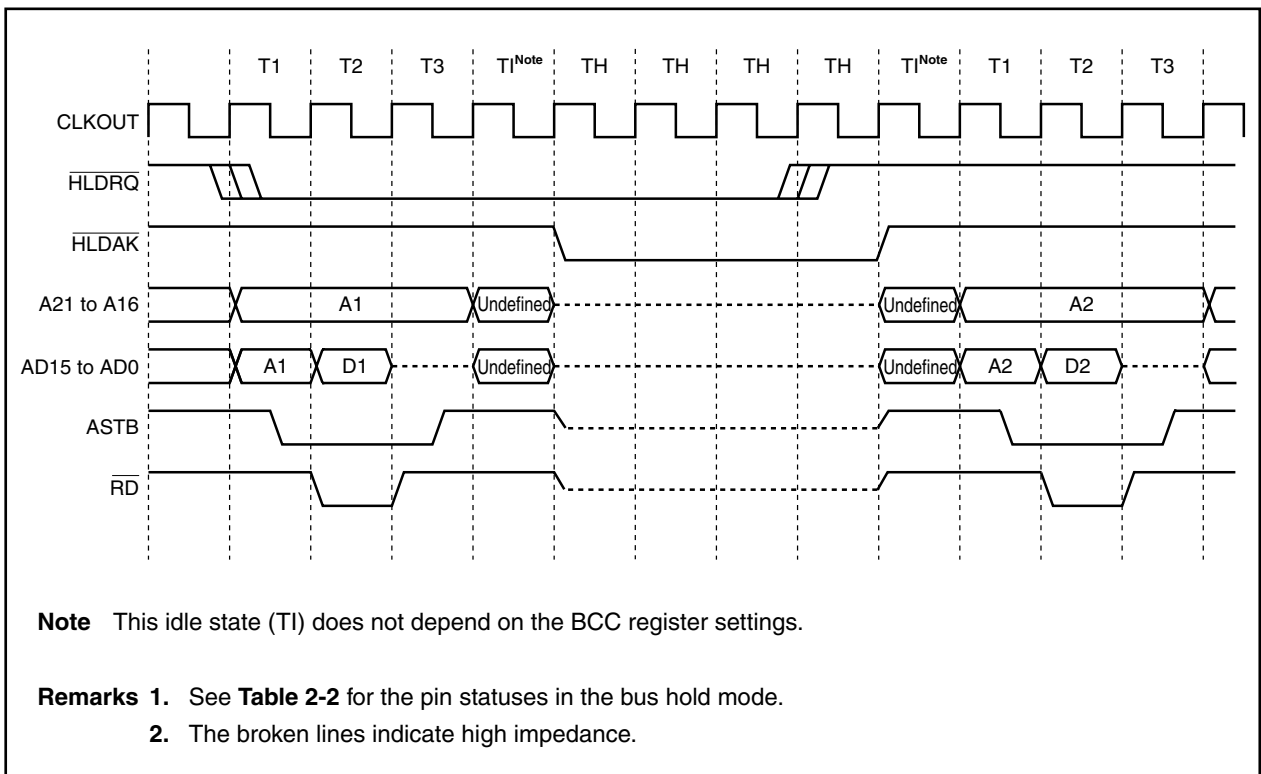


Figure 5-9. Separate Bus Read Timing (Bus Size: 16 Bits, 16-Bit Access)

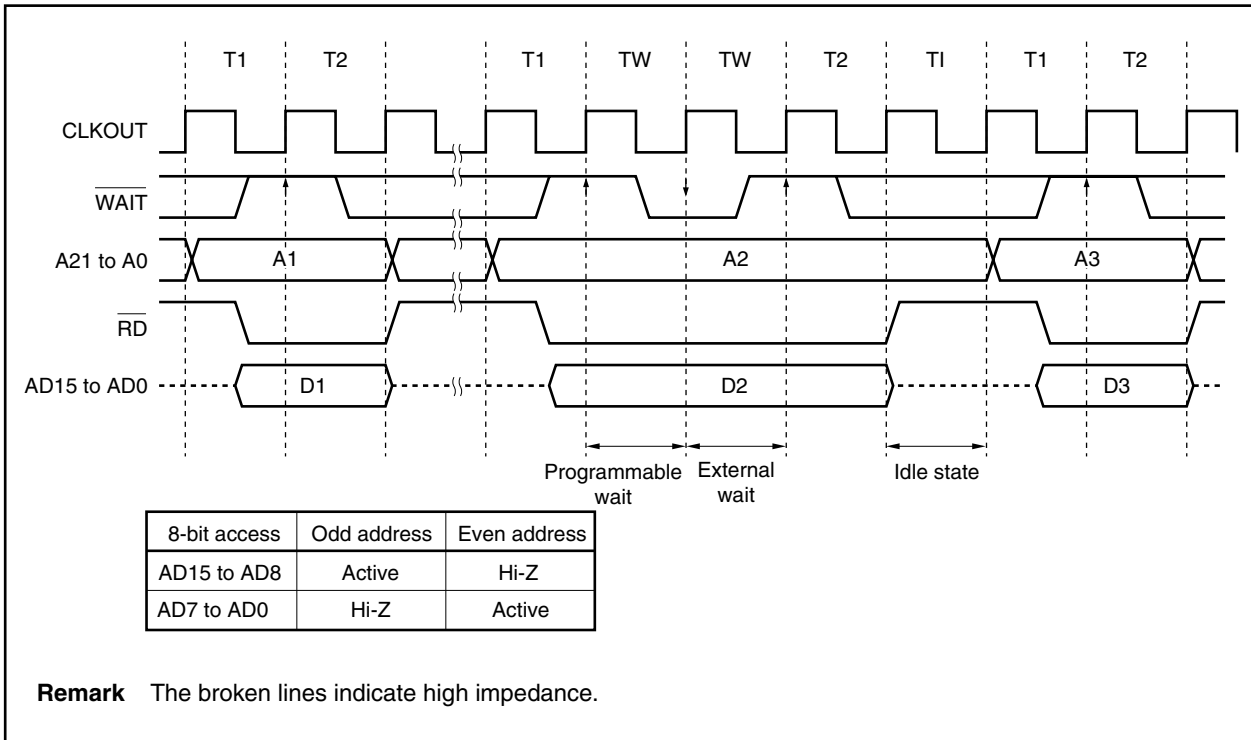


Figure 5-10. Separate Bus Read Timing (Bus Size: 8 Bits)

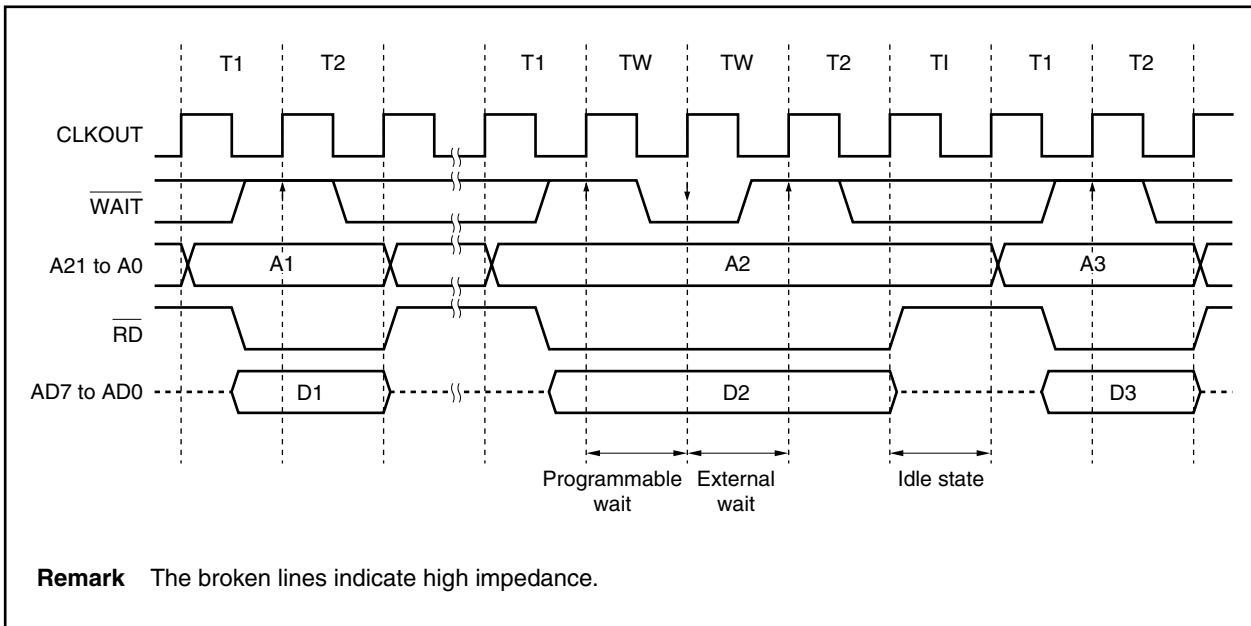


Figure 5-11. Separate Bus Write Timing (Bus Size: 16 Bits, 16-Bit Access)

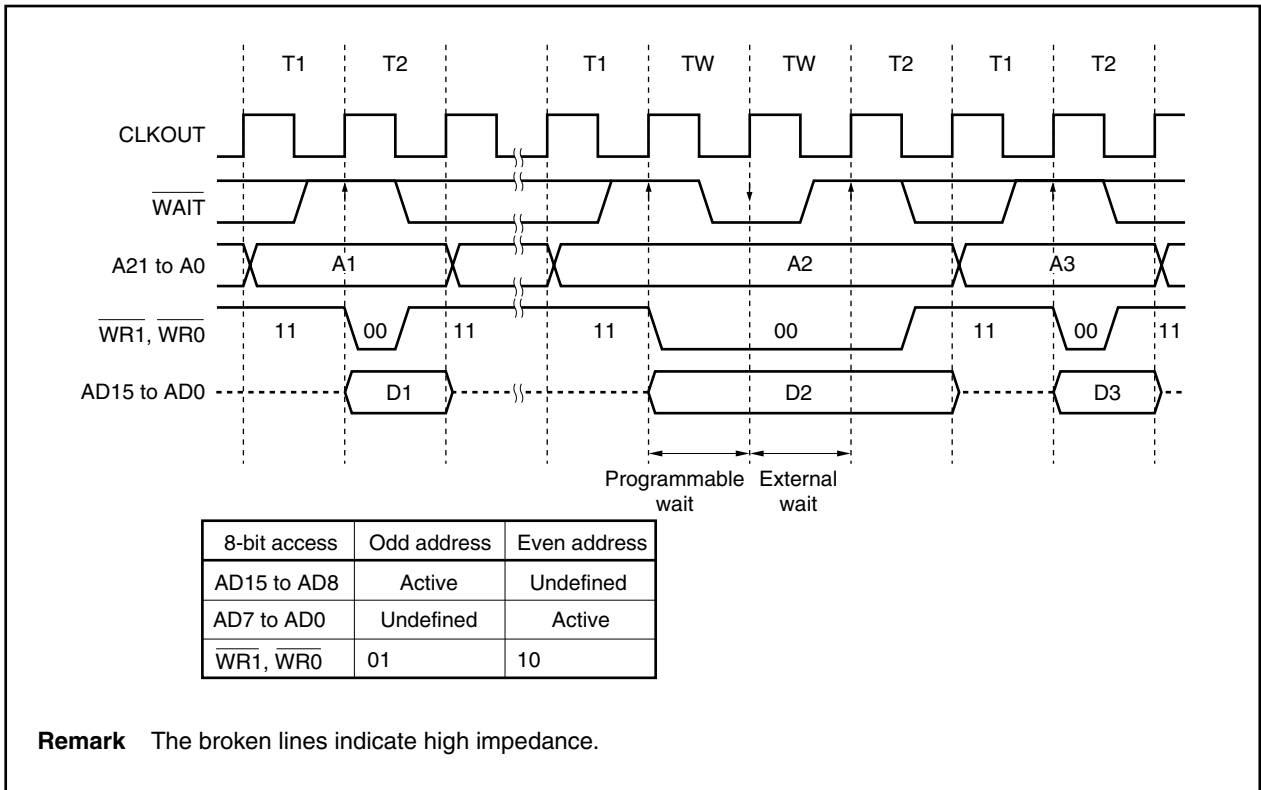


Figure 5-12. Separate Bus Write Timing (Bus Size: 8 Bits)

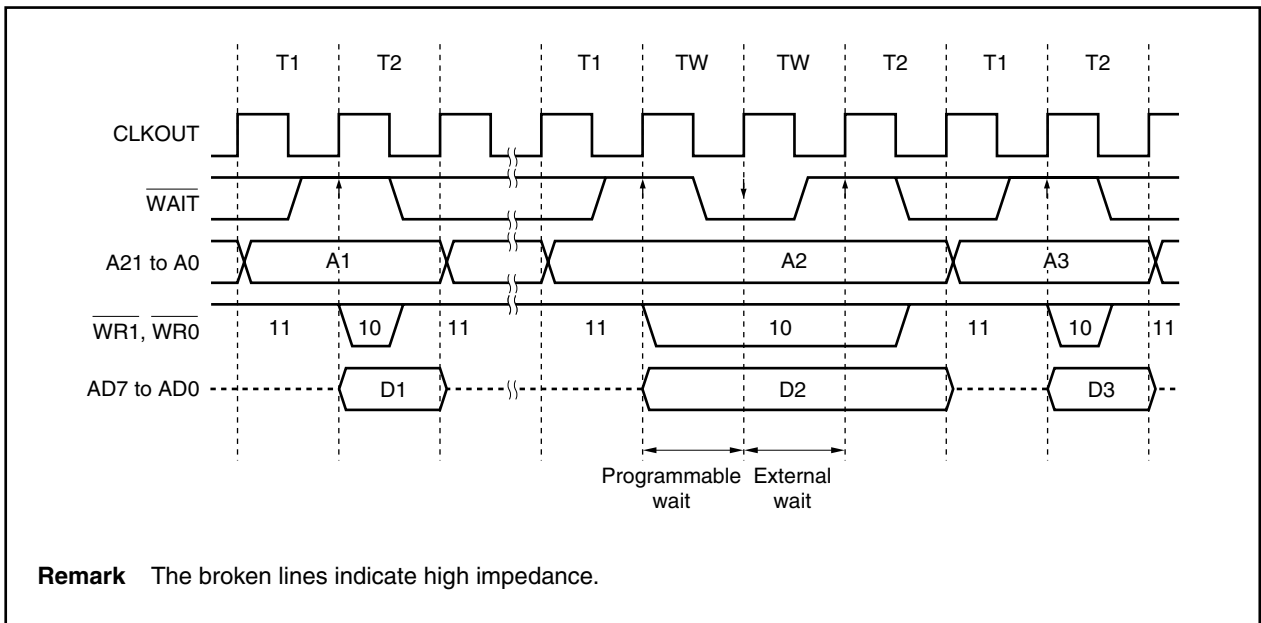


Figure 5-13. Separate Bus Hold Timing (Bus Size: 8 Bits, Write)

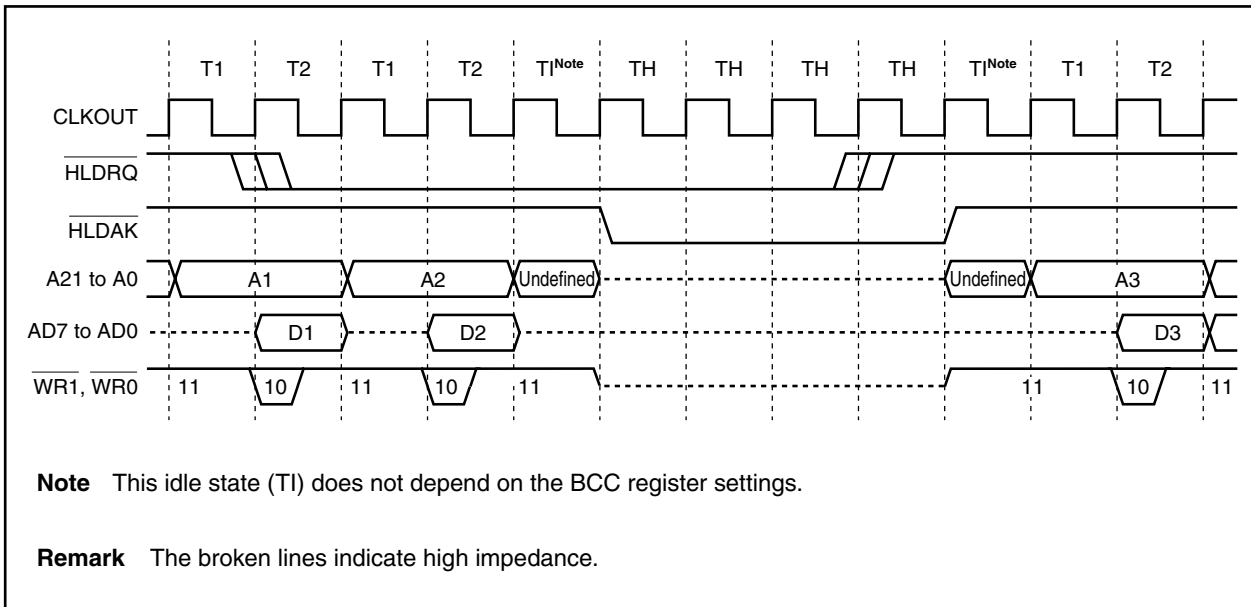
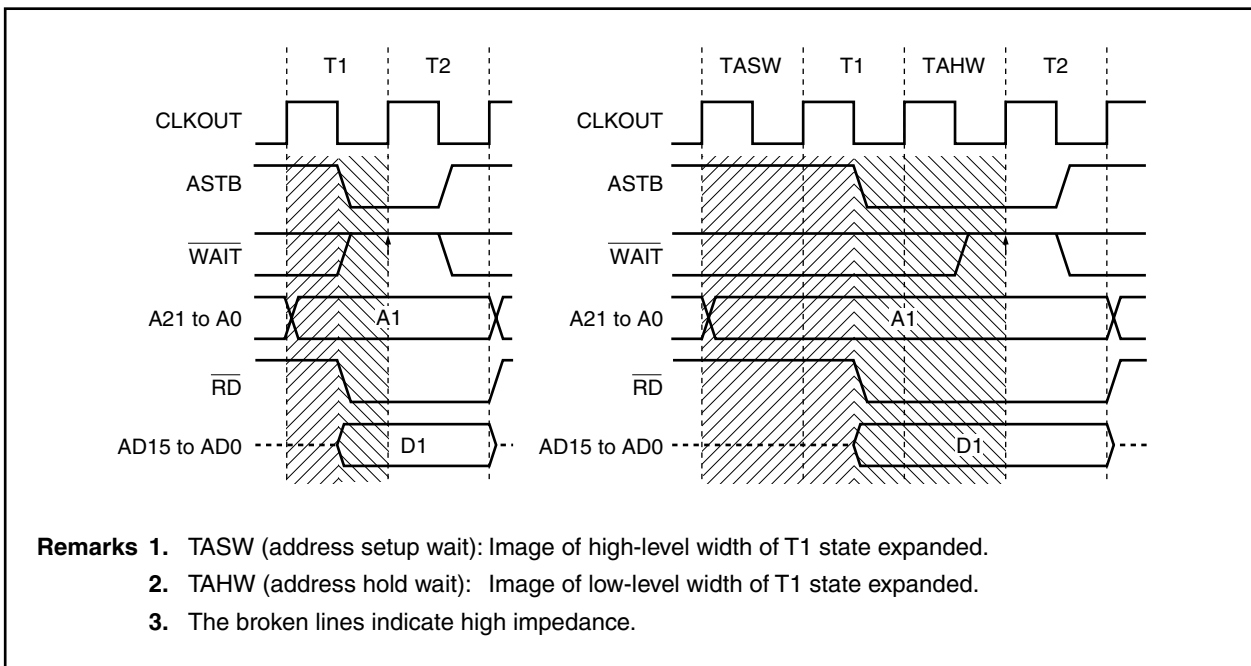


Figure 5-14. Address Wait Timing (Separate Bus Read, Bus Size: 16 Bits, 16-Bit Access)





## CHAPTER 6 CLOCK GENERATION FUNCTION

### 6.1 Overview

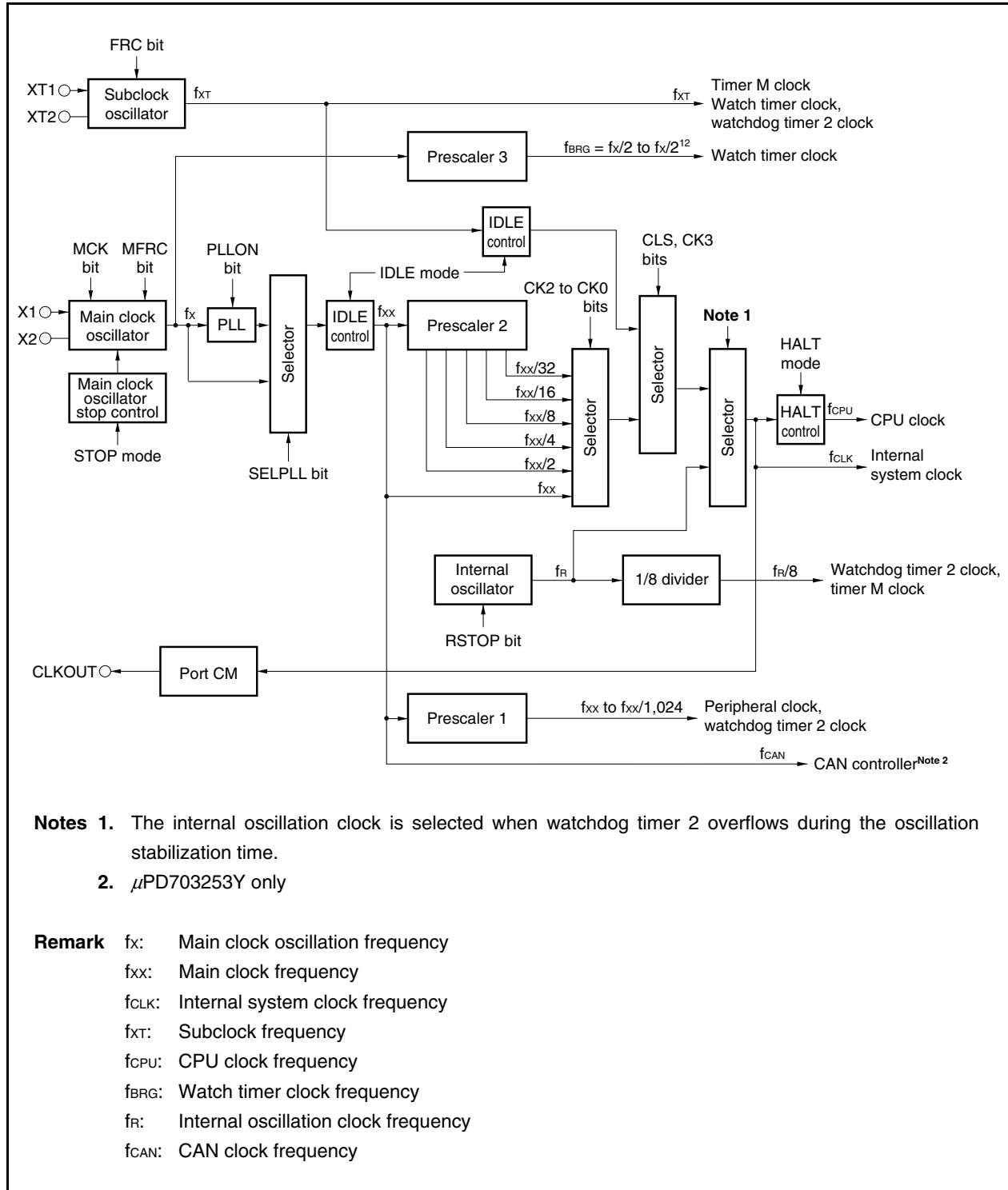
The following clock generation functions are available.

- Main clock oscillator
  - In clock-through mode  
 $f_x = 2.5$  to  $10$  MHz ( $f_{xx} = 2.5$  to  $10$  MHz)
  - In PLL mode  
 $f_x = 2.5$  to  $5$  MHz ( $f_{xx} = 10$  to  $20$  MHz)
- Subclock oscillator
  - $f_{XT} = 32.768$  kHz
- Multiply ( $\times 4/\times 8$ ) function by PLL (Phase Locked Loop)
  - Clock-through mode/PLL mode selectable
- Internal oscillator
  - $f_R = 200$  kHz (TYP.)
- Internal system clock generation
  - 7 steps ( $f_{xx}$ ,  $f_{xx}/2$ ,  $f_{xx}/4$ ,  $f_{xx}/8$ ,  $f_{xx}/16$ ,  $f_{xx}/32$ ,  $f_{XT}$ )
- Peripheral clock generation
- Clock output function

**Remark**  $f_x$ : Main clock oscillation frequency  
 $f_{xx}$ : Main clock frequency  
 $f_{XT}$ : Subclock frequency  
 $f_R$ : Internal oscillation clock frequency

6.2 Configuration

Figure 6-1. Clock Generator



**(1) Main clock oscillator**

The main resonator oscillates the following frequencies ( $f_x$ ).

- In clock-through mode  
 $f_x = 2.5$  to  $10$  MHz
- In PLL mode  
 $f_x = 2.5$  to  $5$  MHz

**(2) Subclock oscillator**

The sub-resonator oscillates a frequency of  $32.768$  kHz ( $f_{XT}$ ).

**(3) Main clock oscillator stop control**

This circuit generates a control signal that stops oscillation of the main clock oscillator.

Oscillation of the main clock oscillator is stopped in the STOP mode or when the PCC.MCK bit = 1 (valid only when the PCC.CLS bit = 1).

**(4) Internal oscillator**

Oscillates a frequency ( $f_R$ ) of  $200$  kHz (TYP.).

**(5) Prescaler 1**

This prescaler generates the clock ( $f_{xx}$  to  $f_{xx}/1,024$ ) to be supplied to the following on-chip peripheral functions:

- $\mu$ PD703249Y, 703252Y:  
TMP0 to TMP4, TMM0, CSIB0, CSIB1, CSIB3, UARTA0, UARTA1, I<sup>2</sup>C00, I<sup>2</sup>C01, ADC, WDT2, IEBus  
( $\mu$ PD703252Y only)
- $\mu$ PD703253Y:  
TMP0 to TMP5, TMM0, CSIB0, CSIB1, CSIB3, UARTA0, UARTA1, I<sup>2</sup>C00, I<sup>2</sup>C01, ADC, WDT2, CAN0

<R>

**(6) Prescaler 2**

This circuit divides the main clock ( $f_{xx}$ ).

The clock generated by prescaler 2 ( $f_{xx}$  to  $f_{xx}/32$ ) is supplied to the selector that generates the CPU clock ( $f_{CPU}$ ) and internal system clock ( $f_{CLK}$ ).

$f_{CLK}$  is the clock supplied to the INTC, ROM correction, ROM, and RAM blocks, and can be output from the CLKOUT pin.

**(7) Prescaler 3**

This circuit divides the clock generated by the main clock oscillator ( $f_x$ ) to a specific frequency ( $32.768$  kHz) and supplies that clock to the watch timer block.

For details, see **CHAPTER 9 WATCH TIMER FUNCTIONS**.

**(8) PLL**

This circuit multiplies the clock generated by the main clock oscillator ( $f_x$ ) by 4 or 8.

It operates in two modes: clock-through mode in which  $f_x$  is output as is, and PLL mode in which a multiplied clock is output. These modes can be selected by using the PLLCTL.SELPLL bit.

Whether the clock is multiplied by 4 or 8 is selected by the CKC.CKDIV0 bit, and PLL is started or stopped by the PLLCTL.PLLON bit.

## 6.3 Registers

### (1) Processor clock control register (PCC)

The PCC register is a special register. Data can be written to this register only in combination of specific sequences (see **3.4.8 Special registers**).

This register can be read or written in 8-bit or 1-bit units.

Reset sets this register to 03H.

After reset: 03H R/W Address: FFFFF828H

|     | 7                                                                                                                                                                                                                                                                                                                                                                                                                                                                                                                                                                                                                                                                     | <6>                                         | 5    | <4>                 | <3>                                   | 2   | 1   | 0   |
|-----|-----------------------------------------------------------------------------------------------------------------------------------------------------------------------------------------------------------------------------------------------------------------------------------------------------------------------------------------------------------------------------------------------------------------------------------------------------------------------------------------------------------------------------------------------------------------------------------------------------------------------------------------------------------------------|---------------------------------------------|------|---------------------|---------------------------------------|-----|-----|-----|
| PCC | FRC                                                                                                                                                                                                                                                                                                                                                                                                                                                                                                                                                                                                                                                                   | MCK                                         | MFRC | CLS <sup>Note</sup> | CK3                                   | CK2 | CK1 | CK0 |
|     | FRC                                                                                                                                                                                                                                                                                                                                                                                                                                                                                                                                                                                                                                                                   | Use of subclock on-chip feedback resistor   |      |                     |                                       |     |     |     |
|     | 0                                                                                                                                                                                                                                                                                                                                                                                                                                                                                                                                                                                                                                                                     | Used                                        |      |                     |                                       |     |     |     |
|     | 1                                                                                                                                                                                                                                                                                                                                                                                                                                                                                                                                                                                                                                                                     | Not used                                    |      |                     |                                       |     |     |     |
|     | MCK                                                                                                                                                                                                                                                                                                                                                                                                                                                                                                                                                                                                                                                                   | Main clock oscillator control               |      |                     |                                       |     |     |     |
|     | 0                                                                                                                                                                                                                                                                                                                                                                                                                                                                                                                                                                                                                                                                     | Oscillation enabled                         |      |                     |                                       |     |     |     |
|     | 1                                                                                                                                                                                                                                                                                                                                                                                                                                                                                                                                                                                                                                                                     | Oscillation stopped                         |      |                     |                                       |     |     |     |
|     | <ul style="list-style-type: none"> <li>• Even if the MCK bit is set (1) while the system is operating with the main clock as the CPU clock, the operation of the main clock does not stop. It stops after the CPU clock has been changed to the subclock.</li> <li>• Before setting the MCK bit from 0 to 1, stop the on-chip peripheral functions operating with the main clock.</li> <li>• When the main clock is stopped and the device is operating with the subclock, clear (0) the MCK bit and secure the oscillation stabilization time by software before switching the CPU clock to the main clock or operating the on-chip peripheral functions.</li> </ul> |                                             |      |                     |                                       |     |     |     |
|     | MFRC                                                                                                                                                                                                                                                                                                                                                                                                                                                                                                                                                                                                                                                                  | Use of main clock on-chip feedback resistor |      |                     |                                       |     |     |     |
|     | 0                                                                                                                                                                                                                                                                                                                                                                                                                                                                                                                                                                                                                                                                     | Used                                        |      |                     |                                       |     |     |     |
|     | 1                                                                                                                                                                                                                                                                                                                                                                                                                                                                                                                                                                                                                                                                     | Not used                                    |      |                     |                                       |     |     |     |
|     | CLS <sup>Note</sup>                                                                                                                                                                                                                                                                                                                                                                                                                                                                                                                                                                                                                                                   | Status of CPU clock ( $f_{CPU}$ )           |      |                     |                                       |     |     |     |
|     | 0                                                                                                                                                                                                                                                                                                                                                                                                                                                                                                                                                                                                                                                                     | Main clock operation                        |      |                     |                                       |     |     |     |
|     | 1                                                                                                                                                                                                                                                                                                                                                                                                                                                                                                                                                                                                                                                                     | Subclock operation                          |      |                     |                                       |     |     |     |
|     | CK3                                                                                                                                                                                                                                                                                                                                                                                                                                                                                                                                                                                                                                                                   | CK2                                         | CK1  | CK0                 | Clock selection ( $f_{CLK}/f_{CPU}$ ) |     |     |     |
|     | 0                                                                                                                                                                                                                                                                                                                                                                                                                                                                                                                                                                                                                                                                     | 0                                           | 0    | 0                   | $f_{XX}$                              |     |     |     |
|     | 0                                                                                                                                                                                                                                                                                                                                                                                                                                                                                                                                                                                                                                                                     | 0                                           | 0    | 1                   | $f_{XX}/2$                            |     |     |     |
|     | 0                                                                                                                                                                                                                                                                                                                                                                                                                                                                                                                                                                                                                                                                     | 0                                           | 1    | 0                   | $f_{XX}/4$                            |     |     |     |
|     | 0                                                                                                                                                                                                                                                                                                                                                                                                                                                                                                                                                                                                                                                                     | 0                                           | 1    | 1                   | $f_{XX}/8$                            |     |     |     |
|     | 0                                                                                                                                                                                                                                                                                                                                                                                                                                                                                                                                                                                                                                                                     | 1                                           | 0    | 0                   | $f_{XX}/16$                           |     |     |     |
|     | 0                                                                                                                                                                                                                                                                                                                                                                                                                                                                                                                                                                                                                                                                     | 1                                           | 0    | 1                   | $f_{XX}/32$                           |     |     |     |
|     | 0                                                                                                                                                                                                                                                                                                                                                                                                                                                                                                                                                                                                                                                                     | 1                                           | 1    | ×                   | Setting prohibited                    |     |     |     |
|     | 1                                                                                                                                                                                                                                                                                                                                                                                                                                                                                                                                                                                                                                                                     | ×                                           | ×    | ×                   | $f_{XT}$                              |     |     |     |

**Note** The CLS bit is a read-only bit.

**Cautions** 1. Do not change the CPU clock (by using the CK3 to CK0 bits) while CLKOUT is being output.

2. Use a bit manipulation instruction to manipulate the CK3 bit. When using an 8-bit manipulation instruction, do not change the set values of the CK2 to CK0 bits.

**Remark** ×: don't care

**(a) Example of setting main clock operation → subclock operation**

- <1> CK3 bit ← 1: Use of a bit manipulation instruction is recommended. Do not change the CK2 to CK0 bits.
- <2> Subclock operation: Read the CLS bit to check if subclock operation has started. It takes the following time after the CK3 bit is set until subclock operation is started.  
Max.:  $1/f_{XT}$  (1/subclock frequency)
- <3> MCK bit ← 1: Set the MCK bit to 1 only when stopping the main clock.

**Cautions 1. When stopping the main clock, stop the PLL. Also stop the operations of the on-chip peripheral functions operating with the main clock.**

**2. If the following conditions are not satisfied, change the CK2 to CK0 bits so that the conditions are satisfied, then change to the subclock operation mode.**

$$\text{Internal system clock (f}_{CLK}\text{)} > \text{Subclock (f}_{XT}\text{: 32.768 kHz)} \times 4$$

**Remark** Internal system clock (f<sub>CLK</sub>): Clock generated from the main clock (f<sub>xx</sub>) by setting bits CK2 to CK0

[Description example]

```

<R>     _DMA_DISABLE: Note
<R>     clr1      0, DCHCn[r0]      -- DMA operation disabled. n = 0 to 3Note
<1>  _SET_SUB_RUN :
      st.b      r0, PRCMD[r0]
      set1     3, PCC[r0]          -- CK3 bit ← 1
<2>  _CHECK_CLS :
      tst1     4, PCC[r0]          -- Wait until subclock operation starts.
      bz       _CHECK_CLS
<3>  _STOP_MAIN_CLOCK :
      st.b     r0, PRCMD[r0]
      set1    6, PCC[r0]          -- MCK bit ← 1, main clock is stopped.
<R>     _DMA_ENABLE: Note
<R>     set1    0, DCHCn[r0]      -- DMA operation enabled. n = 0 to 3Note

```

<R> **Note**  $\mu$ PD703253Y only

**Remark** The description above is simply an example. Note that in <2> above, the CLS bit is read in a closed loop.

**(b) Example of setting subclock operation → main clock operation**

- <1> MCK bit ← 1: Main clock starts oscillating
- <2> Insert waits by the program and wait until the oscillation stabilization time of the main clock elapses.
- <3> CK3 bit ← 1: Use of a bit manipulation instruction is recommended. Do not change the CK2 to CK0 bits.
- <4> Main clock operation: It takes the following time after the CK3 bit is set until main clock operation is started.  
 Max.:  $1/f_{XT}$  (1/subclock frequency)  
 Therefore, insert one NOP instruction immediately after setting the CK3 bit to 0 or read the CLS bit to check if main clock operation has started.

**Caution** Enable operation of the on-chip peripheral functions operating with the main clock only after the oscillation of the main clock stabilizes. If their operations are enabled before the lapse of the oscillation stabilization time, a malfunction may occur.

[Description example]

```

<R>     _DMA_DISABLE: Note
<R>     clr1      0, DCHCn[r0]           -- DMA operation disabled. n = 0 to 3Note
<1>    _START_MAIN_OSC :
        st.b     r0, PRCMD[r0]         -- Release of protection of special registers
        clr1    6, PCC[r0]             -- Main clock starts oscillating.
<2>    movea    0x55, r0, r11          -- Wait for oscillation stabilization time.
        _WAIT_OST :
        nop
        nop
        nop
        addi    -1, r11, r11
        cmp     r0, r11
        bne     _WAIT_OST
<3>    st.b     r0, PRCMD[r0]
        clr1    3, PCC[r0]             -- CK3 ← 0
<4>    _CHECK_CLS :
        tstl    4, PCC[r0]             -- Wait until main clock operation starts.
        bnz     _CHECK_CLS
<R>     _DMA_ENABLE: Note
<R>     setl     0, DCHCn[r0]           -- DMA operation enabled. n = 0 to 3Note

```

<R> **Note**  $\mu$ PD703253Y only

**Remark** The description above is simply an example. Note that in <4> above, the CLS bit is read in a closed loop.

**(2) Internal oscillation mode register (RCM)**

The RCM register is an 8-bit register that sets the operation mode of the internal oscillator.

This register can be read or written in 8-bit or 1-bit units.

Reset sets this register to 00H.

After reset: 00H R/W Address: FFFFF80CH

|     |   |   |   |   |   |   |   |       |
|-----|---|---|---|---|---|---|---|-------|
|     | 7 | 6 | 5 | 4 | 3 | 2 | 1 | <0>   |
| RCM | 0 | 0 | 0 | 0 | 0 | 0 | 0 | RSTOP |

|       |                                         |
|-------|-----------------------------------------|
| RSTOP | Oscillation/stop of internal oscillator |
| 0     | Internal oscillator oscillation         |
| 1     | Internal oscillator stopped             |

- Cautions**
1. The internal oscillator cannot be stopped while the CPU is operating on the internal oscillation clock (CCLS.CCLS<sub>F</sub> bit = 1). Do not set the RSTOP bit to 1.
  2. The internal oscillator oscillates if the CCLS.CCLS<sub>F</sub> bit is set to 1 (when WDT overflow occurs during oscillation stabilization) even when the RSTOP bit is set to 1. At this time, the RSTOP bit remains being set to 1.

**(3) CPU operation clock status register (CCLS)**

The CCLS register indicates the status of the CPU operation clock.

This register is read-only, in 8-bit or 1-bit units.

Reset sets this register to 00H.

After reset: 00H<sup>Note</sup> R Address: FFFFF82EH

|      |   |   |   |   |   |   |   |                   |
|------|---|---|---|---|---|---|---|-------------------|
|      | 7 | 6 | 5 | 4 | 3 | 2 | 1 | 0                 |
| CCLS | 0 | 0 | 0 | 0 | 0 | 0 | 0 | CCLS <sub>F</sub> |

|                   |                                                                           |
|-------------------|---------------------------------------------------------------------------|
| CCLS <sub>F</sub> | CPU operation clock status                                                |
| 0                 | Operating on main clock (f <sub>x</sub> ) or subclock (f <sub>xT</sub> ). |
| 1                 | Operating on internal oscillation clock (f <sub>R</sub> ).                |

<R> **Note** If WDT overflow occurs during oscillation stabilization time after a reset is released, the CPU operates on the internal oscillation clock (f<sub>R</sub>). At this time, the CCLS<sub>F</sub> bit is set to 1 and the reset value is 01H.



## 6.4 Operation

### 6.4.1 Operation of each clock

The following table shows the operation status of each clock.

**Table 6-1. Operation Status of Each Clock**

| Register Setting and<br>Operation Status<br><br>Target Clock | PCC Register             |                                                      |              |                         |              |                             |                  |                             |                  |
|--------------------------------------------------------------|--------------------------|------------------------------------------------------|--------------|-------------------------|--------------|-----------------------------|------------------|-----------------------------|------------------|
|                                                              | CLK Bit = 0, MCK Bit = 0 |                                                      |              |                         |              | CLS Bit = 1,<br>MCK Bit = 0 |                  | CLS Bit = 1,<br>MCK Bit = 1 |                  |
|                                                              | During<br>Reset          | During<br>Oscillation<br>Stabilization<br>Time Count | HALT<br>Mode | IDLE1,<br>IDLE2<br>Mode | STOP<br>Mode | Subclock<br>Mode            | Sub-IDLE<br>Mode | Subclock<br>Mode            | Sub-IDLE<br>Mode |
| Main clock oscillator (fx)                                   | ×                        | √                                                    | √            | √                       | ×            | √                           | √                | ×                           | ×                |
| Subclock oscillator (fxt)                                    | √                        | √                                                    | √            | √                       | √            | √                           | √                | √                           | √                |
| CPU clock (f <sub>CPU</sub> )                                | ×                        | ×                                                    | ×            | ×                       | ×            | √                           | ×                | √                           | ×                |
| Internal system clock (f <sub>CLK</sub> )                    | ×                        | ×                                                    | √            | ×                       | ×            | √                           | ×                | √                           | ×                |
| Main clock (in PLL mode, fxx)                                | ×                        | √ <sup>Note</sup>                                    | √            | ×                       | ×            | √                           | √                | ×                           | ×                |
| Peripheral clock (fxx to fxx/1,024)                          | ×                        | ×                                                    | √            | ×                       | ×            | √                           | ×                | ×                           | ×                |
| WT clock (main)                                              | ×                        | √                                                    | √            | √                       | ×            | √                           | √                | ×                           | ×                |
| WT clock (sub)                                               | √                        | √                                                    | √            | √                       | √            | √                           | √                | √                           | √                |
| WDT2 clock (internal oscillation)                            | ×                        | √                                                    | √            | √                       | √            | √                           | √                | √                           | √                |
| WDT2 clock (main)                                            | ×                        | ×                                                    | √            | ×                       | ×            | √                           | ×                | ×                           | ×                |
| WDT2 clock (sub)                                             | √                        | √                                                    | √            | √                       | √            | √                           | √                | √                           | √                |

**Note** Lockup time

**Remark** √: Operable  
×: Stopped

### 6.4.2 Clock output function

The clock output function is used to output the internal system clock (f<sub>CLK</sub>) from the CLKOUT pin.

The internal system clock (f<sub>CLK</sub>) is selected by using the PCC.CK3 to PCC.CK0 bits.

The CLKOUT pin functions alternately as the PCM1 pin and functions as a clock output pin if so specified by the control register of port CM.

The status of the CLKOUT pin is the same as the internal system clock in Table 6-1 and the pin can output the clock when it is in the operable status. It outputs a low level in the stopped status. However, the CLKOUT pin is in the port mode (PCM1 pin: input mode) after reset and until it is set in the output mode. Therefore, the status of the pin is Hi-Z.

## 6.5 PLL Function

### 6.5.1 Overview

In the V850ES/SG1, an operating clock that is 4 or 8 times higher than the oscillation frequency output by the PLL function or the clock-through mode can be selected as the operating clock of the CPU and on-chip peripheral functions.

When PLL function is used: Input clock = 2.5 to 5 MHz (output: 10 to 20 MHz)

Clock-through mode: Input clock = 2.5 to 10 MHz (output: 2.5 to 10 MHz)

### 6.5.2 Registers

#### (1) PLL control register (PLLCTL)

The PLLCTL register is an 8-bit register that controls the PLL function.

This register can be read or written in 8-bit or 1-bit units.

Reset sets this register to 01H.

|                  |                                                                                                      |     |                    |   |   |   |        |       |
|------------------|------------------------------------------------------------------------------------------------------|-----|--------------------|---|---|---|--------|-------|
| After reset: 01H |                                                                                                      | R/W | Address: FFFFF82CH |   |   |   |        |       |
| PLLCTL           | 7                                                                                                    | 6   | 5                  | 4 | 3 | 2 | <1>    | <0>   |
|                  | 0                                                                                                    | 0   | 0                  | 0 | 0 | 0 | SELPLL | PLLON |
| PLLON            | PLL operation stop register                                                                          |     |                    |   |   |   |        |       |
| 0                | PLL stopped                                                                                          |     |                    |   |   |   |        |       |
| 1                | PLL operating<br>(After PLL operation starts, a lockup time is required for frequency stabilization) |     |                    |   |   |   |        |       |
| SELPLL           | CPU operation clock selection register                                                               |     |                    |   |   |   |        |       |
| 0                | Clock-through mode                                                                                   |     |                    |   |   |   |        |       |
| 1                | PLL mode                                                                                             |     |                    |   |   |   |        |       |

- <R> **Cautions**
- 1. To stop the PLL operation, first set the clock through mode (SELPLL bit = 0), wait for at least 8 clocks, and then stop the PLL (PLLON bit = 0). When the PLLON bit is cleared to 0, the SELPLL bit is automatically cleared to 0 (clock-through mode), but be sure to stop the PLL in the above procedure.**
  - 2. The SELPLL bit can be set to 1 only when the PLL clock frequency is stabilized. If not (unlocked), "0" is written to the SELPLL bit if data is written to it.**

**(2) Clock control register (CKC)**

The CKC register is a special register. Data can be written to this register only in a combination of specific sequence (see **3.4.8 Special registers**).

The CKC register controls the internal system clock in the PLL mode.

This register can be read or written in 8-bit or 1-bit units.

Reset sets this register to 0AH.

After reset: 0AH    R/W    Address: FFFF822H

|     |   |   |   |   |   |   |   |        |
|-----|---|---|---|---|---|---|---|--------|
|     | 7 | 6 | 5 | 4 | 3 | 2 | 1 | 0      |
| CKC | 0 | 0 | 0 | 0 | 1 | 0 | 1 | CKDIV0 |

|        |                                                     |
|--------|-----------------------------------------------------|
| CKDIV0 | Internal system clock ( $f_{xx}$ ) in PLL mode      |
| 0      | $f_{xx} = 4 \times f_x$ ( $f_x = 2.5$ to $5.0$ MHz) |
| 1      | $f_{xx} = 8 \times f_x$ ( $f_x = 2.5$ MHz)          |

- Cautions**
1. The PLL mode cannot be used at  $5.0 \text{ MHz} < f_x \leq 10.0 \text{ MHz}$ .
  2. Before changing the multiplication factor between 4 and 8 by using the CKC register, set the clock-through mode and stop the PLL.
  3. Be sure to set bits 3 and 1 to "1" and clear bits 7 to 4 and 2 to "0".

**Remark** Both the CPU clock and peripheral clock are divided by the CKC register, but only the CPU clock is divided by the PCC register.

**(3) Lock register (LOCKR)**

Phase lock occurs at a given frequency following power application or immediately after the STOP mode is released, and the time required for stabilization is the lockup time (frequency stabilization time). This state until stabilization is called the lockup status, and the stabilized state is called the locked status.

The LOCKR register includes a LOCK bit that reflects the PLL frequency stabilization status.

This register is read-only, in 8-bit or 1-bit units.

Reset sets this register to 00H.

After reset: 00H    R    Address: FFFF824H

|       |   |   |   |   |   |   |   |      |
|-------|---|---|---|---|---|---|---|------|
|       | 7 | 6 | 5 | 4 | 3 | 2 | 1 | <0>  |
| LOCKR | 0 | 0 | 0 | 0 | 0 | 0 | 0 | LOCK |

|      |                       |
|------|-----------------------|
| LOCK | PLL lock status check |
| 0    | Locked status         |
| 1    | Unlocked status       |

**Caution** The LOCK register does not reflect the lock status of the PLL in real time. The set/clear conditions are as follows.

**[Set conditions]**

- Upon system reset<sup>Note</sup>
- In IDLE2 or STOP mode
- Upon setting of PLL stop (clearing of PLLCTL.PLLON bit to 0)
- Upon stopping main clock and using CPU with subclock (setting of PCC.CK3 bit to 1 and setting of PCC.MCK bit to 1)

**Note** This register is set to 01H by reset and cleared to 00H after the reset has been released and the oscillation stabilization time has elapsed.

**[Clear conditions]**

- Upon overflow of oscillation stabilization time following reset release (OSTS register default time (see **21.2 (3) Oscillation stabilization time select register (OSTS)**))
- Upon oscillation stabilization timer overflow (time set by OSTS register) following STOP mode release, when the STOP mode was set in the PLL operating status
- Upon PLL lockup time timer overflow (time set by PLLS register) when the PLLCTL.PLLON bit is changed from 0 to 1
- After the setup time inserted upon release of the IDLE2 mode is released (time set by the OSTS register) when the IDLE2 mode is set during PLL operation.

**(4) PLL lockup time specification register (PLLS)**

The PLLS register is an 8-bit register used to select the PLL lockup time when the PLLCTL.PLLON bit is changed from 0 to 1.

This register can be read or written in 8-bit units.

Reset sets this register to 03H.

After reset: 03H    R/W    Address: FFFFF6C1H

|      |   |   |   |   |   |   |       |       |
|------|---|---|---|---|---|---|-------|-------|
|      | 7 | 6 | 5 | 4 | 3 | 2 | 1     | 0     |
| PLLS | 0 | 0 | 0 | 0 | 0 | 0 | PLLS1 | PLLS0 |

| PLLS1 | PLLS0 | Selection of PLL lockup time |
|-------|-------|------------------------------|
| 0     | 0     | $2^{10}/f_x$                 |
| 0     | 1     | $2^{11}f_x$                  |
| 1     | 0     | $2^{12}/f_x$                 |
| 1     | 1     | $2^{13}/f_x$ (default value) |

- Cautions**
1. Set so that the lockup time is 800  $\mu$ s or longer.
  2. Do not change the PLLS register setting during the lockup period.

### 6.5.3 Usage

#### (1) When PLL is used

- After the reset signal has been released, the PLL operates (PLLCTL.PLLON bit = 1), but because the default mode is the clock-through mode (PLLCTL.SELPLL bit = 0), select the PLL mode (SELPLL bit = 1).
- To enable PLL operation, first set the PLLON bit to 1, and then set the SELPLL bit to 1 after the LOCKR.LOCK bit = 0. To stop the PLL, first select the clock-through mode (SELPLL bit = 0), wait for 8 clocks or more, and then stop the PLL (PLLON bit = 0).
- The PLL stops during transition to the IDLE2 or STOP mode regardless of the setting and is restored from the IDLE2 or STOP mode to the status before transition. The time required for restoration is as follows.

##### (a) When transiting to the IDLE2 or STOP mode from the clock through mode

- STOP mode: Set the OSTS register so that the oscillation stabilization time is 1 ms (min.) or longer.
- IDLE2 mode: Set the OSTS register so that the setup time is 350  $\mu$ s (min.) or longer.

<R>

##### (b) When transiting to the IDLE 2 or STOP mode while remaining in the PLL operation mode

- STOP mode: Set the OSTS register so that the oscillation stabilization time is 1 ms (min.) or longer.
- IDLE2 mode: Set the OSTS register so that the setup time is 800  $\mu$ s (min.) or longer.

When transiting to the IDLE1 mode, the PLL does not stop. Stop the PLL if necessary.

#### (2) When PLL is not used

- The clock-through mode (SELPLL bit = 0) is selected after the reset signal has been released, but the PLL is operating (PLLON bit = 1) and must therefore be stopped (PLLON bit = 0).

## CHAPTER 7 16-BIT TIMER/EVENT COUNTER P (TMP)

Timer P (TMP) is a 16-bit timer/event counter.

<R> The  $\mu$ PD703249Y and 703252Y have TMP0 to TMP4. The  $\mu$ PD703253Y has TMP0 to TMP5.

### 7.1 Overview

An outline of TMPn is shown below.

- Clock selection: 8 ways
- Capture/trigger input pins: 2
- External event count input pins: 1
- External trigger input pins: 1
- Timer/counters: 1
- Capture/compare registers: 2
- Capture/compare match interrupt request signals: 2
- <R> • Overflow interrupt request signals: 1
- Timer output pins: 2

**Remark**  $\mu$ PD703249Y and 703252Y: n = 0 to 4

<R>  $\mu$ PD703253Y: n = 0 to 5

### 7.2 Functions

TMPn has the following functions.

- Interval timer
- External event counter
- External trigger pulse output
- One-shot pulse output
- PWM output
- Free-running timer
- Pulse width measurement

**Remark**  $\mu$ PD703249Y and 703252Y: n = 0 to 4

<R>  $\mu$ PD703253Y: n = 0 to 5

### 7.3 Configuration

TMPn includes the following hardware.

**Table 7-1. Configuration of TMPn**

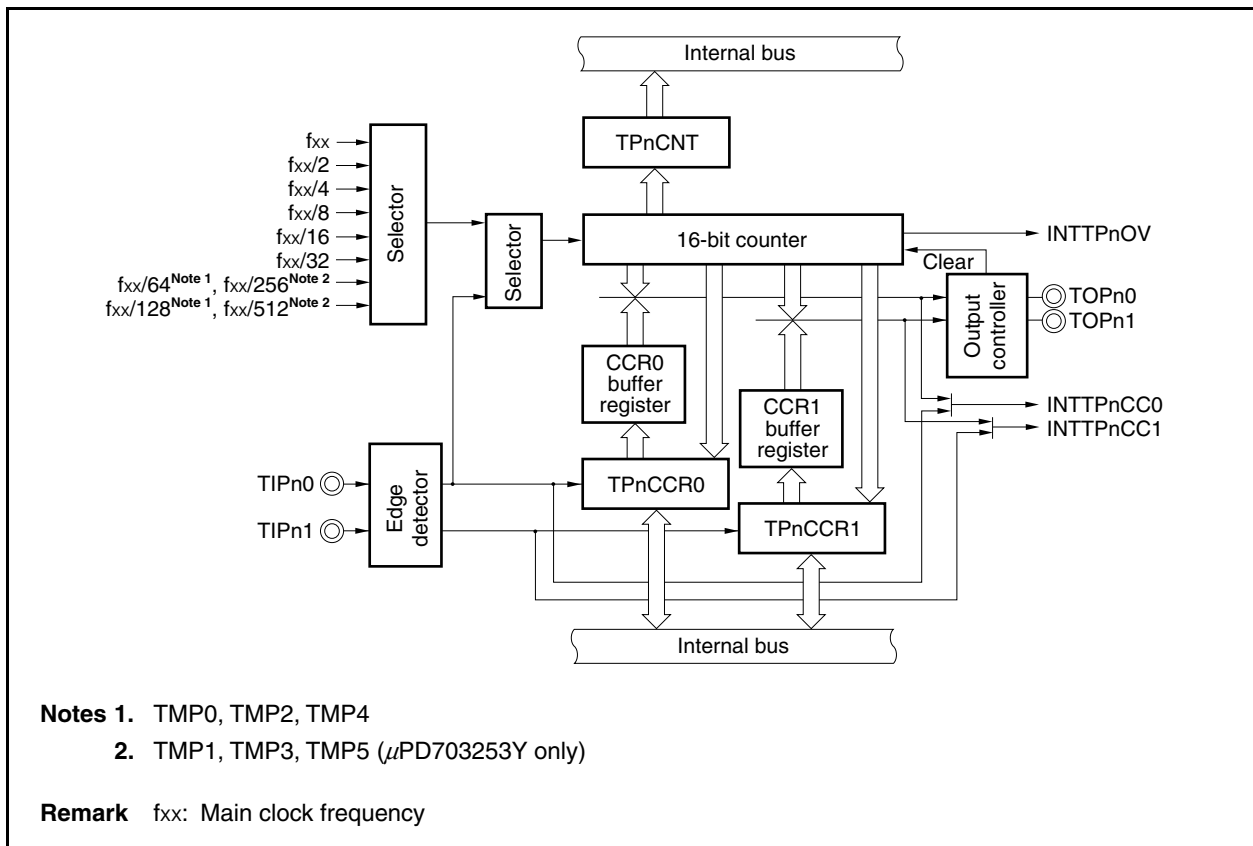
| Item                                | Configuration                                                                                                                                |
|-------------------------------------|----------------------------------------------------------------------------------------------------------------------------------------------|
| Timer register                      | 16-bit counter × 1 each                                                                                                                      |
| Registers                           | TMPn capture/compare registers 0, 1 (TPnCCR0, TPnCCR1)<br>TMPn counter read buffer register (TPnCNT)<br>CCR0, CCR1 buffer registers          |
| Timer inputs                        | 2 (TIPn0 <sup>Note 1</sup> , TIPn1 pins)                                                                                                     |
| Timer outputs                       | 2 (TOPn0, TOPn1 pins)                                                                                                                        |
| Control registers <sup>Note 2</sup> | TMPn control registers 0, 1 (TPnCTL0, TPnCTL1)<br>TMPn I/O control registers 0 to 2 (TPnIOC0 to TPnIOC2)<br>TMPn option register 0 (TPnOPT0) |

- Notes 1.** The TIPn0 pin functions alternately as a capture trigger input signal, external event count input signal, and external trigger input signal.
- 2.** When using the functions of the TIPn0, TIPn1, TOPn0, and TOPn1 pins, see **Table 4-15 Using Port Pin as Alternate-Function Pin.**

**Remark**  $\mu$ PD703249Y and 703252Y: n = 0 to 4

<R>  $\mu$ PD703253Y: n = 0 to 5

**Figure 7-1. Block Diagram of TMPn**





**(1) 16-bit counter**

This 16-bit counter can count internal clocks or external events.

The count value of this counter can be read by using the TPnCNT register.

When the TPnCTL0.TPnCE bit = 0, the value of the 16-bit counter is FFFFH. If the TPnCNT register is read at this time, 0000H is read.

Reset sets the TPnCE bit to 0.

**(2) CCR0 buffer register**

This is a 16-bit compare register that compares the count value of the 16-bit counter.

When the TPnCCR0 register is used as a compare register, the value written to the TPnCCR0 register is transferred to the CCR0 buffer register. When the count value of the 16-bit counter matches the value of the CCR0 buffer register, a compare match interrupt request signal (INTTPnCC0) is generated.

The CCR0 buffer register cannot be read or written directly.

The CCR0 buffer register is cleared to 0000H after reset, as the TPnCCR0 register is cleared to 0000H.

**(3) CCR1 buffer register**

This is a 16-bit compare register that compares the count value of the 16-bit counter.

When the TPnCCR1 register is used as a compare register, the value written to the TPnCCR1 register is transferred to the CCR1 buffer register. When the count value of the 16-bit counter matches the value of the CCR1 buffer register, a compare match interrupt request signal (INTTPnCC1) is generated.

The CCR1 buffer register cannot be read or written directly.

The CCR1 buffer register is cleared to 0000H after reset, as the TPnCCR1 register is cleared to 0000H.

**(4) Edge detector**

This circuit detects the valid edges input to the TIPn0 and TIPn1 pins. No edge, rising edge, falling edge, or both the rising and falling edges can be selected as the valid edge by using the TPnIOC1 and TPnIOC2 registers.

**(5) Output controller**

This circuit controls the output of the TOPn0 and TOPn1 pins. The output controller is controlled by the TPnIOC0 register.

**(6) Selector**

This selector selects the count clock for the 16-bit counter. Eight types of internal clocks or an external event can be selected as the count clock.

## 7.4 Registers

The registers that control TMPn are as follows.

- TMPn control register 0 (TPnCTL0)
- TMPn control register 1 (TPnCTL1)
- TMPn I/O control register 0 (TPnIOC0)
- TMPn I/O control register 1 (TPnIOC1)
- TMPn I/O control register 2 (TPnIOC2)
- TMPn option register 0 (TPnOPT0)
- TMPn capture/compare register 0 (TPnCCR0)
- TMPn capture/compare register 1 (TPnCCR1)
- TMPn counter read buffer register (TPnCNT)

**Remarks 1.** When using the functions of the TIPn0, TIPn1, TOPn0, and TOPn1 pins, see **Table 4-15 Using Port Pin as Alternate-Function Pin.**

**2.**  $\mu$ PD703249Y and 703252Y: n = 0 to 4

$\mu$ PD703253Y: n = 0 to 5

<R>

**(1) TMPn control register 0 (TPnCTL0)**

The TPnCTL0 register is an 8-bit register that controls the operation of TMPn.

This register can be read or written in 8-bit or 1-bit units.

Reset sets this register to 00H.

The same value can always be written to the TPnCTL0 register by software.

<R>

After reset: 00H R/W Address: TP0CTL0 FFFFF590H, TP1CTL0 FFFFF5A0H,  
TP2CTL0 FFFFF5B0H, TP3CTL0 FFFFF5C0H,  
TP4CTL0 FFFFF5D0H, TP5CTL0 FFFFF5E0H<sup>Note 1</sup>

<R>

|                                                   |       |                                                                         |   |   |   |         |         |         |
|---------------------------------------------------|-------|-------------------------------------------------------------------------|---|---|---|---------|---------|---------|
|                                                   | <7>   | 6                                                                       | 5 | 4 | 3 | 2       | 1       | 0       |
| TPnCTL0                                           | TPnCE | 0                                                                       | 0 | 0 | 0 | TPnCKS2 | TPnCKS1 | TPnCKS0 |
| [<br>μPD703249Y,<br>μPD703252Y<br>n = 0 to 4<br>] | TPnCE | TMPn operation control                                                  |   |   |   |         |         |         |
|                                                   | 0     | TMPn operation disabled (TMPn reset asynchronously <sup>Note 2</sup> ). |   |   |   |         |         |         |
| [<br>μPD703253Y<br>n = 0 to 5<br>]                | 1     | TMPn operation enabled. TMPn operation started.                         |   |   |   |         |         |         |

<R>

| TPnCKS2 | TPnCKS1 | TPnCKS0 | Internal count clock selection |                               |
|---------|---------|---------|--------------------------------|-------------------------------|
|         |         |         | n = 0, 2, 4                    | n = 1, 3, 5 <sup>Note 1</sup> |
| 0       | 0       | 0       | f <sub>xx</sub>                |                               |
| 0       | 0       | 1       | f <sub>xx</sub> /2             |                               |
| 0       | 1       | 0       | f <sub>xx</sub> /4             |                               |
| 0       | 1       | 1       | f <sub>xx</sub> /8             |                               |
| 1       | 0       | 0       | f <sub>xx</sub> /16            |                               |
| 1       | 0       | 1       | f <sub>xx</sub> /32            |                               |
| 1       | 1       | 0       | f <sub>xx</sub> /64            | f <sub>xx</sub> /256          |
| 1       | 1       | 1       | f <sub>xx</sub> /128           | f <sub>xx</sub> /512          |

<R>

**Notes** 1. μPD703253Y only

<R>

2. The TPnOPT0.TPnOVF bit and 16-bit counter are reset at the same time. In addition, the timer output pins (TOPn0 and TOPn1 pins) are reset to the status set by the TPnIOC0 register when the 16-bit counter is reset.

**Cautions** 1. Set the TPnCKS2 to TPnCKS0 bits when the TPnCE bit = 0.

When the value of the TPnCE bit is changed from 0 to 1, the TPnCKS2 to TPnCKS0 bits can be set simultaneously.

2. Be sure to clear bits 3 to 6 to “0”.

**Remark** f<sub>xx</sub>: Main clock frequency

**(2) TMPn control register 1 (TPnCTL1)**

The TPnCTL1 register is an 8-bit register that controls the operation of TMPn.

This register can be read or written in 8-bit or 1-bit units.

Reset sets this register to 00H.

After reset: 00H R/W Address: TP0CTL1 FFFF591H, TP1CTL1 FFFF5A1H,  
 TP2CTL1 FFFF5B1H, TP3CTL1 FFFF5C1H,  
 TP4CTL1 FFFF5D1H, TP5CTL1 FFFF5E1H<sup>Note</sup>

<R>

|         |   |        |        |   |   |        |        |        |
|---------|---|--------|--------|---|---|--------|--------|--------|
| TPnCTL1 | 7 | <6>    | <5>    | 4 | 3 | 2      | 1      | 0      |
|         | 0 | TPnEST | TPnEEE | 0 | 0 | TPnMD2 | TPnMD1 | TPnMD0 |

$\mu$ PD703249Y,  
 $\mu$ PD703252Y  
 n = 0 to 4

<R>

$\mu$ PD703253Y  
 n = 0 to 5

|                                               |                                                                                                                                                                                                                                                                                                 |
|-----------------------------------------------|-------------------------------------------------------------------------------------------------------------------------------------------------------------------------------------------------------------------------------------------------------------------------------------------------|
| TPnEST                                        | Software trigger control                                                                                                                                                                                                                                                                        |
| 0                                             | –                                                                                                                                                                                                                                                                                               |
| 1                                             | Generate a valid signal for external trigger input.<br>• In one-shot pulse output mode:<br>A one-shot pulse is output with writing 1 to the TPnEST bit as the trigger.<br>• In external trigger pulse output mode:<br>A PWM waveform is output with writing 1 to the TPnEST bit as the trigger. |
| The read value of the TPnEST bit is always 0. |                                                                                                                                                                                                                                                                                                 |

<R>

|                                                                                                                                         |                                                                                                                                                             |
|-----------------------------------------------------------------------------------------------------------------------------------------|-------------------------------------------------------------------------------------------------------------------------------------------------------------|
| TPnEEE                                                                                                                                  | Count clock selection                                                                                                                                       |
| 0                                                                                                                                       | Disable operation with external event count input (TIPn0 pin).<br>(Perform counting with the count clock selected by the TPnCTL0.TPnCKS0 to TPnCKS2 bits.)  |
| 1                                                                                                                                       | Enable operation with external event count input (TIPn0 pin).<br>(Perform counting at the valid edge of the external event count input signal (TIPn0 pin).) |
| The TPnEEE bit selects whether counting is performed with the internal count clock or the valid edge of the external event count input. |                                                                                                                                                             |

|        |        |        |                                    |
|--------|--------|--------|------------------------------------|
| TPnMD2 | TPnMD1 | TPnMD0 | Timer mode selection               |
| 0      | 0      | 0      | Interval timer mode                |
| 0      | 0      | 1      | External event count mode          |
| 0      | 1      | 0      | External trigger pulse output mode |
| 0      | 1      | 1      | One-shot pulse output mode         |
| 1      | 0      | 0      | PWM output mode                    |
| 1      | 0      | 1      | Free-running timer mode            |
| 1      | 1      | 0      | Pulse width measurement mode       |
| 1      | 1      | 1      | Setting prohibited                 |

<R>

**Note**  $\mu$ PD703253Y only

- Cautions**
1. The TPnEST bit is valid only in the external trigger pulse output mode or the one-shot pulse output mode. In any other mode, writing 1 to this bit is ignored.
  2. External event count input is selected in the external event count mode regardless of the value of the TPnEEE bit.
  3. Set the TPnEEE and TPnMD2 to TPnMD0 bits when the TPnCTL0.TPnCE bit = 0. (The same value can be written when the TPnCE bit = 1.) The operation is not guaranteed when rewriting is performed with the TPnCE bit = 1. If rewriting was mistakenly performed, clear the TPnCE bit to 0 and then set the bits again.
  4. Be sure to clear bits 3, 4, and 7 to “0”.

**(3) TMPn I/O control register 0 (TPnIOC0)**

The TPnIOC0 register is an 8-bit register that controls the timer output (TOPn0, TOPn1 pins).

This register can be read or written in 8-bit or 1-bit units.

Reset sets this register to 00H.

After reset: 00H R/W Address: TP0IOC0 FFFFF592H, TP1IOC0 FFFFF5A2H,  
 TP2IOC0 FFFFF5B2H, TP3IOC0 FFFFF5C2H,  
 TP4IOC0 FFFFF5D2H, TP5IOC0 FFFFF5E2H<sup>Note 1</sup>

<R>

|         |   |   |   |   |        |        |        |        |
|---------|---|---|---|---|--------|--------|--------|--------|
| TPnIOC0 | 7 | 6 | 5 | 4 | 3      | <2>    | 1      | <0>    |
|         | 0 | 0 | 0 | 0 | TPnOL1 | TPnOE1 | TPnOL0 | TPnOE0 |

<R>

$\mu$ PD703249Y,  
 $\mu$ PD703252Y  
 n = 0 to 4

|        |                                                  |
|--------|--------------------------------------------------|
| TPnOL1 | TOPn1 pin output level setting <sup>Note 2</sup> |
| 0      | TOPn1 pin high level start                       |
| 1      | TOPn1 pin low level start                        |

<R>

$\mu$ PD703253Y  
 n = 0 to 5

|        |                                                                                                                                                          |
|--------|----------------------------------------------------------------------------------------------------------------------------------------------------------|
| TPnOE1 | TOPn1 pin output setting                                                                                                                                 |
| 0      | Timer output disabled<br>• When TPnOL1 bit = 0: Low level is output from the TOPn1 pin<br>• When TPnOL1 bit = 1: High level is output from the TOPn1 pin |
| 1      | Timer output enabled (a pulse is output from the TOPn1 pin).                                                                                             |

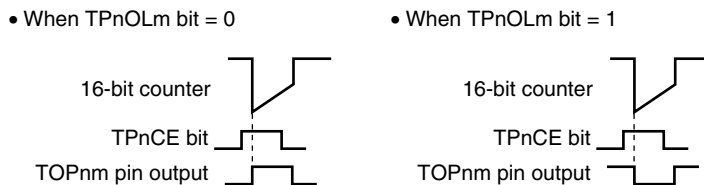
<R>

|        |                                                  |
|--------|--------------------------------------------------|
| TPnOL0 | TOPn0 pin output level setting <sup>Note 2</sup> |
| 0      | TOPn0 pin high level start                       |
| 1      | TOPn0 pin low level start                        |

|        |                                                                                                                                                          |
|--------|----------------------------------------------------------------------------------------------------------------------------------------------------------|
| TPnOE0 | TOPn0 pin output setting                                                                                                                                 |
| 0      | Timer output disabled<br>• When TPnOL0 bit = 0: Low level is output from the TOPn0 pin<br>• When TPnOL0 bit = 1: High level is output from the TOPn0 pin |
| 1      | Timer output enabled (a pulse is output from the TOPn0 pin).                                                                                             |

<R>

- Notes** 1.  $\mu$ PD703253Y only  
 2. The output level of the timer output pins (TOPn0, TOPn1) specified by the TPnOLm bit is shown below (m = 0, 1).



<R>

- Cautions** 1. The pin output changes if the setting of the TPnIOC0 register is rewritten when the port is set to output TOPn0 and TOPn1. Therefore, note changes in the pin status by setting the port to the input mode and making the output status of the pins a high-impedance state.  
 2. Rewrite the TPnOL1, TPnOE1, TPnOL0, and TPnOE0 bits when the TPnCTL0.TPnCE bit = 0. (The same value can be written when the TPnCE bit = 1.) If rewriting was mistakenly performed, clear the TPnCE bit to 0 and then set the bits again.  
 3. Even if the TPnOLm bit is manipulated when the TPnCE and TPnOEm bits are 0, the TOPnm pin output level varies (m = 0, 1).

**(4) TMPn I/O control register 1 (TPnIOC1)**

The TPnIOC1 register is an 8-bit register that controls the valid edge of the capture trigger input signals (TIPn0, TIPn1 pins).

<R> This register can be read or written in 8-bit or 1-bit units.  
Reset sets this register to 00H.

After reset: 00H    R/W    Address:    TP0IOC1 FFFFF593H, TP1IOC1 FFFFF5A3H,  
TP2IOC1 FFFFF5B3H, TP3IOC1 FFFFF5C3H,  
TP4IOC1 FFFFF5D3H, TP5IOC1 FFFFF5E3H<sup>Note</sup>

|                                                                                                                  |        |        |                                                             |   |        |        |        |        |
|------------------------------------------------------------------------------------------------------------------|--------|--------|-------------------------------------------------------------|---|--------|--------|--------|--------|
|                                                                                                                  | 7      | 6      | 5                                                           | 4 | 3      | 2      | 1      | 0      |
| TPnIOC1                                                                                                          | 0      | 0      | 0                                                           | 0 | TPnIS3 | TPnIS2 | TPnIS1 | TPnIS0 |
| $\left[ \begin{array}{l} \mu\text{PD703249Y,} \\ \mu\text{PD703252Y} \\ n = 0 \text{ to } 4 \end{array} \right]$ | TPnIS3 | TPnIS2 | Capture trigger input signal (TIPn1 pin) valid edge setting |   |        |        |        |        |
|                                                                                                                  | 0      | 0      | No edge detection (capture operation invalid)               |   |        |        |        |        |
| $\left[ \begin{array}{l} \mu\text{PD703253Y} \\ n = 0 \text{ to } 5 \end{array} \right]$                         | 0      | 1      | Detection of rising edge                                    |   |        |        |        |        |
|                                                                                                                  | 1      | 0      | Detection of falling edge                                   |   |        |        |        |        |
|                                                                                                                  | 1      | 1      | Detection of both edges                                     |   |        |        |        |        |
|                                                                                                                  | TPnIS1 | TPnIS0 | Capture trigger input signal (TIPn0 pin) valid edge setting |   |        |        |        |        |
|                                                                                                                  | 0      | 0      | No edge detection (capture operation invalid)               |   |        |        |        |        |
|                                                                                                                  | 0      | 1      | Detection of rising edge                                    |   |        |        |        |        |
|                                                                                                                  | 1      | 0      | Detection of falling edge                                   |   |        |        |        |        |
|                                                                                                                  | 1      | 1      | Detection of both edges                                     |   |        |        |        |        |

**Note**  $\mu\text{PD703253Y}$  only

- Cautions**
1. Rewrite the TPnIS3 to TPnIS0 bits when the TPnCTL0.TPnCE bit = 0. (The same value can be written when the TPnCE bit = 1.) If rewriting was mistakenly performed, clear the TPnCE bit to 0 and then set the bits again.
  2. The TPnIS3 to TPnIS0 bits are valid only in the free-running timer mode (only when TPnOPT0.TPnCCS1, TPnCCS0 bits = 11) and the pulse width measurement mode. In all other modes, a capture operation is not possible.





**(6) TMPn option register 0 (TPnOPT0)**

The TPnOPT0 register is an 8-bit register used to set the capture/compare operation and detect an overflow. This register can be read or written in 8-bit or 1-bit units. Reset sets this register to 00H.

<R>

After reset: 00H R/W Address: TP0OPT0 FFFFF595H, TP1OPT0 FFFFF5A5H,  
TP2OPT0 FFFFF5B5H, TP3OPT0 FFFFF5C5H,  
TP4OPT0 FFFFF5D5H, TP5OPT0 FFFFF5E5H<sup>Note</sup>

|         |   |   |         |         |   |   |   |        |
|---------|---|---|---------|---------|---|---|---|--------|
|         | 7 | 6 | 5       | 4       | 3 | 2 | 1 | <0>    |
| TPnOPT0 | 0 | 0 | TPnCCS1 | TPnCCS0 | 0 | 0 | 0 | TPnOVF |

[ $\mu$ PD703249Y,  
 $\mu$ PD703252Y  
n = 0 to 4]

|         |                                            |
|---------|--------------------------------------------|
| TPnCCS1 | TPnCCR1 register capture/compare selection |
|---------|--------------------------------------------|

|   |                           |
|---|---------------------------|
| 0 | Compare register selected |
|---|---------------------------|

|   |                                                                      |
|---|----------------------------------------------------------------------|
| 1 | Capture register selected (cleared by setting TPnCTL0.TPnCE bit = 0) |
|---|----------------------------------------------------------------------|

The TPnCCS1 bit setting is valid only in the free-running timer mode.

<R>

<R>

[ $\mu$ PD703253Y  
n = 0 to 5]

|         |                                            |
|---------|--------------------------------------------|
| TPnCCS0 | TPnCCR0 register capture/compare selection |
|---------|--------------------------------------------|

|   |                           |
|---|---------------------------|
| 0 | Compare register selected |
|---|---------------------------|

|   |                                                                      |
|---|----------------------------------------------------------------------|
| 1 | Capture register selected (cleared by setting TPnCTL0.TPnCE bit = 0) |
|---|----------------------------------------------------------------------|

The TPnCCS0 bit setting is valid only in the free-running timer mode.

<R>

|           |                                               |
|-----------|-----------------------------------------------|
| TPnOVF    | TMPn overflow detection flag                  |
| Set (1)   | Overflow occurred                             |
| Reset (0) | TPnOVF bit 0 written or TPnCTL0.TPnCE bit = 0 |

- The TPnOVF bit is set to 1 when the 16-bit counter count value overflows from FFFFH to 0000H in the free-running timer mode or the pulse width measurement mode.
- An overflow interrupt request signal (INTTPnOV) is generated at the same time that the TPnOVF bit is set to 1. The INTTPnOV signal is not generated in modes other than the free-running timer mode and the pulse width measurement mode.
- The TPnOVF bit is not cleared to 0 even when the TPnOVF bit or the TPnOPT0 register are read when the TPnOVF bit = 1.
- Before clearing the TPnOVF bit to 0 after the INTTPnOV signal has been generated, be sure to confirm (read) that the TPnOVF bit is set to 1.
- The TPnOVF bit can be both read and written, but the TPnOVF bit cannot be set to 1 by software. Writing 1 has no influence on the operation of TMPn.

<R>

<R>

**Note**  $\mu$ PD703253Y only

- Cautions**
1. Rewrite the TPnCCS1 and TPnCCS0 bits when the TPnCE bit = 0. (The same value can be written when the TPnCE bit = 1.) If rewriting was mistakenly performed, clear the TPnCE bit to 0 and then set the bits again.
  2. Be sure to clear bits 1 to 3, 6, and 7 to "0".

**(7) TMPn capture/compare register 0 (TPnCCR0)**

The TPnCCR0 register is a 16-bit register that can be used as a capture register or a compare register depending on the mode.

This register can be used as a capture register or a compare register only in the free-running timer mode, depending on the setting of the TPnOPT0.TPnCCS0 bit. In the pulse width measurement mode, the TPnCCR0 register can be used only as a capture register. In any other mode, this register can be used only as a compare register.

The TPnCCR0 register can be read or written during operation.

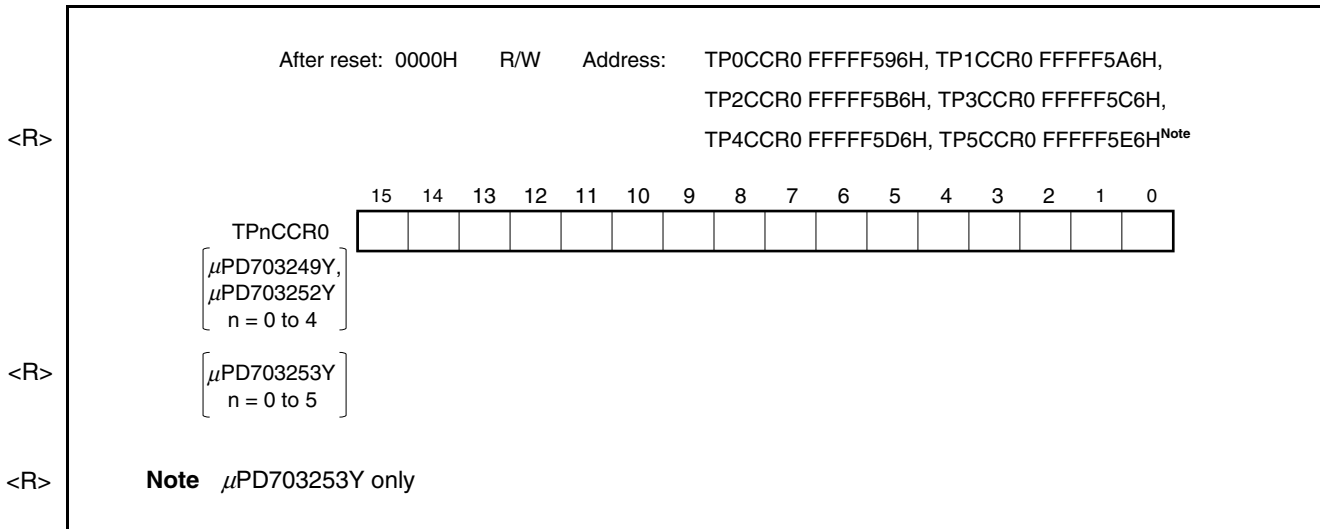
This register can be read or written in 16-bit units.

Reset sets this register to 0000H.

**Caution** Accessing the TPnCCR0 register is prohibited in the following statuses. For details, see 3.4.9

**(2) Accessing specific on-chip peripheral I/O registers.**

- When the CPU operates with the subclock and the main clock oscillation is stopped
- When the CPU operates with the internal oscillation clock



**(a) Function as compare register**

The TPnCCR0 register can be rewritten even when the TPnCTL0.TPnCE bit = 1.

The set value of the TPnCCR0 register is transferred to the CCR0 buffer register. When the value of the 16-bit counter matches the value of the CCR0 buffer register, a compare match interrupt request signal (INTTPnCC0) is generated. If TOPn0 pin output is enabled at this time, the output of the TOPn0 pin is inverted.

When the TPnCCR0 register is used as a cycle register in the interval timer mode, external event count mode, external trigger pulse output mode, one-shot pulse output mode, or PWM output mode, the value of the 16-bit counter is cleared (0000H) if its count value matches the value of the CCR0 buffer register.

<R> The compare register is not cleared when the TPnCTL0.TPnCE bit = 0.

**(b) Function as capture register**

When the TPnCCR0 register is used as a capture register in the free-running timer mode, the count value of the 16-bit counter is stored in the TPnCCR0 register if the valid edge of the capture trigger input pin (TIPn0 pin) is detected. In the pulse-width measurement mode, the count value of the 16-bit counter is stored in the TPnCCR0 register and the 16-bit counter is cleared (0000H) if the valid edge of the capture trigger input pin (TIPn0) is detected.

Even if the capture operation and reading the TPnCCR0 register conflict, the correct value of the TPnCCR0 register can be read.

<R> The capture register is cleared when the TPnCTL0.TPnCE bit = 0.

**Remark**  $\mu$ PD703249Y and 703252Y: n = 0 to 4  
 $\mu$ PD703253Y: n = 0 to 5

<R>

The following table shows the functions of the capture/compare register in each mode, and how to write data to the compare register.

**Table 7-2. Function of Capture/Compare Register in Each Mode and How to Write Compare Register**

| Operation Mode                | Capture/Compare Register | How to Write Compare Register |
|-------------------------------|--------------------------|-------------------------------|
| Interval timer                | Compare register         | Anytime write                 |
| External event counter        | Compare register         | Anytime write                 |
| External trigger pulse output | Compare register         | Batch write <sup>Note</sup>   |
| One-shot pulse output         | Compare register         | Anytime write                 |
| PWM output                    | Compare register         | Batch write <sup>Note</sup>   |
| Free-running timer            | Capture/compare register | Anytime write                 |
| Pulse width measurement       | Capture register         | None                          |

<R>

<R>

<R>

**Note** Triggered by writing to the TPnCCR1 register

<R>

**Remark** For details of anytime write and batch write, see 7.6 (2) Anytime write and batch write.

**(8) TMPn capture/compare register 1 (TPnCCR1)**

The TPnCCR1 register is a 16-bit register that can be used as a capture register or a compare register depending on the mode.

This register can be used as a capture register or a compare register only in the free-running timer mode, depending on the setting of the TPnOPT0.TPnCCS1 bit. In the pulse width measurement mode, the TPnCCR1 register can be used only as a capture register. In any other mode, this register can be used only as a compare register.

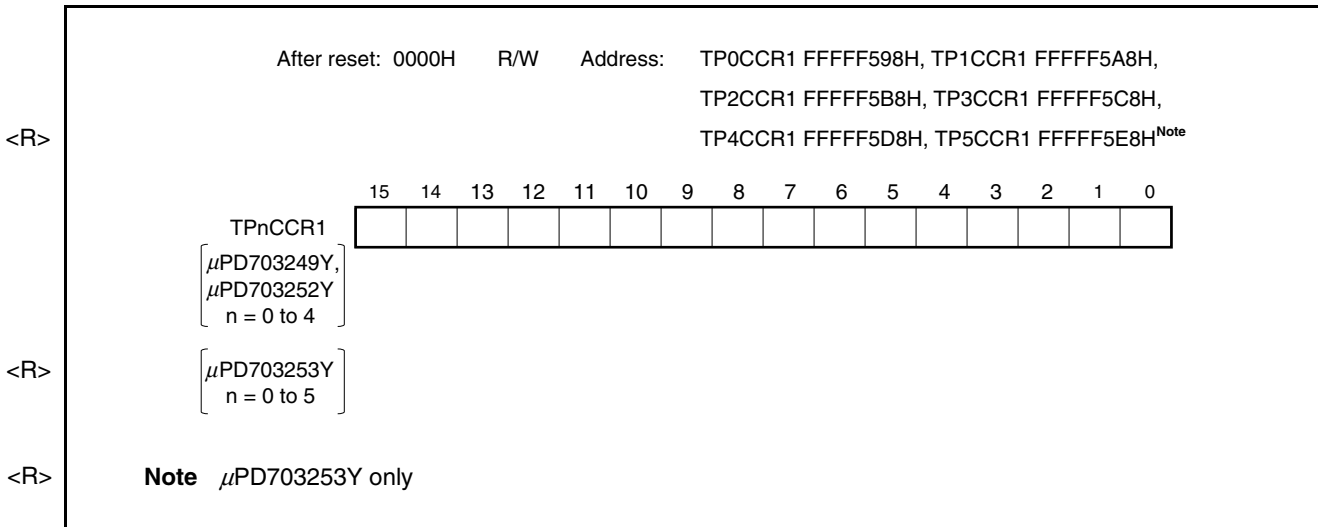
The TPnCCR1 register can be read or written during operation.

This register can be read or written in 16-bit units.

Reset sets this register to 0000H.

**Caution** Accessing the TPnCCR1 register is prohibited in the following statuses. For details, see 3.4.9 (2) Accessing specific on-chip peripheral I/O registers.

- When the CPU operates with the subclock and the main clock oscillation is stopped
- When the CPU operates with the internal oscillation clock



**(a) Function as compare register**

The TPnCCR1 register can be rewritten even when the TPnCTL0.TPnCE bit = 1.

The set value of the TPnCCR1 register is transferred to the CCR1 buffer register. When the value of the 16-bit counter matches the value of the CCR1 buffer register, a compare match interrupt request signal (INTTPnCC1) is generated. If TOPn1 pin output is enabled at this time, the output of the TOPn1 pin is inverted.

<R> The compare register is not cleared when the TPnCTL0.TPnCE bit = 0.

**(b) Function as capture register**

When the TPnCCR1 register is used as a capture register in the free-running timer mode, the count value of the 16-bit counter is stored in the TPnCCR1 register if the valid edge of the capture trigger input pin (TIPn1 pin) is detected. In the pulse-width measurement mode, the count value of the 16-bit counter is stored in the TPnCCR1 register and the 16-bit counter is cleared (0000H) if the valid edge of the capture trigger input pin (TIPn1) is detected.

Even if the capture operation and reading the TPnCCR1 register conflict, the correct value of the TPnCCR1 register can be read.

<R> The capture register is cleared when the TPnCTL0.TPnCE bit = 0.

**Remark**  $\mu$ PD703249Y and 703252Y: n = 0 to 4

<R>  $\mu$ PD703253Y: n = 0 to 5

The following table shows the functions of the capture/compare register in each mode, and how to write data to the compare register.

**Table 7-3. Function of Capture/Compare Register in Each Mode and How to Write Compare Register**

| Operation Mode                | Capture/Compare Register | How to Write Compare Register |
|-------------------------------|--------------------------|-------------------------------|
| Interval timer                | Compare register         | Anytime write                 |
| External event counter        | Compare register         | Anytime write                 |
| External trigger pulse output | Compare register         | Batch write <sup>Note</sup>   |
| One-shot pulse output         | Compare register         | Anytime write                 |
| PWM output                    | Compare register         | Batch write <sup>Note</sup>   |
| Free-running timer            | Capture/compare register | Anytime write                 |
| Pulse width measurement       | Capture register         | None                          |

<R>

<R>

<R> **Note** Triggered by writing to the TPnCCR1 register

<R> **Remark** For anytime write and batch write, see 7.6 (2) Anytime write and batch write.

**(9) TMPn counter read buffer register (TPnCNT)**

The TPnCNT register is a read buffer register that can read the count value of the 16-bit counter.

If this register is read when the TPnCTL0.TPnCE bit = 1, the count value of the 16-bit timer can be read.

This register is read-only, in 16-bit units.

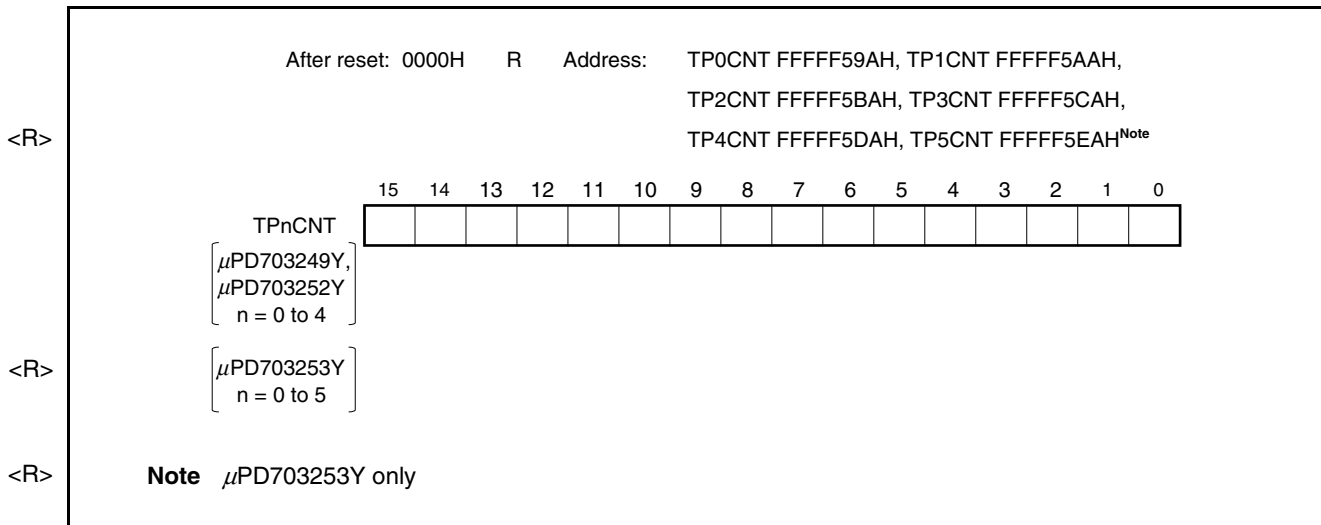
The value of the TPnCNT register is cleared to 0000H when the TPnCE bit = 0. If the TPnCNT register is read at this time, the value of the 16-bit counter (FFFFH) is not read, but 0000H is read.

The value of the TPnCNT register is cleared to 0000H after reset, as the TPnCE bit is cleared to 0.

**Caution** Accessing the TPnCNT register is prohibited in the following statuses. For details, see 3.4.9

**(2) Accessing specific on-chip peripheral I/O registers.**

- When the CPU operates with the subclock and the main clock oscillation is stopped
- When the CPU operates with the internal oscillation clock



## 7.5 Timer Output Operations

The following table shows the operations and output levels of the TOPn0 and TOPn1 pins.

**Table 7-4. Timer Output Control in Each Mode**

| Operation Mode                     | TOPn1 Pin                                               | TOPn0 Pin          |
|------------------------------------|---------------------------------------------------------|--------------------|
| Interval timer mode                | Square wave output                                      |                    |
| External event count mode          | None                                                    |                    |
| External trigger pulse output mode | External trigger pulse output                           | Square wave output |
| One-shot pulse output mode         | One-shot pulse output                                   |                    |
| PWM output mode                    | PWM output                                              |                    |
| Free-running timer mode            | Square wave output (only when compare function is used) |                    |
| Pulse width measurement mode       | None                                                    |                    |

<R>

**Remark**  $\mu$ PD703249Y and 703252Y: n = 0 to 4  
 $\mu$ PD703253Y: n = 0 to 5

<R>

**Table 7-5. Truth Table of TOPn0 and TOPn1 Pins Under Control of Timer Output Control Bits**

| TPnIOC0.TPnOLm Bit | TPnIOC0.TPnOEm Bit | TPnCTL0.TPnCE Bit | Level of TOPnm Pin                                                          |
|--------------------|--------------------|-------------------|-----------------------------------------------------------------------------|
| 0                  | 0                  | ×                 | Low-level output                                                            |
|                    | 1                  | 0                 | Low-level output                                                            |
|                    |                    | 1                 | Low level immediately before counting, high level after counting is started |
| 1                  | 0                  | ×                 | High-level output                                                           |
|                    | 1                  | 0                 | High-level output                                                           |
|                    |                    | 1                 | High level immediately before counting, low level after counting is started |

**Remark**  $\mu$ PD703249Y and 703252Y: n = 0 to 4, m = 0 or 1  
 $\mu$ PD703253Y: n = 0 to 5, m = 0 or 1

<R>

## 7.6 Operation

TMPn can perform the following operations.

| Operation                                            | TPnCTL1.TPnEST Bit<br>(Software Trigger Bit) | TIPn0 Pin<br>(External Trigger Input) | Capture/Compare<br>Register Setting | Compare Register<br>Write |
|------------------------------------------------------|----------------------------------------------|---------------------------------------|-------------------------------------|---------------------------|
| Interval timer mode                                  | Invalid                                      | Invalid                               | Compare only                        | Anytime write             |
| External event count mode <sup>Note 1</sup>          | Invalid                                      | Invalid                               | Compare only                        | Anytime write             |
| External trigger pulse output mode <sup>Note 2</sup> | Valid                                        | Valid                                 | Compare only                        | Batch write               |
| One-shot pulse output mode <sup>Note 2</sup>         | Valid                                        | Valid                                 | Compare only                        | Anytime write             |
| PWM output mode                                      | Invalid                                      | Invalid                               | Compare only                        | Batch write               |
| Free-running timer mode                              | Invalid                                      | Invalid                               | Switching enabled                   | Anytime write             |
| Pulse width measurement mode <sup>Note 2</sup>       | Invalid                                      | Invalid                               | Capture only                        | Not applicable            |

**Notes 1.** To use the external event count mode, specify that the valid edge of the TIPn0 pin capture trigger input is not detected (by clearing the TPnIOC1.TPnIS1 and TPnIOC1.TPnIS0 bits to “00”).

**2.** To use the external trigger pulse output mode, one-shot pulse output mode, or pulse width measurement mode, select the internal clock (by setting the TPnCTL1.TPnEEE bit to 0) as the count clock.

**Remark**  $\mu$ PD703249Y and 703252Y: n = 0 to 4

<R>  $\mu$ PD703253Y: n = 0 to 5



&lt;R&gt;

**(1) Counter basic operation**

This section explains the basic operation of the 16-bit counter. For details, refer to the description of the operation in each mode.

**Remark**  $\mu$ PD703249Y and 703252Y: n = 0 to 4  
 $\mu$ PD703253Y: n = 0 to 5

**(a) Counter start operation**

The 16-bit counter of TMPn starts counting from the default value FFFFH in all modes. It counts up from FFFFH to 0000H, 0001H, 0002H, 0003H, and so on.

**(b) Clear operation**

The 16-bit counter is cleared to 0000H when its value matches the value of the compare register and is cleared, and when its value is captured and cleared. The counting operation from FFFFH to 0000H that takes place immediately after the counter has started counting or when the counter overflows is not a clearing operation. Therefore, the INTTPnCC0 and INTTPnCC1 interrupt signals are not generated.

**(c) Overflow operation**

The 16-bit counter overflows when the counter counts up from FFFFH to 0000H in the free-running timer mode or pulse width measurement mode. If the counter overflows, the TPnOPT0.TPnOVF bit is set to 1 and an interrupt request signal (INTTPnOV) is generated. Note that the INTTPnOV signal is not generated under the following conditions.

- Immediately after a counting operation has been started
- If the counter value matches the compare value FFFFH and is cleared
- When FFFFH is captured and cleared in the pulse width measurement mode and the counter counts up from FFFFH to 0000H

**Caution** After the overflow interrupt request signal (INTTPnOV) has been generated, be sure to check that the overflow flag (TPnOVF bit) is set to 1.

**(d) Counter read operation during counting operation**

The value of the 16-bit counter of TMPn can be read by using the TPnCNT register during the count operation. When the TPnCTL0.TPnCE bit = 1, the value of the 16-bit counter can be read by reading the TPnCNT register. When the TPnCTL0.TPnCE bit = 0, the 16-bit counter is FFFFH and the TPnCNT register is 0000H.

**(e) Interrupt operation**

TMPn generates the following three types of interrupt request signals.

- INTTPnCC0 interrupt: This signal functions as a match interrupt request signal of the CCR0 buffer register and as a capture interrupt request signal to the TPnCCR0 register.
- INTTPnCC1 interrupt: This signal functions as a match interrupt request signal of the CCR1 buffer register and as a capture interrupt request signal to the TPnCCR1 register.
- INTTPnOV interrupt: This signal functions as an overflow interrupt request signal.

## &lt;R&gt; (2) Anytime write and batch write

The TPnCCR0 and TPnCCR1 registers in TMPn can be rewritten during timer operation (TPnCTL0.TPnCE bit = 1), but the write method (anytime write, batch write) of the CCR0 and CCR1 buffer registers differs depending on the mode.

## (a) Anytime write

In this mode, data is transferred at any time from the TPnCCR0 and TPnCCR1 registers to the CCR0 and CCR1 buffer registers during timer operation. ( $\mu$ PD703249Y and 703252Y: n = 0 to 4,  $\mu$ PD703253Y: n = 0 to 5)

Figure 7-2. Flowchart of Basic Operation for Anytime Write

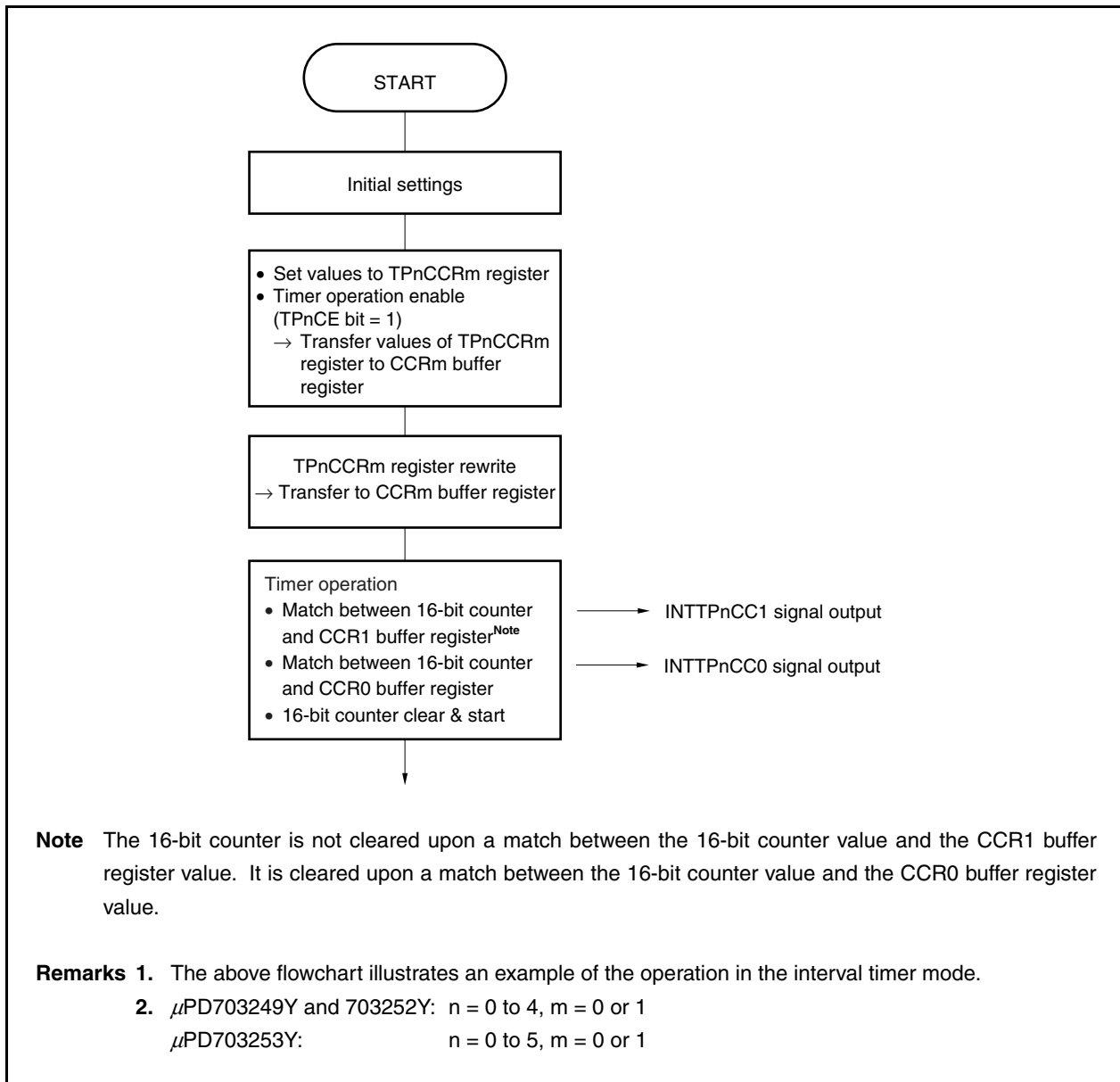
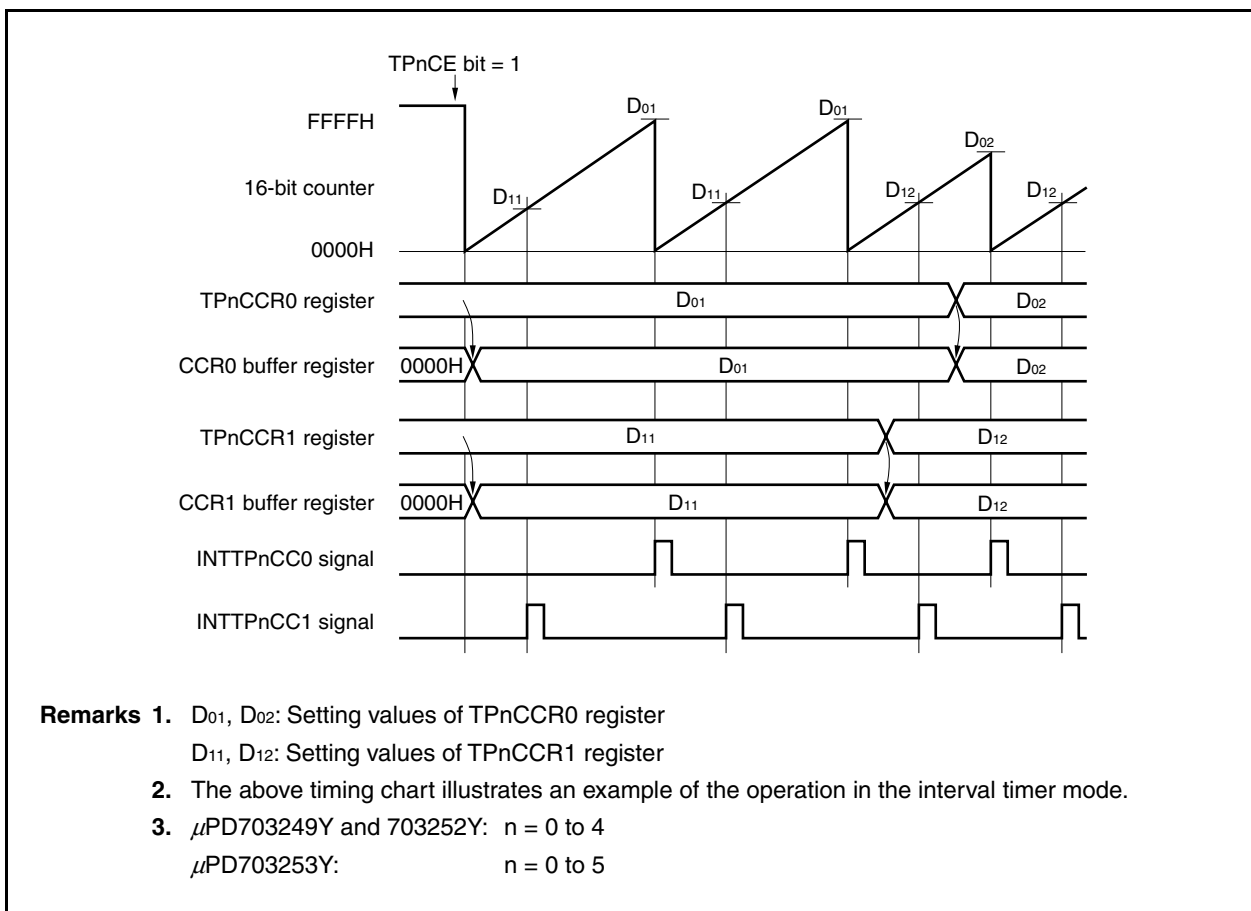


Figure 7-3. Timing of Anytime Write



**(b) Batch write**

In this mode, data is transferred all at once from the TPnCCR0 and TPnCCR1 registers to the CCR0 and CCR1 buffer registers during timer operation. This data is transferred upon a match between the value of the CCR0 buffer register and the value of the 16-bit counter. Transfer is enabled by writing to the TPnCCR1 register.

Whether to enable or disable the next transfer timing is controlled by writing or not writing to the TPnCCR1 register.

In order for the setting value when the TPnCCR0 and TPnCCR1 registers are rewritten to become the 16-bit counter comparison value (in other words, in order for this value to be transferred to the CCR0 and CCR1 buffer registers), it is necessary to rewrite the TPnCCR0 register and then write to the TPnCCR1 register before the 16-bit counter value and the CCR0 buffer register value match. Therefore, the values of the TPnCCR0 and TPnCCR1 registers are transferred to the CCR0 and CCR1 buffer registers upon a match between the count value of the 16-bit counter and the value of the CCR0 buffer register. Thus even when wishing only to rewrite the value of the TPnCCR0 register, also write the same value (same as preset value of the TPnCCR1 register) to the TPnCCR1 register.

Figure 7-4. Flowchart of Basic Operation for Batch Write

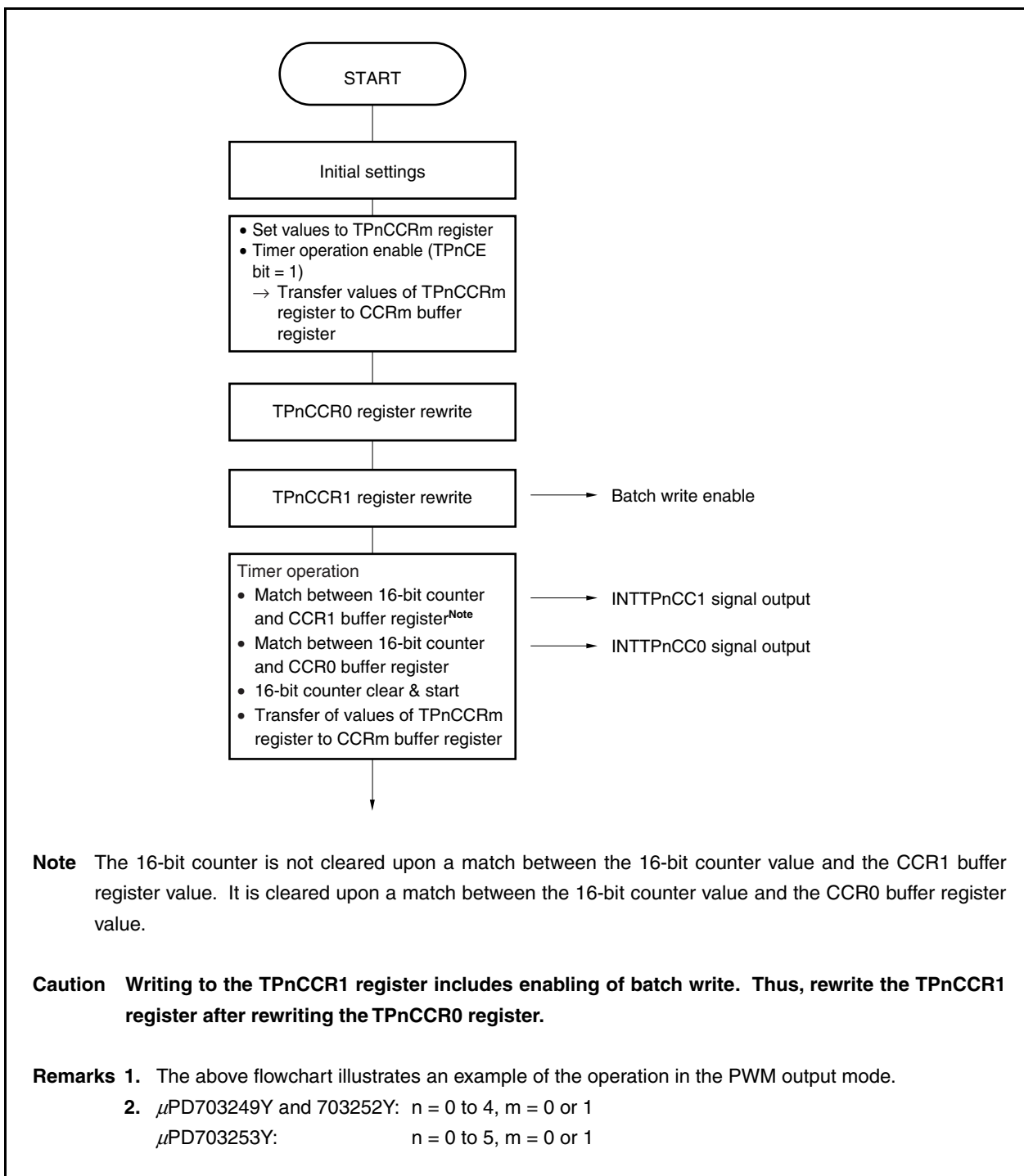
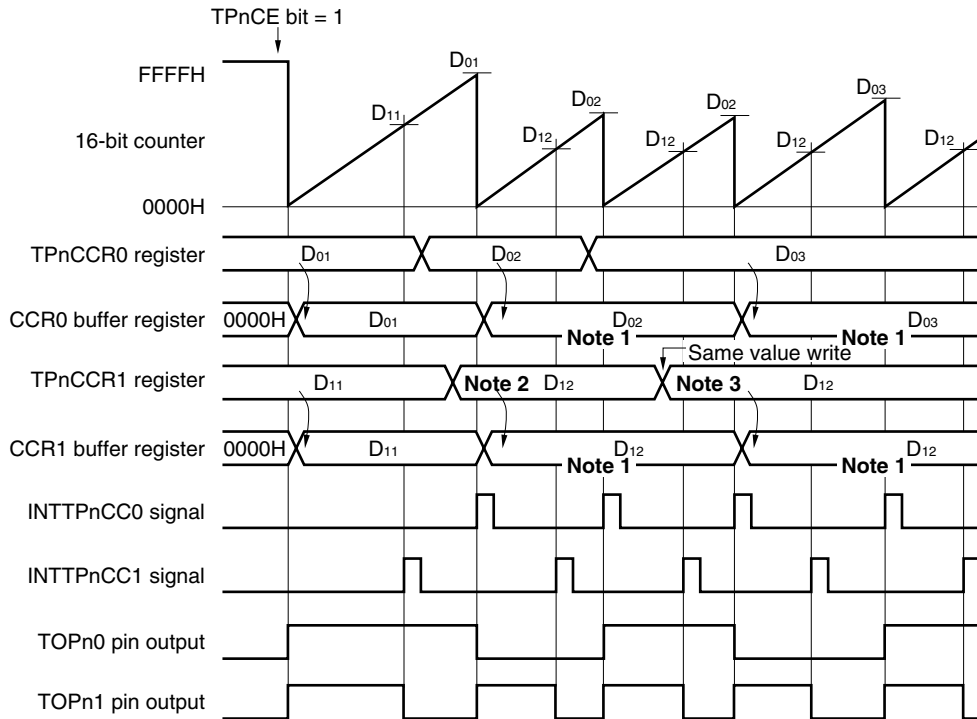


Figure 7-5. Timing of Batch Write



- Notes 1.** Because the TPnCCR1 register was not rewritten, D<sub>03</sub> is not transferred.
- 2.** Because the TPnCCR1 register has been written (D<sub>12</sub>), data is transferred to the CCR1 buffer register upon a match between the value of the 16-bit counter and the value of the TPnCCR0 register (D<sub>01</sub>).
- 3.** Because the TPnCCR1 register has been written (D<sub>12</sub>), data is transferred to the CCR1 buffer register upon a match between the value of the 16-bit counter and the value of the TPnCCR0 register (D<sub>02</sub>).

- Remarks 1.** D<sub>01</sub>, D<sub>02</sub>, D<sub>03</sub>: Setting values of TPnCCR0 register  
D<sub>11</sub>, D<sub>12</sub>: Setting values of TPnCCR1 register
- 2.** The above timing chart illustrates the operation in the PWM output mode as an example.
- 3.**  $\mu$ PD703249Y and 703252Y: n = 0 to 4  
 $\mu$ PD703253Y: n = 0 to 5

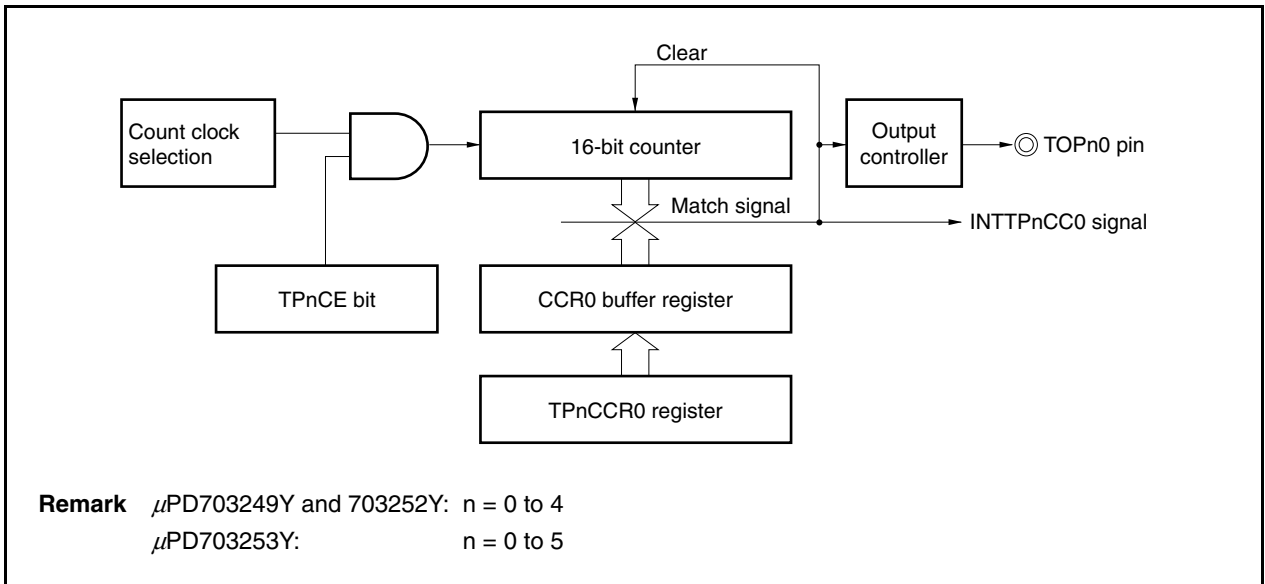
<R> **7.6.1 Interval timer mode (TPnMD2 to TPnMD0 bits = 000)**

In the interval timer mode, an interrupt request signal (INTTPnCC0) is generated at the interval set by the TPnCCR0 register if the TPnCTL0.TPnCE bit is set to 1. A square wave with a duty factor of 50% whose half cycle is equal to the interval can be output from the TOPn0 pin.

The TPnCCR1 register is not used in the interval timer mode. However, the set value of the TPnCCR1 register is transferred to the CCR1 buffer register, and when the count value of the 16-bit counter matches the value of the CCR1 buffer register, a compare match interrupt request signal (INTTPnCC1) is generated. In addition, a square wave with a duty factor of 50%, which is inverted when the INTTPnCC1 signal is generated, can be output from the TOPn1 pin.

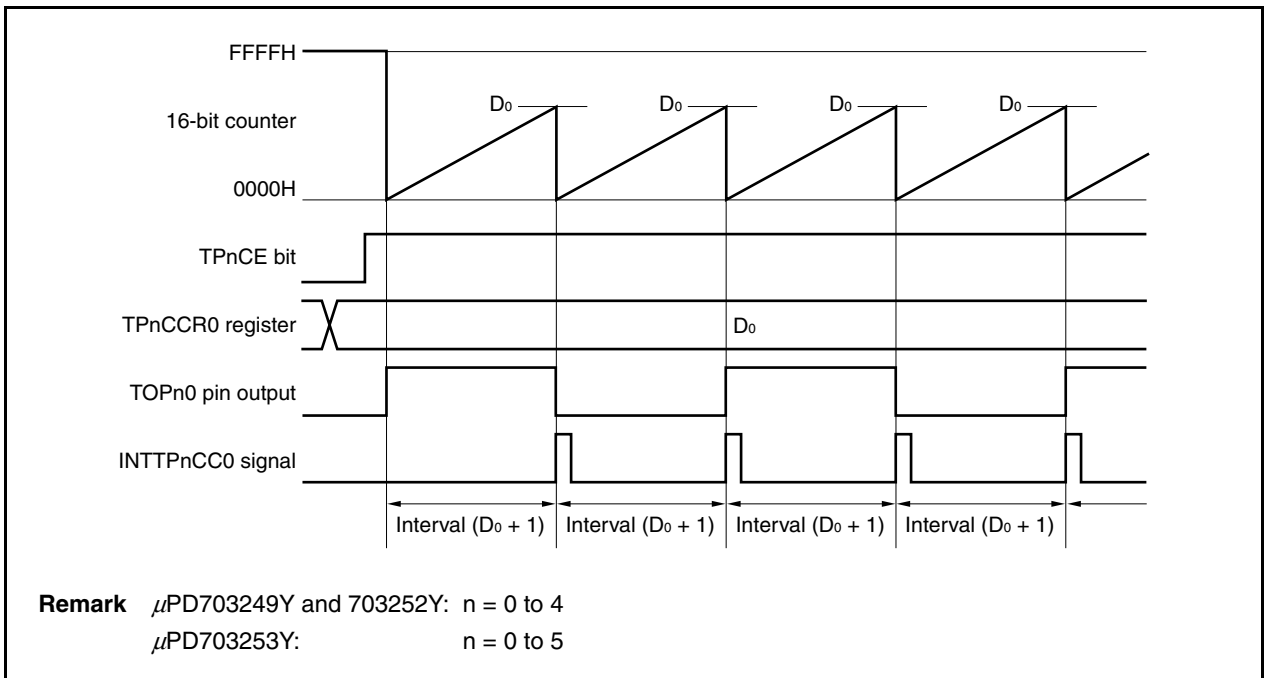
The value of the TPnCCR0 and TPnCCR1 registers can be rewritten even while the timer is operating.

**Figure 7-6. Configuration of Interval Timer**



<R>

**Figure 7-7. Basic Timing of Operation in Interval Timer Mode**



<R>

When the TPnCE bit is set to 1, the value of the 16-bit counter is cleared from FFFFH to 0000H in synchronization with the count clock, and the counter starts counting. At this time, the output of the TOPn0 pin is inverted. Additionally, the set value of the TPnCCR0 register is transferred to the CCR0 buffer register.

When the count value of the 16-bit counter matches the value of the CCR0 buffer register, the 16-bit counter is cleared to 0000H, the output of the TOPn0 pin is inverted, and a compare match interrupt request signal (INTTPnCC0) is generated.

The interval can be calculated by the following expression.

$$\text{Interval} = (\text{Set value of TPnCCR0 register} + 1) \times \text{Count clock cycle}$$

**Remark**  $\mu$ PD703249Y and 703252Y: n = 0 to 4

<R>  $\mu$ PD703253Y: n = 0 to 5

**Figure 7-8. Register Setting for Interval Timer Mode Operation (1/3)**

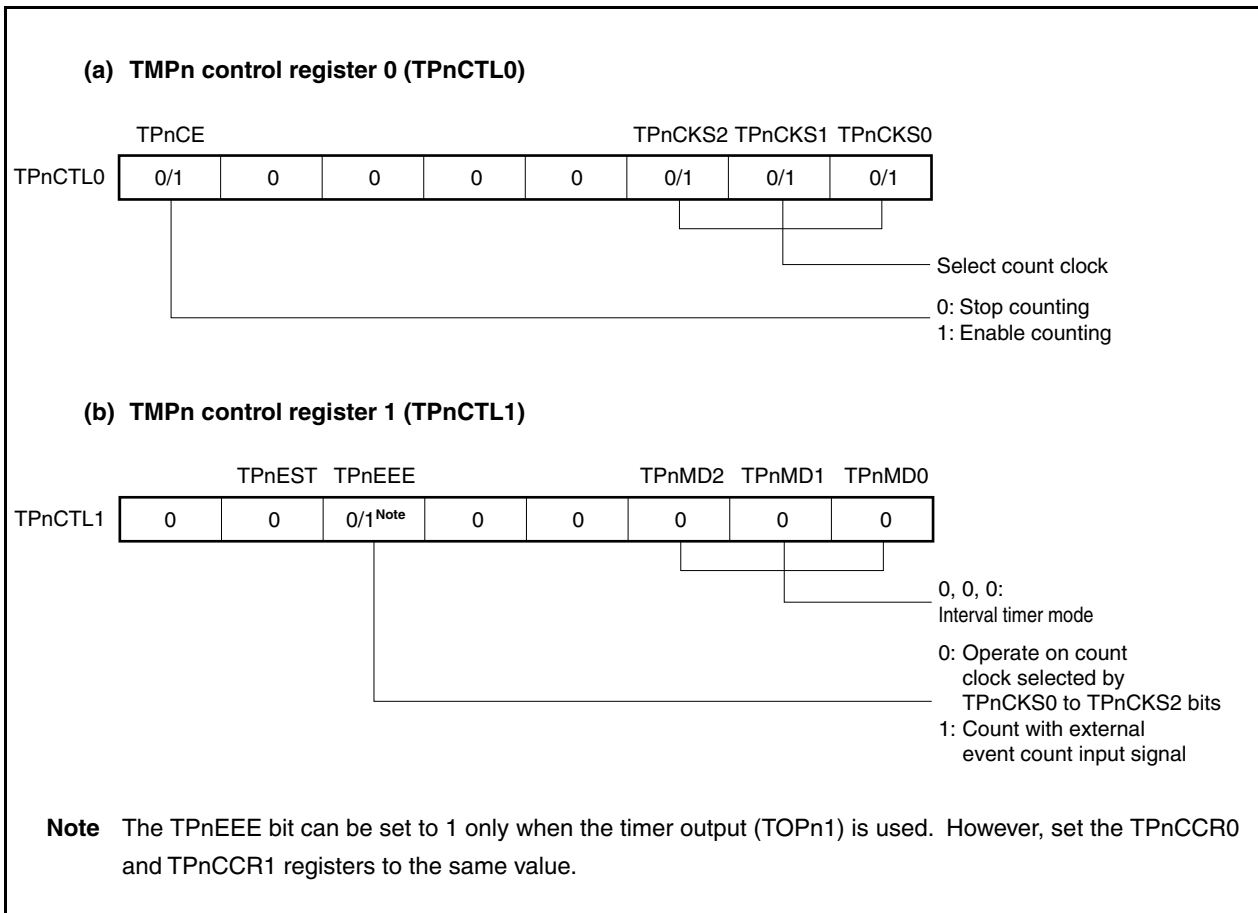
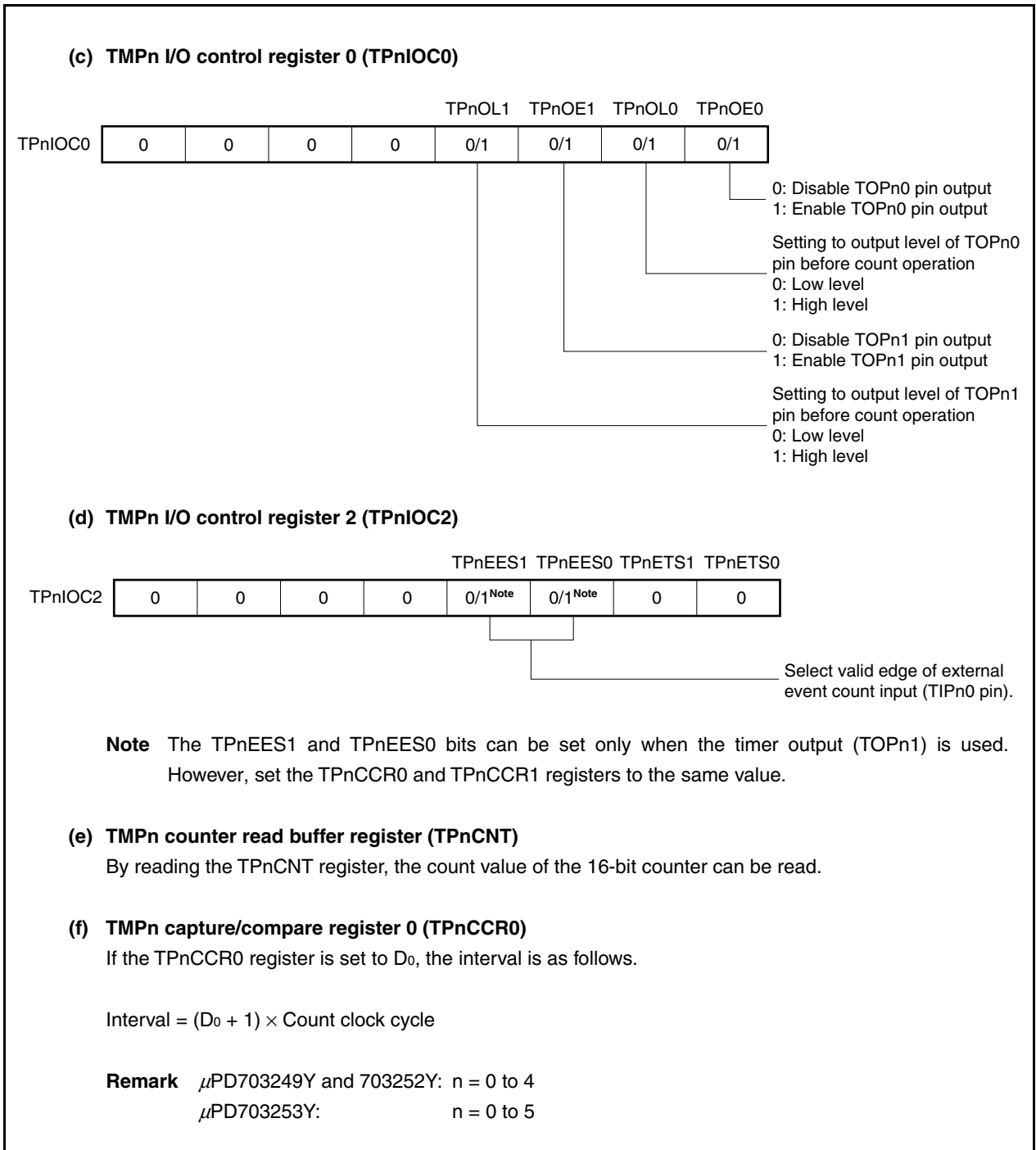




Figure 7-8. Register Setting for Interval Timer Mode Operation (2/3)



<R>

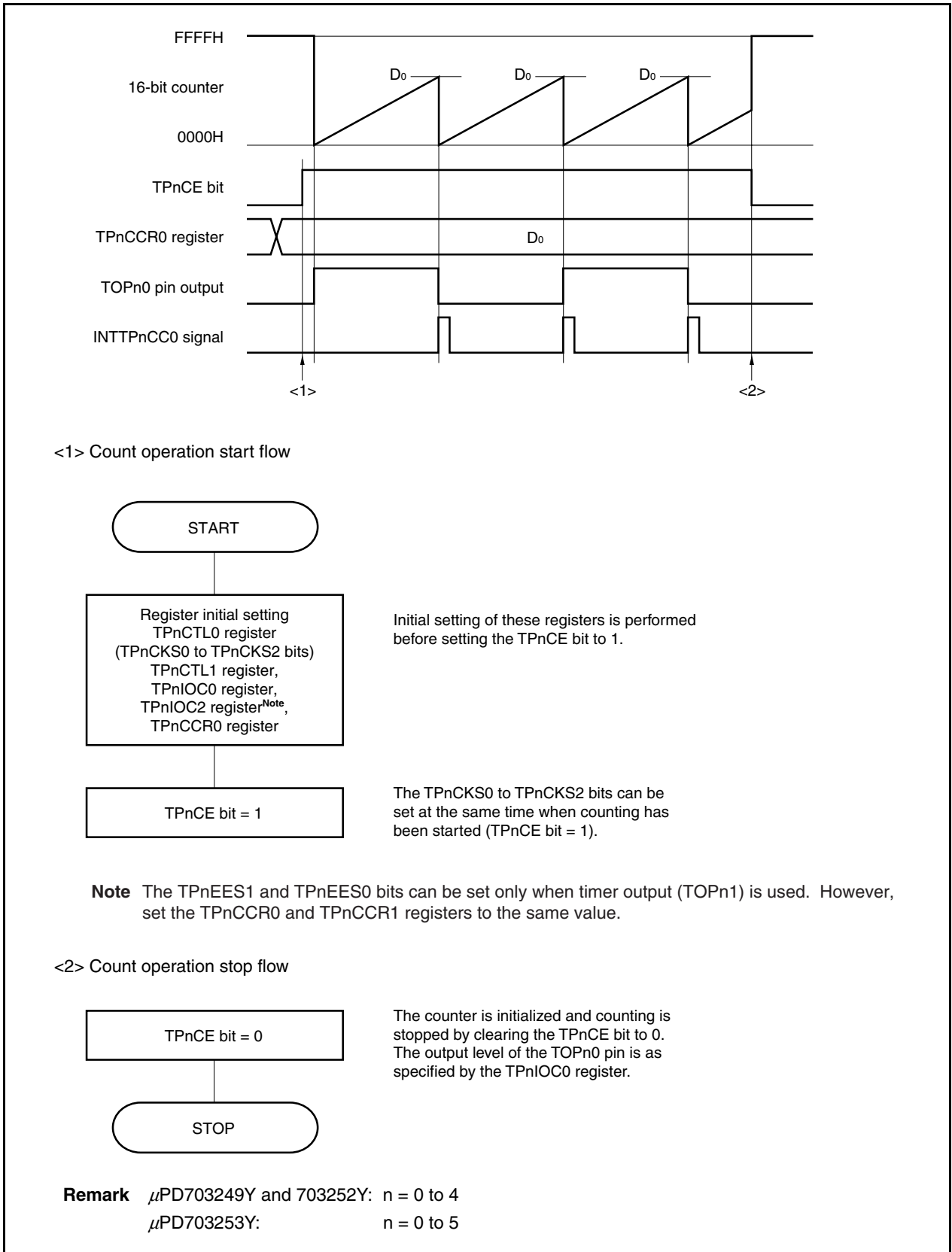
<R>

Figure 7-8. Register Setting for Interval Timer Mode Operation (3/3)

- <R> **(g) TMPn capture/compare register 1 (TPnCCR1)**  
 The TPnCCR1 register is not used in the interval timer mode. However, the set value of the TPnCCR1 register is transferred to the CCR1 buffer register. When the count value of the 16-bit counter matches the value of the CCR1 buffer register, the TOPn1 pin output is inverted and a compare match interrupt request signal (INTTPnCC1) is generated.  
 By setting this register to the same value as the value set in the TPnCCR0 register, a square wave with a duty factor of 50% can be output from the TOPn1 pin.  
 When the TPnCCR1 register is not used, it is recommended to set its value to FFFFH. Also mask the register by the interrupt mask flag (TPnCCIC1.TPnCCMK1).
- <R> **Remarks** 1. TMPn I/O control register 1 (TPnIOC1) and TMPn option register 0 (TPnOPT0) are not used in the interval timer mode.
- <R> 2.  $\mu$ PD703249Y and 703252Y: n = 0 to 4  
 $\mu$ PD703253Y: n = 0 to 5

(1) Interval timer mode operation flow

Figure 7-9. Software Processing Flow in Interval Timer Mode

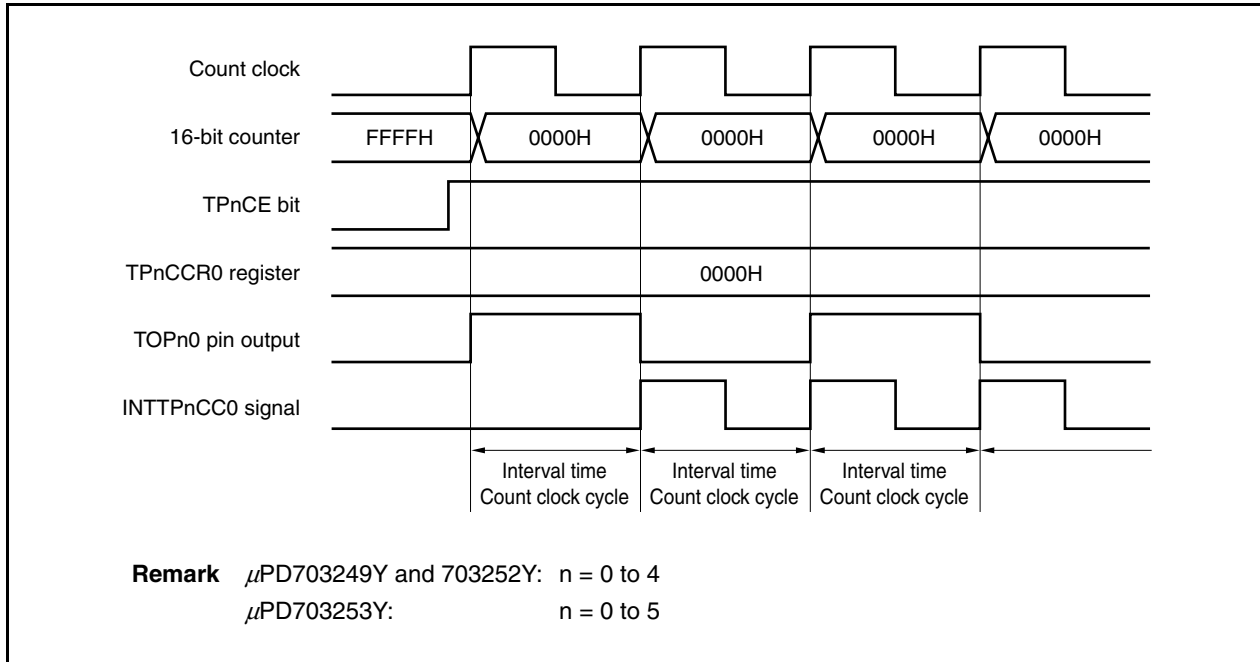


(2) Interval timer mode operation timing

<R> (a) Operation if TPnCCR0 register is set to 0000H

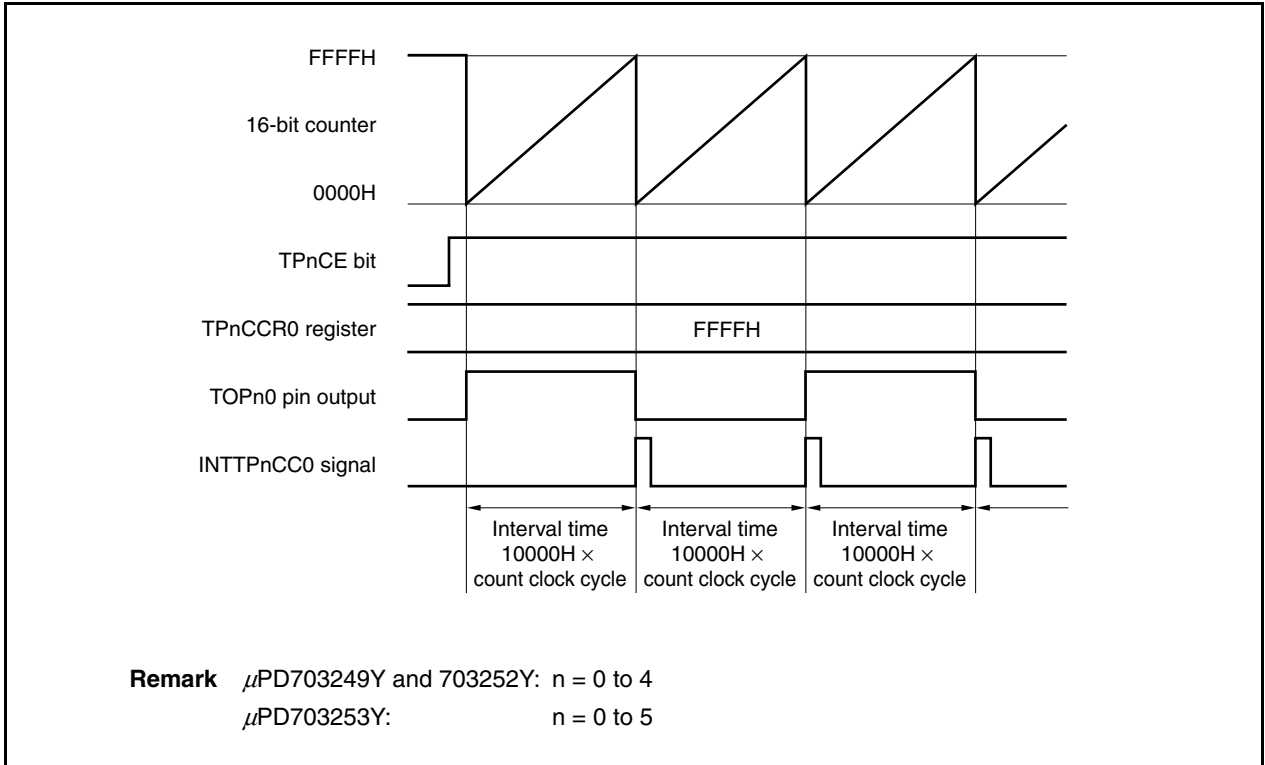
If the TPnCCR0 register is set to 0000H, the INTTPnCC0 signal is generated at each count clock, and the output of the TOPn0 pin is inverted.

The value of the 16-bit counter is always 0000H.



**(b) Operation if TPnCCR0 register is set to FFFFH**

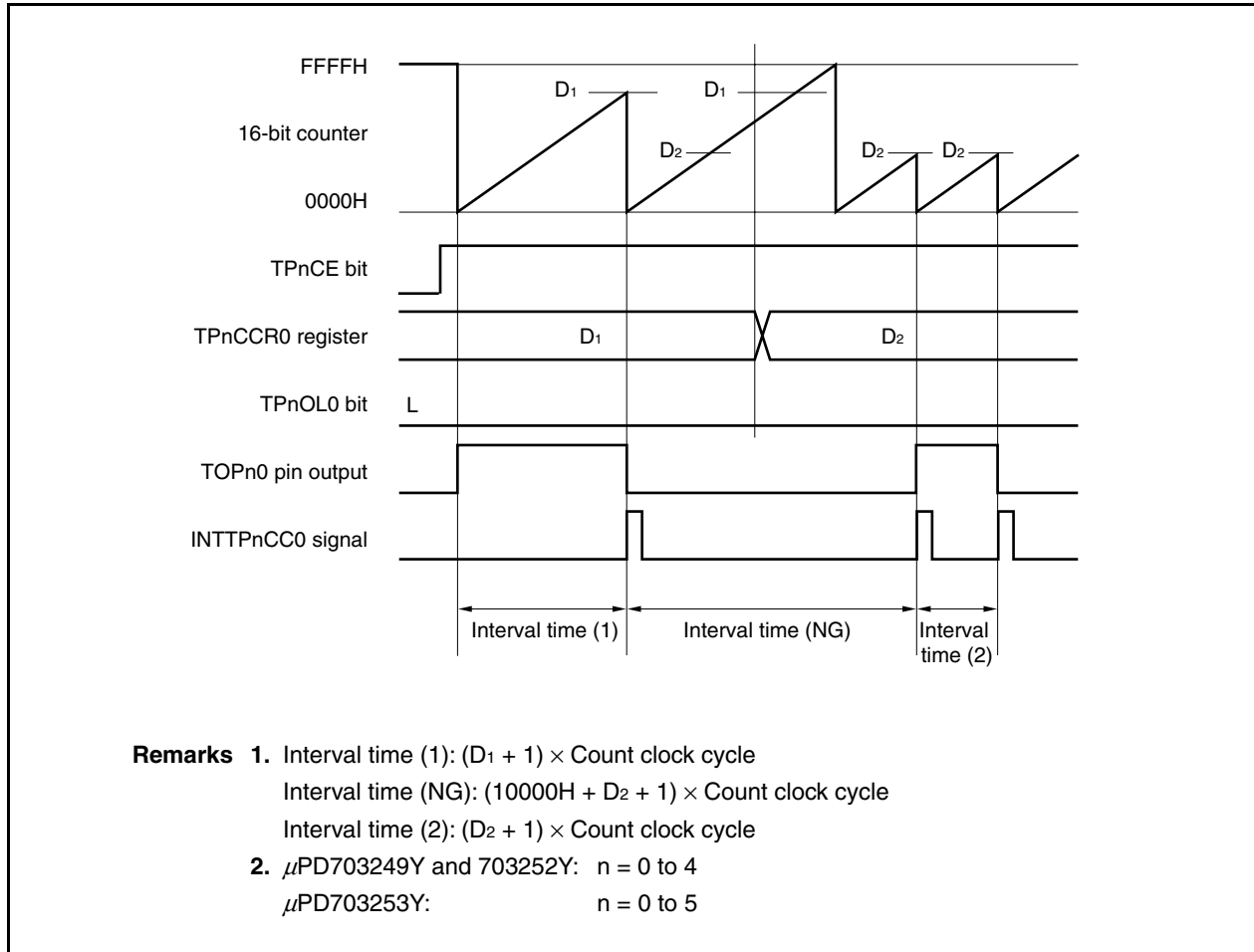
If the TPnCCR0 register is set to FFFFH, the 16-bit counter counts up to FFFFH. The counter is cleared to 0000H in synchronization with the next count-up timing. The INTTPnCC0 signal is generated and the output of the TOPn0 pin is inverted. At this time, an overflow interrupt request signal (INTTPnOV) is not generated, nor is the overflow flag (TPnOPT0.TPnOVF bit) set to 1.



<R>

**(c) Notes on rewriting TPnCCR0 register**

When the value of the TPnCCR0 register is rewritten to a smaller value during counting, the 16-bit counter may overflow. If there is a possibility of overflow, stop counting and then change the set value.



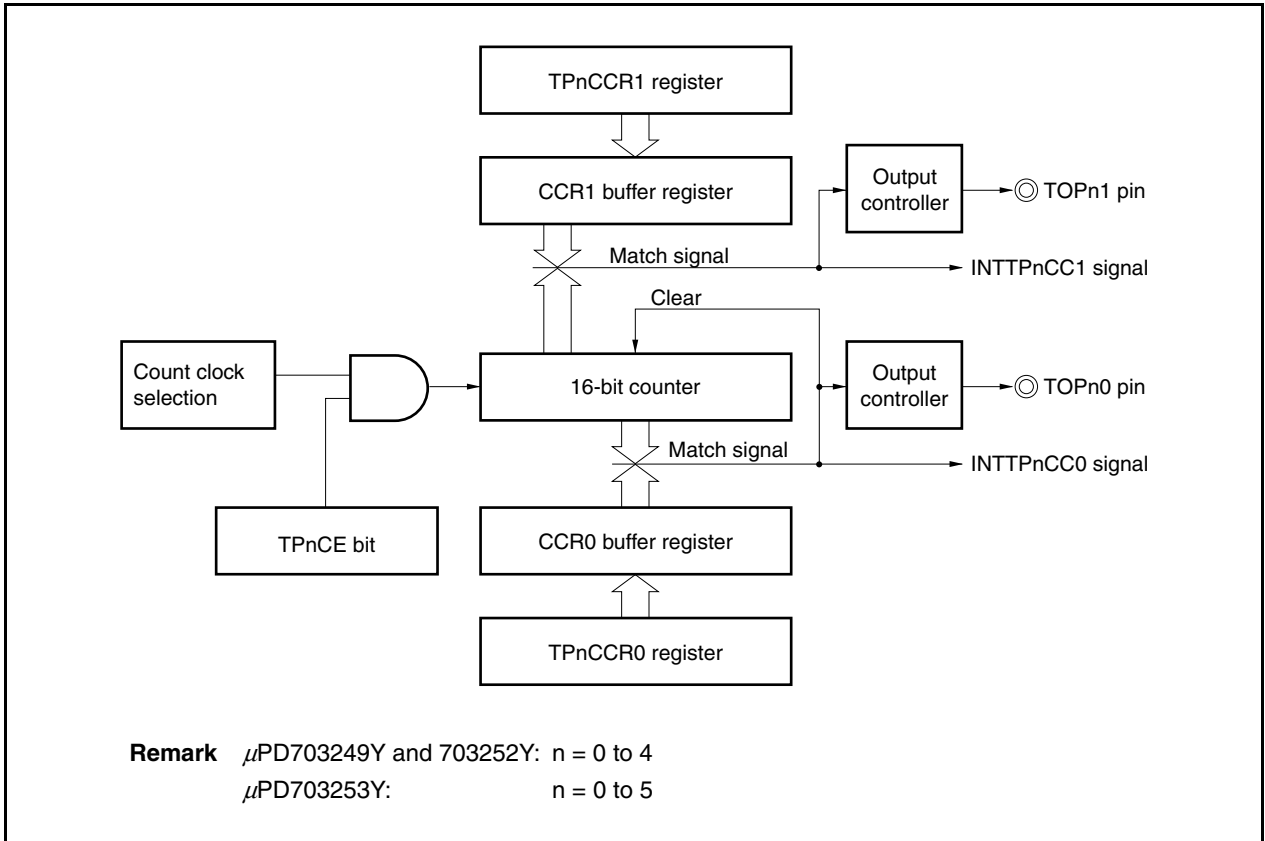
If the value of the TPnCCR0 register is changed from  $D_1$  to  $D_2$  while the count value is greater than  $D_2$  but less than  $D_1$ , the count value is transferred to the CCR0 buffer register as soon as the TPnCCR0 register has been rewritten. Consequently, the value of the 16-bit counter that is compared is  $D_2$ .

Because the count value has already exceeded  $D_2$ , however, the 16-bit counter counts up to FFFFH, overflows, and then counts up again from 0000H. When the count value matches  $D_2$ , the INTTPnCC0 signal is generated and the output of the TOPn0 pin is inverted.

Therefore, the INTTPnCC0 signal may not be generated at the interval time " $(D_1 + 1) \times \text{Count clock cycle}$ " or " $(D_2 + 1) \times \text{Count clock cycle}$ " originally expected, but may be generated at an interval of " $(10000H + D_2 + 1) \times \text{Count clock period}$ ".

(d) Operation of TPnCCR1 register

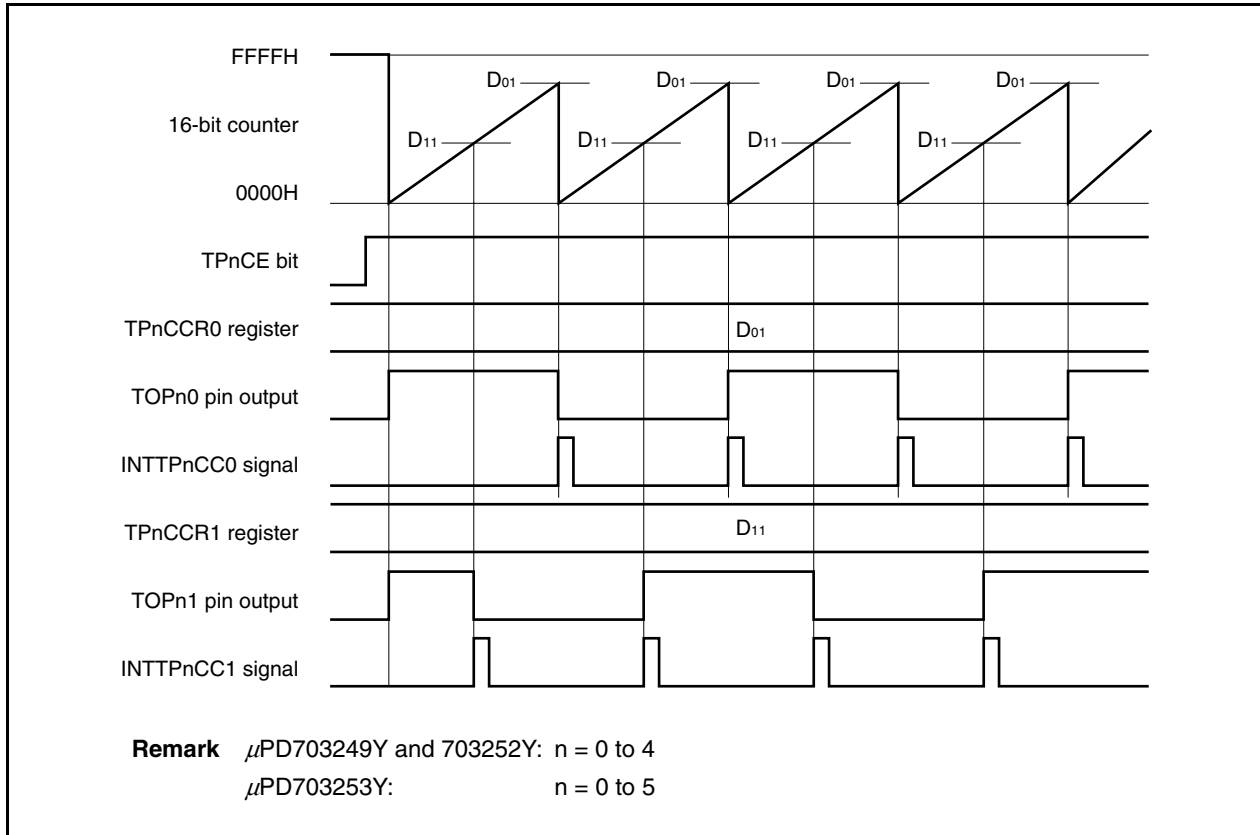
Figure 7-10. Configuration of TPnCCR1 Register



<R>

<R> When the TPnCCR1 register is set to the same value as the TPnCCR0 register, the INTTPnCC1 signal is generated at the same timing as the INTTPnCC0 signal and the TOPn1 pin output is inverted. In other words, a square wave with a duty factor of 50% can be output from the TOPn1 pin. The following shows the operation when the TPnCCR1 register is set to other than the value set in the TPnCCR0 register. If the set value of the TPnCCR1 register is less than the set value of the TPnCCR0 register, the INTTPnCC1 signal is generated once per cycle. At the same time, the output of the TOPn1 pin is inverted. The TOPn1 pin outputs a square wave with a duty factor of 50% after outputting a short-width pulse.

**Figure 7-11. Timing Chart When  $D_{01} \geq D_{11}$**



<R>

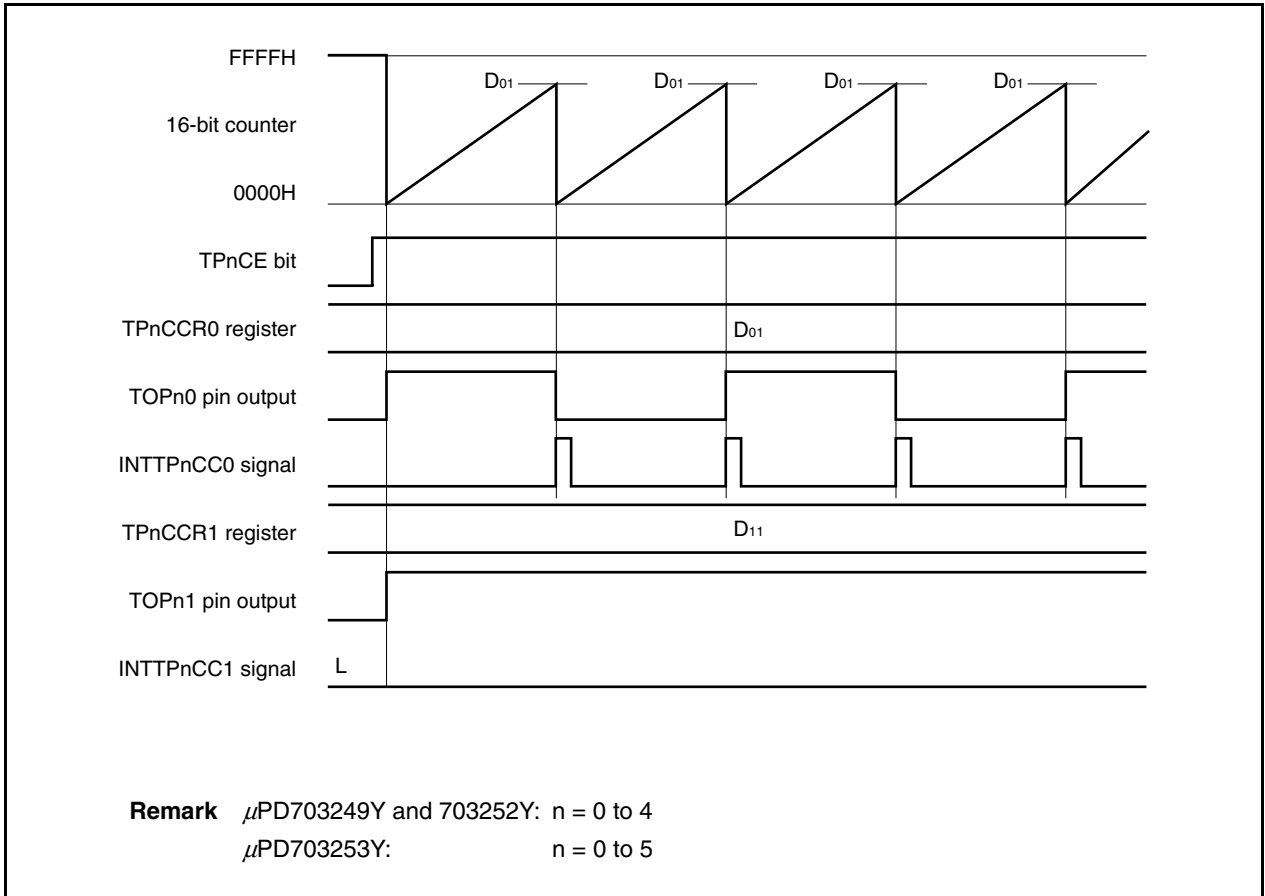


If the set value of the TPnCCR1 register is greater than the set value of the TPnCCR0 register, the count value of the 16-bit counter does not match the value of the TPnCCR1 register. Consequently, the INTTPnCC1 signal is not generated, nor is the output of the TOPn1 pin changed.

When the TPnCCR1 register is not used, it is recommended to set its value to FFFFH.

<R>

Figure 7-12. Timing Chart When  $D_{01} < D_{11}$



<R>

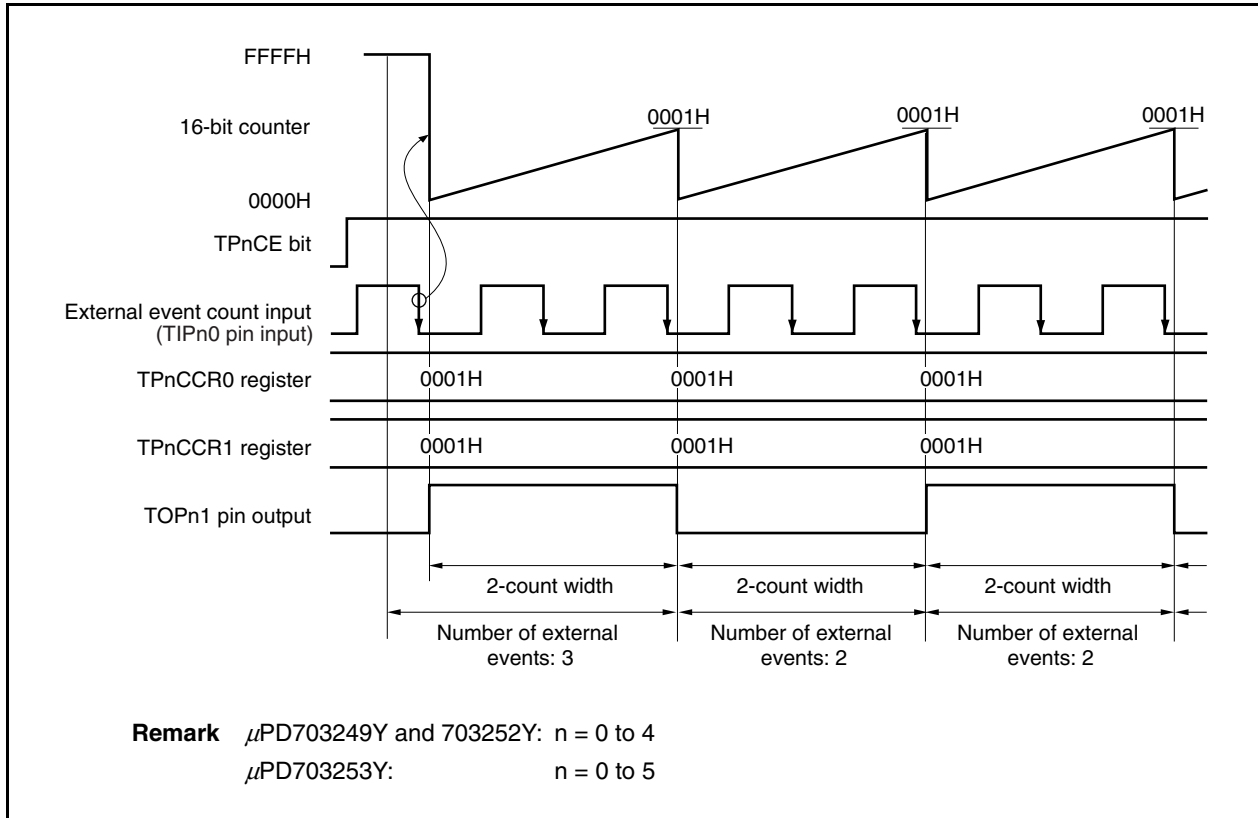
## &lt;R&gt; (3) Operation by external event count input (TIPn0)

## (a) Operation

To count the 16-bit counter at the valid edge of external event count input (TIPn0) in the interval timer mode, the valid edge of the external event count input is necessary once because the 16-bit counter is cleared from FFFFH to 0000H immediately after the TPnCE bit is set from 0 to 1.

When 0001H is set to both the TPnCCR0 and TPnCCR1 registers, the TOPn1 pin output is inverted each time the 16-bit counter counts twice.

The TPnCTL1.TPnEEE bit can be set to 1 in the interval timer mode only when the timer output (TOPn1) is used with the external event count input.



### 7.6.2 External event count mode (TPnMD2 to TPnMD0 bits = 001)

<R> In the external event count mode, the valid edge of the external event count input (TIPn0) is counted when the TPnCTL0.TPnCE bit is set to 1, and an interrupt request signal (INTTPnCC0) is generated each time the number of edges set by the TPnCCR0 register have been counted. The TOPn0 and TOPn1 pins cannot be used. When using the TOPn1 pin for external event count input, set the TPnCTL1.TPnEEE bit to 1 in the interval timer mode (see 7.6.1 (3) Operation by external event count input (TIPn0)).

The TPnCCR1 register is not used in the external event count mode.

<R> **Caution** In the external event count mode, the TPnCCR0 and TPnCCR1 registers must not be cleared to 0000H.

Figure 7-13. Configuration in External Event Count Mode

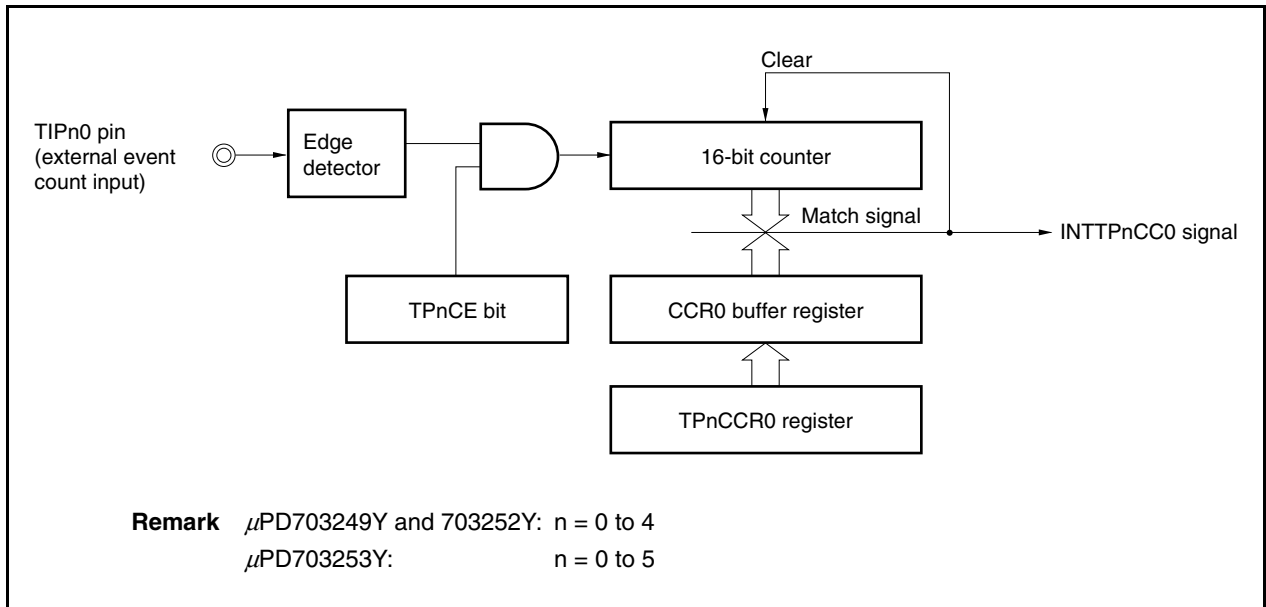
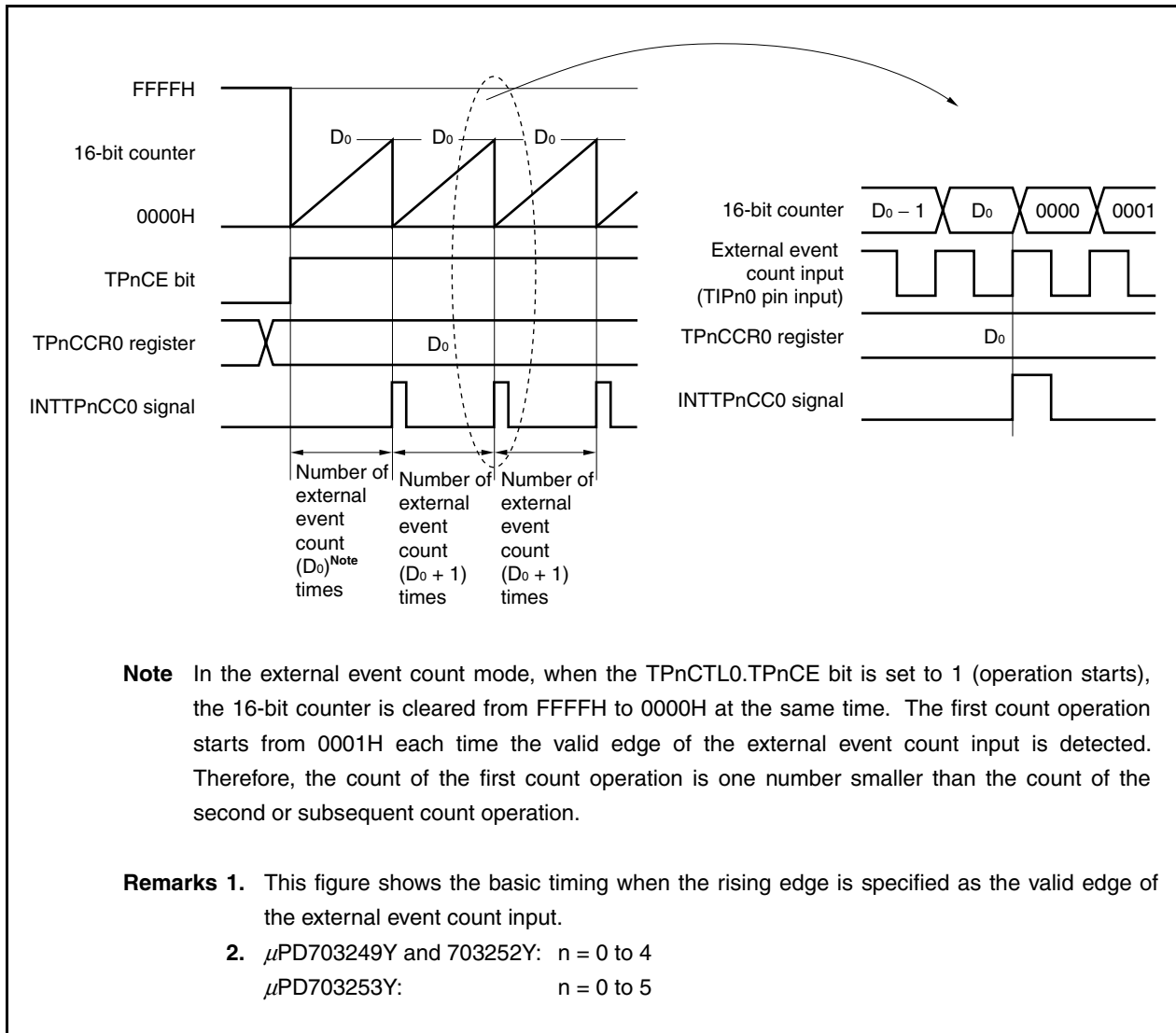


Figure 7-14. Basic Timing in External Event Count Mode



When the TPnCE bit is set to 1, the value of the 16-bit counter is cleared from FFFFH to 0000H. The counter counts each time the valid edge of external event count input is detected. Additionally, the set value of the TPnCCR0 register is transferred to the CCR0 buffer register.

When the count value of the 16-bit counter matches the value of the CCR0 buffer register, the 16-bit counter is cleared to 0000H, and a compare match interrupt request signal (INTTPnCC0) is generated.

<R>

The INTTPnCC0 signal is generated for the first time when the valid edge of the external event count input has been detected “value set to TPnCCR0 register” times. After that, the INTTPnCC0 signal is generated each time the valid edge of the external event count input has been detected “value set to TPnCCR0 register + 1” times.

Figure 7-15. Register Setting for Operation in External Event Count Mode (1/2)

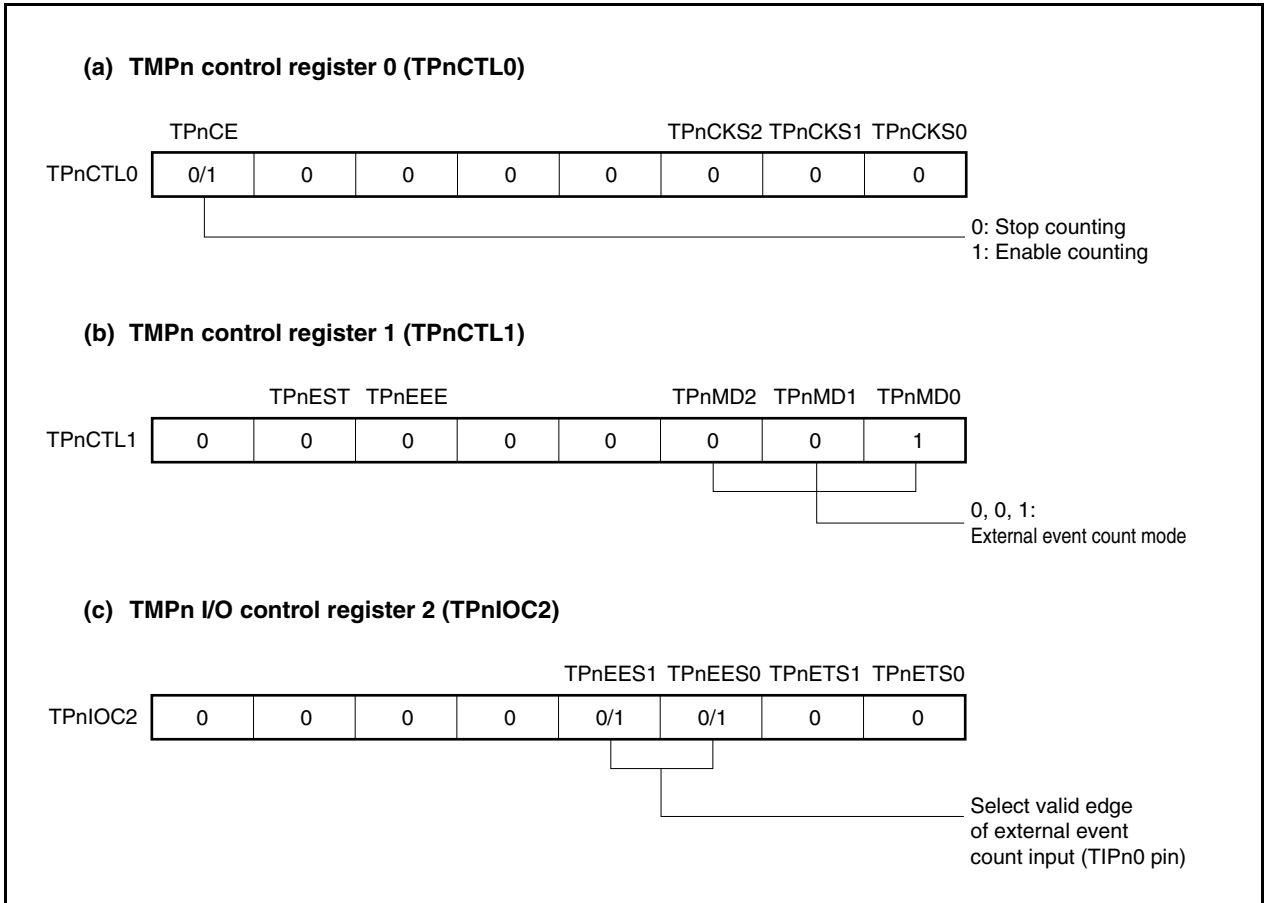


Figure 7-15. Register Setting for Operation in External Event Count Mode (2/2)

**(d) TMPn counter read buffer register (TPnCNT)**

The count value of the 16-bit counter can be read by reading the TPnCNT register.

&lt;R&gt;

**(e) TMPn capture/compare register 0 (TPnCCR0)**

If the TPnCCR0 register is set to  $D_0$ , the count is cleared when the number of external events has reached ( $D_0$ ) and the first compare match interrupt request signal (INTTPnCC0) is generated. The second compare match interrupt request signal (INTTPnCC0) is generated when the number of external events has reached ( $D_0 + 1$ ).

&lt;R&gt;

**(f) TMPn capture/compare register 1 (TPnCCR1)**

The TPnCCR1 register is not used in the external event count mode. However, the set value of the TPnCCR1 register is transferred to the CCR1 buffer register. When the count value of the 16-bit counter matches the value of the CCR1 buffer register, a compare match interrupt request signal (INTTPnCC1) is generated.

When the TPnCCR1 registers are not used, it is recommended to set their value to FFFFH. Also mask the register by the interrupt mask flag (TPnCCIC1.TPnCCMK1).

**Cautions 1. Set 00H to the TPnIOC0 register.**

&lt;R&gt;

2. **When the external clock is used as the count clock, the external clock can be input only from the TIPn0 pin. At this time, clear the TPnIOC1.TPnIS1 and TPnIS0 bits to 00 (capture trigger input (TIPn0 pin): No edge detected).**

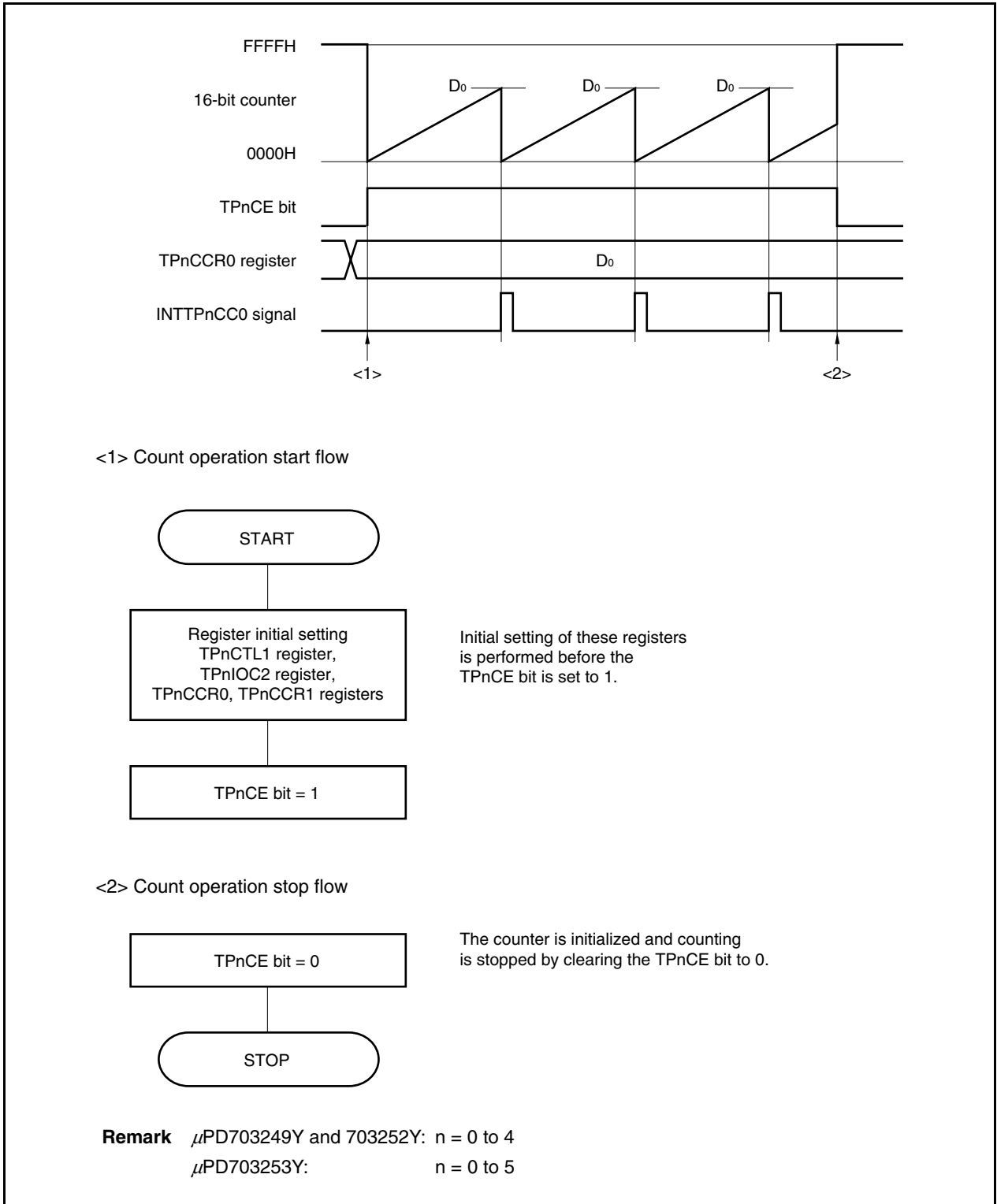
**Remarks 1.** TMPn I/O control register 1 (TPnIOC1) and TMPn option register 0 (TPnOPT0) are not used in the external event count mode.

&lt;R&gt;

2.  $\mu$ PD703249Y and 703252Y:  $n = 0$  to 4  
 $\mu$ PD703253Y:  $n = 0$  to 5

(1) External event count mode operation flow

Figure 7-16. Flow of Software Processing in External Event Count Mode



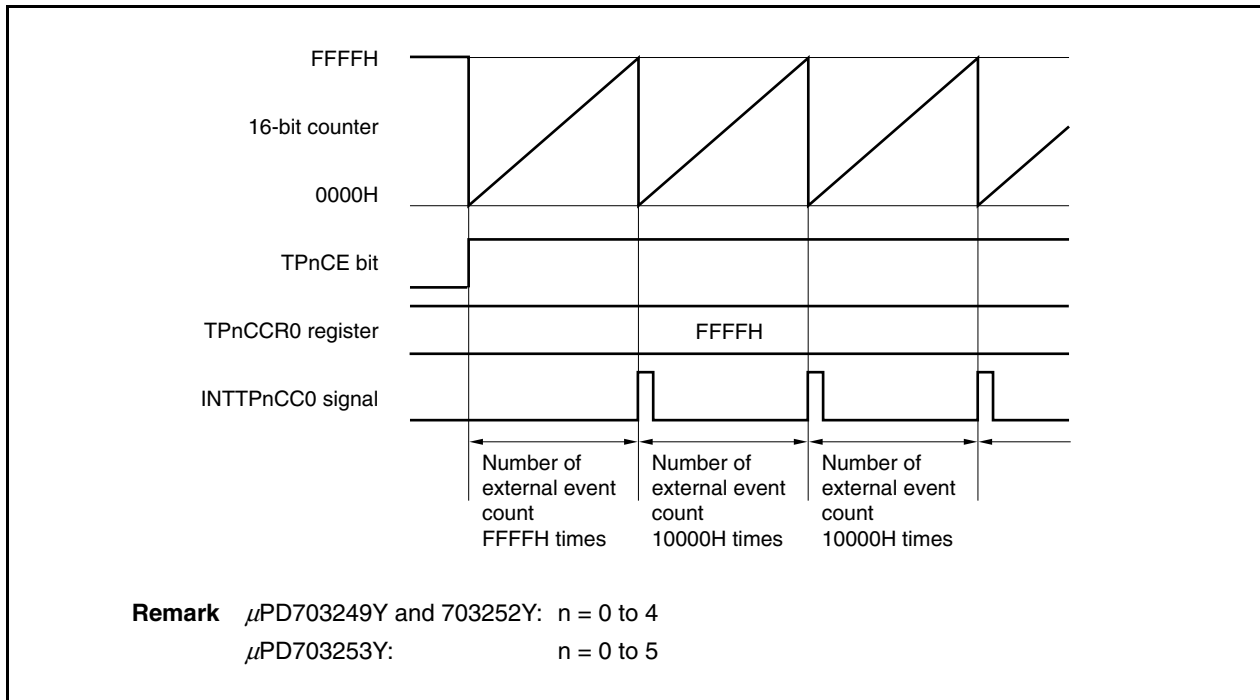
<R>

(2) Operation timing in external event count mode

- Cautions**
1. In the external event count mode, do not set the TPnCCR0 and TPnCCR1 registers to 0000H.
  2. In the external event count mode, use of the timer output (TOPn0, TOPn1) is disabled. If performing timer output (TOPn1) using external event count input (TIPn0), set the interval timer mode, and set the operation enabled (TPnCTL1.TPnEEE bit = 1) by the external event count input for the count clock (refer to 7.6.1 (3) Operation by external event count input (TIPn0)).

(a) Operation if TPnCCR0 register is set to FFFFH

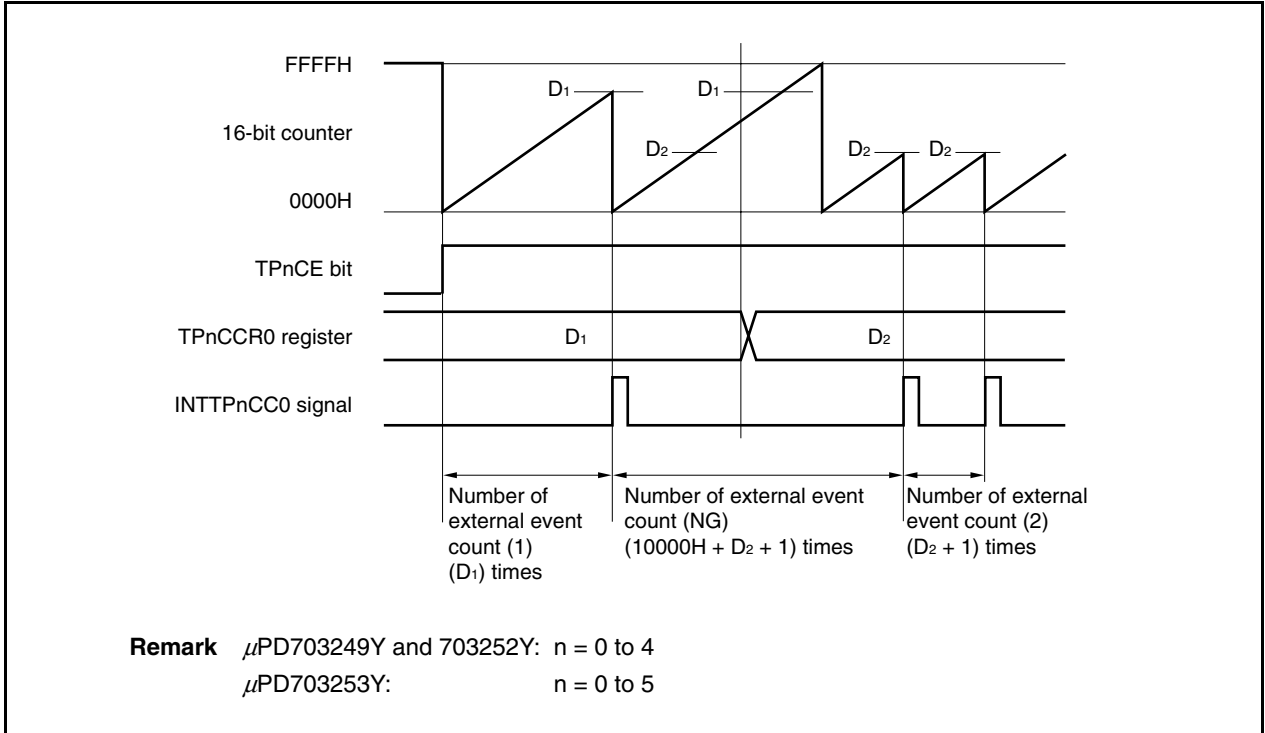
If the TPnCCR0 register is set to FFFFH, the 16-bit counter counts to FFFFH each time the valid edge of the external event count signal has been detected. The 16-bit counter is cleared to 0000H in synchronization with the next count-up timing, and the INTTPnCC0 signal is generated. At this time, the TPnOPT0.TPnOVF bit is not set.





**(b) Notes on rewriting the TPnCCR0 register**

When the value of the TPnCCR0 register is rewritten to a smaller value during counting, the 16-bit counter may overflow. If there is a possibility of overflow, stop counting and then change the set value.



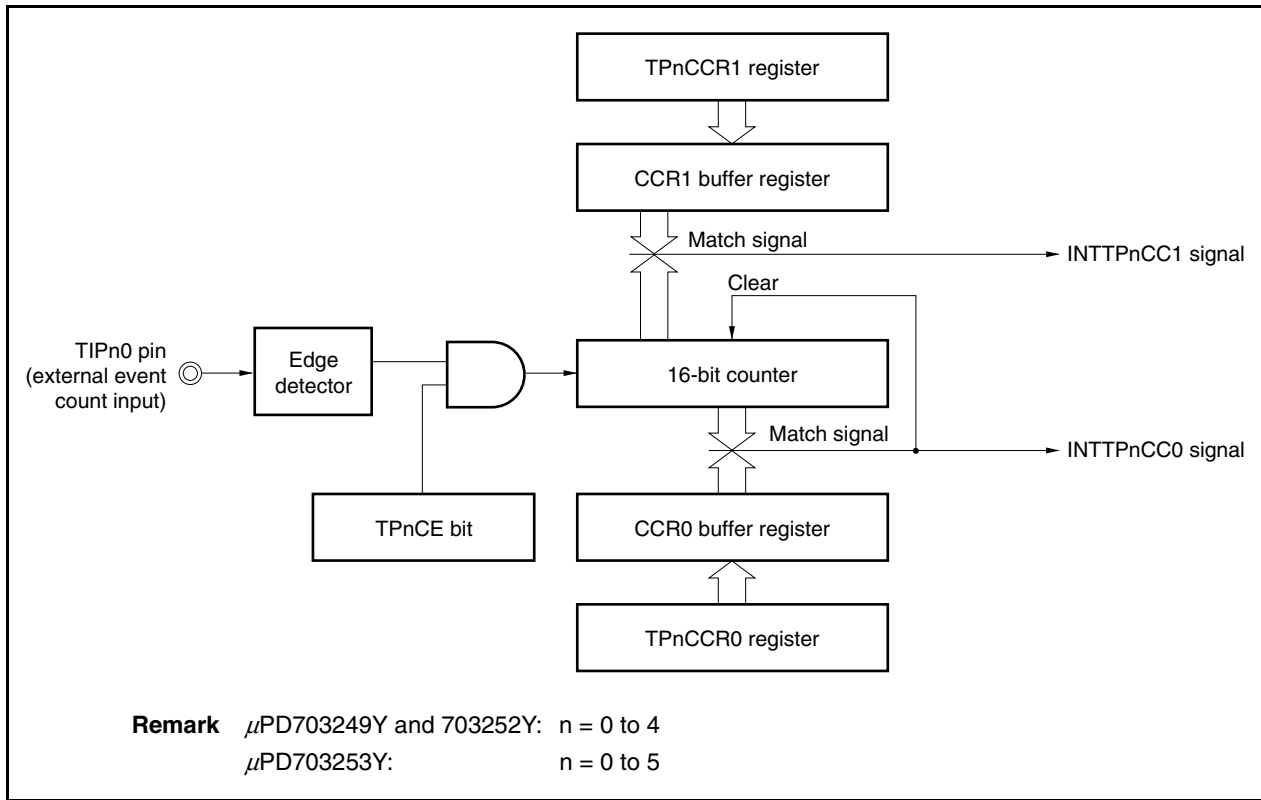
If the value of the TPnCCR0 register is changed from D<sub>1</sub> to D<sub>2</sub> while the count value is greater than D<sub>2</sub> but less than D<sub>1</sub>, the count value is transferred to the CCR0 buffer register as soon as the TPnCCR0 register has been rewritten. Consequently, the value that is compared with the 16-bit counter is D<sub>2</sub>.

Because the count value has already exceeded D<sub>2</sub>, however, the 16-bit counter counts up to FFFFH, overflows, and then counts up again from 0000H. When the count value matches D<sub>2</sub>, the INTTPnCC0 signal is generated.

Therefore, the INTTPnCC0 signal may not be generated at the valid edge count of “(D<sub>1</sub> + 1) times” or “(D<sub>2</sub> + 1) times” originally expected, but may be generated at the valid edge count of “(10000H + D<sub>2</sub> + 1) times”.

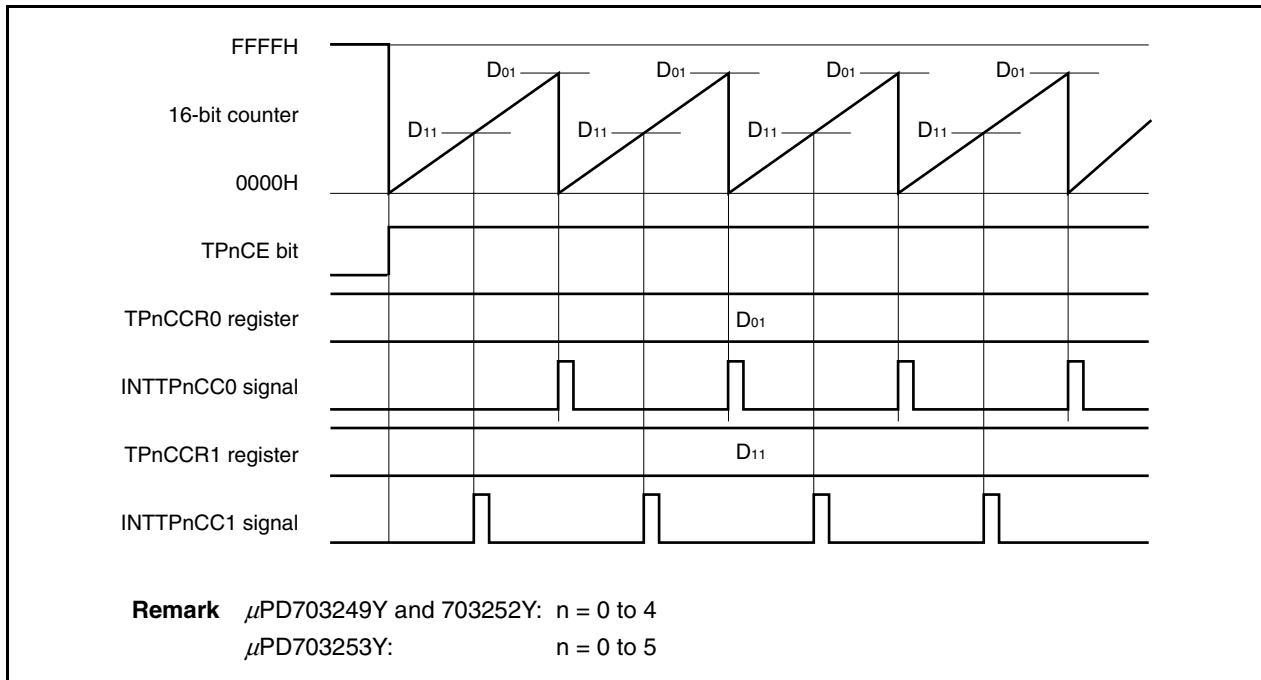
(c) Operation of TPnCCR1 register

Figure 7-17. Configuration of TPnCCR1 Register



If the set value of the TPnCCR1 register is smaller than the set value of the TPnCCR0 register, the INTTPnCC1 signal is generated once per cycle.

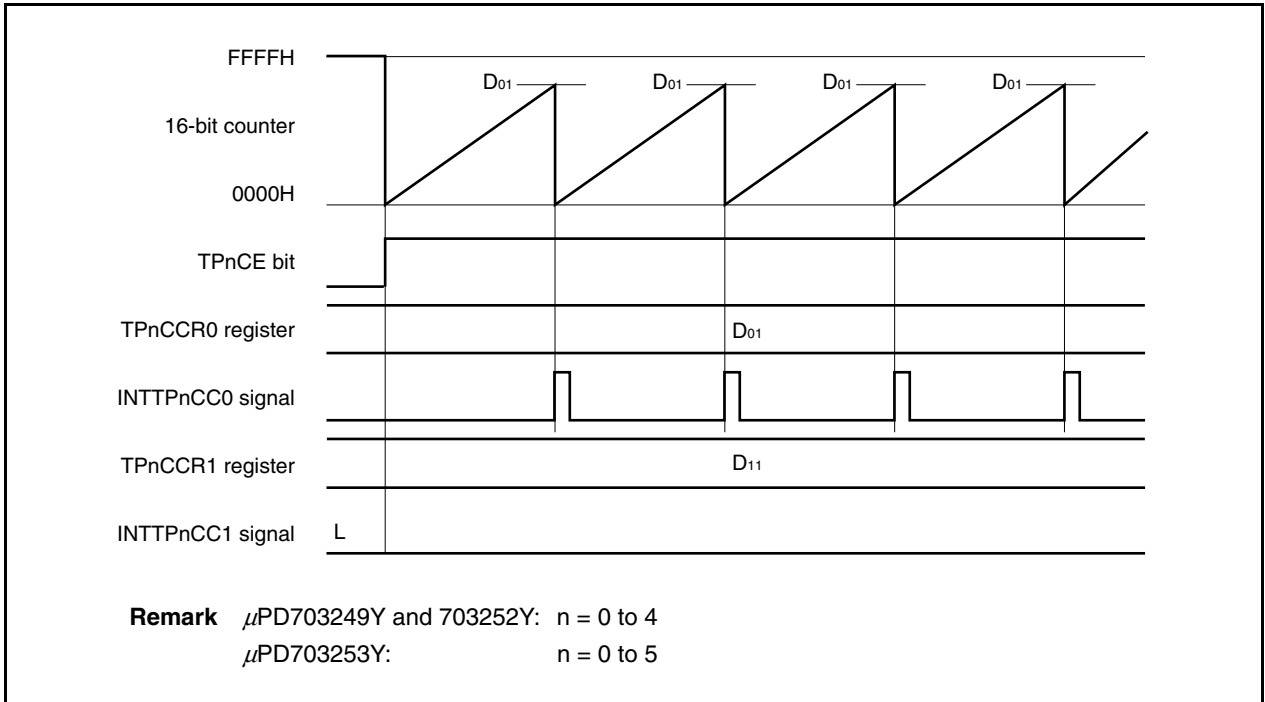
Figure 7-18. Timing Chart When  $D_{01} \geq D_{11}$



If the set value of the TPnCCR1 register is greater than the set value of the TPnCCR0 register, the INTTPnCC1 signal is not generated because the count value of the 16-bit counter and the value of the TPnCCR1 register do not match.

<R> It is recommended to set FFFFH to the TPnCCR1 register when the TPnCCR1 register is not used.

**Figure 7-19. Timing Chart When  $D_{01} < D_{11}$**



<R>

### 7.6.3 External trigger pulse output mode (TPnMD2 to TPnMD0 bits = 010)

In the external trigger pulse output mode, 16-bit timer/event counter P waits for a trigger when the TPnCTL0.TPnCE bit is set to 1. When the valid edge of an external trigger input (TIPn0) is detected, 16-bit timer/event counter P starts counting, and outputs a PWM waveform from the TOPn1 pin.

Pulses can also be output by generating a software trigger instead of using the external trigger. When using a software trigger, a square wave with a duty factor of 50% that has the set value of the TPnCCR0 register + 1 as half its cycle can also be output from the TOPn0 pin.

Figure 7-20. Configuration in External Trigger Pulse Output Mode

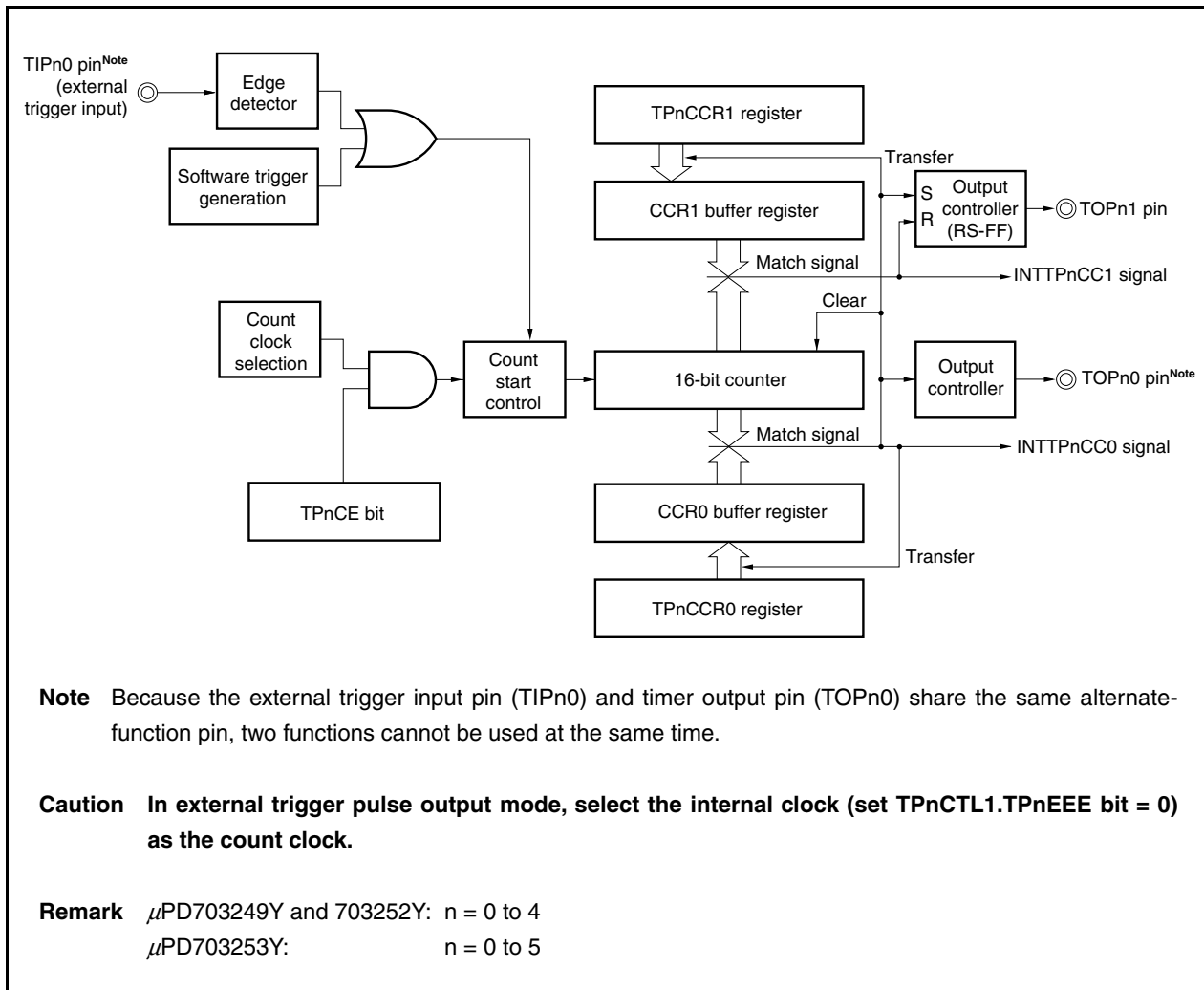
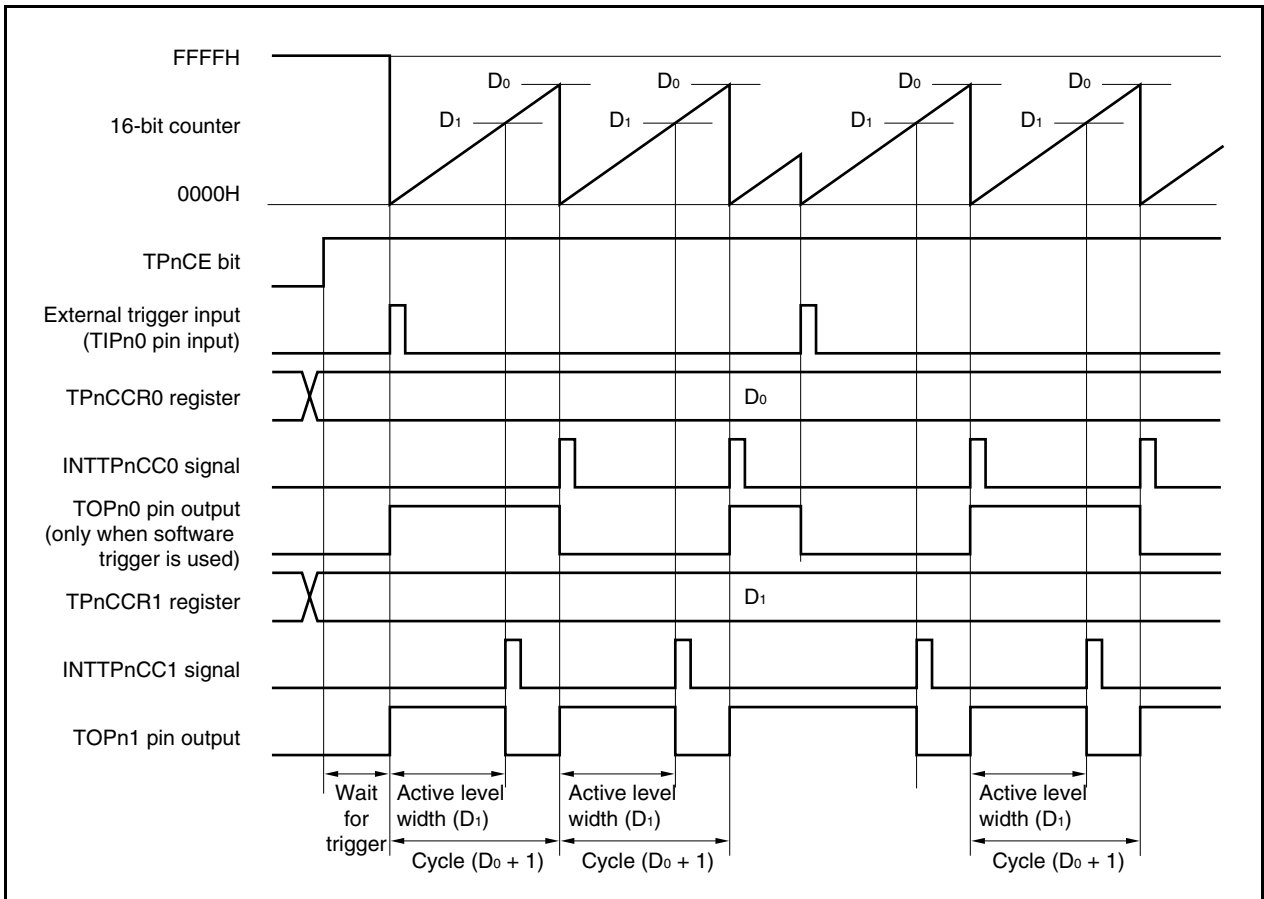


Figure 7-21. Basic Timing in External Trigger Pulse Output Mode



16-bit timer/event counter P waits for a trigger when the TPnCE bit is set to 1. When the trigger is generated, the 16-bit counter is cleared from FFFFH to 0000H, starts counting at the same time, and outputs a PWM waveform from the TOPn1 pin. If the trigger is generated again while the counter is operating, the counter is cleared to 0000H and restarted. (The output of the TOPn0 pin is inverted. The TOPn1 pin outputs a high-level regardless of the status (high/low) when a trigger occurs.)

The active level width, cycle, and duty factor of the PWM waveform can be calculated as follows.

$$\text{Active level width} = (\text{Set value of TPnCCR1 register}) \times \text{Count clock cycle}$$

$$\text{Cycle} = (\text{Set value of TPnCCR0 register} + 1) \times \text{Count clock cycle}$$

$$\text{Duty factor} = (\text{Set value of TPnCCR1 register}) / (\text{Set value of TPnCCR0 register} + 1)$$

The compare match request signal INTTPnCC0 is generated when the 16-bit counter counts next time after its count value matches the value of the CCR0 buffer register, and the 16-bit counter is cleared to 0000H. The compare match interrupt request signal INTTPnCC1 is generated when the count value of the 16-bit counter matches the value of the CCR1 buffer register.

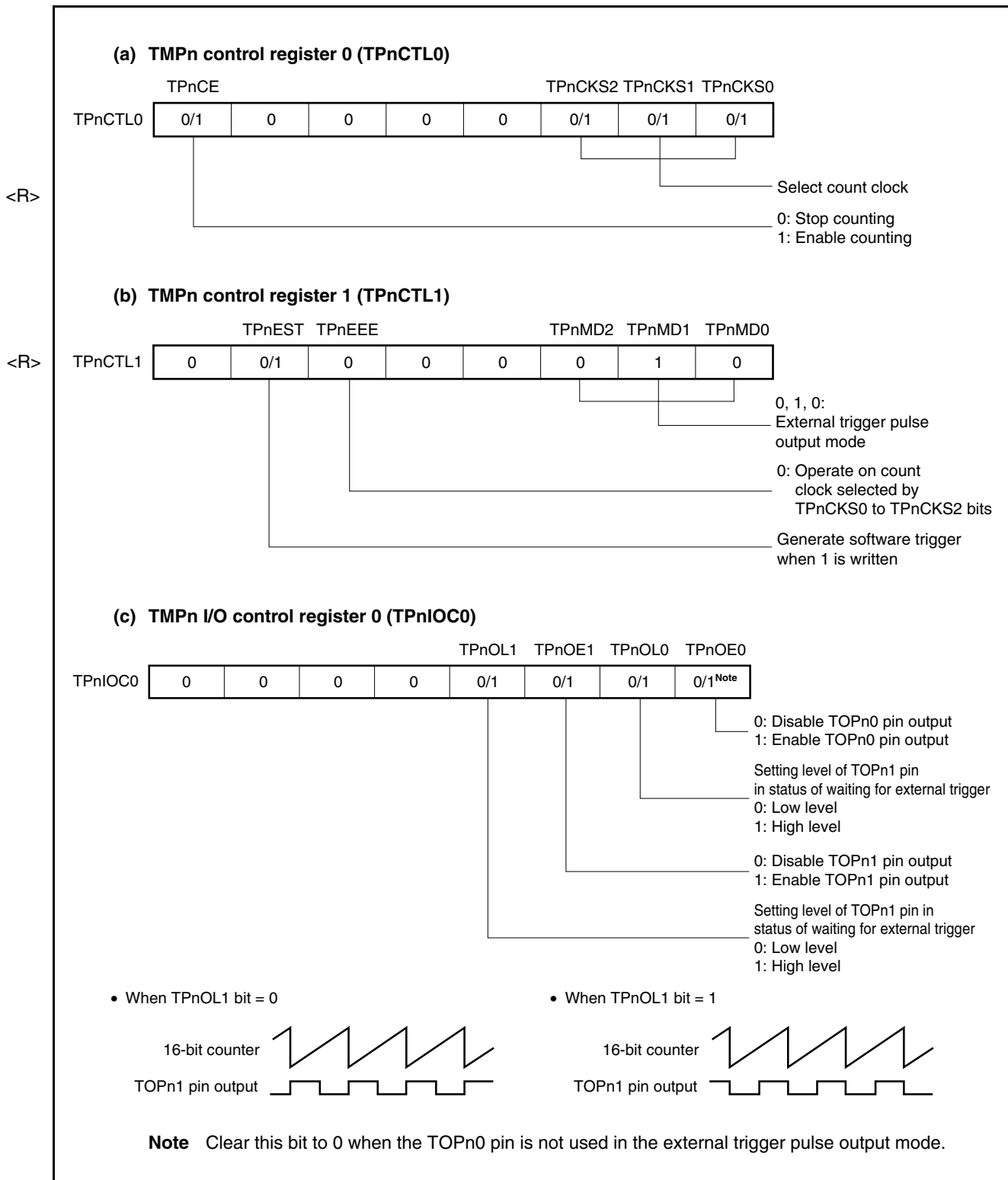
The value set to the TPnCCRm register is transferred to the CCRm buffer register when the count value of the 16-bit counter matches the value of the CCRm buffer register and the 16-bit counter is cleared to 0000H.

The valid edge of an external trigger input (TIPn0) signal, or setting the software trigger (TPnCTL1.TPnEST bit) to 1 is used as the trigger.

<R>

**Remark**  $\mu\text{PD703249Y}$  and  $703252\text{Y}$ :  $n = 0$  to  $4$ ,  $m = 0$  or  $1$ ,  $\mu\text{PD703253Y}$ :  $n = 0$  to  $5$ ,  $m = 0$  or  $1$

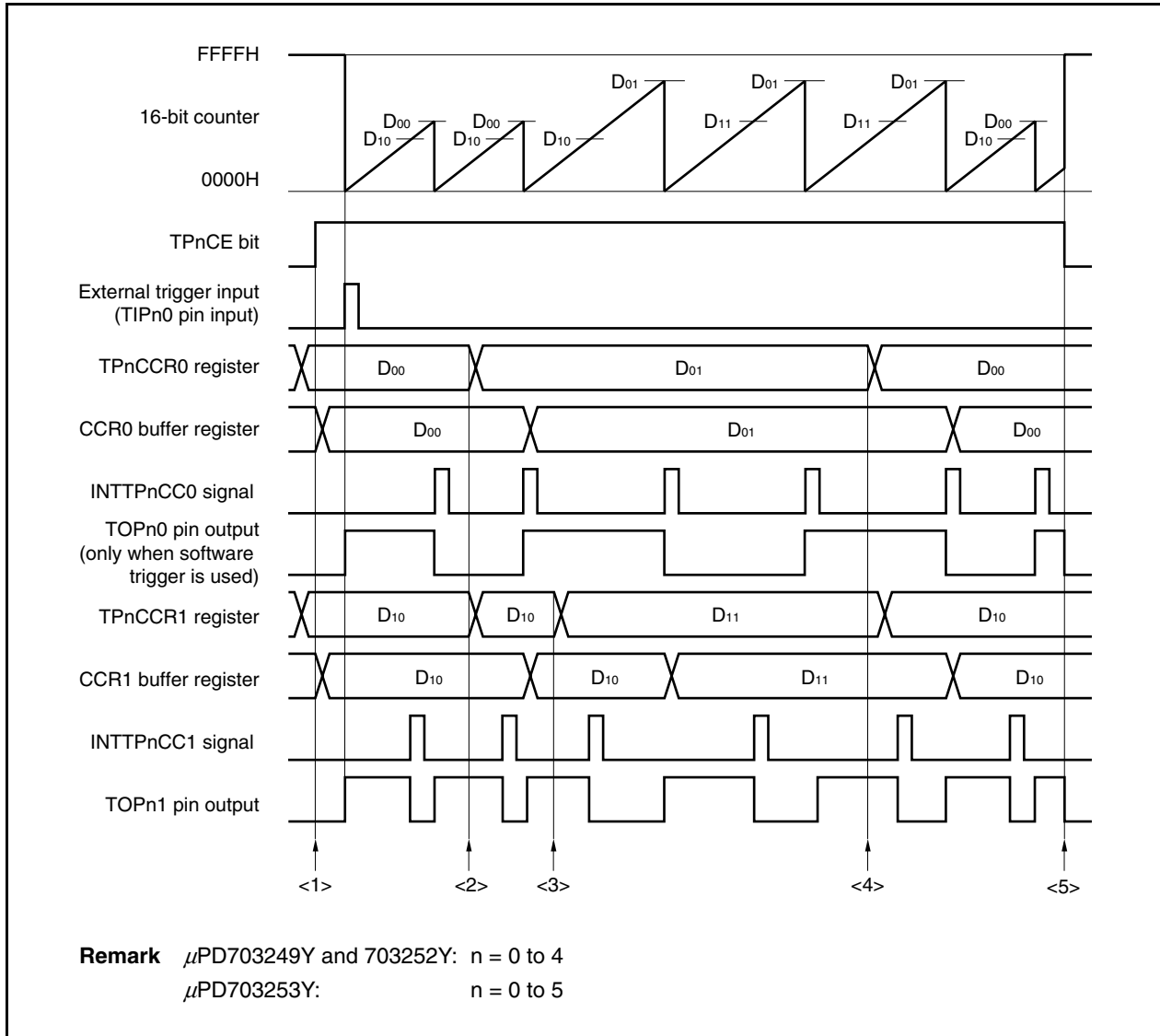
Figure 7-22. Setting of Registers in External Trigger Pulse Output Mode (1/2)





(1) Operation flow in external trigger pulse output mode

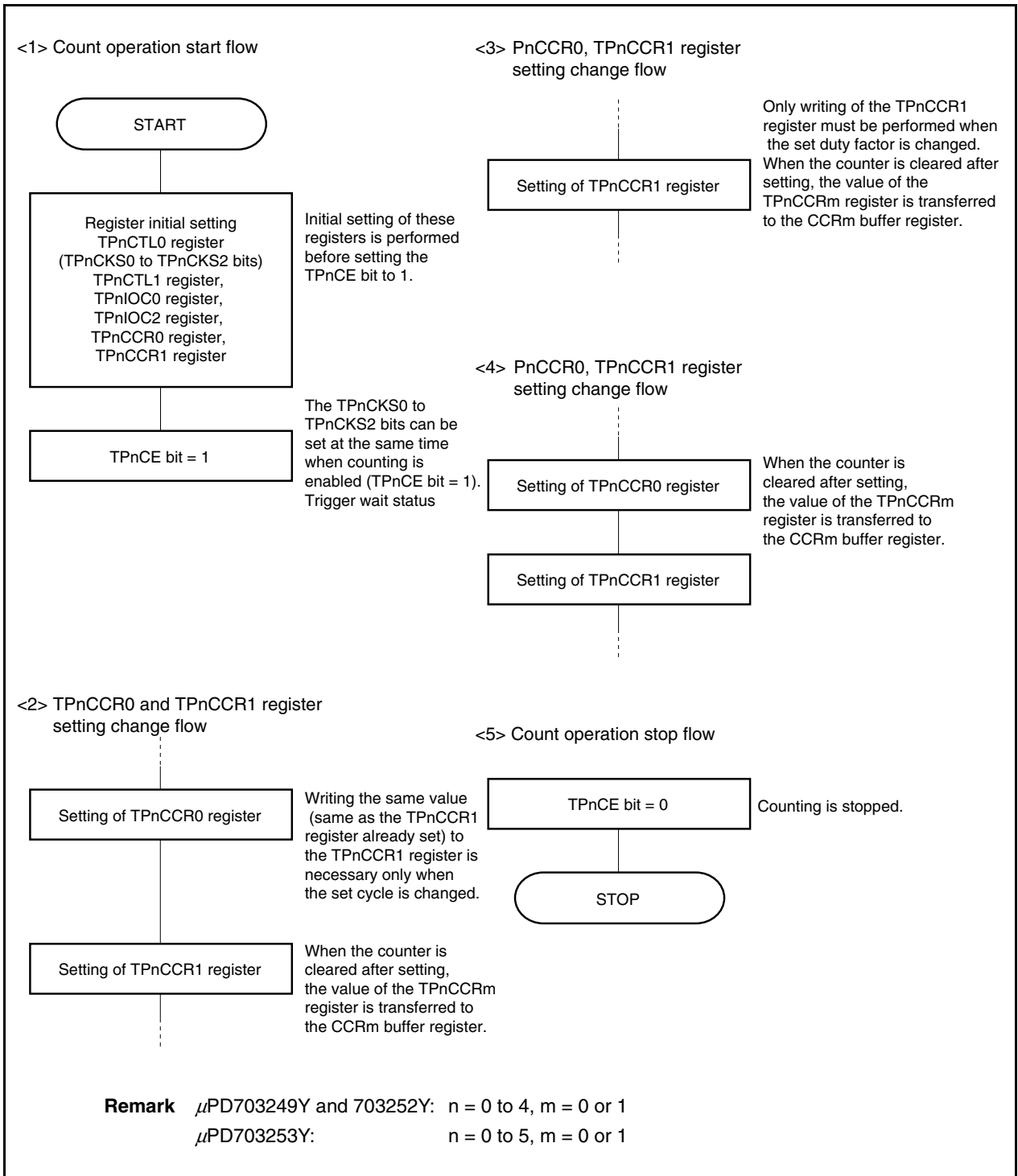
Figure 7-23. Software Processing Flow in External Trigger Pulse Output Mode (1/2)



<R>



Figure 7-23. Software Processing Flow in External Trigger Pulse Output Mode (2/2)

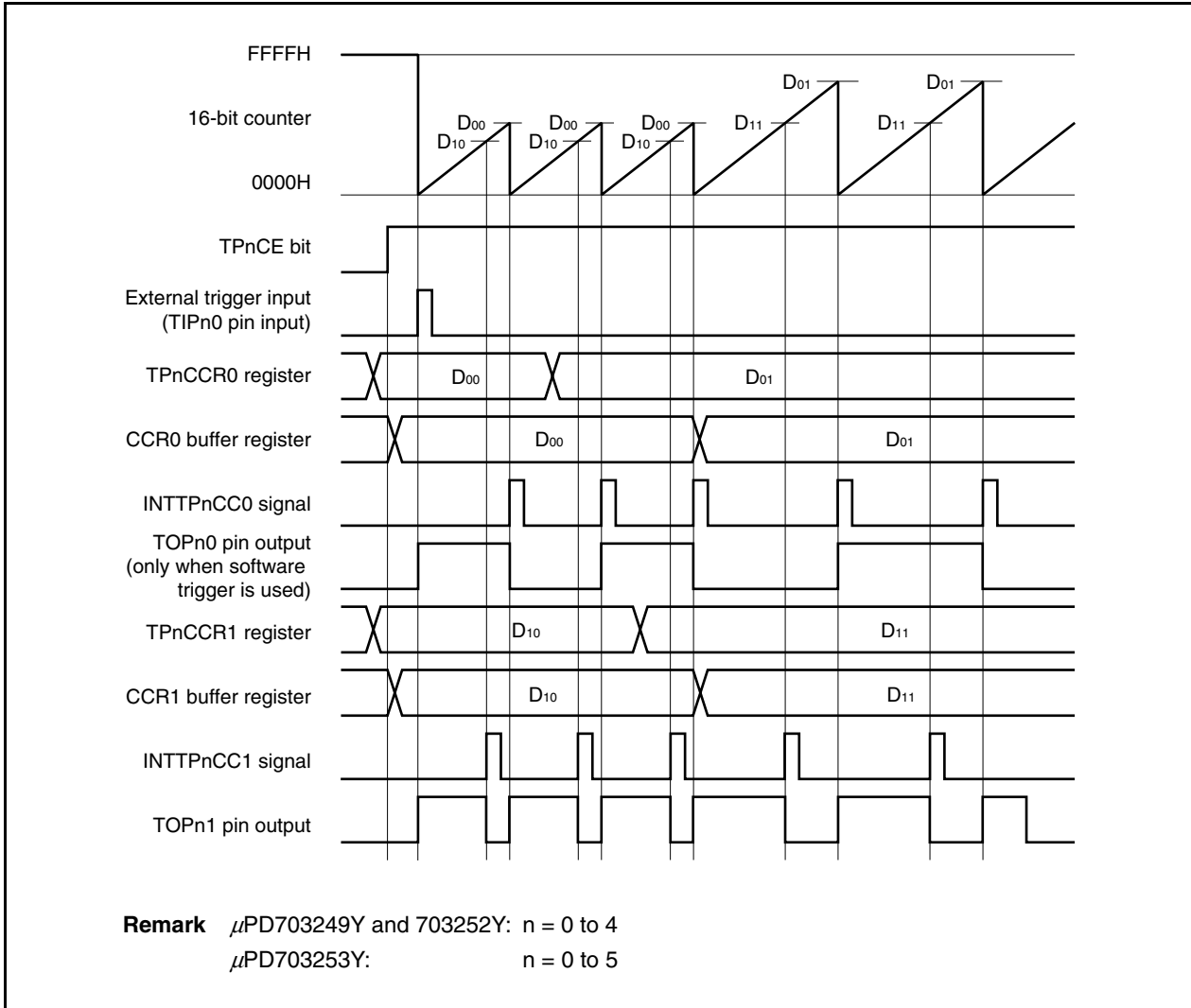


<R>

(2) External trigger pulse output mode operation timing

(a) Note on changing pulse width during operation

To change the PWM waveform while the counter is operating, write the TPnCCR1 register last.  
 Rewrite the TPnCCRm register after writing the TPnCCR1 register after the INTTPnCC0 signal is detected.



<R>

In order to transfer data from the TPnCCRm register to the CCRm buffer register, the TPnCCR1 register must be written.

To change both the cycle and active level width of the PWM waveform at this time, first set the cycle to the TPnCCR0 register and then set the active level width to the TPnCCR1 register.

To change only the cycle of the PWM waveform, first set the cycle to the TPnCCR0 register, and then write the same value (same as the TPnCCR1 register already set) to the TPnCCR1 register.

To change only the active level width (duty factor) of the PWM waveform, only the TPnCCR1 register has to be set.

After data is written to the TPnCCR1 register, the value written to the TPnCCRm register is transferred to the CCRm buffer register in synchronization with clearing of the 16-bit counter, and is used as the value compared with the 16-bit counter.

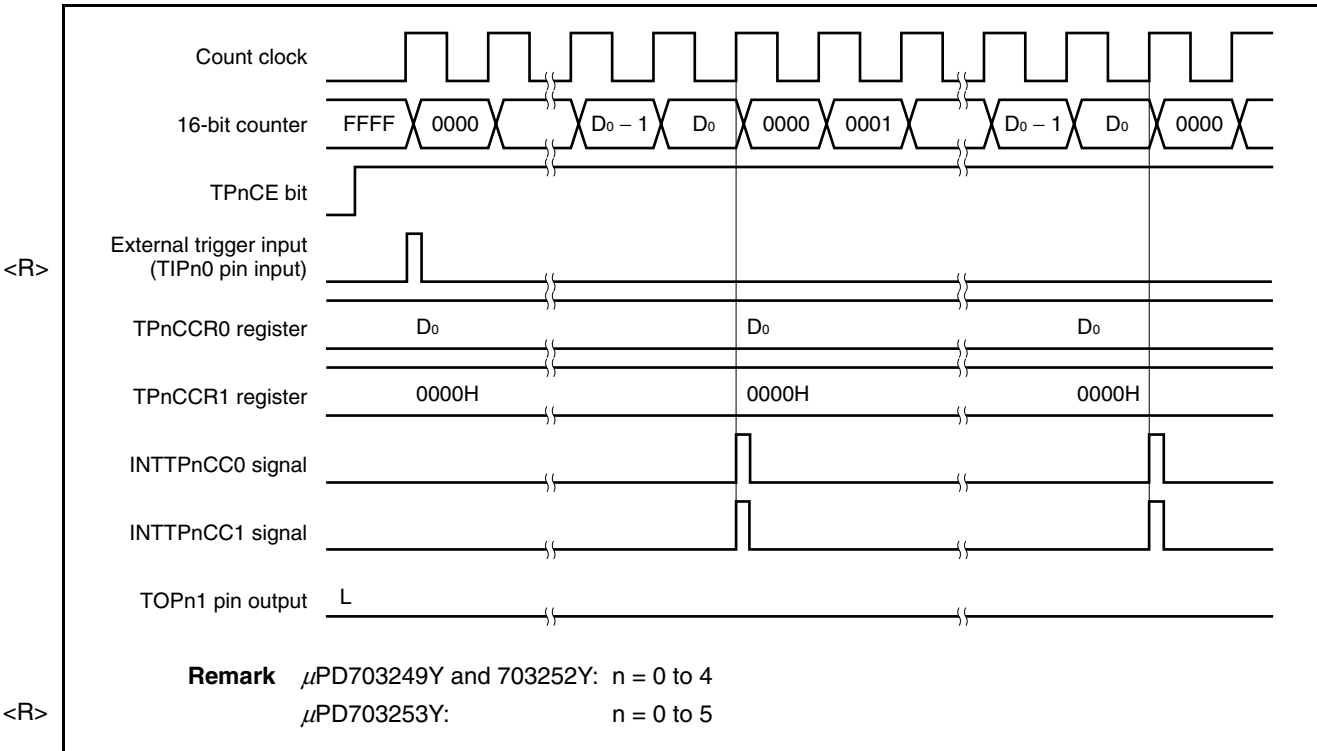
To write the TPnCCR0 or TPnCCR1 register again after writing the TPnCCR1 register once, do so after the INTTPnCC0 signal is generated. Otherwise, the value of the CCRm buffer register may become undefined because the timing of transferring data from the TPnCCRm register to the CCRm buffer register conflicts with writing the TPnCCRm register.

**Remark**     $\mu$ PD703249Y and 703252Y: n = 0 to 4, m = 0 or 1  
                   $\mu$ PD703253Y:                    n = 0 to 5, m = 0 or 1

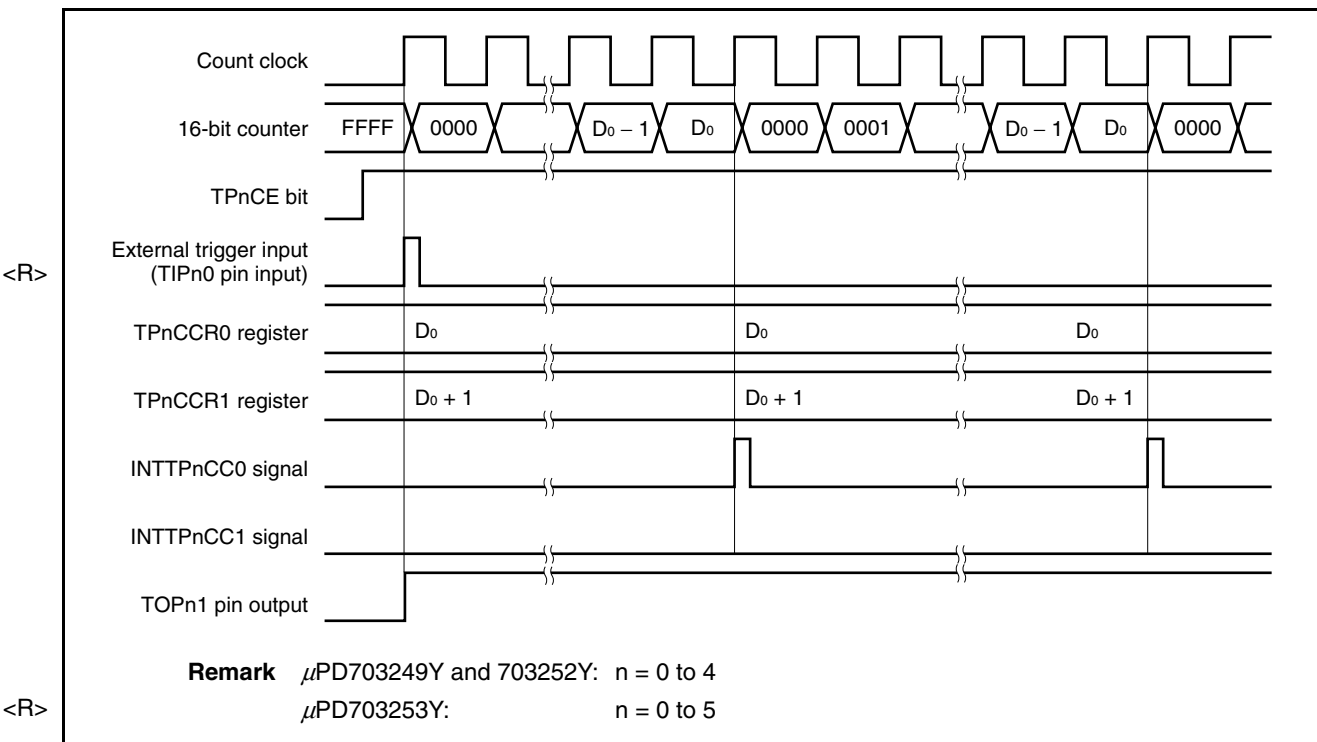
<R>

**(b) 0%/100% output of PWM waveform**

<R> To output a 0% waveform, set the TPnCCR1 register to 0000H. The 16-bit counter is cleared to 0000H and the INTTPnCO0 and INTTPnCC1 signals are generated at the next timing after a match between the count value of the 16-bit counter and the value of the CCR0 buffer register.

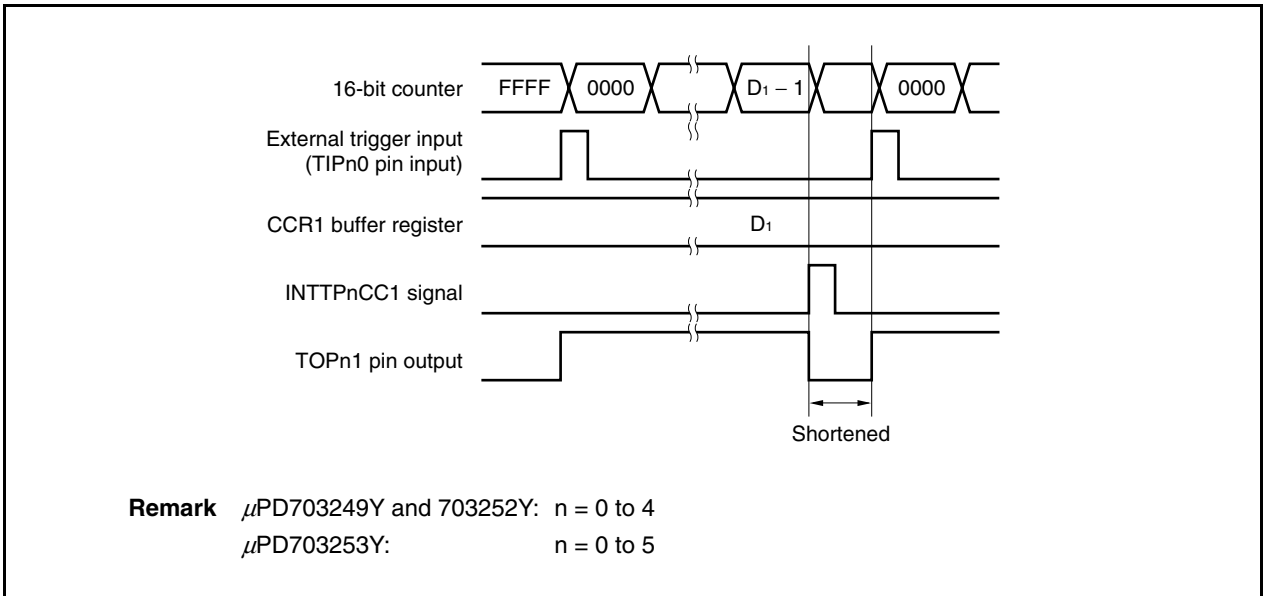


To output a 100% waveform, set a value of (set value of TPnCCR0 register + 1) to the TPnCCR1 register. If the set value of the TPnCCR0 register is FFFFH, 100% output cannot be produced.



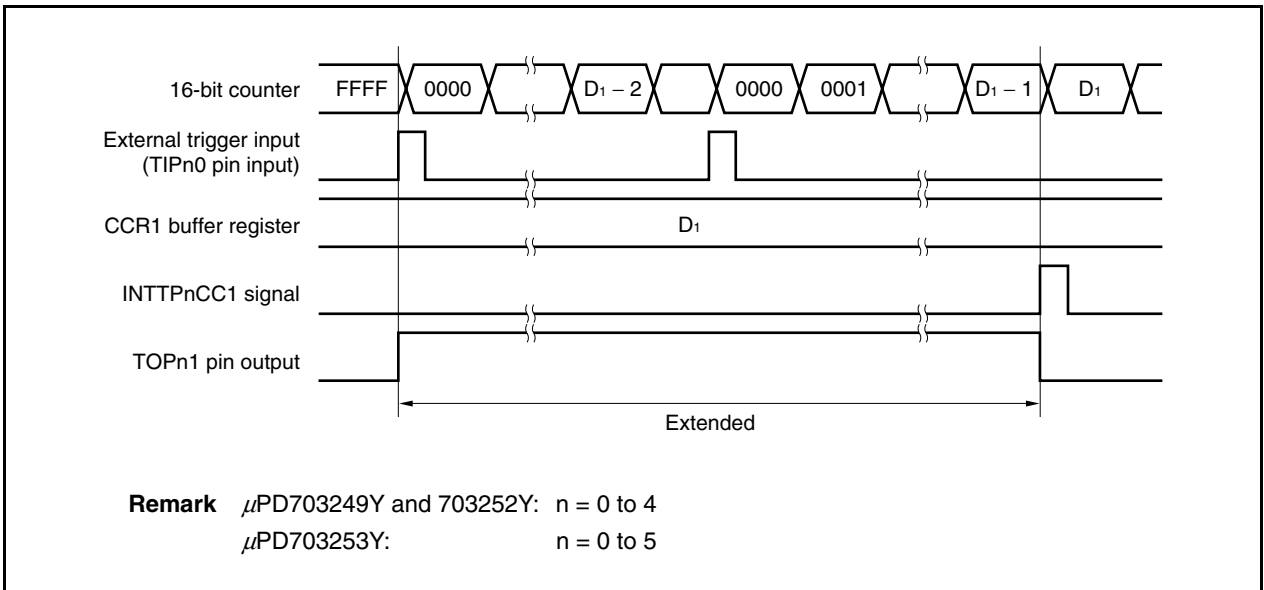
**(c) Conflict between trigger detection and match with CCR1 buffer register**

If the trigger is detected immediately after the INTTPnCC1 signal is generated, the 16-bit counter is immediately cleared to 0000H, the output signal of the TOPn1 pin is asserted, and the counter continues counting. Consequently, the inactive period of the PWM waveform is shortened.



<R>

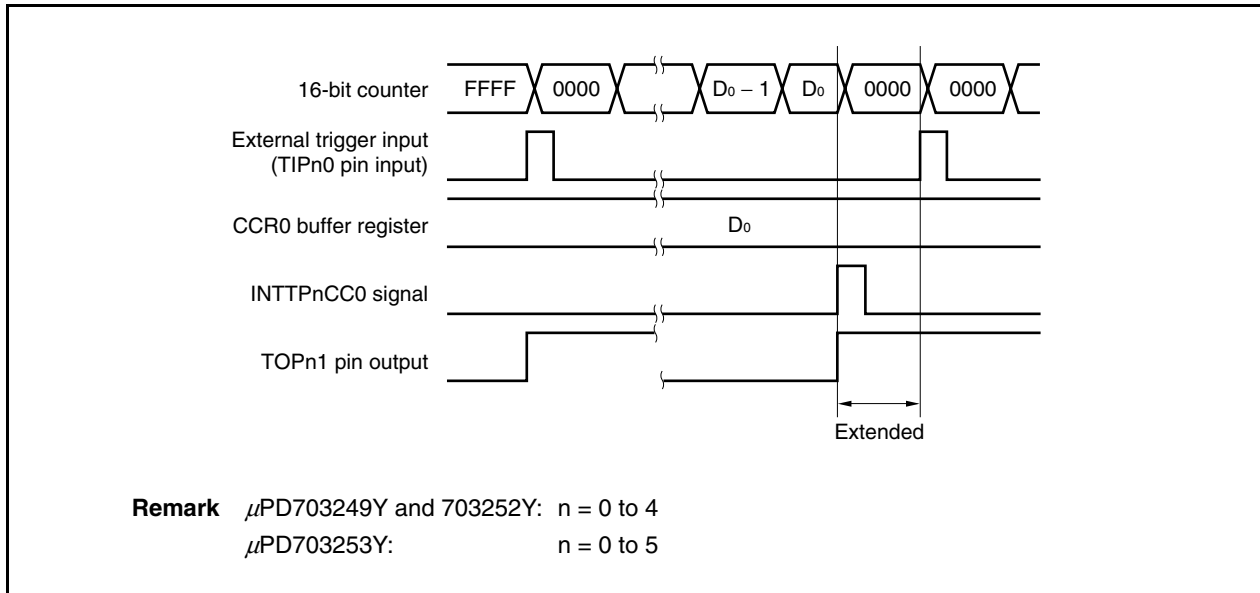
If the trigger is detected immediately before the INTTPnCC1 signal is generated, the INTTPnCC1 signal is not generated, and the 16-bit counter is cleared to 0000H and continues counting. The output signal of the TOPn1 pin remains active. Consequently, the active period of the PWM waveform is extended.



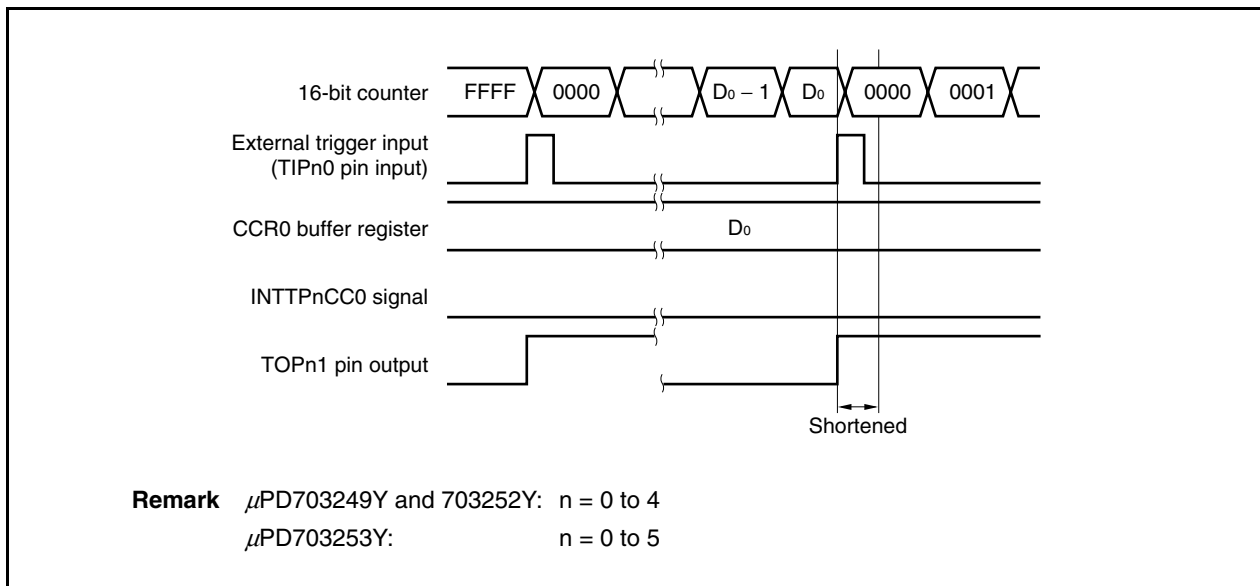
<R>

**(d) Conflict between trigger detection and match with CCR0 buffer register**

If the trigger is detected immediately after the INTTPnCC0 signal is generated, the 16-bit counter is cleared to 0000H and continues counting up. Therefore, the active period of the TOPn1 pin is extended by time from generation of the INTTPnCC0 signal to trigger detection.

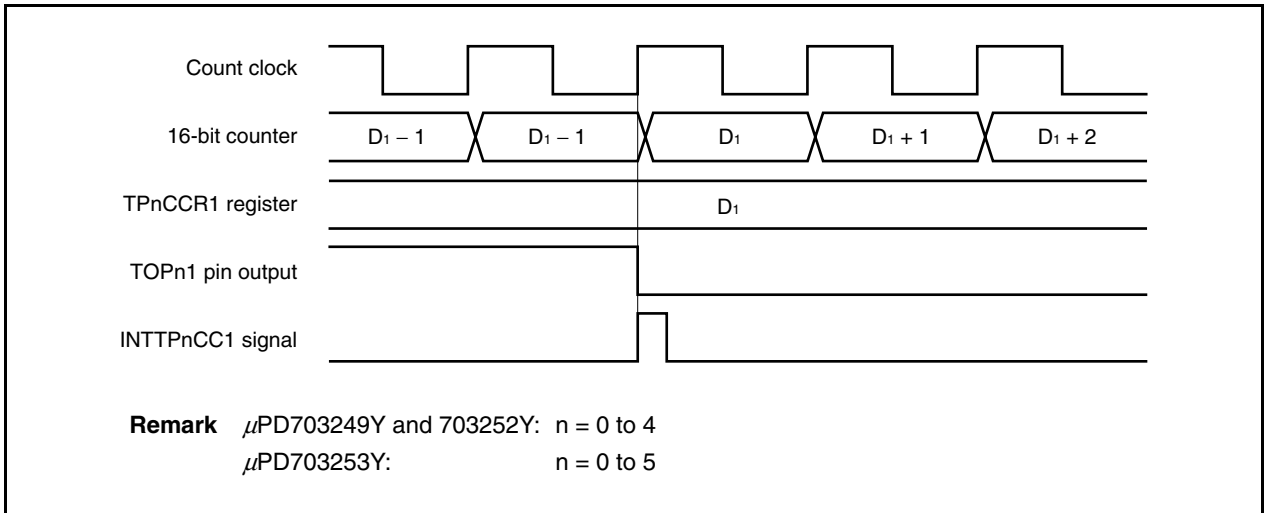


If the trigger is detected immediately before the INTTPnCC0 signal is generated, the INTTPnCC0 signal is not generated. The 16-bit counter is cleared to 0000H, the TOPn1 pin is asserted, and the counter continues counting. Consequently, the inactive period of the PWM waveform is shortened.



**(e) Generation timing of compare match interrupt request signal (INTTPnCC1)**

The timing of generation of the INTTPnCC1 signal in the external trigger pulse output mode differs from the timing of other mode INTTPnCC1 signals; the INTTPnCC1 signal is generated when the count value of the 16-bit counter matches the value of the TPnCCR1 register.



<R>

Usually, the INTTPnCC1 signal is generated in synchronization with the next count up, after the count value of the 16-bit counter matches the value of the TPnCCR1 register.

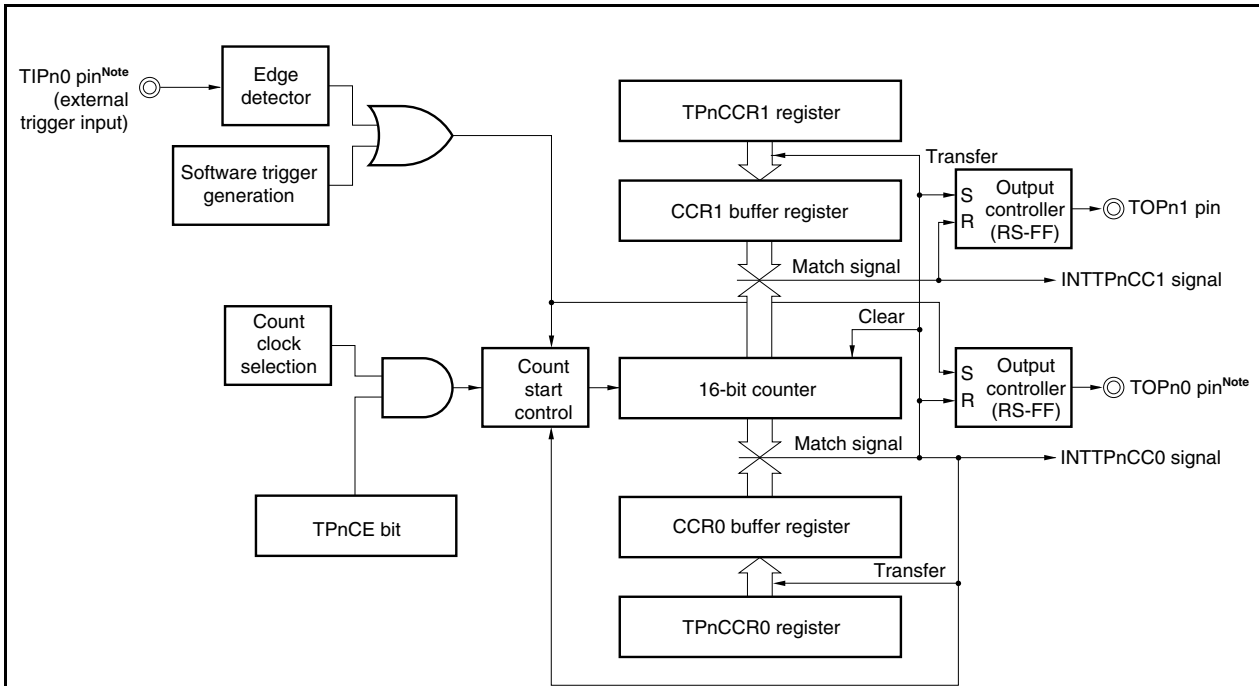
In the external trigger pulse output mode, however, it is generated one clock earlier. This is because the timing is changed to match the timing of changing the output signal of the TOPn1 pin.

**7.6.4 One-shot pulse output mode (TPnMD2 to TPnMD0 bits = 011)**

In the one-shot pulse output mode, 16-bit timer/event counter P waits for a trigger when the TPnCTL0.TPnCE bit is set to 1. When the valid edge of an external trigger input (TIPn0) is detected, 16-bit timer/event counter P starts counting, and outputs a one-shot pulse from the TOPn1 pin.

Instead of the external trigger input (TIPn0), a software trigger can also be generated to output the pulse. When the software trigger is used, the TOPn0 pin outputs the active level while the 16-bit counter is counting, and the inactive level when the counter is stopped (waiting for a trigger).

**Figure 7-24. Configuration in One-Shot Pulse Output Mode**



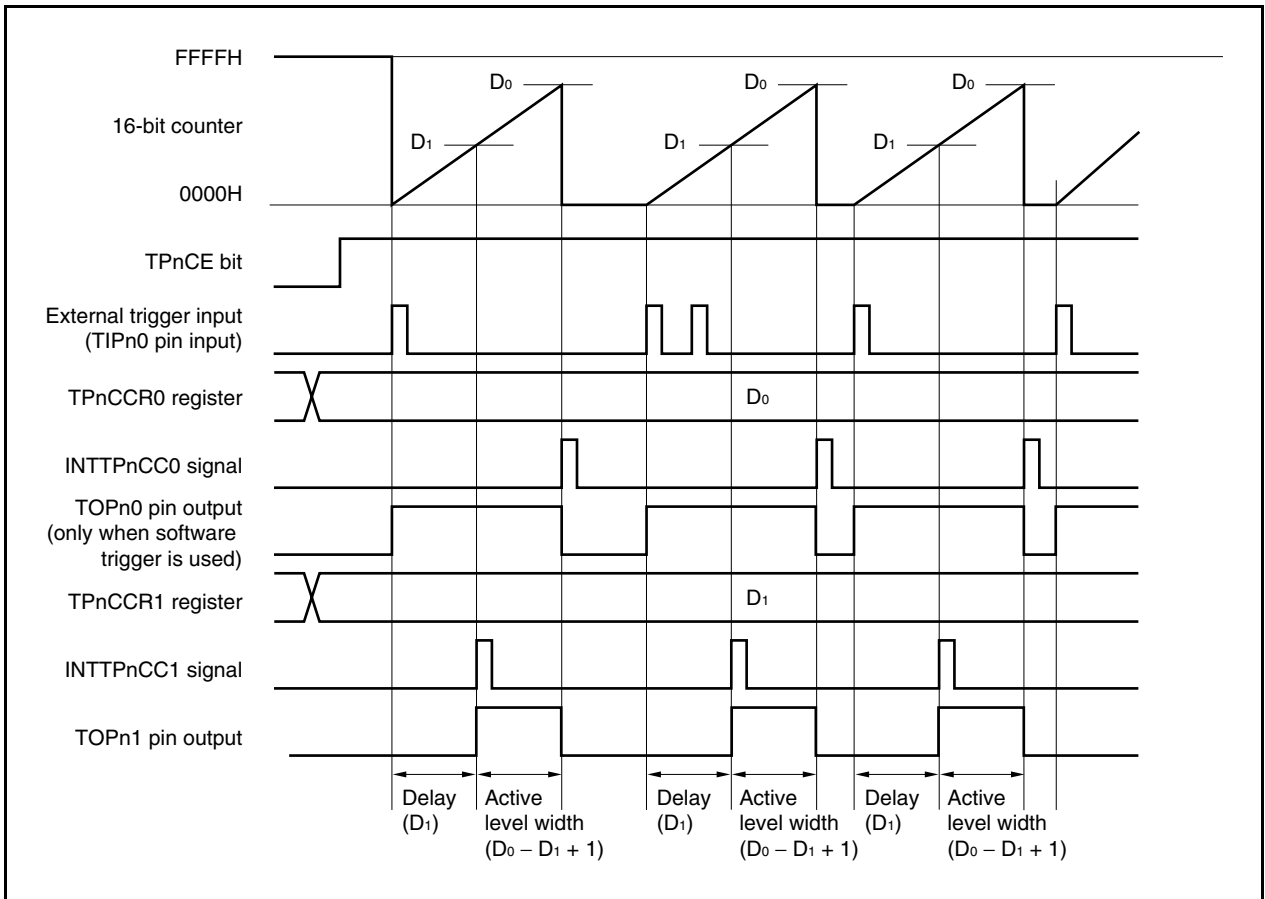
<R> **Note** Because the external trigger input pin (TIPn0) and timer output pin (TOPn0) share the same alternate-function pin, two functions cannot be used at the same time.

<R> **Caution** In one-shot pulse output mode, select the internal clock (set TPnCTL1.TPnEEE bit = 0) as the count clock.

<R> **Remark**  $\mu$ PD703249Y and 703252Y: n = 0 to 4  
 $\mu$ PD703253Y: n = 0 to 5



Figure 7-25. Basic Timing in One-Shot Pulse Output Mode



When the TPnCE bit is set to 1, 16-bit timer/event counter P waits for a trigger. When the trigger is generated, the 16-bit counter is cleared from FFFFH to 0000H, starts counting, and outputs a one-shot pulse from the TOPn1 pin. After the one-shot pulse is output, the 16-bit counter is set to 0000H, stops counting, and waits for a trigger. When the trigger is generated again, the 16-bit counter starts counting from 0000H. If a trigger is generated again while the one-shot pulse is being output, it is ignored.

The output delay period and active level width of the one-shot pulse can be calculated as follows.

$$\text{Output delay period} = (\text{Set value of TPnCCR1 register}) \times \text{Count clock cycle}$$

$$\text{Active level width} = (\text{Set value of TPnCCR0 register} - \text{Set value of TPnCCR1 register} + 1) \times \text{Count clock cycle}$$

The compare match interrupt request signal INTTPnCC0 is generated when the 16-bit counter counts after its count value matches the value of the CCR0 buffer register. The compare match interrupt request signal INTTPnCC1 is generated when the count value of the 16-bit counter matches the value of the CCR1 buffer register.

The valid edge of an external trigger input (TIPn0 pin) or setting the software trigger (TPnCTL1.TPnEST bit) to 1 is used as the trigger.

**Remark**  $\mu$ PD703249Y and 703252Y:  $n = 0$  to 4,  $m = 0$  or 1

$\mu$ PD703253Y:  $n = 0$  to 5,  $m = 0$  or 1

Figure 7-26. Setting of Registers in One-Shot Pulse Output Mode (1/2)

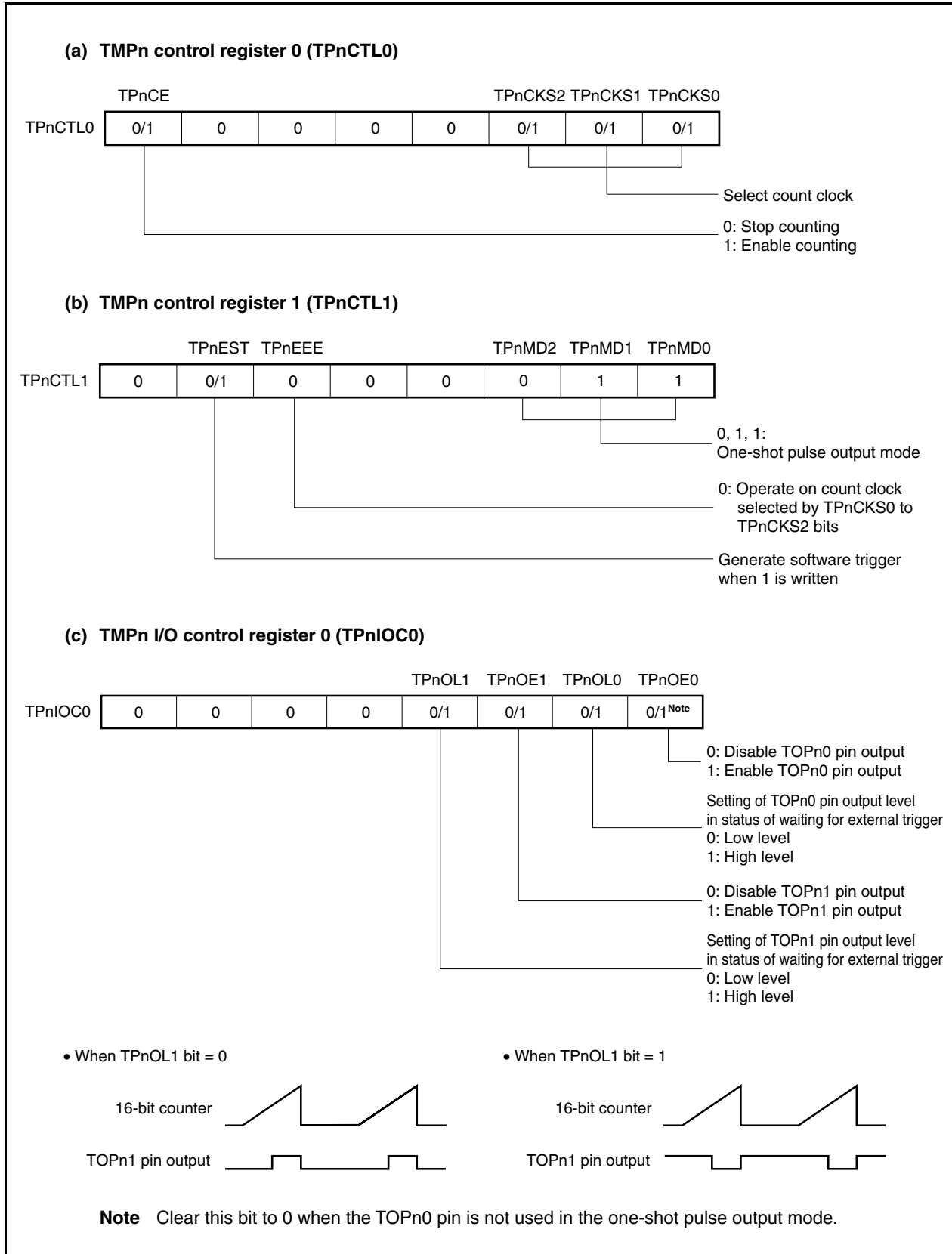
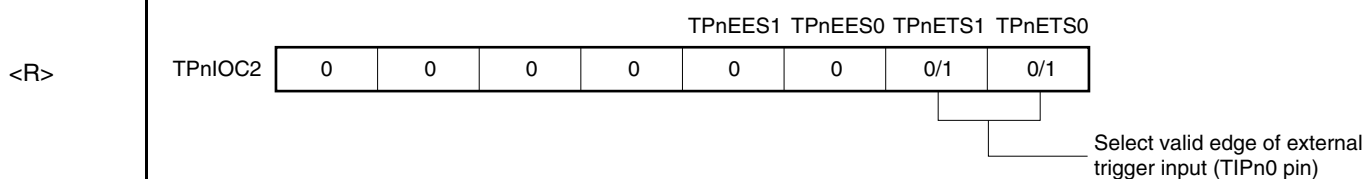


Figure 7-26. Setting of Registers in One-Shot Pulse Output Mode (2/2)

**(d) TMPn I/O control register 2 (TPnIOC2)**



**(e) TMPn counter read buffer register (TPnCNT)**

The value of the 16-bit counter can be read by reading the TPnCNT register.

**(f) TMPn capture/compare registers 0 and 1 (TPnCCR0 and TPnCCR1)**

If D<sub>0</sub> is set to the TPnCCR0 register and D<sub>1</sub> to the TPnCCR1 register, the active level width and output delay period of the one-shot pulse are as follows.

Active level width = (D<sub>0</sub> - D<sub>1</sub> + 1) × Count clock cycle

Output delay period = D<sub>1</sub> × Count clock cycle

<R>

**Caution** The one-shot pulse is not output if the set value of the TPnCCR1 register is greater than the set value of the TPnCCR0 register in the one-shot pulse output mode.

**Remarks** 1. TMPn I/O control register 1 (TPnIOC1) and TMPn option register 0 (TPnOPT0) are not used in the one-shot pulse output mode.

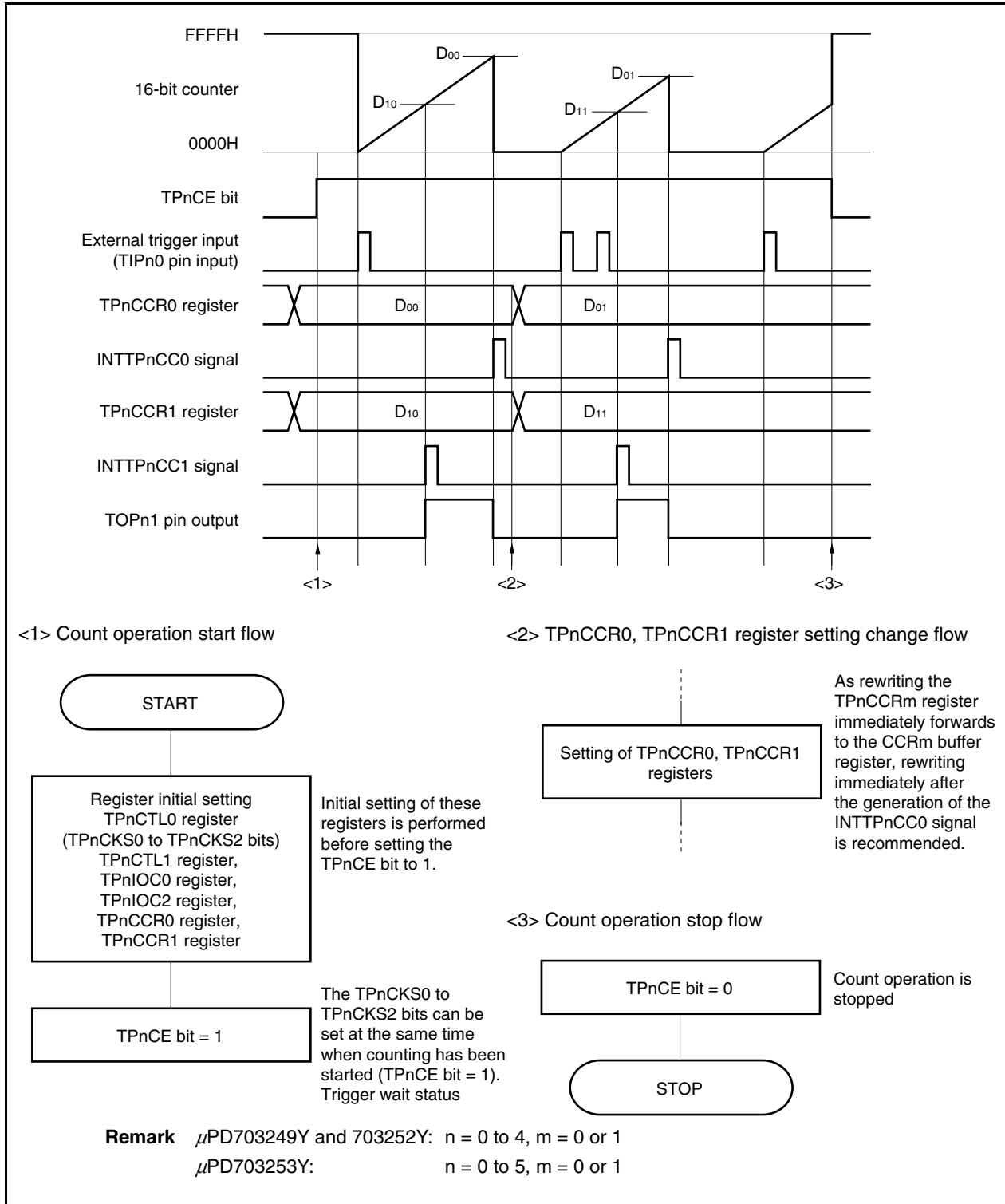
2.  $\mu$ PD703249Y and 703252Y: n = 0 to 4

$\mu$ PD703253Y: n = 0 to 5

<R>

(1) Operation flow in one-shot pulse output mode

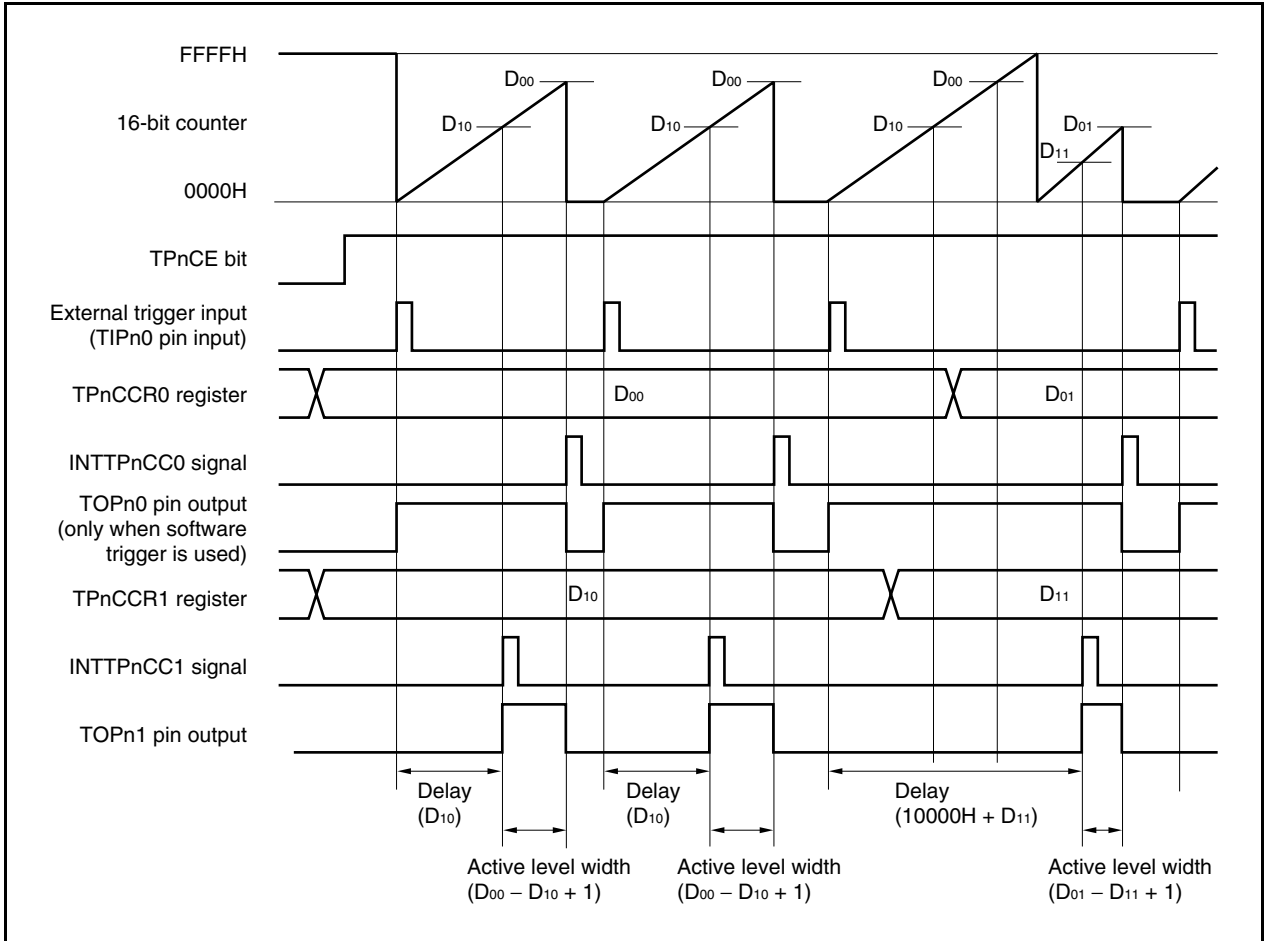
Figure 7-27. Software Processing Flow in One-Shot Pulse Output Mode



## (2) Operation timing in one-shot pulse output mode

## (a) Note on rewriting TPnCCRm register

When the value of the TPnCCRm register is rewritten to a smaller value during counting, the 16-bit counter may overflow. If there is a possibility of overflow, stop counting and then change the set value.



When the TPnCCR0 register is rewritten from D<sub>00</sub> to D<sub>01</sub> and the TPnCCR1 register is rewritten from D<sub>10</sub> to D<sub>11</sub> where D<sub>00</sub> > D<sub>01</sub> and D<sub>10</sub> > D<sub>11</sub>, if the TPnCCR1 register is rewritten when the count value of the 16-bit counter is greater than D<sub>11</sub> and less than D<sub>10</sub> and if the TPnCCR0 register is rewritten when the count value is greater than D<sub>01</sub> and less than D<sub>00</sub>, each set value is reflected as soon as the register has been rewritten and compared with the count value. The counter counts up to FFFFH and then counts up again from 0000H. When the count value matches D<sub>11</sub>, the counter generates the INTTPnCC1 signal and asserts the TOPn1 pin. When the count value matches D<sub>01</sub>, the counter generates the INTTPnCC0 signal, deasserts the TOPn1 pin, and stops counting.

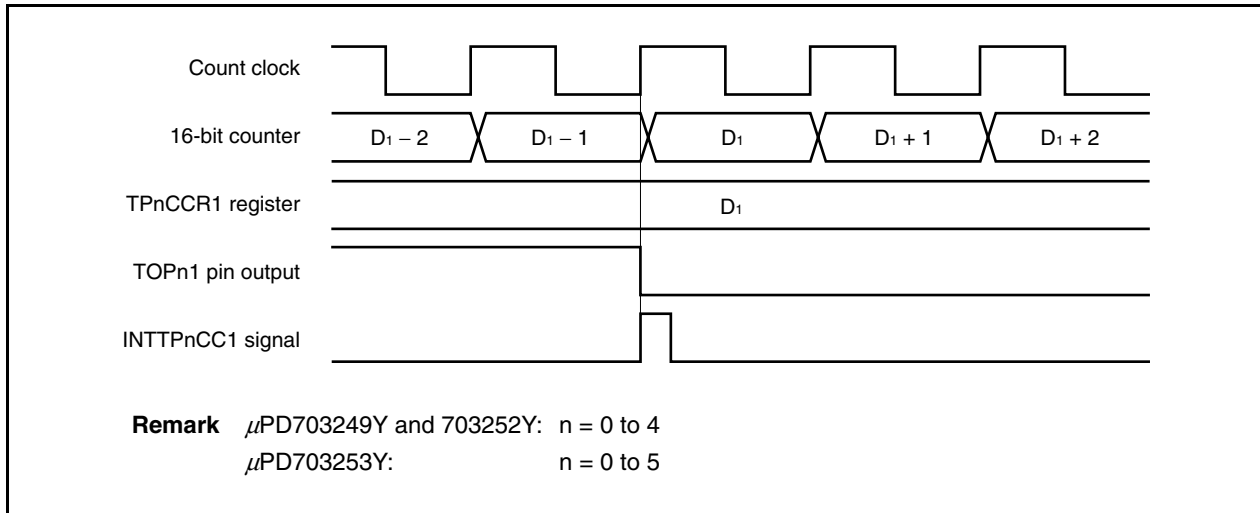
Therefore, the counter may output a pulse with a delay period or active period different from that of the one-shot pulse that is originally expected.

**Remark**  $\mu$ PD703249Y and 703252Y: n = 0 to 4, m = 0 or 1  
 $\mu$ PD703253Y: n = 0 to 5, m = 0 or 1

&lt;R&gt;

**(b) Generation timing of compare match interrupt request signal (INTTPnCC1)**

The generation timing of the INTTPnCC1 signal in the one-shot pulse output mode is different from other mode INTTPnCC1 signals; the INTTPnCC1 signal is generated when the count value of the 16-bit counter matches the value of the TPnCCR1 register.



Usually, the INTTPnCC1 signal is generated when the 16-bit counter counts up next time after its count value matches the value of the TPnCCR1 register.

In the one-shot pulse output mode, however, it is generated one clock earlier. This is because the timing is changed to match the change timing of the TOPn1 pin.

**Remark**  $\mu$ PD703249Y and 703252Y:  $n = 0$  to  $4$   
 $\mu$ PD703253Y:  $n = 0$  to  $5$

7.6.5 PWM output mode (TPnMD2 to TPnMD0 bits = 100)

In the PWM output mode, a PWM waveform is output from the TOPn1 pin when the TPnCTL0.TPnCE bit is set to 1.

In addition, a square wave with a duty factor of 50% with the set value of the TPnCCR0 register + 1 as half its cycle is output from the TOPn0 pin.

<R>

Figure 7-28. Configuration in PWM Output Mode

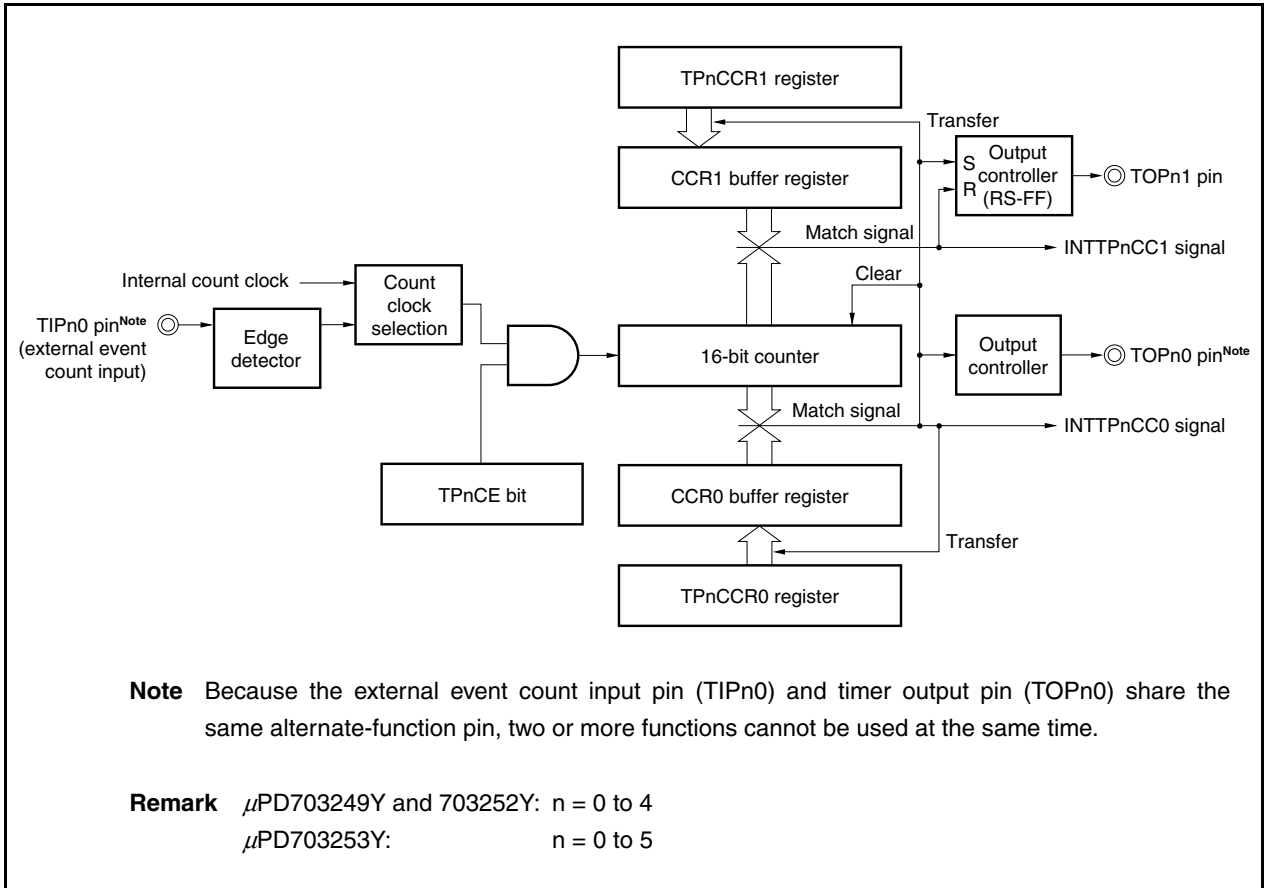
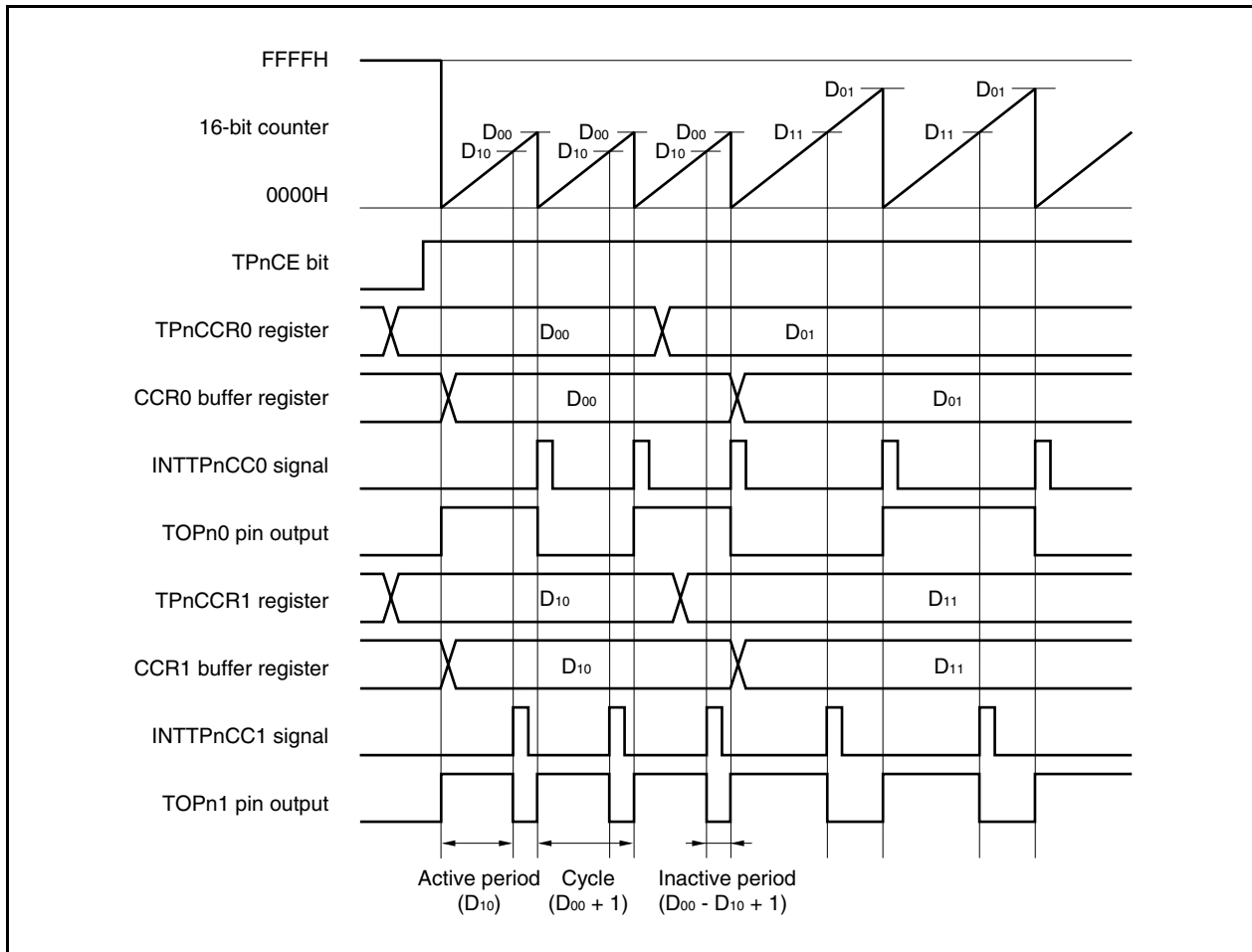


Figure 7-29. Basic Timing in PWM Output Mode



When the TPnCE bit is set to 1, the 16-bit counter is cleared from FFFFH to 0000H, starts counting, and outputs a PWM waveform from the TOPn1 pin.

The active level width, cycle, and duty factor of the PWM waveform can be calculated as follows.

$$\text{Active level width} = (\text{Set value of TPnCCR1 register}) \times \text{Count clock cycle}$$

$$\text{Cycle} = (\text{Set value of TPnCCR0 register} + 1) \times \text{Count clock cycle}$$

$$\text{Duty factor} = (\text{Set value of TPnCCR1 register}) / (\text{Set value of TPnCCR0 register} + 1)$$

The PWM waveform can be changed by rewriting the TPnCCRm register while the counter is operating. The newly written value is reflected when the count value of the 16-bit counter matches the value of the CCR0 buffer register and the 16-bit counter is cleared to 0000H.

The compare match interrupt request signal INTTPnCC0 is generated when the 16-bit counter counts next time after its count value matches the value of the CCR0 buffer register, and the 16-bit counter is cleared to 0000H. The compare match interrupt request signal INTTPnCC1 is generated when the count value of the 16-bit counter matches the value of the CCR1 buffer register.

The value set to the TPnCCRm register is transferred to the CCRm buffer register when the count value of the 16-bit counter matches the value of the CCRm buffer register and the 16-bit counter is cleared to 0000H.

<R> **Remark**  $\mu$ PD703249Y and 703252Y: n = 0 to 4, m = 0 or 1,  $\mu$ PD703253Y: n = 0 to 5, m = 0 or 1



Figure 7-30. Setting of Registers in PWM Output Mode (1/2)

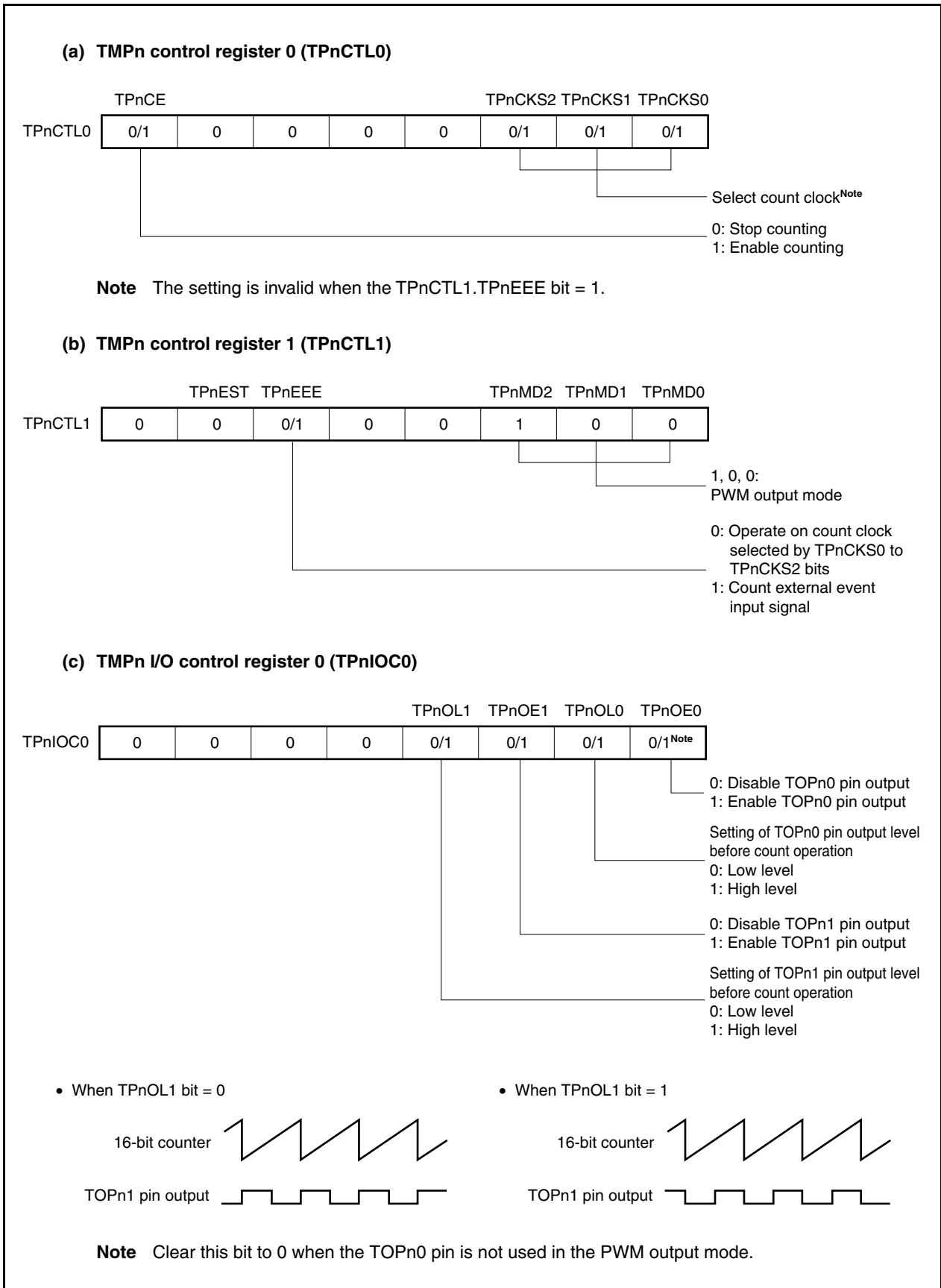
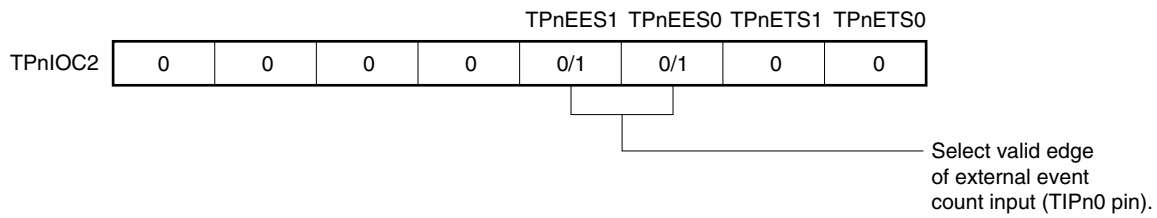


Figure 7-30. Register Setting in PWM Output Mode (2/2)

**(d) TMPn I/O control register 2 (TPnIOC2)****(e) TMPn counter read buffer register (TPnCNT)**

The value of the 16-bit counter can be read by reading the TPnCNT register.

**(f) TMPn capture/compare registers 0 and 1 (TPnCCR0 and TPnCCR1)**

If  $D_0$  is set to the TPnCCR0 register and  $D_1$  to the TPnCCR1 register, the cycle and active level of the PWM waveform are as follows.

$$\text{Cycle} = (D_0 + 1) \times \text{Count clock cycle}$$

$$\text{Active level width} = D_1 \times \text{Count clock cycle}$$

**Remarks** 1. TMPn I/O control register 1 (TPnIOC1) and TMPn option register 0 (TPnOPT0) are not used in the PWM output mode.

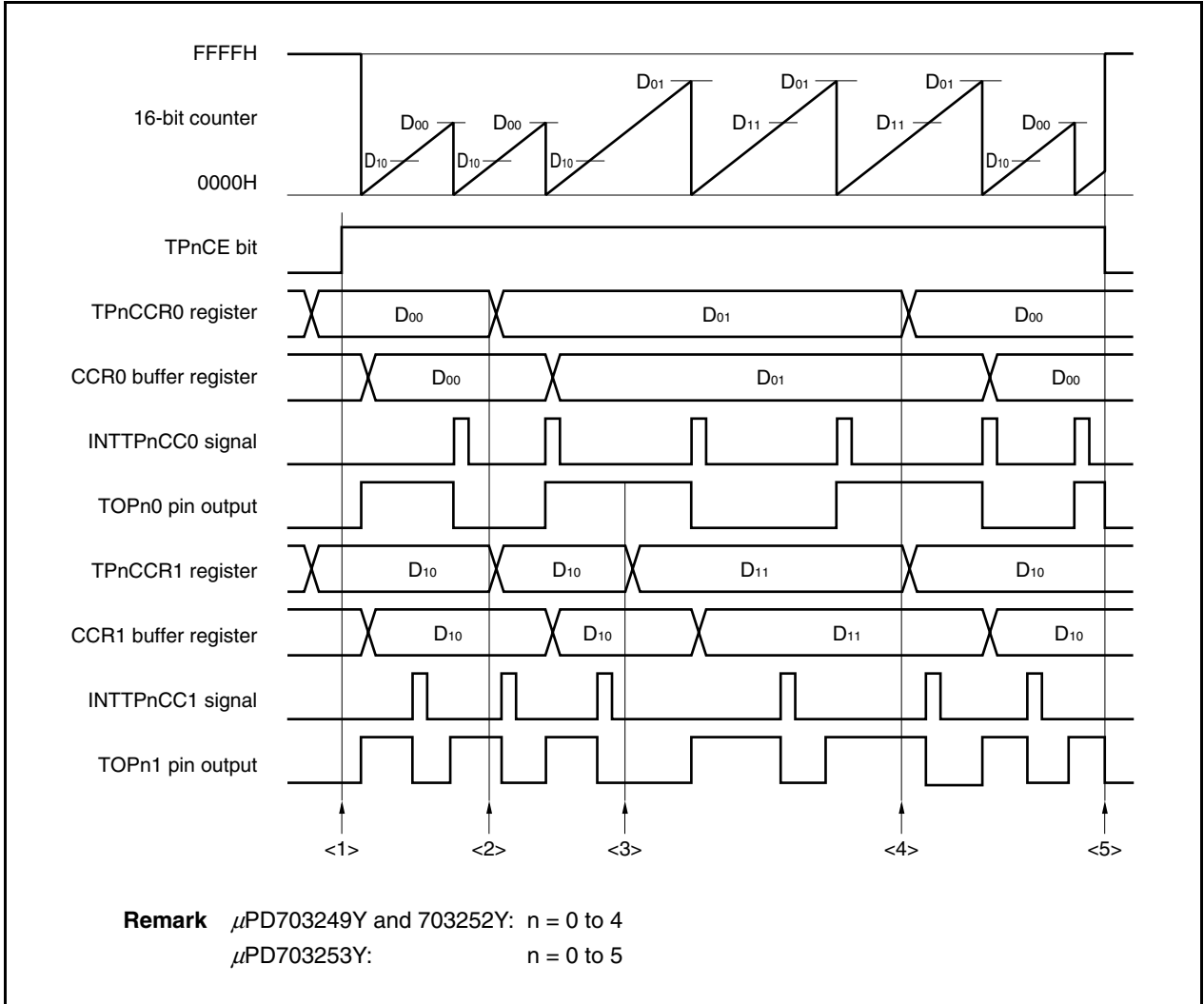
2.  $\mu$ PD703249Y and 703252Y:  $n = 0$  to 4

$\mu$ PD703253Y:  $n = 0$  to 5

&lt;R&gt;

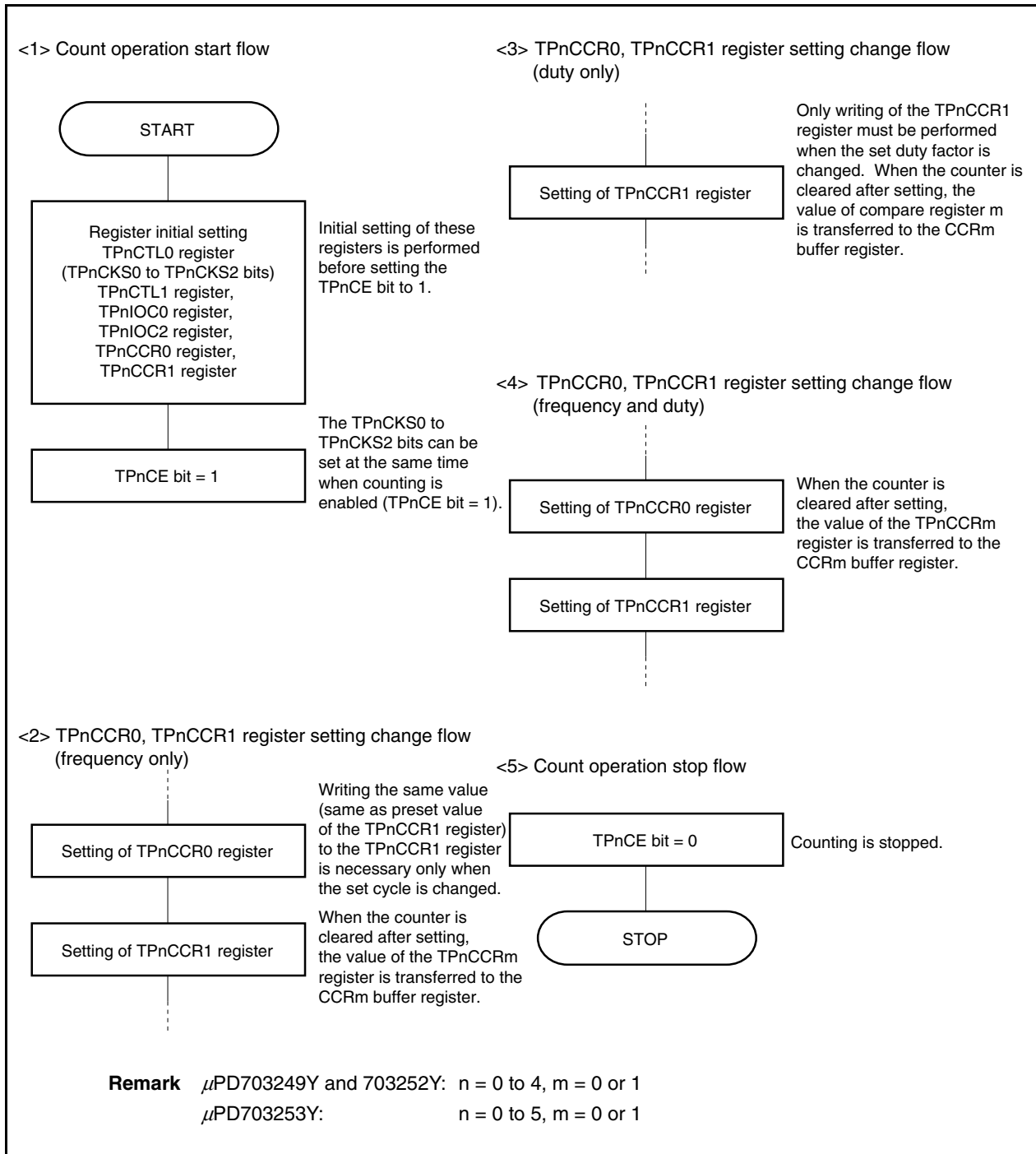
(1) Operation flow in PWM output mode

Figure 7-31. Software Processing Flow in PWM Output Mode (1/2)



<R>

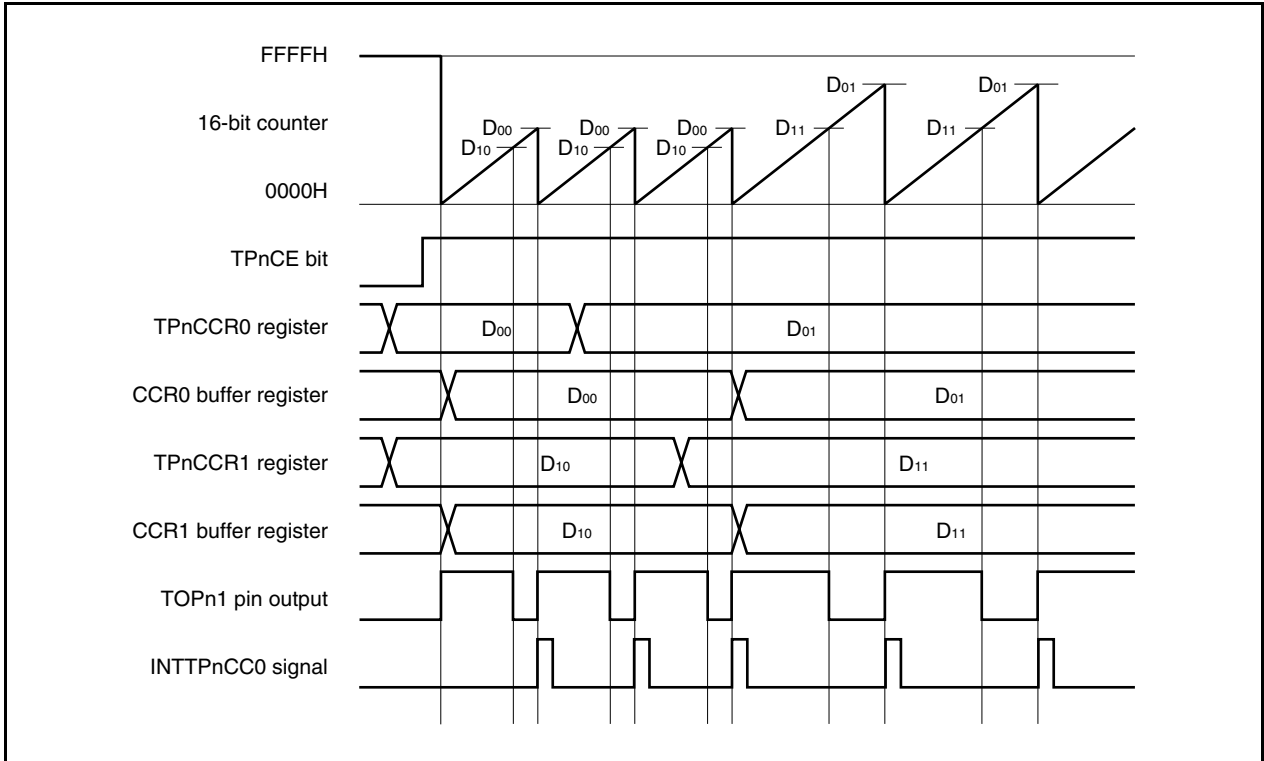
Figure 7-31. Software Processing Flow in PWM Output Mode (2/2)



**(2) PWM output mode operation timing****(a) Changing pulse width during operation**

To change the PWM waveform while the counter is operating, write the TPnCCR1 register last.

Rewrite the TPnCCRm register after writing the TPnCCR1 register after the INTTPnCC1 signal is detected.



To transfer data from the TPnCCRm register to the CCRm buffer register, the TPnCCR1 register must be written.

To change both the cycle and active level of the PWM waveform at this time, first set the cycle to the TPnCCR0 register and then set the active level to the TPnCCR1 register.

To change only the cycle of the PWM waveform, first set the cycle to the TPnCCR0 register, and then write the same value (same as preset value of the TPnCCR1 register) to the TPnCCR1 register.

To change only the active level width (duty factor) of the PWM waveform, only the TPnCCR1 register has to be set.

After data is written to the TPnCCR1 register, the value written to the TPnCCRm register is transferred to the CCRm buffer register in synchronization with clearing of the 16-bit counter, and is used as the value compared with the 16-bit counter.

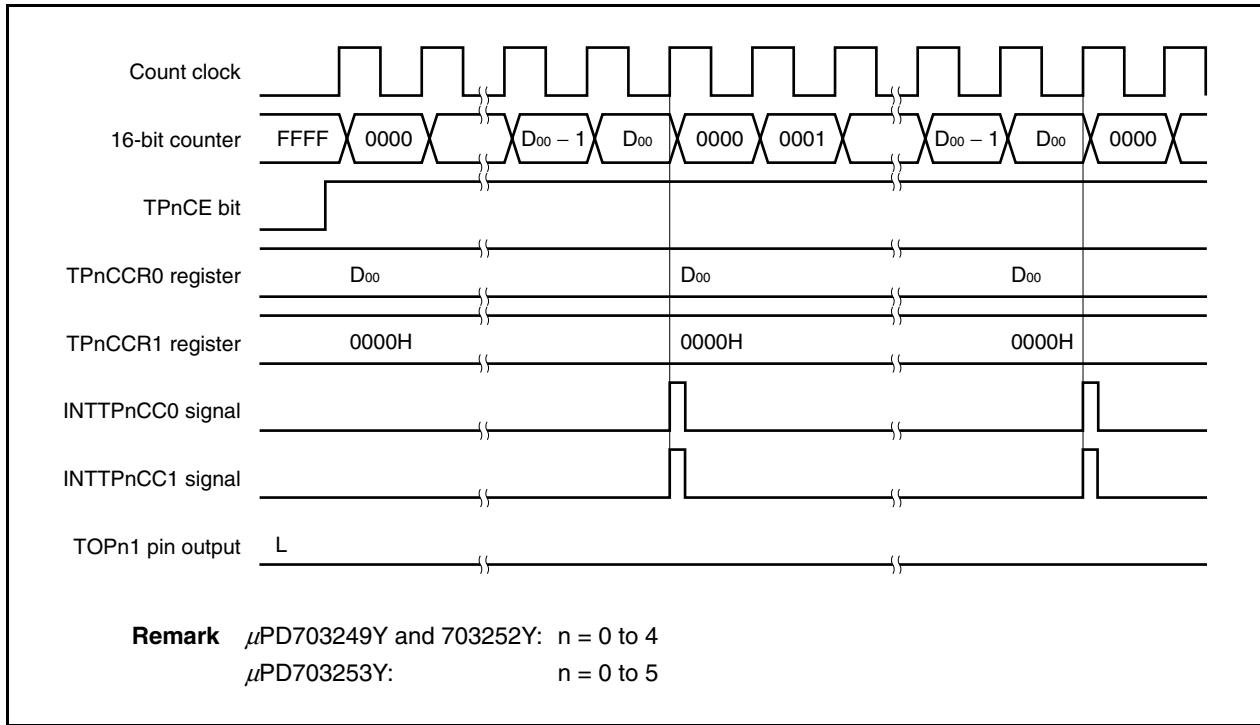
To write the TPnCCR0 or TPnCCR1 register again after writing the TPnCCR1 register once, do so after the INTTPnCC0 signal is generated. Otherwise, the value of the CCRm buffer register may become undefined because the timing of transferring data from the TPnCCRm register to the CCRm buffer register conflicts with writing the TPnCCRm register.

<R>

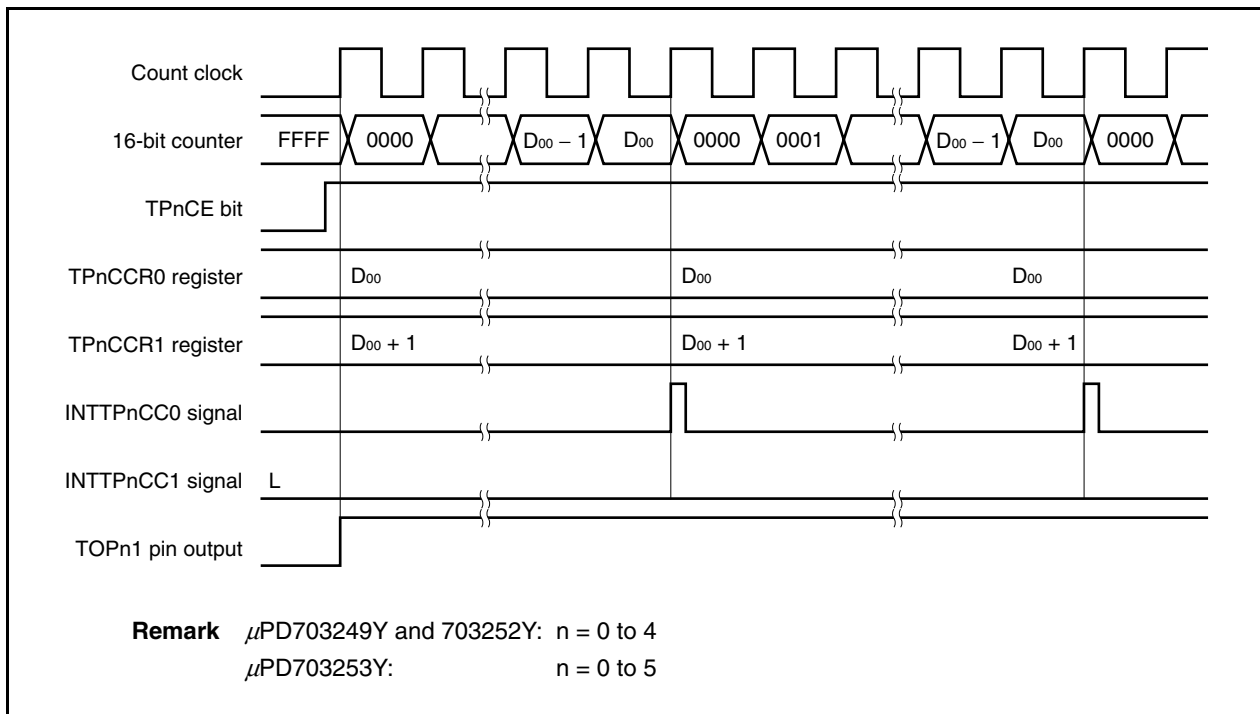
**Remark**  $\mu$ PD703249Y and 703252Y: n = 0 to 4, m = 0 or 1,  $\mu$ PD703253Y: n = 0 to 5, m = 0 or 1

**(b) 0%/100% output of PWM waveform**

<R> To output a 0% waveform, set the TPnCCR1 register to 0000H. The 16-bit counter is cleared to 0000H and the INTTPnCC0 and INTTPnCC1 signals are generated at the next timing after a match between the count value of the 16-bit counter and the value of the CCR0 buffer register.

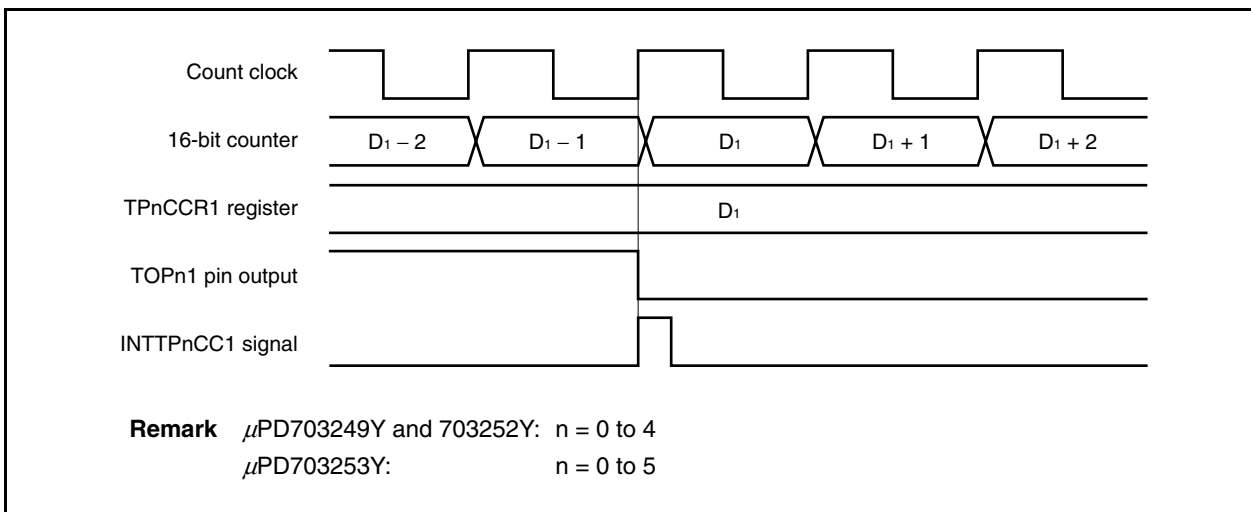


To output a 100% waveform, set a value of (set value of TPnCCR0 register + 1) to the TPnCCR1 register. If the set value of the TPnCCR0 register is FFFFH, 100% output cannot be produced.



**(c) Generation timing of compare match interrupt request signal (INTTPnCC1)**

The timing of generation of the INTTPnCC1 signal in the PWM output mode differs from the timing of other mode INTTPnCC1 signals; the INTTPnCC1 signal is generated when the count value of the 16-bit counter matches the value of the TPnCCR1 register.



&lt;R&gt;

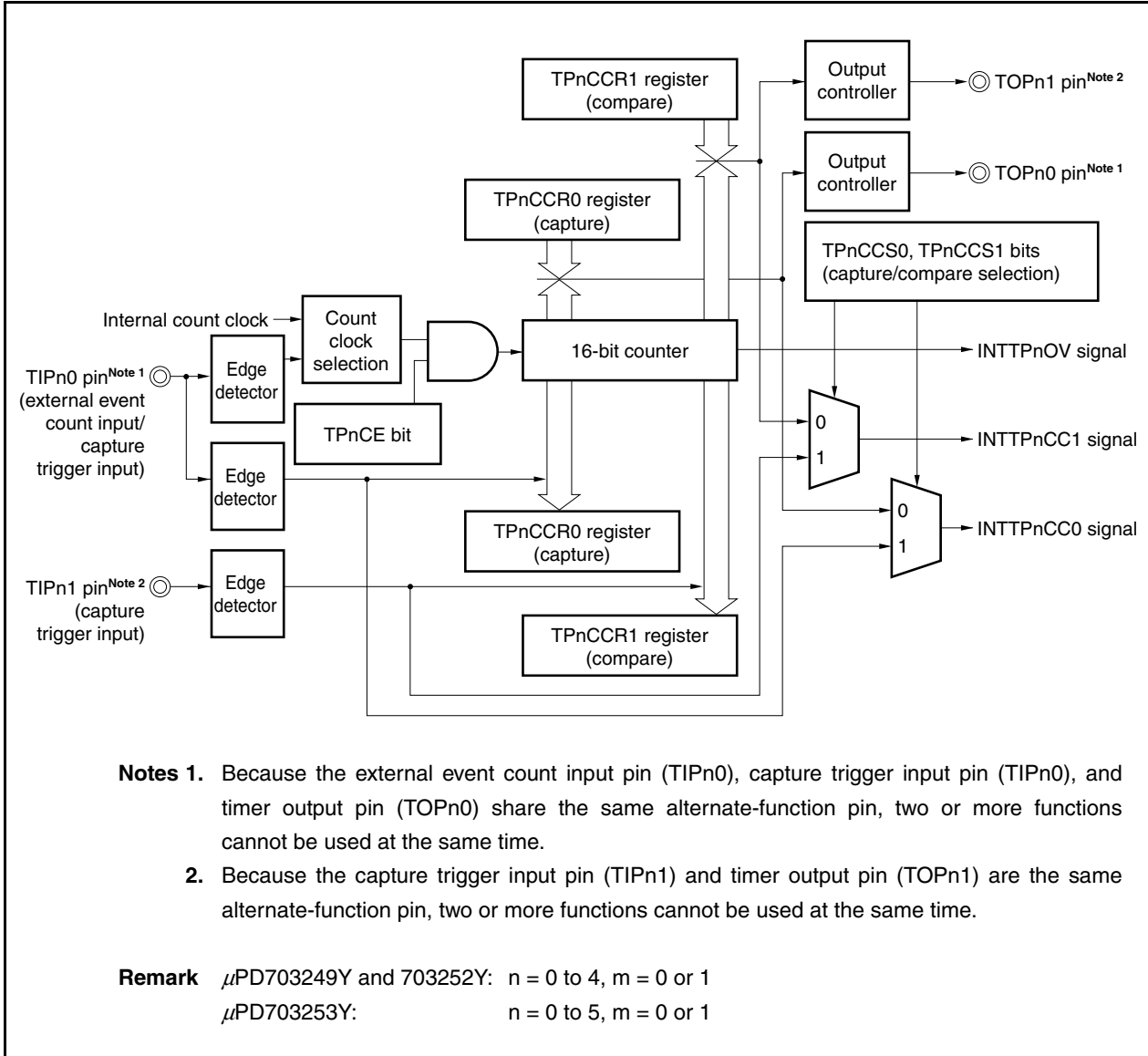
Usually, the INTTPnCC1 signal is generated in synchronization with the next counting up after the count value of the 16-bit counter matches the value of the TPnCCR1 register.

In the PWM output mode, however, it is generated one clock earlier. This is because the timing is changed to match the change timing of the output signal of the TOPn1 pin.

7.6.6 Free-running timer mode (TPnMD2 to TPnMD0 bits = 101)

In the free-running timer mode, 16-bit timer/event counter P starts counting when the TPnCTL0.TPnCE bit is set to 1. At this time, the TPnCCRm register can be used as a compare register or a capture register, depending on the setting of the TPnOPT0.TPnCCS0 and TPnOPT0.TPnCCS1 bits.

Figure 7-32. Configuration in Free-Running Timer Mode





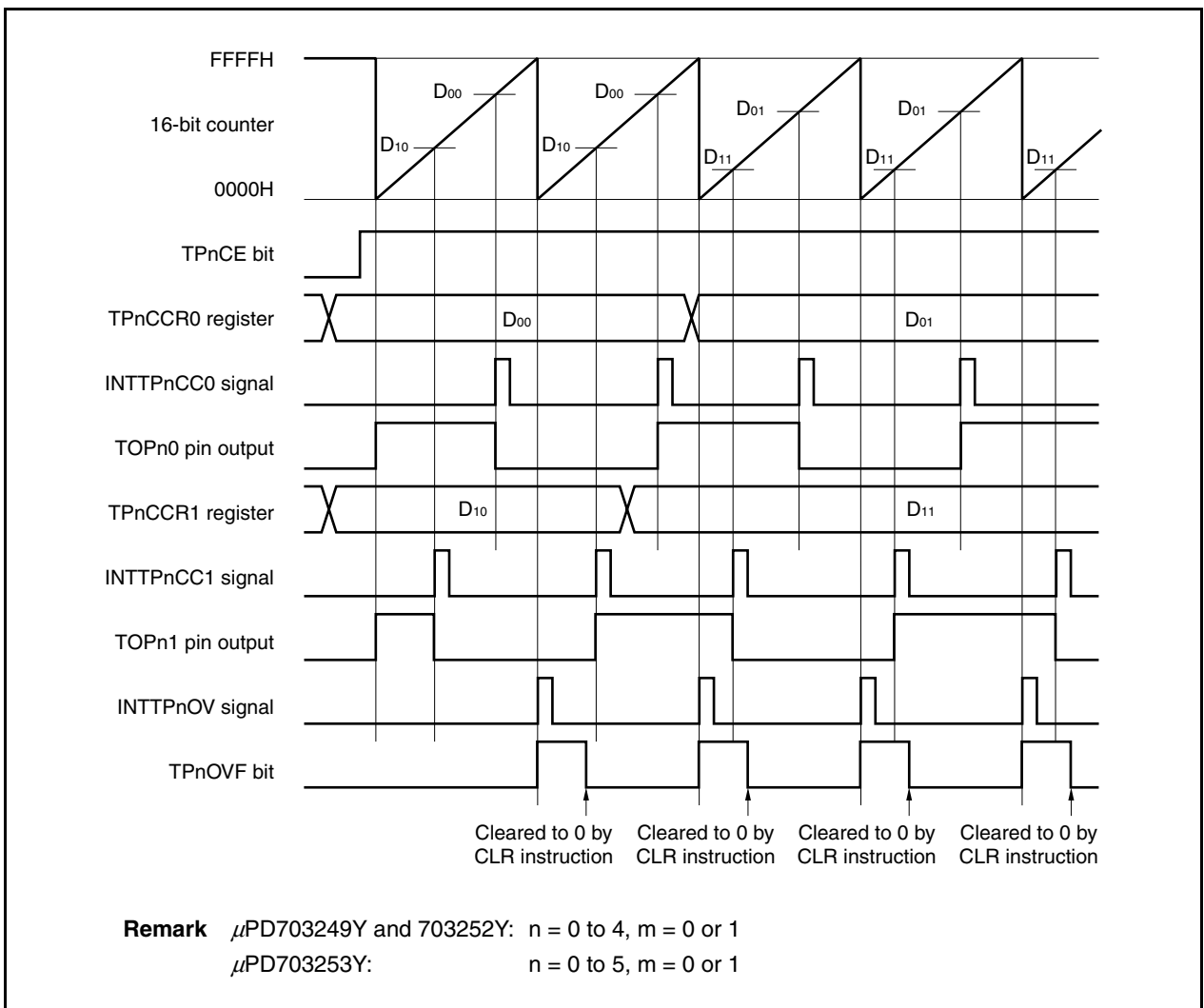
- Compare operation

When the TPnCE bit is set to 1, 16-bit timer/event counter P starts counting, and the output signals of the TOPn0 and TOPn1 pins are inverted. When the count value of the 16-bit counter later matches the set value of the TPnCCRm register, a compare match interrupt request signal (INTTPnCCm) is generated, and the output signals of the TOPnm pins are inverted.

The 16-bit counter continues counting in synchronization with the count clock. When it counts up to FFFFH, it generates an overflow interrupt request signal (INTTPnOV) at the next clock, is cleared to 0000H, and continues counting. At this time, the overflow flag (TPnOPT0.TPnOVF bit) is also set to 1. Confirm that the overflow flag is set to 1 and then clear it to 0 by executing the CLR instruction via software.

The TPnCCRm register can be rewritten while the counter is operating. If it is rewritten, the new value is reflected at that time by anytime write, and compared with the count value.

**Figure 7-33. Basic Timing in Free-Running Timer Mode (Compare Function)**



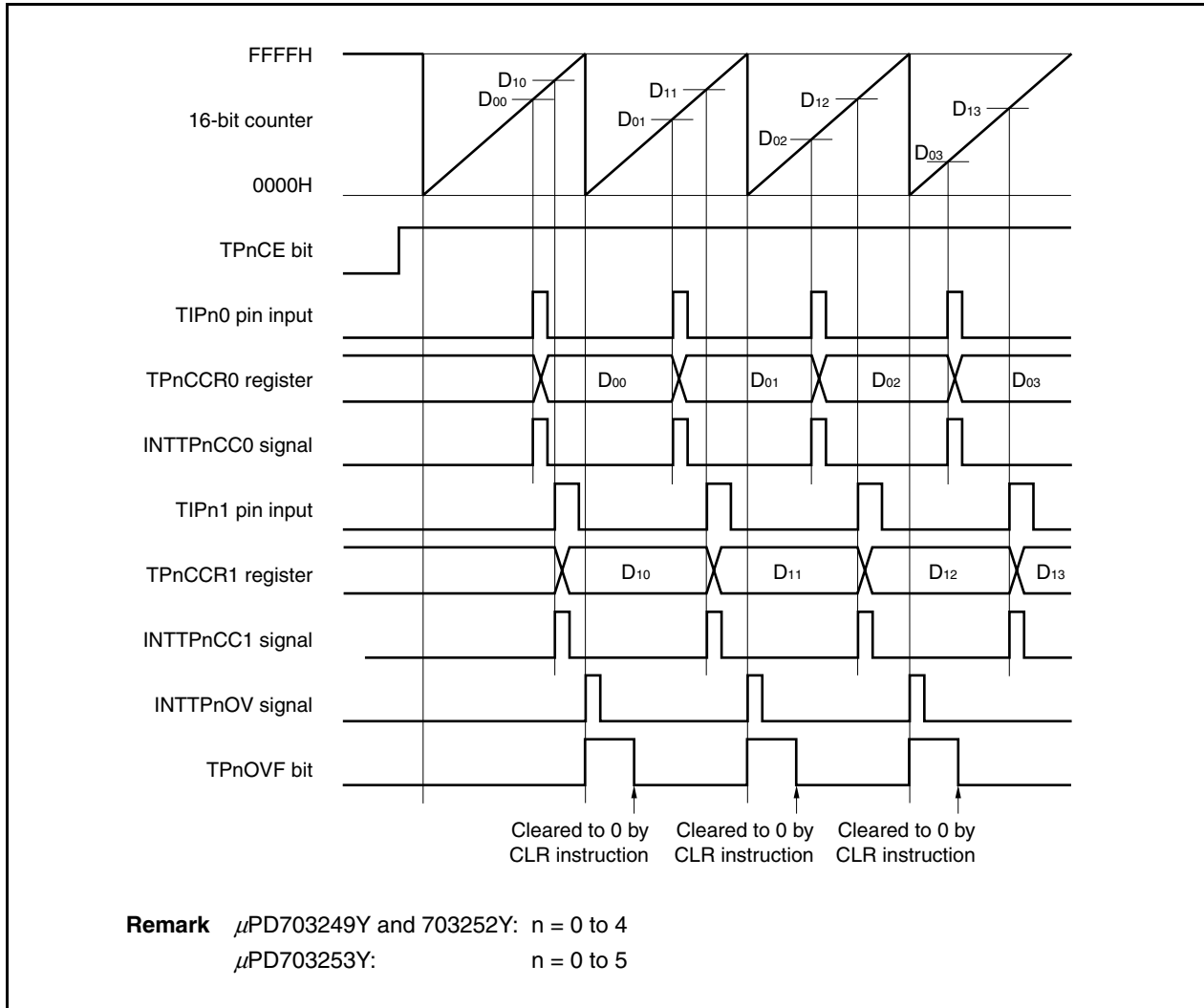
<R>

- Capture operation

When the TPnCE bit is set to 1, the 16-bit counter starts counting. When the valid edge input to the TIPnm pin is detected, the count value of the 16-bit counter is stored in the TPnCCRm register, and a capture interrupt request signal (INTTPnCCm) is generated.

The 16-bit counter continues counting in synchronization with the count clock. When it counts up to FFFFH, it generates an overflow interrupt request signal (INTTPnOV) at the next clock, is cleared to 0000H, and continues counting. At this time, the overflow flag (TPnOPT0.TPnOVF bit) is also set to 1. Confirm that the overflow flag is set to 1 and then clear it to 0 by executing the CLR instruction via software.

**Figure 7-34. Basic Timing in Free-Running Timer Mode (Capture Function)**



<R>

Figure 7-35. Register Setting in Free-Running Timer Mode (1/3)

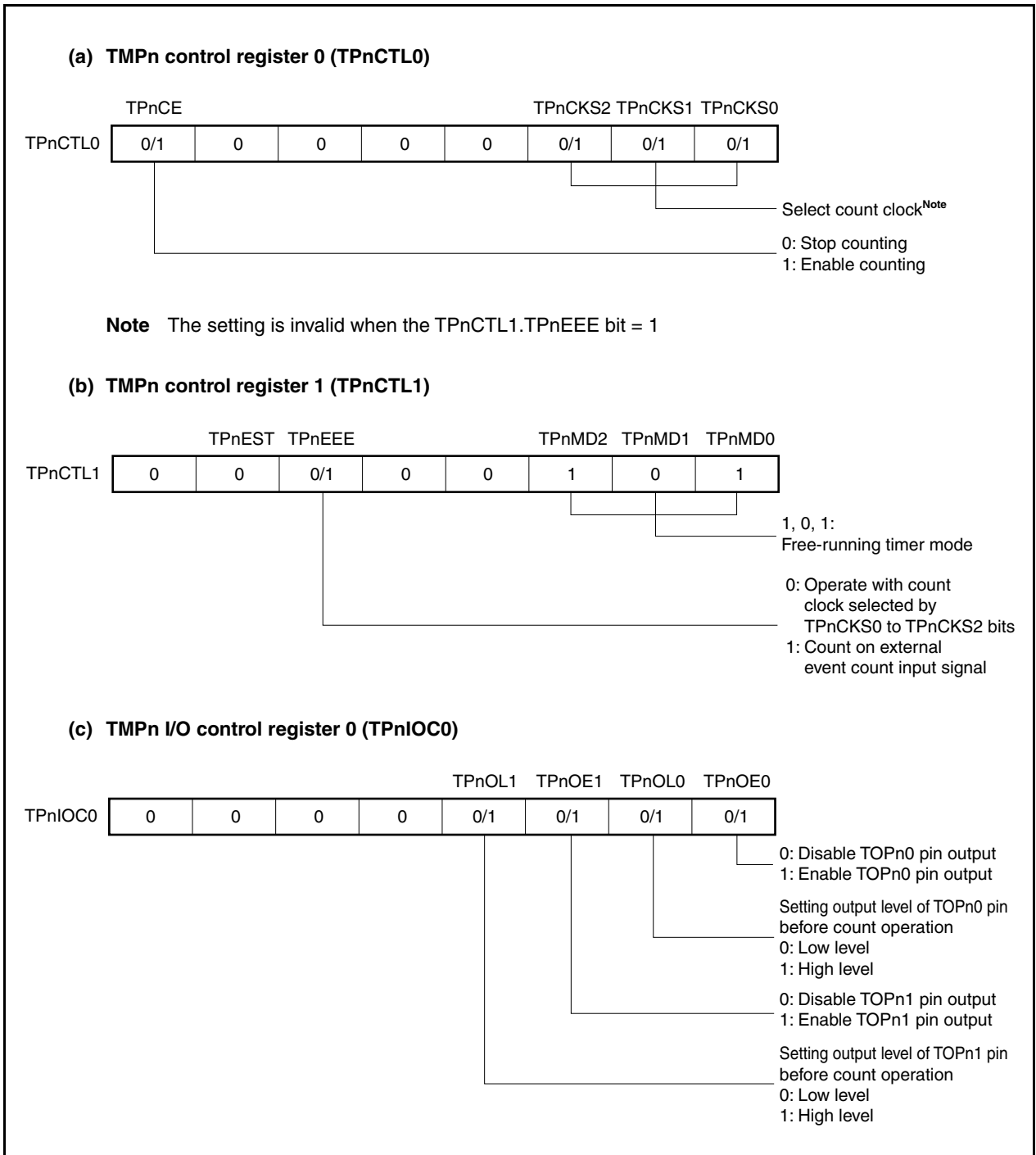
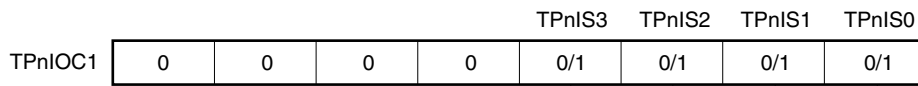


Figure 7-35. Register Setting in Free-Running Timer Mode (2/3)

(d) TMPn I/O control register 1 (TPnIOC1)



<R>

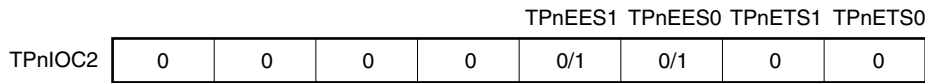
Select valid edge of TIPn0 pin input<sup>Note</sup>

Select valid edge of TIPn1 pin input

<R>

**Note** Set the valid edge selection of the unused alternate external input signals to “No edge detection”.

(e) TMPn I/O control register 2 (TPnIOC2)



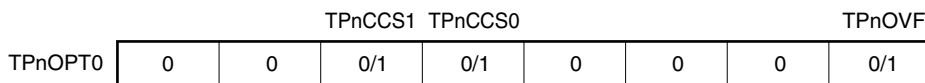
<R>

Select valid edge of external event count input (TIPn0 pin)<sup>Note</sup>

<R>

**Note** Set the valid edge selection of the unused alternate external input signals to “No edge detection”.

(f) TMPn option register 0 (TPnOPT0)



Overflow flag

Specifies if TPnCCR0 register functions as capture or compare register  
0: Compare register  
1: Capture register

Specifies if TPnCCR1 register functions as capture or compare register  
0: Compare register  
1: Capture register

(g) TMPn counter read buffer register (TPnCNT)

The value of the 16-bit counter can be read by reading the TPnCNT register.

Figure 7-35. Register Setting in Free-Running Timer Mode (3/3)

**(h) TMPn capture/compare registers 0 and 1 (TPnCCR0 and TPnCCR1)**

These registers function as capture registers or compare registers depending on the setting of the TPnOPT0.TPnCCSm bit.

When the registers function as capture registers, they store the count value of the 16-bit counter when the valid edge input to the TIPnm pin is detected.

When the registers function as compare registers and when  $D_m$  is set to the TPnCCRm register, the INTTPnCCm signal is generated when the counter reaches  $(D_m + 1)$ , and the output signal of the TOPnm pin is inverted.

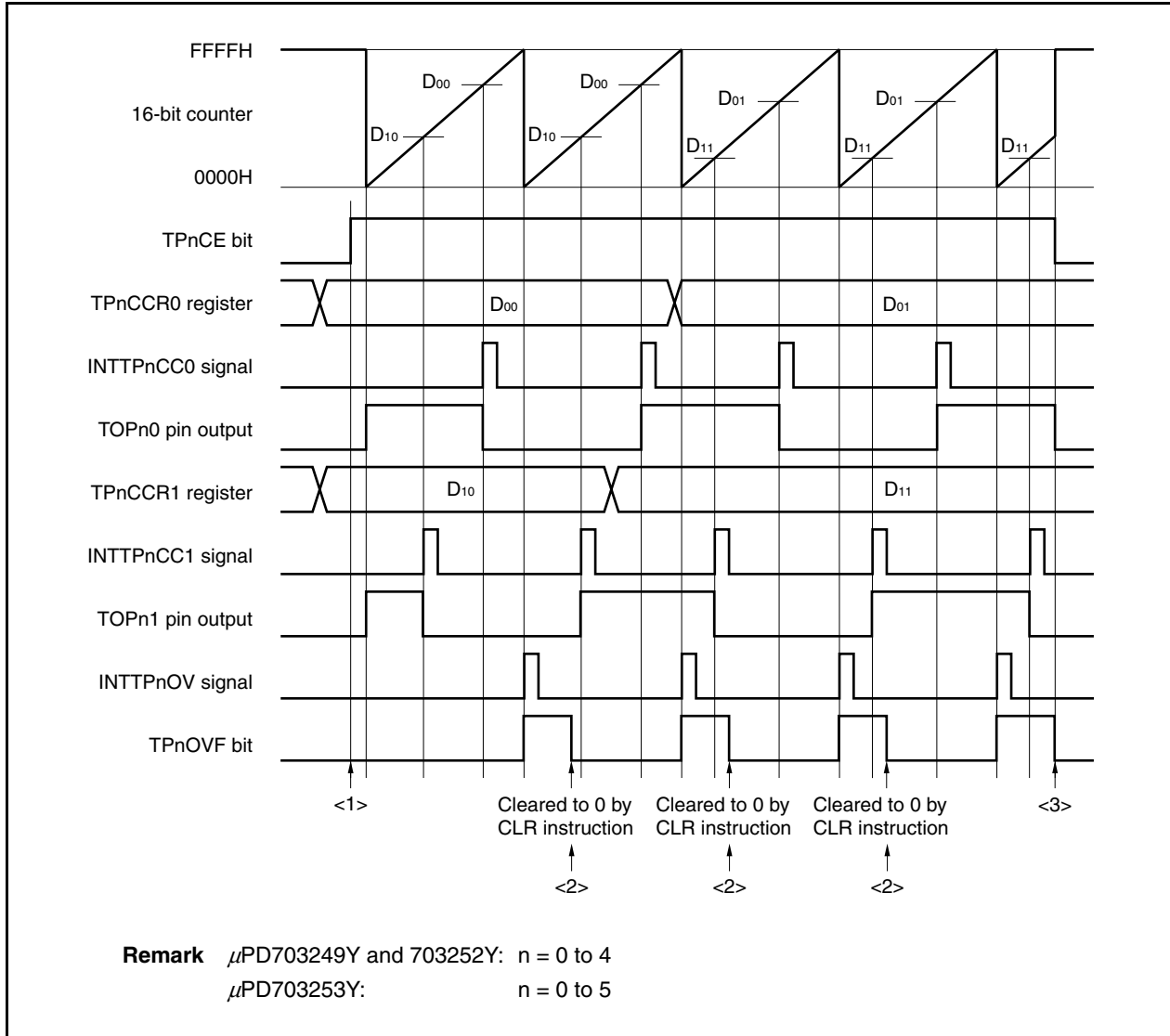
**Remark**  $\mu$ PD703249Y and 703252Y:  $n = 0$  to 4,  $m = 0$  or 1  
 $\mu$ PD703253Y:  $n = 0$  to 5,  $m = 0$  or 1

&lt;R&gt;

(1) Operation flow in free-running timer mode

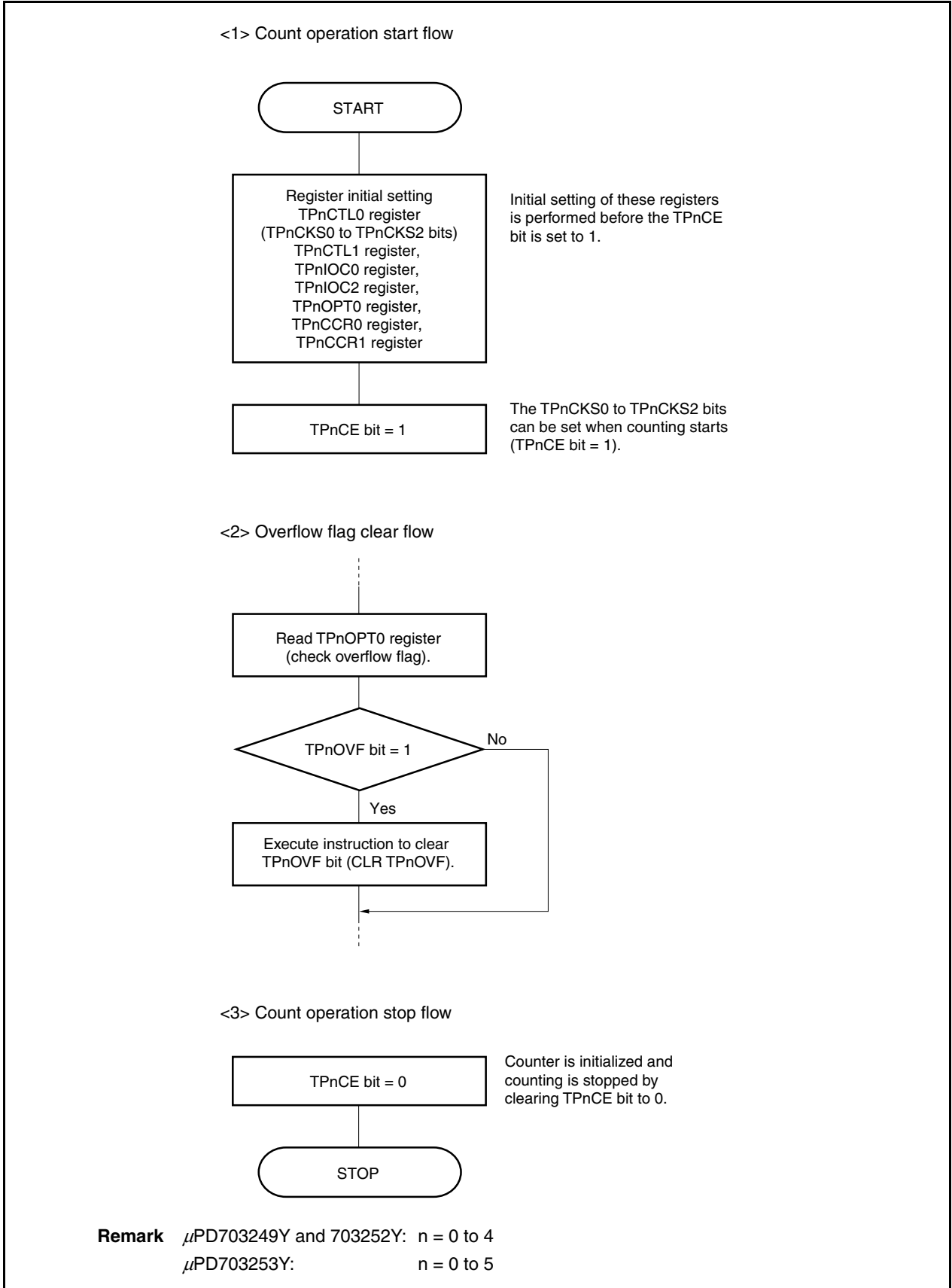
(a) When using capture/compare register as compare register

Figure 7-36. Software Processing Flow in Free-Running Timer Mode (Compare Function) (1/2)



<R>

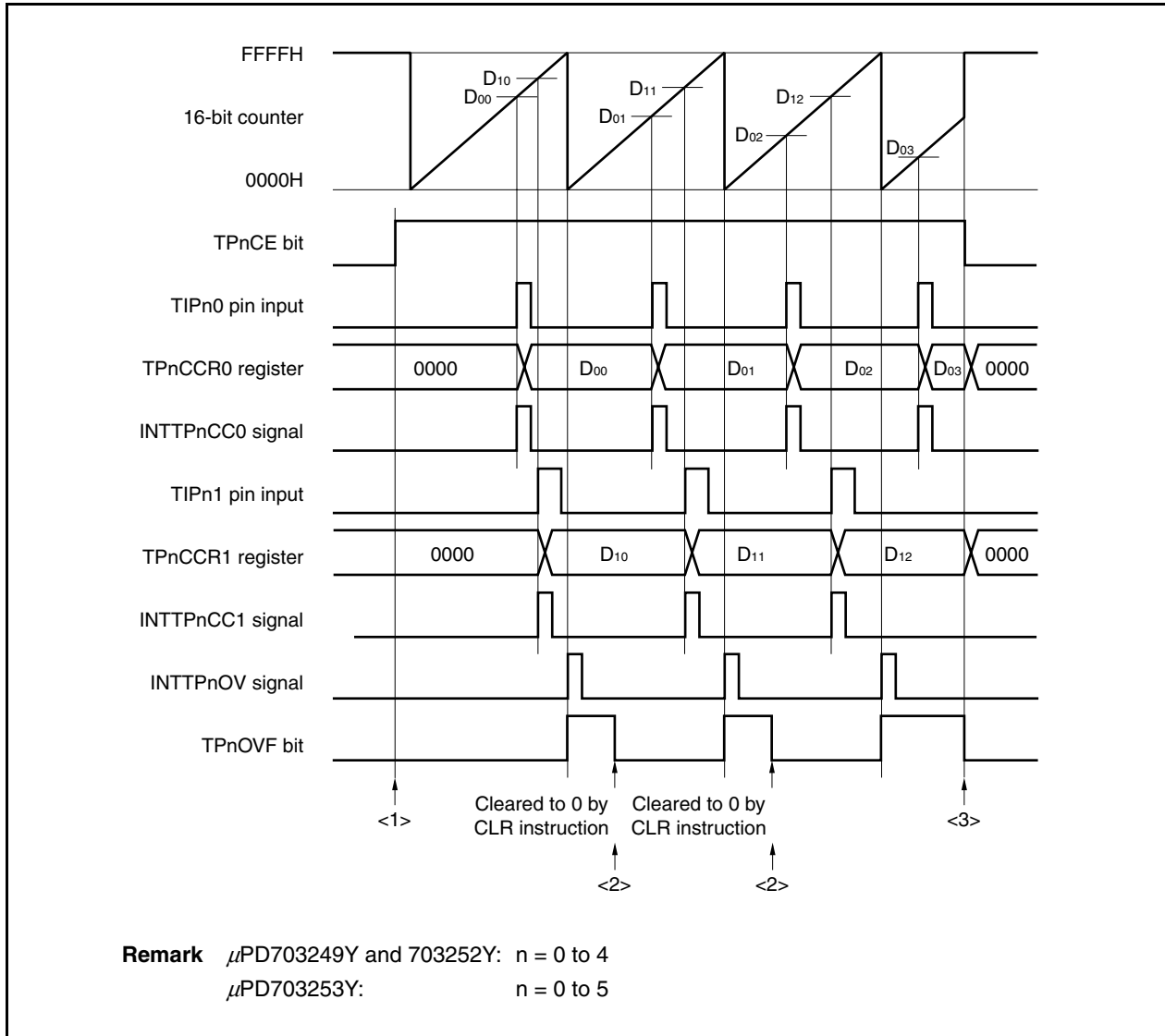
Figure 7-36. Software Processing Flow in Free-Running Timer Mode (Compare Function) (2/2)



<R>

(b) When using capture/compare register as capture register

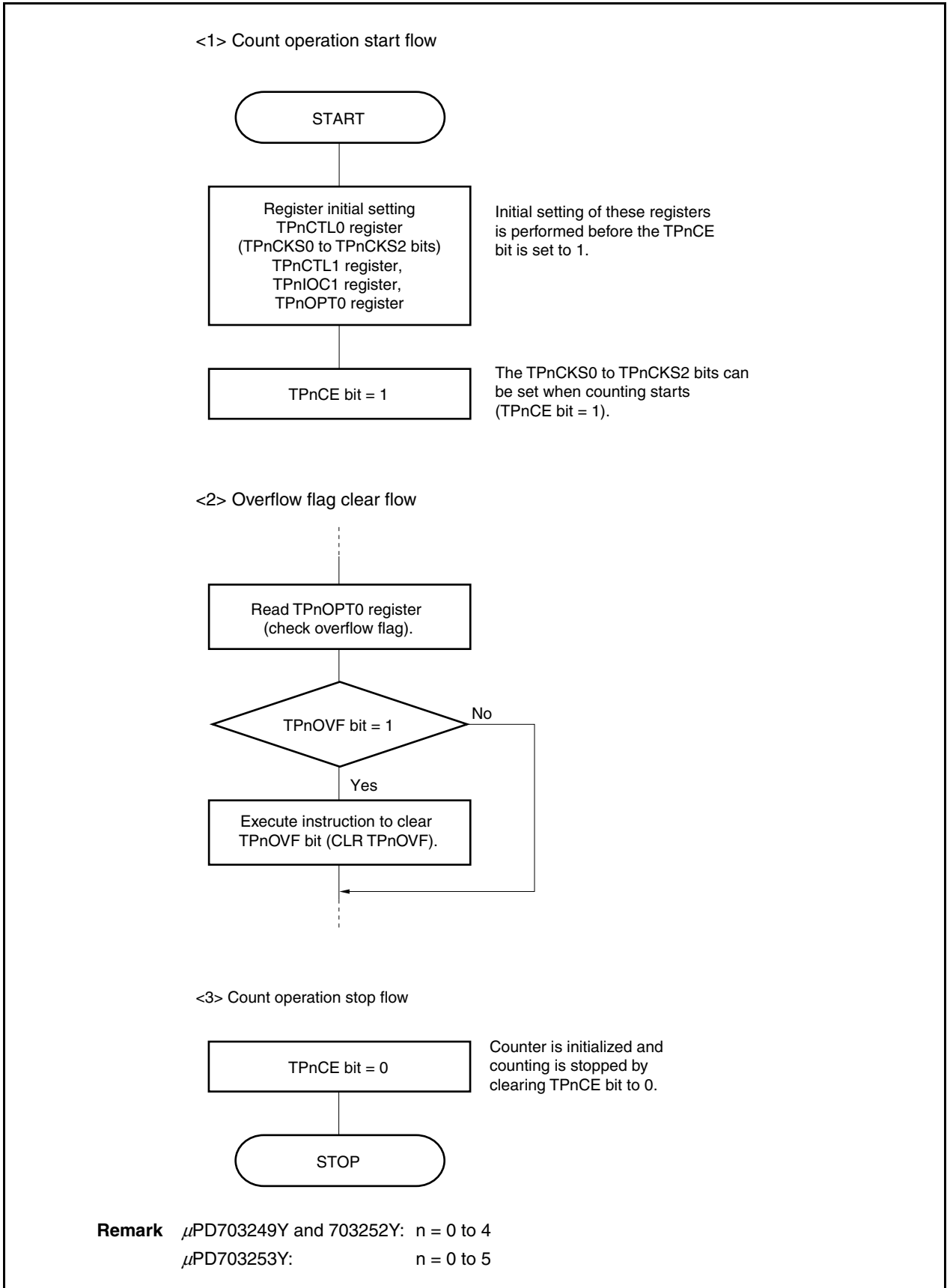
Figure 7-37. Software Processing Flow in Free-Running Timer Mode (Capture Function) (1/2)



<R>



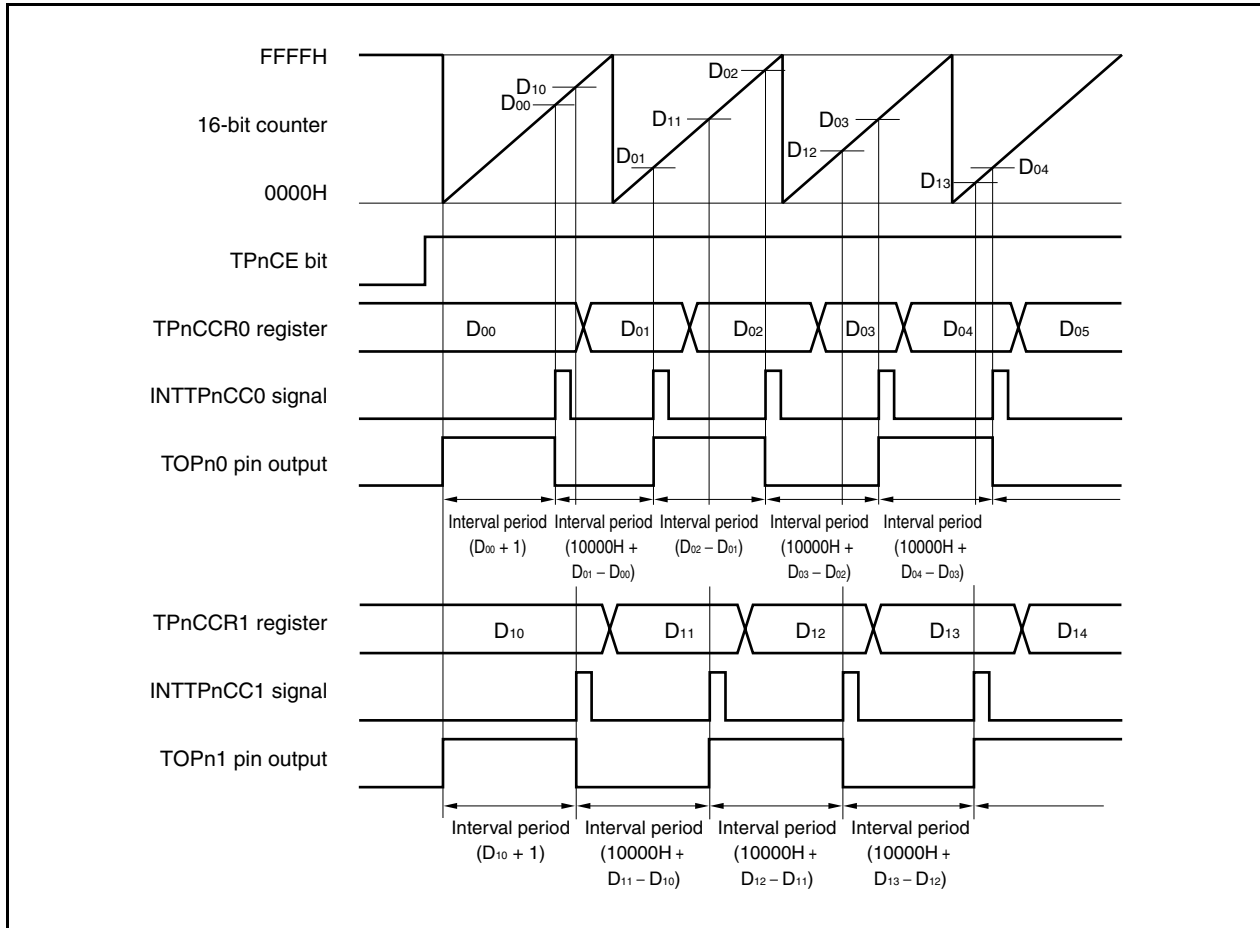
Figure 7-37. Software Processing Flow in Free-Running Timer Mode (Capture Function) (2/2)



(2) Operation timing in free-running timer mode

(a) Interval operation with compare register

When 16-bit timer/event counter P is used as an interval timer with the TPnCCRm register used as a compare register, software processing is necessary for setting a comparison value to generate the next interrupt request signal each time the INTTPnCCm signal has been detected.



When performing an interval operation in the free-running timer mode, two intervals can be set with one channel.

To perform the interval operation, the value of the corresponding TPnCCRm register must be re-set in the interrupt servicing that is executed when the INTTPnCCm signal is detected.

The set value for re-setting the TPnCCRm register can be calculated by the following expression, where “D<sub>m</sub>” is the interval period.

Compare register default value:  $D_m - 1$

Value set to compare register second and subsequent time: Previous set value +  $D_m$

(If the calculation result is greater than FFFFH, subtract 10000H from the result and set this value to the register.)

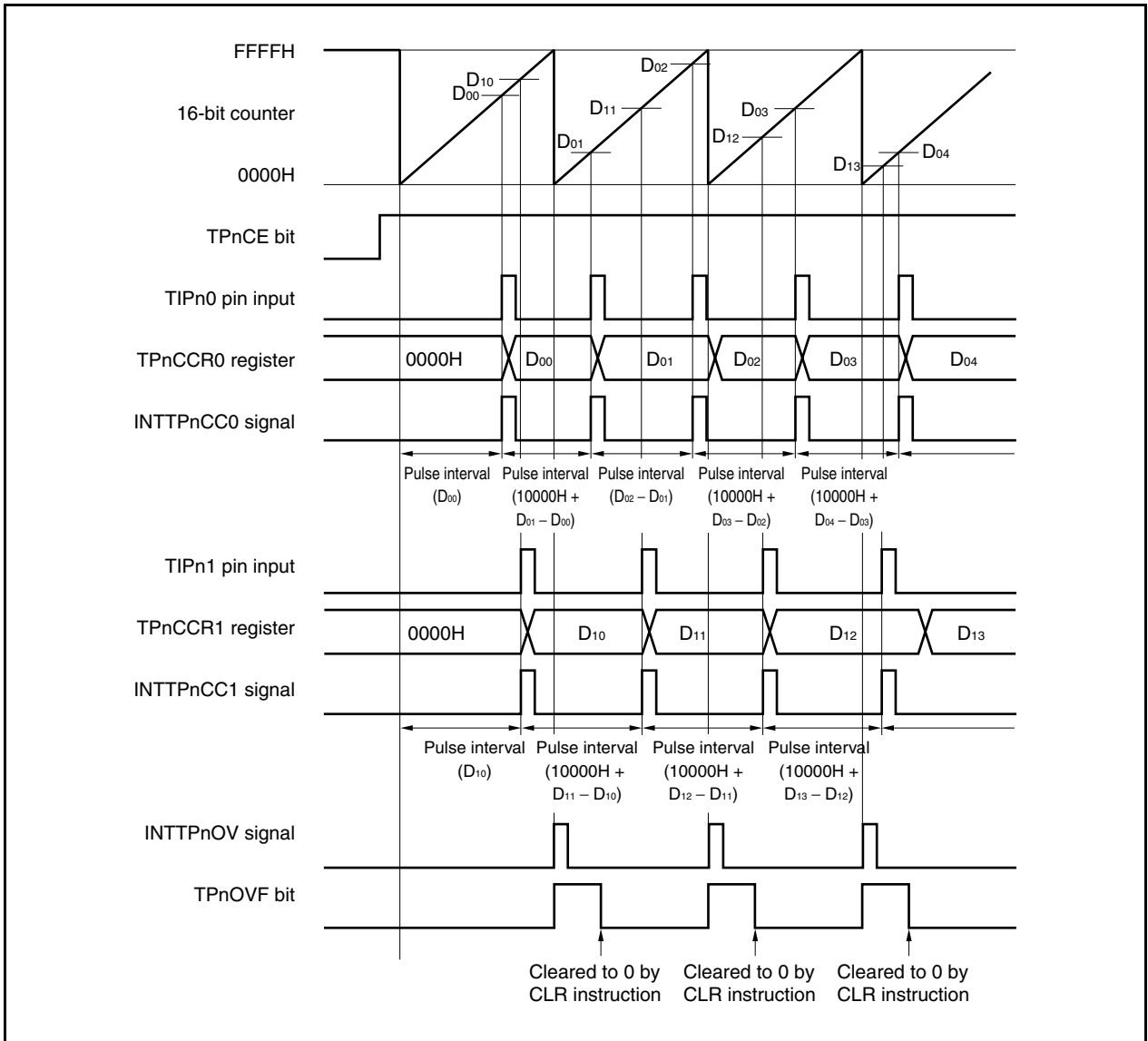
**Remark**  $\mu$ PD703249Y and 703252Y:  $n = 0$  to 4,  $m = 0$  or 1

$\mu$ PD703253Y:  $n = 0$  to 5,  $m = 0$  or 1

<R>

**(b) Pulse width measurement with capture register**

When pulse width measurement is performed with the TPnCCRm register used as a capture register, software processing is necessary for reading the capture register each time the INTTPnCCm signal has been detected and for calculating an interval.



When executing pulse width measurement in the free-running timer mode, two pulse widths can be measured with one channel.

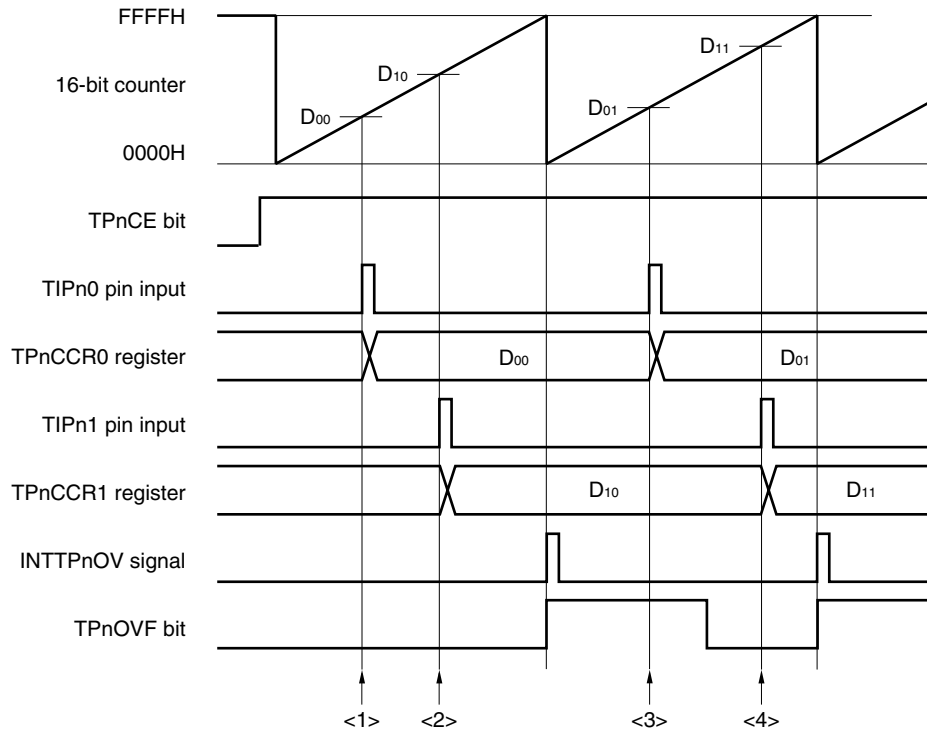
To measure a pulse width, the pulse width can be calculated by reading the value of the TPnCCRm register in synchronization with the INTTPnCCm signal, and calculating the difference between the read value and the previously read value.

**Remark**  $\mu$ PD703249Y and 703252Y: n = 0 to 4, m = 0 or 1  
 $\mu$ PD703253Y: n = 0 to 5, m = 0 or 1

<R>

**(c) Processing of overflow when two capture registers are used**

Care must be exercised in processing the overflow flag when two capture registers are used. First, an example of incorrect processing is shown below.

**Example of incorrect processing when two capture registers are used**

The following problem may occur when two pulse widths are measured in the free-running timer mode.

- <1> Read the TPnCCR0 register (setting of the default value of the TIPn0 pin input).
- <2> Read the TPnCCR1 register (setting of the default value of the TIPn1 pin input).
- <3> Read the TPnCCR0 register.  
Read the overflow flag. If the overflow flag is 1, clear it to 0.  
Because the overflow flag is 1, the pulse width can be calculated by  $(10000H + D_{01} - D_{00})$ .
- <4> Read the TPnCCR1 register.  
Read the overflow flag. Because the flag is cleared in <3>, 0 is read.  
Because the overflow flag is 0, the pulse width can be calculated by  $(D_{11} - D_{10})$  (incorrect).

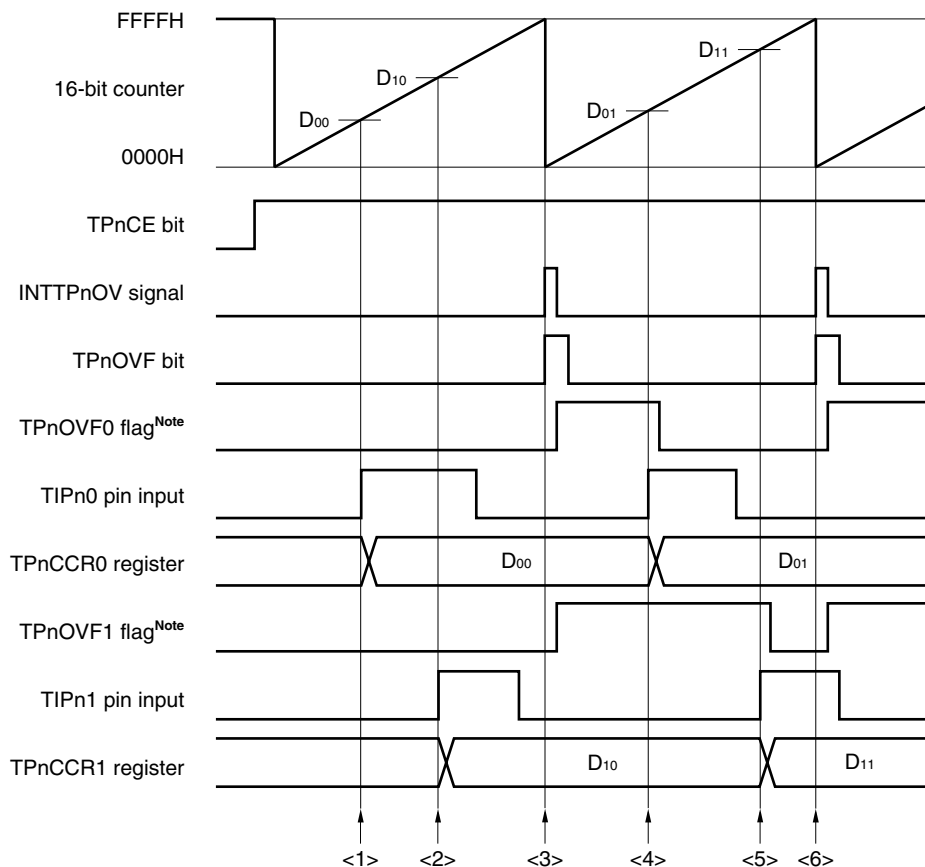
**Remark**  $\mu$ PD703249Y and 703252Y: n = 0 to 4  
 $\mu$ PD703253Y: n = 0 to 5

<R>

When two capture registers are used, and if the overflow flag is cleared to 0 by one capture register, the other capture register may not obtain the correct pulse width.

Use software when using two capture registers. An example of how to use software is shown below.

### Example when two capture registers are used (using overflow interrupt)



**Note** The TPnOVF0 and TPnOVF1 flags are set on the internal RAM by software.

<1> Read the TPnCCR0 register (setting of the default value of the TIPn0 pin input).

<2> Read the TPnCCR1 register (setting of the default value of the TIPn1 pin input).

<3> An overflow occurs. Set the TPnOVF0 and TPnOVF1 flags to 1 in the overflow interrupt servicing, and clear the overflow flag to 0.

<4> Read the TPnCCR0 register.

Read the TPnOVF0 flag. If the TPnOVF0 flag is 1, clear it to 0.

Because the TPnOVF0 flag is 1, the pulse width can be calculated by  $(10000H + D_{01} - D_{00})$ .

<5> Read the TPnCCR1 register.

Read the TPnOVF1 flag. If the TPnOVF1 flag is 1, clear it to 0 (the TPnOVF0 flag is cleared in <4>, and the TPnOVF1 flag remains 1).

Because the TPnOVF1 flag is 1, the pulse width can be calculated by  $(10000H + D_{11} - D_{10})$  (correct).

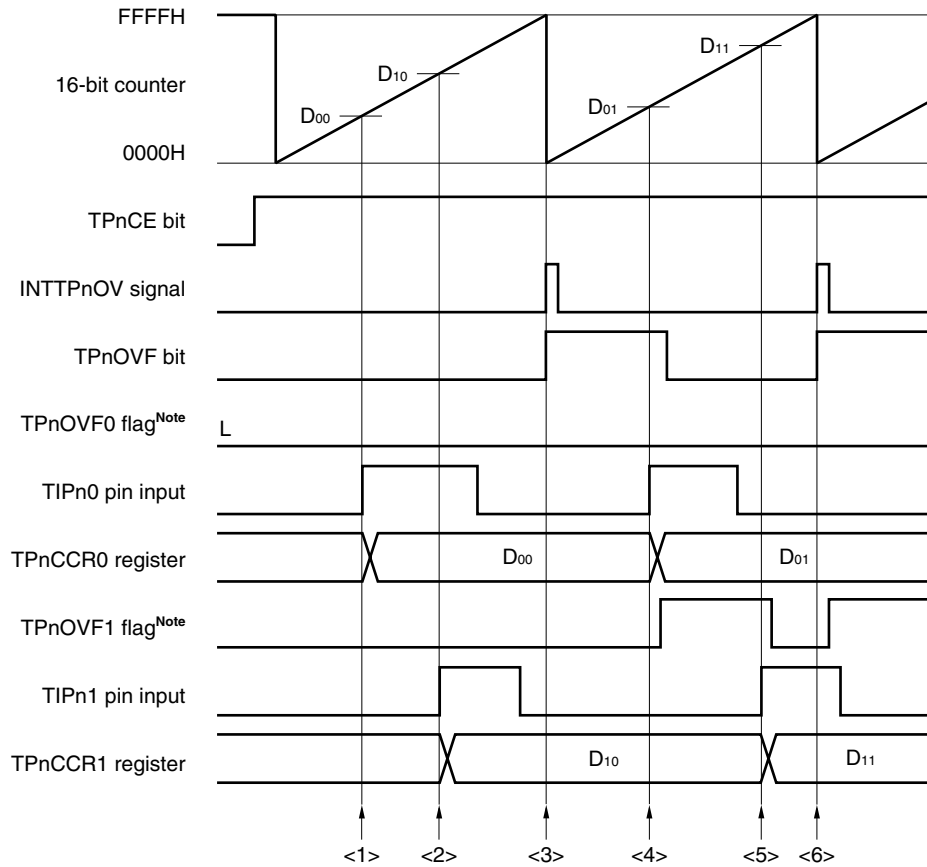
<6> Same as <3>

**Remark**  $\mu$ PD703249Y and 703252Y:  $n = 0$  to 4

$\mu$ PD703253Y:  $n = 0$  to 5

<R>

### Example when two capture registers are used (without using overflow interrupt)



**Note** The TPnOVF0 and TPnOVF1 flags are set on the internal RAM by software.

<1> Read the TPnCCR0 register (setting of the default value of the TIPn0 pin input).

<2> Read the TPnCCR1 register (setting of the default value of the TIPn1 pin input).

<3> An overflow occurs. Nothing is done by software.

<4> Read the TPnCCR0 register.

Read the overflow flag. If the overflow flag is 1, set only the TPnOVF1 flag to 1, and clear the overflow flag to 0.

Because the overflow flag is 1, the pulse width can be calculated by  $(10000H + D_{01} - D_{00})$ .

<5> Read the TPnCCR1 register.

Read the overflow flag. Because the overflow flag is cleared in <4>, 0 is read.

Read the TPnOVF1 flag. If the TPnOVF1 flag is 1, clear it to 0.

Because the TPnOVF1 flag is 1, the pulse width can be calculated by  $(10000H + D_{11} - D_{10})$  (correct).

<6> Same as <3>

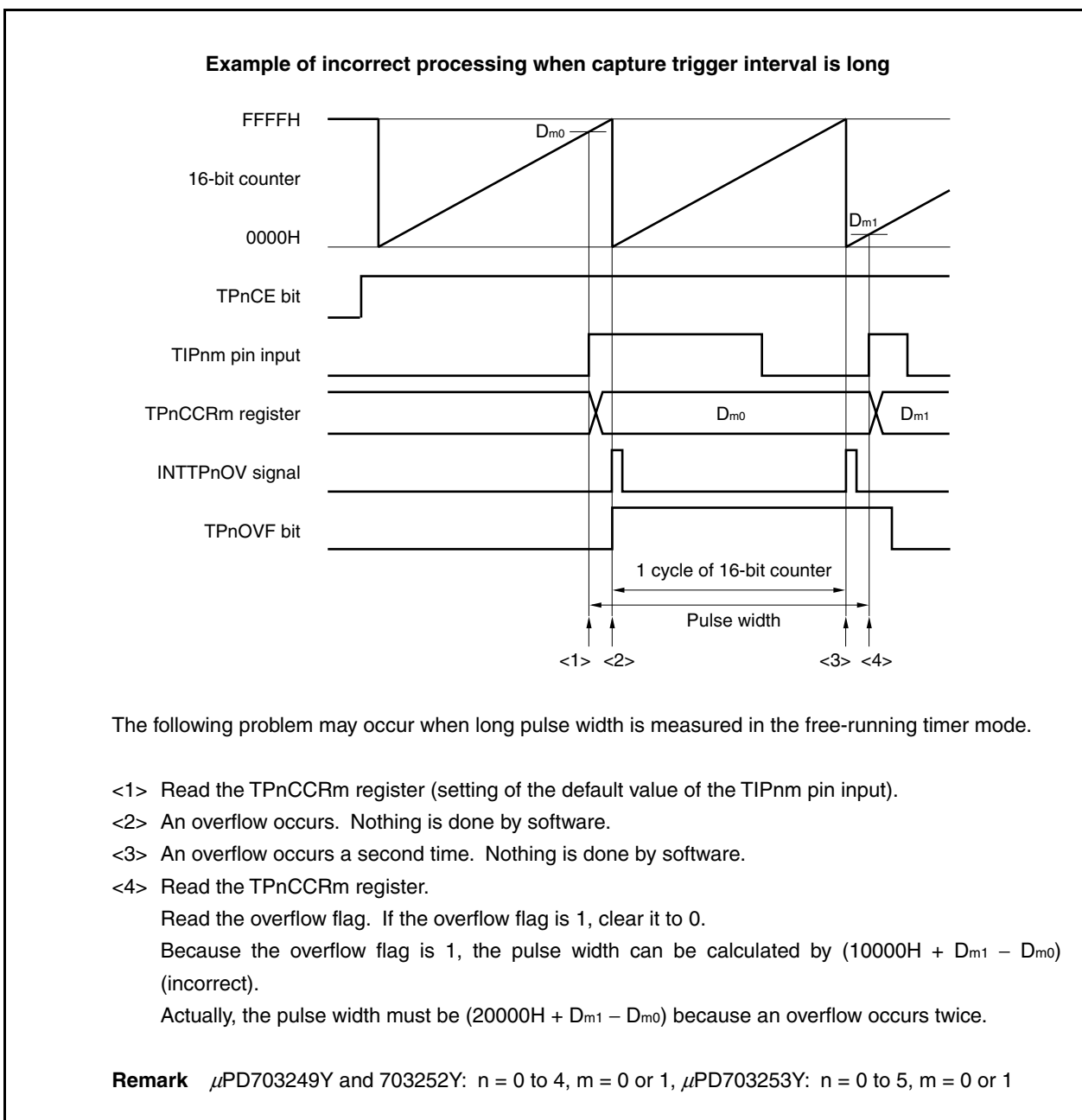
**Remark**  $\mu$ PD703249Y and 703252Y:  $n = 0$  to 4

$\mu$ PD703253Y:  $n = 0$  to 5

<R>

**(d) Processing of overflow if capture trigger interval is long**

If the pulse width is greater than one cycle of the 16-bit counter, care must be exercised because an overflow may occur more than once from the first capture trigger to the next. First, an example of incorrect processing is shown below.

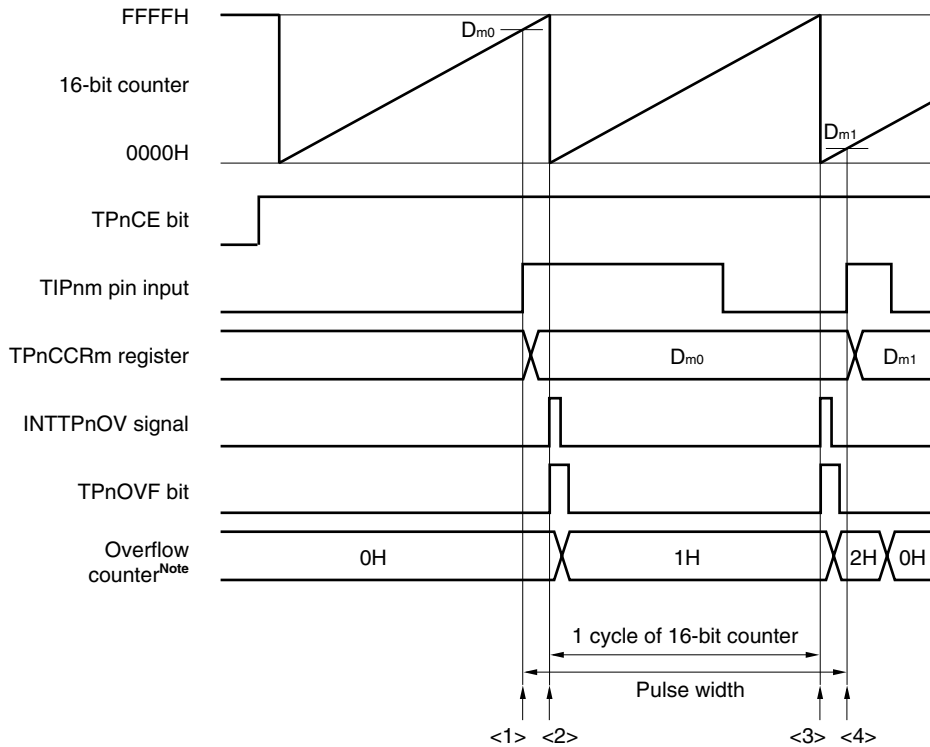


&lt;R&gt;

If an overflow occurs twice or more when the capture trigger interval is long, the correct pulse width may not be obtained.

If the capture trigger interval is long, slow the count clock to lengthen one cycle of the 16-bit counter, or use software. An example of how to use software is shown next.

## Example when capture trigger interval is long



**Note** The overflow counter is set arbitrarily by software on the internal RAM.

- <1> Read the TPnCCRm register (setting of the default value of the TIPnm pin input).
- <2> An overflow occurs. Increment the overflow counter and clear the overflow flag to 0 in the overflow interrupt servicing.
- <3> An overflow occurs a second time. Increment (+1) the overflow counter and clear the overflow flag to 0 in the overflow interrupt servicing.
- <4> Read the TPnCCRm register.  
Read the overflow counter.  
→ When the overflow counter is “N”, the pulse width can be calculated by  $(N \times 10000H + D_{m1} - D_{m0})$ .  
In this example, the pulse width is  $(20000H + D_{m1} - D_{m0})$  because an overflow occurs twice.  
Clear the overflow counter (0H).

**Remark**  $\mu$ PD703249Y and 703252Y:  $n = 0$  to 4,  $m = 0$  or 1  
 $\mu$ PD703253Y:  $n = 0$  to 5,  $m = 0$  or 1

&lt;R&gt;



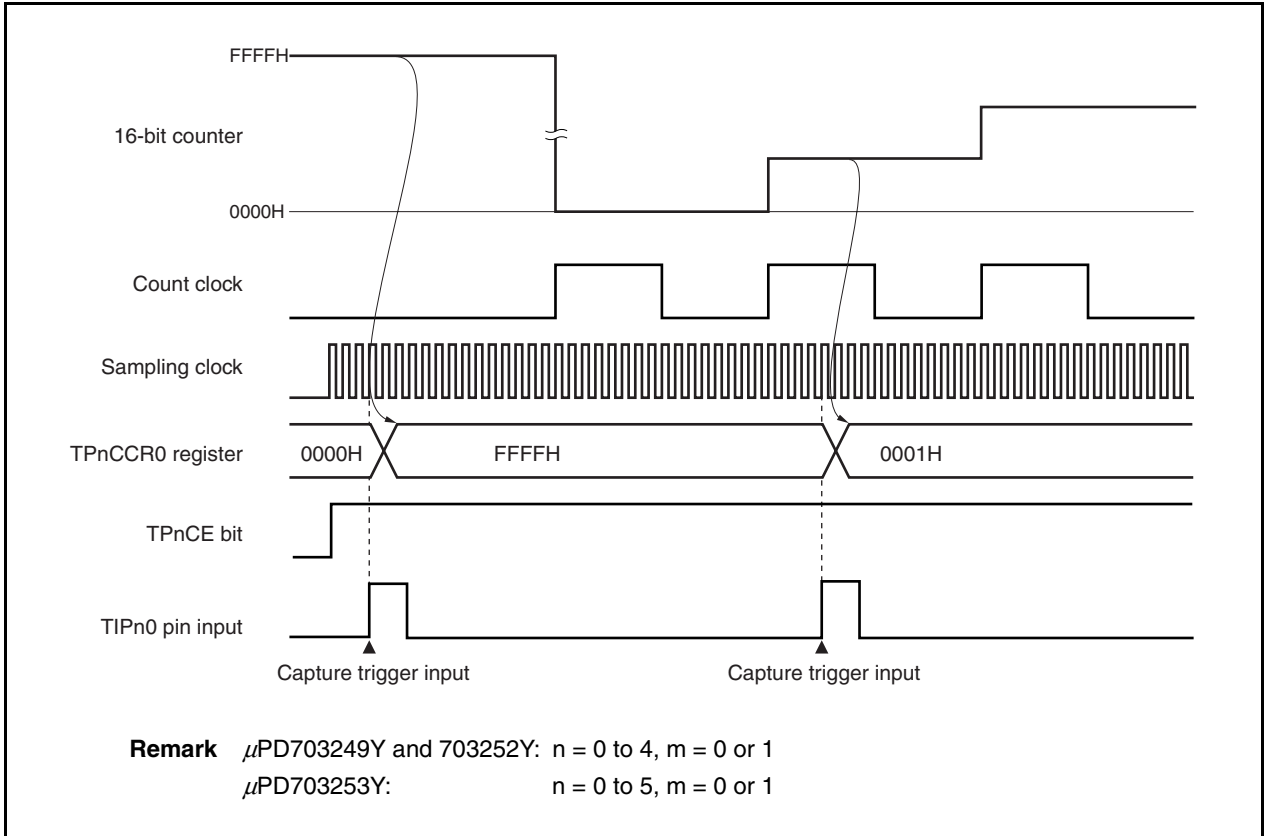
**(e) Clearing overflow flag**

The overflow flag can be cleared to 0 by clearing the TPnOVF bit to 0 with the CLR instruction after reading the TPnOVF bit when it is 1 and by writing 8-bit data (bit 0 is 0) to the TPnOPT0 register after reading the TPnOVF bit when it is 1.

<R>

**(3) Note on capture operation**

If the capture operation is used and if a slow clock is selected as the count clock, FFFFH, not 0000H, may be captured to the TPnCCRm register if the capture trigger is input immediately after the TPnCTL0.TPnCE bit is set to 1.



### 7.6.7 Pulse width measurement mode (TPnMD2 to TPnMD0 bits = 110)

In the pulse width measurement mode, 16-bit timer/event counter P starts counting when the TPnCTL0.TPnCE bit is set to 1. Each time the valid edge input to the TIPnm pin has been detected, the count value of the 16-bit counter is stored in the TPnCCRm register, and the 16-bit counter is cleared to 0000H.

The interval of the valid edge can be measured by reading the TPnCCRm register after a capture interrupt request signal (INTTPnCCm) occurs.

For example, in case of Figure 7-39, select either the TIPn0 or TIPn1 pin as the capture trigger input pin, and specify “No edge detected” by using the TPnIOC1 register for the unused pins.

&lt;R&gt;

**Figure 7-38. Configuration in Pulse Width Measurement Mode**

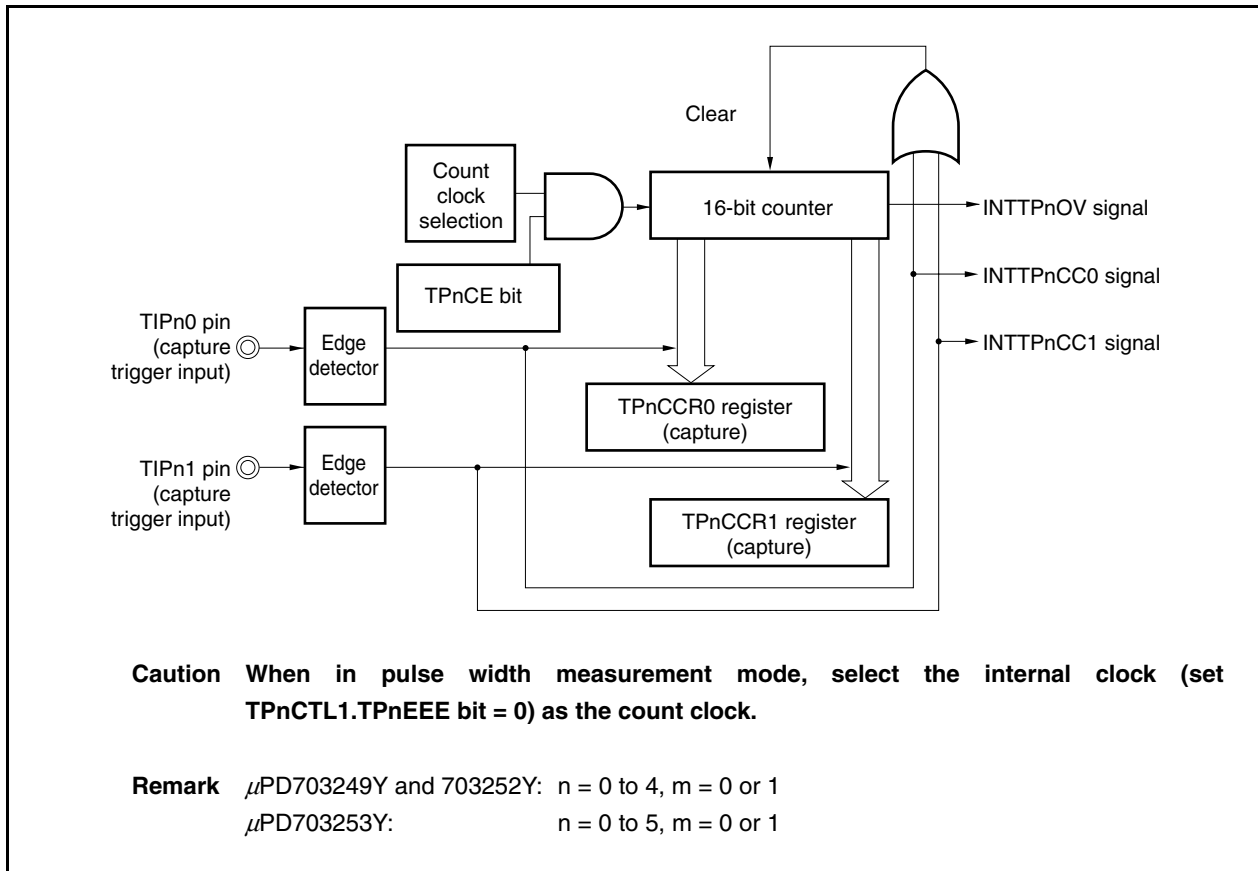
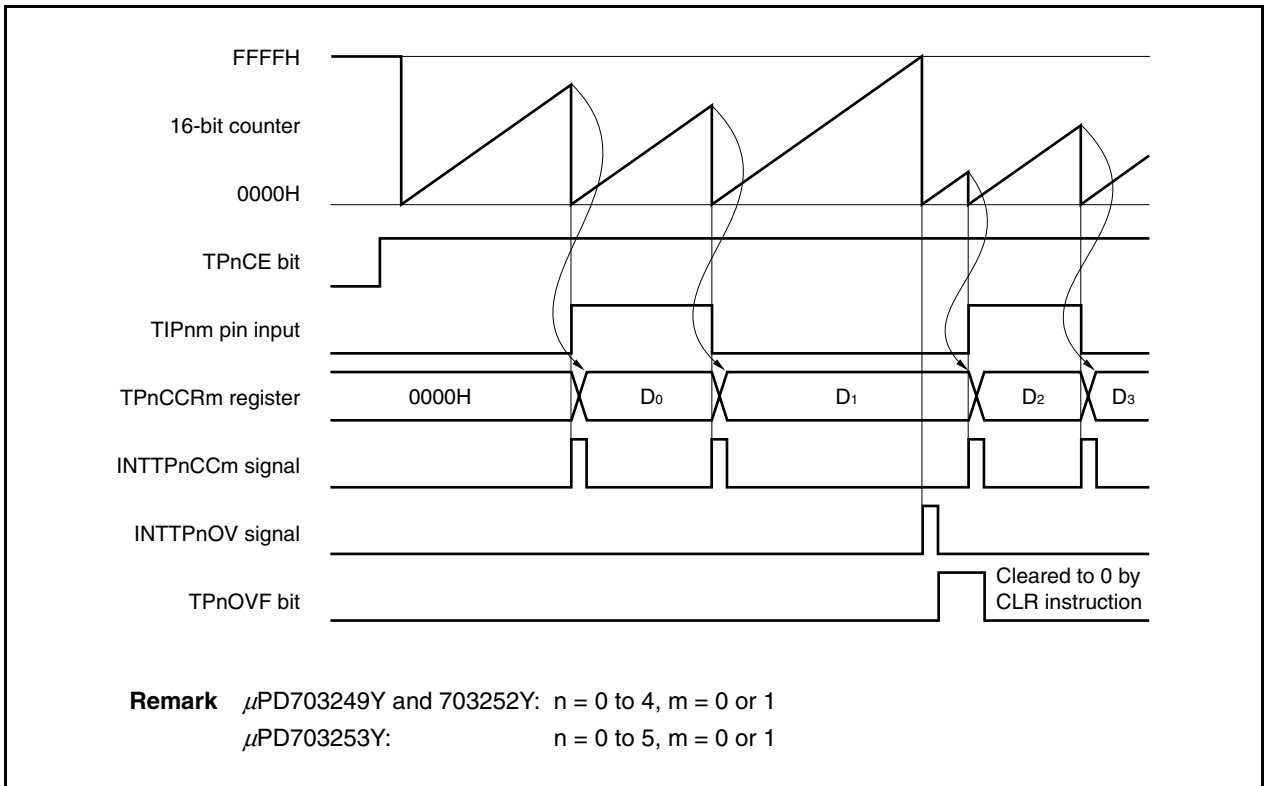


Figure 7-39. Basic Timing in Pulse Width Measurement Mode



When the TPnCE bit is set to 1, the 16-bit counter starts counting. When the valid edge input to the TIPnm pin is later detected, the count value of the 16-bit counter is stored in the TPnCCRm register, the 16-bit counter is cleared to 0000H, and a capture interrupt request signal (INTTPnCCm) is generated.

The pulse width is calculated as follows.

$$\text{Pulse width} = \text{Captured value} \times \text{Count clock cycle}$$

If the valid edge is not input to the TIPnm pin even when the 16-bit counter counted up to FFFFH, an overflow interrupt request signal (INTTPnOV) is generated at the next count clock, and the counter is cleared to 0000H and continues counting. At this time, the overflow flag (TPnOPT0.TPnOVF bit) is also set to 1. Clear the overflow flag to 0 by executing the CLR instruction via software.

If the overflow flag is set to 1, the pulse width can be calculated as follows.

$$\text{Pulse width} = (10000\text{H} \times \text{TPnOVF bit set (1) count} + \text{Captured value}) \times \text{Count clock cycle}$$

**Remark**  $\mu$ PD703249Y and 703252Y: n = 0 to 4, m = 0 or 1  
 $\mu$ PD703253Y: n = 0 to 5, m = 0 or 1

Figure 7-40. Register Setting in Pulse Width Measurement Mode (1/2)

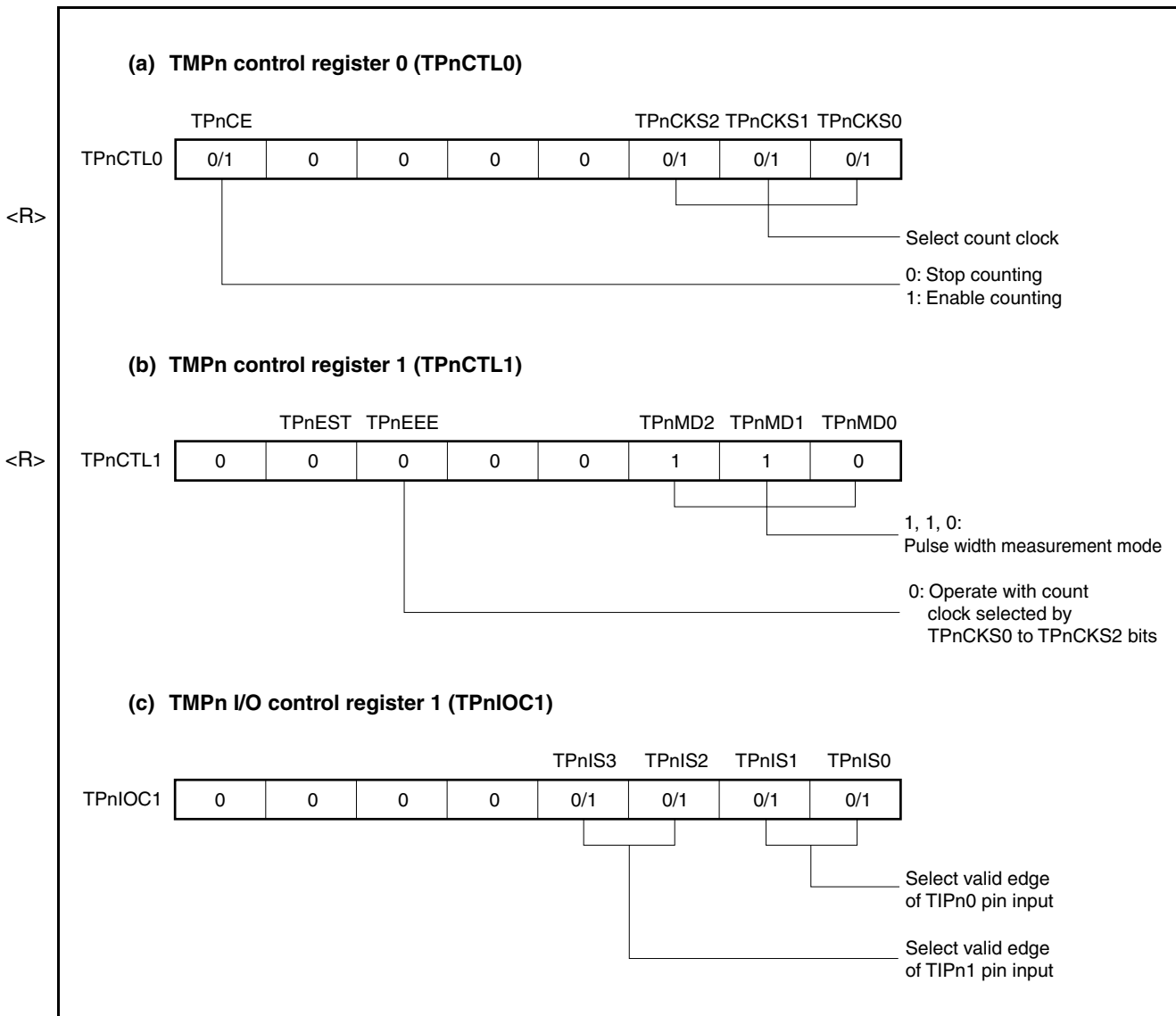
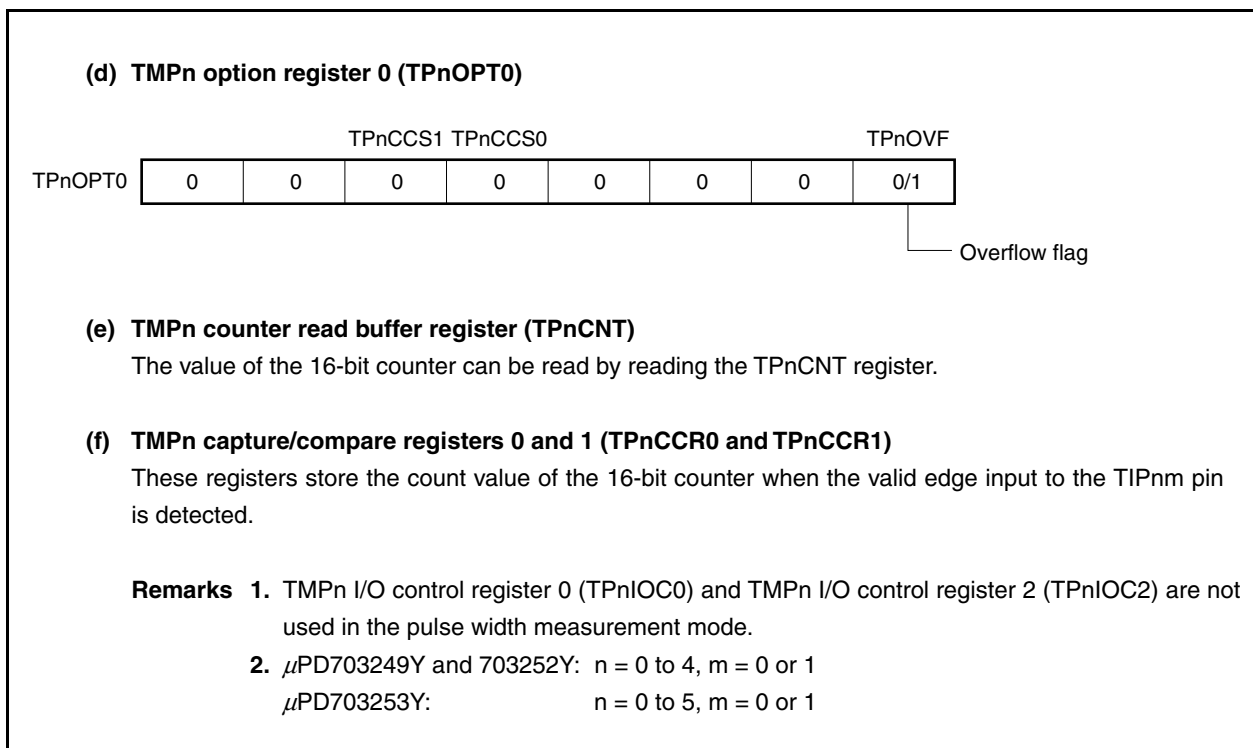


Figure 7-40. Register Setting in Pulse Width Measurement Mode (2/2)

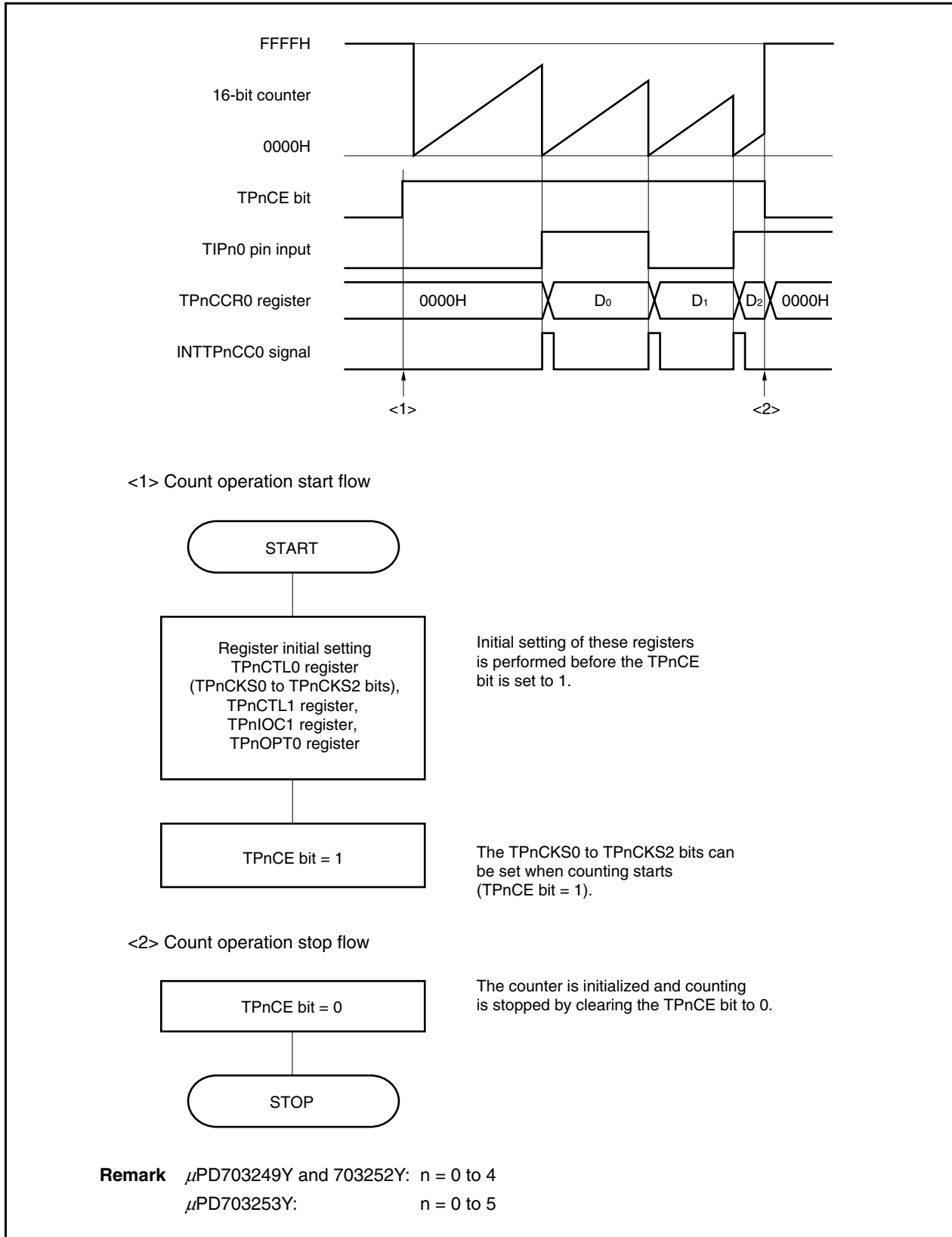


&lt;R&gt;

&lt;R&gt;

(1) Operation flow in pulse width measurement mode

Figure 7-41. Software Processing Flow in Pulse Width Measurement Mode



(2) Operation timing in pulse width measurement mode

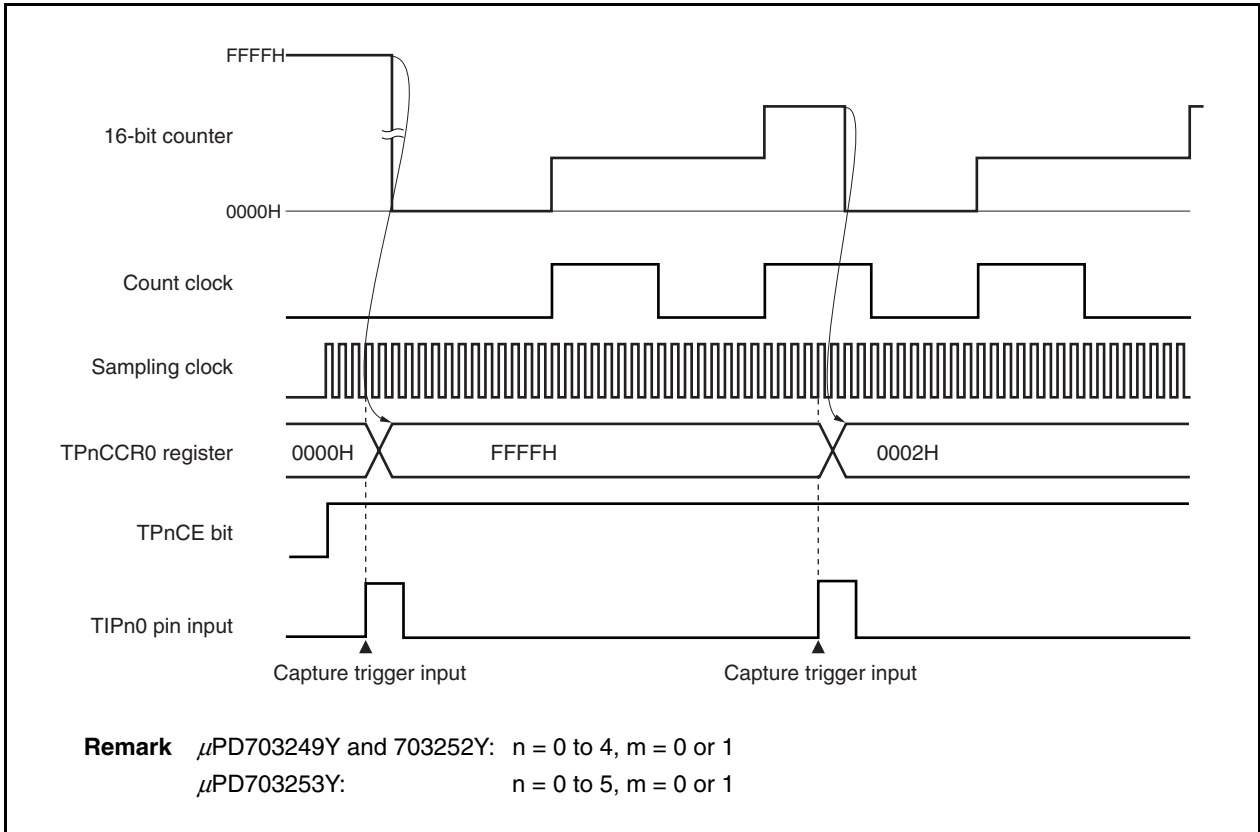
(a) Clearing overflow flag

The overflow flag can be cleared to 0 by clearing the TPnOVF bit to 0 with the CLR instruction after reading the TPnOVF bit when it is 1 and by writing 8-bit data (bit 0 is 0) to the TPnOPT0 register after reading the TPnOVF bit when it is 1.

<R>

(3) Notes

If a slow clock is selected as the count clock, FFFFH, not 0000H, may be captured to the TPnCCRM register if the capture trigger is input immediately after the TPnCTL0.TPnCE bit has been set to 1.



## CHAPTER 8 16-BIT INTERVAL TIMER M (TMM)

Timer M (TMM) is a 16-bit interval timer.  
The V850ES/SG1 incorporates TMM0.

### 8.1 Overview

An outline of TMM0 is shown below.

- Interval function
- 8 clocks selectable
- 16-bit counter × 1  
(The 16-bit counter cannot be read during timer count operation.)
- Compare register × 1  
(The compare register cannot be written during timer counter operation.)
- Compare match interrupt × 1

Timer M supports only the clear & start mode. The free-running timer mode is not supported.



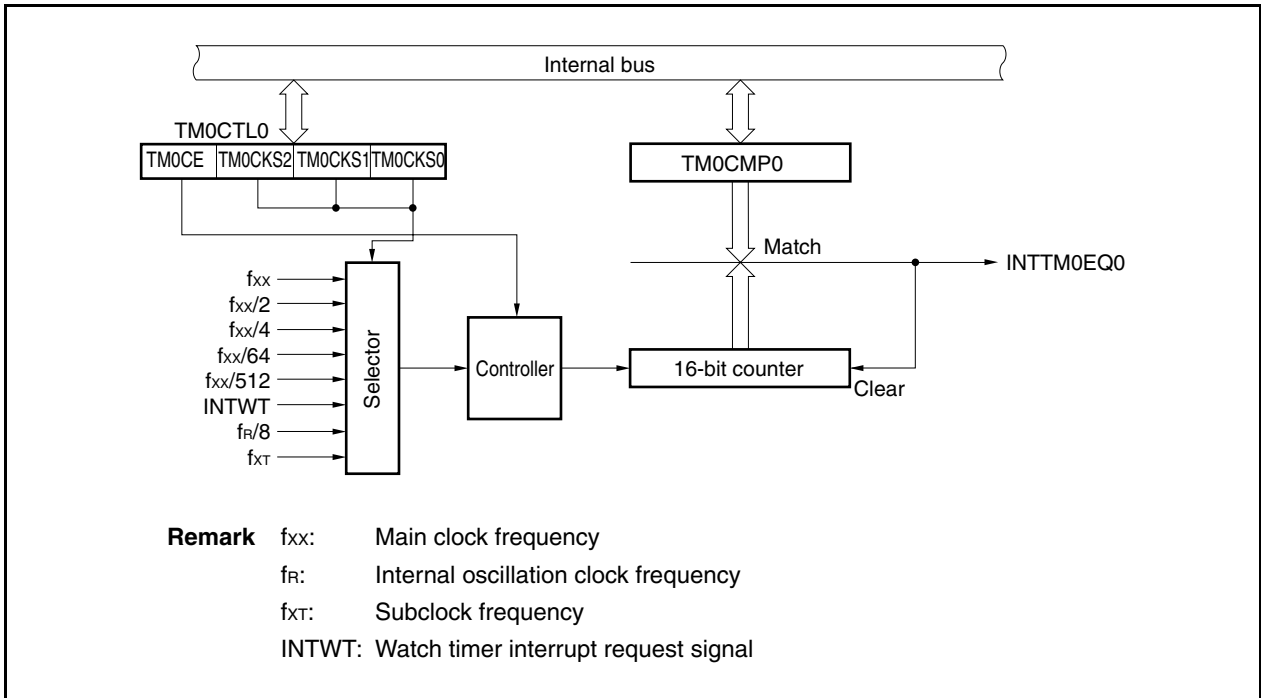
## 8.2 Configuration

TMM0 includes the following hardware.

**Table 8-1. Configuration of TMM0**

| Item             | Configuration                     |
|------------------|-----------------------------------|
| Timer register   | 16-bit counter                    |
| Register         | TMM0 compare register 0 (TM0CMP0) |
| Control register | TMM0 control register 0 (TM0CTL0) |

**Figure 8-1. Block Diagram of TMM0**



**(1) 16-bit counter**

This is a 16-bit counter that counts the internal clock.

The 16-bit counter cannot be read or written.

**(2) TMM0 compare register 0 (TM0CMP0)**

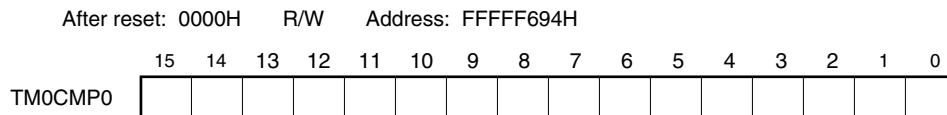
The TM0CMP0 register is a 16-bit compare register.

This register can be read or written in 16-bit units.

Reset sets this register to 0000H.

The same value can always be written to the TM0CMP0 register by software.

TM0CMP0 register rewrite is prohibited during the TMM0 operation (TMOCTL0.TM0CE bit = 1).



**Caution** Do not set the TM0CMP0 register to FFFFH.

### 8.3 Register

#### (1) TMM0 control register (TM0CTL0)

The TM0CTL0 register is an 8-bit register that controls the TMM0 operation.

This register can be read or written in 8-bit or 1-bit units.

Reset sets this register to 00H.

The same value can always be written to the TM0CTL0 register by software.

After reset: 00H    R/W    Address: FFFFF690H

|         |       |   |   |   |   |         |         |         |
|---------|-------|---|---|---|---|---------|---------|---------|
|         | <7>   | 6 | 5 | 4 | 3 | 2       | 1       | 0       |
| TM0CTL0 | TM0CE | 0 | 0 | 0 | 0 | TM0CKS2 | TM0CKS1 | TM0CKS0 |

|                                                                                                                                                                                                                                                             |                                                                                                     |
|-------------------------------------------------------------------------------------------------------------------------------------------------------------------------------------------------------------------------------------------------------------|-----------------------------------------------------------------------------------------------------|
| TM0CE                                                                                                                                                                                                                                                       | Internal clock operation enable/disable specification                                               |
| 0                                                                                                                                                                                                                                                           | TMM0 operation disabled (16-bit counter reset asynchronously). Operation clock application stopped. |
| 1                                                                                                                                                                                                                                                           | TMM0 operation enabled. Operation clock application started. TMM0 operation started.                |
| The internal clock control and internal circuit reset for TMM0 are performed asynchronously with the TM0CE bit. When the TM0CE bit is cleared to 0, the internal clock of TMM0 is disabled (fixed to low level) and 16-bit counter is reset asynchronously. |                                                                                                     |

|         |         |         |                       |
|---------|---------|---------|-----------------------|
| TM0CKS2 | TM0CKS1 | TM0CKS0 | Count clock selection |
| 0       | 0       | 0       | $f_{xx}$              |
| 0       | 0       | 1       | $f_{xx}/2$            |
| 0       | 1       | 0       | $f_{xx}/4$            |
| 0       | 1       | 1       | $f_{xx}/64$           |
| 1       | 0       | 0       | $f_{xx}/512$          |
| 1       | 0       | 1       | INTWT                 |
| 1       | 1       | 0       | $f_R/8$               |
| 1       | 1       | 1       | $f_{XT}$              |

**Cautions 1. Set the TM0CKS2 to TM0CKS0 bits when TM0CE bit = 0.**

**When changing the value of TM0CE from 0 to 1, it is not possible to set the value of the TM0CKS2 to TM0CKS0 bits simultaneously.**

**2. Be sure to clear bits 3 to 6 to "0".**

**Remark**  $f_{xx}$ : Main clock frequency  
 $f_R$ : Internal oscillation clock frequency  
 $f_{XT}$ : Subclock frequency

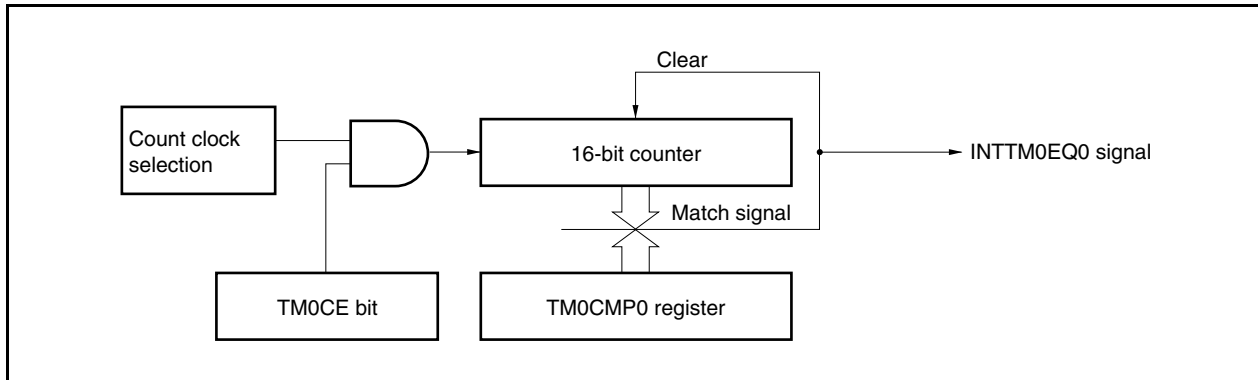
## 8.4 Operation

**Caution** Do not set the TM0CMP0 register to FFFFH.

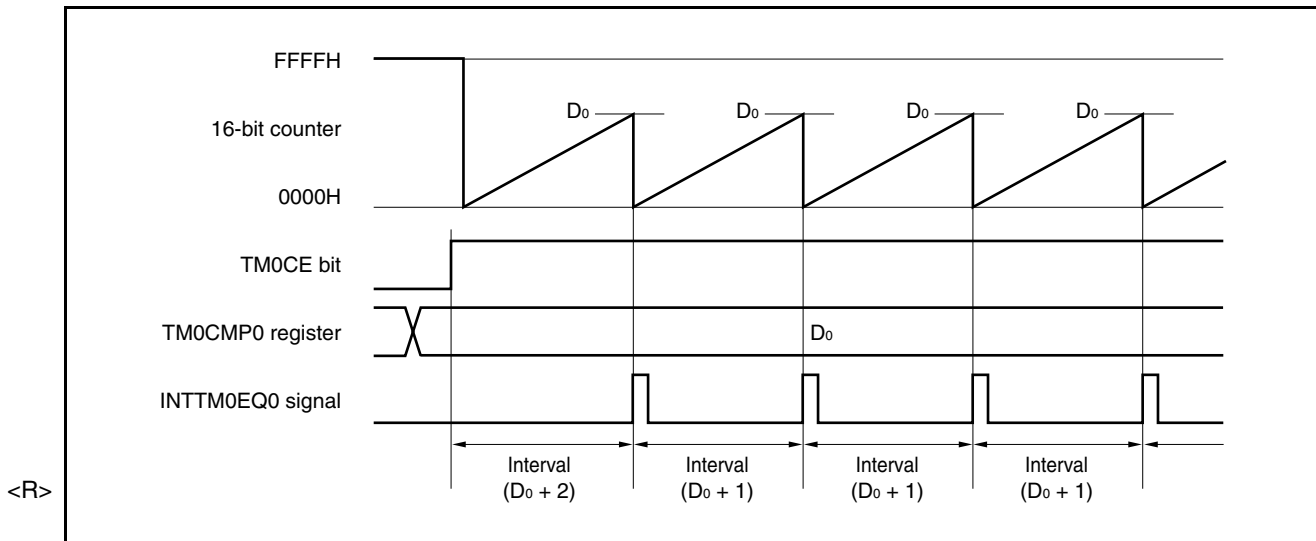
### 8.4.1 Interval timer mode

In the interval timer mode, an interrupt request signal (INTTM0EQ0) is generated at the interval set by the TM0CMP0 register if the TM0CTL0.TM0CE bit is set to 1.

**Figure 8-2. Configuration of Interval Timer**



**Figure 8-3. Basic Timing of Operation in Interval Timer Mode**



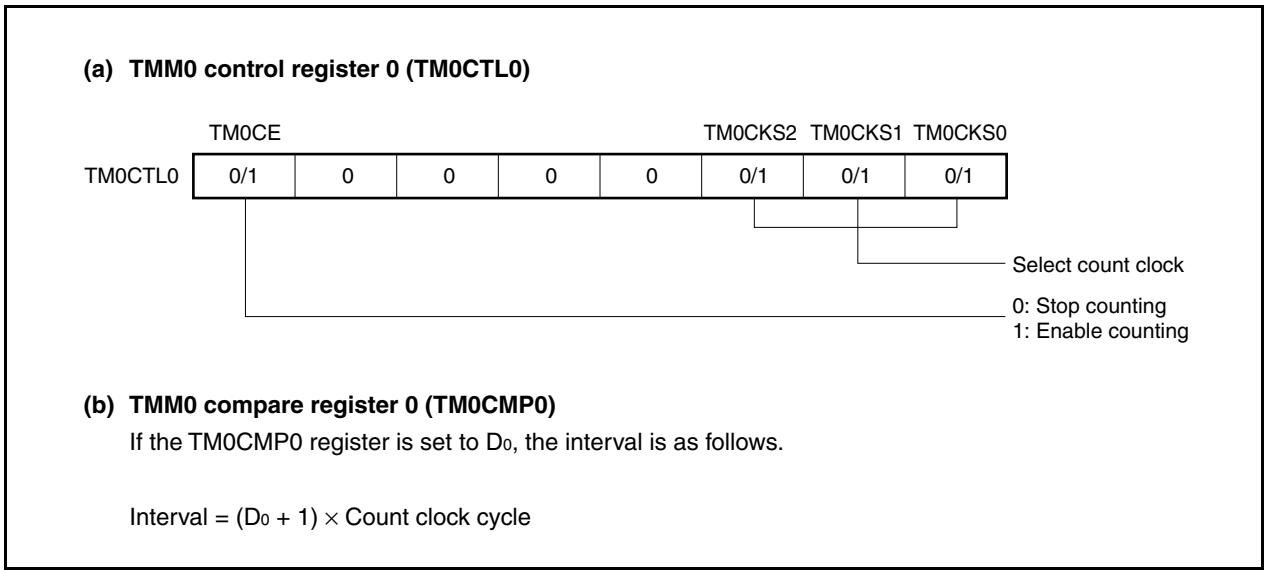
When the TM0CE bit is set to 1, the value of the 16-bit counter is cleared from FFFFH to 0000H in synchronization with the count clock, and the counter starts counting.

When the count value of the 16-bit counter matches the value of the TM0CMP0 register, the 16-bit counter is cleared to 0000H and a compare match interrupt request signal (INTTM0EQ0) is generated.

The interval can be calculated by the following expression.

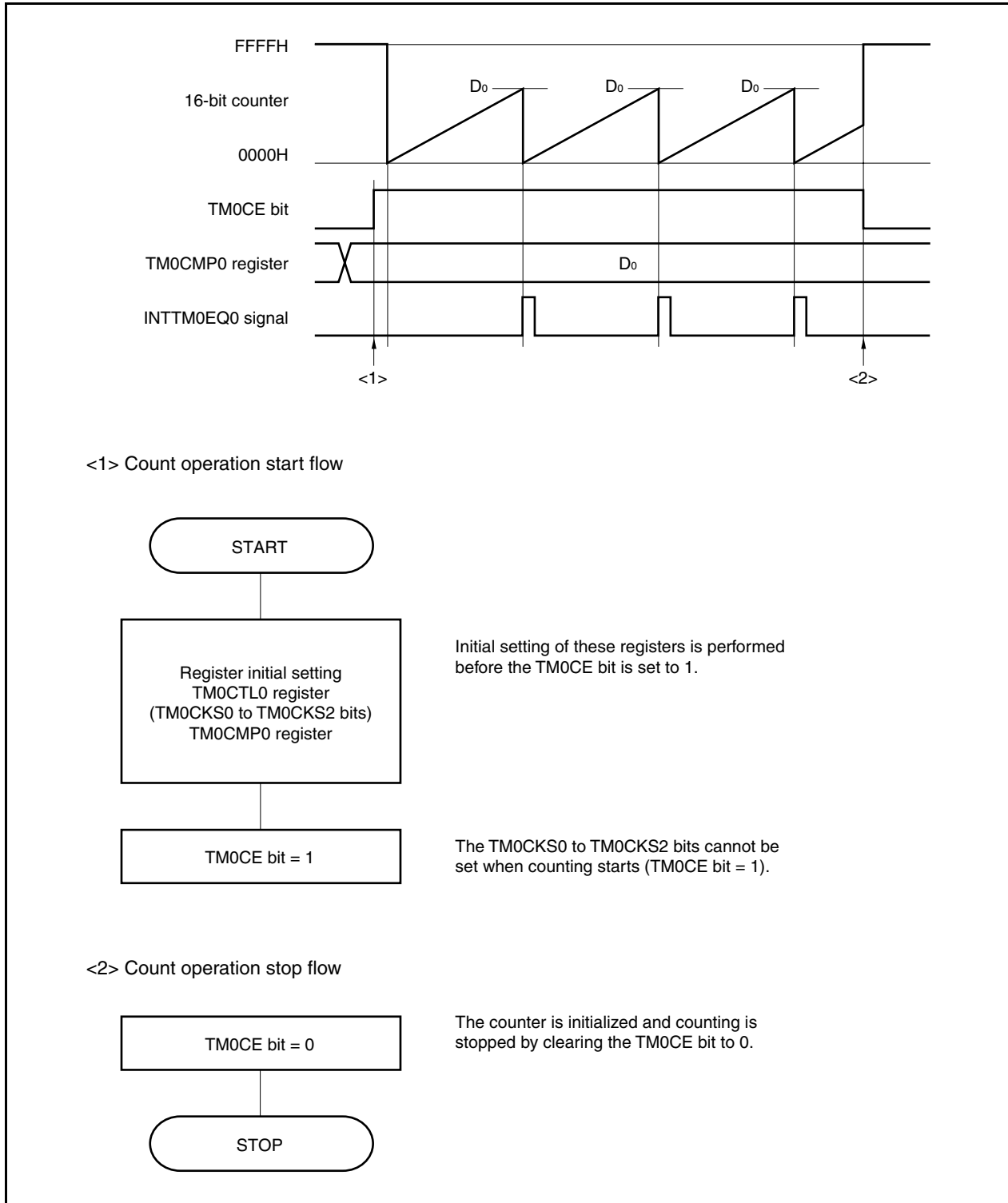
$$\text{Interval} = (\text{Set value of TM0CMP0 register} + 1) \times \text{Count clock cycle}$$

Figure 8-4. Register Setting for Interval Timer Mode Operation



(1) Interval timer mode operation flow

Figure 8-5. Software Processing Flow in Interval Timer Mode



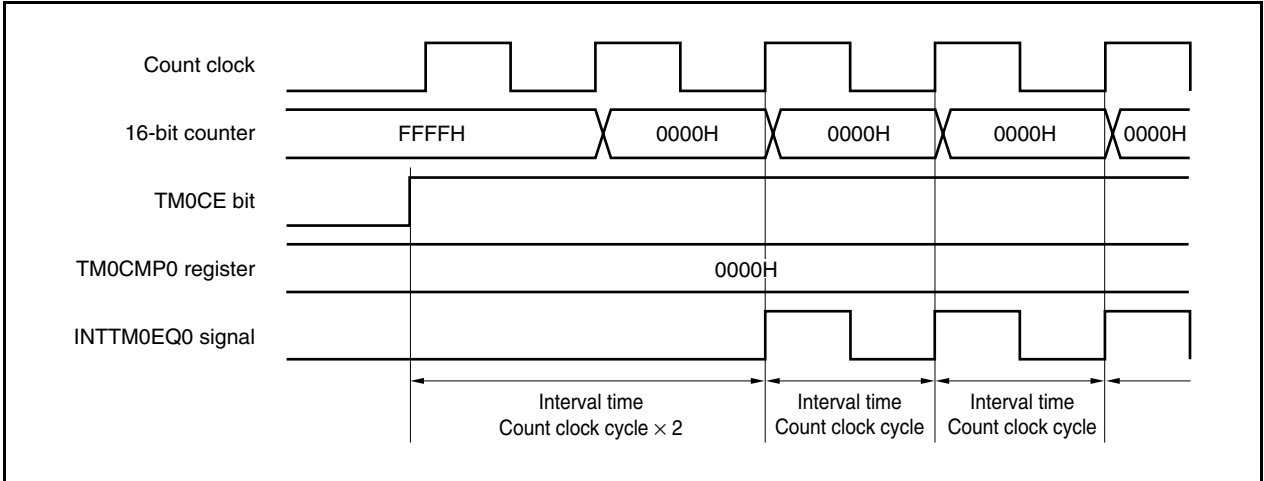
(2) Interval timer mode operation timing

**Caution** Do not set the TM0CMP0 register to FFFFH.

<R>

(a) Operation if TM0CMP0 register is set to 0000H

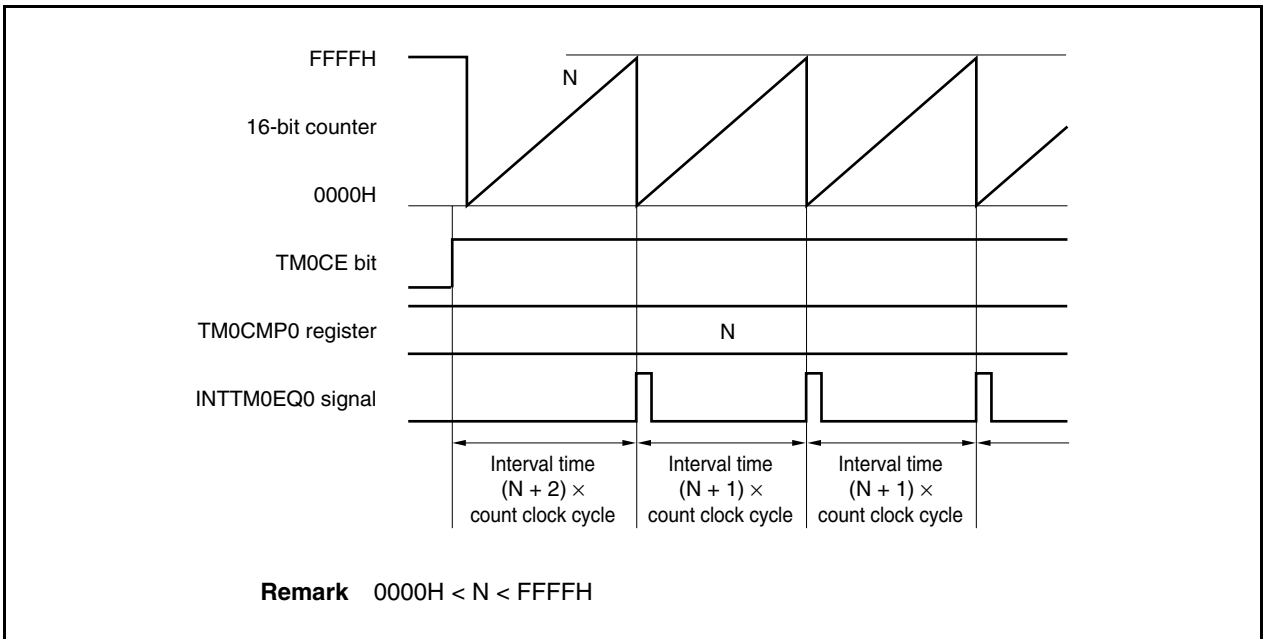
If the TM0CMP0 register is set to 0000H, the INTTM0EQ0 signal is generated at each count clock. The value of the 16-bit counter is always 0000H.



(b) Operation if TM0CMP0 register is set to N

If the TM0CMP0 register is set to N, the 16-bit counter counts up to N. The counter is cleared to 0000H in synchronization with the next count-up timing and the INTTM0EQ0 signal is generated.

<R>



**Remark** 0000H < N < FFFFH

## 8.4.2 Cautions

- (1) It takes the 16-bit counter up to the following time to start counting after the TM0CTL0.TM0CE bit is set to 1, depending on the count clock selected.

| Selected Count Clock | Maximum Time Before Counting Start |
|----------------------|------------------------------------|
| $f_{xx}$             | $2/f_{xx}$                         |
| $f_{xx}/2$           | $6/f_{xx}$                         |
| $f_{xx}/4$           | $24/f_{xx}$                        |
| $f_{xx}/64$          | $128/f_{xx}$                       |
| $f_{xx}/512$         | $1024/f_{xx}$                      |
| INTWT                | Second rising edge of INTWT signal |
| $f_R/8$              | $16/f_R$                           |
| $f_{XT}$             | $2/f_{XT}$                         |

- (2) Rewriting the TM0CMP0 and TM0CTL0 registers is prohibited while TMM0 is operating. If these registers are rewritten while the TM0CE bit is 1, the operation cannot be guaranteed. If they are rewritten by mistake, clear the TM0CTL0.TM0CE bit to 0, and re-set the registers.

- <R> (3) Do not set the TM0CMP0 register to FFFFH.



## CHAPTER 9 WATCH TIMER FUNCTIONS

### 9.1 Functions

The watch timer has the following functions.

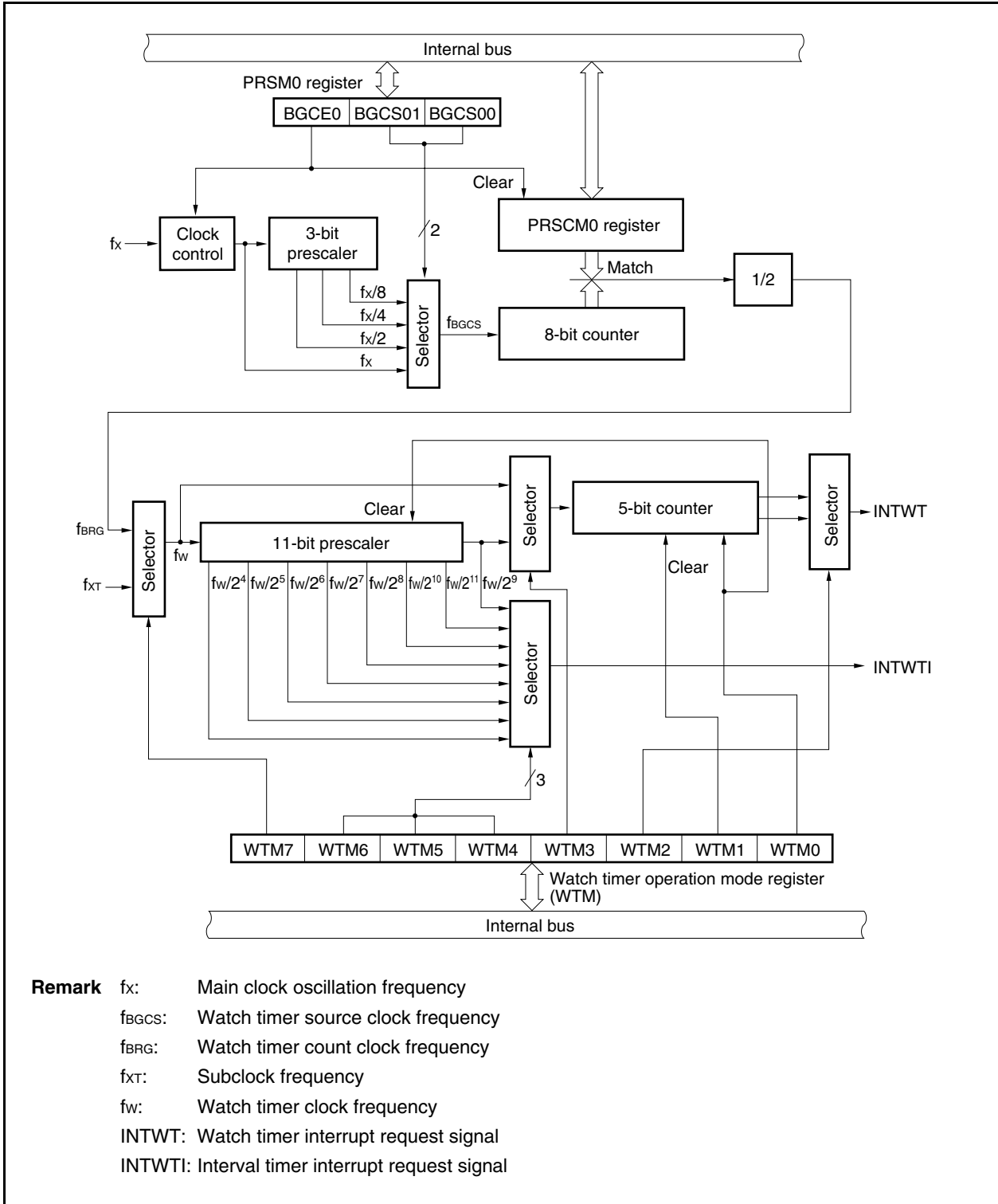
- Watch timer: An interrupt request signal (INTWT) is generated at intervals of 0.5 or 0.25 seconds by using the main clock or subclock.
- Interval timer: An interrupt request signal (INTWTI) is generated at set intervals.

The watch timer and interval timer functions can be used at the same time.

9.2 Configuration

The block diagram of the watch timer is shown below.

Figure 9-1. Block Diagram of Watch Timer



**(1) Clock control**

This block controls supplying and stopping the operating clock ( $f_x$ ) when the watch timer operates on the main clock.

**(2) 3-bit prescaler**

This prescaler divides  $f_x$  to generate  $f_x/2$ ,  $f_x/4$ , or  $f_x/8$ .

**(3) 8-bit counter**

This 8-bit counter counts the source clock ( $f_{BGS}$ ).

**(4) 11-bit prescaler**

This prescaler divides  $f_w$  to generate a clock of  $f_w/2^4$  to  $f_w/2^{11}$ .

**(5) 5-bit counter**

This counter counts  $f_w$  or  $f_w/2^9$ , and generates a watch timer interrupt request signal at intervals of  $2^4/f_w$ ,  $2^5/f_w$ ,  $2^{12}/f_w$ , or  $2^{14}/f_w$ .

**(6) Selector**

The watch timer has the following five selectors.

- Selector that selects one of  $f_x$ ,  $f_x/2$ ,  $f_x/4$ , or  $f_x/8$  as the source clock of the watch timer
- Selector that selects the main clock ( $f_x$ ) or subclock ( $f_{XT}$ ) as the clock of the watch timer
- Selector that selects  $f_w$  or  $f_w/2^9$  as the count clock frequency of the 5-bit counter
- Selector that selects  $2^4/f_w$ ,  $2^9/f_w$ ,  $2^5/f_w$ , or  $2^{14}/f_w$  as the INTWT signal generation time interval
- Selector that selects  $2^4/f_w$  to  $2^{11}/f_w$  as the interval timer interrupt request signal (INTWTI) generation time interval

**(7) PRSCM register**

This is an 8-bit compare register that sets the interval time.

**(8) PRSM register**

This register controls clock supply to the watch timer.

**(9) WTM register**

This is an 8-bit register that controls the operation of the watch timer/interval timer, and sets the interrupt request signal generation interval.

### 9.3 Control Registers

The following registers are provided for the watch timer.

- Prescaler mode register 0 (PRSM0)
- Prescaler compare register 0 (PRSCM0)
- Watch timer operation mode register (WTM)

#### (1) Prescaler mode register 0 (PRSM0)

The PRSM0 register controls the generation of the watch timer count clock.

This register can be read or written in 8-bit or 1-bit units.

Reset sets this register to 00H.

After reset: 00H    R/W    Address: FFFF8B0H

|       |   |   |   |       |   |   |        |        |
|-------|---|---|---|-------|---|---|--------|--------|
|       | 7 | 6 | 5 | <4>   | 3 | 2 | 1      | 0      |
| PRSM0 | 0 | 0 | 0 | BGCE0 | 0 | 0 | BGCS01 | BGCS00 |

|       |                             |
|-------|-----------------------------|
| BGCE0 | Main clock operation enable |
| 0     | Disabled                    |
| 1     | Enabled                     |

|        |        |                                                      |             |           |
|--------|--------|------------------------------------------------------|-------------|-----------|
| BGCS01 | BGCS00 | Selection of watch timer source clock ( $f_{BGCS}$ ) |             |           |
|        |        |                                                      | 5 MHz       | 4 MHz     |
| 0      | 0      | $f_x$                                                | 200 ns      | 250 ns    |
| 0      | 1      | $f_x/2$                                              | 400 ns      | 500 ns    |
| 1      | 0      | $f_x/4$                                              | 800 ns      | 1 $\mu$ s |
| 1      | 1      | $f_x/8$                                              | 1.6 $\mu$ s | 2 $\mu$ s |

- Cautions**
1. Do not change the values of the BGCS00 and BGCS01 bits during watch timer operation.
  2. Set the PRSM0 register before setting the BGCE0 bit to 1.
  3. Set the PRSM0 and PRSCM0 registers according to the main clock frequency that is used so as to obtain an  $f_{BRG}$  frequency of 32.768 kHz.

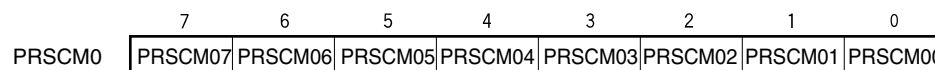
**(2) Prescaler compare register 0 (PRSCM0)**

The PRSCM0 register is an 8-bit compare register.

This register can be read or written in 8-bit units.

Reset sets this register to 00H.

After reset: 00H    R/W    Address: FFFF8B1H



- Cautions**
1. Do not rewrite the PRSCM0 register during watch timer operation.
  2. Set the PRSCM0 register before setting the PRSM0.BGCE0 bit to 1.
  3. Set the PRSM0 and PRSCM0 registers according to the main clock frequency that is used so as to obtain an  $f_{BRG}$  frequency of 32.768 kHz.

The calculation for  $f_{BRG}$  is shown below.

$$f_{BRG} = f_{BGCS}/2N$$

- Remark**  $f_{BGCS}$ : Watch timer source clock set by the PRSM0 register
- N: Set value of the PRSCM0 register = 1 to 256  
 However, N = 256 when the PRSCM0 register is set to 00H.

**(3) Watch timer operation mode register (WTM)**

The WTM register enables or disables the count clock and operation of the watch timer, sets the interval time of the prescaler, controls the operation of the 5-bit counter, and sets the set time of the watch flag.

Set the PRSM0 register before setting the WTM register.

This register can be read or written in 8-bit or 1-bit units.

Reset sets this register to 00H.

(1/2)

After reset: 00H    R/W    Address: FFFFF680H

|      |      |      |      |      |      |      |      |
|------|------|------|------|------|------|------|------|
| 7    | 6    | 5    | 4    | 3    | 2    | <1>  | <0>  |
| WTM7 | WTM6 | WTM5 | WTM4 | WTM3 | WTM2 | WTM1 | WTM0 |

| WTM7 | WTM6 | WTM5 | WTM4 | Selection of interval time of prescaler   |
|------|------|------|------|-------------------------------------------|
| 0    | 0    | 0    | 0    | $2^4/f_w$ (488 $\mu$ s: $f_w = f_{XT}$ )  |
| 0    | 0    | 0    | 1    | $2^5/f_w$ (977 $\mu$ s: $f_w = f_{XT}$ )  |
| 0    | 0    | 1    | 0    | $2^6/f_w$ (1.95 ms: $f_w = f_{XT}$ )      |
| 0    | 0    | 1    | 1    | $2^7/f_w$ (3.91 ms: $f_w = f_{XT}$ )      |
| 0    | 1    | 0    | 0    | $2^8/f_w$ (7.81 ms: $f_w = f_{XT}$ )      |
| 0    | 1    | 0    | 1    | $2^9/f_w$ (15.6 ms: $f_w = f_{XT}$ )      |
| 0    | 1    | 1    | 0    | $2^{10}/f_w$ (31.3 ms: $f_w = f_{XT}$ )   |
| 0    | 1    | 1    | 1    | $2^{11}/f_w$ (62.5 ms: $f_w = f_{XT}$ )   |
| 1    | 0    | 0    | 0    | $2^4/f_w$ (488 $\mu$ s: $f_w = f_{BRG}$ ) |
| 1    | 0    | 0    | 1    | $2^5/f_w$ (977 $\mu$ s: $f_w = f_{BRG}$ ) |
| 1    | 0    | 1    | 0    | $2^6/f_w$ (1.95 ms: $f_w = f_{BRG}$ )     |
| 1    | 0    | 1    | 1    | $2^7/f_w$ (3.90 ms: $f_w = f_{BRG}$ )     |
| 1    | 1    | 0    | 0    | $2^8/f_w$ (7.81 ms: $f_w = f_{BRG}$ )     |
| 1    | 1    | 0    | 1    | $2^9/f_w$ (15.6 ms: $f_w = f_{BRG}$ )     |
| 1    | 1    | 1    | 0    | $2^{10}/f_w$ (31.2 ms: $f_w = f_{BRG}$ )  |
| 1    | 1    | 1    | 1    | $2^{11}/f_w$ (62.5 ms: $f_w = f_{BRG}$ )  |

| WTM7 | WTM3 | WTM2 | Selection of set time of watch flag       |
|------|------|------|-------------------------------------------|
| 0    | 0    | 0    | $2^{14}/f_w$ (0.5 s: $f_w = f_{XT}$ )     |
| 0    | 0    | 1    | $2^{13}/f_w$ (0.25 s: $f_w = f_{XT}$ )    |
| 0    | 1    | 0    | $2^5/f_w$ (977 $\mu$ s: $f_w = f_{XT}$ )  |
| 0    | 1    | 1    | $2^4/f_w$ (488 $\mu$ s: $f_w = f_{XT}$ )  |
| 1    | 0    | 0    | $2^{14}/f_w$ (0.5 s: $f_w = f_{BRG}$ )    |
| 1    | 0    | 1    | $2^{13}/f_w$ (0.25 s: $f_w = f_{BRG}$ )   |
| 1    | 1    | 0    | $2^5/f_w$ (977 $\mu$ s: $f_w = f_{BRG}$ ) |
| 1    | 1    | 1    | $2^4/f_w$ (488 $\mu$ s: $f_w = f_{BRG}$ ) |

| WTM1 | Control of 5-bit counter operation |
|------|------------------------------------|
| 0    | Clears after operation stops       |
| 1    | Starts                             |

| WTM0 | Watch timer operation enable                              |
|------|-----------------------------------------------------------|
| 0    | Stops operation (clears both prescaler and 5-bit counter) |
| 1    | Enables operation                                         |

**Caution** Rewrite the WTM2 to WTM7 bits while both the WTM0 and WTM1 bits are 0.

**Remarks**

1.  $f_w$ : Watch timer clock frequency
2. Values in parentheses apply to operation with  $f_w = 32.768$  kHz

## 9.4 Operation

### 9.4.1 Operation as watch timer

The watch timer generates an interrupt request signal (INTWT) at fixed time intervals. The watch timer operates using time intervals of 0.25 or 0.5 seconds with the subclock (32.768 kHz) or main clock.

The count operation starts when the WTM.WTM1 and WTM.WTM0 bits are set to 11. When the WTM0 bit is cleared to 0, the 11-bit prescaler and 5-bit counter are cleared and the count operation stops.

The time of the watch timer can be adjusted by clearing the WTM1 bit to 0 and then the 5-bit counter when operating at the same time as the interval timer. At this time, an error of up to 15.6 ms may occur for the watch timer, but the interval timer is not affected.

If the main clock is used as the count clock of the watch timer, set the count clock using the PRSM0.BGCS01 and BGCS00 bits, the 8-bit comparison value using the PRSCM0 register, and the count clock frequency ( $f_{BRG}$ ) of the watch timer to 32.768 kHz.

When the PRSM0.BGCE0 bit is set (1),  $f_{BRG}$  is supplied to the watch timer.

$f_{BRG}$  can be calculated by the following expression.

$$f_{BRG} = f_x / (2^{m+1} \times N)$$

To set  $f_{BRG}$  to 32.768 kHz, perform the following calculation and set the BGCS01 and BGCS00 bits and the PRSCM0 register.

- <1> Set  $N = f_x / 65,536$ . Set  $m = 0$ .
- <2> When the value resulting from rounding up the first decimal place of  $N$  is even, set  $N$  before the roundup as  $N/2$  and  $m$  as  $m + 1$ .
- <3> Repeat <2> until  $N$  is odd or  $m = 3$ .
- <4> Set the value resulting from rounding up the first decimal place of  $N$  to the PRSCM0 register and  $m$  to the BGCS01 and BGCS00 bits.

Example: When  $f_x = 4.00$  MHz

$$\text{<1> } N = 4,000,000 / 65,536 = 61.03\dots, m = 0$$

<2>, <3> Because  $N$  (round up the first decimal place) is odd,  $N = 61$ ,  $m = 0$ .

<4> Set value of PRSCM0 register: 3DH (61), set value of BGCS01 and BGCS00 bits: 00

At this time, the actual  $f_{BRG}$  frequency is as follows.

$$\begin{aligned} f_{BRG} &= f_x / (2^{m+1} \times N) = 4,000,000 / (2 \times 61) \\ &= 32.787 \text{ kHz} \end{aligned}$$

**Remark**  $m$ : Division value (set value of BGCS01 and BGCS00 bits) = 0 to 3

$N$ : Set value of PRSCM0 register = 1 to 256

However,  $N = 256$  when PRSCM0 register is set to 00H.

$f_x$ : Main clock oscillation frequency



### 9.4.2 Operation as interval timer

The watch timer can also be used as an interval timer that repeatedly generates an interrupt request signal (INTWTI) at intervals specified by a preset count value.

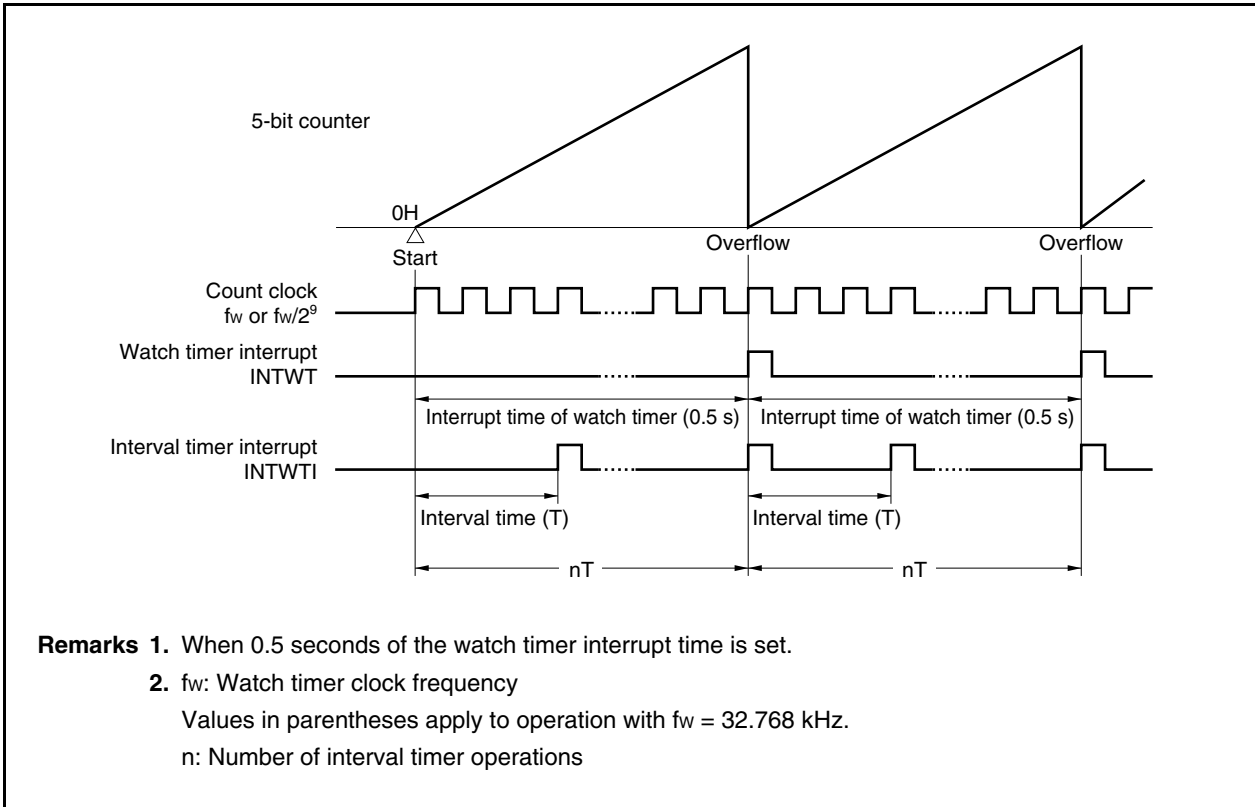
The interval time can be selected by the WTM.WTM4 to WTM.WTM7 bits.

**Table 9-1. Interval Time of Interval Timer**

| WTM7 | WTM6 | WTM5 | WTM4 | Interval Time        |                                                         |
|------|------|------|------|----------------------|---------------------------------------------------------|
| 0    | 0    | 0    | 0    | $2^4 \times 1/fw$    | 488 $\mu$ s (operating at $f_w = f_{XT} = 32.768$ kHz)  |
| 0    | 0    | 0    | 1    | $2^5 \times 1/fw$    | 977 $\mu$ s (operating at $f_w = f_{XT} = 32.768$ kHz)  |
| 0    | 0    | 1    | 0    | $2^6 \times 1/fw$    | 1.95 ms (operating at $f_w = f_{XT} = 32.768$ kHz)      |
| 0    | 0    | 1    | 1    | $2^7 \times 1/fw$    | 3.91 ms (operating at $f_w = f_{XT} = 32.768$ kHz)      |
| 0    | 1    | 0    | 0    | $2^8 \times 1/fw$    | 7.81 ms (operating at $f_w = f_{XT} = 32.768$ kHz)      |
| 0    | 1    | 0    | 1    | $2^9 \times 1/fw$    | 15.6 ms (operating at $f_w = f_{XT} = 32.768$ kHz)      |
| 0    | 1    | 1    | 0    | $2^{10} \times 1/fw$ | 31.3 ms (operating at $f_w = f_{XT} = 32.768$ kHz)      |
| 0    | 1    | 1    | 1    | $2^{11} \times 1/fw$ | 62.5 ms (operating at $f_w = f_{XT} = 32.768$ kHz)      |
| 1    | 0    | 0    | 0    | $2^4 \times 1/fw$    | 488 $\mu$ s (operating at $f_w = f_{BRG} = 32.768$ kHz) |
| 1    | 0    | 0    | 1    | $2^5 \times 1/fw$    | 977 $\mu$ s (operating at $f_w = f_{BRG} = 32.768$ kHz) |
| 1    | 0    | 1    | 0    | $2^6 \times 1/fw$    | 1.95 ms (operating at $f_w = f_{BRG} = 32.768$ kHz)     |
| 1    | 0    | 1    | 1    | $2^7 \times 1/fw$    | 3.91 ms (operating at $f_w = f_{BRG} = 32.768$ kHz)     |
| 1    | 1    | 0    | 0    | $2^8 \times 1/fw$    | 7.81 ms (operating at $f_w = f_{BRG} = 32.768$ kHz)     |
| 1    | 1    | 0    | 1    | $2^9 \times 1/fw$    | 15.6 ms (operating at $f_w = f_{BRG} = 32.768$ kHz)     |
| 1    | 1    | 1    | 0    | $2^{10} \times 1/fw$ | 31.3 ms (operating at $f_w = f_{BRG} = 32.768$ kHz)     |
| 1    | 1    | 1    | 1    | $2^{11} \times 1/fw$ | 62.5 ms (operating at $f_w = f_{BRG} = 32.768$ kHz)     |

**Remark** fw: Watch timer clock frequency

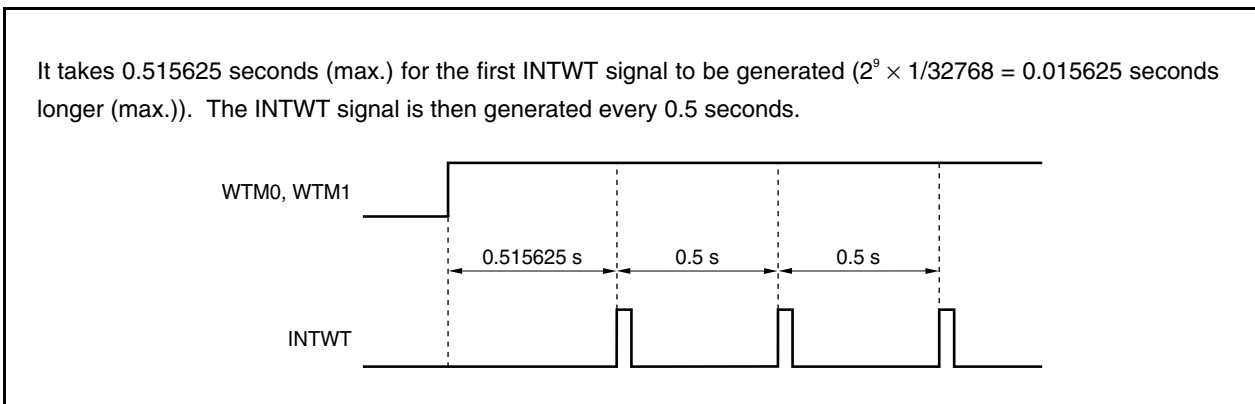
Figure 9-2. Operation Timing of Watch Timer/Interval Timer



9.4.3 Cautions

Some time is required before the first watch timer interrupt request signal (INTWT) is generated after operation is enabled (WTM.WTM1 and WTM.WTM0 bits = 1).

Figure 9-3. Example of Generation of Watch Timer Interrupt Request Signal (INTWT)  
(When Interrupt Cycle = 0.5 s)



## CHAPTER 10 FUNCTIONS OF WATCHDOG TIMER 2

### 10.1 Functions

Watchdog timer 2 has the following functions.

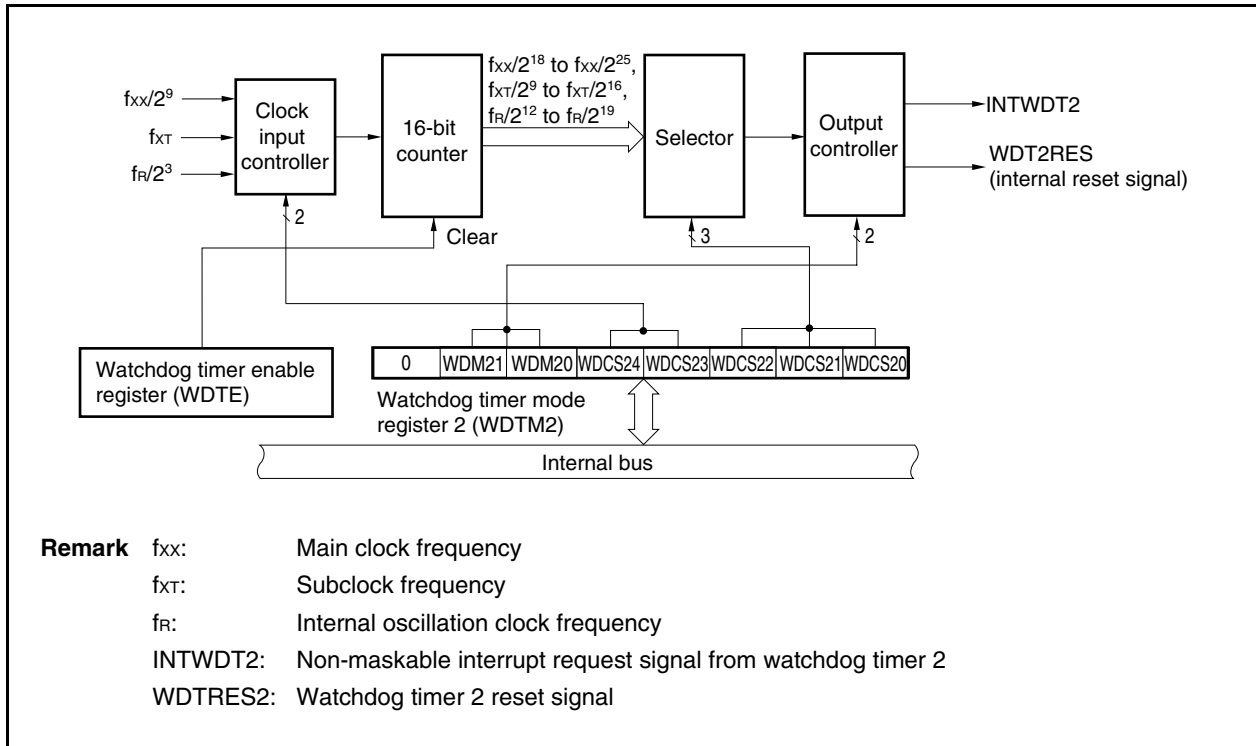
- Default-start watchdog timer<sup>Note 1</sup>
  - Reset mode: Reset operation upon overflow of watchdog timer 2 (generation of WDT2RES signal)
  - Non-maskable interrupt request mode: NMI operation upon overflow of watchdog timer 2 (generation of INTWDT2 signal)<sup>Note 2</sup>
- Input selectable from main clock, internal oscillation clock, and subclock as the source clock

- Notes**
1. Watchdog timer 2 automatically starts in the reset mode following reset release.  
When watchdog timer 2 is not used, either stop its operation before reset is executed via this function, or clear watchdog timer 2 once and stop it within the next interval time.  
Also, write to the WDTM2 register for verification purposes only once, even if the default settings (reset mode, interval time:  $f_R/2^{19}$ ) do not need to be changed.
  2. For the non-maskable interrupt servicing due to a non-maskable interrupt request signal (INTWDT2), see **19.2.2 (2) INTWDT2 signal**.

## 10.2 Configuration

The following shows the block diagram of watchdog timer 2.

Figure 10-1. Block Diagram of Watchdog Timer 2



Watchdog timer 2 includes the following hardware.

Table 10-1. Configuration of Watchdog Timer 2

| Item              | Configuration                                                                   |
|-------------------|---------------------------------------------------------------------------------|
| Control registers | Watchdog timer mode register 2 (WDTM2)<br>Watchdog timer enable register (WDTE) |

### 10.3 Registers

#### (1) Watchdog timer mode register 2 (WDTM2)

The WDTM2 register sets the overflow time and operation clock of watchdog timer 2.

This register can be read or written in 8-bit units. This register can be read any number of times, but it can be written only once following reset release.

Reset input sets this register to 67H.

**Caution** Accessing the WDTM2 register is prohibited in the following statuses. For details, refer to 3.4.9 (2) Accessing specific on-chip peripheral I/O registers.

- When the CPU operates with the subclock and the main clock oscillation is stopped
- When the CPU operates with the internal oscillation clock

After reset: 67H    R/W    Address: FFFFF6D0H

|       |   |       |       |        |        |        |        |        |
|-------|---|-------|-------|--------|--------|--------|--------|--------|
|       | 7 | 6     | 5     | 4      | 3      | 2      | 1      | 0      |
| WDTM2 | 0 | WDM21 | WDM20 | WDCS24 | WDCS23 | WDCS22 | WDCS21 | WDCS20 |

| WDM21 | WDM20 | Selection of operation mode of watchdog timer 2                       |
|-------|-------|-----------------------------------------------------------------------|
| 0     | 0     | Stops operation                                                       |
| 0     | 1     | Non-maskable interrupt request mode<br>(generation of INTWDT2 signal) |
| 1     | –     | Reset mode (generation of WDT2RES signal)                             |

**Cautions** 1. For details on the WDCS20 to WDCS24 bits, see Table 10-2 Watchdog Timer 2 Clock Selection.

2. Although watchdog timer 2 can be stopped just by stopping operation of the internal oscillator, clear the WDTM2 register to 00H to securely stop the timer (to avoid selection of the main clock or subclock due to an erroneous write operation).
3. If the WDTM2 register is rewritten twice after reset, an overflow signal is forcibly generated and the counter is reset.
4. To intentionally generate an overflow signal, write to the WDTM2 register only twice or write a value other than ACH to the WDTE register once.

However, when watchdog timer 2 is set to stop operation, an overflow signal is not generated even if data is written to the WDTM2 register only twice, or a value other than “ACH” is written to the WDTE register only once.

5. To stop the operation of watchdog timer 2, set the RCM.RSTOP bit to 1 (to stop the internal oscillator) and write 00H in the WDTM2 register. If the RCM.RSTOP bit cannot be set to 1, set the WDCS23 bit to 1 ( $2^0/f_{xx}$  is selected and the clock can be stopped in the IDLE1, IDLW2, sub-IDLE, and subclock operation modes).

<R>

Table 10-2. Watchdog Timer 2 Clock Selection

| WDCS24 | WDCS23 | WDCS22 | WDCS21 | WDCS20 | Selected Clock  | 100 kHz (MIN.)                | 200 kHz (TYP.)            | 400 kHz (MAX.)            |
|--------|--------|--------|--------|--------|-----------------|-------------------------------|---------------------------|---------------------------|
| 0      | 0      | 0      | 0      | 0      | $2^{12}/f_R$    | 41.0 ms                       | 20.5 ms                   | 10.2 ms                   |
| 0      | 0      | 0      | 0      | 1      | $2^{13}/f_R$    | 81.9 ms                       | 41.0 ms                   | 20.5 ms                   |
| 0      | 0      | 0      | 1      | 0      | $2^{14}/f_R$    | 163.8 ms                      | 81.9 ms                   | 41.0 ms                   |
| 0      | 0      | 0      | 1      | 1      | $2^{15}/f_R$    | 327.7 ms                      | 163.8 ms                  | 81.9 ms                   |
| 0      | 0      | 1      | 0      | 0      | $2^{16}/f_R$    | 655.4 ms                      | 327.7 ms                  | 163.8 ms                  |
| 0      | 0      | 1      | 0      | 1      | $2^{17}/f_R$    | 1,310.7 ms                    | 655.4 ms                  | 327.7 ms                  |
| 0      | 0      | 1      | 1      | 0      | $2^{18}/f_R$    | 2,621.4 ms                    | 1,310.7 ms                | 655.4 ms                  |
| 0      | 0      | 1      | 1      | 1      | $2^{19}/f_R$    | 5,242.9 ms                    | 2,621.47 ms               | 1,310.7 ms                |
|        |        |        |        |        |                 | $f_{XX} = 20 \text{ MHz}$     | $f_{XX} = 16 \text{ MHz}$ | $f_{XX} = 10 \text{ MHz}$ |
| 0      | 1      | 0      | 0      | 0      | $2^{18}/f_{XX}$ | 13.1 ms                       | 16.4 ms                   | 26.2 ms                   |
| 0      | 1      | 0      | 0      | 1      | $2^{19}/f_{XX}$ | 26.2 ms                       | 32.8 ms                   | 52.4 ms                   |
| 0      | 1      | 0      | 1      | 0      | $2^{20}/f_{XX}$ | 52.4 ms                       | 65.5 ms                   | 104.9 ms                  |
| 0      | 1      | 0      | 1      | 1      | $2^{21}/f_{XX}$ | 104.9 ms                      | 131.1 ms                  | 209.7 ms                  |
| 0      | 1      | 1      | 0      | 0      | $2^{22}/f_{XX}$ | 209.7 ms                      | 262.1 ms                  | 419.4 ms                  |
| 0      | 1      | 1      | 0      | 1      | $2^{23}/f_{XX}$ | 419.4 ms                      | 524.3 ms                  | 838.9 ms                  |
| 0      | 1      | 1      | 1      | 0      | $2^{24}/f_{XX}$ | 838.9 ms                      | 1,048.6 ms                | 1,677.7 ms                |
| 0      | 1      | 1      | 1      | 1      | $2^{25}/f_{XX}$ | 1,677.7 ms                    | 2,097.2 ms                | 3,355.4 ms                |
|        |        |        |        |        |                 | $f_{XT} = 32.768 \text{ kHz}$ |                           |                           |
| 1      | ×      | 0      | 0      | 0      | $2^9/f_{XT}$    | 15.625 ms                     |                           |                           |
| 1      | ×      | 0      | 0      | 1      | $2^{10}/f_{XT}$ | 31.25 ms                      |                           |                           |
| 1      | ×      | 0      | 1      | 0      | $2^{11}/f_{XT}$ | 62.5 ms                       |                           |                           |
| 1      | ×      | 0      | 1      | 1      | $2^{12}/f_{XT}$ | 125 ms                        |                           |                           |
| 1      | ×      | 1      | 0      | 0      | $2^{13}/f_{XT}$ | 250 ms                        |                           |                           |
| 1      | ×      | 1      | 0      | 1      | $2^{14}/f_{XT}$ | 500 ms                        |                           |                           |
| 1      | ×      | 1      | 1      | 0      | $2^{15}/f_{XT}$ | 1,000 ms                      |                           |                           |
| 1      | ×      | 1      | 1      | 1      | $2^{16}/f_{XT}$ | 2,000 ms                      |                           |                           |

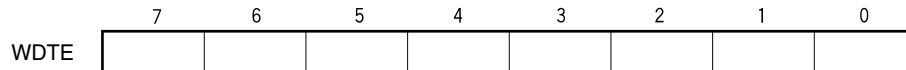
**(2) Watchdog timer enable register (WDTE)**

The counter of watchdog timer 2 is cleared and counting restarted by writing “ACH” to the WDTE register.

The WDTE register can be read or written in 8-bit units.

Reset sets this register to 9AH.

After reset: 9AH    R/W    Address: FFFFF6D1H



**Cautions** 1. When a value other than “ACH” is written to the WDTE register, an overflow signal is forcibly output.

2. When a 1-bit memory manipulation instruction is executed for the WDTE register, an overflow signal is forcibly output.

3. To intentionally generate an overflow signal, write to the WDTM2 register only twice or write a value other than ACH to the WDTE register once.

However, when the watchdog timer 2 is set to stop operation, an overflow signal is not generated even if data is written to the WDTM2 register only twice, or a value other than “ACH” is written to the WDTE register only once

4. The read value of the WDTE register is “9AH” (which differs from written value “ACH”).

<R>

## 10.4 Operation

Watchdog timer 2 automatically starts in the reset mode following reset release.

The WDTM2 register can be written to only once following reset using byte access. To use watchdog timer 2, write the operation mode and the interval time to the WDTM2 register using an 8-bit memory manipulation instruction. After this, the operation of watchdog timer 2 cannot be stopped.

The WDCS24 to WDCS20 bits of the WDTM2 register are used to select the watchdog timer 2 loop detection time interval.

Writing ACH to the WDTE register clears the counter of watchdog timer 2 and starts the count operation again. After the count operation has started, write ACH to WDTE within the loop detection time interval.

If the time interval expires without ACH being written to the WDTE register, a reset signal (WDT2RES) or a non-maskable interrupt request signal (INTWDT2) is generated, depending on the set values of the WDM21 and WDTM2.WDM20 bits.

When the WDTM2.WDM21 bit is set to 1 (reset mode), if a WDT overflow occurs during oscillation stabilization after a reset or standby is released, no internal reset will occur and the CPU clock will switch to the internal oscillation clock.

To not use watchdog timer 2, write 00H to the WDTM2 register.

For the non-maskable interrupt servicing while the non-maskable interrupt request mode is set, see **19.2.2 (2) INTWDT2 signal**.



## CHAPTER 11 A/D CONVERTER

### 11.1 Overview

The A/D converter converts analog input signals into digital values, has a resolution of 10 bits, and can handle 12 analog input signal channels (ANI0 to ANI11).

The A/D converter has the following features.

- 10-bit resolution
- 12 channels
- Successive approximation method
- Operating voltage:  $AV_{REF0} = 3.0$  to  $3.6$  V
- Analog input voltage: 0 V to  $AV_{REF0}$
- The following functions are provided as operation modes.
  - Continuous select mode
  - Continuous scan mode
  - One-shot select mode
  - One-shot scan mode
- The following functions are provided as trigger modes.
  - Software trigger mode
  - External trigger mode (external, 1)
  - Timer trigger mode
- Power-fail monitor function (conversion result compare function)

### 11.2 Functions

#### (1) 10-bit resolution A/D conversion

An analog input channel is selected from ANI0 to ANI11, and an A/D conversion operation is repeated at a resolution of 10 bits. Each time A/D conversion has been completed, an interrupt request signal (INTAD) is generated.

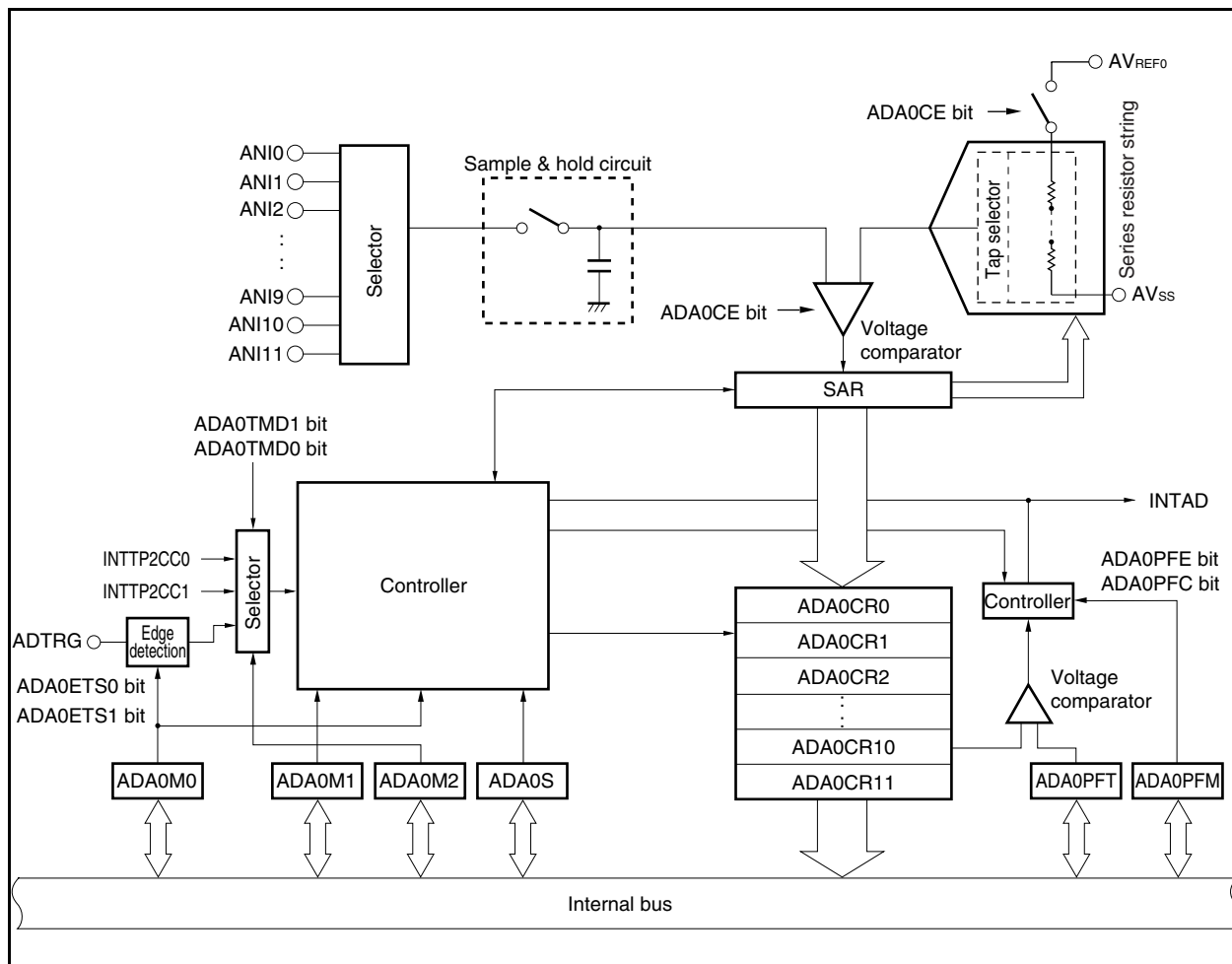
#### (2) Power-fail detection function

This function is used to detect a drop in the battery voltage. The result of A/D conversion (the value of the ADA0CRnH register) is compared with the value of the ADA0PFT register, and the INTAD signal is generated only when a specified comparison condition is satisfied ( $n = 0$  to 11).

### 11.3 Configuration

The block diagram of the A/D converter is shown below.

**Figure 11-1. Block Diagram of A/D Converter**



The A/D converter includes the following hardware.

**Table 11-1. Configuration of A/D Converter**

| Item              | Configuration                                                                                                                                                                                                           |
|-------------------|-------------------------------------------------------------------------------------------------------------------------------------------------------------------------------------------------------------------------|
| Analog inputs     | 12 channels (ANI0 to ANI11 pins)                                                                                                                                                                                        |
| Registers         | Successive approximation register (SAR)<br>A/D conversion result registers 0 to 11 (ADA0CR0 to ADA0CR11)<br>A/D conversion result registers 0H to 11H (ADCR0H to ADCR11H): Only higher 8 bits can be read               |
| Control registers | A/D converter mode registers 0 to 2 (ADA0M0 to ADA0M2)<br>A/D converter channel specification register 0 (ADA0S)<br>Power fail compare mode register (ADA0PFM)<br>Power fail compare threshold value register (ADA0PFT) |

**(1) Successive approximation register (SAR)**

The SAR register compares the voltage value of the analog input signal with the voltage tap (compare voltage) value from the series resistor string, and holds the comparison result starting from the most significant bit (MSB).

When the comparison result has been held down to the least significant bit (LSB) (i.e., when A/D conversion is complete), the contents of the SAR register are transferred to the ADA0CRn register.

**Remark** n = 0 to 11

**(2) A/D conversion result register n (ADA0CRn), A/D conversion result register nH (ADA0CRnH)**

The ADA0CRn register is a 16-bit register that stores the A/D conversion result. ADA0ARn consist of 12 registers and the A/D conversion result is stored in the 10 higher bits of the AD0CRn register corresponding to analog input. (The lower 6 bits are fixed to 0.)

**(3) A/D converter mode register 0 (ADA0M0)**

This register specifies the operation mode and controls the conversion operation by the A/D converter.

**(4) A/D converter mode register 1 (ADA0M1)**

This register sets the conversion time of the analog input signal to be converted.

**(5) A/D converter mode register 2 (ADA0M2)**

This register sets the hardware trigger mode.

**(6) A/D converter channel specification register (ADA0S)**

This register sets the input port that inputs the analog voltage to be converted.

**(7) Power-fail compare mode register (ADA0PFM)**

This register sets the power-fail monitor mode.

**(8) Power-fail compare threshold value register (ADA0PFT)**

The ADA0PFT register sets a threshold value that is compared with the value of A/D conversion result register nH (ADA0CRnH). The 8-bit data set to the ADA0PFT register is compared with the higher 8 bits of the A/D conversion result register (ADA0CRnH).

**(9) Controller**

The controller compares the result of the A/D conversion (the value of the ADA0CRnH register) with the value of the ADA0PFT register when A/D conversion is completed or when the power-fail detection function is used, and generates the INTAD signal only when a specified comparison condition is satisfied.

**(10) Sample & hold circuit**

The sample & hold circuit samples each of the analog input signals selected by the input circuit and sends the sampled data to the voltage comparator. This circuit also holds the sampled analog input signal voltage during A/D conversion.

**(11) Voltage comparator**

The voltage comparator compares a voltage value that has been sampled and held with the voltage value of the series resistor string.

**(12) Series resistor string**

This series resistor string is connected between  $AV_{REF0}$  and  $AV_{SS}$  and generates a voltage for comparison with the analog input signal.

**(13) ANI0 to ANI11 pins**

These are analog input pins for the 12 A/D converter channels and are used to input analog signals to be converted into digital signals. Pins other than the one selected as the analog input by the ADA0S register can be used as input port pins.

**Caution** Make sure that the voltages input to the ANI0 to ANI11 pins do not exceed the rated values. In particular if a voltage of  $AV_{REF0}$  or higher is input to a channel, the conversion value of that channel becomes undefined, and the conversion values of the other channels may also be affected.

**(14)  $AV_{REF0}$  pin**

This is the pin used to input the reference voltage of the A/D converter. Always make the potential at this pin the same as that at the  $V_{DD}$  pin even when the A/D converter is not used. The signals input to the ANI0 to ANI11 pins are converted to digital signals based on the voltage applied between the  $AV_{REF0}$  and  $AV_{SS}$  pins.

**(15)  $AV_{SS}$  pin**

This is the ground pin of the A/D converter. Always make the potential at this pin the same as that at the  $V_{SS}$  pin even when the A/D converter is not used.

## 11.4 Registers

The A/D converter is controlled by the following registers.

- A/D converter mode registers 0, 1, 2 (ADA0M0, ADA0M1, ADA0M2)
- A/D converter channel specification register 0 (ADA0S)
- Power-fail compare mode register (ADA0PFM)

The following registers are also used.

- A/D conversion result register n (ADA0CRn)
- A/D conversion result register nH (ADA0CRnH)
- Power-fail compare threshold value register (ADA0PFT)

### (1) A/D converter mode register 0 (ADA0M0)

The ADA0M0 register is an 8-bit register that specifies the operation mode and controls conversion operations. This register can be read or written in 8-bit or 1-bit units. However, ADA0EF bit is read-only. Reset sets this register to 00H.

**Caution** Accessing the ADA0M0 register is prohibited in the following statuses. For details, refer to 3.4.9 (2) Accessing specific on-chip peripheral I/O registers.

- When the CPU operates with the subclock and the main clock oscillation is stopped
- When the CPU operates with the internal oscillation clock

(1/2)

|                  |          |                        |                                                                |         |          |          |         |        |                    |  |  |  |  |  |  |  |  |
|------------------|----------|------------------------|----------------------------------------------------------------|---------|----------|----------|---------|--------|--------------------|--|--|--|--|--|--|--|--|
| After reset: 00H |          |                        |                                                                |         |          |          |         | R/W    | Address: FFFFF200H |  |  |  |  |  |  |  |  |
|                  | <7>      | 6                      | 5                                                              | 4       | 3        | 2        | 1       | <0>    |                    |  |  |  |  |  |  |  |  |
| ADA0M0           | ADA0CE   | 0                      | ADA0MD1                                                        | ADA0MD0 | ADA0ETS1 | ADA0ETS0 | ADA0TMD | ADA0EF |                    |  |  |  |  |  |  |  |  |
|                  | ADA0CE   | A/D conversion control |                                                                |         |          |          |         |        |                    |  |  |  |  |  |  |  |  |
|                  | 0        | Stops A/D conversion   |                                                                |         |          |          |         |        |                    |  |  |  |  |  |  |  |  |
|                  | 1        | Enables A/D conversion |                                                                |         |          |          |         |        |                    |  |  |  |  |  |  |  |  |
|                  | ADA0MD1  | ADA0MD0                | Specification of A/D converter operation mode                  |         |          |          |         |        |                    |  |  |  |  |  |  |  |  |
|                  | 0        | 0                      | Continuous select mode                                         |         |          |          |         |        |                    |  |  |  |  |  |  |  |  |
|                  | 0        | 1                      | Continuous scan mode                                           |         |          |          |         |        |                    |  |  |  |  |  |  |  |  |
|                  | 1        | 0                      | One-shot select mode                                           |         |          |          |         |        |                    |  |  |  |  |  |  |  |  |
|                  | 1        | 1                      | One-shot scan mode                                             |         |          |          |         |        |                    |  |  |  |  |  |  |  |  |
|                  | ADA0ETS1 | ADA0ETS0               | Specification of external trigger (ADTRG pin) input valid edge |         |          |          |         |        |                    |  |  |  |  |  |  |  |  |
|                  | 0        | 0                      | No edge detection                                              |         |          |          |         |        |                    |  |  |  |  |  |  |  |  |
|                  | 0        | 1                      | Falling edge detection                                         |         |          |          |         |        |                    |  |  |  |  |  |  |  |  |
|                  | 1        | 0                      | Rising edge detection                                          |         |          |          |         |        |                    |  |  |  |  |  |  |  |  |
|                  | 1        | 1                      | Detection of both rising and falling edges                     |         |          |          |         |        |                    |  |  |  |  |  |  |  |  |

| ADA0TMD | Trigger mode specification               |
|---------|------------------------------------------|
| 0       | Software trigger mode                    |
| 1       | External trigger mode/timer trigger mode |

| ADA0EF | A/D converter status display |
|--------|------------------------------|
| 0      | A/D conversion stopped       |
| 1      | A/D conversion in progress   |

**Cautions** 1. A write operation to this bit is ignored.

2. Changing the ADA0M1 register bits is prohibited while A/D conversion is enabled (ADA0CE bit = 1).

3. Stop the A/D conversion operation (ADA0CE = 0) before writing to the ADA0M0, ADA0M2, ADA0S, ADA0PFM, or ADA0PFT register in either of the following modes, then enable the A/D conversion operation (ADA0CE = 1).

- Normal conversion mode
- One-shot select mode/one-shot scan mode in high-speed conversion mode

If the ADA0M0, ADA0M2, ADA0S, ADA0PFM, and ADA0PFT registers are written during A/D conversion (ADA0EF bit = 1) in mode other than above, the following will be performed according to the mode.

- In software trigger mode  
A/D conversion is stopped and started again from the beginning.
- In hardware trigger mode

A/D conversion is stopped, and the trigger standby state is set.

4. When the external trigger or timer trigger mode is selected (ADA0TMD bit = 1), set the high-speed conversion mode (ADA0M1.ADA0HS1 bit = 1). Do not input a trigger during the stabilization time that is inserted only once after the A/D conversion operation is enabled (ADA0CE bit = 1).

5. When not using the A/D converter, stop the operation by setting the ADA0CE bit to 0 to reduce the power consumption.

&lt;R&gt;

&lt;R&gt;

&lt;R&gt;

**(2) A/D converter mode register 1 (ADA0M1)**

The ADA0M1 register is an 8-bit register that specifies the conversion time.

This register can be read or written in 8-bit or 1-bit units.

Reset sets this bit to 00H.

After reset: 00H R/W Address: FFFFF201H

|        |         |   |   |   |   |         |         |         |
|--------|---------|---|---|---|---|---------|---------|---------|
|        | 7       | 6 | 5 | 4 | 3 | 2       | 1       | 0       |
| ADA0M1 | ADA0HS1 | 0 | 0 | 0 | 0 | ADA0FR2 | ADA0FR1 | ADA0FR0 |

|         |                                                                               |
|---------|-------------------------------------------------------------------------------|
| ADA0HS1 | Specification of normal conversion mode/high-speed mode (A/D conversion time) |
| 0       | Normal conversion mode                                                        |
| 1       | High-speed conversion mode                                                    |

- Cautions**
- 1, Changing the ADA0M1 register is prohibited while A/D conversion is enabled (ADA0M0.ADA0CE bit = 1).
  2. When the external trigger or timer trigger mode is selected (ADA0M0.ADA0TMD bit = 1), set high-speed conversion mode (ADA0HS1 bit = 1), and do not input a trigger during the stabilization time that is inserted only once after the A/D conversion operation is enabled (ADA0CE = 1).
  3. Be sure to clear bits 6 to 3 to "0".

**Remark** For A/D conversion time setting examples, see **Tables 11-2** and **11-3**.

<R>

<R> **Table 11-2. Conversion Time Selection in Normal Conversion Mode (ADA0HS1 Bit = 0)**

| ADA0FR2 to<br>ADA0FR0<br>Bits | A/D Conversion Time                                |                           |                           |                          |                       |
|-------------------------------|----------------------------------------------------|---------------------------|---------------------------|--------------------------|-----------------------|
|                               | Stabilization Time + Conversion Time + Wait Time   | $f_{xx} = 20 \text{ MHz}$ | $f_{xx} = 16 \text{ MHz}$ | $f_{xx} = 4 \text{ MHz}$ | Trigger Response Time |
| 000                           | $66/f_{xx} (13/f_{xx} + 26/f_{xx} + 27/f_{xx})$    | Setting prohibited        | Setting prohibited        | $16.50 \mu\text{s}$      | $3/f_{xx}$            |
| 001                           | $131/f_{xx} (26/f_{xx} + 52/f_{xx} + 53/f_{xx})$   | $6.55 \mu\text{s}$        | $8.19 \mu\text{s}$        | Setting prohibited       | $3/f_{xx}$            |
| 010                           | $196/f_{xx} (39/f_{xx} + 78/f_{xx} + 79/f_{xx})$   | $9.80 \mu\text{s}$        | $12.25 \mu\text{s}$       | Setting prohibited       | $3/f_{xx}$            |
| 011                           | $259/f_{xx} (50/f_{xx} + 104/f_{xx} + 105/f_{xx})$ | $12.95 \mu\text{s}$       | $16.19 \mu\text{s}$       | Setting prohibited       | $3/f_{xx}$            |
| 100                           | $311/f_{xx} (50/f_{xx} + 130/f_{xx} + 131/f_{xx})$ | $15.55 \mu\text{s}$       | $19.44 \mu\text{s}$       | Setting prohibited       | $3/f_{xx}$            |
| 101                           | $363/f_{xx} (50/f_{xx} + 156/f_{xx} + 157/f_{xx})$ | $18.15 \mu\text{s}$       | $22.69 \mu\text{s}$       | Setting prohibited       | $3/f_{xx}$            |
| 110                           | $415/f_{xx} (50/f_{xx} + 182/f_{xx} + 183/f_{xx})$ | $20.75 \mu\text{s}$       | Setting prohibited        | Setting prohibited       | $3/f_{xx}$            |
| 111                           | $467/f_{xx} (50/f_{xx} + 208/f_{xx} + 209/f_{xx})$ | $23.35 \mu\text{s}$       | Setting prohibited        | Setting prohibited       | $3/f_{xx}$            |

**Remark** Stabilization time: A/D converter setup time ( $1 \mu\text{s}$  or longer)  
 Conversion time: Actual A/D conversion time ( $2.6$  to  $10.4 \mu\text{s}$ )  
 Wait time: Wait time inserted before the next conversion  
 Trigger response time: If a software trigger, external trigger, or timer trigger is generated after the stabilization time, it is inserted before the conversion time.

In the normal conversion mode, the conversion is started after the stabilization time elapsed from the ADA0M0.ADA0CE bit is set to 1, and A/D conversion is performed only during the conversion time ( $2.6$  to  $10.4 \mu\text{s}$ ). Operation is stopped after the conversion ends and the A/D conversion end interrupt request signal (INTAD) is generated after the wait time is elapsed.

Because the conversion operation is stopped during the wait time, operation current can be reduced.

<R> **Caution** Set as  $2.6 \mu\text{s} \leq \text{conversion time} \leq 10.4 \mu\text{s}$ .



&lt;R&gt;

**Table 11-3. Conversion Time Selection in High-Speed Conversion Mode (ADA0HS1 Bit = 1)**

| ADA0FR2<br>to<br>ADA0FR0<br>Bits | A/D Conversion Time                       |                                              |                                                  |                                              | Trigger Response<br>Time |
|----------------------------------|-------------------------------------------|----------------------------------------------|--------------------------------------------------|----------------------------------------------|--------------------------|
|                                  | Conversion Time<br>(+ Stabilization Time) | $f_{xx} = 20$ MHz                            | $f_{xx} = 16$ MHz                                | $f_{xx} = 4$ MHz                             |                          |
| 000                              | $26/f_{xx}$ (+ $13/f_{xx}$ )              | Setting prohibited                           | Setting prohibited                               | $6.5 \mu\text{s}$<br>(+ $3.25 \mu\text{s}$ ) | $3/f_{xx}$               |
| 001                              | $52/f_{xx}$ (+ $26/f_{xx}$ )              | $2.6 \mu\text{s}$<br>(+ $1.3 \mu\text{s}$ )  | $3.25 \mu\text{s}$<br>(+ $1.625 \mu\text{s}$ )   | Setting prohibited                           | $3/f_{xx}$               |
| 010                              | $78/f_{xx}$ (+ $39/f_{xx}$ )              | $3.9 \mu\text{s}$<br>(+ $1.95 \mu\text{s}$ ) | $4.875 \mu\text{s}$<br>(+ $2.4375 \mu\text{s}$ ) | Setting prohibited                           | $3/f_{xx}$               |
| 011                              | $104/f_{xx}$ (+ $50/f_{xx}$ )             | $5.2 \mu\text{s}$<br>(+ $2.5 \mu\text{s}$ )  | $6.5 \mu\text{s}$<br>(+ $3.125 \mu\text{s}$ )    | Setting prohibited                           | $3/f_{xx}$               |
| 100                              | $130/f_{xx}$ (+ $50/f_{xx}$ )             | $6.5 \mu\text{s}$<br>(+ $2.5 \mu\text{s}$ )  | $8.125 \mu\text{s}$<br>(+ $3.125 \mu\text{s}$ )  | Setting prohibited                           | $3/f_{xx}$               |
| 101                              | $156/f_{xx}$ (+ $50/f_{xx}$ )             | $7.8 \mu\text{s}$<br>(+ $2.5 \mu\text{s}$ )  | $9.75 \mu\text{s}$<br>(+ $3.125 \mu\text{s}$ )   | Setting prohibited                           | $3/f_{xx}$               |
| 110                              | $182/f_{xx}$ (+ $50/f_{xx}$ )             | $9.1 \mu\text{s}$<br>(+ $2.5 \mu\text{s}$ )  | Setting prohibited                               | Setting prohibited                           | $3/f_{xx}$               |
| 111                              | $208/f_{xx}$ (+ $50/f_{xx}$ )             | $10.4 \mu\text{s}$<br>(+ $2.5 \mu\text{s}$ ) | Setting prohibited                               | Setting prohibited                           | $3/f_{xx}$               |

**Remark** Conversion time: Actual A/D conversion time (2.6 to  $10.4 \mu\text{s}$ )  
 Stabilization time: A/D converter setup time ( $1 \mu\text{s}$  or longer)  
 Trigger response time: If a software trigger, external trigger, or timer trigger is generated after the stabilization time, it is inserted before the conversion time.

In the high-speed conversion mode, the conversion is started after the stabilization time elapsed from the ADA0M0.ADA0CE bit is set to 1, and A/D conversion is performed only during the conversion time (2.6 to  $10.4 \mu\text{s}$ ). The A/D conversion end interrupt request signal (INTAD) is generated immediately after the conversion ends.

In continuous conversion mode, the stabilization time is inserted only before the first conversion, and not inserted after the second conversion (the A/D converter remains running).

&lt;R&gt;

**Caution** Set as  $2.6 \mu\text{s} \leq \text{conversion time} \leq 10.4 \mu\text{s}$ .

**(3) A/D converter mode register 2 (ADA0M2)**

The ADA0M2 register specifies the hardware trigger mode.

This register can be read or written in 8-bit or 1-bit units.

Reset sets this register to 00H.

After reset: 00H    R/W    Address: FFFFF203H

|        |   |   |   |   |   |   |          |          |
|--------|---|---|---|---|---|---|----------|----------|
|        | 7 | 6 | 5 | 4 | 3 | 2 | 1        | 0        |
| ADA0M2 | 0 | 0 | 0 | 0 | 0 | 0 | ADA0TMD1 | ADA0TMD0 |

| ADA0TMD1 | ADA0TMD0 | Specification of hardware trigger mode                               |
|----------|----------|----------------------------------------------------------------------|
| 0        | 0        | External trigger mode (when ADTRG pin valid edge detected)           |
| 0        | 1        | Timer trigger mode 0<br>(when INTTP2CC0 interrupt request generated) |
| 1        | 0        | Timer trigger mode 1<br>(when INTTP2CC1 interrupt request generated) |
| 1        | 1        | Setting prohibited                                                   |

- <R>
- Cautions**
1. Stop the A/D conversion operation ( $ADA0M0.ADA0CE = 0$ ) before writing to the ADA0M2 register in either of the following modes, then enable the A/D conversion operation ( $ADA0CE = 1$ ).
    - Normal conversion mode
    - One-shot select mode/one-shot scan mode in high-speed conversion mode
  2. Be sure to clear bits 7 to 2 to "0".

**(4) A/D converter channel specification register (ADA0S)**

The ADA0S register specifies the pin that inputs the analog voltage to be converted into a digital signal.

This register can be read or written in 8-bit or 1-bit units.

Reset sets this register to 00H.

After reset: 00H R/W Address: FFFFF202H

|       |   |   |   |   |        |        |        |        |
|-------|---|---|---|---|--------|--------|--------|--------|
|       | 7 | 6 | 5 | 4 | 3      | 2      | 1      | 0      |
| ADA0S | 0 | 0 | 0 | 0 | ADA0S3 | ADA0S2 | ADA0S1 | ADA0S0 |

| ADA0S3 | ADA0S2 | ADA0S1 | ADA0S0 | Select mode        | Scan mode          |
|--------|--------|--------|--------|--------------------|--------------------|
| 0      | 0      | 0      | 0      | ANI0               | ANI0               |
| 0      | 0      | 0      | 1      | ANI1               | ANI0, ANI1         |
| 0      | 0      | 1      | 0      | ANI2               | ANI0 to ANI2       |
| 0      | 0      | 1      | 1      | ANI3               | ANI0 to ANI3       |
| 0      | 1      | 0      | 0      | ANI4               | ANI0 to ANI4       |
| 0      | 1      | 0      | 1      | ANI5               | ANI0 to ANI5       |
| 0      | 1      | 1      | 0      | ANI6               | ANI0 to ANI6       |
| 0      | 1      | 1      | 1      | ANI7               | ANI0 to ANI7       |
| 1      | 0      | 0      | 0      | ANI8               | ANI0 to ANI8       |
| 1      | 0      | 0      | 1      | ANI9               | ANI0 to ANI9       |
| 1      | 0      | 1      | 0      | ANI10              | ANI0 to ANI10      |
| 1      | 0      | 1      | 1      | ANI11              | ANI0 to ANI11      |
| 1      | 1      | 0      | 0      | Setting prohibited | Setting prohibited |
| 1      | 1      | 0      | 1      | Setting prohibited | Setting prohibited |
| 1      | 1      | 1      | 0      | Setting prohibited | Setting prohibited |
| 1      | 1      | 1      | 1      | Setting prohibited | Setting prohibited |

<R>

**Cautions** 1. Stop the A/D conversion operation (ADA0M0.ADA0CE = 0) before writing to the ADA0S register in either of the following modes, then enable the A/D conversion operation (ADA0CE = 1).

- Normal conversion mode
- One-shot select mode/one-shot scan mode in high-speed conversion mode

2. Be sure to clear bits 7 to 4 to "0".

**(5) A/D conversion result registers n, nH (ADA0CRn, ADA0CRnH)**

The ADA0CRn and ADA0CRnH registers store the A/D conversion results.

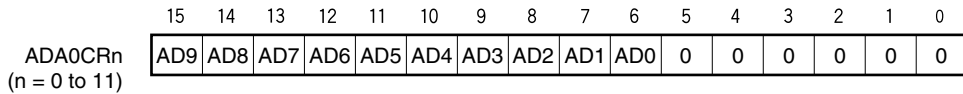
These registers are read-only, in 16-bit or 8-bit units. However, specify the ADA0CRn register for 16-bit access and the ADA0CRnH register for 8-bit access. The 10 bits of the conversion result are read from the higher 10 bits of the ADA0CRn register, and 0 is read from the lower 6 bits. The higher 8 bits of the conversion result are read from the ADA0CRnH register.

**Caution** Accessing the ADA0CRn and ADA0CRnH registers is prohibited in the following statuses.

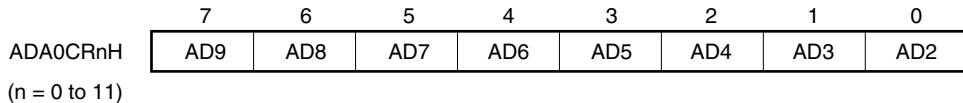
For details, refer to 3.4.9 (2) Accessing specific on-chip peripheral I/O registers.

- When the CPU operates with the subclock and the main clock oscillation is stopped
- When the CPU operates with the internal oscillation clock

After reset: Undefined    R    Address: ADA0CR0 FFFFF210H, ADA0CR1 FFFFF212H,  
 ADA0CR2 FFFFF214H, ADA0CR3 FFFFF216H,  
 ADA0CR4 FFFFF218H, ADA0CR5 FFFFF21AH,  
 ADA0CR6 FFFFF21CH, ADA0CR7 FFFFF21EH,  
 ADA0CR8 FFFFF220H, ADA0CR9 FFFFF222H,  
 ADA0CR10 FFFFF224H, ADA0CR11 FFFFF226H



After reset: Undefined    R    Address: ADA0CR0H FFFFF211H, ADA0CR1H FFFFF213H,  
 ADA0CR2H FFFFF215H, ADA0CR3H FFFFF217H,  
 ADA0CR4H FFFFF219H, ADA0CR5H FFFFF21BH,  
 ADA0CR6H FFFFF21DH, ADA0CR7H FFFFF21FH,  
 ADA0CR8H FFFFF221H, ADA0CR9H FFFFF223H,  
 ADA0CR10H FFFFF225H, ADA0CR11H FFFFF227H



**Caution** A write operation to the ADA0M0 and ADA0S registers may cause the contents of the ADA0CRn register to become undefined. After the conversion, read the conversion result before writing to the ADA0M0 and ADA0S registers. Correct conversion results may not be read if a sequence other than the above is used.

The relationship between the analog voltage input to the analog input pins (ANI0 to ANI11) and the A/D conversion result (ADA0CRn register) is as follows.

$$SAR = \text{INT} \left( \frac{V_{IN}}{AV_{REF0}} \times 1,024 + 0.5 \right)$$

$$ADA0CRn^{\text{Note}} = SAR \times 64$$

Or,

$$(SAR - 0.5) \times \frac{AV_{REF0}}{1,024} \leq V_{IN} < (SAR + 0.5) \times \frac{AV_{REF0}}{1,024}$$

INT( ): Function that returns the integer of the value in ( )

V<sub>IN</sub>: Analog input voltage

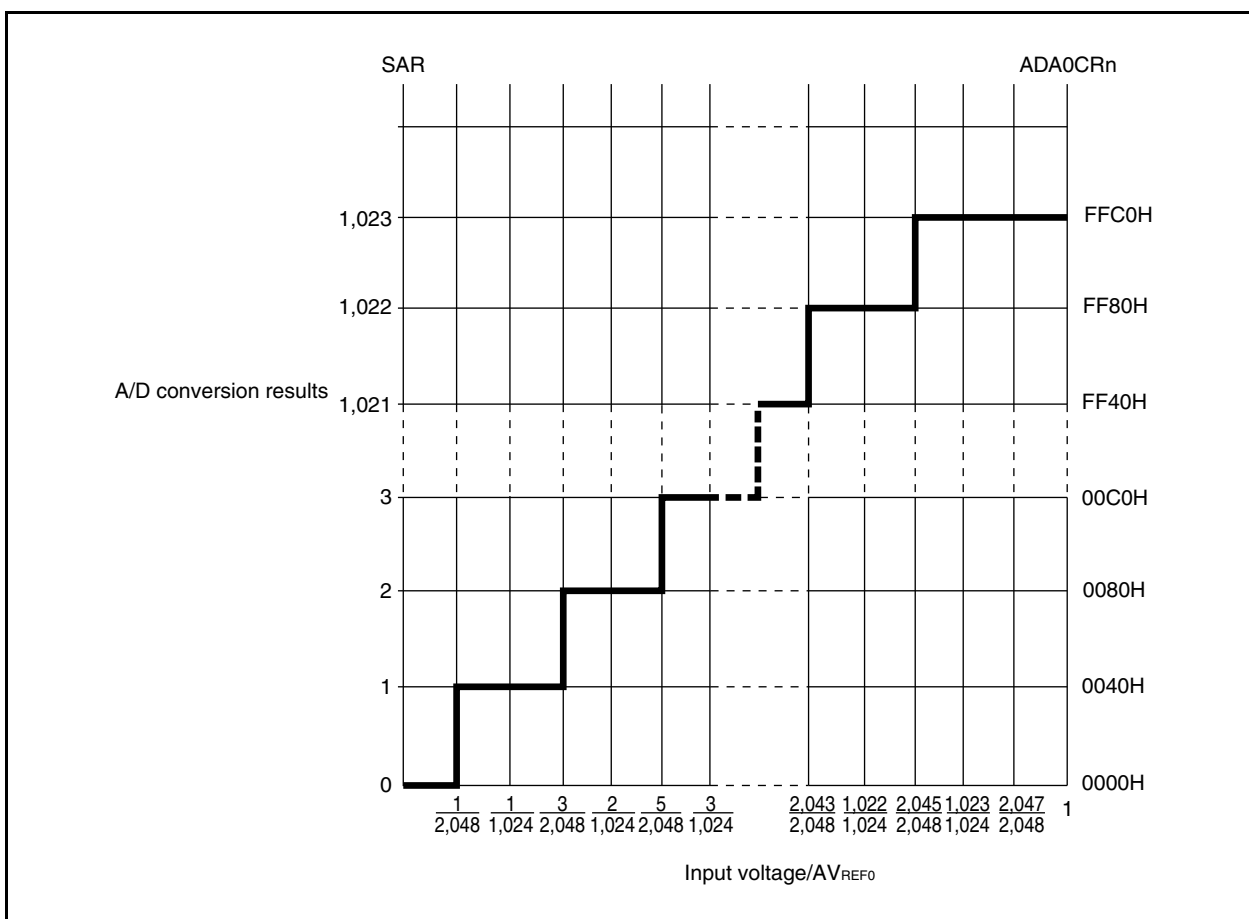
AV<sub>REF0</sub>: AV<sub>REF0</sub> pin voltage

ADA0CR: Value of ADA0CRn register

**Note** The lower 6 bits of the ADA0CRn register are fixed to 0.

The following shows the relationship between the analog input voltage and the A/D conversion results.

**Figure 11-2. Relationship Between Analog Input Voltage and A/D Conversion Results**



**(6) Power-fail compare mode register (ADA0PFM)**

The ADA0PFM register is an 8-bit register that sets the power-fail compare mode.

This register can be read or written in 8-bit or 1-bit units.

Reset sets this register to 00H.

After reset: 00H    R/W    Address: FFFFF204H

|         |         |         |   |   |   |   |   |   |
|---------|---------|---------|---|---|---|---|---|---|
|         | <7>     | 6       | 5 | 4 | 3 | 2 | 1 | 0 |
| ADA0PFM | ADA0PFE | ADA0PFC | 0 | 0 | 0 | 0 | 0 | 0 |

|         |                                                |
|---------|------------------------------------------------|
| ADA0PFE | Selection of power-fail compare enable/disable |
| 0       | Power-fail compare disabled                    |
| 1       | Power-fail compare enabled                     |

|         |                                                                            |
|---------|----------------------------------------------------------------------------|
| ADA0PFC | Selection of power-fail compare mode                                       |
| 0       | Generates an interrupt request signal (INTAD) when $ADA0CRnH \geq ADA0PFT$ |
| 1       | Generates an interrupt request signal (INTAD) when $ADA0CRnH < ADA0PFT$    |

- Cautions 1.** In the select mode, the 8-bit data set to the ADA0PFT register is compared with the value of the ADA0CRnH register specified by the ADA0S register. If the result matches the condition specified by the ADA0PFC bit, the conversion result is stored in the ADA0CRn register and the INTAD signal is generated. If it does not match, however, the interrupt signal is not generated.
- 2.** In the scan mode, the 8-bit data set to the ADA0PFT register is compared with the contents of the ADA0CR0H register. If the result matches the condition specified by the ADA0PFC bit, the conversion result is stored in the ADA0CR0 register and the INTAD signal is generated. If it does not match, however, the INTAD signal is not generated. Regardless of the comparison result, the scan operation is continued and the conversion result is stored in the ADA0CRn register until the scan operation is completed. However, the INTAD signal is not generated after the scan operation has been completed.
- 3.** Stop the A/D conversion operation ( $ADA0M0.ADA0CE = 0$ ) before writing to the ADA0PFM register in either of the following modes, then enable the A/D conversion operation ( $ADA0CE = 1$ ).
- Normal conversion mode
  - One-shot select mode/one-shot scan mode in high-speed conversion mode

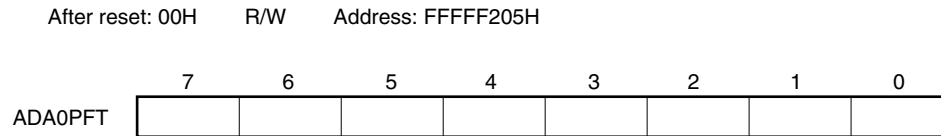
<R>

**(7) Power-fail compare threshold value register (ADA0PFT)**

The ADA0PFT register sets the compare value in the power-fail compare mode.

This register can be read or written in 8-bit or 1-bit units.

Reset sets this register to 00H.



<R>

**Caution** Stop the A/D conversion operation ( $ADA0M0.ADA0CE = 0$ ) before writing to the ADA0PFT register in either of the following modes, then enable the A/D conversion operation ( $ADA0CE = 1$ ).

- Normal conversion mode
- One-shot select mode/one-shot scan mode in high-speed conversion mode

## 11.5 Operation

### 11.5.1 Basic operation

- <1> Set the operation mode, trigger mode, and conversion time for executing A/D conversion by using the ADA0M0, ADA0M1, ADA0M2, and ADA0S registers. When the ADA0M0.ADA0CE bit are set, conversion is started in the software trigger mode and the A/D converter waits for a trigger in the external or timer trigger mode.
- <2> When A/D conversion is started, the voltage input to the selected analog input channel is sampled by the sample & hold circuit.
- <3> When the sample & hold circuit samples the input channel for a specific time, it enters the hold status, and holds the input analog voltage until A/D conversion is complete.
- <4> Set bit 9 of the successive approximation register (SAR). The tap selector selects (1/2)  $AV_{REF0}$  as the voltage tap of the series resistor string.
- <5> The voltage difference between the voltage of the series resistor string and the analog input voltage is compared by the voltage comparator. If the analog input voltage is higher than (1/2)  $AV_{REF0}$ , the MSB of the SAR register remains set. If it is lower than (1/2)  $AV_{REF0}$ , the MSB is reset.
- <6> Next, bit 8 of the SAR register is automatically set and the next comparison is started. Depending on the value of bit 9, to which a result has been already set, the voltage tap of the series resistor string is selected as follows.
- Bit 9 = 1: (3/4)  $AV_{REF0}$
  - Bit 9 = 0: (1/4)  $AV_{REF0}$
- This voltage tap and the analog input voltage are compared and, depending on the result, bit 8 is manipulated as follows.
- Analog input voltage  $\geq$  Voltage tap: Bit 8 = 1  
 Analog input voltage  $\leq$  Voltage tap: Bit 8 = 0
- <7> This comparison is continued to bit 0 of the SAR register.
- <8> When comparison of the 10 bits is complete, the valid digital result is stored in the SAR register, which is then transferred to and stored in the ADA0CRn register. After that, an A/D conversion end interrupt request signal (INTAD) is generated.
- <9> In one-shot select mode, conversion is stopped<sup>Note</sup>. In one-shot scan mode, conversion is stopped after scanning once<sup>Note</sup>. In continuous select mode, repeat steps <2> to <8> until the ADA0M0.ADA0CE bit is cleared to 0. In continuous scan mode, repeat steps <2> to <8> for each channel.

**Note** In the external trigger mode, timer trigger mode 0, or timer trigger mode 1, the trigger standby status is entered.

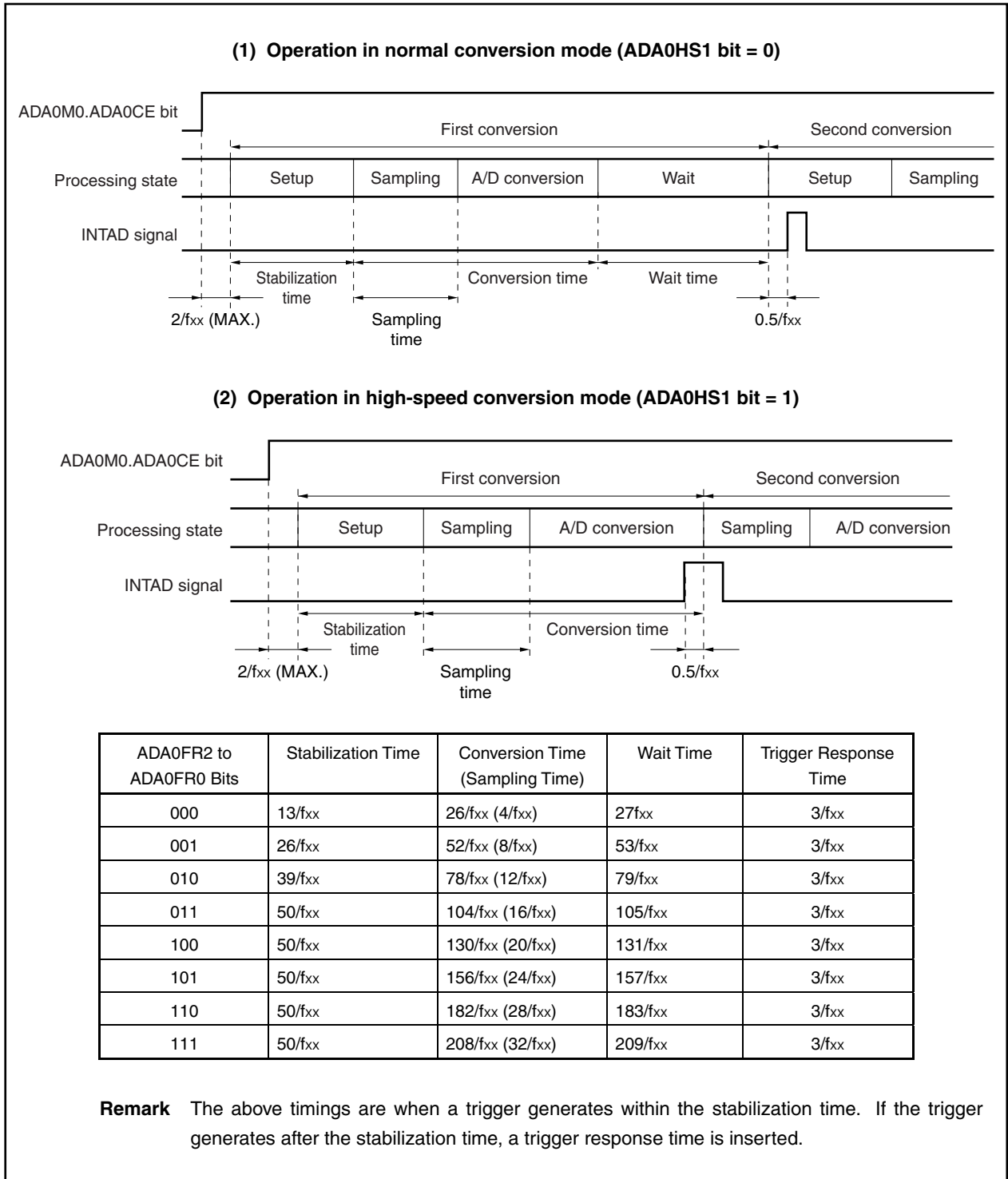
<R> **Remark** The trigger standby status means the status after the stabilization time has elapsed.



11.5.2 Conversion operation timing

<R>

Figure 11-3. Conversion Operation Timing (Continuous Conversion)



### 11.5.3 Trigger mode

The timing of starting the conversion operation is specified by setting a trigger mode. The trigger mode includes a software trigger mode and hardware trigger modes. The hardware trigger modes include timer trigger modes 0 and 1, and external trigger mode. The ADA0M0.ADA0TMD bit is used to set the trigger mode. The hardware trigger modes are set by the ADA0M2.ADA0TMD1 and ADA0M2.ADA0TMD0 bits.

#### (1) Software trigger mode

When the ADA0M0.ADA0CE bit is set to 1, the signal of the analog input pin (ANI0 to ANI11 pin) specified by the ADA0S register is converted. When conversion is complete, the result is stored in the ADA0CRn register. At the same time, the A/D conversion end interrupt request signal (INTAD) is generated.

If the operation mode specified by the ADA0M0.ADA0MD1 and ADA0M0.ADA0MD0 bits is the continuous select/scan mode, the next conversion is started, unless the ADA0CE bit is cleared to 0 after completion of the first conversion. Conversion is performed once and ends if the operation mode is the one-shot select/scan mode.

When conversion is started, the ADA0M0.ADA0EF bit is set to 1 (indicating that conversion is in progress).

If the ADA0M0, ADA0M2, ADA0S, ADA0PFM, or ADA0PFT register is written during conversion, the conversion is aborted and started again from the beginning. However, writing to these registers is prohibited in the normal conversion mode and one-shot select mode/one-shot scan mode of the high-speed conversion mode.

&lt;R&gt;

#### (2) External trigger mode

In this mode, converting the signal of the analog input pin (ANI0 to ANI11) specified by the ADA0S register is started when an external trigger is input (to the ADTRG pin). Which edge of the external trigger is to be detected (i.e., the rising edge, falling edge, or both rising and falling edges) can be specified by using the ADA0M0.ADA0ETS1 and ADA0M0.ATA0ETS0 bits. When the ADA0CE bit is set to 1, the A/D converter waits for the trigger, and starts conversion after the external trigger has been input.

When conversion is completed, the result of conversion is stored in the ADA0CRn register, regardless of whether the continuous select, continuous scan, one-shot select, or one-shot scan mode is set as the operation mode by the ADA0MD1 and ADA0MD0 bits. At the same time, the INTAD signal is generated, and the A/D converter waits for the trigger again.

When conversion is started, the ADA0EF bit is set to 1 (indicating that conversion is in progress). While the A/D converter is waiting for the trigger, however, the ADA0EF bit is cleared to 0 (indicating that conversion is stopped). If the valid trigger is input during the conversion operation, the conversion is aborted and started again from the beginning.

If the ADA0M0, ADA0M2, ADA0S, ADA0PFM, or ADA0PFT register is written during the conversion operation, the conversion is not aborted, and the A/D converter waits for the trigger again. However, writing to these registers is prohibited in the one-shot select mode/one-shot scan mode.

&lt;R&gt;

<R> **Caution** When the external trigger mode is selected, set the high-speed conversion mode. Do not input a trigger during stabilization time that is inserted only once after the A/D conversion operation is enabled (ADA0M0.ADA0CE bit = 1).

<R> **Remark** The trigger standby status means the status after the stabilization time has elapsed.

**(3) Timer trigger mode**

In this mode, converting the signal of the analog input pin (ANI0 to ANI11) specified by the ADA0S register is started by the compare match interrupt request signal (INTTP2CC0 or INTTP2CC1) of the capture/compare register connected to the timer. The INTTP2CC0 or INTTP2CC1 signal is selected by the ADA0TMD1 and ADA0TMD0 bits, and conversion is started at the rising edge of the specified compare match interrupt request signal. When the ADA0CE bit is set to 1, the A/D converter waits for a trigger, and starts conversion when the compare match interrupt request signal of the timer is input.

When conversion is completed, regardless of whether the continuous select, continuous scan, one-shot select, or one-shot scan mode is set as the operation mode by the ADA0MD1 and ADA0MD0 bits, the result of the conversion is stored in the ADA0CRn register. At the same time, the INTAD signal is generated, and the A/D converter waits for the trigger again.

When conversion is started, the ADA0EF bit is set to 1 (indicating that conversion is in progress). While the A/D converter is waiting for the trigger, however, the ADA0EF bit is cleared to 0 (indicating that conversion is stopped). If the valid trigger is input during the conversion operation, the conversion is aborted and started again from the beginning.

&lt;R&gt;

If the ADA0M0, ADA0M2, ADA0S, ADA0PFM, or ADA0PFT register is written during conversion, the conversion is stopped and the A/D converter waits for the trigger again. However, writing to these registers is prohibited in the one-shot select mode/one-shot scan mode.

&lt;R&gt;

**Caution** When the external trigger mode is selected, set the high-speed conversion mode. Do not input a trigger during stabilization time that is inserted only once after the A/D conversion operation is enabled (ADA0M0.ADA0CE bit = 1).

&lt;R&gt;

**Remark** The trigger standby status means the status after the stabilization time has elapsed.

### 11.5.4 Operation mode

Four operation modes are available as the modes in which to set the ANI0 to ANI11 pins: continuous select mode, continuous scan mode, one-shot select mode, and one-shot scan mode.

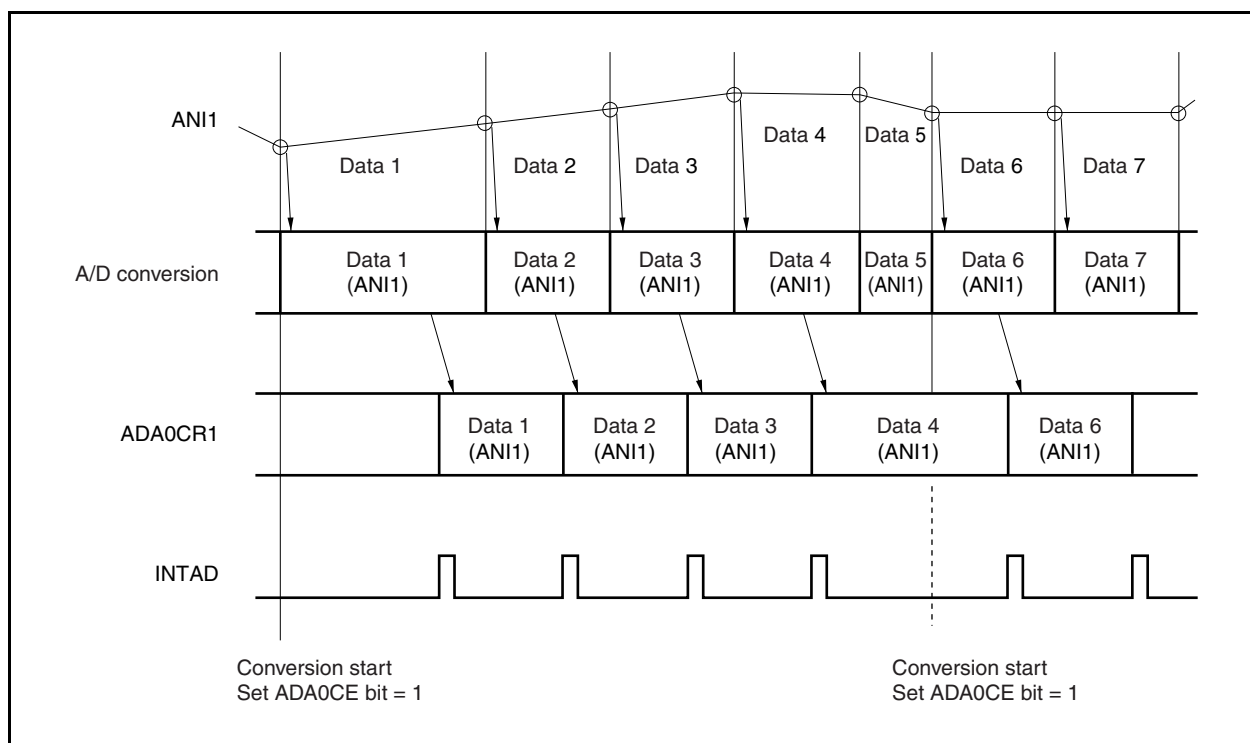
The operation mode is selected by the ADA0M0.ADA0MD1 and ADA0M0.ADA0MD0 bits.

#### (1) Continuous select mode

In this mode, the voltage of one analog input pin selected by the ADA0S register is continuously converted into a digital value.

The conversion result is stored in the ADA0CRn register corresponding to the analog input pin. In this mode, an analog input pin corresponds to an ADA0CRn register on a one-to-one basis. Each time A/D conversion is completed, the A/D conversion end interrupt request signal (INTAD) is generated. After completion of conversion, the next conversion is started, unless the ADA0M0.ADA0CE bit is cleared to 0 (n = 0 to 11).

Figure 11-4. Timing Example of Continuous Select Mode Operation (ADA0S Register = 01H)

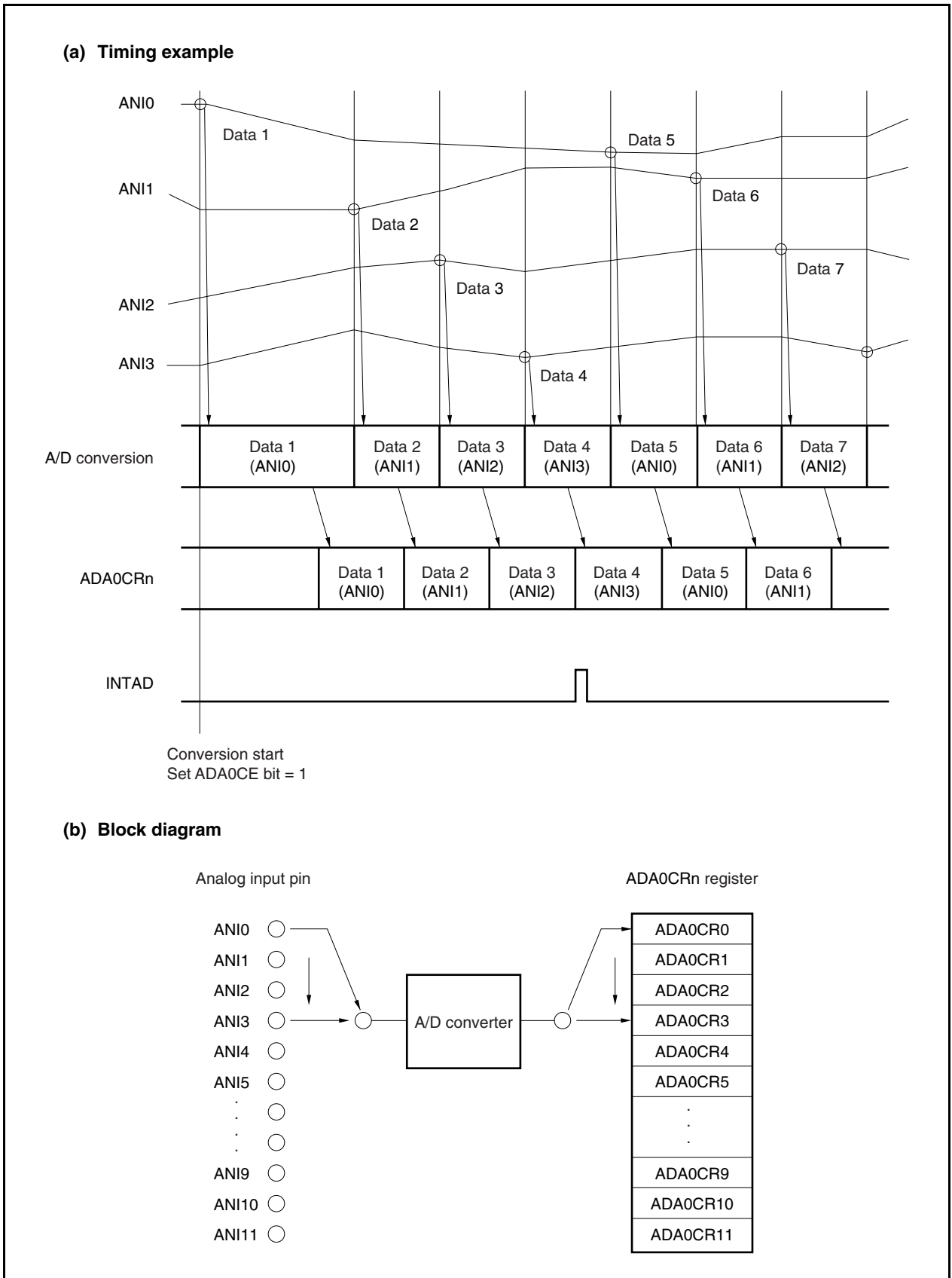


#### (2) Continuous scan mode

In this mode, analog input pins are sequentially selected, from the ANI0 pin to the pin specified by the ADA0S register, and their values are converted into digital values.

The result of each conversion is stored in the ADA0CRn register corresponding to the analog input pin. When conversion of the analog input pin specified by the ADA0S register is complete, the INTAD signal is generated, and A/D conversion is started again from the ANI0 pin, unless the ADA0CE bit is cleared to 0 (n = 0 to 11).

Figure 11-5. Timing Example of Continuous Scan Mode Operation (ADA0S Register = 03H)

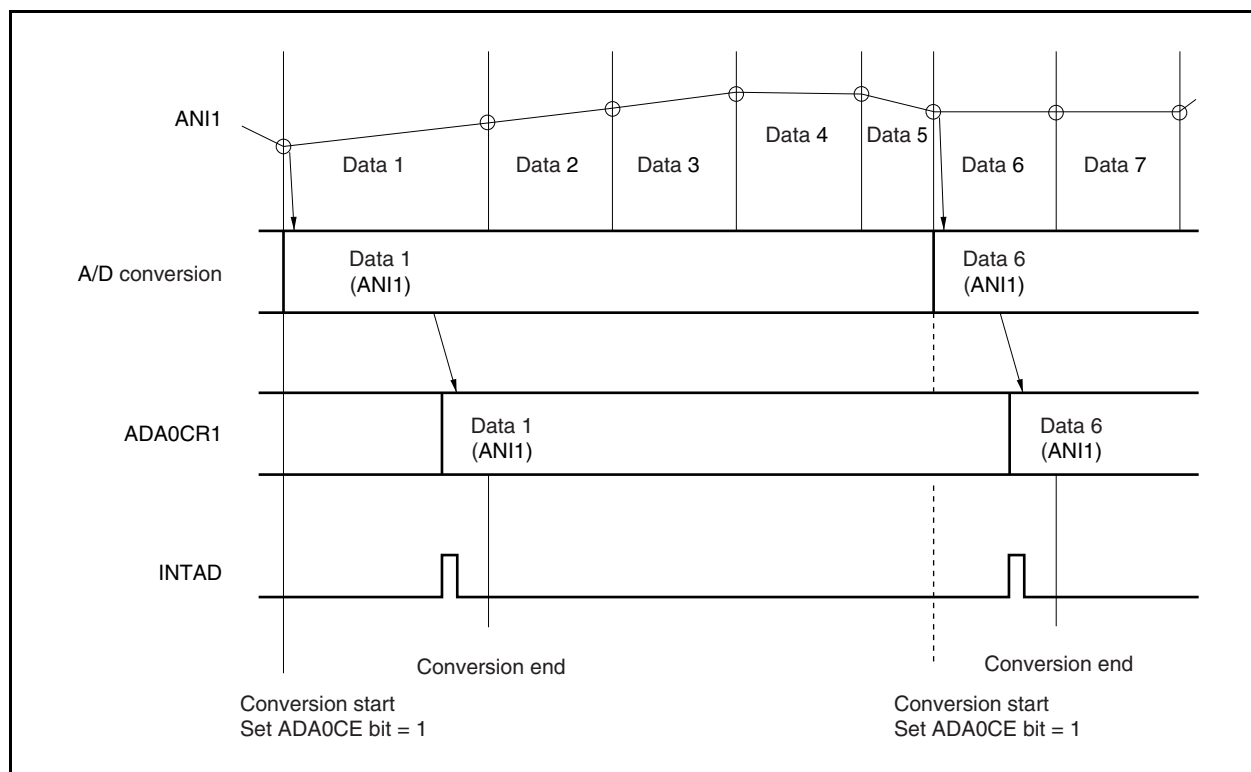


**(3) One-shot select mode**

In this mode, the voltage on the analog input pin specified by the ADA0S register is converted into a digital value only once.

The conversion result is stored in the ADA0CRn register corresponding to the analog input pin. In this mode, an analog input pin and an ADA0CRn register correspond on a one-to-one basis. When A/D conversion has been completed once, the INTAD signal is generated. The A/D conversion operation is stopped after it has been completed ( $n = 0$  to 11).

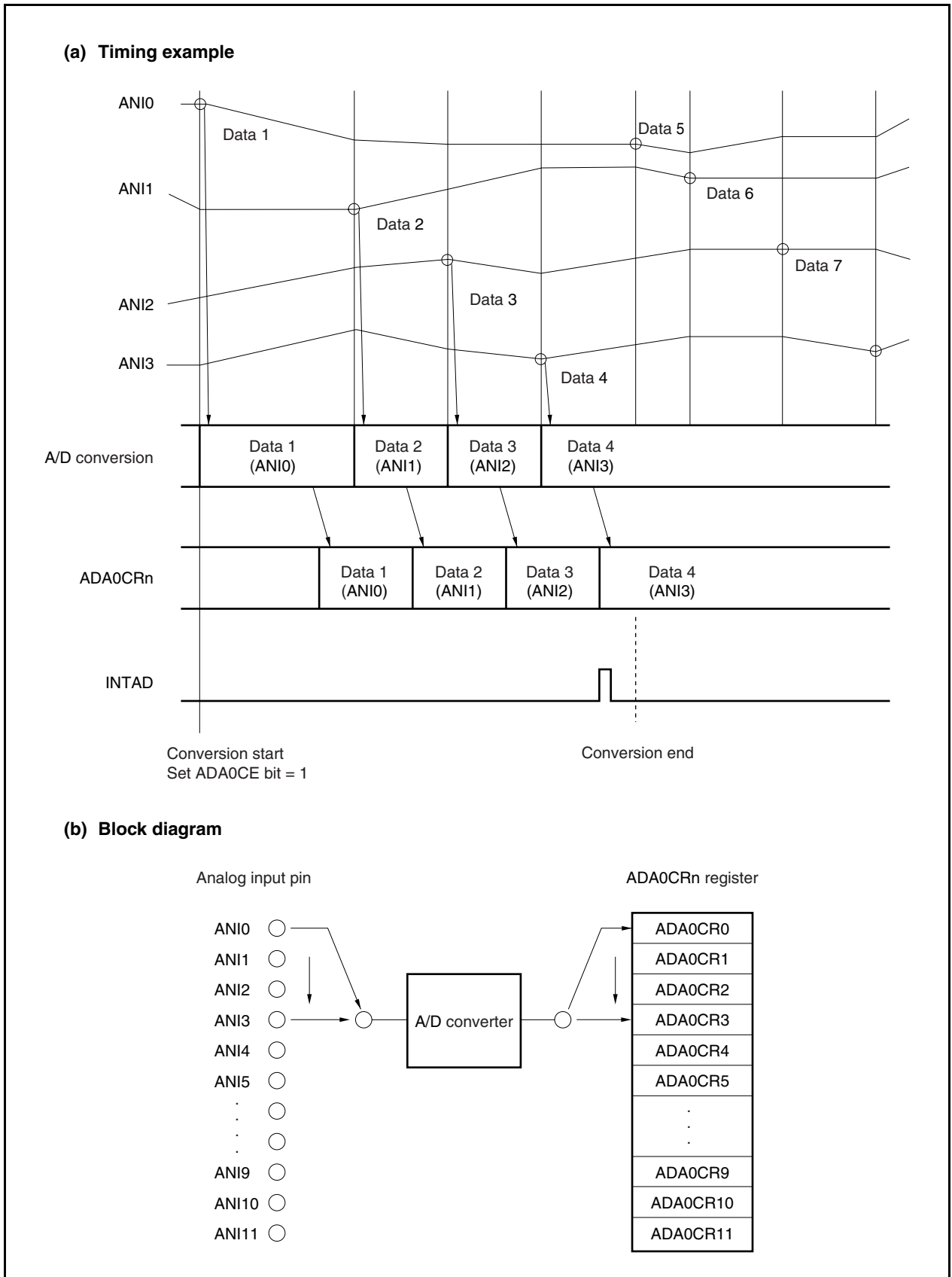
**Figure 11-6. Timing Example of One-Shot Select Mode Operation (ADA0S Register = 01H)**

**(4) One-shot scan mode**

In this mode, analog input pins are sequentially selected, from the ANI0 pin to the pin specified by the ADA0S register, and their values are converted into digital values .

Each conversion result is stored in the ADA0CRn register corresponding to the analog input pin. When conversion of the analog input pin specified by the ADA0S register is complete, the INTAD signal is generated. A/D conversion is stopped after it has been completed ( $n = 0$  to 11).

Figure 11-7. Timing Example of One-Shot Scan Mode Operation (ADA0S Register = 03H)



### 11.5.5 Power-fail compare mode

The A/D conversion end interrupt request signal (INTAD) can be controlled as follows by the ADA0PFM and ADA0PFT registers.

- When the ADA0PFM.ADA0PFE bit = 0, the INTAD signal is generated each time conversion is completed (normal use of the A/D converter).
- When the ADA0PFE bit = 1 and when the ADA0PFM.ADA0PFC bit = 0, the value of the ADA0CRnH register is compared with the value of the ADA0PFT register when conversion is completed, and the INTAD signal is generated only if  $ADA0CRnH \geq ADA0PFT$ .
- When the ADA0PFE bit = 1 and when the ADA0PFC bit = 1, the value of the ADA0CRnH register is compared with the value of the ADA0PFT register when conversion is completed, and the INTAD signal is generated only if  $ADA0CRnH < ADA0PFT$ .

**Remark** n = 0 to 11

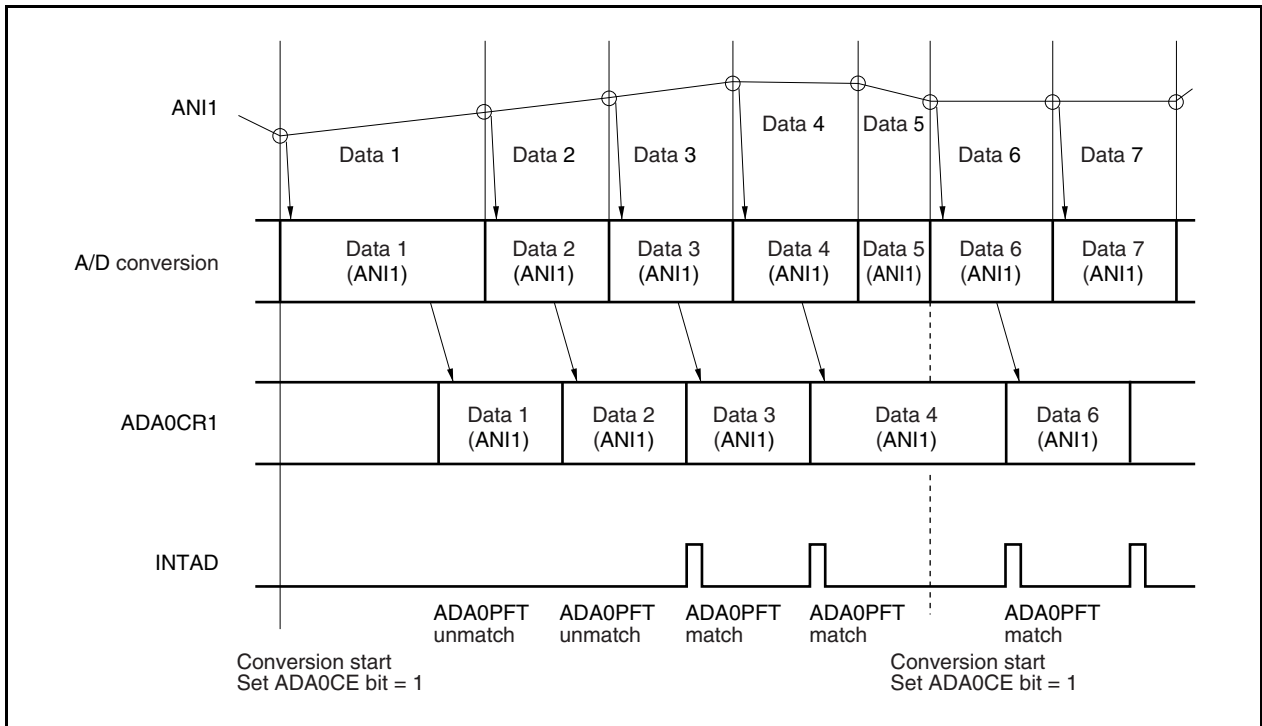
In the power-fail compare mode, four modes are available as modes in which to set the ANI0 to ANI11 pins: continuous select mode, continuous scan mode, one-shot select mode, and one-shot scan mode.



**(1) Continuous select mode**

In this mode, the result of converting the voltage of the analog input pin specified by the ADA0S register is compared with the set value of the ADA0PFT register. If the result of power-fail comparison matches the condition set by the ADA0PFC bit, the conversion result is stored in the ADA0CRn register, and the INTAD signal is generated. If it does not match, the conversion result is stored in the ADA0CRn register, and the INTAD signal is not generated. After completion of the first conversion, the next conversion is started, unless the ADA0M0.ADA0CE bit is cleared to 0 (n = 0 to 11).

**Figure 11-8. Timing Example of Continuous Select Mode Operation  
(When Power-Fail Comparison Is Made: ADA0S Register = 01H)**

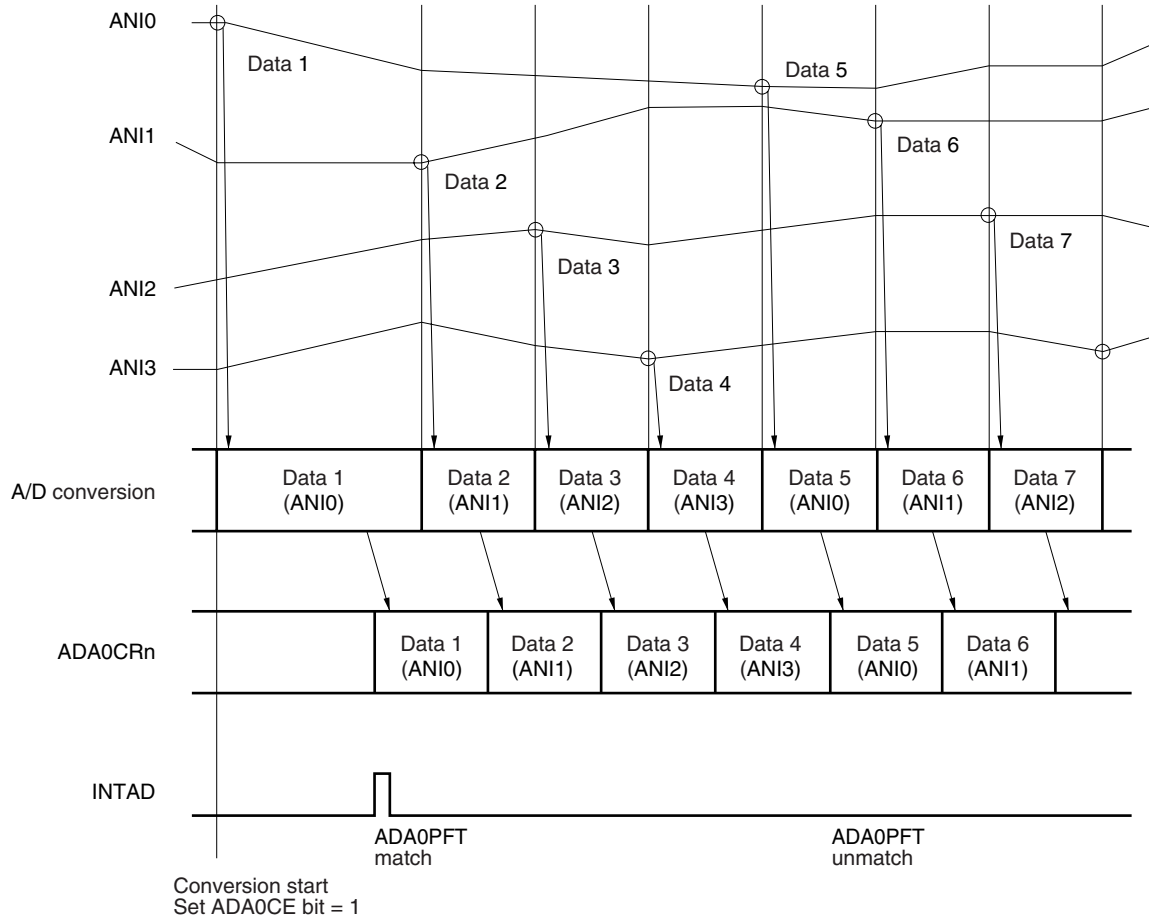
**(2) Continuous scan mode**

In this mode, the results of converting the voltages of the analog input pins sequentially selected from the ANI0 pin to the pin specified by the ADA0S register are stored, and the set value of the ADA0CR0H register of channel 0 is compared with the value of the ADA0PFT register. If the result of power-fail comparison matches the condition set by the ADA0PFC bit, the conversion result is stored in the ADA0CR0 register, and the INTAD signal is generated. If it does not match, the conversion result is stored in the ADA0CR0 register, and the INTAD signal is not generated.

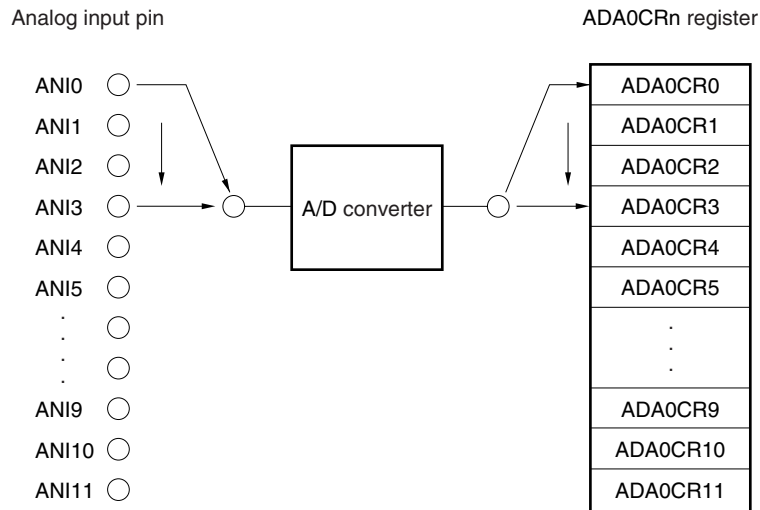
After the result of the first conversion has been stored in the ADA0CR0 register, the results of sequentially converting the voltages on the analog input pins up to the pin specified by the ADA0S register are continuously stored. After completion of conversion, the next conversion is started from the ANI0 pin again, unless the ADA0CE bit is cleared to 0.

**Figure 11-9. Timing Example of Continuous Scan Mode Operation  
(When Power-Fail Comparison Is Made: ADA0S Register = 03H)**

**(b) Timing example**



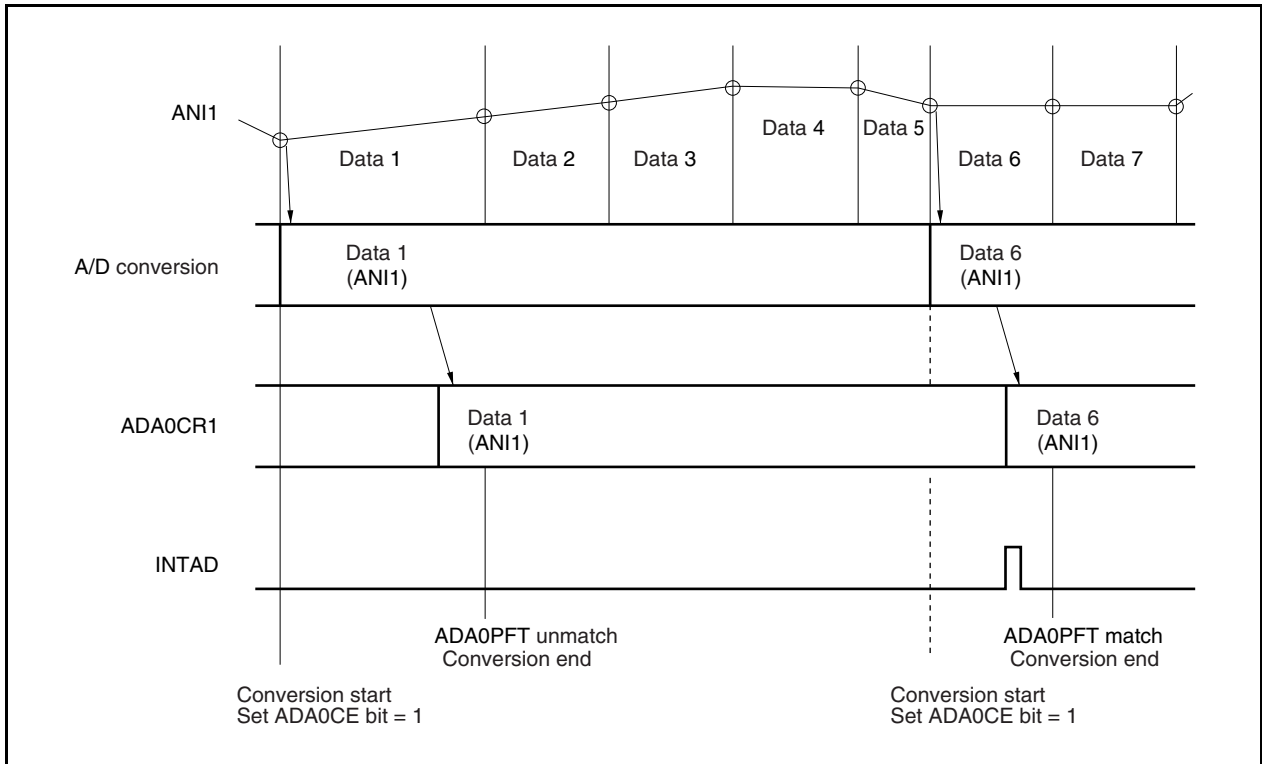
**(b) Block diagram**



**(3) One-shot select mode**

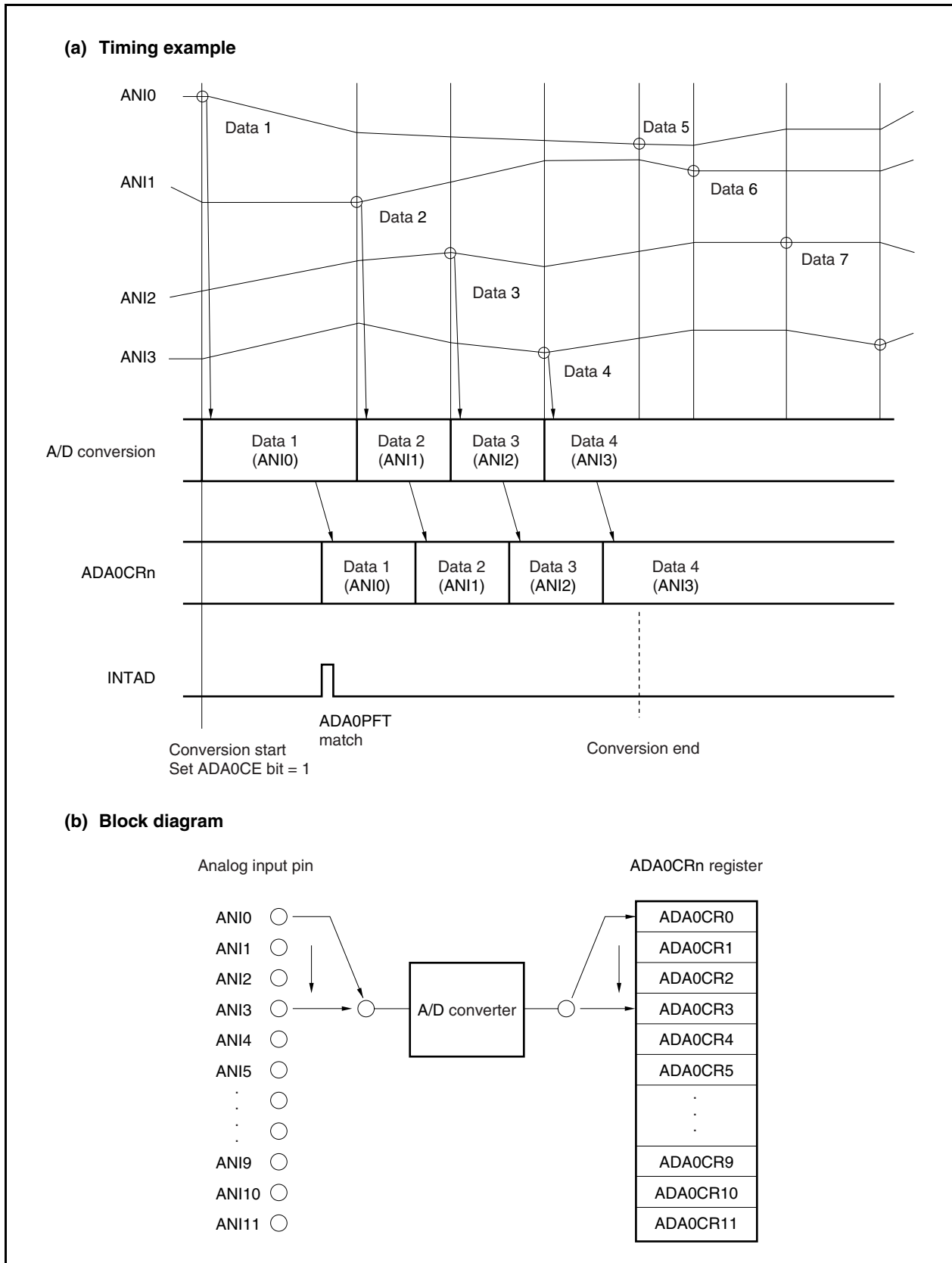
In this mode, the result of converting the voltage of the analog input pin specified by the ADA0S register is compared with the set value of the ADA0PFT register. If the result of power-fail comparison matches the condition set by the ADA0PFC bit, the conversion result is stored in the ADA0CRn register, and the INTAD signal is generated. If it does not match, the conversion result is stored in the ADA0CRn register, and the INTAD signal is not generated. Conversion is stopped after it has been completed.

**Figure 11-10. Timing Example of One-Shot Select Mode Operation  
(When Power-Fail Comparison Is Made: ADA0S Register = 01H)**

**(4) One-shot scan mode**

In this mode, the results of converting the voltages of the analog input pins sequentially selected from the ANI0 pin to the pin specified by the ADA0S register are stored, and the set value of the ADA0CR0H register of channel 0 is compared with the set value of the ADA0PFT register. If the result of power-fail comparison matches the condition set by the ADA0PFC bit, the conversion result is stored in the ADA0CR0 register and the INTAD signal is generated. If it does not match, the conversion result is stored in the ADA0CR0 register, and the INTAD0 signal is not generated. After the result of the first conversion has been stored in the ADA0CR0 register, the results of converting the signals on the analog input pins specified by the ADA0S register are sequentially stored. The conversion is stopped after it has been completed.

**Figure 11-11. Timing Example of One-Shot Scan Mode Operation  
(When Power-Fail Comparison Is Made: ADA0S Register = 03H)**



## 11.6 Cautions

### (1) When A/D converter is not used

When the A/D converter is not used, the power consumption can be reduced by clearing the ADA0M0.ADA0CE bit to 0.

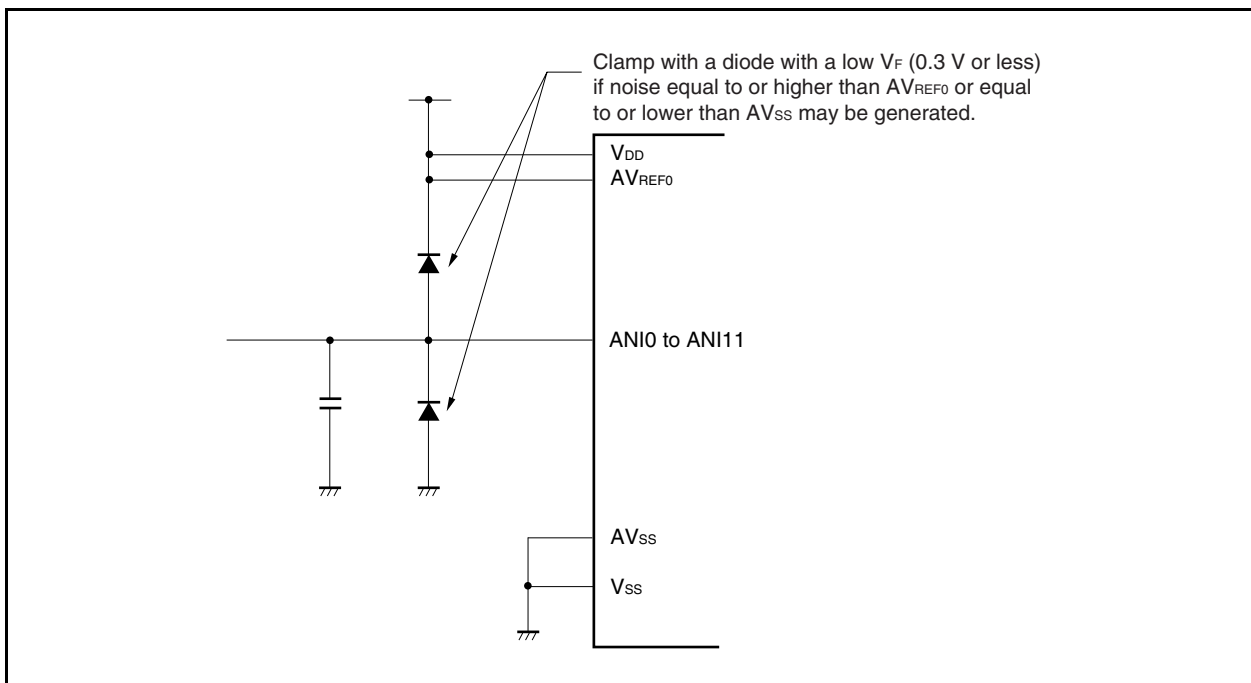
### (2) Input range of ANI0 to ANI11 pins

Input the voltage within the specified range to the ANI0 to ANI11 pins. If a voltage equal to or higher than  $AV_{REF0}$  or equal to or lower than  $AV_{SS}$  (even within the range of the absolute maximum ratings) is input to any of these pins, the conversion value of that channel is undefined, and the conversion value of the other channels may also be affected.

### (3) Countermeasures against noise

To maintain the 10-bit resolution, the ANI0 to ANI11 pins must be effectively protected from noise. The influence of noise increases as the output impedance of the analog input source becomes higher. To lower the noise, connecting an external capacitor as shown in Figure 11-12 is recommended.

Figure 11-12. Processing of Analog Input Pin



**<R> (4) Alternate I/O**

The analog input (ANI0 to ANI11) pins are multiplexed with port pins. The  $AV_{REF0}$  power pin is multiplexed with the reference power supply to the A/D converter and the I/O buffer power supply of port 7. If any of the following processings is performed during A/D conversion, therefore, the expected A/D conversion value may not be obtained.

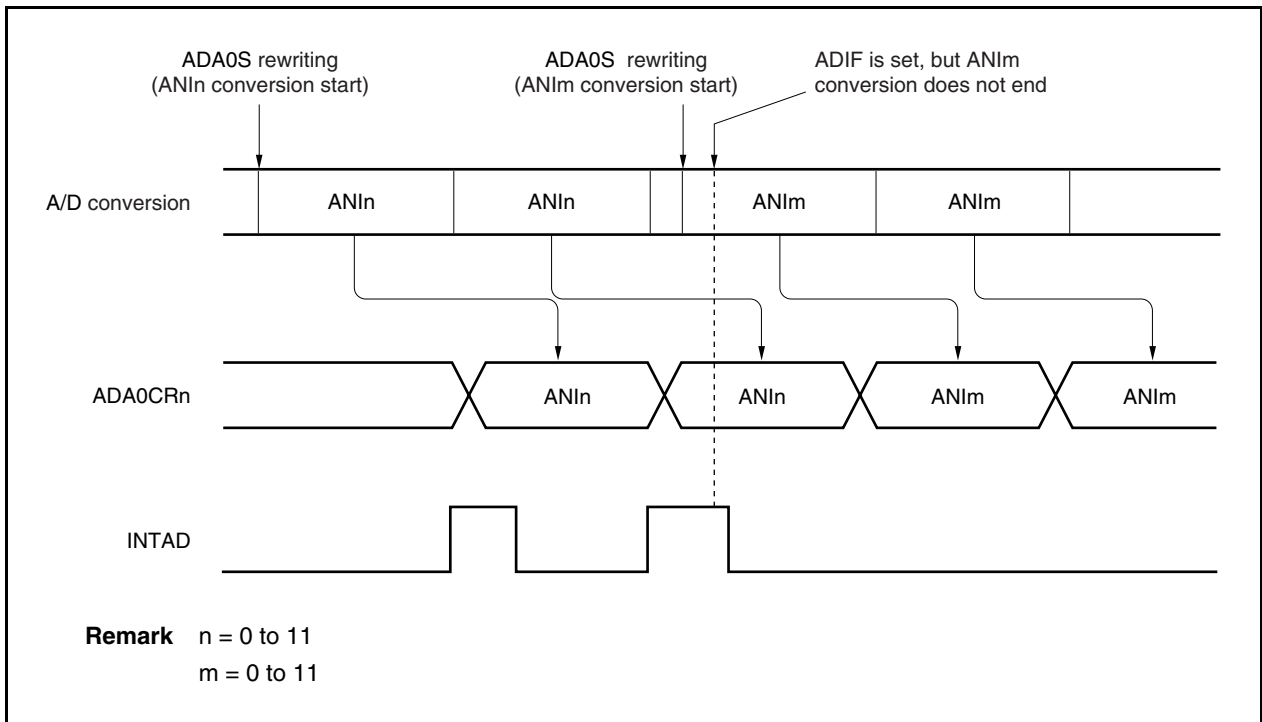
- (a) If a digital pulse is applied to a pin adjacent to a pin whose input analog signal is converted into a digital signal (for example, P72 and P74 pins during ANI3 conversion) (cause: influence of coupling noise)
- (b) If  $AV_{REF0}$  power supply fluctuates as a result of executing an instruction to read the P7H or P7L register to the input port during A/D conversion or an instruction to write data to the output port (cause: influence on the  $AV_{REF0}$  power supply)
- (c) If a current flows through a pin of port 7 (P70 to P711) that is set in the output mode because of the influence of the external circuit connected to the port pin and, as a result, the  $AV_{REF0}$  power supply fluctuates (cause: influence on the  $AV_{REF0}$  power supply)

If there is a possibility that any of the above processings may be executed during A/D conversion, be sure to execute A/D conversion more than once, check the A/D conversion value, and eliminate any abnormal value by program.

**(5) Interrupt request flag (ADIF)**

The interrupt request flag (ADIF) is not cleared even if the contents of the ADA0S register are changed. If the analog input pin is changed during A/D conversion, therefore, the result of converting the previously selected analog input signal may be stored and the conversion end interrupt request flag may be set immediately before the ADA0S register is rewritten. If the ADIF flag is read immediately after the ADA0S register is rewritten, the ADIF flag may be set even though the A/D conversion of the newly selected analog input pin has not been completed. When A/D conversion is stopped, clear the ADIF flag before resuming conversion.

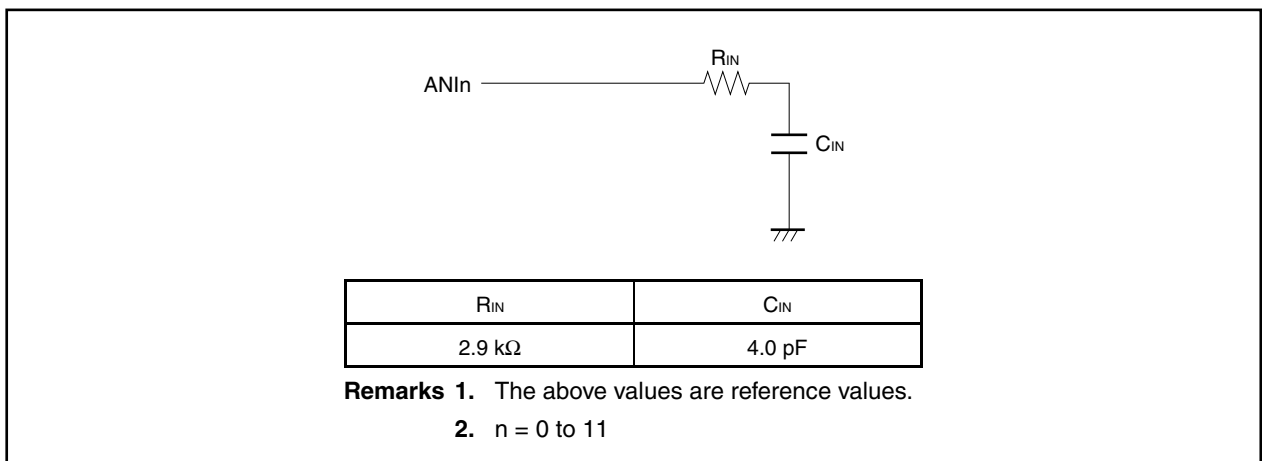
**Figure 11-13. Generation Timing of A/D Conversion End Interrupt Request**



**(6) Internal equivalent circuit**

The following shows the equivalent circuit of the analog input block.

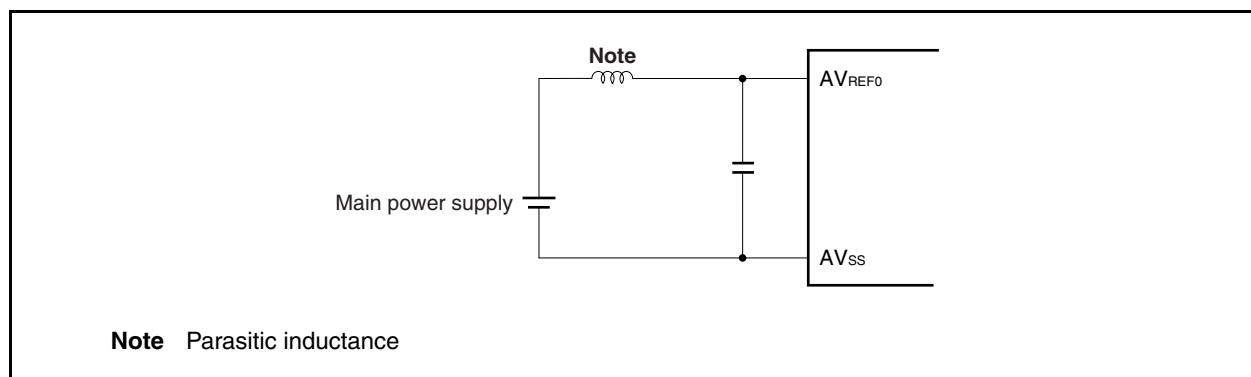
**Figure 11-14. Internal Equivalent Circuit of ANIn Pin**



<R>

**(7) AV<sub>REF0</sub> pin**

- (a) The AV<sub>REF0</sub> pin is used as the power supply pin of the A/D converter and also supplies power to the alternate-function ports. In an application where a backup power supply is used, be sure to supply the same voltage as V<sub>DD</sub> to the AV<sub>REF0</sub> pin as shown in Figure 11-15.
- (b) The AV<sub>REF0</sub> pin is also used as the reference voltage pin of the A/D converter. If the source supplying power to the AV<sub>REF0</sub> pin has a high impedance or if the power supply has a low current supply capability, the reference voltage may fluctuate due to the current that flows during conversion (especially, immediately after the conversion operation enable bit ADA0CE has been set to 1). As a result, the conversion accuracy may drop. To avoid this, it is recommended to connect a capacitor across the AV<sub>REF0</sub> and AV<sub>SS</sub> pins to suppress the reference voltage fluctuation as shown in Figure 11-15.
- (c) If the source supplying power to the AV<sub>REF0</sub> pin has a high DC resistance (for example, because of insertion of a diode), the voltage when conversion is enabled may be lower than the voltage when conversion is stopped, because of a voltage drop caused by the A/D conversion current.

**Figure 11-15. AV<sub>REF0</sub> Pin Processing Example****<R> (8) Reading ADA0CRn register**

When the ADA0M0 to ADA0M2, ADA0S, ADA0PFM, or ADA0PFT register is written, the contents of the ADA0CRn register may be undefined. Read the conversion result after completion of conversion and before writing to the ADA0M0 to ADA0M2, ADA0S, ADA0PFM, or ADA0PFT register. Also, when an external/timer trigger is acknowledged, the contents of the ADA0CRn register may be undefined. Read the conversion result after completion of conversion and before the next external/timer trigger is acknowledged. The correct conversion result may not be read at a timing different from the above.

**(9) Standby mode**

Because the A/D converter stops operating in the STOP mode, conversion results are invalid, so power consumption can be reduced. Operations are resumed after the STOP mode is released, but the A/D conversion results after the STOP mode is released are invalid. When using the A/D converter after the STOP mode is released, before setting the STOP mode or releasing the STOP mode, clear the ADA0M0.ADA0CE bit to 0 then set the ADA0CE bit to 1 after releasing the STOP mode.

In the IDLE1, IDLE2, or subclock operation mode, operation continues. To lower the power consumption, therefore, clear the ADA0M0.ADA0CE bit to 0. In the IDLE1 and IDLE2 modes, since the analog input voltage value cannot be retained, the A/D conversion results after the IDLE1 and IDLE2 modes are released are invalid. The results of conversions before the IDLE1 and IDLE2 modes were set are valid.



&lt;R&gt;

**(10) Restriction for each mode**

- (a) When the external trigger mode or timer trigger mode is selected, set the high-speed conversion mode. Do not input a trigger during stabilization time that is inserted only once after the A/D conversion operation is enabled (ADA0M0.ADA0CE bit = 1).
- (b) Stop the A/D conversion operation (ADA0M0.ADA0CE = 0) before writing to the ADA0PFT register in either of the following modes, then enable the A/D conversion operation (ADA0CE = 1).
  - Normal conversion mode
  - One-shot select mode/one-shot scan mode in high-speed conversion mode

**Remark** A/D control registers: ADA0M0, ADA0M2, ADA0S, ADA0PFM, and ADA0PFT registers

**(11) Variation of A/D conversion results**

The results of the A/D conversion may vary depending on the fluctuation of the supply voltage, or may be affected by noise. To reduce the variation, take counteractive measures with the program such as averaging the A/D conversion results.

**(12) A/D conversion result hysteresis characteristics**

The successive comparison type A/D converter holds the analog input voltage in the internal sample & hold capacitor and then performs A/D conversion. After the A/D conversion has finished, the analog input voltage remains in the internal sample & hold capacitor. As a result, the following phenomena may occur.

- When the same channel is used for A/D conversions, if the voltage is higher or lower than the previous A/D conversion, then hysteresis characteristics may appear where the conversion result is affected by the previous value. Thus, even if the conversion is performed at the same potential, the result may vary.
- When switching the analog input channel, hysteresis characteristics may appear where the conversion result is affected by the previous channel value. This is because one A/D converter is used for the A/D conversions. Thus, even if the conversion is performed at the same potential, the result may vary.

## 11.7 How to Read A/D Converter Characteristics Table

This section describes the terms related to the A/D converter.

### (1) Resolution

The minimum analog input voltage that can be recognized, i.e., the ratio of an analog input voltage to 1 bit of digital output is called 1 LSB (least significant bit). The ratio of 1 LSB to the full scale is expressed as %FSR (full-scale range). %FSR is the ratio of a range of convertible analog input voltages expressed as a percentage, and can be expressed as follows, independently of the resolution.

$$\begin{aligned} 1\%FSR &= (\text{Maximum value of convertible analog input voltage} - \text{Minimum value of convertible analog input voltage})/100 \\ &= (AV_{REF0} - 0)/100 \\ &= AV_{REF0}/100 \end{aligned}$$

When the resolution is 10 bits, 1 LSB is as follows:

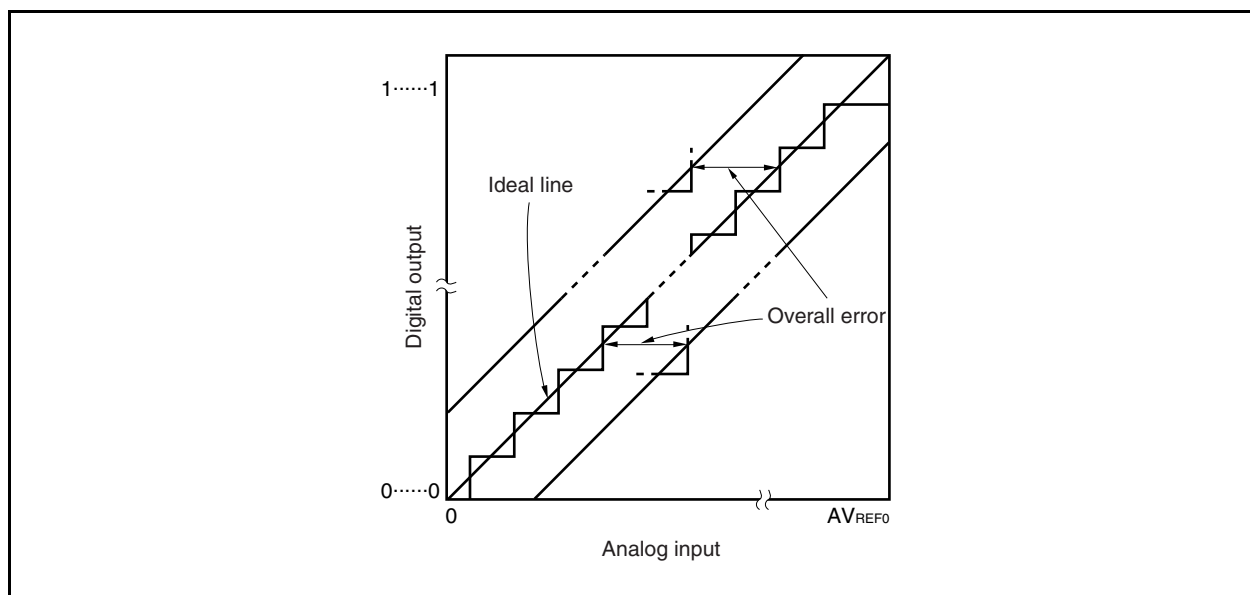
$$\begin{aligned} 1 \text{ LSB} &= 1/2^{10} = 1/1,024 \\ &= 0.098\%FSR \end{aligned}$$

The accuracy is determined by the overall error, independently of the resolution.

### (2) Overall error

This is the maximum value of the difference between an actually measured value and a theoretical value. It is a total of zero-scale error, full-scale error, linearity error, and a combination of these errors. The overall error in the characteristics table does not include the quantization error.

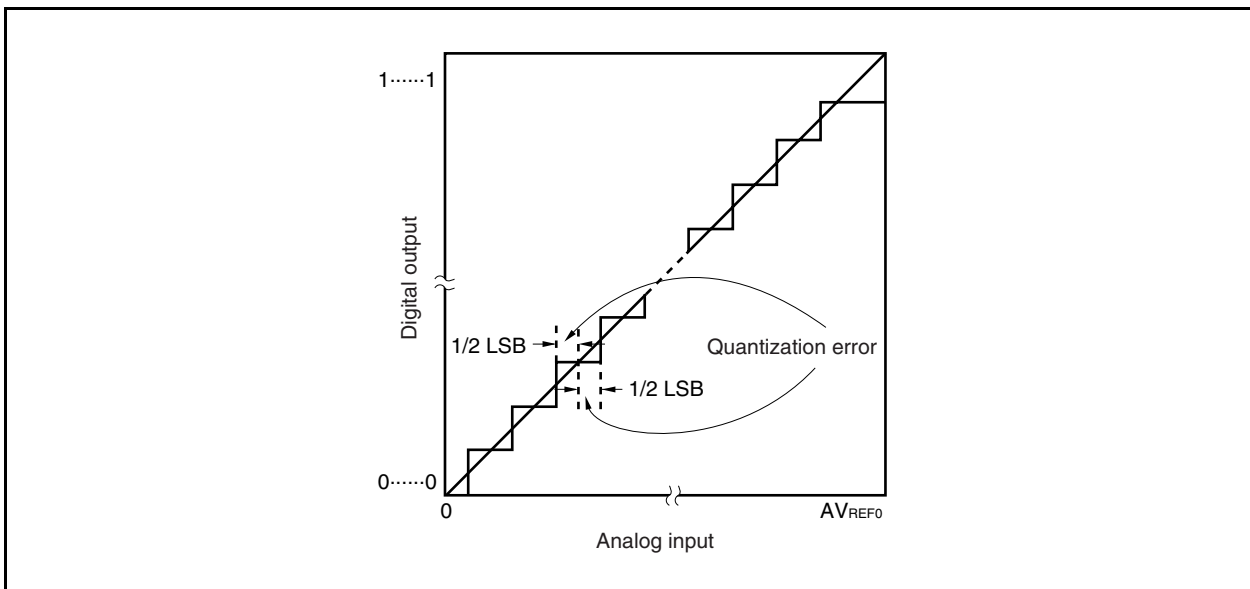
Figure 11-16. Overall Error



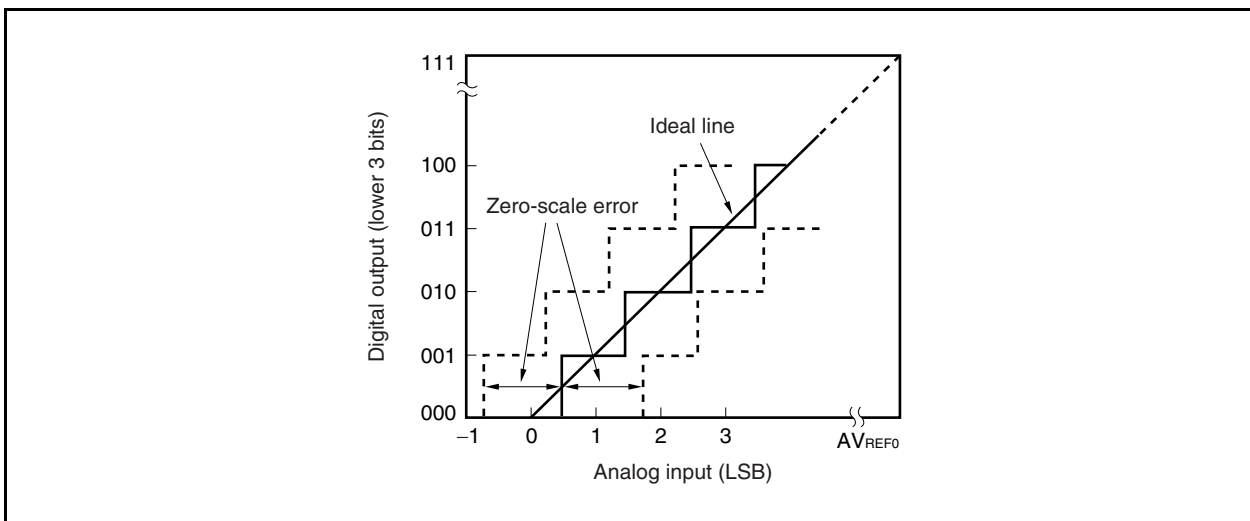
**(3) Quantization error**

This is an error of  $\pm 1/2$  LSB that inevitably occurs when an analog value is converted into a digital value. Because the A/D converter converts analog input voltages in a range of  $\pm 1/2$  LSB into the same digital codes, a quantization error is unavoidable.

This error is not included in the overall error, zero-scale error, full-scale error, integral linearity error, or differential linearity error in the characteristics table.

**Figure 11-17. Quantization Error****(4) Zero-scale error**

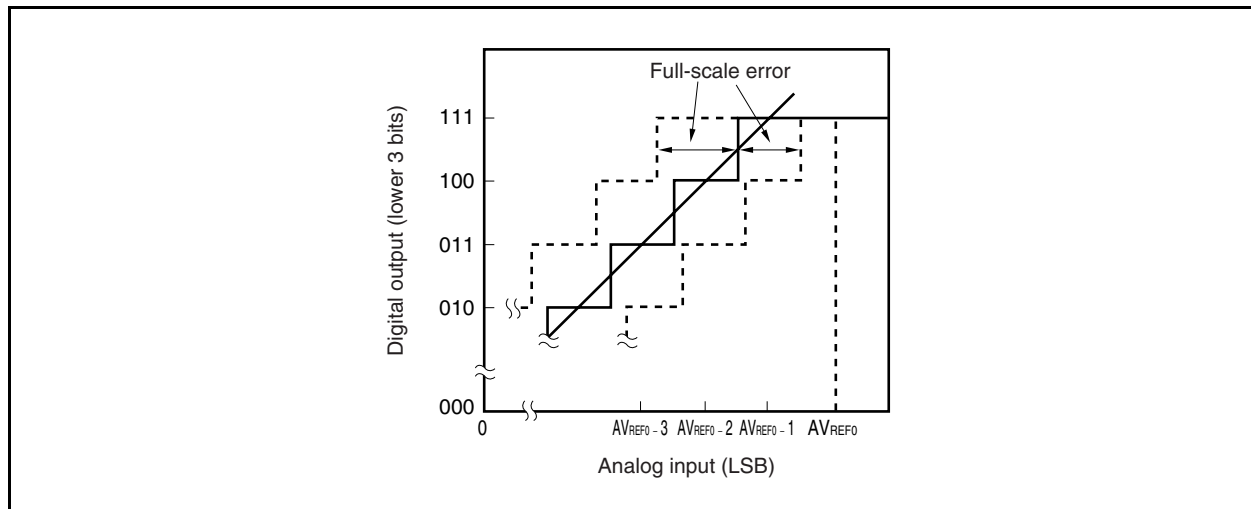
This is the difference between the actually measured analog input voltage and its theoretical value when the digital output changes from 0...000 to 0...001 (1/2 LSB).

**Figure 11-18. Zero-Scale Error**

**(5) Full-scale error**

This is the difference between the actually measured analog input voltage and its theoretical value when the digital output changes from 1...110 to 1...111 (full scale – 3/2 LSB).

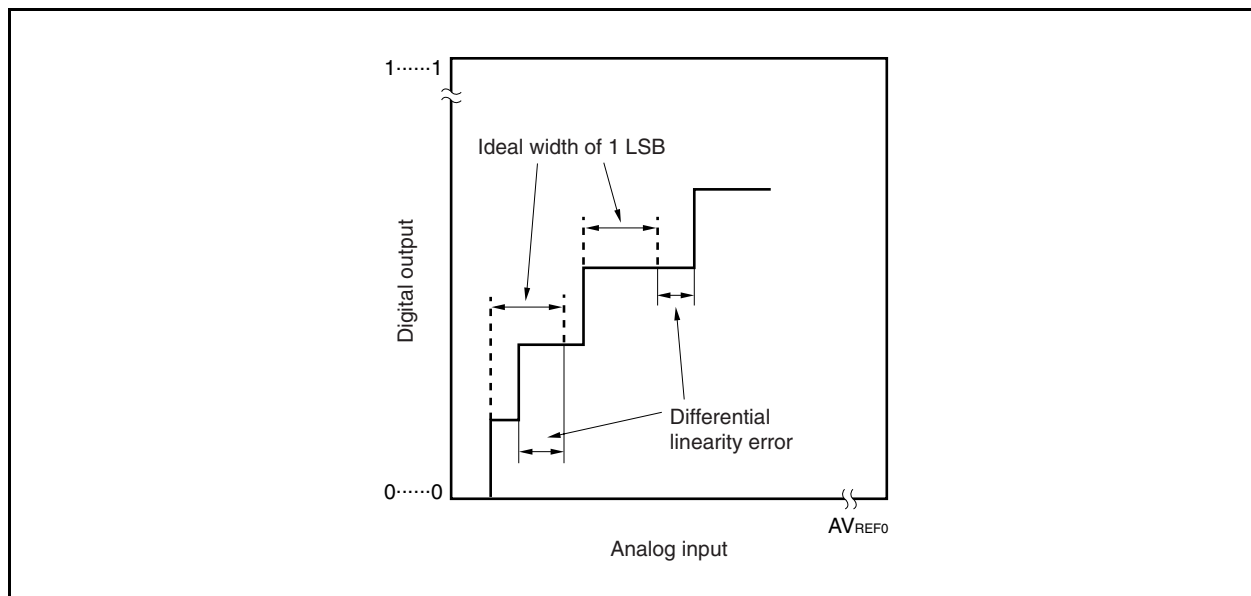
**Figure 11-19. Full-Scale Error**



**(6) Differential linearity error**

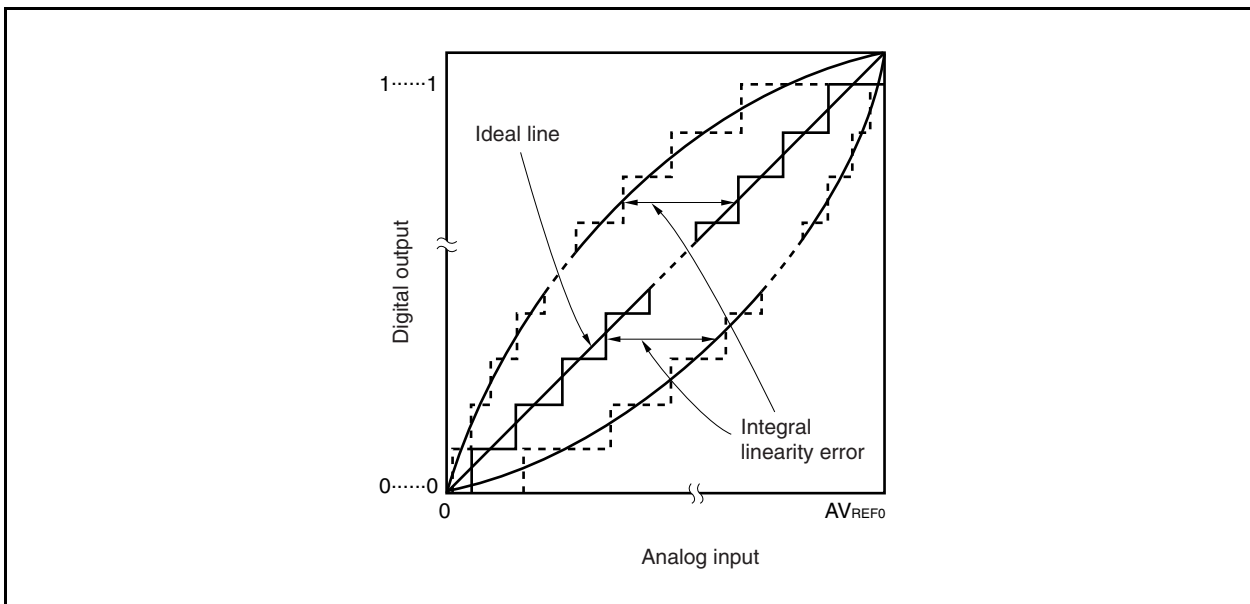
Ideally, the width to output a specific code is 1 LSB. This error indicates the difference between the actually measured value and its theoretical value when a specific code is output. This indicates the basic characteristics of the A/D conversion when the voltage applied to the analog input pins of the same channel is consistently increased bit by bit from  $AV_{SS}$  to  $AV_{REF0}$ . When the input voltage is increased or decreased, or when two or more channels are used, refer to **11.7 (2) Overall error**.

**Figure 11-20. Differential Linearity Error**



**(7) Integral linearity error**

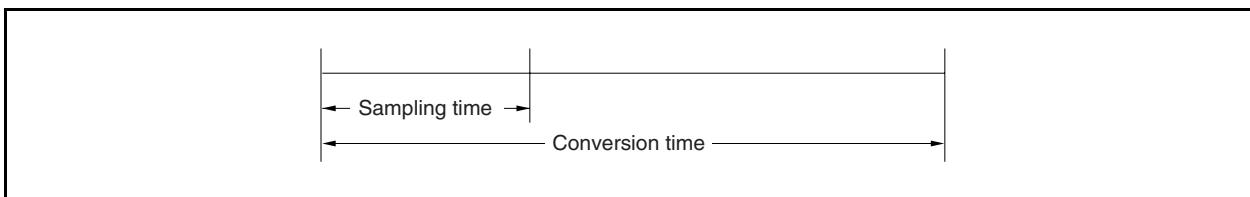
This error indicates the extent to which the conversion characteristics differ from the ideal linear relationship. It indicates the maximum value of the difference between the actually measured value and its theoretical value where the zero-scale error and full-scale error are 0.

**Figure 11-21. Integral Linearity Error****(8) Conversion time**

This is the time required to obtain a digital output after each trigger has been generated. The conversion time in the characteristics table includes the sampling time.

**(9) Sampling time**

This is the time for which the analog switch is ON to load an analog voltage to the sample & hold circuit.

**Figure 11-22. Sampling Time**

A D/A converter is provided only in the  $\mu$ PD703253Y.

12.1 Functions

The D/A converter has the following functions.

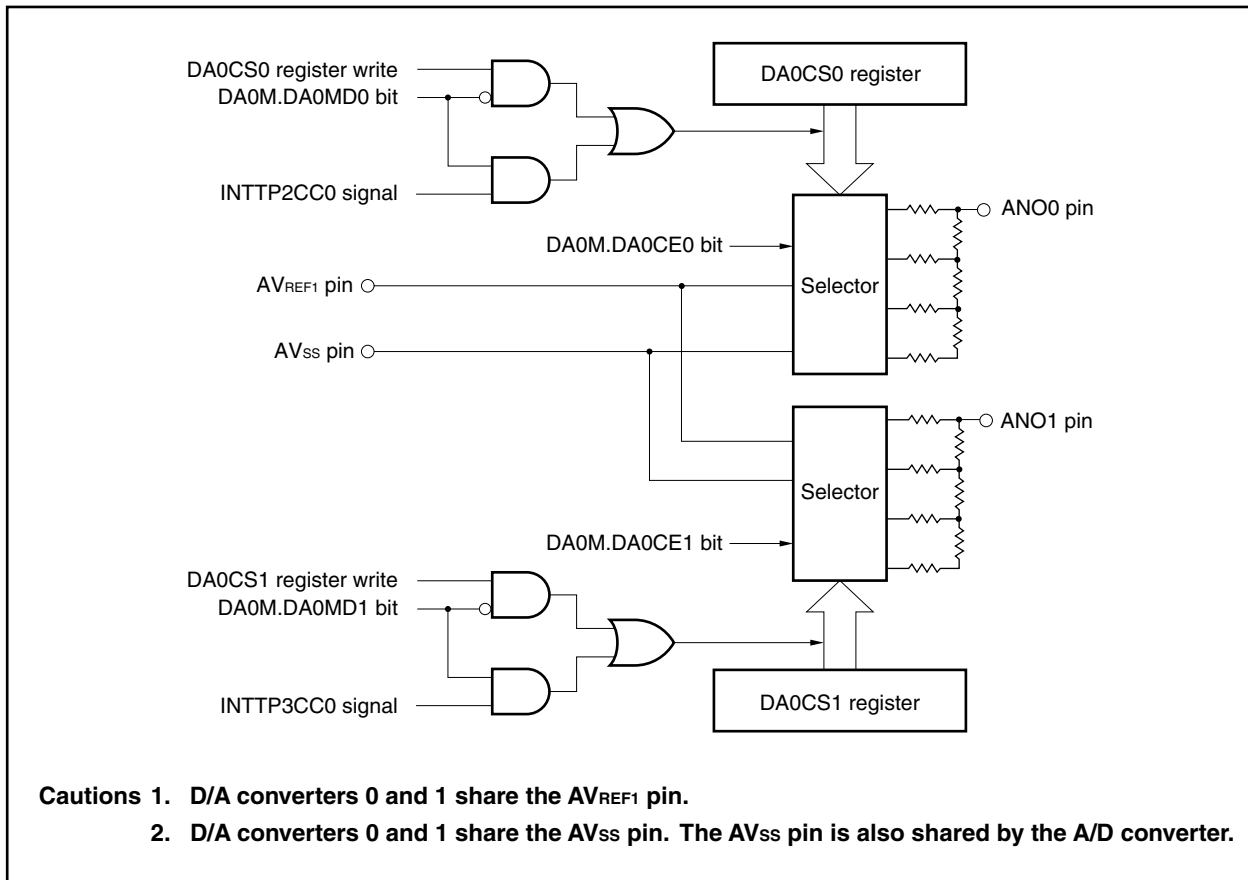
- 8-bit resolution  $\times$  2 channels (DA0CS0, DA0CS1)
- R-2R ladder method
- Settling time: 3  $\mu$ s max. (when AVREF1 is 3.0 to 3.6 V and external load is 20 pF)
- Analog output voltage:  $AV_{REF1} \times m/256$  ( $m = 0$  to 255; value set to DA0CSn register)
- Operation modes: Normal mode, real-time output mode

**Remark** n = 0, 1

12.2 Configuration

The D/A converter configuration is shown below.

Figure 12-1. Block Diagram of D/A Converter



The D/A converter includes the following hardware.

**Table 12-1. Configuration of D/A Converter**

| Item              | Configuration                                                                                                |
|-------------------|--------------------------------------------------------------------------------------------------------------|
| Control registers | D/A converter mode register (DA0M)<br>D/A converter conversion value setting registers 0, 1 (DA0CS0, DA0CS1) |

### 12.3 Registers

The registers that control the D/A converter are as follows.

- D/A converter mode register (DA0M)
- D/A converter conversion value setting registers 0, 1 (DA0CS0, DA0CS1)

#### (1) D/A converter mode register (DA0M)

The DA0M register controls the operation of the D/A converter.

This register can be read or written in 8-bit or 1-bit units.

Reset sets this register to 00H.

|                    |                                                              |     |                    |        |   |   |        |        |
|--------------------|--------------------------------------------------------------|-----|--------------------|--------|---|---|--------|--------|
| After reset: 00H   |                                                              | R/W | Address: FFFFF282H |        |   |   |        |        |
|                    | 7                                                            | 6   | <5>                | <4>    | 3 | 2 | 1      | 0      |
| DA0M               | 0                                                            | 0   | DA0CE1             | DA0CE0 | 0 | 0 | DA0MD1 | DA0MD0 |
| DA0CE <sub>n</sub> | Control of D/A converter operation enable/disable (n = 0, 1) |     |                    |        |   |   |        |        |
| 0                  | Disables operation                                           |     |                    |        |   |   |        |        |
| 1                  | Enables operation                                            |     |                    |        |   |   |        |        |
| DA0MD <sub>n</sub> | Selection of D/A converter operation mode (n = 0, 1)         |     |                    |        |   |   |        |        |
| 0                  | Normal mode                                                  |     |                    |        |   |   |        |        |
| 1                  | Real-time output mode <sup>Note</sup>                        |     |                    |        |   |   |        |        |

**Note** The output trigger in the real-time output mode (DA0MD<sub>n</sub> bit = 1) is as follows.

- When n = 0: INTTP2CC0 signal (see **CHAPTER 7 16-BIT TIMER/EVENT COUNTER P (TMP)**)
- When n = 1: INTTP3CC0 signal (see **CHAPTER 7 16-BIT TIMER/EVENT COUNTER P (TMP)**)

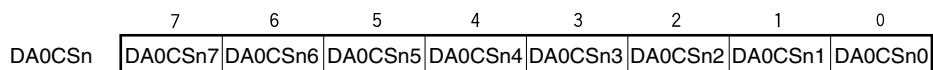
**(2) D/A converter conversion value setting registers 0, 1 (DA0CS0, DA0CS1)**

The DA0CS0 and DA0CS1 registers set the analog voltage value output to the ANO0 and ANO1 pins.

These registers can be read or written in 8-bit units.

Reset sets these registers to 00H.

After reset: 00H    R/W    Address: DA0CS0 FFFFF280H, DA0CS1 FFFFF281H



**Caution** In the real-time output mode (DA0M.DA0MDn bit = 1), set the DA0CSn register before the INTTP2CC0/INTTP3CC0 signals are generated. D/A conversion starts when the INTTP2CC0/INTTP3CC0 signals are generated.

**Remark** n = 0, 1



## 12.4 Operation

### 12.4.1 Operation in normal mode

D/A conversion is performed using a write operation to the DA0CSn register as the trigger. The setting method is described below.

- <1> Set the DA0M.DA0MDn bit to 0 (normal mode).
- <2> Set the analog voltage value to be output to the ANOn pin to the DA0CSn register. Steps <1> and <2> above constitute the initial settings.
- <3> Set the DA0M.DA0CEn bit to 1 (D/A conversion enable). D/A conversion starts when this setting is performed.
- <4> To perform subsequent D/A conversions, write to the DA0CSn register. The previous D/A conversion result is held until the next D/A conversion is performed.

- Remarks**
1. For the alternate-function pin settings, see **Table 4-15 Using Port Pin as Alternate-Function Pin**.
  2. n = 0, 1

### 12.4.2 Operation in real-time output mode

D/A conversion is performed using the interrupt request signals (INTTP2CC0 and INTTP3CC0) of TMP2 and TMP3 as triggers.

The setting method is described below.

- <1> Set the DA0M.DA0MDn bit to 1 (real-time output mode).
- <2> Set the analog voltage value to be output to the ANOn pin to the DA0CSn register.
- <3> Set the DA0M.DA0CEn bit to 1 (D/A conversion enable). Steps <1> to <3> above constitute the initial settings.
- <4> Operate TMP2 and TMP3.
- <5> D/A conversion starts when the INTTP2CC0 and INTTP3CC0 signals are generated.
- <6> After that, the value set in DA0CSn register is output every time the INTTP2CC0 and INTTP3CC0 signals are generated.

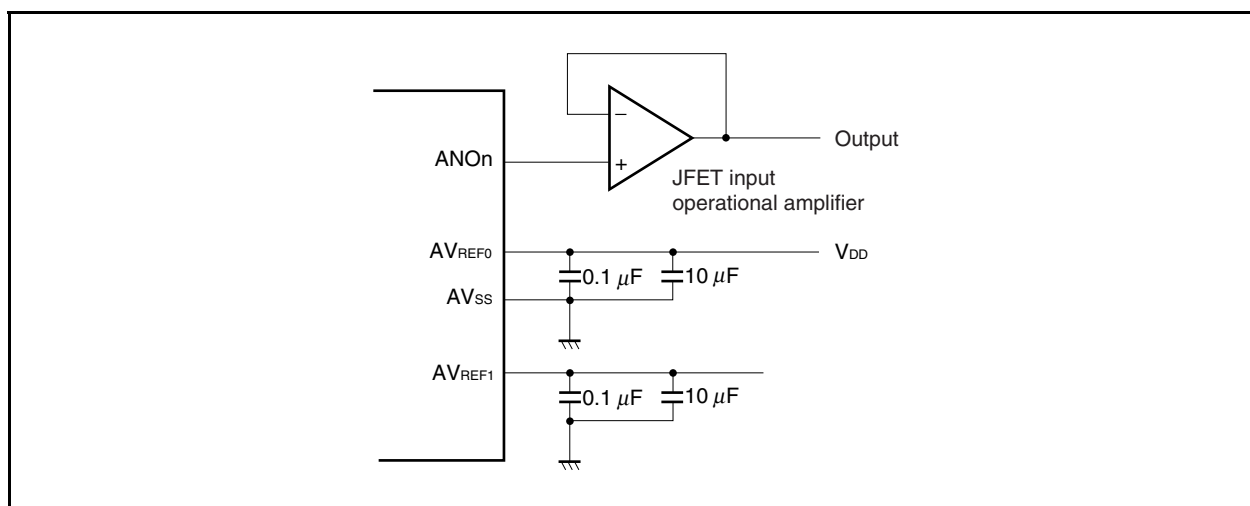
- Remarks**
1. The output values of the ANO0 and ANO1 pins up to <5> above are undefined.
  2. For the output values of the ANO0 and ANO1 pins in the HALT, IDLE1, IDLE2, and STOP modes, see **CHAPTER 21 STANDBY FUNCTION**.
  3. For the alternate-function pin settings, see **Table 4-15 Using Port Pin as Alternate-Function Pin**.

### 12.4.3 Cautions

Observe the following cautions when using the D/A converter of the  $\mu$ PD703253Y.

- (1) Do not change the set value of the DA0CSn register while the trigger signal is being issued in the real-time output mode.
- (2) Before changing the operation mode, be sure to clear the DA0M.DA0CEn bit to 0.
- (3) When using one of the P10/AN00 and P11/AN01 pins as an I/O port and the other as a D/A output pin, do so in an application where the port I/O level does not change during D/A output.
- (4) Make sure that  $AV_{REF0} = V_{DD} = AV_{REF1} = 3.0$  to  $3.6$  V. If this range is exceeded, the operation is not guaranteed.
- (5) Apply power to  $AV_{REF1}$  at the same timing as  $AV_{REF0}$ .
- (6) No current can be output from the ANOn pin ( $n = 0, 1$ ) because the output impedance of the D/A converter is high. When connecting a resistor of  $2$  M $\Omega$  or less, insert a JFET input operational amplifier between the resistor and the ANOn pin.

Figure 12-2. External Pin Connection Example



- (7) Because the D/A converter stops operation in the STOP mode, the ANO0 and ANO1 pins go into a high-impedance state, and the power consumption can be reduced. In the IDLE1, IDLE2, or subclock operation mode, however, the operation continues. To lower the power consumption, therefore, clear the DA0M.DA0CEn bit to 0.

## CHAPTER 13 ASYNCHRONOUS SERIAL INTERFACE A (UARTA)

### 13.1 Features

- Transfer rate: 300 bps to 312.5 kbps (using internal system clock of 20 MHz and dedicated baud rate generator)
- Full-duplex communication: Internal UARTAn receive data register (UAnRX)  
Internal UARTAn transmit data register (UAnTX)
- 2-pin configuration: TXDAn: Transmit data output pin  
RXDAn: Receive data input pin
- Reception error output function
  - Parity error
  - Framing error
  - Overrun error
- Interrupt sources: 2
  - Reception complete interrupt (INTUAnR): This interrupt occurs upon transfer of receive data from the receive shift register to UAnRX register after serial transfer completion, in the reception enabled status.
  - Transmission enable interrupt (INTUAnT): This interrupt occurs upon transfer of transmit data from the UAnTX register to the transmit shift register in the transmission enabled status.
- Character length: 7, 8 bits
- Parity function: Odd, even, 0, none
- Transmission stop bit: 1, 2 bits
- On-chip dedicated baud rate generator
- MSB-/LSB-first transfer selectable
- Transmit/receive data inverted input/output possible

**Caution** The LIN (Local Interconnect Network) function is not supported in UARTA of the V850ES/SG1.

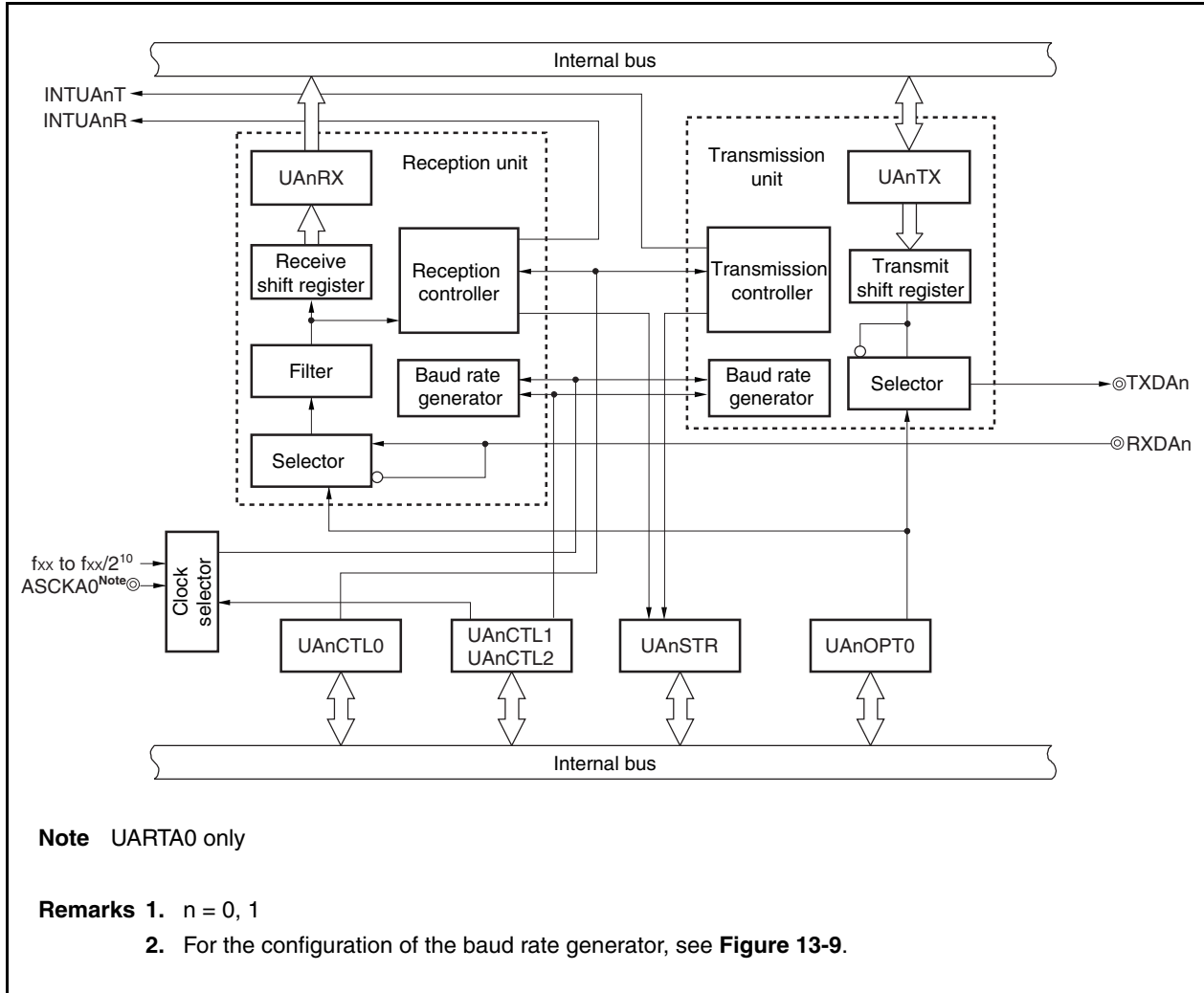
**Remark** n = 0, 1

### 13.2 Configuration

The block diagram of the UARTAn is shown below.

<R>

**Figure 13-1. Block Diagram of Asynchronous Serial Interface An**



UARTAn includes the following hardware.

**Table 13-1. Configuration of UARTAn**

| Item      | Configuration                                                                                                                                                                                                                                                                                                                                          |
|-----------|--------------------------------------------------------------------------------------------------------------------------------------------------------------------------------------------------------------------------------------------------------------------------------------------------------------------------------------------------------|
| Registers | UARTAn control register 0 (UAnCTL0)<br>UARTAn control register 1 (UAnCTL1)<br>UARTAn control register 2 (UAnCTL2)<br>UARTAn option control register 0 (UAnOPT0)<br>UARTAn status register (UAnSTR)<br>UARTAn receive shift register<br>UARTAn receive data register (UAnRX)<br>UARTAn transmit shift register<br>UARTAn transmit data register (UAnTX) |

**(1) UARTAn control register 0 (UAnCTL0)**

The UAnCTL0 register is an 8-bit register used to specify the UARTAn operation.

**(2) UARTAn control register 1 (UAnCTL1)**

The UAnCTL1 register is an 8-bit register used to select the input clock for the UARTAn.

**(3) UARTAn control register 2 (UAnCTL2)**

The UAnCTL2 register is an 8-bit register used to control the baud rate for the UARTAn.

**(4) UARTAn option control register 0 (UAnOPT0)**

The UAnOPT0 register is an 8-bit register used to control serial transfer for the UARTAn.

**(5) UARTAn status register (UAnSTR)**

The UAnSTRn register consists of flags indicating the error contents when a reception error occurs. Each one of the reception error flags is set (to 1) upon occurrence of a reception error.

**(6) UARTAn receive shift register**

This is a shift register used to convert the serial data input to the RXDAn pin into parallel data. Upon reception of 1 byte of data and detection of the stop bit, the receive data is transferred to the UAnRX register.

This register cannot be manipulated directly.

**(7) UARTAn receive data register (UAnRX)**

The UAnRX register is an 8-bit register that holds receive data. When 7 characters are received, 0 is stored in the highest bit (when data is received LSB first).

In the reception enabled status, receive data is transferred from the UARTAn receive shift register to the UAnRX register in synchronization with the completion of shift-in processing of 1 frame.

Transfer to the UAnRX register also causes the reception complete interrupt request signal (INTUAnR) to be output.

**(8) UARTAn transmit shift register**

The transmit shift register is a shift register used to convert the parallel data transferred from the UAnTX register into serial data.

When 1 byte of data is transferred from the UAnTX register, the shift register data is output from the TXDAn pin.

This register cannot be manipulated directly.

**(9) UARTAn transmit data register (UAnTX)**

The UAnTX register is an 8-bit transmit data buffer. Transmission starts when transmit data is written to the UAnTX register. When data can be written to the UAnTX register (when data of one frame is transferred from the UAnTX register to the UARTAn transmit shift register), the transmission enable interrupt request signal (INTUAnT) is generated.

13.3 Registers

(1) UARTAn control register 0 (UAnCTL0)

The UAnCTL0 register is an 8-bit register that controls the UARTAn serial transfer operation.

This register can be read or written in 8-bit or 1-bit units.

Reset sets this register to 10H.

(1/2)

|                                                                        |                                                                                                                                                                                                                                                                                                                                                                                                                                                                                                                                                                                                                                                                                                                                                                                                                                                                                            |                                                        |        |        |        |        |       |       |
|------------------------------------------------------------------------|--------------------------------------------------------------------------------------------------------------------------------------------------------------------------------------------------------------------------------------------------------------------------------------------------------------------------------------------------------------------------------------------------------------------------------------------------------------------------------------------------------------------------------------------------------------------------------------------------------------------------------------------------------------------------------------------------------------------------------------------------------------------------------------------------------------------------------------------------------------------------------------------|--------------------------------------------------------|--------|--------|--------|--------|-------|-------|
| After reset: 10H    R/W    Address: UA0CTL0 FFFFA00H, UA1CTL0 FFFFA10H |                                                                                                                                                                                                                                                                                                                                                                                                                                                                                                                                                                                                                                                                                                                                                                                                                                                                                            |                                                        |        |        |        |        |       |       |
|                                                                        | <7>                                                                                                                                                                                                                                                                                                                                                                                                                                                                                                                                                                                                                                                                                                                                                                                                                                                                                        | <6>                                                    | <5>    | <4>    | 3      | 2      | 1     | 0     |
| UAnCTL0                                                                | UAnPWR                                                                                                                                                                                                                                                                                                                                                                                                                                                                                                                                                                                                                                                                                                                                                                                                                                                                                     | UAnTXE                                                 | UAnRXE | UAnDIR | UAnPS1 | UAnPS0 | UAnCL | UAnSL |
| (n = 0, 1)                                                             |                                                                                                                                                                                                                                                                                                                                                                                                                                                                                                                                                                                                                                                                                                                                                                                                                                                                                            |                                                        |        |        |        |        |       |       |
|                                                                        | UAnPWR                                                                                                                                                                                                                                                                                                                                                                                                                                                                                                                                                                                                                                                                                                                                                                                                                                                                                     | UARTAn operation control                               |        |        |        |        |       |       |
|                                                                        | 0                                                                                                                                                                                                                                                                                                                                                                                                                                                                                                                                                                                                                                                                                                                                                                                                                                                                                          | Disable UARTAn operation (UARTAn reset asynchronously) |        |        |        |        |       |       |
|                                                                        | 1                                                                                                                                                                                                                                                                                                                                                                                                                                                                                                                                                                                                                                                                                                                                                                                                                                                                                          | Enable UARTAn operation                                |        |        |        |        |       |       |
|                                                                        | The UARTAn operation is controlled by the UAnPWR bit. The TXDAn pin output is fixed to high level by clearing the UAnPWR bit to 0 (fixed to low level if UAnOPT0.UAnTDL bit = 1).                                                                                                                                                                                                                                                                                                                                                                                                                                                                                                                                                                                                                                                                                                          |                                                        |        |        |        |        |       |       |
|                                                                        | UAnTXE                                                                                                                                                                                                                                                                                                                                                                                                                                                                                                                                                                                                                                                                                                                                                                                                                                                                                     | Transmission operation enable                          |        |        |        |        |       |       |
|                                                                        | 0                                                                                                                                                                                                                                                                                                                                                                                                                                                                                                                                                                                                                                                                                                                                                                                                                                                                                          | Disable transmission operation                         |        |        |        |        |       |       |
|                                                                        | 1                                                                                                                                                                                                                                                                                                                                                                                                                                                                                                                                                                                                                                                                                                                                                                                                                                                                                          | Enable transmission operation                          |        |        |        |        |       |       |
| <R>                                                                    | <ul style="list-style-type: none"> <li>• To start transmission, set the UAnPWR bit to 1 and then set the UAnTXE bit to 1.</li> <li>• To initialize the transmission unit, clear the UAnTXE bit to 0, wait for two cycles of the base clock (<math>f_{UCLK}</math>), and then set the UAnTXE bit to 1 again. Otherwise, initialization may not be executed (for the base clock, see <b>13.6 (1) (a) Base clock</b>).</li> <li>• When the operation is enabled (UAnPWR bit = 1), the transmission operation is enabled after two or more cycles of the base clock (<math>f_{UCLK}</math>) have elapsed since UAnTXE = 1.</li> <li>• When the UAnPWR bit is cleared to 0, the status of the internal circuit becomes the same status as UAnTXE bit = 0 by the UAnPWR bit even if the UAnTXE bit is 1. The transmission operation is enabled when the UAnPWR bit is set to 1 again.</li> </ul> |                                                        |        |        |        |        |       |       |
| <R>                                                                    |                                                                                                                                                                                                                                                                                                                                                                                                                                                                                                                                                                                                                                                                                                                                                                                                                                                                                            |                                                        |        |        |        |        |       |       |
| <R>                                                                    |                                                                                                                                                                                                                                                                                                                                                                                                                                                                                                                                                                                                                                                                                                                                                                                                                                                                                            |                                                        |        |        |        |        |       |       |

| UAnRXE | Reception operation enable  |
|--------|-----------------------------|
| 0      | Disable reception operation |
| 1      | Enable reception operation  |

&lt;R&gt;

- To start reception, set the UAnPWR bit to 1 and then set the UAnRXE bit to 1.
- To initialize the reception unit, clear the UAnRXE bit to 0, wait for two cycles of the base clock, and then set the UAnRXE bit to 1 again. Otherwise, initialization may not be executed (for the base clock, see 13.6 (1) (a) **Base clock**).
- When the operation is enabled (UAnPWR bit = 1), the reception operation is enabled after two or more cycles of the base clock ( $f_{UCLK}$ ) have elapsed since UAnRXE = 1. If the start bit is received before the reception operation is enabled, the start bit is ignored.
- When the UAnPWR bit is cleared to 0, the status of the internal circuit becomes the same status as UAnRXE bit = 0 by the UAnPWR bit even if the UAnRXE bit is 1. The reception operation is enabled when the UAnPWR bit is set to 1 again.

&lt;R&gt;

&lt;R&gt;

&lt;R&gt;

| UAnDIR <sup>Note</sup> | Transfer direction selection |
|------------------------|------------------------------|
| 0                      | MSB-first transfer           |
| 1                      | LSB-first transfer           |

&lt;R&gt;

| UAnPS1 <sup>Note</sup> | UAnPS0 <sup>Note</sup> | Parity selection during transmission | Parity selection during reception |
|------------------------|------------------------|--------------------------------------|-----------------------------------|
| 0                      | 0                      | No parity output                     | Reception with no parity          |
| 0                      | 1                      | 0 parity output                      | Reception with 0 parity           |
| 1                      | 0                      | Odd parity output                    | Odd parity check                  |
| 1                      | 1                      | Even parity output                   | Even parity check                 |

If "Reception with 0 parity" is selected during reception, a parity check is not performed. Therefore, the UAnSTR.UAnPE bit is not set.

&lt;R&gt;

| UAnCL <sup>Note</sup> | Specification of data character length of 1 frame of transmit/receive data |
|-----------------------|----------------------------------------------------------------------------|
| 0                     | 7 bits                                                                     |
| 1                     | 8 bits                                                                     |

&lt;R&gt;

| UAnSL <sup>Note</sup> | Specification of length of stop bit for transmit data |
|-----------------------|-------------------------------------------------------|
| 0                     | 1 bit                                                 |
| 1                     | 2 bits                                                |

&lt;R&gt;

Only the first bit of the receive data stop bits is checked, regardless of the value of the UAnSL bit.

&lt;R&gt;

**Note** This register can be rewritten only when the UAnPWR bit = 0 or the UAnTXE bit = UAnRXE bit = 0. However, setting any or all of the UAnPWR, UAnTXE, and UAnRXE bits to 1 at the same time is possible.

**Remark** For details of parity, see 13.5.6 **Parity types and operations**.

**(2) UARTAn control register 1 (UAnCTL1)**

For details, see 13.6 (2) UARTAn control register 1 (UAnCTL1).

**(3) UARTAn control register 2 (UAnCTL2)**

For details, see 13.6 (3) UARTAn control register 2 (UAnCTL2).

**(4) UARTAn option control register 0 (UAnOPT0)**

The UAnOPT0 register is an 8-bit register that controls the serial transfer operation of the UARTAn register.

This register can be read or written in 8-bit or 1-bit units.

Reset sets this register to 14H.

After reset: 14H    R/W    Address: UA0OPT0 FFFFFFFA03H, UA1OPT0 FFFFFFFA13H

|         |   |   |   |   |   |   |        |        |
|---------|---|---|---|---|---|---|--------|--------|
|         | 7 | 6 | 5 | 4 | 3 | 2 | 1      | 0      |
| UAnOPT0 | 0 | 0 | 0 | 1 | 0 | 1 | UAnTDL | UAnRDL |

(n = 0, 1)

|        |                                  |
|--------|----------------------------------|
| UAnTDL | Transmit data level bit          |
| 0      | Normal output of transfer data   |
| 1      | Inverted output of transfer data |

- The output level of the TXDAn pin can be inverted using the UAnTDL bit.
- This register can be set when the UAnPWR bit = 0 or when the UAnTXE bit = 0.

|        |                                 |
|--------|---------------------------------|
| UAnRDL | Receive data level bit          |
| 0      | Normal input of transfer data   |
| 1      | Inverted input of transfer data |

- The input level of the RXDAn pin can be inverted using the UAnRDL bit.
- This register can be set when the UAnPWR bit = 0 or the UAnRXE bit = 0.
- When the UAnRDL bit is set to 1 (inverted input of receive data), reception must be enabled (UAnCTL0.UAnRXE bit = 1) after setting the data reception pin to the UART reception pin (RXDAn) when reception is started. When the pin mode is changed after reception is enabled, the start bit will be mistakenly detected if the pin level is high.

<R>

**Caution** Be sure to clear bits 7 to 5 and 3 to “0”, and set bits 4 and 2 to “1”.



**(5) UARTAn status register (UAnSTR)**

The UAnSTR register is an 8-bit register that displays the UARTAn transfer status and reception error contents. This register can be read or written in 8-bit or 1-bit units, but the UAnTSF bit is a read-only bit, while the UAnPE, UAnFE, and UAnOVE bits can both be read and written. However, these bits can only be cleared by writing 0; they cannot be set by writing 1 (even if 1 is written to them, the value is retained).

The initialization conditions are shown below.

| Register/Bit              | Initialization Conditions                                                                 |
|---------------------------|-------------------------------------------------------------------------------------------|
| UAnSTR register           | <ul style="list-style-type: none"> <li>• Reset</li> <li>• UAnCTL0.UAnPWR = 0</li> </ul>   |
| UAnTSF bit                | <ul style="list-style-type: none"> <li>• UAnCTL0.UAnTXE = 0</li> </ul>                    |
| UAnPE, UAnFE, UAnOVE bits | <ul style="list-style-type: none"> <li>• 0 write</li> <li>• UAnCTL0.UAnRXE = 0</li> </ul> |

<R>

**Caution** Be sure to read the error flags of the UAnPE, UAnFE, and UAnOVE bits to check the flag status, and then clear the flags by writing “0” to them.

After reset: 00H R/W Address: UA0STR FFFFA04H, UA1STR FFFFA14H

|                      |        |   |   |   |   |       |       |        |
|----------------------|--------|---|---|---|---|-------|-------|--------|
|                      | <7>    | 6 | 5 | 4 | 3 | <2>   | <1>   | <0>    |
| UAnSTR<br>(n = 0, 1) | UAnTSF | 0 | 0 | 0 | 0 | UAnPE | UAnFE | UAnOVE |

|                                                                                                                                                                                                                                                                                    |                                                                                                                                                                                                                 |
|------------------------------------------------------------------------------------------------------------------------------------------------------------------------------------------------------------------------------------------------------------------------------------|-----------------------------------------------------------------------------------------------------------------------------------------------------------------------------------------------------------------|
| UAnTSF                                                                                                                                                                                                                                                                             | Transfer status flag                                                                                                                                                                                            |
| 0                                                                                                                                                                                                                                                                                  | <ul style="list-style-type: none"> <li>When the UAnPWR bit = 0 or the UAnTXE bit = 0 has been set.</li> <li>When, following transfer completion, there was no next data transfer from UAnTX register</li> </ul> |
| 1                                                                                                                                                                                                                                                                                  | Write to UAnTX register                                                                                                                                                                                         |
| <p>The UAnTSF bit is always 1 when performing continuous transmission. When initializing the transmission unit, check that the UAnTSF bit = 0 before performing initialization. The transmit data is not guaranteed when initialization is performed while the UAnTSF bit = 1.</p> |                                                                                                                                                                                                                 |

|                                                                                                                                                                                                                                                                                                                                                             |                                                                                                                                                |
|-------------------------------------------------------------------------------------------------------------------------------------------------------------------------------------------------------------------------------------------------------------------------------------------------------------------------------------------------------------|------------------------------------------------------------------------------------------------------------------------------------------------|
| UAnPE                                                                                                                                                                                                                                                                                                                                                       | Parity error flag                                                                                                                              |
| 0                                                                                                                                                                                                                                                                                                                                                           | <ul style="list-style-type: none"> <li>When the UAnPWR bit = 0 or the UAnRXE bit = 0 has been set.</li> <li>When 0 has been written</li> </ul> |
| 1                                                                                                                                                                                                                                                                                                                                                           | When parity of data and parity bit do not match during reception.                                                                              |
| <ul style="list-style-type: none"> <li>The operation of the UAnPE bit is controlled by the settings of the UAnCTL0.UAnPS1 and UAnCTL0.UAnPS0 bits.</li> <li>The UAnPE bit can be read and written, but it can only be cleared by writing 0 to it, and it cannot be set by writing 1 to it. When 1 is written to this bit, the value is retained.</li> </ul> |                                                                                                                                                |

|                                                                                                                                                                                                                                                                                                                                                                     |                                                                                                                                               |
|---------------------------------------------------------------------------------------------------------------------------------------------------------------------------------------------------------------------------------------------------------------------------------------------------------------------------------------------------------------------|-----------------------------------------------------------------------------------------------------------------------------------------------|
| UAnFE                                                                                                                                                                                                                                                                                                                                                               | Framing error flag                                                                                                                            |
| 0                                                                                                                                                                                                                                                                                                                                                                   | <ul style="list-style-type: none"> <li>When the UAnPWR bit = 0 or the UAnRXE bit = 0 has been set</li> <li>When 0 has been written</li> </ul> |
| 1                                                                                                                                                                                                                                                                                                                                                                   | When no stop bit is detected during reception                                                                                                 |
| <ul style="list-style-type: none"> <li>Only the first bit of the receive data stop bits is checked, regardless of the value of the UAnCTL0.UAnSL bit.</li> <li>The UAnFE bit can be both read and written, but it can only be cleared by writing 0 to it, and it cannot be set by writing 1 to it. When 1 is written to this bit, the value is retained.</li> </ul> |                                                                                                                                               |

|                                                                                                                                                                                                                                                                                                                                 |                                                                                                                                                |
|---------------------------------------------------------------------------------------------------------------------------------------------------------------------------------------------------------------------------------------------------------------------------------------------------------------------------------|------------------------------------------------------------------------------------------------------------------------------------------------|
| UAnOVE                                                                                                                                                                                                                                                                                                                          | Overrun error flag                                                                                                                             |
| 0                                                                                                                                                                                                                                                                                                                               | <ul style="list-style-type: none"> <li>When the UAnPWR bit = 0 or the UAnRXE bit = 0 has been set.</li> <li>When 0 has been written</li> </ul> |
| 1                                                                                                                                                                                                                                                                                                                               | When receive data has been set to the UAnRX register and the next receive operation is completed before that receive data has been read        |
| <ul style="list-style-type: none"> <li>When an overrun error occurs, the data is discarded without the next receive data being written to UAnRx register.</li> <li>The UAnOVE bit can be both read and written, but it can only be cleared by writing 0 to it. When 1 is written to this bit, the value is retained.</li> </ul> |                                                                                                                                                |

**(6) UARTAn receive data register (UAnRX)**

The UAnRX register is an 8-bit buffer register that stores parallel data converted by the receive shift register. The data stored in the receive shift register is transferred to the UAnRX register upon completion of reception of 1 byte of data. The reception end interrupt request signal (INTUAnR) is generated in this timing.

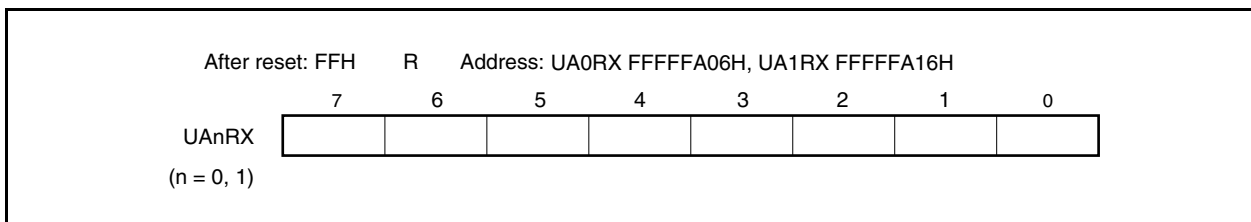
<R>

During LSB-first reception when the data length has been specified as 7 bits, the receive data is transferred to bits 6 to 0 of the UAnRX register and the MSB always becomes 0. During MSB-first reception, the receive data is transferred to bits 7 to 1 of the UAnRX register and the LSB always becomes 0.

When an overrun error occurs (UAnSTR.UAnOVE bit = 1), the receive data at this time is not transferred to the UAnRX register and is discarded.

This register is read-only, in 8-bit units.

In addition to reset input, the UAnRX register can be set to FFH by clearing the UAnCTL0.UAnPWR bit to 0.



**(7) UARTAn transmit data register (UAnTX)**

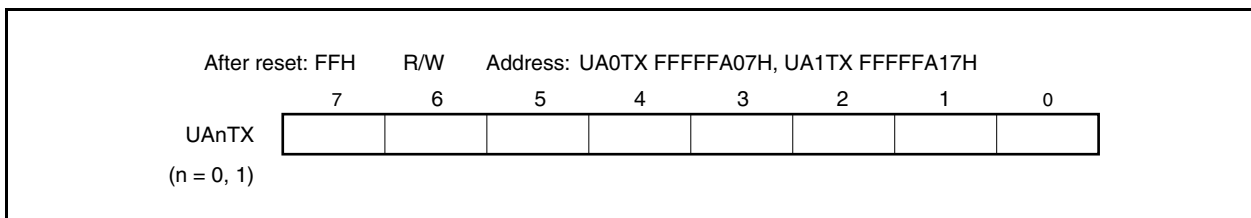
The UAnTX register is an 8-bit register used to set transmit data.

<R>

Transmission starts when transmit data is written to the UAnTX register in the transmission enabled status (UAnCTL0.UAnTXE bit = 1). When the data of the UAnTX register has been transferred to the transmit shift register, the transmission enable interrupt request signal (INTUAnT) is generated.

This register can be read or written in 8-bit units.

Reset sets this register to FFH.



## 13.4 Interrupt Request Signals

The following two interrupt request signals are generated from UARTAn.

- Reception complete interrupt request signal (INTUAnR)
- Transmission enable interrupt request signal (INTUAnT)

The default priority for these two interrupt request signals is reception complete interrupt request signal then transmission enable interrupt request signal.

**Table 13-2. Interrupts and Their Default Priorities**

| Interrupt           | Priority |
|---------------------|----------|
| Reception complete  | High     |
| Transmission enable | Low      |

### (1) Reception complete interrupt request signal (INTUAnR)

A reception complete interrupt request signal is output when data is shifted into the receive shift register and transferred to the UAnRX register in the reception enabled status.

When a reception complete interrupt request signal is received and the data is read, read the UAnSTR register and check that the reception result is not an error.

No reception complete interrupt request signal is generated in the reception disabled status.

### (2) Transmission enable interrupt request signal (INTUAnT)

If transmit data is transferred from the UAnTX register to the UARTAn transmit shift register with transmission enabled, the transmission enable interrupt request signal is generated.

## 13.5 Operation

### 13.5.1 Data format

Full-duplex serial data reception and transmission is performed.

As shown in Figure 13-2, one data frame of transmit/receive data consists of a start bit, character bits, parity bit, and stop bit(s).

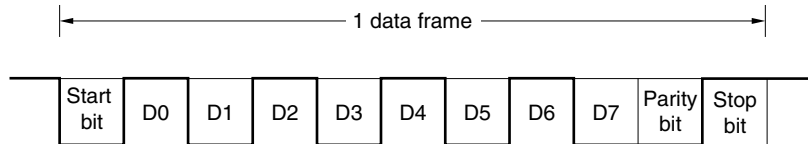
Specification of the character bit length within 1 data frame, parity selection, specification of the stop bit length, and specification of MSB/LSB-first transfer are performed using the UAnCTL0 register.

Moreover, control of UART output/inverted output for the TXDAn bit is performed using the UAnOPT0.UAnTDL bit.

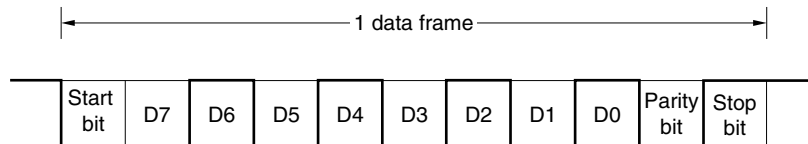
- Start bit ..... 1 bit
- Character bits..... 7 bits/8 bits
- Parity bit ..... Even parity/odd parity/0 parity/no parity
- Stop bit..... 1 bit/2 bits

Figure 13-2. UARTA Transmit/Receive Data Format

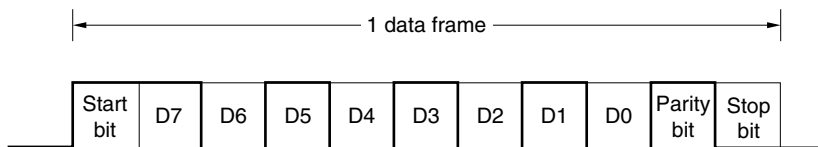
(a) 8-bit data length, LSB first, even parity, 1 stop bit, transfer data: 55H



(b) 8-bit data length, MSB first, even parity, 1 stop bit, transfer data: 55H

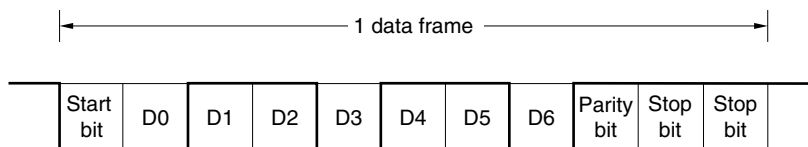


(c) 8-bit data length, MSB first, even parity, 1 stop bit, transfer data: 55H, TXDAn inversion

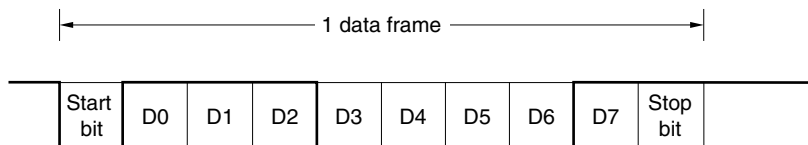


<R>

(d) 7-bit data length, LSB first, odd parity, 2 stop bits, transfer data: 36H



(e) 8-bit data length, LSB first, no parity, 1 stop bit, transfer data: 87H



### 13.5.2 UART transmission

A high level is output to the TXDAn pin by setting the UAnCTL0.UAnPWR bit to 1.

Next, the transmission enabled status is set by setting the UAnCTL0.UAnTXE bit to 1, and transmission is started by writing transmit data to the UAnTX register. The start bit, parity bit, and stop bit are automatically added.

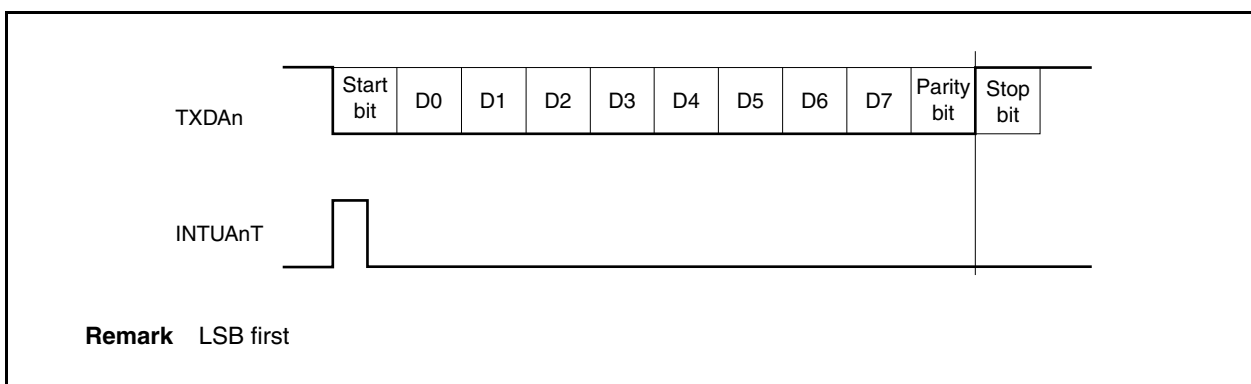
Since the CTS (transmit enable signal) input pin is not provided in UARTAn, use a port to check that reception is enabled at the transmit destination.

The data in the UAnTX register is transferred to the UARTAn transmit shift register upon the start of the transmit operation.

A transmission enable interrupt request signal (INTUAnT) is generated upon completion of transmission of the data of the UAnTX register to the UARTAn transmit shift register, and thereafter the contents of the UARTAn transmit shift register are output to the TXDAn pin.

Write of the next transmit data to the UAnTX register is enabled after the INTUAnT signal is generated.

**Figure 13-3. UART Transmission**



### 13.5.3 Continuous transmission procedure

UARTAn can write the next transmit data to the UAnTX register when the UARTAn transmit shift register starts the shift operation. The transmit timing of the UARTAn transmit shift register can be judged from the transmission enable interrupt request signal (INTUAnT).

An efficient communication rate is realized by writing the data to be transmitted next to the UAnTX register during transfer.

**Caution** When initializing transmissions during the execution of continuous transmissions, make sure that the UAnSTR.UAnTSF bit is 0, then perform the initialization. Transmit data that is initialized when the UAnTSF bit is 1 cannot be guaranteed.

Figure 13-4. Continuous Transmission Processing Flow

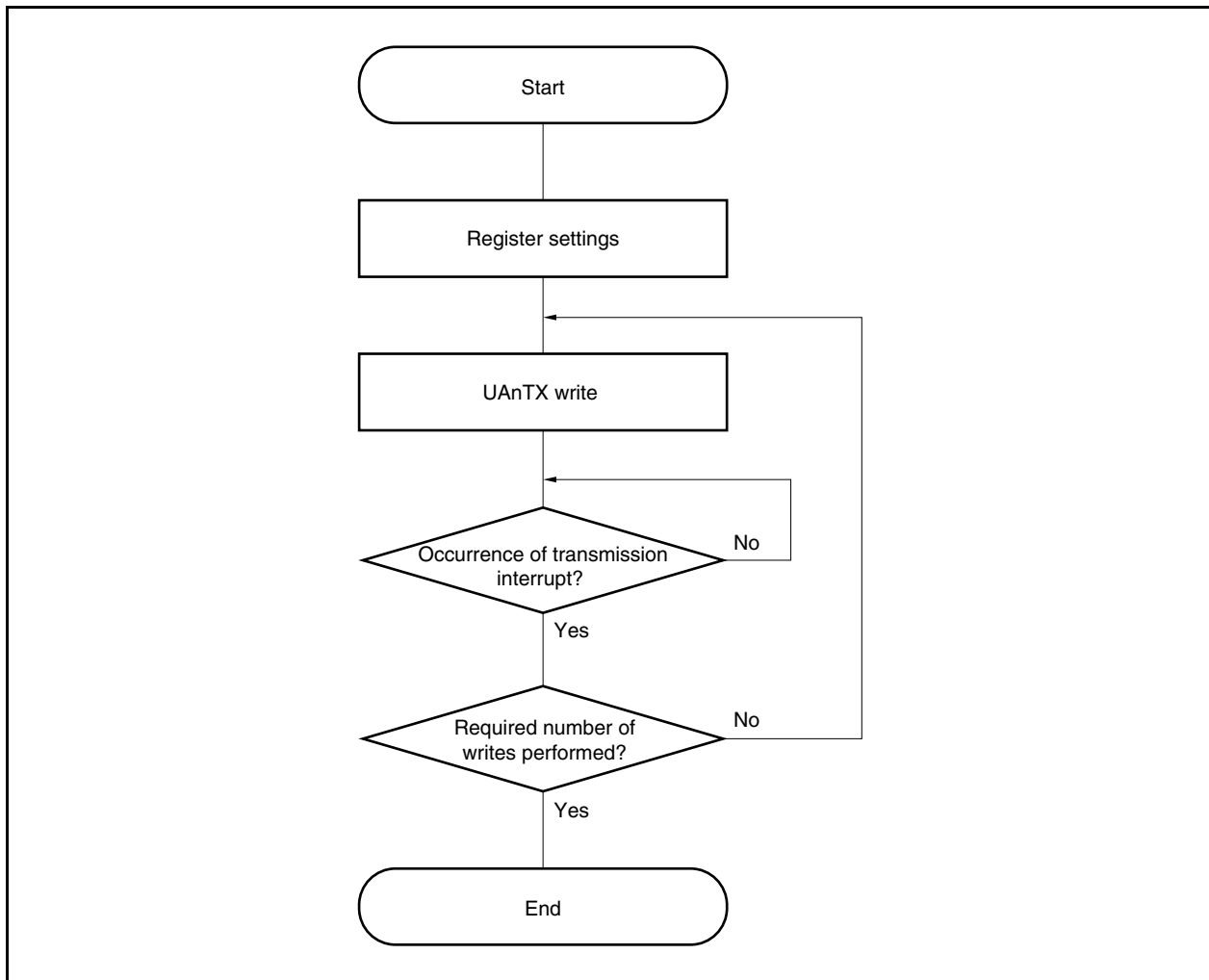
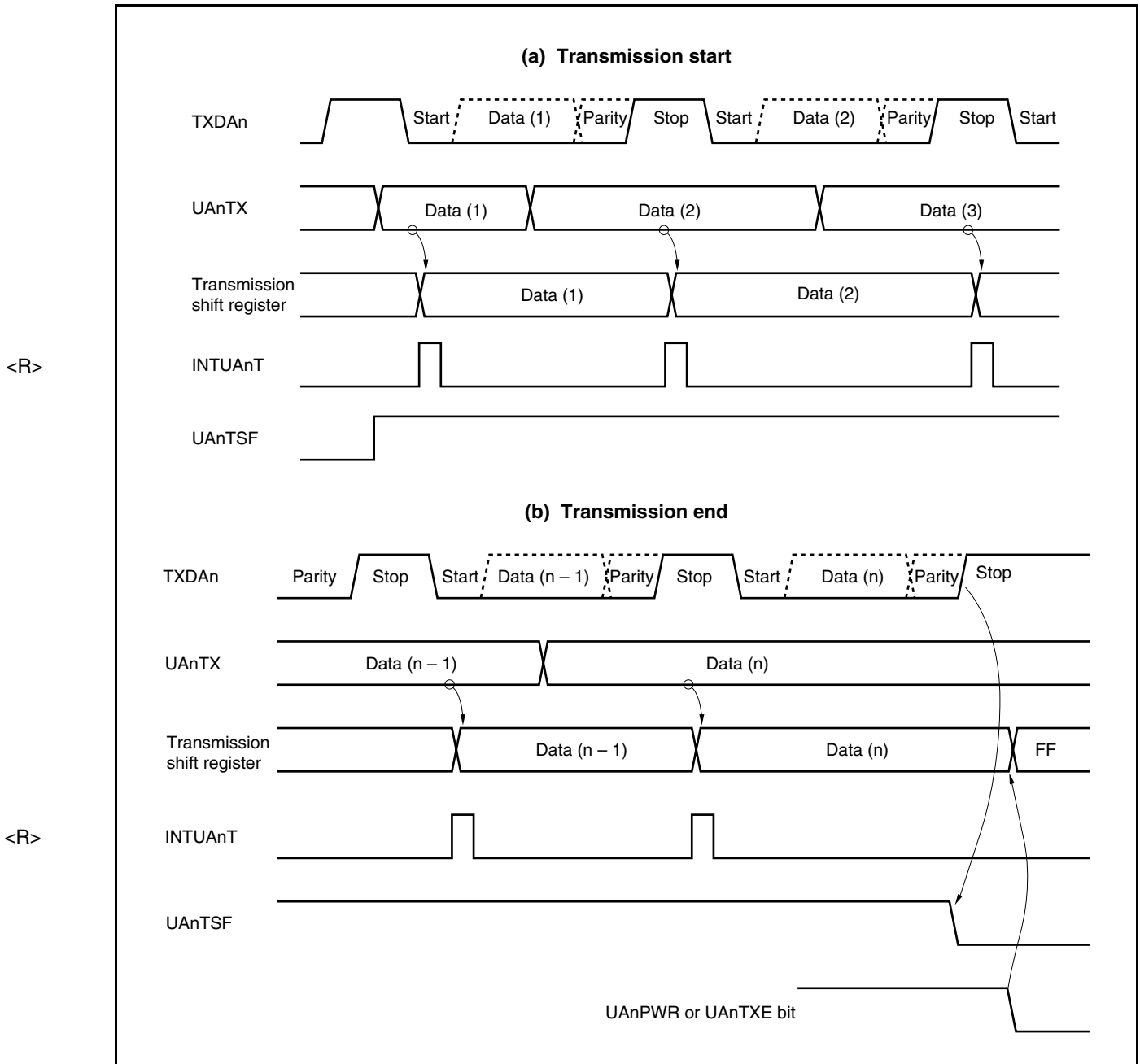




Figure 13-5. Continuous Transmission Operation Timing



### 13.5.4 UART reception

The reception wait status is set by setting the UAnCTL0.UAnPWR bit to 1 and then setting the UAnCTL0.UAnRXE bit to 1. In the reception wait status, the RXDAn pin is monitored and start bit detection is performed.

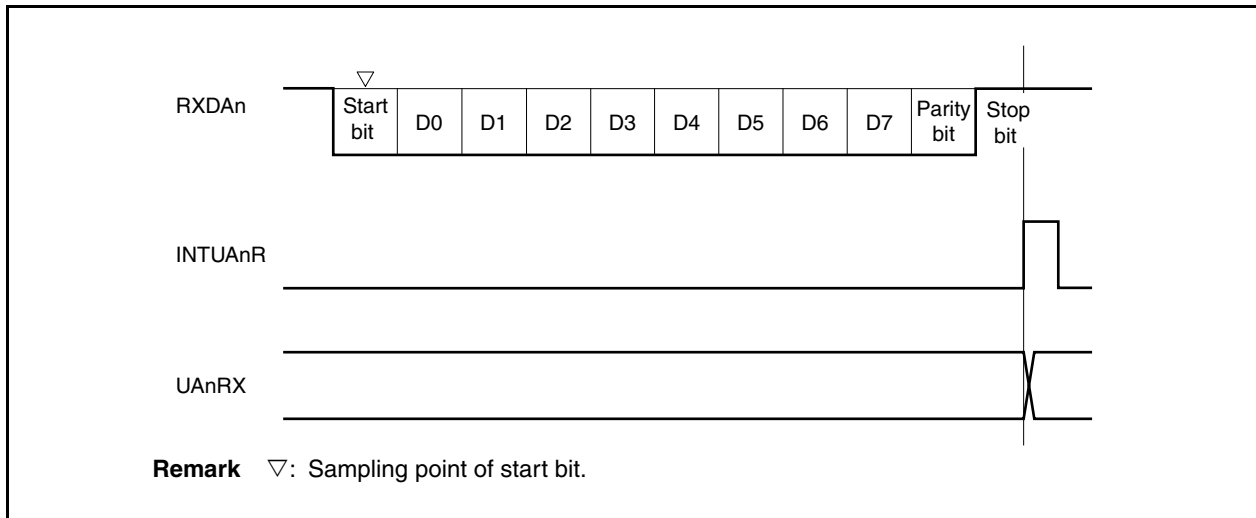
Start bit detection is performed using a two-step detection routine.

First the rising edge of the RXDAn pin is detected and sampling is started at the falling edge. The start bit is recognized if the RXDAn pin is low level at the start bit sampling point. After a start bit has been recognized, the receive operation starts, and serial data is saved to the UARTAn receive shift register according to the set baud rate.

When the reception complete interrupt request signal (INTUAnR) is output upon reception of the stop bit, the data of the UARTAn receive shift register is written to the UAnRX register. However, if an overrun error occurs (UAnSTR.UAnOVE bit = 1), the receive data at this time is not written to the UAnRX register and is discarded.

Even if a parity error (UAnSTR.UAnPE bit) or a framing error (UAnSTR.UAnFE bit = 1) occurs during reception, reception continues until the reception position of the first stop bit, and INTUAnR is output following reception completion.

Figure 13-6. UART Reception



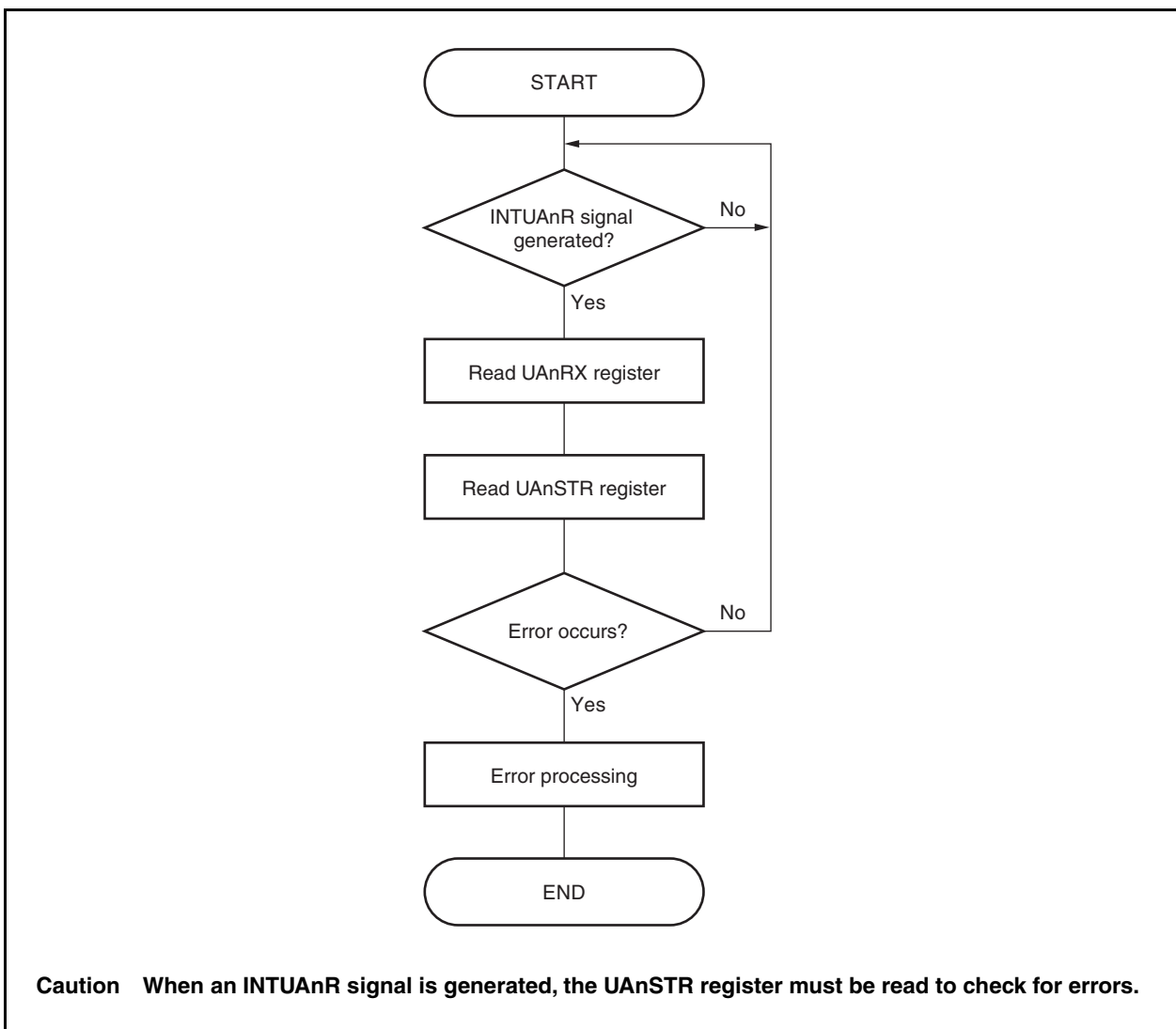
- Cautions**
1. Be sure to read the UAnRX register even when a reception error occurs. If the UAnRX register is not read, an overrun error occurs during reception of the next data, and reception errors continue occurring indefinitely.
  2. The operation during reception is performed assuming that there is only one stop bit. A second stop bit is ignored.
  3. When reception is completed, read the UAnRX register after the reception complete interrupt request signal (INTUAnR) has been generated, and clear the UAnPWR or UAnRXE bit to 0. If the UAnPWR or UAnRXE bit is cleared to 0 before the INTUAnR signal is generated, the read value of the UAnRX register cannot be guaranteed.
  4. If receive completion processing (INTUAnR signal generation) of UARTAn and the UAnPWR bit = 0 or UAnRXE bit = 0 conflict, the INTUAnR signal may be generated in spite of these being no data stored in the UAnRX register.  
To complete reception without waiting INTUAnR signal generation, be sure to clear (0) the interrupt request flag (UAnRIF) of the UAnRIC register, after setting (1) the interrupt mask flag (UAnRMK) of the interrupt control register (UAnRIC) and then set (1) the UAnPWR bit = 0 or UAnRXE bit = 0.

### 13.5.5 Reception errors

Errors during a receive operation are of three types: parity errors, framing errors, and overrun errors. Data reception result error flags are set in the UAnSTR register and a reception complete interrupt request signal (INTUAnR) is output when an error occurs.

It is possible to ascertain which error occurred during reception by reading the contents of the UAnSTR register. Clear the reception error flag by writing 0 to it after reading it.

- Receive data read flow



- Reception error causes

| Error Flag | Reception Error | Cause                                                                     |
|------------|-----------------|---------------------------------------------------------------------------|
| UAnPE      | Parity error    | Received parity bit does not match the setting                            |
| UAnFE      | Framing error   | Stop bit not detected                                                     |
| UAnOVE     | Overrun error   | Reception of next data completed before data was read from UAnRX register |

When reception errors occur, perform the following procedures depending upon the kind of error.

- Parity error  
If false data is received due to problems such as noise in the reception line, discard the received data and retransmit.
- Framing error  
A baud rate error may have occurred between the reception side and transmission side or the start bit may have been erroneously detected. Since this is a fatal error for the communication format, check the operation stop in the transmission side, perform initialization processing each other, and then start the communication again.
- Overrun error  
Since the next reception is completed before reading receive data, 1 frame of data is discarded. If this data was needed, do a retransmission.

**Caution** If a receive error interrupt occurs during continuous reception, read the contents of the UAnSTR register must be read before the next reception is completed, then perform error processing.

### 13.5.6 Parity types and operations

The parity bit is used to detect bit errors in the communication data. Normally the same parity is used on the transmission side and the reception side.

In the case of even parity and odd parity, it is possible to detect odd-count bit errors. In the case of 0 parity and no parity, errors cannot be detected.

#### (a) Even parity

##### (i) During transmission

The number of bits whose value is “1” among the transmit data, including the parity bit, is controlled so as to be an even number. The parity bit values are as follows.

- Odd number of bits whose value is “1” among transmit data: 1
- Even number of bits whose value is “1” among transmit data: 0

##### (ii) During reception

The number of bits whose value is “1” among the reception data, including the parity bit, is counted, and if it is an odd number, a parity error is output.

#### (b) Odd parity

##### (i) During transmission

Opposite to even parity, the number of bits whose value is “1” among the transmit data, including the parity bit, is controlled so that it is an odd number. The parity bit values are as follows.

- Odd number of bits whose value is “1” among transmit data: 0
- Even number of bits whose value is “1” among transmit data: 1

##### (ii) During reception

The number of bits whose value is “1” among the receive data, including the parity bit, is counted, and if it is an even number, a parity error is output.

#### (c) 0 parity

During transmission, the parity bit is always made 0, regardless of the transmit data.

During reception, parity bit check is not performed. Therefore, no parity error occurs, regardless of whether the parity bit is 0 or 1.

#### (d) No parity

No parity bit is added to the transmit data.

Reception is performed assuming that there is no parity bit. No parity error occurs since there is no parity bit.

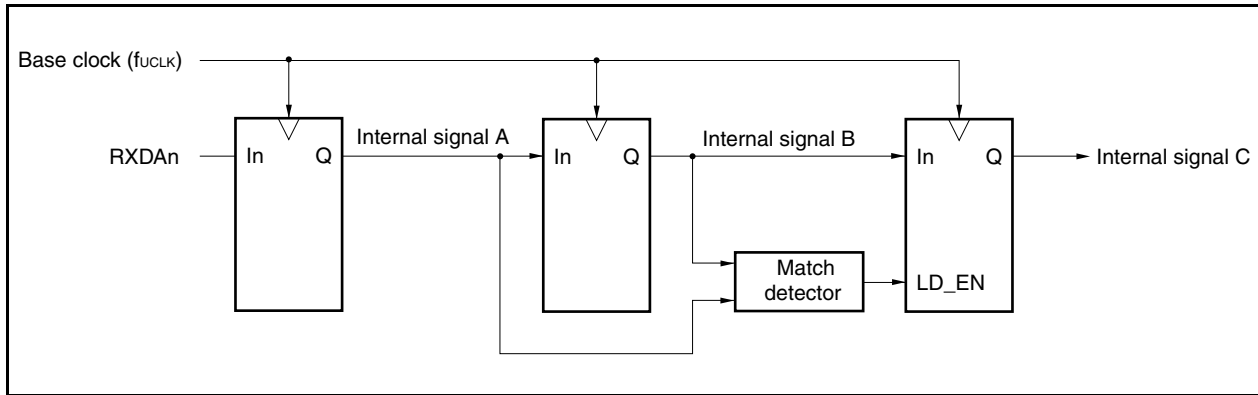
**13.5.7 Receive data noise filter**

This filter samples the RXDAn pin using the base clock ( $f_{CLK}$ ) of the prescaler output.

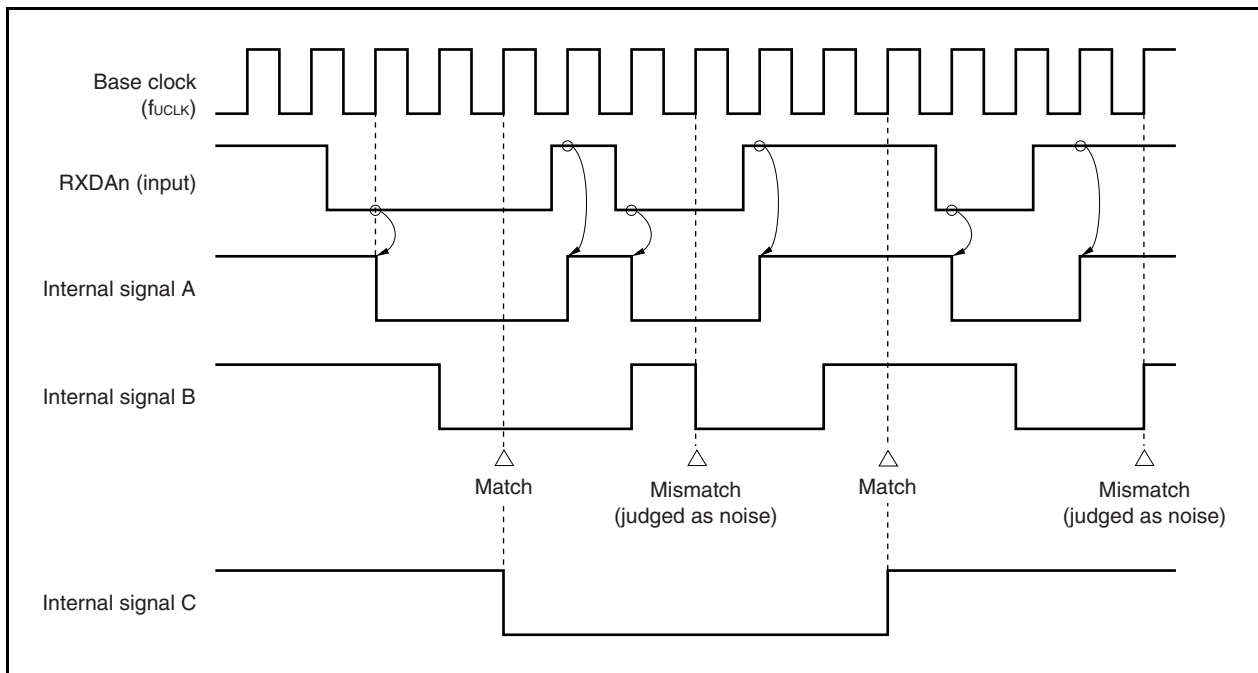
When the same sampling value is read twice, the match detector output changes and the RXDAn signal is sampled as the input data. Therefore, data not exceeding 2 clock width is judged to be noise and is not delivered to the internal circuit (see **Figure 13-8**). See **13.6 (1) (a) Base clock** regarding the base clock.

Moreover, since the circuit is as shown in Figure 13-7, the processing that goes on within the receive operation is delayed by 3 clocks in relation to the external signal status.

**Figure 13-7. Noise Filter Circuit**



**Figure 13-8. Timing of RXDAn Signal Judged as Noise**



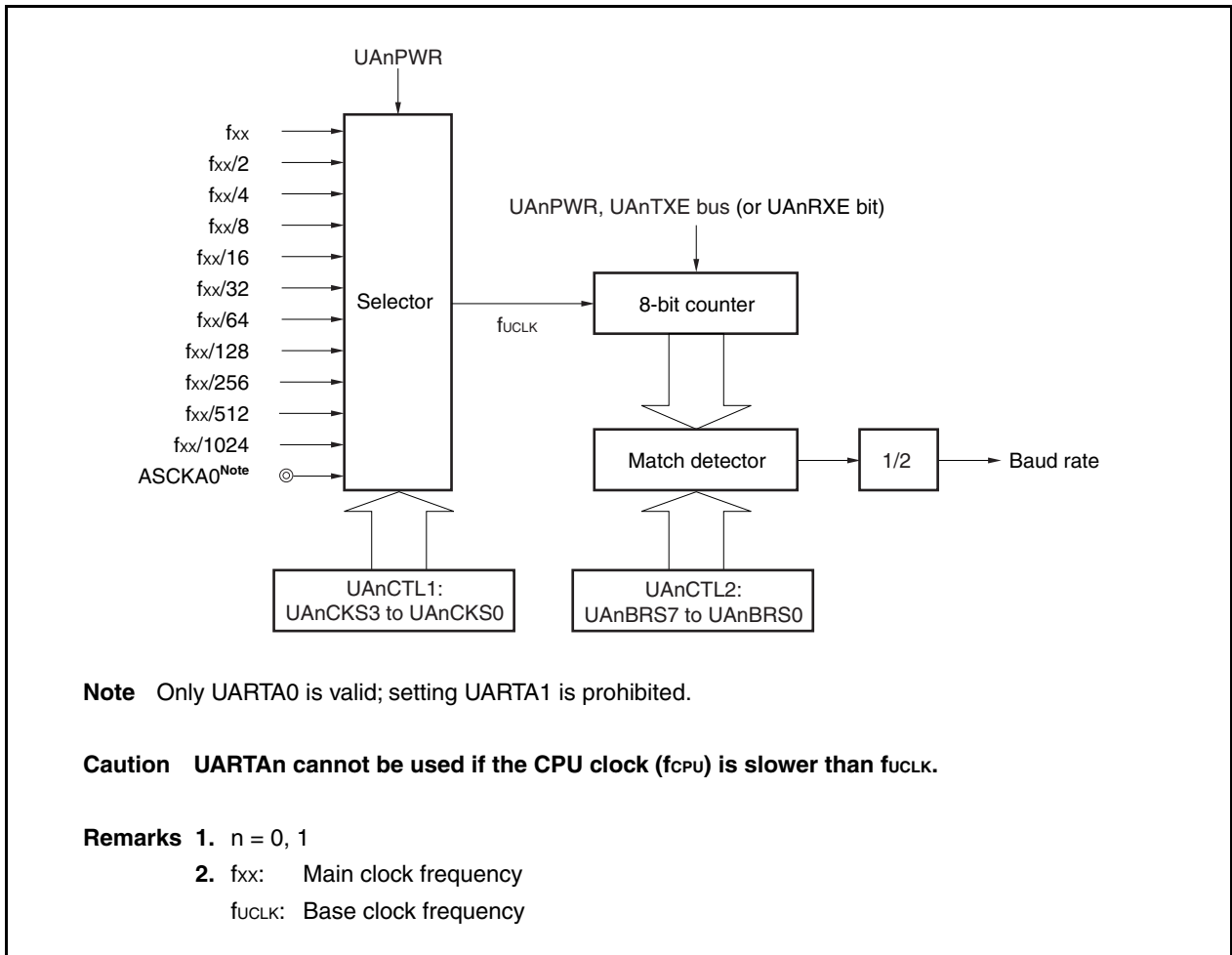
### 13.6 Dedicated Baud Rate Generator

The dedicated baud rate generator consists of a source clock selector block and an 8-bit programmable counter, and generates a serial clock during transmission and reception with UARTAn. Regarding the serial clock, a dedicated baud rate generator output can be selected for each channel.

There is an 8-bit counter for transmission and another one for reception.

#### (1) Baud rate generator configuration

Figure 13-9. Configuration of Baud Rate Generator



#### (a) Base clock

When the UAnCTL0.UAnPWR bit is 1, the clock selected by the UAnCTL1.UAnCK3 to UAnCTL1.UAnCK0 bits is supplied to the 8-bit counter. This clock is called the base clock ( $f_{uCLK}$ ). The base clock  $f_{uCLK}$  is fixed to the low level when the UAnPWR bit is 0.

#### (b) Serial clock generation

A serial clock can be generated by setting the UAnCTL1 register and the UAnCTL2 register ( $n = 0, 1$ ).

The base clock ( $f_{uCLK}$ ) is selected by UAnCTL1.UAnCK3 to UAnCTL1.UAnCK0 bits.

The frequency division value for the 8-bit counter can be set using the UAnCTL2.UAnBRS7 to UAnCTL2.UAnBRS0 bits.

**(2) UARTAn control register 1 (UAnCTL1)**

The UAnCTL1 register is an 8-bit register that selects the UARTAn base clock.

This register can be read or written in 8-bit units.

Reset sets this register to 00H.

**Caution** Clear the UAnCTL0.UAnPWR bit to 0 before rewriting the UAnCTL1 register.

After reset: 00H    R/W    Address: UA0CTL1 FFFFFFFA01H, UA1CTL1 FFFFFFFA11H

|         |   |   |   |   |         |         |         |         |
|---------|---|---|---|---|---------|---------|---------|---------|
|         | 7 | 6 | 5 | 4 | 3       | 2       | 1       | 0       |
| UAnCTL1 | 0 | 0 | 0 | 0 | UAnCKS3 | UAnCKS2 | UAnCKS1 | UAnCKS0 |

(n = 0, 1)

| UAnCKS3          | UAnCKS2 | UAnCKS1 | UAnCKS0 | Base clock (f <sub>CLK</sub> ) selection    |
|------------------|---------|---------|---------|---------------------------------------------|
| 0                | 0       | 0       | 0       | fxx                                         |
| 0                | 0       | 0       | 1       | fxx/2                                       |
| 0                | 0       | 1       | 0       | fxx/4                                       |
| 0                | 0       | 1       | 1       | fxx/8                                       |
| 0                | 1       | 0       | 0       | fxx/16                                      |
| 0                | 1       | 0       | 1       | fxx/32                                      |
| 0                | 1       | 1       | 0       | fxx/64                                      |
| 0                | 1       | 1       | 1       | fxx/128                                     |
| 1                | 0       | 0       | 0       | fxx/256                                     |
| 1                | 0       | 0       | 1       | fxx/512                                     |
| 1                | 0       | 1       | 0       | fxx/1,024                                   |
| 1                | 0       | 1       | 1       | External clock <sup>Note</sup> (ASCKA0 pin) |
| Other than above |         |         |         | Setting prohibited                          |

**Note** Only UARTA0 is valid; setting UARTA1 is prohibited.

**Remark** fxx: Main clock frequency



**(3) UARTAn control register 2 (UAnCTL2)**

The UAnCTL2 register is an 8-bit register that selects the baud rate (serial transfer speed) clock of UARTAn.

This register can be read or written in 8-bit units.

Reset sets this register to FFH.

**Caution** Clear the UAnCTL0.UAnPWR bit to 0 or clear the UAnTXE and UAnRXE bits to 00 before rewriting the UAnCTL2 register.

After reset FFH    R/W    Address: UA0CTL2 FFFFFFFA02H, UA1CTL2 FFFFFFFA12H

|   |   |   |   |   |   |   |   |
|---|---|---|---|---|---|---|---|
| 7 | 6 | 5 | 4 | 3 | 2 | 1 | 0 |
|---|---|---|---|---|---|---|---|

UAnCTL2    

|         |         |         |         |         |         |         |         |
|---------|---------|---------|---------|---------|---------|---------|---------|
| UAnBRS7 | UAnBRS6 | UAnBRS5 | UAnBRS4 | UAnBRS3 | UAnBRS2 | UAnBRS1 | UAnBRS0 |
|---------|---------|---------|---------|---------|---------|---------|---------|

(n = 0, 1)

| UAn BRS7 | UAn BRS6 | UAn BRS5 | UAn BRS4 | UAn BRS3 | UAn BRS2 | UAn BRS1 | UAn BRS0 | Default (k) | Serial clock           |
|----------|----------|----------|----------|----------|----------|----------|----------|-------------|------------------------|
| 0        | 0        | 0        | 0        | 0        | 0        | ×        | ×        | ×           | Setting prohibited     |
| 0        | 0        | 0        | 0        | 0        | 1        | 0        | 0        | 4           | f <sub>UCLK</sub> /4   |
| 0        | 0        | 0        | 0        | 0        | 1        | 0        | 1        | 5           | f <sub>UCLK</sub> /5   |
| 0        | 0        | 0        | 0        | 0        | 1        | 1        | 0        | 6           | f <sub>UCLK</sub> /6   |
| :        | :        | :        | :        | :        | :        | :        | :        | :           | :                      |
| 1        | 1        | 1        | 1        | 1        | 1        | 0        | 0        | 252         | f <sub>UCLK</sub> /252 |
| 1        | 1        | 1        | 1        | 1        | 1        | 0        | 1        | 253         | f <sub>UCLK</sub> /253 |
| 1        | 1        | 1        | 1        | 1        | 1        | 1        | 0        | 254         | f <sub>UCLK</sub> /254 |
| 1        | 1        | 1        | 1        | 1        | 1        | 1        | 1        | 255         | f <sub>UCLK</sub> /255 |

**Remark** f<sub>UCLK</sub>: Frequency of basic clock selected by the UAnCTL1.UAnCKS3 to UAnCTL1.UAnCKS0 bits

**(4) Baud rate**

The baud rate is obtained by the following equation.

$$\text{Baud rate} = \frac{f_{\text{UCLK}}}{2 \times k} \text{ [bps]}$$

When using the internal clock, the equation will be as follows (when using the ASCKA0 pin as clock at UARTA0, calculate using the above equation).

$$\text{Baud rate} = \frac{f_{\text{xx}}}{2^{m+1} \times k} \text{ [bps]}$$

**Remark**  $f_{\text{UCLK}}$  = Frequency of base clock selected by the UAnCTL1.UAnCKS3 to UAnCTL1.UAnCKS0 bits  
 $f_{\text{xx}}$ : Main clock frequency  
 $m$  = Value set using the UAnCTL1.UAnCKS3 to UAnCTL1.UAnCKS0 bits ( $m = 0$  to  $10$ )  
 $k$  = Value set using the UAnCTL2.UAnBRS7 to UAnCTL2.UAnBRS0 bits ( $k = 4$  to  $255$ )

The baud rate error is obtained by the following equation.

$$\begin{aligned} \text{Error (\%)} &= \left( \frac{\text{Actual baud rate (baud rate with error)}}{\text{Target baud rate (correct baud rate)}} - 1 \right) \times 100 \text{ [\%]} \\ &= \left( \frac{f_{\text{UCLK}}}{2 \times k \times \text{Target baud rate}} - 1 \right) \times 100 \text{ [\%]} \end{aligned}$$

When using the internal clock, the equation will be as follows (when using the ASCKA0 pin as clock at UARTA0, calculate the baud rate error using the above equation).

$$\text{Error (\%)} = \left( \frac{f_{\text{xx}}}{2^{m+1} \times k \times \text{Target baud rate}} - 1 \right) \times 100 \text{ [\%]}$$

- Cautions**
1. The baud rate error during transmission must be within the error tolerance on the receiving side.
  2. The baud rate error during reception must satisfy the range indicated in (5) Allowable baud rate range during reception.

To set the baud rate, perform the following calculation for setting the UAnCTL1 and UAnCTL2 registers (when using internal clock).

- <1> Set k to  $f_{xx}/(2 \times \text{target baud rate})$  and m to 0.
- <2> If k is 256 or greater ( $k \geq 256$ ), reduce k to half ( $k/2$ ) and increment m by 1 ( $m + 1$ ).
- <3> Repeat Step <2> until k becomes less than 256 ( $k < 256$ ).
- <4> Round off the first decimal point of k to the nearest whole number.  
If k becomes 256 after round-off, perform Step <2> again to set k to 128.
- <5> Set the value of m to UAnCTL1 register and the value of k to the UAnCTL2 register.

Example: When  $f_{xx} = 20 \text{ MHz}$  and target baud rate = 153,600 bps

<1>  $k = 20,000,000/(2 \times 153,600) = 65.10\dots$ ,  $m = 0$

<2>, <3>  $k = 65.10\dots < 256$ ,  $m = 0$

<4> Set value of UAnCTL2 register:  $k = 65 = 41\text{H}$ , set value of UAnCTL1 register:  $m = 0$

Actual baud rate =  $20,000,000/(2 \times 65)$   
= 153,846 [bps]

Baud rate error =  $\{20,000,000/(2 \times 65 \times 153,600) - 1\} \times 100$   
= 0.160 [%]

The representative examples of baud rate settings are shown below.

**Table 13-3. Baud Rate Generator Setting Data**

| Baud Rate<br>(bps) | $f_{xx} = 20 \text{ MHz}$ |         |         | $f_{xx} = 18.874 \text{ MHz}$ |         |         | $f_{xx} = 16 \text{ MHz}$ |         |         | $f_{xx} = 10 \text{ MHz}$ |         |         |
|--------------------|---------------------------|---------|---------|-------------------------------|---------|---------|---------------------------|---------|---------|---------------------------|---------|---------|
|                    | UAnCTL1                   | UAnCTL2 | ERR (%) | UAnCTL1                       | UAnCTL2 | ERR (%) | UAnCTL1                   | UAnCTL2 | ERR (%) | UAnCTL1                   | UAnCTL2 | ERR (%) |
| 300                | 08H                       | 82H     | 0.16    | 07H                           | F6H     | -0.10   | 07H                       | D0H     | 0.16    | 07H                       | 82H     | 0.16    |
| 600                | 07H                       | 82H     | 0.16    | 06H                           | F6H     | -0.10   | 06H                       | D0H     | 0.16    | 06H                       | 82H     | 0.16    |
| 1,200              | 06H                       | 82H     | 0.16    | 05H                           | F6H     | -0.10   | 05H                       | D0H     | 0.16    | 05H                       | 82H     | 0.16    |
| 2,400              | 05H                       | 82H     | 0.16    | 04H                           | F6H     | -0.10   | 04H                       | D0H     | 0.16    | 04H                       | 82H     | 0.16    |
| 4,800              | 04H                       | 82H     | 0.16    | 03H                           | F6H     | -0.10   | 03H                       | D0H     | 0.16    | 03H                       | 82H     | 0.16    |
| 9,600              | 03H                       | 82H     | 0.16    | 02H                           | F6H     | -0.10   | 02H                       | D0H     | 0.16    | 02H                       | 82H     | 0.16    |
| 19,200             | 02H                       | 82H     | 0.16    | 01H                           | F6H     | -0.10   | 01H                       | D0H     | 0.16    | 01H                       | 82H     | 0.16    |
| 31,250             | 01H                       | A0H     | 0.00    | 01H                           | 97H     | -0.01   | 01H                       | 80H     | 0.00    | 00H                       | A0H     | 0.00    |
| 38,400             | 01H                       | 82H     | 0.16    | 00H                           | F6H     | -0.10   | 00H                       | D0H     | 0.16    | 00H                       | 82H     | 0.16    |
| 76,800             | 00H                       | 82H     | 0.16    | 00H                           | 7BH     | -0.10   | 00H                       | 68H     | 0.16    | 00H                       | 41H     | 0.16    |
| 153,600            | 00H                       | 41H     | 0.16    | 00H                           | 3DH     | 0.72    | 00H                       | 34H     | 0.16    | 00H                       | 21H     | -1.36   |
| 312,500            | 00H                       | 20H     | 0.00    | 00H                           | 1EH     | 0.66    | 00H                       | 1AH     | -1.54   | 00H                       | 10H     | 0.00    |

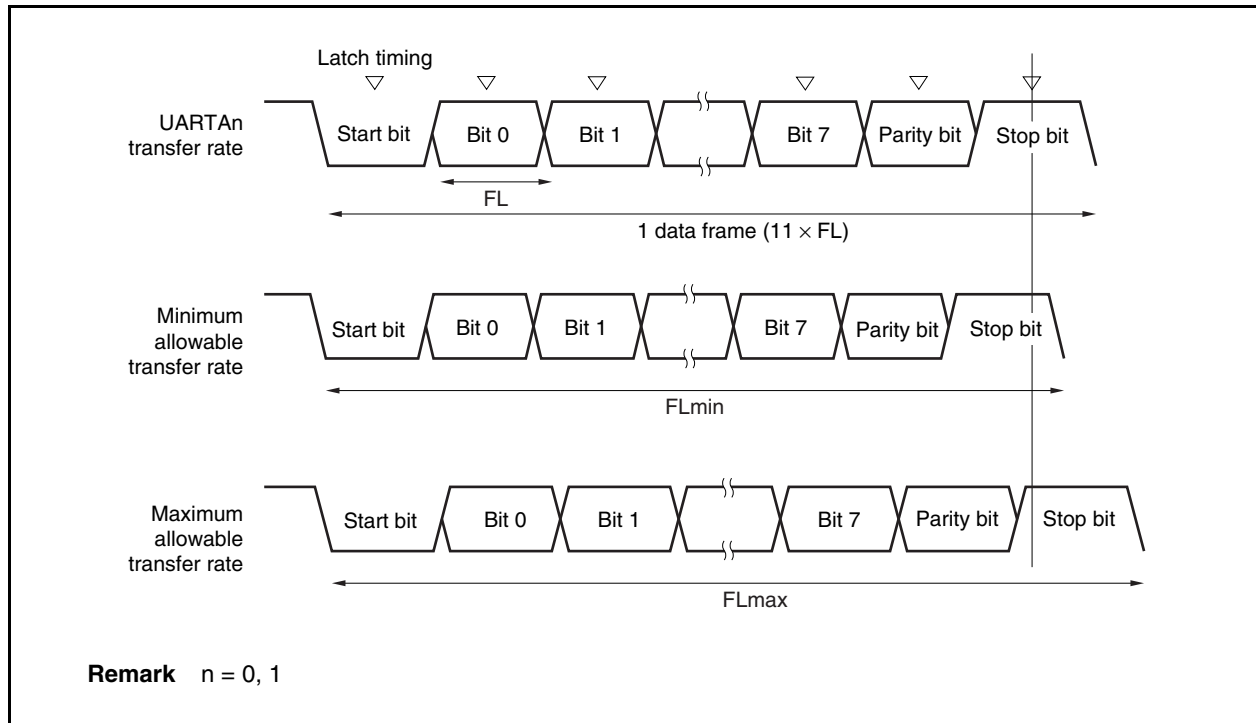
**Remark**  $f_{xx}$ : Main clock frequency  
ERR: Baud rate error (%)

**(5) Allowable baud rate range during reception**

The baud rate error range at the destination that is allowable during reception is shown below.

**Caution** The baud rate error during reception must be set within the allowable error range using the following equation.

**Figure 13-10. Allowable Baud Rate Range During Reception**



As shown in Figure 13-10, the receive data latch timing is determined by the counter set using the UAnCTL2 register following start bit detection. The transmit data can be normally received if up to the last data (stop bit) can be received in time for this latch timing.

When this is applied to 11-bit reception, the following is the theoretical result.

$$FL = (\text{Brate})^{-1}$$

Brate: UARTAn baud rate ( $n = 0, 1$ )

k: Setting value of UAnCTL2.UAnBRS7 to UAnCTL2.UAnBRS0 bits ( $n = 0, 1$ )

FL: 1-bit data length

Latch timing margin: 2 clocks

$$\text{Minimum allowable transfer rate: } FL_{\min} = 11 \times FL - \frac{k-2}{2k} \times FL = \frac{21k+2}{2k} FL$$

Therefore, the maximum baud rate that can be received by the destination is as follows.

$$BR_{max} = (FL_{min}/11)^{-1} = \frac{22k}{21k + 2} \text{ Brate}$$

Similarly, obtaining the following maximum allowable transfer rate yields the following.

$$\frac{10}{11} \times FL_{max} = 11 \times FL - \frac{k + 2}{2 \times k} \times FL = \frac{21k - 2}{2 \times k} FL$$

$$FL_{max} = \frac{21k - 2}{20 k} FL \times 11$$

Therefore, the minimum baud rate that can be received by the destination is as follows.

$$BR_{min} = (FL_{max}/11)^{-1} = \frac{20k}{21k - 2} \text{ Brate}$$

Obtaining the allowable baud rate error for UARTA and the destination from the above-described equations for obtaining the minimum and maximum baud rate values yields the following.

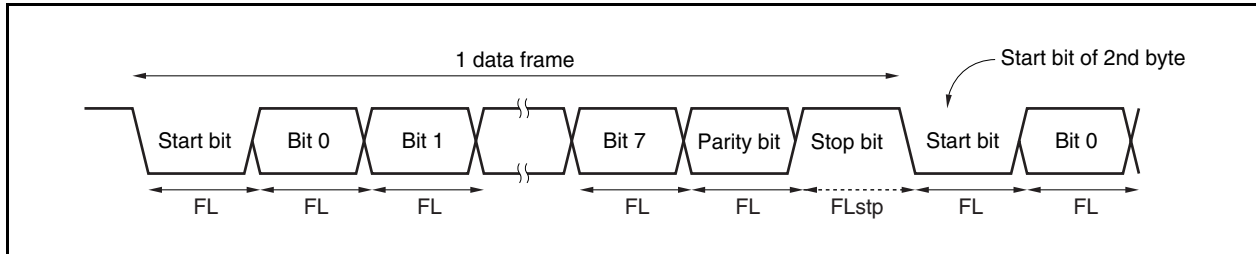
**Table 13-4. Maximum/Minimum Allowable Baud Rate Error**

| Division Ratio (k) | Maximum Allowable Baud Rate Error | Minimum Allowable Baud Rate Error |
|--------------------|-----------------------------------|-----------------------------------|
| 4                  | +2.32%                            | -2.43%                            |
| 8                  | +3.52%                            | -3.61%                            |
| 20                 | +4.26%                            | -4.30%                            |
| 50                 | +4.56%                            | -4.58%                            |
| 100                | +4.66%                            | -4.67%                            |
| 255                | +4.72%                            | -4.72%                            |

- Remarks 1.** The reception accuracy depends on the bit count in 1 frame, the input clock frequency, and the division ratio (k). The higher the input clock frequency and the larger the division ratio (k), the higher the accuracy.
- 2.** k: Setting value of UAnCTL2.UAnBRS7 to UAnCTL2.UAnBRS0 bits (n = 0, 1)

**(6) Baud rate during continuous transmission**

During continuous transmission, the transfer rate from the stop bit to the next start bit is usually 2 base clocks longer. However, timing initialization is performed via start bit detection by the receiving side, so this has no influence on the transfer result.

**Figure 13-11. Transfer Rate During Continuous Transfer**

Assuming 1 bit data length: FL; stop bit length: FLstp; and base clock frequency:  $f_{\text{UCLK}}$ , we obtain the following equation.

$$\text{FLstp} = \text{FL} + 2/f_{\text{UCLK}}$$

Therefore, the transfer rate during continuous transmission is as follows.

$$\text{Transfer rate} = 11 \times \text{FL} + (2/f_{\text{UCLK}})$$

### 13.7 Cautions

- (1) When the clock supply to UARTAn is stopped (for example, in IDLE1, IDLE2, or STOP mode), the operation stops with each register retaining the value it had immediately before the clock supply was stopped. The TXDAn pin output also holds and outputs the value it had immediately before the clock supply was stopped. However, the operation is not guaranteed after the clock supply is resumed. Therefore, after the clock supply is resumed, the circuits should be initialized by setting the UAnCTL0.UAnPWR, UAnCTL0.UAnRXEn, and UAnCTL0.UAnTXEn bits to 000.
- (2) The RXDA1 and KR7 pins must not be used at the same time. To use the RXDA1 pin, do not use the KR7 pin. To use the KR7 pin, do not use the RXDA1 pin (it is recommended to set the PFC91 bit to 1 and clear PFCE91 bit to 0).
- <R> (3) In UARTAn, the interrupt caused by a communication error does not occur. When performing the transfer of transmit data and receive data using DMA transfer ( $\mu$ PD703253Y only), error processing cannot be performed even if errors (parity, overrun, framing) occur during transfer. Either read the UAnSTR register after DMA transfer has been completed to make sure that there are no errors, or read the UAnSTR register during communication to check for errors.
- (4) Start up the UARTAn in the following sequence.
  - <1> Set the UAnCTL0.UAnPWR bit to 1.
  - <2> Set the ports.
  - <3> Set the UAnCTL0.UAnTXE bit to 1, UAnCTL0.UAnRXE bit to 1.
- (5) Stop the UARTAn in the following sequence.
  - <1> Set the UAnCTL0.UAnTXE bit to 0, UAnCTL0.UAnRXE bit to 0.
  - <2> Set the ports and set the UAnCTL0.UAnPWR bit to 0 (it is not a problem if port setting is not changed).
- (6) In transmit mode (UAnCTL0.UAnPWR bit = 1 and UAnCTL0.UAnTXE bit = 1), do not overwrite the same value to the UAnTX register by software because transmission starts by writing to this register. To transmit the same value continuously, overwrite the same value.
- (7) In continuous transmission, the communication rate from the stop bit to the next start bit is extended 2 base clocks more than usual. However, the reception side initializes the timing by detecting the start bit, so the reception result is not affected.

## CHAPTER 14 3-WIRE VARIABLE-LENGTH SERIAL I/O (CSIB)

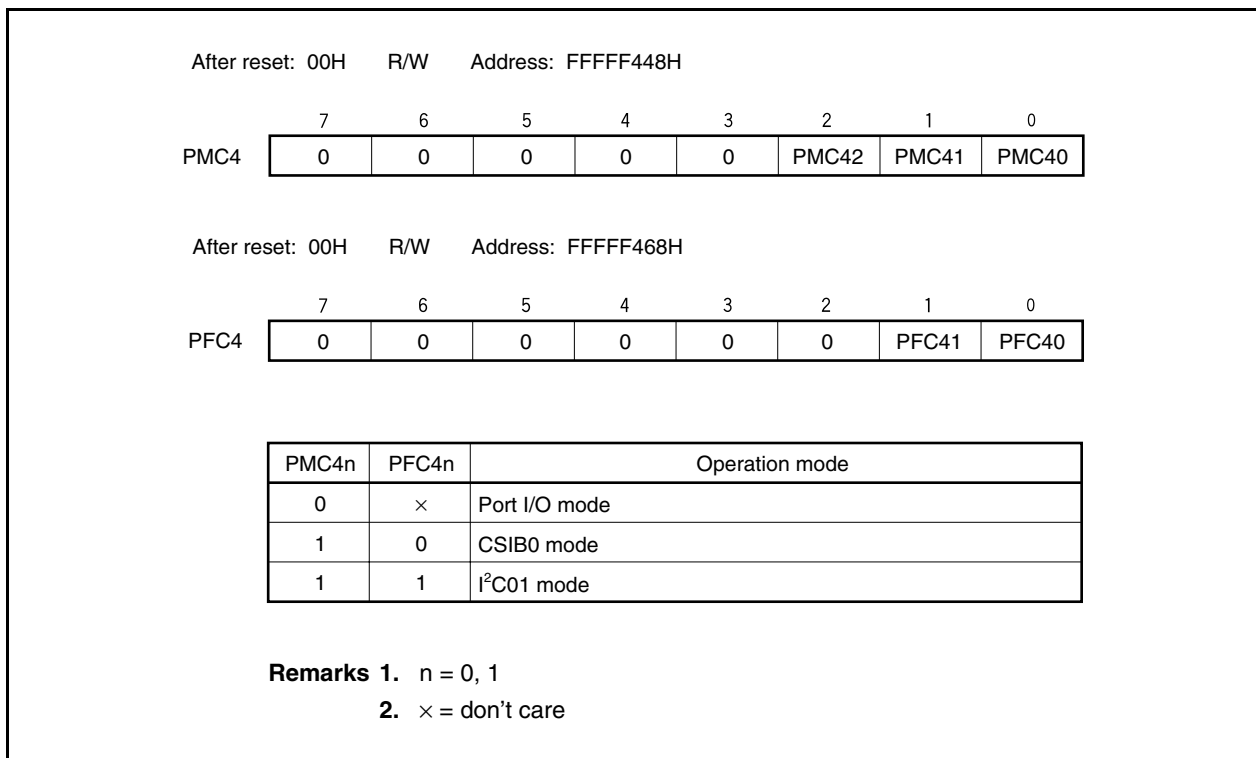
### 14.1 Mode Switching of CSIB and Other Serial Interfaces

#### 14.1.1 CSIB0 and I<sup>2</sup>C01 mode switching

In the V850ES/SG1, CSIB0 and I<sup>2</sup>C01 are alternate functions of the same pin and therefore cannot be used simultaneously. Set CSIB0 in advance, using the PMC4 and PFC4 registers, before use.

**Caution** The transmit/receive operation of CSIB0 and I<sup>2</sup>C01 is not guaranteed if these functions are switched during transmission or reception. Be sure to disable the one that is not used.

**Figure 14-1. CSIB0 and I<sup>2</sup>C01 Mode Switch Settings**





## 14.2 Features

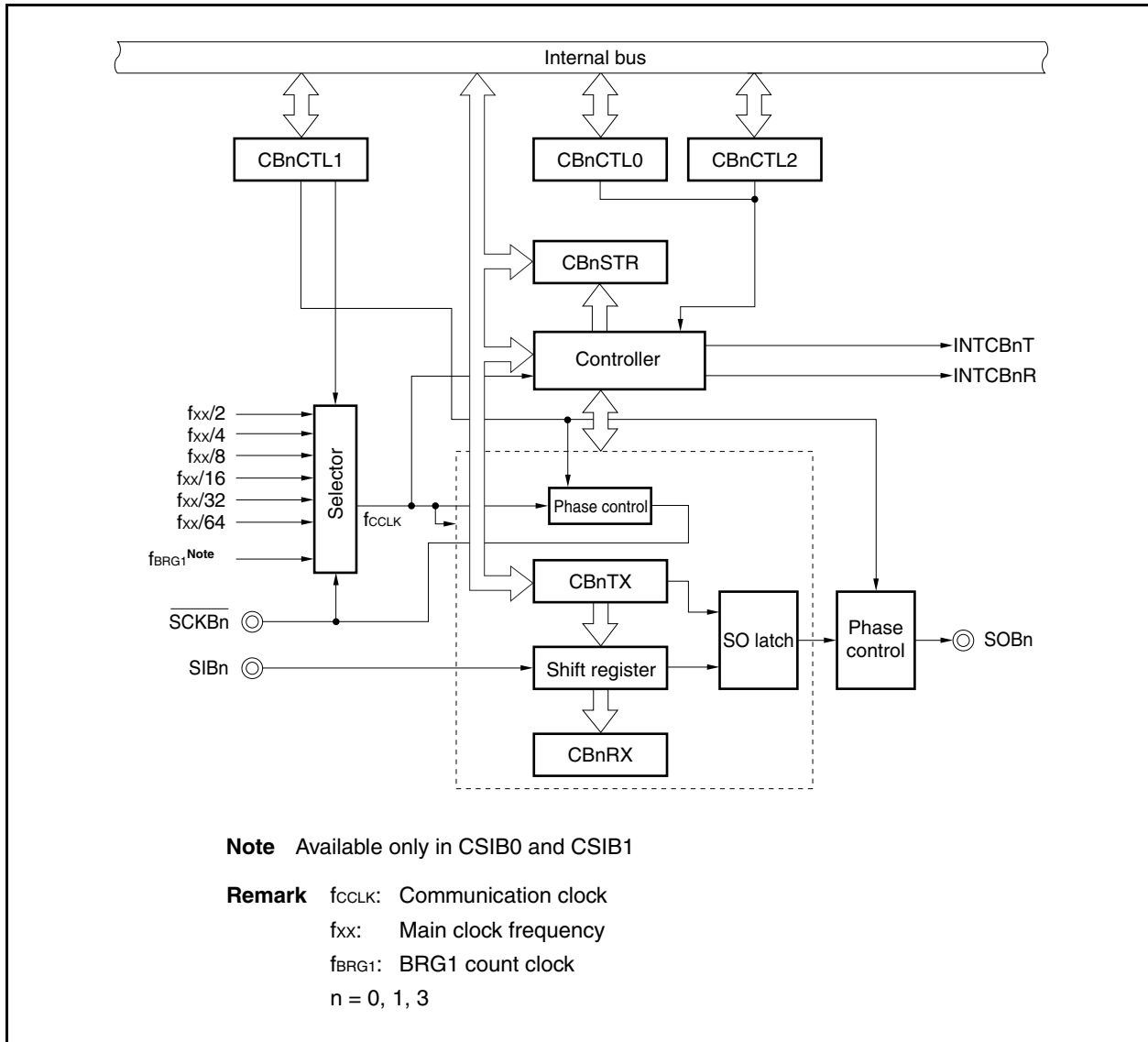
- Transfer rate: 8 Mbps Max. ( $f_{xx} = 20$  MHz, using internal clock)
  - Master mode and slave mode selectable
  - 8-bit to 16-bit transfer, 3-wire serial interface
  - Interrupt request signals (INTCBnT, INTCBnR)
  - Serial clock and data phase switchable
  - Transfer data length selectable in 1-bit units between 8 and 16 bits
  - Transfer data MSB-first/LSB-first switchable
  - 3-wire transfer   SOBn: Serial data output  
                      SIBn: Serial data input  
                      SCKBn: Serial clock output
- Transmission mode, reception mode, and transmission/reception mode specifiable

**Remark** n = 0, 1, 3

### 14.3 Configuration

The following shows the block diagram of CSIBn.

**Figure 14-2. Block Diagram of CSIBn**



CSIBn includes the following hardware.

**Table 14-1. Configuration of CSIBn**

| Item              | Configuration                                                                                                                                    |
|-------------------|--------------------------------------------------------------------------------------------------------------------------------------------------|
| Registers         | CSIBn receive data register (CBnRX)<br>CSIBn transmit data register (CBnTX)                                                                      |
| Control registers | CSIBn control register 0 (CBnCTL0)<br>CSIBn control register 1 (CBnCTL1)<br>CSIBn control register 2 (CBnCTL2)<br>CSIBn status register (CBnSTR) |

**(1) CSIBn receive data register (CBnRX)**

The CBnRX register is a 16-bit buffer register that holds receive data.

This register is read-only, in 16-bit units.

The receive operation is started by reading the CBnRX register in the reception enabled status.

If the transfer data length is 8 bits, the lower 8 bits of this register are read-only in 8-bit units as the CBnRXL register.

Reset sets this register to 0000H.

In addition to reset input, the CBnRX register can be initialized by clearing (to 0) the CBnPWR bit of the CBnCTL0 register.



**(2) CSIBn transmit data register (CBnTX)**

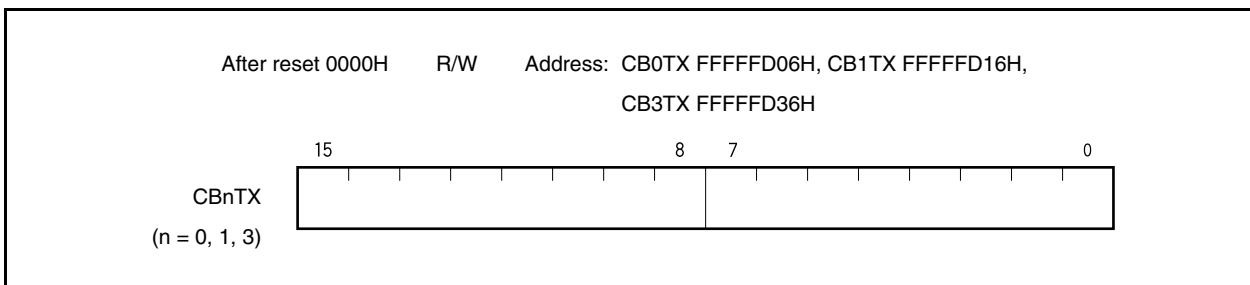
The CBnTX register is a 16-bit buffer register used to write the CSIBn transfer data.

This register can be read or written in 16-bit units.

The transmit operation is started by writing data to the CBnTX register in the transmission enabled status.

If the transfer data length is 8 bits, the lower 8 bits of this register are read-only in 8-bit units as the CBnTXL register.

Reset sets this register to 0000H.



**Remark** The communication start conditions are shown below.

- Transmission mode (CBnTXE bit = 1, CBnRXE bit = 0): Write to CBnTX register
- Transmission/reception mode (CBnTXE bit = 1, CBnRXE bit = 1): Write to CBnTX register
- Reception mode (CBnTXE bit = 0, CBnRXE bit = 1): Read from CBnRX register

## 14.4 Registers

The following registers are used to control CSIBn.

- CSIBn control register 0 (CBnCTL0)
- CSIBn control register 1 (CBnCTL1)
- CSIBn control register 2 (CBnCTL2)
- CSIBn status register (CBnSTR)

### (1) CSIBn control register 0 (CBnCTL0)

CBnCTL0 is a register that controls the CSIBn serial transfer operation.

This register can be read or written in 8-bit or 1-bit units.

Reset sets this register to 01H.

(1/3)

After reset: 01H    R/W    Address: CB0CTL0 FFFFFFFD00H, CB1CTL0 FFFFFFFD10H,  
CB3CTL0 FFFFFFFD30H

|                          |        |                        |                        |                        |   |   |                        |        |
|--------------------------|--------|------------------------|------------------------|------------------------|---|---|------------------------|--------|
|                          | <7>    | <6>                    | <5>                    | <4>                    | 3 | 2 | 1                      | <0>    |
| CBnCTL0<br>(n = 0, 1, 3) | CBnPWR | CBnTXE <sup>Note</sup> | CBnRXE <sup>Note</sup> | CBnDIR <sup>Note</sup> | 0 | 0 | CBnTMS <sup>Note</sup> | CBnSCE |

|                                                                                |                                                       |
|--------------------------------------------------------------------------------|-------------------------------------------------------|
| CBnPWR                                                                         | Specification of CSIBn operation disable/enable       |
| 0                                                                              | Disable CSIBn operation and reset the CBnSTR register |
| 1                                                                              | Enable CSIBn operation                                |
| • The CBnPWR bit controls the CSIBn operation and resets the internal circuit. |                                                       |

|                                                          |                                                    |
|----------------------------------------------------------|----------------------------------------------------|
| CBnTXE <sup>Note</sup>                                   | Specification of transmit operation disable/enable |
| 0                                                        | Disable transmit operation                         |
| 1                                                        | Enable transmit operation                          |
| • The SOBn output is low level when the CBnTXE bit is 0. |                                                    |

|                                                                                                                                                                                                                                |                                                   |
|--------------------------------------------------------------------------------------------------------------------------------------------------------------------------------------------------------------------------------|---------------------------------------------------|
| CBnRXE <sup>Note</sup>                                                                                                                                                                                                         | Specification of receive operation disable/enable |
| 0                                                                                                                                                                                                                              | Disable receive operation                         |
| 1                                                                                                                                                                                                                              | Enable receive operation                          |
| • When the CBnRXE bit is cleared to 0, no reception complete interrupt is output even when the prescribed data is transferred in order to disable the receive operation, and the receive data (CBnRX register) is not updated. |                                                   |

**Note** These bits can only be rewritten when the CBnPWR bit = 0. However, CBnPWR bit = 1 can also be set at the same time as rewriting these bits.

**Cautions 1. To forcibly suspend transmission/reception, clear the CBnPWR bit instead of the CBnTXE and CBnRXE bit to 0.**

**At this time, the clock output is stopped.**

**2. Be sure to set bits 3 and 2 to “0”.**

<R>

| CBnDIR <sup>Note</sup> | Specification of transfer direction mode (MSB/LSB) |
|------------------------|----------------------------------------------------|
| 0                      | MSB-first transfer                                 |
| 1                      | LSB-first transfer                                 |

| CBnTMS <sup>Note</sup> | Transfer mode specification |
|------------------------|-----------------------------|
| 0                      | Single transfer mode        |
| 1                      | Continuous transfer mode    |

[In single transfer mode]

The reception complete interrupt (INTCBnR) occurs when communication is complete.

Even if transmission is enabled (CBnTXE bit = 1), the transmission enable interrupt (INTCBnT) does not occur.

If the next transmit data is written during communication (CBnSTR.CBnTSF bit = 1), it is ignored and the next communication is not started. Also, if reception-only communication is set (CBnTXE bit = 0, CBnRXE bit = 1), the next communication is not started even if the receive data is read during communication (CBnSTR.CBnTSF bit = 1).

[In continuous transfer mode]

The continuous transmission is enabled by writing the next transmit data during communication (CBnSTR.CBnTSF bit = 1). Writing the next transmission data is enabled after a transmission enable interrupt (INTCBnT) occurrence.

If reception-only communication is set (CBnTXE bit = 0, CBnRXE bit = 1) in the continuous transfer mode, the next reception is started continuously after a reception complete interrupt (INTCBnR) regardless of the read operation of the CBnRX register.

Therefore, read immediately the receive data from the CBnRX register. If this read operation is delayed, an overrun error (CBnOVE bit = 1) occurs.

**Note** These bits can only be rewritten when the CBnPWR bit = 0. However, the CBnPWR can be set to 1 at the same time as these bits are rewritten.

| CBnSCE | Specification of start transfer disable/enable |
|--------|------------------------------------------------|
| 0      | Communication start trigger invalid            |
| 1      | Communication start trigger valid              |

- In master mode  
This bit enables or disables the communication start trigger.
  - (a) In single transmission or transmission/reception mode, or continuous transmission or continuous transmission/reception mode  
The setting of the CBnSCE bit has no influence on communication operation.
  - (b) In single reception mode  
Clear the CBnSCE bit to 0 before reading the last receive data because reception is started by reading the receive data (CBnRX register) to disable the reception startup<sup>Note 1</sup>.
  - (c) In continuous reception mode  
Clear the CBnSCE bit to 0 one communication clock before reception of the last data is completed to disable the reception startup after the last data is received<sup>Note 2</sup>.
- In slave mode  
This bit enables or disables the communication start trigger.  
Set the CBnSCE bit to 1.<sup>Note 3</sup>

&lt;R&gt;

- Notes**
1. If the CBnSCE bit is read while it is 1, the next communication operation is started.
  2. The CBnSCE bit is not cleared to 0 one communication clock before the completion of the last data reception, the next communication operation is automatically started.  
To start the communication operation again after the last data has been read, set the CBnSCE bit to "1" and dummy-read the CBnRX register.
  3. To start the reception, dummy reading is necessary.

&lt;R&gt;

&lt;R&gt;

&lt;R&gt;

**(a) How to use CBnSCE bit****(i) In single reception mode**

- <1> When the reception of the last data is completed with INTCBnR interrupt servicing, clear the CBnSCE bit to 0, and then read the CBnRX register.
- <2> When the reception is disabled after the reception of the last data has been completed, check that the CBnSTR.CBnTSF bit is 0, and then clear the CBnPWR and CBnRXE bits to 0. To continue reception, set the CBnSCE bit to 1 and start the next receive operation by performing a dummy read of the CBnRX register.

**(ii) In continuous reception mode**

- <1> Clear the CBnSCE bit to 0 during reception of the last data with INTCBnR interrupt servicing by the reception before the last reception, and then read the CBnRX register.
- <2> After receiving the INTCBnR signal of the last reception, read the last data from the CBnRX register.
- <3> When the reception is disabled after the reception of the last data has been completed, check that the CBnSTR.CBnTSF bit is 0, and then clear the CBnPWR and CBnRXE bits to 0. To continue reception, set the CBnSCE bit to 1 and start the next receive operation by performing a dummy read of the CBnRX register.

**Caution** In continuous reception mode, the serial clock is not stopped until the reception executed when the CBnSCE bit is cleared to 0 is completed after the reception is started by a dummy read.

**(2) CSIBn control register 1 (CBnCTL1)**

CBnCTL1 is an 8-bit register that controls the CSIBn serial transfer operation.

This register can be read or written in 8-bit or 1-bit units.

Reset sets this register to 00H.

**Caution** The CBnCTL1 register can be rewritten only when the CBnCTL0.CBnPWR bit = 0.

After reset 00H R/W Address: CB0CTL1 FFFFFFFD01H, CB1CTL1 FFFFFFFD11H,  
CB3CTL1 FFFFFFFD31H

|         |   |   |   |        |        |         |         |         |
|---------|---|---|---|--------|--------|---------|---------|---------|
|         | 7 | 6 | 5 | 4      | 3      | 2       | 1       | 0       |
| CBnCTL1 | 0 | 0 | 0 | CBnCKP | CBnDAP | CBnCKS2 | CBnCKS1 | CBnCKS0 |

(n = 0, 1, 3)

|                      | CBnCKP | CBnDAP | Specification of data transmission/reception timing in relation to SCKBn |
|----------------------|--------|--------|--------------------------------------------------------------------------|
| Communication type 1 | 0      | 0      |                                                                          |
| Communication type 2 | 0      | 1      |                                                                          |
| Communication type 3 | 1      | 0      |                                                                          |
| Communication type 4 | 1      | 1      |                                                                          |

<R>

| CBnCKS2 | CBnCKS1 | CBnCKS0 | Communication clock (f <sub>CCLK</sub> ) <sup>Note 1</sup> | Mode        |
|---------|---------|---------|------------------------------------------------------------|-------------|
| 0       | 0       | 0       | f <sub>xx</sub> /2                                         | Master mode |
| 0       | 0       | 1       | f <sub>xx</sub> /4                                         | Master mode |
| 0       | 1       | 0       | f <sub>xx</sub> /8                                         | Master mode |
| 0       | 1       | 1       | f <sub>xx</sub> /16                                        | Master mode |
| 1       | 0       | 0       | f <sub>xx</sub> /32                                        | Master mode |
| 1       | 0       | 1       | f <sub>xx</sub> /64                                        | Master mode |
| 1       | 1       | 0       | f <sub>BRG1</sub> <sup>Note 2</sup>                        | Master mode |
| 1       | 1       | 1       | External clock (SCKBn)                                     | Slave mode  |

<R>

- Notes**
- Set the communication clock (f<sub>CCLK</sub>) to 8 MHz or lower.
  - Available only in CSIB0 and CSIB1  
For details of f<sub>BRG1</sub>, see **14.8 Baud Rate Generator**.



**(3) CSIBn control register 2 (CBnCTL2)**

CBnCTL2 is an 8-bit register that controls the number of CSIBn serial transfer bits.

This register can be read or written in 8-bit units.

Reset sets this register to 00H.

**Caution** The CBnCTL2 register can be rewritten only when the CBnCTL0.CBnPWR bit = 0 or when both the CBnTXE and CBnRXE bits = 0.

After reset: 00H    R/W    Address: CB0CTL2 FFFFFFFD02H, CB1CTL2 FFFFFFFD12H,  
CB3CTL2 FFFFFFFD32H

|   |   |   |   |        |        |        |        |
|---|---|---|---|--------|--------|--------|--------|
| 7 | 6 | 5 | 4 | 3      | 2      | 1      | 0      |
| 0 | 0 | 0 | 0 | CBnCL3 | CBnCL2 | CBnCL1 | CBnCL0 |

CBnCTL2  
(n = 0, 1, 3)

| CBnCL3 | CBnCL2 | CBnCL1 | CBnCL0 | Serial register bit length |
|--------|--------|--------|--------|----------------------------|
| 0      | 0      | 0      | 0      | 8 bits                     |
| 0      | 0      | 0      | 1      | 9 bits                     |
| 0      | 0      | 1      | 0      | 10 bits                    |
| 0      | 0      | 1      | 1      | 11 bits                    |
| 0      | 1      | 0      | 0      | 12 bits                    |
| 0      | 1      | 0      | 1      | 13 bits                    |
| 0      | 1      | 1      | 0      | 14 bits                    |
| 0      | 1      | 1      | 1      | 15 bits                    |
| 1      | ×      | ×      | ×      | 16 bits                    |

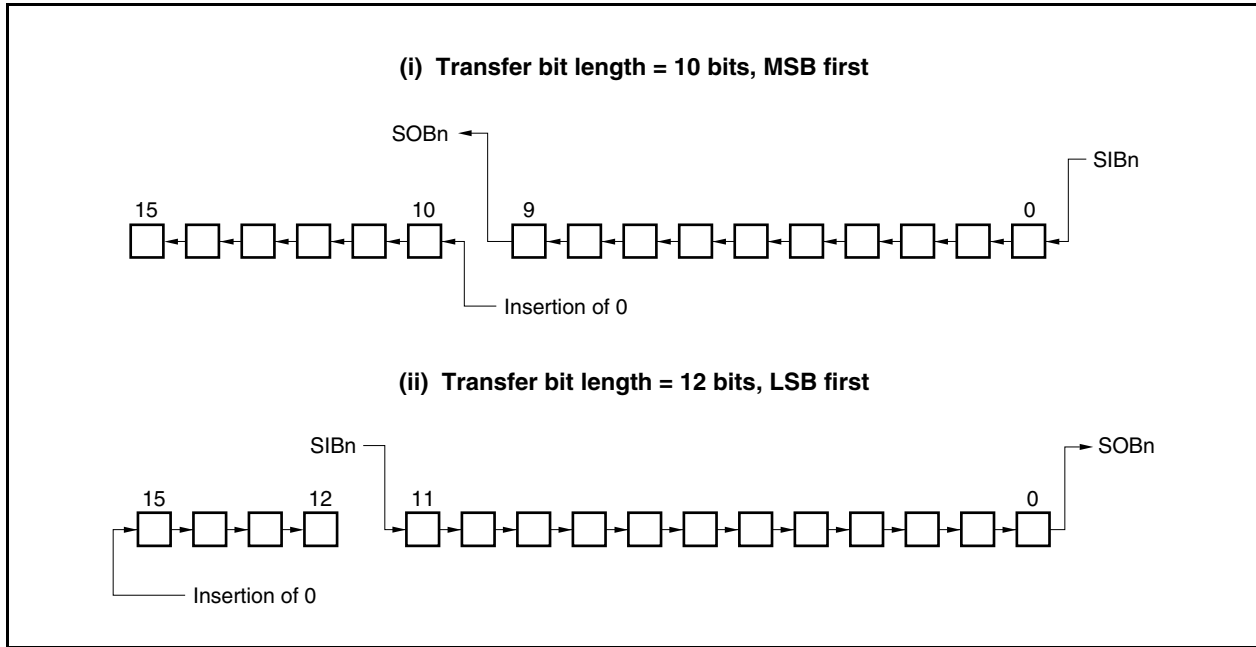
**Remarks**

1. If the number of transfer bits is other than 8 or 16, prepare and use data stuffed from the LSB of the CBnTX and CBnRX registers.
2. ×: don't care

**(a) Transfer data length change function**

The CSIB<sub>n</sub> transfer data length can be set in 1-bit units between 8 and 16 bits using the CBnCTL2.CBnCL3 to CBnCTL2.CBnCL0 bits.

When the transfer bit length is set to a value other than 16 bits, set the data to the CBnTX or CBnRX register starting from the LSB, regardless of whether the transfer start bit is the MSB or LSB. Any data can be set for the higher bits that are not used, but the receive data becomes 0 following serial transfer.



**(4) CSIBn status register (CBnSTR)**

CBnSTR is an 8-bit register that displays the CSIBn status.

This register can be read or written in 8-bit or 1-bit units, but the CBnTSF flag is read-only.

Reset sets this register to 00H.

In addition to reset input, the CBnSTR register can be initialized by clearing (0) the CBnCTL0.CBnPWR bit.

After reset 00H    R/W    Address: CB0STR FFFFFFFD03H, CB1STR FFFFFFFD13H,  
CB3STR FFFFFFFD33H

|                         |        |   |   |   |   |   |   |        |
|-------------------------|--------|---|---|---|---|---|---|--------|
|                         | <7>    | 6 | 5 | 4 | 3 | 2 | 1 | <0>    |
| CBnSTR<br>(n = 0, 1, 3) | CBnTSF | 0 | 0 | 0 | 0 | 0 | 0 | CBnOVE |

|                                                                                                                                                                                                                                                                                                                        |                           |
|------------------------------------------------------------------------------------------------------------------------------------------------------------------------------------------------------------------------------------------------------------------------------------------------------------------------|---------------------------|
| CBnTSF                                                                                                                                                                                                                                                                                                                 | Communication status flag |
| 0                                                                                                                                                                                                                                                                                                                      | Communication stopped     |
| 1                                                                                                                                                                                                                                                                                                                      | Communicating             |
| <ul style="list-style-type: none"> <li>• During transmission, this register is set when data is prepared in the CBnTX register, and during reception, it is set when a dummy read of the CBnRX register is performed.</li> <li>When transfer ends, this flag is cleared to 0 at the last edge of the clock.</li> </ul> |                           |

|                                                                                                                                                                                                                                                                                                                                                                                                                                                                                                                                                                                                                                                                                                                      |                    |
|----------------------------------------------------------------------------------------------------------------------------------------------------------------------------------------------------------------------------------------------------------------------------------------------------------------------------------------------------------------------------------------------------------------------------------------------------------------------------------------------------------------------------------------------------------------------------------------------------------------------------------------------------------------------------------------------------------------------|--------------------|
| CBnOVE                                                                                                                                                                                                                                                                                                                                                                                                                                                                                                                                                                                                                                                                                                               | Overrun error flag |
| 0                                                                                                                                                                                                                                                                                                                                                                                                                                                                                                                                                                                                                                                                                                                    | No overrun         |
| 1                                                                                                                                                                                                                                                                                                                                                                                                                                                                                                                                                                                                                                                                                                                    | Overrun            |
| <ul style="list-style-type: none"> <li>• An overrun error occurs when the next reception starts without reading the value of the CBnRX register by CPU, upon completion of the receive operation.</li> <li>The CBnOVE flag displays the overrun error occurrence status in this case.</li> <li>• The CBnOVE bit is valid also in the single transfer mode. Therefore, when only using transmission, note the following. <ul style="list-style-type: none"> <li>• Do not check the CBnOVE flag. (recommended)</li> <li>• Read this bit even if reading the reception data is not required.</li> </ul> </li> <li>• The CBnOVE flag is cleared by writing 0 to it. It cannot be set even by writing 1 to it.</li> </ul> |                    |

<R>

**Caution** In single transfer mode, writing to the CBnTX register with the CBnTSF bit set to 1 is ignored. This has no influence on the operation during transfer.

For example, if the next data is written to the CBnTX register when DMA is started by generating the INTCBnR signal ( $\mu$ PD703253Y only), the written data is not transferred because the CBnTSF bit is set to 1.

Use the continuous transfer mode, not the single transfer mode, for such applications.

**<R> 14.5 Interrupt Request Signals**

CSIBn can generate the following two types of interrupt request signals.

- Reception completion interrupt request signal (INTCBnR)
- Transmission enable interrupt request signal (INTCBnT)

Of these two interrupt request signals, the reception completion interrupt request signal has the higher priority by default, and the priority of the transmission enable interrupt request signal is lower.

**Table 14-2. Interrupts and Their Default Priority**

| Interrupt           | Priority |
|---------------------|----------|
| Reception complete  | High     |
| Transmission enable | Low      |

**(1) Reception completion interrupt request signal (INTCBnR)**

When receive data is transferred to the CBnRX register while reception is enabled, the reception completion interrupt request signal is generated.

This interrupt request signal can also be generated if an overrun error occurs.

When the reception completion interrupt request signal is acknowledged and the data is read, read the CBnSTR register to check that the result of reception is not an error.

In the single transfer mode, the INTCBnR interrupt request signal is generated upon completion of transmission, even when only transmission is executed.

**(2) Transmission enable interrupt request signal (INTCBnT)**

In the continuous transmission or continuous transmission/reception mode, transmit data is transferred from the CBnTX register and, as soon as writing to CBnTX has been enabled, the transmission enable interrupt request signal is generated.

In the single transmission and single transmission/reception modes, the INTCBnT interrupt is not generated.

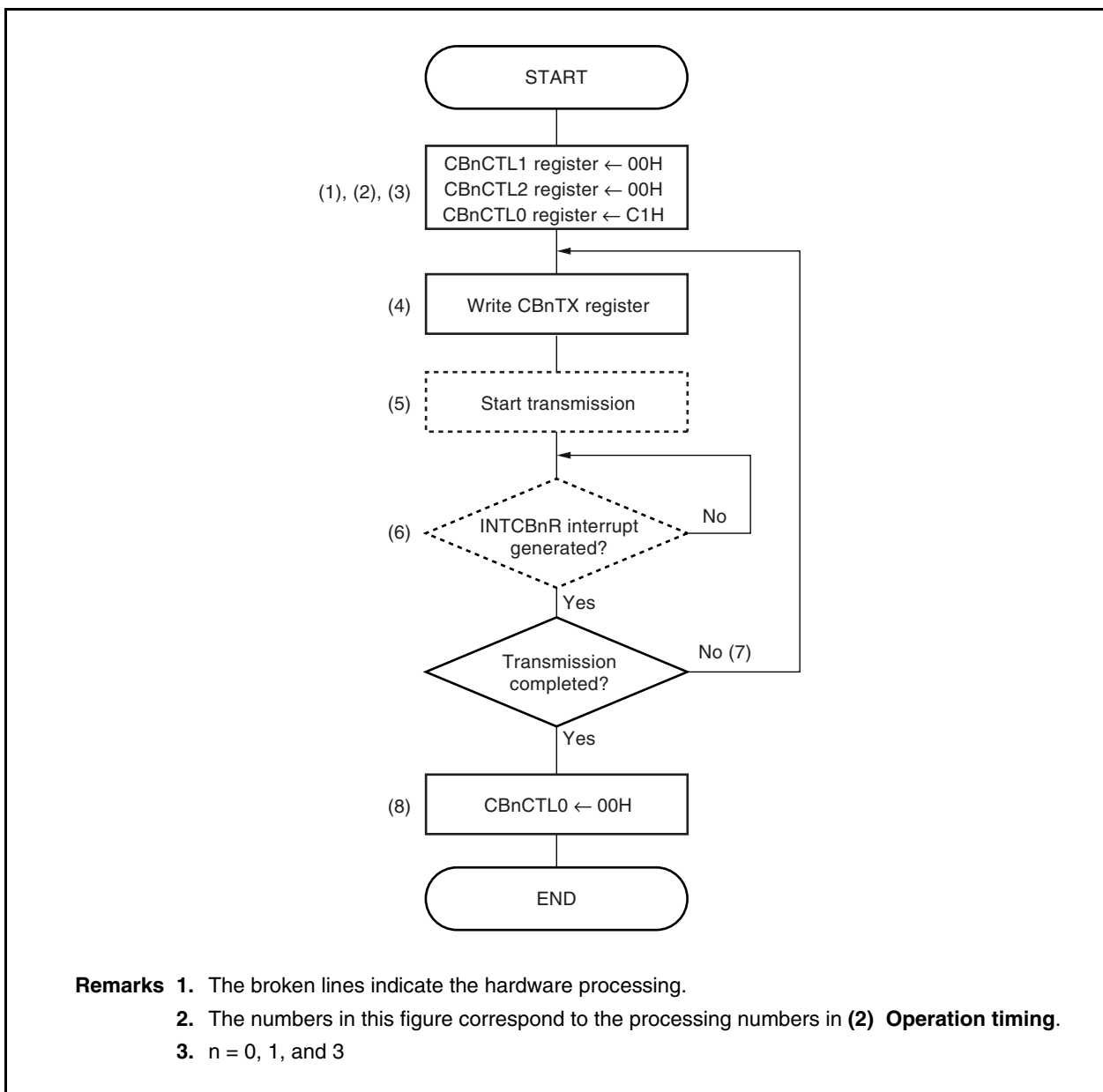
## 14.6 Operation

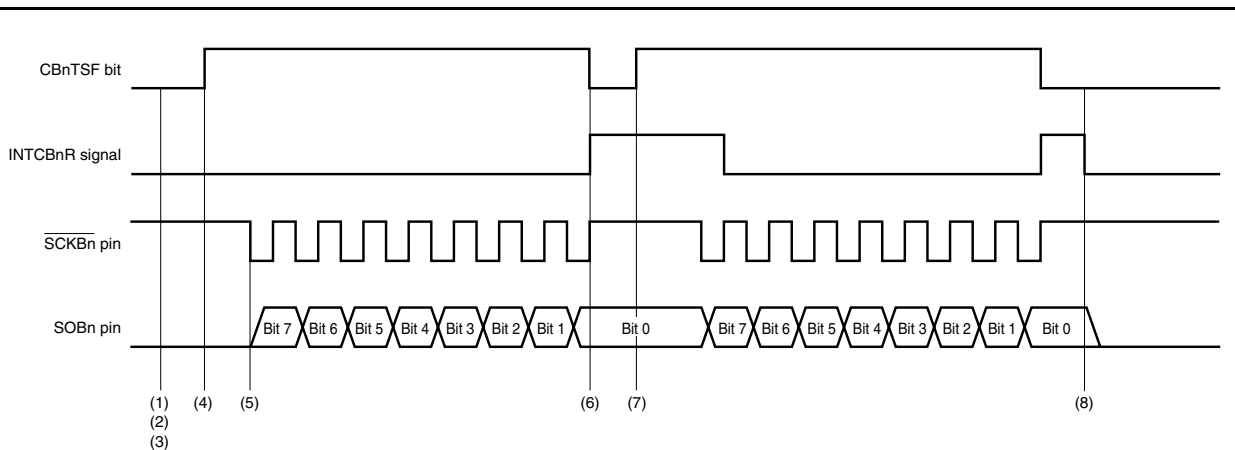
&lt;R&gt;

## 14.6.1 Single transfer mode (master mode, transmission mode)

MSB first (CBnCTL0.CBnDIR bit = 0), communication type 1 (CBnCTL1.CBnCKP and CBnCTL1.CBnDAP bits = 00), communication clock ( $f_{\text{CCLK}}$ ) =  $f_{\text{xx}}/2$  (CBnCTL1.CBnCKS2 to CBnCTL1.CBnCKS0 bits = 000), transfer data length = 8 bits (CBnCTL2.CBnCL3 to CBnCTL2.CBnCL0 bits = 0000)

## (1) Operation flow



**(2) Operation timing**

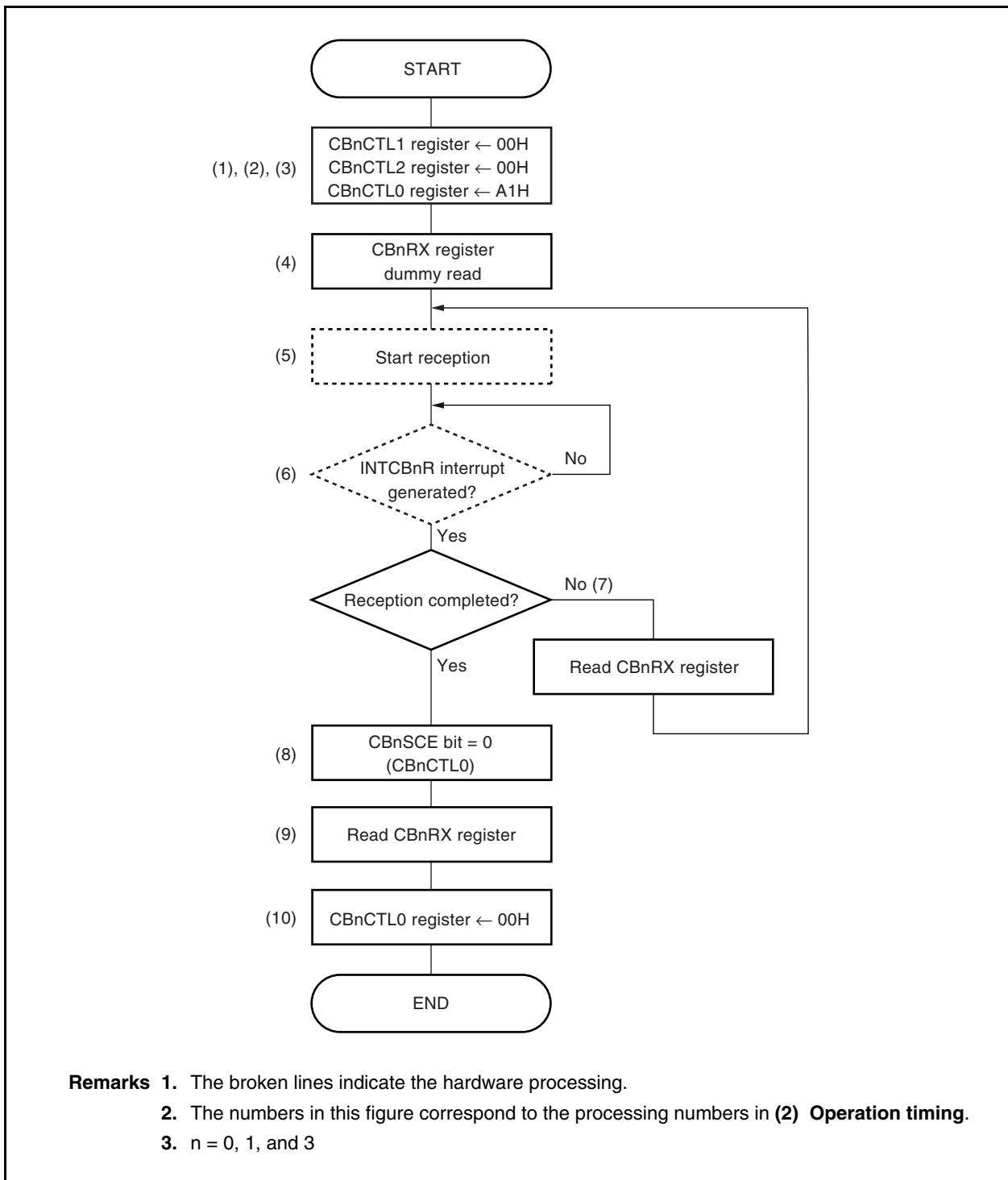
- (1) Write 00H to the CBnCTL1 register, and select communication type 1, communication clock ( $f_{\text{CLK}}$ ) =  $f_{\text{xx}}/2$ , and master mode.
- (2) Write 00H to the CBnCTL2 register, and set the transfer data length to 8 bits.
- (3) Write C1H to the CBnCTL0 register, and select the transmission mode and MSB first at the same time as enabling the operation of the communication clock ( $f_{\text{CLK}}$ ).
- (4) The CBnSTR.CBnTSF bit is set to 1 by writing the transmit data to the CBnTX register, and transmission is started.
- (5) When transmission is started, output the serial clock to the  $\overline{\text{SCKBn}}$  pin, and output the transmit data from the SOBn pin in synchronization with the serial clock.
- (6) When transmission of the transfer data length set with the CBnCTL2 register is completed, stop the serial clock output and transmit data output, generate the reception completion interrupt request signal (INTCBnR) at the last edge of the serial clock, and clear the CBnTSF bit to 0.
- (7) To continue transmission, start the next transmission by writing the transmit data to the CBnTX register again after the INTCBnR signal is generated.
- (8) To end transmission, write the CBnCTL0.CBnPWR bit = 0 and the CBnCTL0.CBnTXE bit = 0.

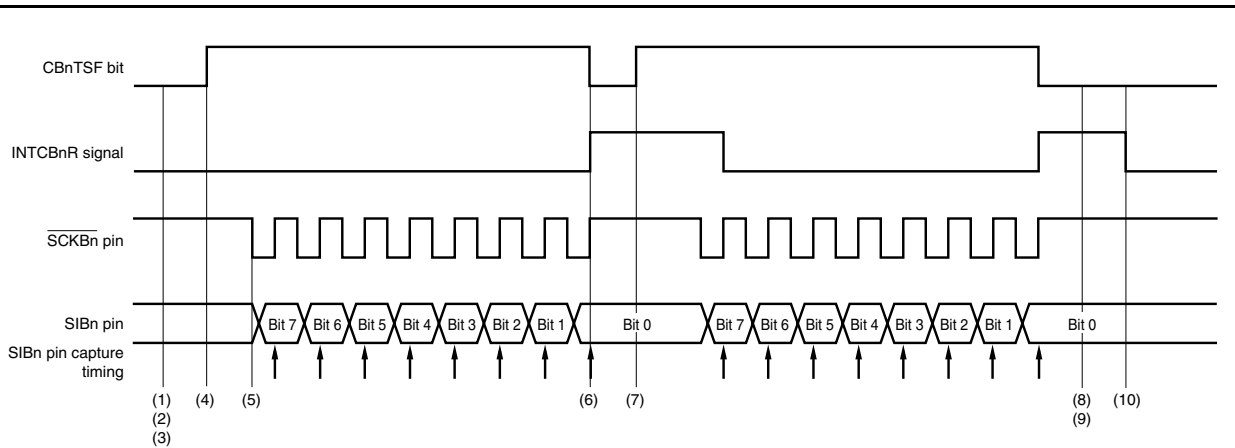
**Remark** n = 0, 1, and 3

&lt;R&gt;

**14.6.2 Single transfer mode (master mode, reception mode)**

MSB first (CBnCTL0.CBnDIR bit = 0), communication type 1 (CBnCTL1.CBnCKP and CBnCTL1.CBnDAP bits = 00), communication clock ( $f_{CLK}$ ) =  $f_{XX}/2$  (CBnCTL1.CBnCKS2 to CBnCTL1.CBnCKS0 bits = 000), transfer data length = 8 bits (CBnCTL2.CBnCL3 to CBnCTL2.CBnCL0 bits = 0000)

**(1) Operation flow**

**(2) Operation timing**

- (1) Write 00H to the CBnCTL1 register, and select communication type 1, communication clock ( $f_{\text{CLK}}$ ) =  $f_{\text{xx}}/2$ , and master mode.
- (2) Write 00H to the CBnCTL2 register, and set the transfer data length to 8 bits.
- (3) Write A1H to the CBnCTL0 register, and select the reception mode and MSB first at the same time as enabling the operation of the communication clock ( $f_{\text{CLK}}$ ).
- (4) The CBnSTR.CBnTSF bit is set to 1 by performing a dummy read of the CBnRX register, and reception is started.
- (5) When reception is started, output the serial clock to the  $\overline{\text{SCKBn}}$  pin, and capture the receive data of the SIBn pin in synchronization with the serial clock.
- (6) When reception of the transfer data length set with the CBnCTL2 register is completed, stop the serial clock output and data capturing, generate the reception completion interrupt request signal (INTCBnR) at the last edge of the serial clock, and clear the CBnTSF bit to 0.
- (7) To continue reception, read the CBnRX register with the CBnCTL0.CBnSCE bit = 1 remained after the INTCBnR signal is generated.
- (8) To read the CBnRX register without starting the next reception, write the CBnSCE bit = 0.
- (9) Read the CBnRX register.
- (10) To end reception, write the CBnCTL0.CBnPWR bit = 0 and the CBnCTL0.CBnRXE bit = 0.

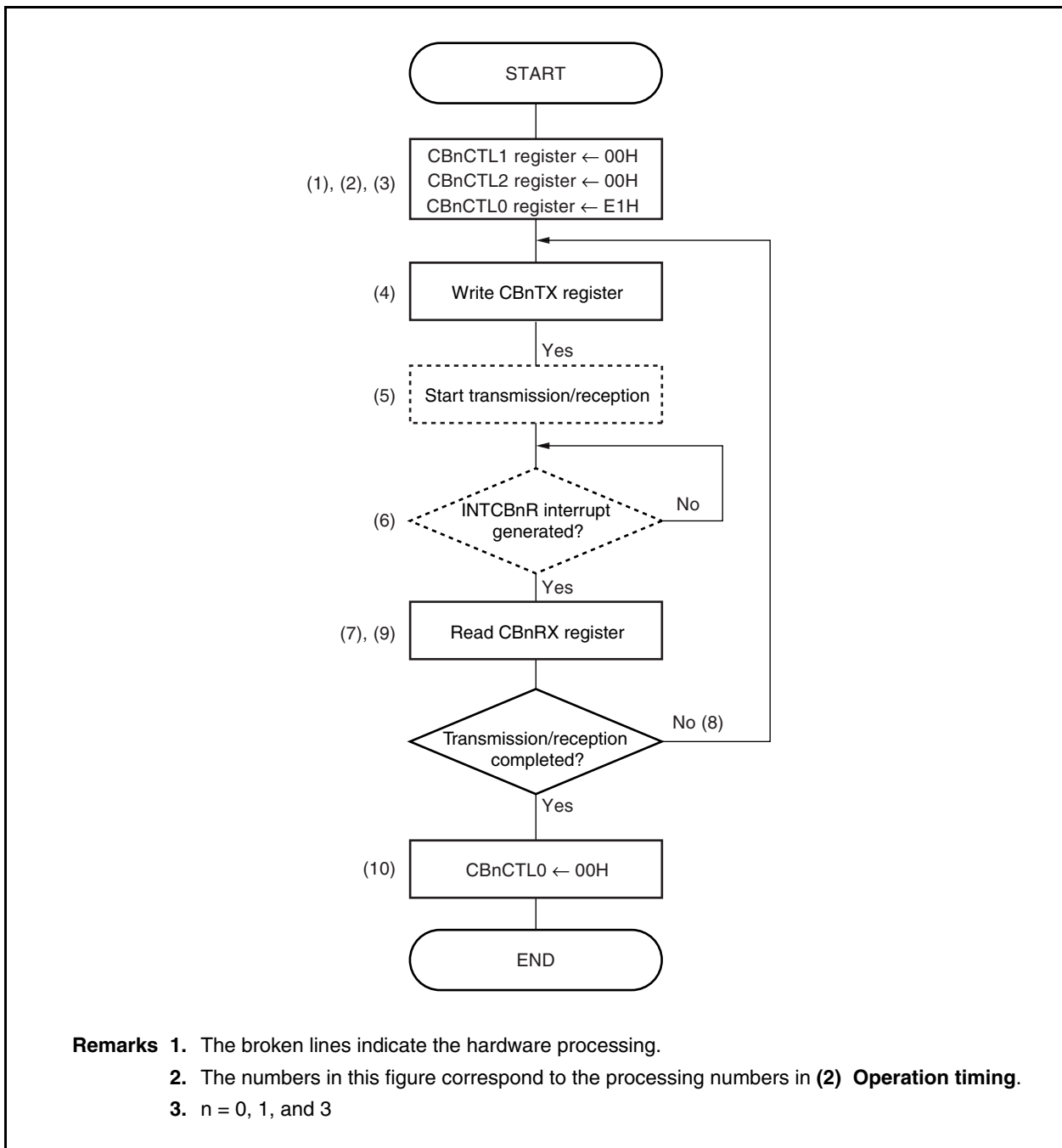
**Remark**  $n = 0, 1, \text{ and } 3$



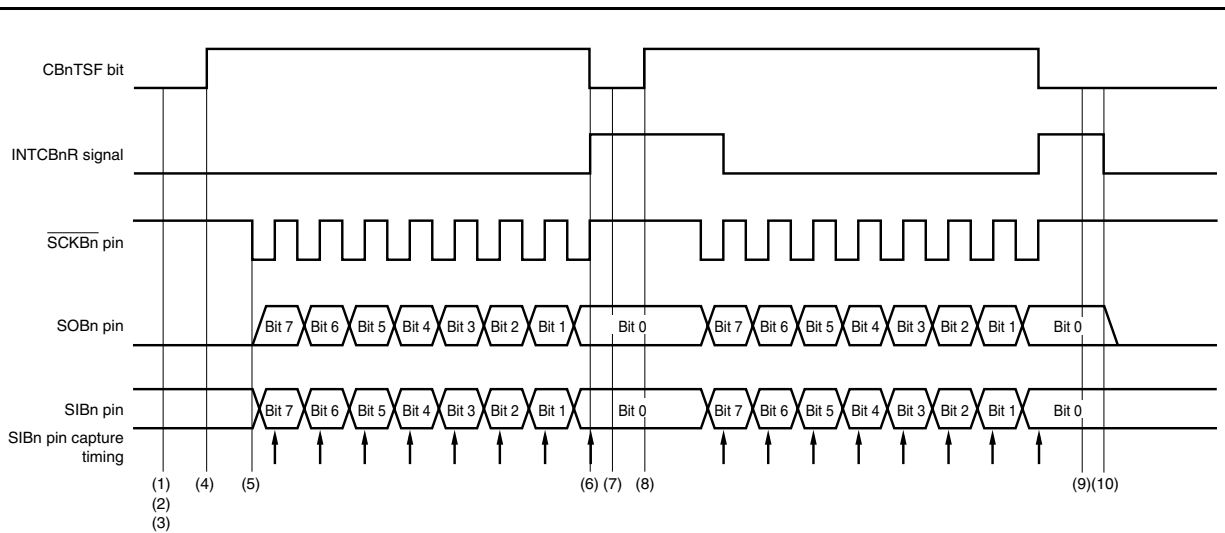
&lt;R&gt;

**14.6.3 Single transfer mode (master mode, transmission/reception mode)**

MSB first (CBnCTL0.CBnDIR bit = 0), communication type 1 (CBnCTL1.CBnCKP and CBnCTL1.CBnDAP bits = 00), communication clock ( $f_{CLK}$ ) =  $f_{XX}/2$  (CBnCTL1.CBnCKS2 to CBnCTL1.CBnCKS0 bits = 000), transfer data length = 8 bits (CBnCTL2.CBnCL3 to CBnCTL2.CBnCL0 bits = 0000)

**(1) Operation flow**

## (2) Operation timing



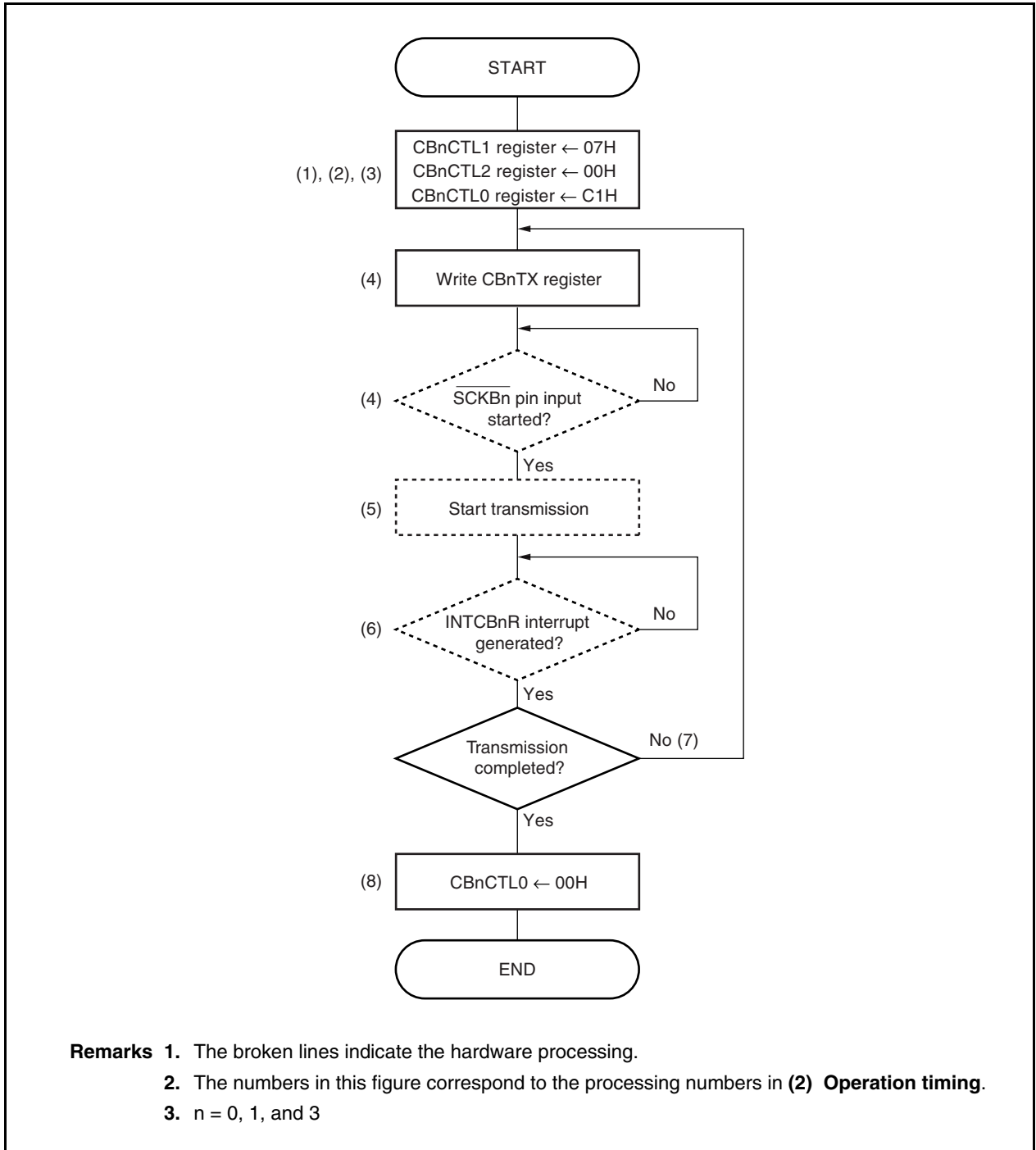
- (1) Write 00H to the CBnCTL1 register, and select communication type 1, communication clock ( $f_{\text{CLK}}$ ) =  $f_{\text{xx}}/2$ , and master mode.
- (2) Write 00H to the CBnCTL2 register, and set the transfer data length to 8 bits.
- (3) Write E1H to the CBnCTL0 register, and select the transmission/reception mode and MSB first at the same time as enabling the operation of the communication clock ( $f_{\text{CLK}}$ ).
- (4) The CBnSTR.CBnTSF bit is set to 1 by writing the transmit data to the CBnTX register, and transmission/reception is started.
- (5) When transmission/reception is started, output the serial clock to the  $\overline{\text{SCKBn}}$  pin, output the transmit data to the SOBn pin in synchronization with the serial clock, and capture the receive data of the SIBn pin.
- (6) When transmission/reception of the transfer data length set with the CBnCTL2 register is completed, stop the serial clock output, transmit data output, and data capturing, generate the reception completion interrupt request signal (INTCBnR) at the last edge of the serial clock, and clear the CBnTSF bit to 0.
- (7) Read the CBnRX register.
- (8) To continue transmission/reception, write the transmit data to the CBnTX register again.
- (9) Read the CBnRX register.
- (10) To end transmission/reception, write the CBnCTL0.CBnPWR bit = 0, the CBnCTL0.CBnTXE bit = 0, and the CBnCTL0.CBnRXE bit = 0.

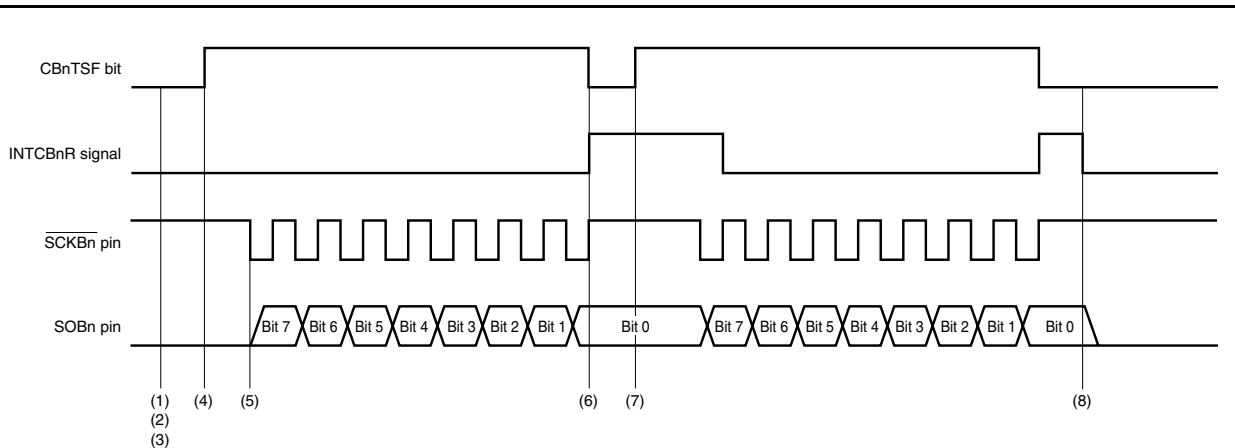
**Remark**  $n = 0, 1, \text{ and } 3$

&lt;R&gt;

**14.6.4 Single transfer mode (slave mode, transmission mode)**

MSB first (CBnCTL0.CBnDIR bit = 0), communication type 1 (CBnCTL1.CBnCKP and CBnCTL1.CBnDAP bits = 00), communication clock ( $f_{CLK}$ ) = external clock ( $\overline{SCKBn}$ ) (CBnCTL1.CBnCKS2 to CBnCTL1.CBnCKS0 bits = 111), transfer data length = 8 bits (CBnCTL2.CBnCL3 to CBnCTL2.CBnCL0 bits = 0000)

**(1) Operation flow**

**(2) Operation timing**

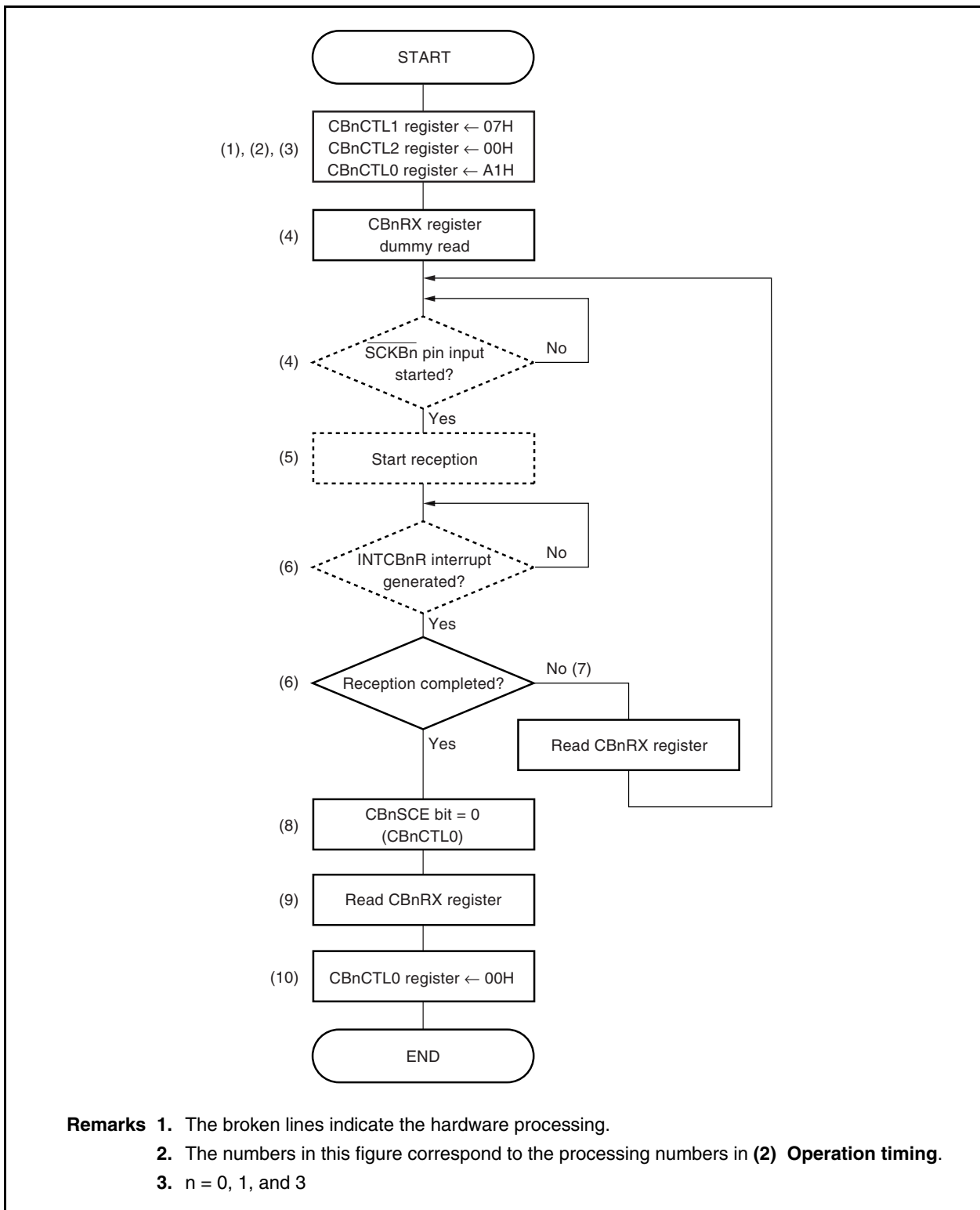
- (1) Write 07H to the CBnCTL1 register, and select communication type 1, communication clock ( $f_{\text{CLK}}$ ) = external clock (SCKBn), and slave mode.
- (2) Write 00H to the CBnCTL2 register, and set the transfer data length to 8 bits.
- (3) Write C1H to the CBnCTL0 register, and select the transmission mode and MSB first at the same time as enabling the operation of the communication clock ( $f_{\text{CLK}}$ ).
- (4) The CBnSTR.CBnTSF bit is set to 1 by writing the transmit data to the CBnTX register, and the device waits for a serial clock input.
- (5) When a serial clock is input, output the transmit data from the SOBn pin in synchronization with the serial clock.
- (6) When transmission of the transfer data length set with the CBnCTL2 register is completed, stop the serial clock input and transmit data output, generate the reception completion interrupt request signal (INTCBnR) at the last edge of the serial clock, and clear the CBnTSF bit to 0.
- (7) To continue transmission, write the transmit data to the CBnTX register again after the INTCBnR signal is generated, and wait for a serial clock input.
- (8) To end transmission, write the CBnCTL0.CBnPWR bit = 0 and the CBnCTL0.CBnTXE bit = 0.

**Remark** n = 0, 1, and 3

&lt;R&gt;

**14.6.5 Single transfer mode (slave mode, reception mode)**

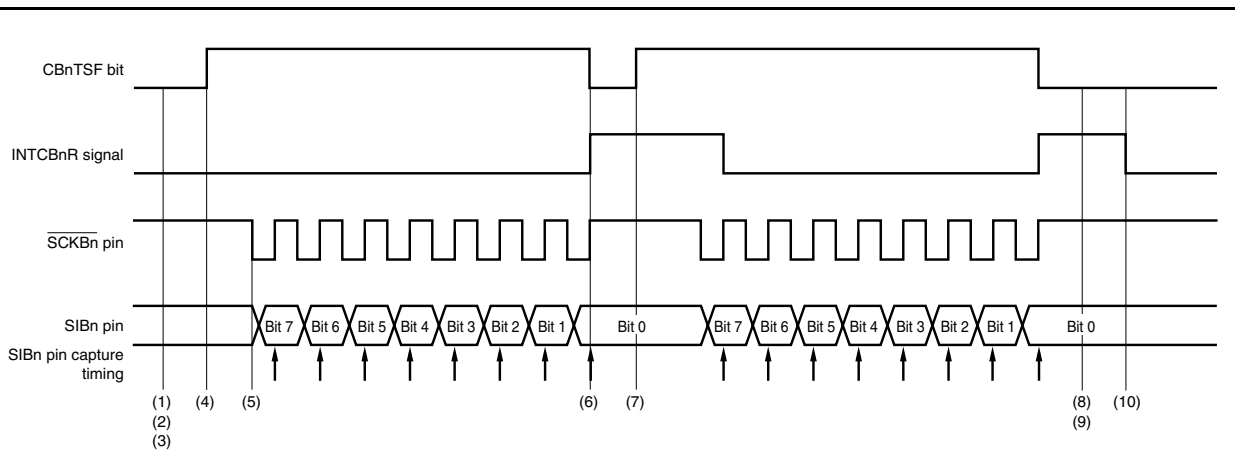
MSB first (CBnCTL0.CBnDIR bit = 0), communication type 1 (CBnCTL1.CBnCKP and CBnCTL1.CBnDAP bits = 00), communication clock ( $f_{CLK}$ ) = external clock ( $\overline{SCKBn}$ ) (CBnCTL1.CBnCKS2 to CBnCTL1.CBnCKS0 bits = 111), transfer data length = 8 bits (CBnCTL2.CBnCL3 to CBnCTL2.CBnCL0 bits = 0000)

**(1) Operation flow**

**Remarks 1.** The broken lines indicate the hardware processing.

**2.** The numbers in this figure correspond to the processing numbers in **(2) Operation timing**.

**3.** n = 0, 1, and 3

**(2) Operation timing**

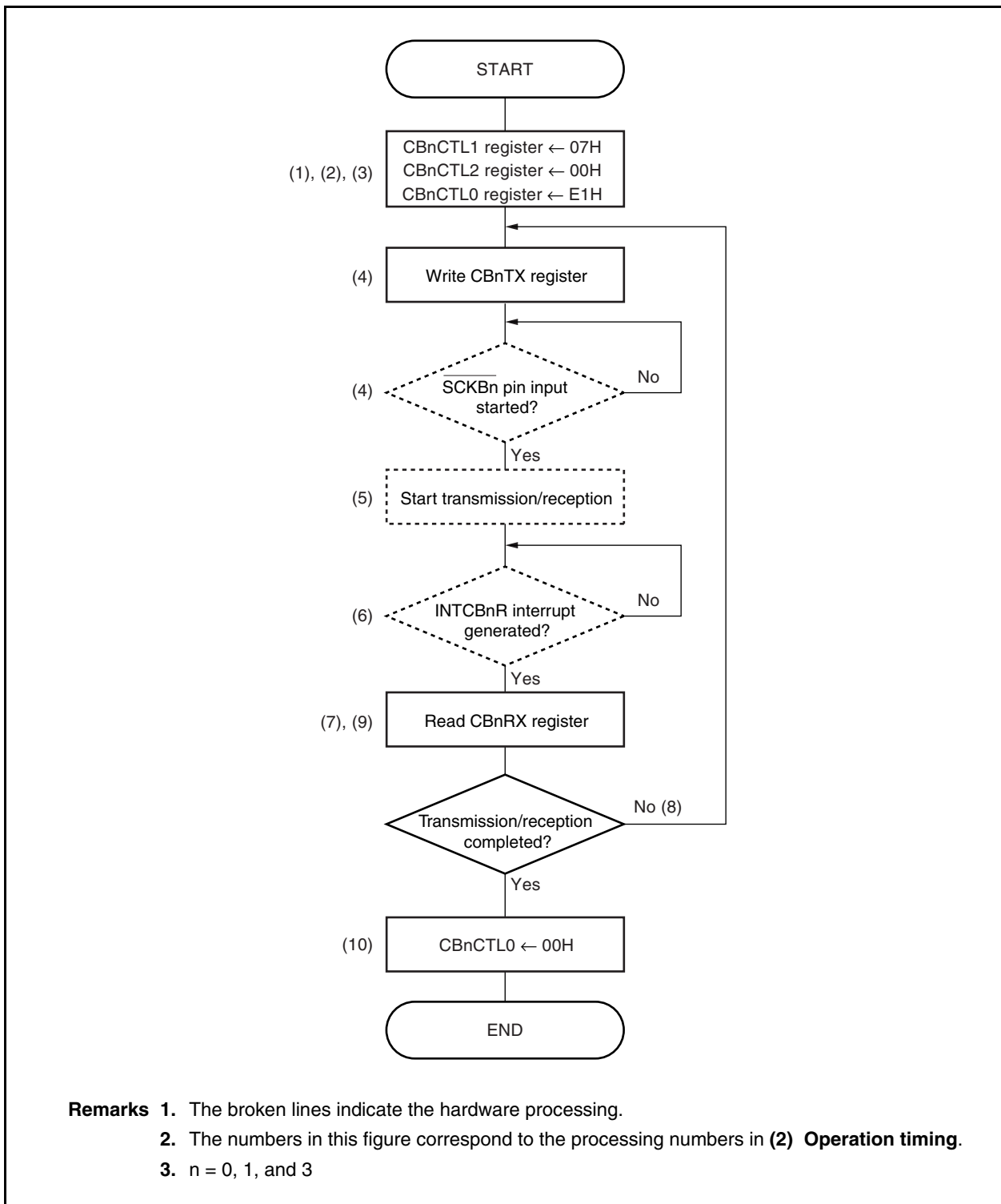
- (1) Write 07H to the `CBnCTL1` register, and select communication type 1, communication clock ( $f_{\text{CLK}}$ ) = external clock (`SCKBn`), and slave mode.
- (2) Write 00H to the `CBnCTL2` register, and set the transfer data length to 8 bits.
- (3) Write A1H to the `CBnCTL0` register, and select the reception mode and MSB first at the same time as enabling the operation of the communication clock ( $f_{\text{CLK}}$ ).
- (4) The `CBnSTR.CBnTSF` bit is set to 1 by performing a dummy read of the `CBnRX` register, and the device waits for a serial clock input.
- (5) When a serial clock is input, capture the receive data of the `SIBn` pin in synchronization with the serial clock.
- (6) When reception of the transfer data length set with the `CBnCTL2` register is completed, stop the serial clock input and data capturing, generate the reception completion interrupt request signal (`INTCBnR`) at the last edge of the serial clock, and clear the `CBnTSF` bit to 0.
- (7) To continue reception, read the `CBnRX` register with the `CBnCTL0.CBnSCE` bit = 1 remained after the `INTCBnR` signal is generated, and wait for a serial clock input.
- (8) To end reception, write the `CBnSCE` bit = 0.
- (9) Read the `CBnRX` register.
- (10) To end reception, write the `CBnCTL0.CBnPWR` bit = 0 and the `CBnCTL0.CBnRXE` bit = 0.

**Remark** n = 0, 1, and 3

&lt;R&gt;

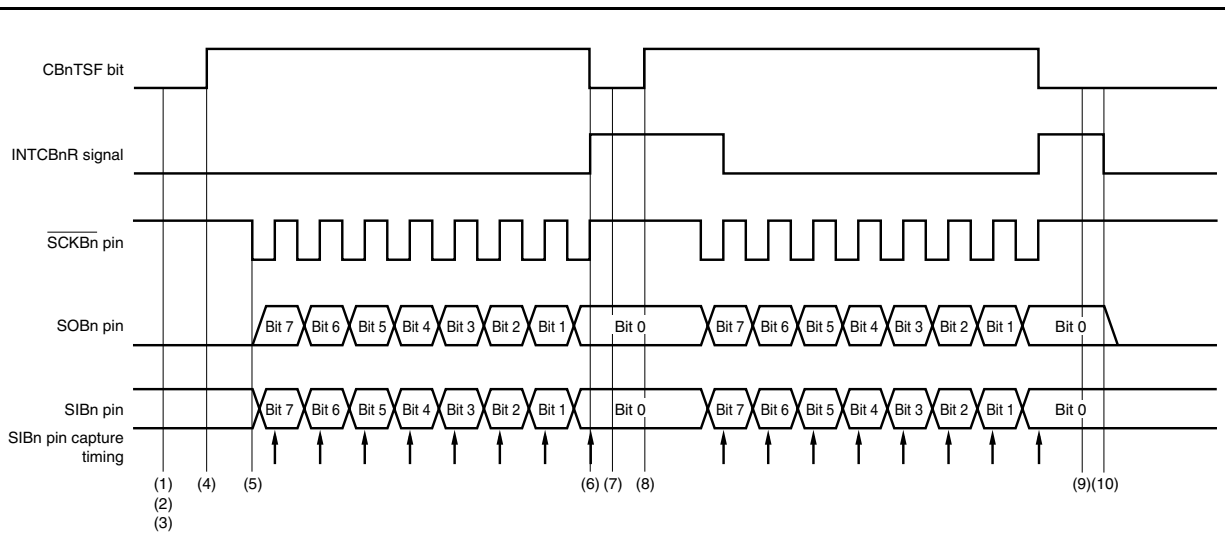
**14.6.6 Single transfer mode (slave mode, transmission/reception mode)**

MSB first (CBnCTL0.CBnDIR bit = 0), communication type 1 (CBnCTL1.CBnCKP and CBnCTL1.CBnDAP bits = 00), communication clock ( $f_{CLK}$ ) = external clock ( $\overline{SCKBn}$ ) (CBnCTL1.CBnCKS2 to CBnCTL1.CBnCKS0 bits = 111), transfer data length = 8 bits (CBnCTL2.CBnCL3 to CBnCTL2.CBnCL0 bits = 0000)

**(1) Operation flow**

- Remarks**
1. The broken lines indicate the hardware processing.
  2. The numbers in this figure correspond to the processing numbers in **(2) Operation timing**.
  3.  $n = 0, 1, \text{ and } 3$

## (2) Operation timing



- (1) Write 07H to the CBnCTL1 register, and select communication type 1, communication clock ( $f_{\text{CCLK}}$ ) = external clock ( $\text{SCKBn}$ ), and slave mode.
- (2) Write 00H to the CBnCTL2 register, and set the transfer data length to 8 bits.
- (3) Write E1H to the CBnCTL0 register, and select the transmission/reception mode and MSB first at the same time as enabling the operation of the communication clock ( $f_{\text{CCLK}}$ ).
- (4) The CBnSTR.CBnTSF bit is set to 1 by writing the transmit data to the CBnTX register, and the device waits for a serial clock input.
- (5) When a serial clock is input, output the transmit data to the SOBn pin in synchronization with the serial clock, and capture the receive data of the SIBn pin.
- (6) When transmission/reception of the transfer data length set with the CBnCTL2 register is completed, stop the serial clock input, transmit data output, and data capturing, generate the reception completion interrupt request signal (INTCBnR) at the last edge of the serial clock, and clear the CBnTSF bit to 0.
- (7) Read the CBnRX register.
- (8) To continue transmission/reception, write the transmit data to the CBnTX register again, and wait for a serial clock input.
- (9) Read the CBnRX register.
- (10) To end transmission/reception, write the CBnCTL0.CBnPWR bit = 0, the CBnCTL0.CBnTXE bit = 0, and the CBnCTL0.CBnRXE bit = 0.

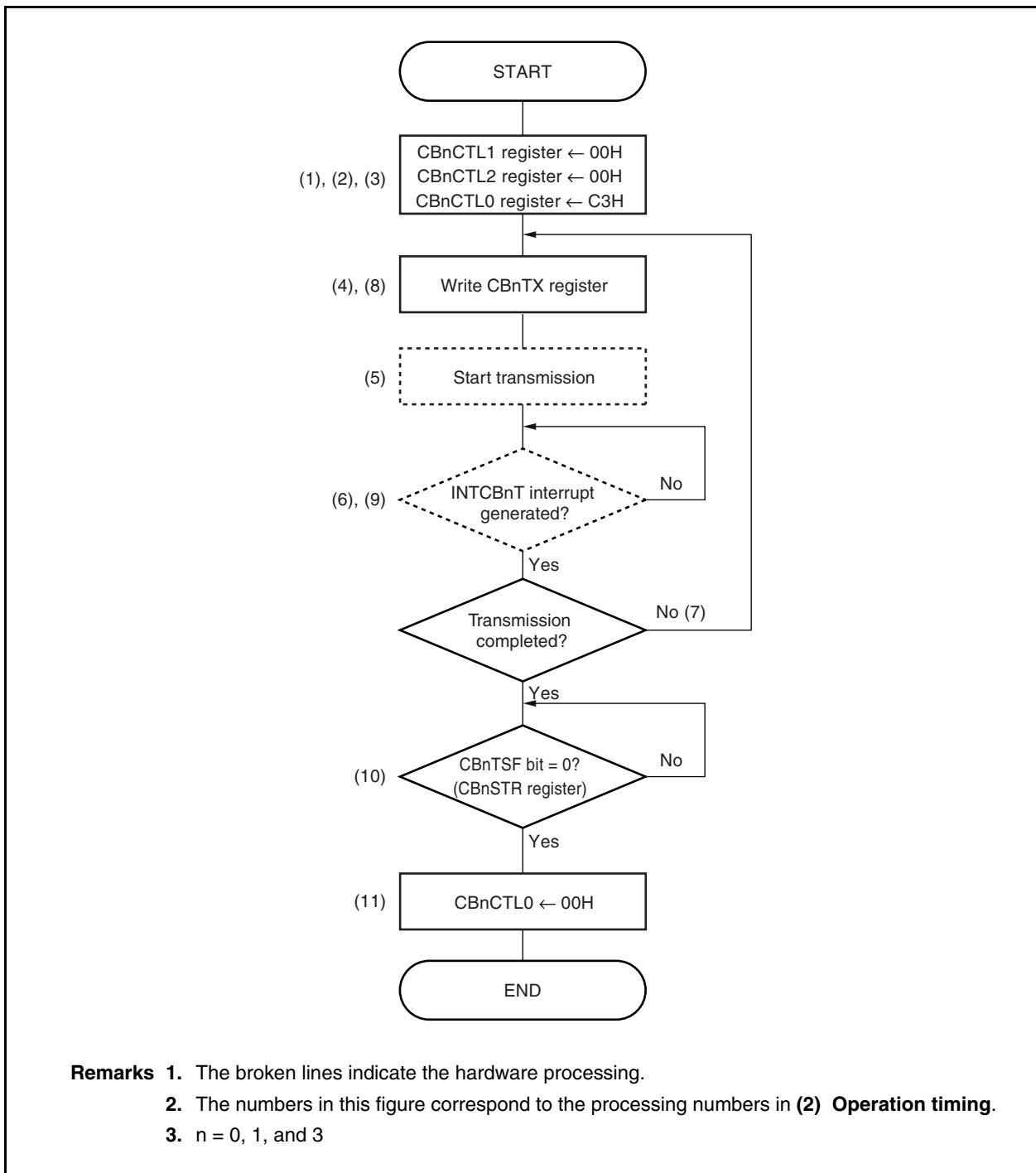
**Remark**  $n = 0, 1, \text{ and } 3$



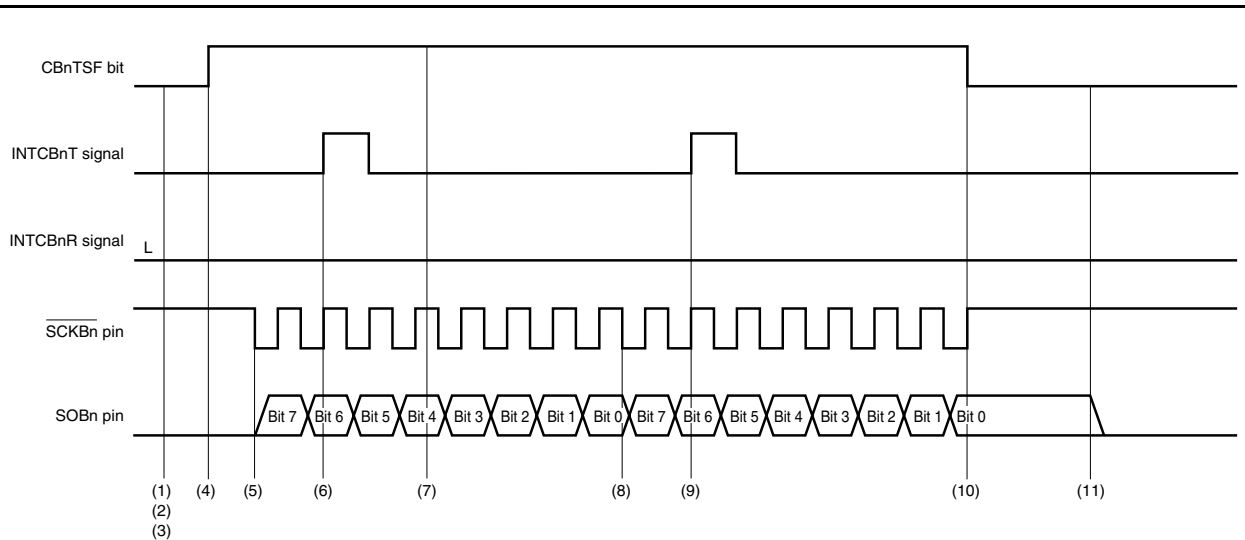
&lt;R&gt;

**14.6.7 Continuous transfer mode (master mode, transmission mode)**

MSB first (CBnCTL0.CBnDIR bit = 0), communication type 1 (CBnCTL1.CBnCKP and CBnCTL1.CBnDAP bits = 00), communication clock ( $f_{\text{CLK}}$ ) =  $f_{\text{XX}}/2$  (CBnCTL1.CBnCKS2 to CBnCTL1.CBnCKS0 bits = 000), transfer data length = 8 bits (CBnCTL2.CBnCL3 to CBnCTL2.CBnCL0 bits = 0000)

**(1) Operation flow**

## (2) Operation timing



- (1) Write 00H to the CBnCTL1 register, and select communication type 1, communication clock ( $f_{\text{CLK}} = f_{\text{xx}}/2$ , and master mode.
- (2) Write 00H to the CBnCTL2 register, and set the transfer data length to 8 bits.
- (3) Write C3H to the CBnCTL0 register, and select the transmission mode, MSB first, and continuous transfer mode at the same time as enabling the operation of the communication clock ( $f_{\text{CLK}}$ ).
- (4) The CBnSTR.CBnTSF bit is set to 1 by writing the transmit data to the CBnTX register, and transmission is started.
- (5) When transmission is started, output the serial clock to the  $\overline{\text{SCKBn}}$  pin, and output the transmit data from the SOBn pin in synchronization with the serial clock.
- (6) When transfer of the transmit data from the CBnTX register to the shift register is completed and writing to the CBnTX register is enabled, the transmission enable interrupt request signal (INTCBnT) is generated.
- (7) To continue transmission, write the transmit data to the CBnTX register again after the INTCBnT signal is generated.
- (8) When a new transmit data is written to the CBnTX register before communication completion, the next communication is started following communication completion.
- (9) The transfer of the transmit data from the CBnTX register to the shift register is completed and the INTCBnT signal is generated. To end continuous transmission with the current transmission, do not write to the CBnTX register.
- (10) When the next transmit data is not written to the CBnTX register before transfer completion, stop the serial clock output to the  $\overline{\text{SCKBn}}$  pin after transfer completion, and clear the CBnTSF bit to 0.
- (11) To release the transmission enable status, write the CBnCTL0.CBnPWR bit = 0 and the CBnCTL0.CBnTXE bit = 0 after checking that the CBnTSF bit = 0.

**Caution** In continuous transmission mode, the reception completion interrupt request signal (INTCBnR) is not generated.

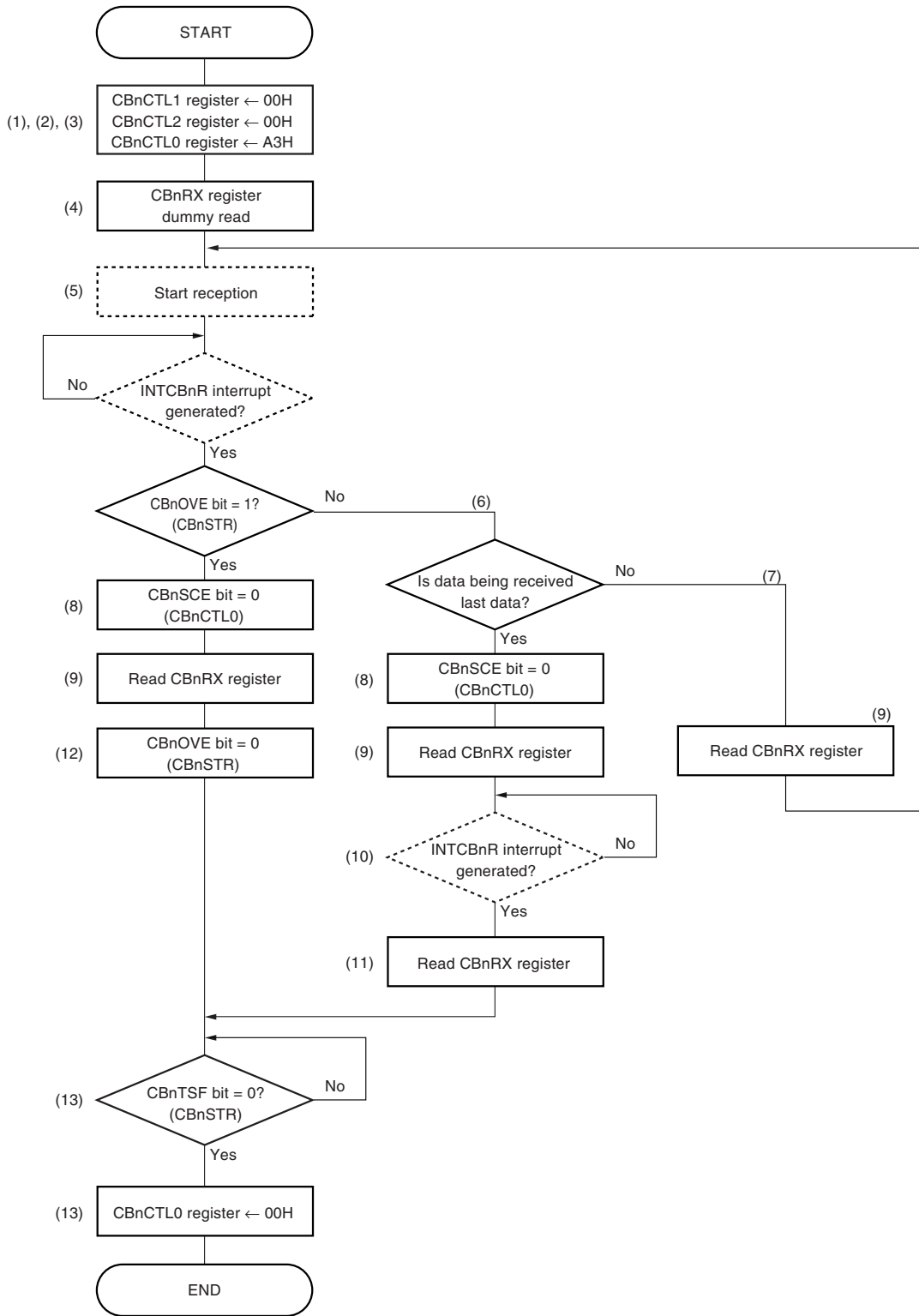
**Remark**  $n = 0, 1, \text{ and } 3$

&lt;R&gt;

**14.6.8 Continuous transfer mode (master mode, reception mode)**

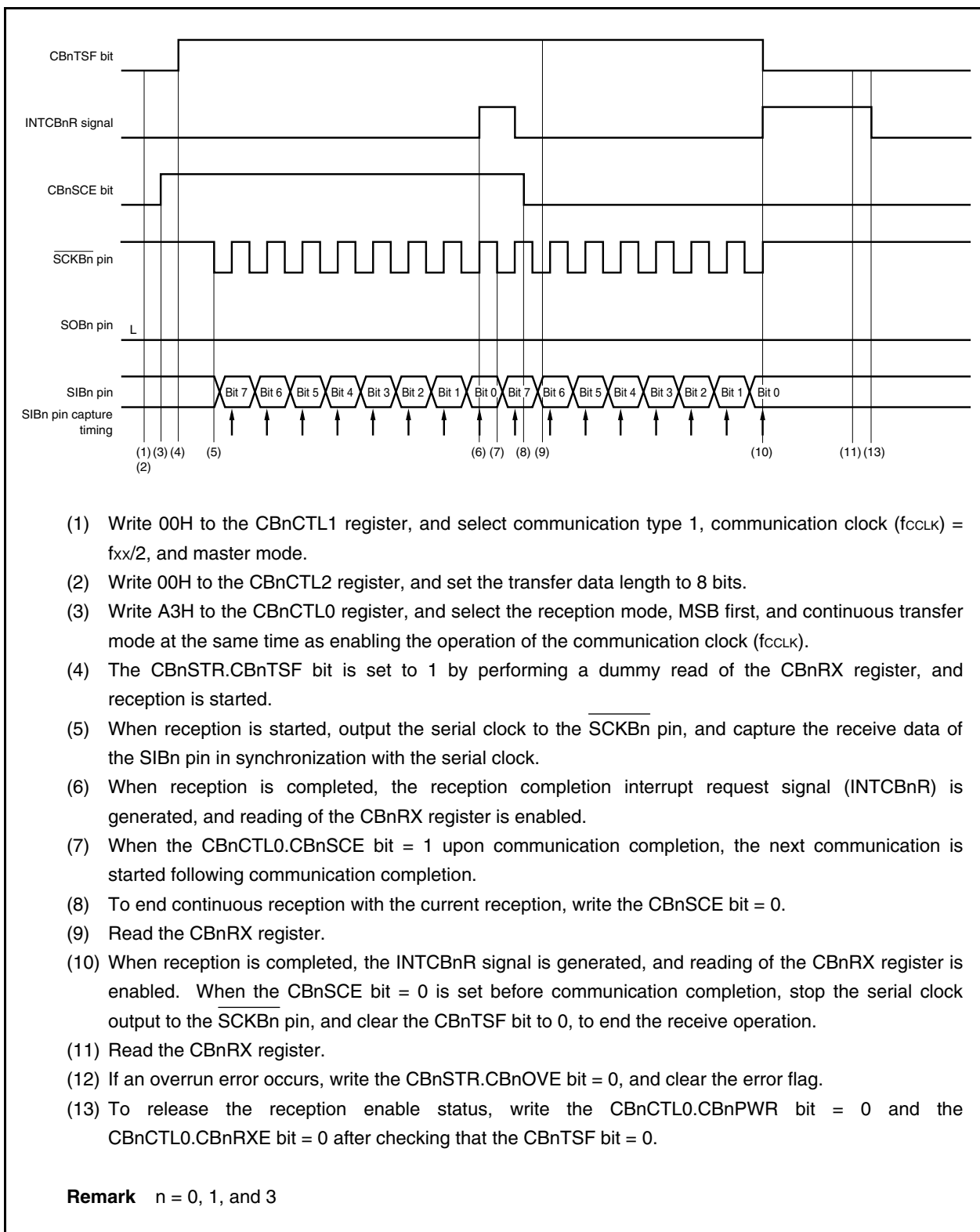
MSB first (CBnCTL0.CBnDIR bit = 0), communication type 1 (CBnCTL1.CBnCKP and CBnCTL1.CBnDAP bits = 00), communication clock ( $f_{\text{CLK}}$ ) =  $f_{\text{XX}}/2$  (CBnCTL1.CBnCKS2 to CBnCTL1.CBnCKS0 bits = 000), transfer data length = 8 bits (CBnCTL2.CBnCL3 to CBnCTL2.CBnCL0 bits = 0000)

(1) Operation flow



- Remarks**
1. The broken lines indicate the hardware processing.
  2. The numbers in this figure correspond to the processing numbers in (2) Operation timing.
  3. n = 0, 1, and 3

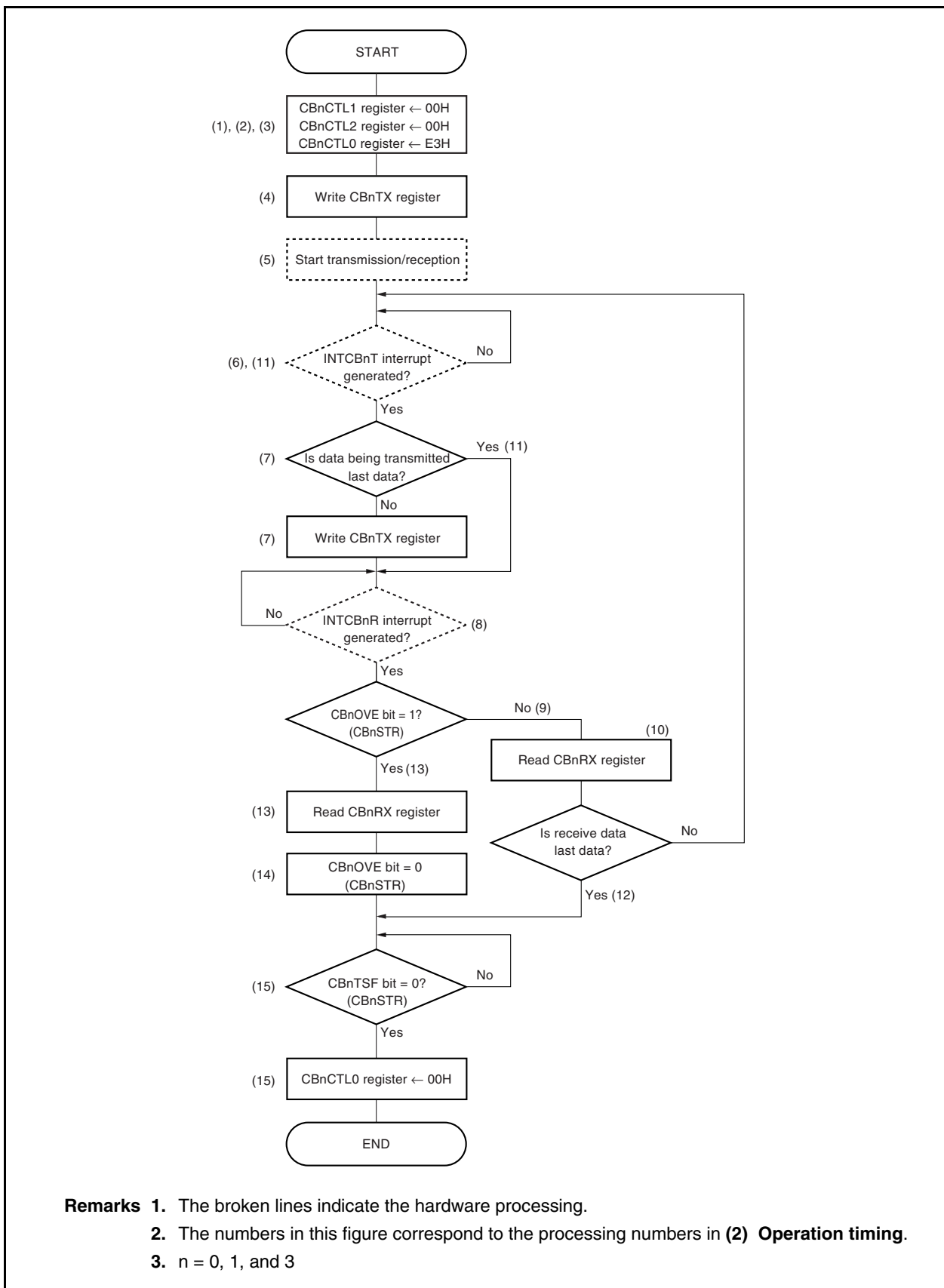
## (2) Operation timing



**<R> 14.6.9 Continuous transfer mode (master mode, transmission/reception mode)**

MSB first (CBnCTL0.CBnDIR bit = 0), communication type 1 (CBnCTL1.CBnCKP and CBnCTL1.CBnDAP bits = 00), communication clock ( $f_{\text{CLK}}$ ) =  $f_{\text{XX}}/2$  (CBnCTL1.CBnCKS2 to CBnCTL1.CBnCKS0 bits = 000), transfer data length = 8 bits (CBnCTL2.CBnCL3 to CBnCTL2.CBnCL0 bits = 0000)

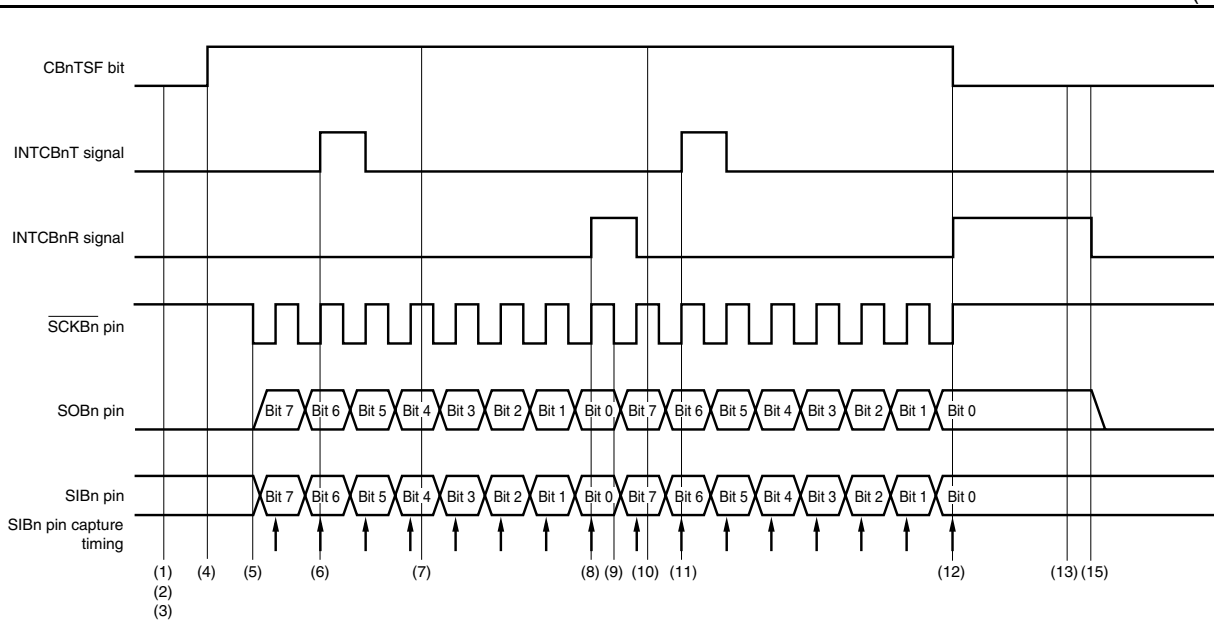
(1) Operation flow



- Remarks**
1. The broken lines indicate the hardware processing.
  2. The numbers in this figure correspond to the processing numbers in (2) Operation timing.
  3. n = 0, 1, and 3

## (2) Operation timing

(1/2)



- (1) Write 00H to the CBnCTL1 register, and select communication type 1, communication clock ( $f_{\text{CCLK}} = f_{\text{xx}}/2$ ), and master mode.
- (2) Write 00H to the CBnCTL2 register, and set the transfer data length to 8 bits.
- (3) Write E3H to the CBnCTL0 register, and select the transmission/reception mode, MSB first, and continuous transfer mode at the same time as enabling the operation of the communication clock ( $f_{\text{CCLK}}$ ).
- (4) The CBnSTR.CBnTSF bit is set to 1 by writing the transmit data to the CBnTX register, and transmission/reception is started.
- (5) When transmission/reception is started, output the serial clock to the SCKBn pin, output the transmit data to the SOBn pin in synchronization with the serial clock, and capture the receive data of the SIBn pin.
- (6) When transfer of the transmit data from the CBnTX register to the shift register is completed and writing to the CBnTX register is enabled, the transmission enable interrupt request signal (INTCBnT) is generated.
- (7) To continue transmission/reception, write the transmit data to the CBnTX register again after the INTCBnT signal is generated.
- (8) When one transmission/reception is completed, the reception completion interrupt request signal (INTCBnR) is generated, and reading of the CBnRX register is enabled.
- (9) When a new transmit data is written to the CBnTX register before communication completion, the next communication is started following communication completion.
- (10) Read the CBnRX register.

**Remark**  $n = 0, 1, \text{ and } 3$



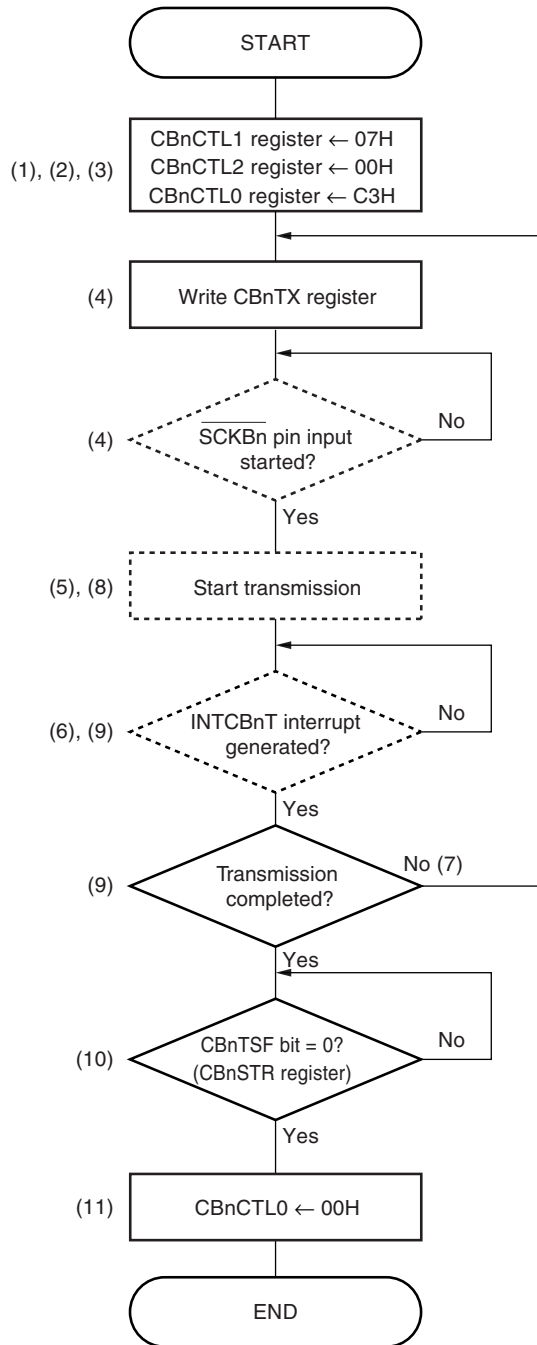
- (11) The transfer of the transmit data from the CBnTX register to the shift register is completed and the INTCBnT signal is generated. To end continuous transmission/reception with the current transmission/reception, do not write to the CBnTX register.
- (12) When the next transmit data is not written to the CBnTX register before transfer completion, stop the serial clock output to the  $\overline{\text{SCKBn}}$  pin after transfer completion, and clear the CBnTSF bit to 0.
- (13) When the reception error interrupt request signal (INTCBnR) is generated, read the CBnRX register.
- (14) If an overrun error occurs, write the CBnSTR.CBnOVE bit = 0, and clear the error flag.
- (15) To release the transmission/reception enable status, write the CBnCTL0.CBnPWR bit = 0, the CBnCTL0.CBnTXE bit = 0, and the CBnCTL0.CBnRXE bit = 0 after checking that the CBnTSF bit = 0.

**Remark** n = 0, 1, and 3

<R> 14.6.10 Continuous transfer mode (slave mode, transmission mode)

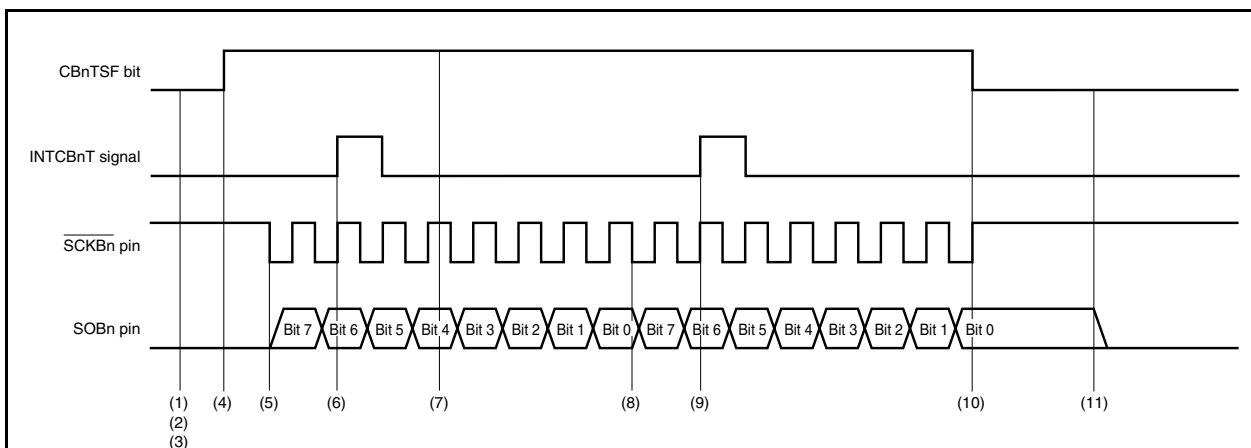
MSB first (CBnCTL0.CBnDIR bit = 0), communication type 1 (CBnCTL1.CBnCKP and CBnCTL1.CBnDAP bits = 00), communication clock (f<sub>CLK</sub>) = external clock (SCKBn) (CBnCTL1.CBnCKS2 to CBnCTL1.CBnCKS0 bits = 111), transfer data length = 8 bits (CBnCTL2.CBnCL3 to CBnCTL2.CBnCL0 bits = 0000)

(1) Operation flow



- Remarks**
1. The broken lines indicate the hardware processing.
  2. The numbers in this figure correspond to the processing numbers in (2) Operation timing.
  3. n = 0, 1, and 3

## (2) Operation timing



- (1) Write 07H to the `CBnCTL1` register, and select communication type 1, communication clock ( $f_{\text{CLK}}$ ) = external clock (SCKBn), and slave mode.
- (2) Write 00H to the `CBnCTL2` register, and set the transfer data length to 8 bits.
- (3) Write C3H to the `CBnCTL0` register, and select the transmission mode, MSB first, and continuous transfer mode at the same time as enabling the operation of the communication clock ( $f_{\text{CLK}}$ ).
- (4) The `CBnSTR.CBnTSF` bit is set to 1 by writing the transmit data to the `CBnTX` register, and the device waits for a serial clock input.
- (5) When a serial clock is input, output the transmit data from the SOBn pin in synchronization with the serial clock.
- (6) When transfer of the transmit data from the `CBnTX` register to the shift register is completed and writing to the `CBnTX` register is enabled, the transmission enable interrupt request signal (INTCBnT) is generated.
- (7) To continue transmission, write the transmit data to the `CBnTX` register again after the INTCBnT signal is generated.
- (8) When a serial clock is input following completion of the transmission of the transfer data length set with the `CBnCTL2` register, continuous transmission is started.
- (9) When transfer of the transmit data from the `CBnTX` register to the shift register is completed and writing to the `CBnTX` register is enabled, the INTCBnT signal is generated. To end continuous transmission with the current transmission, do not write to the `CBnTX` register.
- (10) When the clock of the transfer data length set with the `CBnCTL2` register is input without writing to the `CBnTX` register, clear the `CBnTSF` bit to 0 to end transmission.
- (11) To release the transmission enable status, write the `CBnCTL0.CBnPWR` bit = 0 and the `CBnCTL0.CBnTXE` bit = 0 after checking that the `CBnTSF` bit = 0.

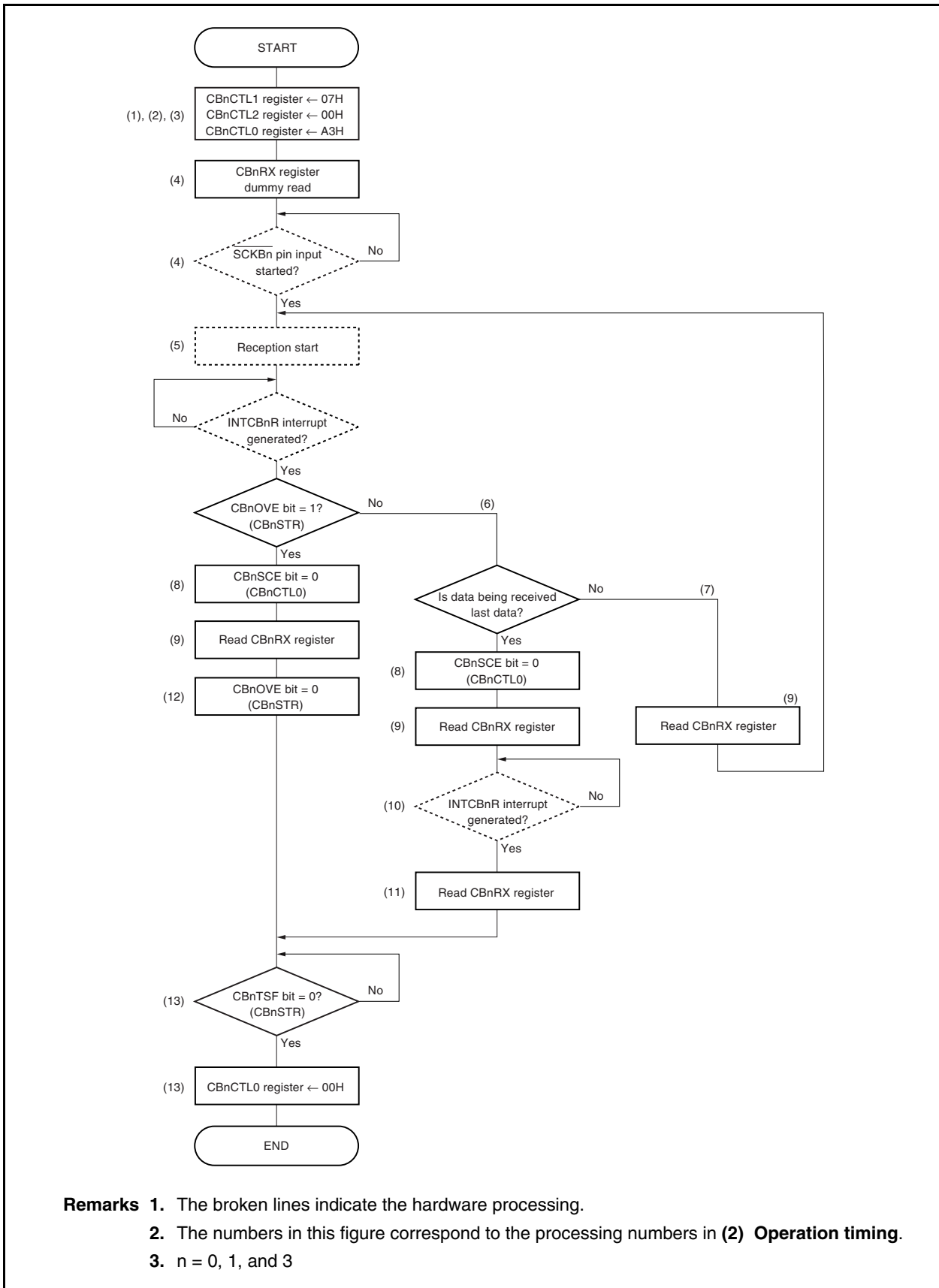
**Caution** In continuous transmission mode, the reception completion interrupt request signal (INTCBnR) is not generated.

**Remark**  $n = 0, 1, \text{ and } 3$

**<R> 14.6.11 Continuous transfer mode (slave mode, reception mode)**

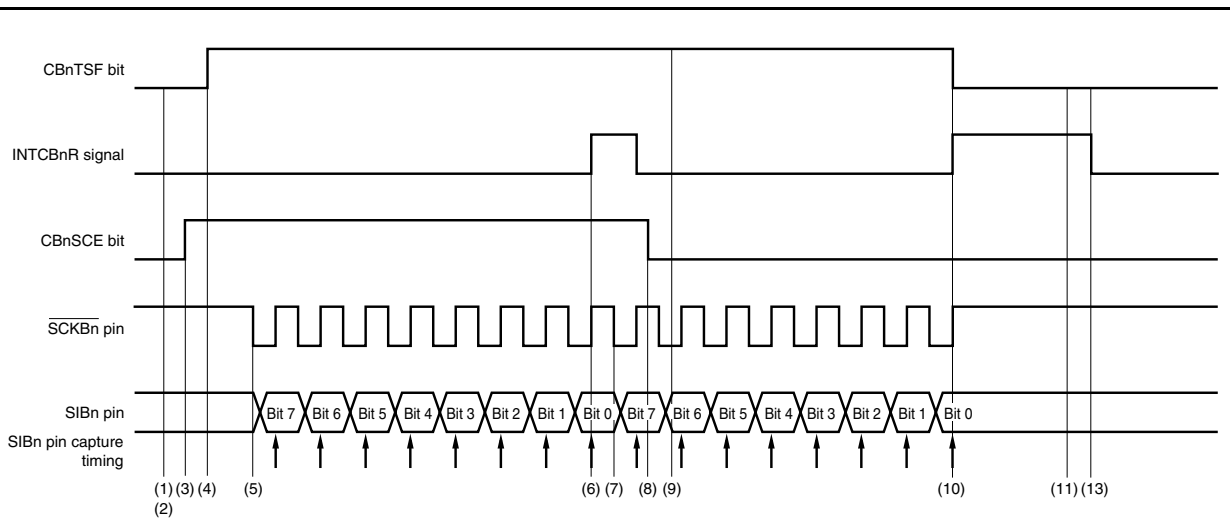
MSB first (CBnCTL0.CBnDIR bit = 0), communication type 1 (CBnCTL1.CBnCKP and CBnCTL1.CBnDAP bits = 00), communication clock (f<sub>CCLK</sub>) = external clock ( $\overline{\text{SCKBn}}$ ) (CBnCTL1.CBnCKS2 to CBnCTL1.CBnCKS0 bits = 111), transfer data length = 8 bits (CBnCTL2.CBnCL3 to CBnCTL2.CBnCL0 bits = 0000)

(1) Operation flow



- Remarks**
1. The broken lines indicate the hardware processing.
  2. The numbers in this figure correspond to the processing numbers in (2) **Operation timing**.
  3. n = 0, 1, and 3

## (2) Operation timing



- (1) Write 07H to the CBnCTL1 register, and select communication type 1, communication clock ( $f_{\text{CLK}}$ ) = external clock (SCKBn), and slave mode.
- (2) Write 00H to the CBnCTL2 register, and set the transfer data length to 8 bits.
- (3) Write A3H to the CBnCTL0 register, and select the reception mode, MSB first, and continuous transfer mode at the same time as enabling the operation of the communication clock ( $f_{\text{CLK}}$ ).
- (4) The CBnSTR.CBnTSF bit is set to 1 by performing a dummy read of the CBnRX register, and the device waits for a serial clock input.
- (5) When a serial clock is input, capture the receive data of the SIBn pin in synchronization with the serial clock.
- (6) When reception is completed, the reception completion interrupt request signal (INTCBnR) is generated, and reading of the CBnRX register is enabled.
- (7) When a serial clock is input in the CBnCTL0.CBnSCE bit = 1 status, continuous reception is started.
- (8) To end continuous reception with the current reception, write the CBnSCE bit = 0.
- (9) Read the CBnRX register.
- (10) When reception is completed, the INTCBnR signal is generated, and reading of the CBnRX register is enabled. When the CBnSCE bit = 0 is set before communication completion, clear the CBnTSF bit to 0 to end the receive operation.
- (11) Read the CBnRX register.
- (12) If an overrun error occurs, write the CBnSTR.CBnOVE bit = 0, and clear the error flag.
- (13) To release the reception enable status, write the CBnCTL0.CBnPWR bit = 0 and the CBnCTL0.CBnRXE bit = 0 after checking that the CBnTSF bit = 0.

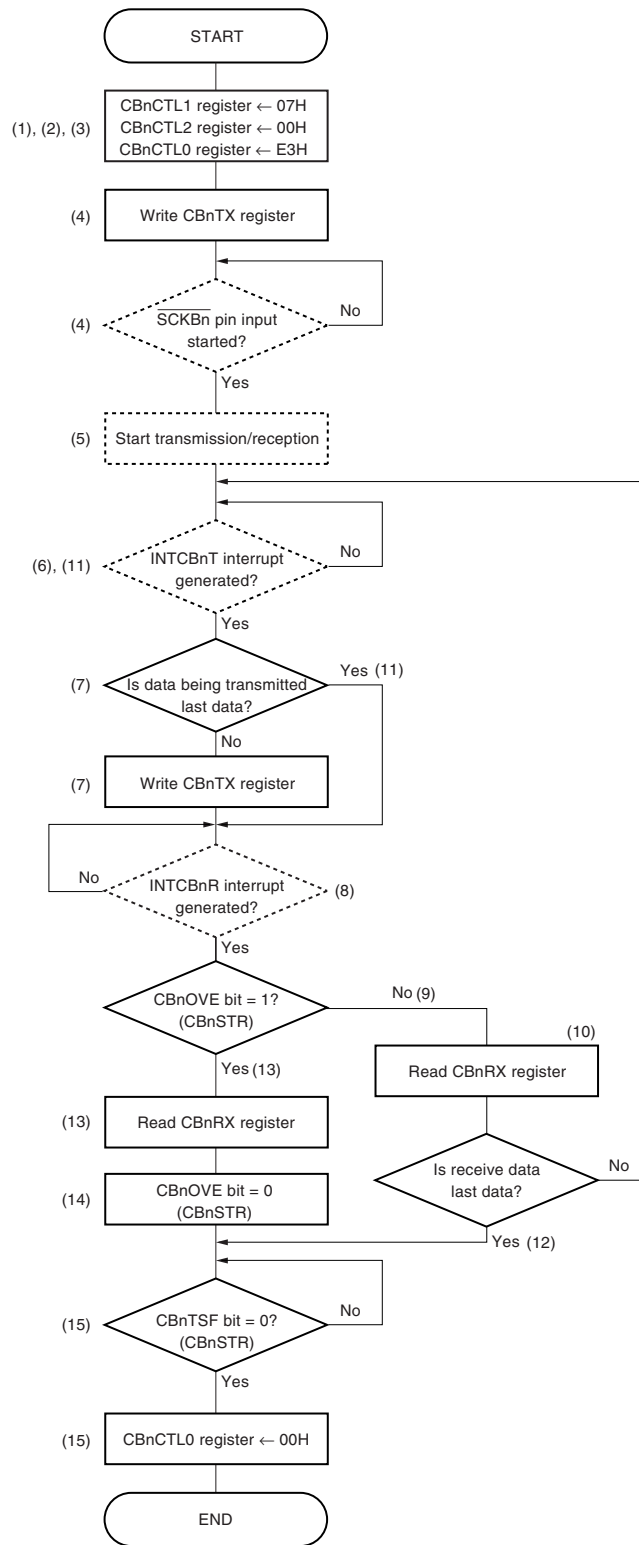
**Remark** n = 0, 1, and 3

&lt;R&gt;

**14.6.12 Continuous transfer mode (slave mode, transmission/reception mode)**

MSB first (CBnCTL0.CBnDIR bit = 0), communication type 1 (CBnCTL1.CBnCKP and CBnCTL1.CBnDAP bits = 00), communication clock ( $f_{\text{CLK}}$ ) = external clock ( $\overline{\text{SCKBn}}$ ) (CBnCTL1.CBnCKS2 to CBnCTL1.CBnCKS0 bits = 111), transfer data length = 8 bits (CBnCTL2.CBnCL3 to CBnCTL2.CBnCL0 bits = 0000)

(1) Operation flow

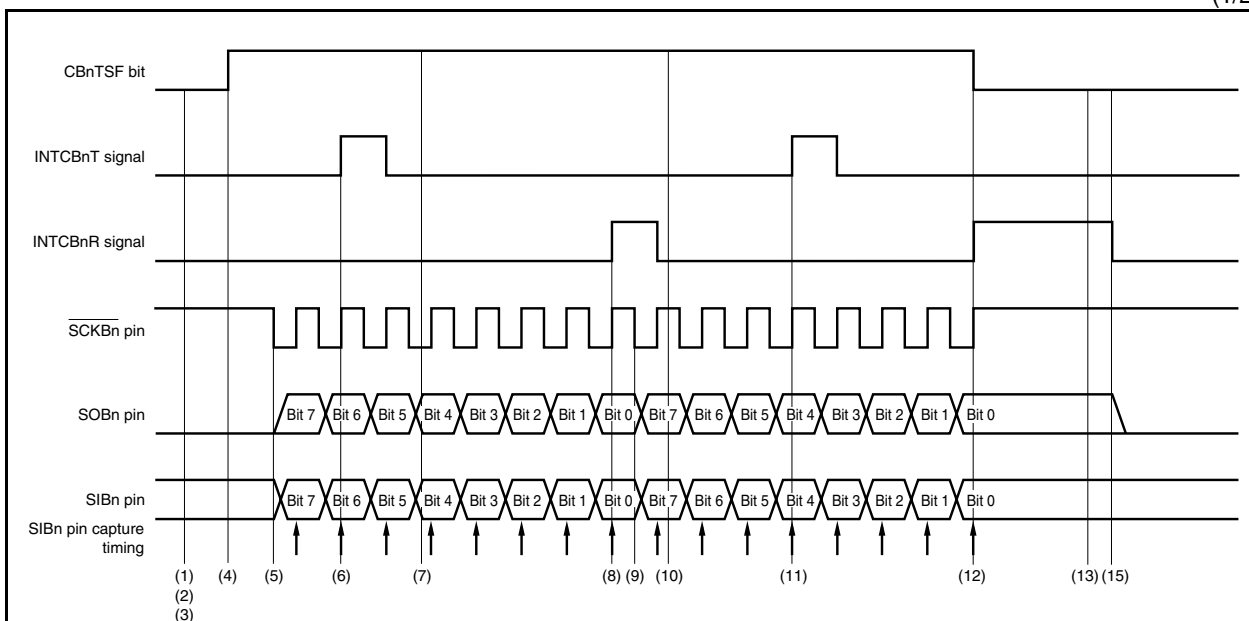


- Remarks**
1. The broken lines indicate the hardware processing.
  2. The numbers in this figure correspond to the processing numbers in (2) **Operation timing**.
  3. n = 0, 1, and 3



## (2) Operation timing

(1/2)



- (1) Write 07H to the CBnCTL1 register, and select communication type 1, communication clock ( $f_{\text{CCLK}}$ ) = external clock (SCKBn), and slave mode.
- (2) Write 00H to the CBnCTL2 register, and set the transfer data length to 8 bits.
- (3) Write E3H to the CBnCTL0 register, and select the transmission/reception mode, MSB first, and continuous transfer mode at the same time as enabling the operation of the communication clock ( $f_{\text{CCLK}}$ ).
- (4) The CBnSTR.CBnTSF bit is set to 1 by writing the transmit data to the CBnTX register, and the device waits for a serial clock input.
- (5) When a serial clock is input, output the transmit data to the SOBn pin in synchronization with the serial clock, and capture the receive data of the SIBn pin.
- (6) When transfer of the transmit data from the CBnTX register to the shift register is completed and writing to the CBnTX register is enabled, the transmission enable interrupt request signal (INTCBnT) is generated.
- (7) To continue transmission, write the transmit data to the CBnTX register again after the INTCBnT signal is generated.
- (8) When reception of the transfer data length set with the CBnCTL2 register is completed, the reception completion interrupt request signal (INTCBnR) is generated, and reading of the CBnRX register is enabled.
- (9) When a serial clock is input continuously, continuous transmission/reception is started.
- (10) Read the CBnRX register.
- (11) When transfer of the transmit data from the CBnTX register to the shift register is completed and writing to the CBnTX register is enabled, the INTCBnT signal is generated. To end continuous transmission/reception with the current transmission/reception, do not write to the CBnTX register.

**Remark**  $n = 0, 1, \text{ and } 3$

- (12) When the clock of the transfer data length set with the CBnCTL2 register is input without writing to the CBnTX register, the INTCBnR signal is generated. Clear the CBnTSF bit to 0 to end transmission/reception.
- (13) When the INTCBnR signal is generated, read the CBnRX register.
- (14) If an overrun error occurs, write the CBnSTR.CBnOVE bit = 0, and clear the error flag.
- (15) To release the transmission/reception enable status, write the CBnCTL0.CBnPWR bit = 0, the CBnCTL0.CBnTXE bit = 0, and the CBnCTL0.CBnRXE bit = 0 after checking that the CBnTSF bit = 0.

**Remark** n = 0, 1, and 3

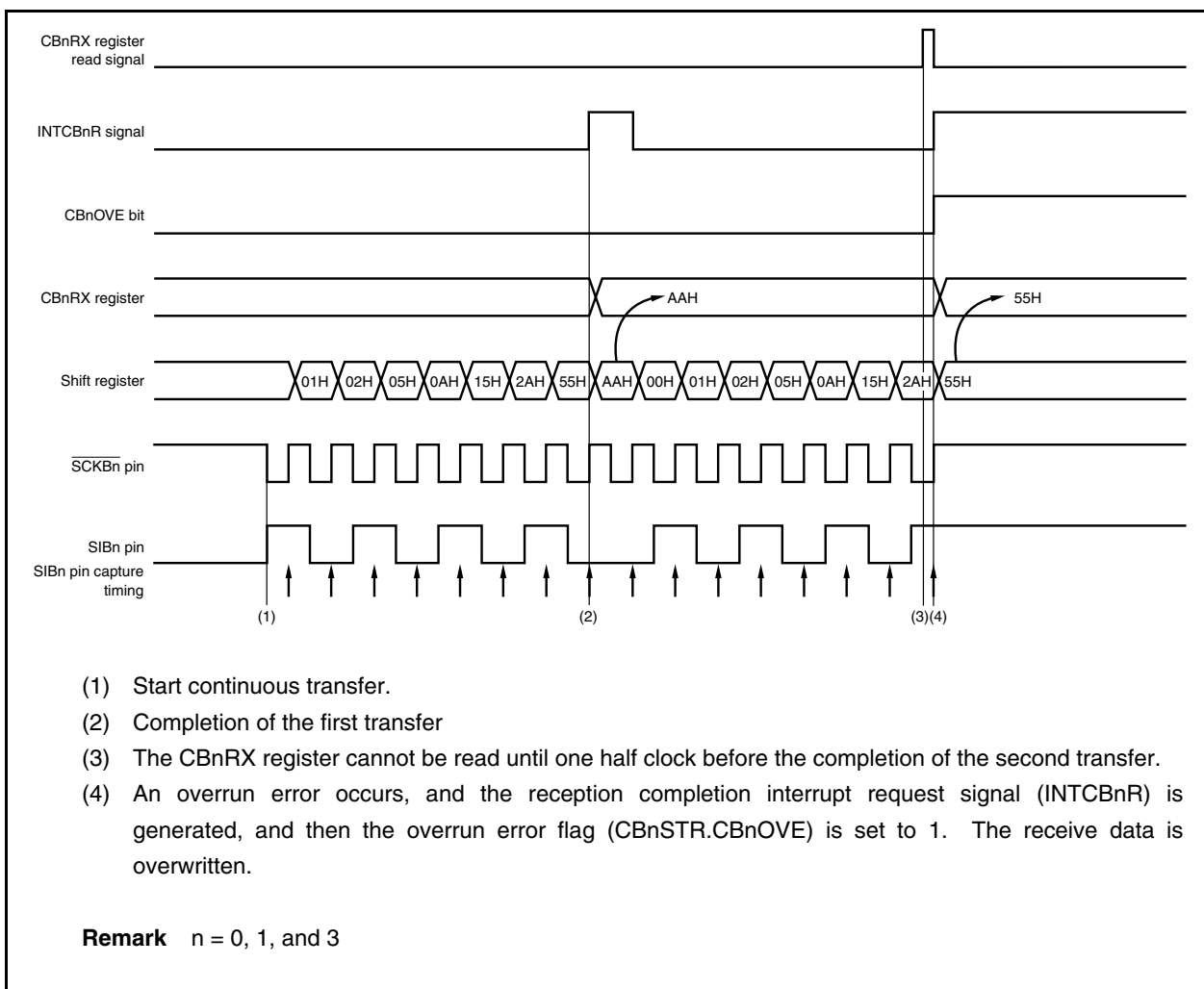
&lt;R&gt;

**14.6.13 Reception error**

When transfer is performed with reception enabled (CBnCTL0.CBnRXE bit = 1) in the continuous transfer mode, the reception completion interrupt request signal (INTCBnR) is generated again when the next receive operation is completed before the CBnRX register is read after the INTCBnR signal is generated, and the overrun error flag (CBnSTR.CBnOVE) is set to 1.

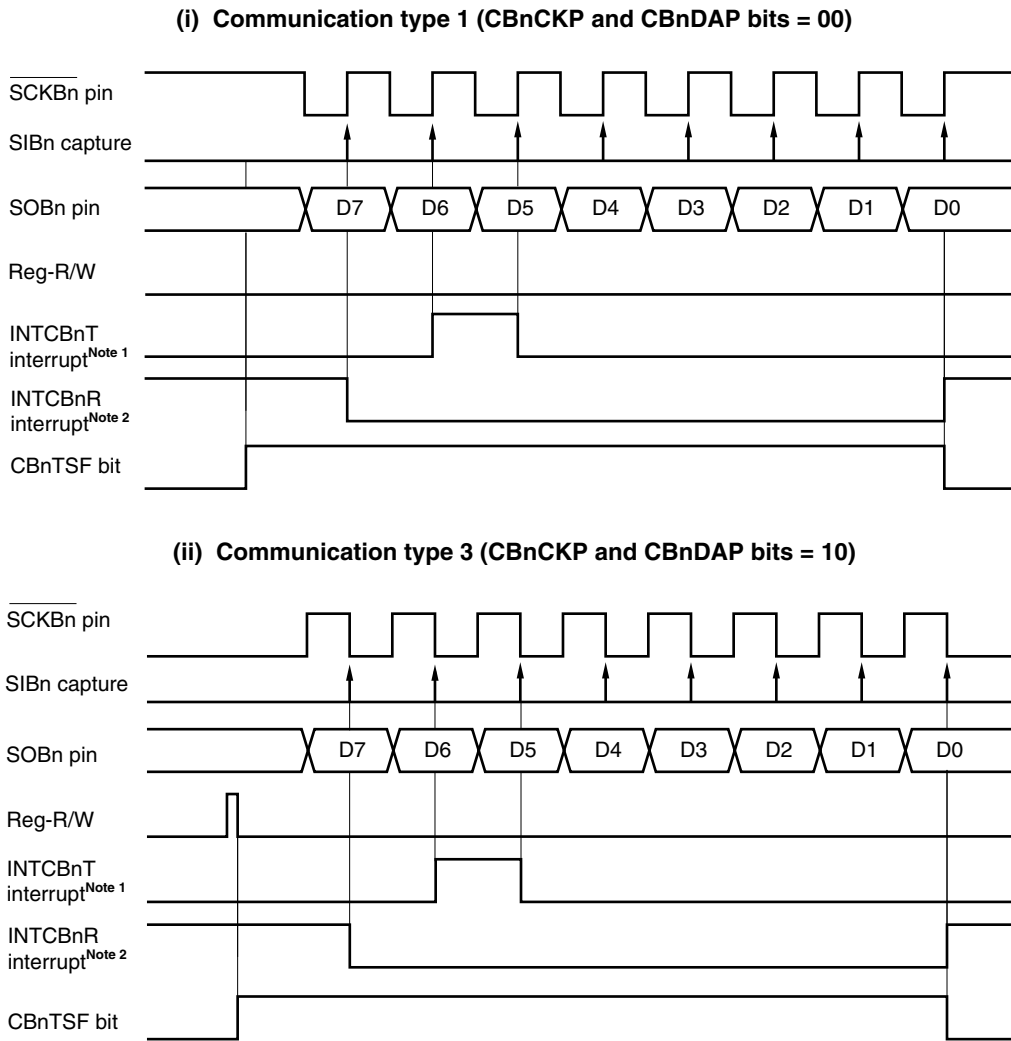
Even if an overrun error has occurred, the previous receive data is lost since the CBnRX register is updated. Even if a reception error has occurred, the INTCBnR signal is generated again upon the next reception completion if the CBnRX register is not read.

To avoid an overrun error, complete reading the CBnRX register until one half clock before sampling the last bit of the next receive data from the INTCBnR signal generation.

**(1) Operation timing**

14.6.14 Clock timing

(1/2)



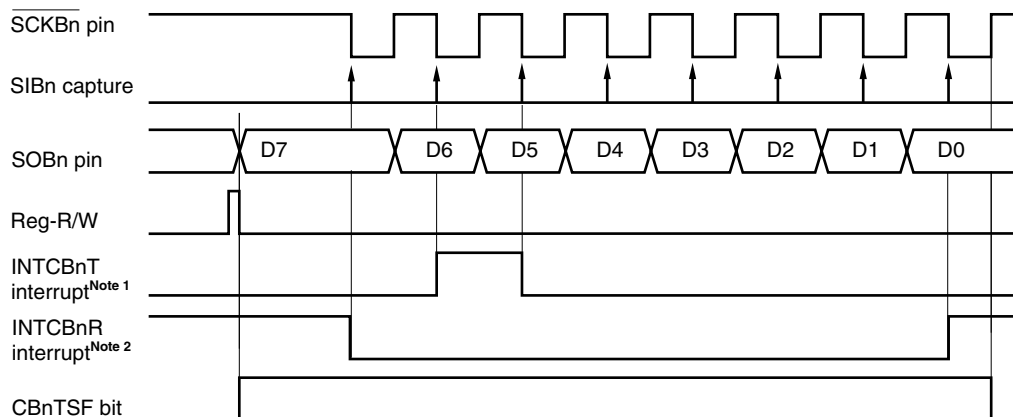
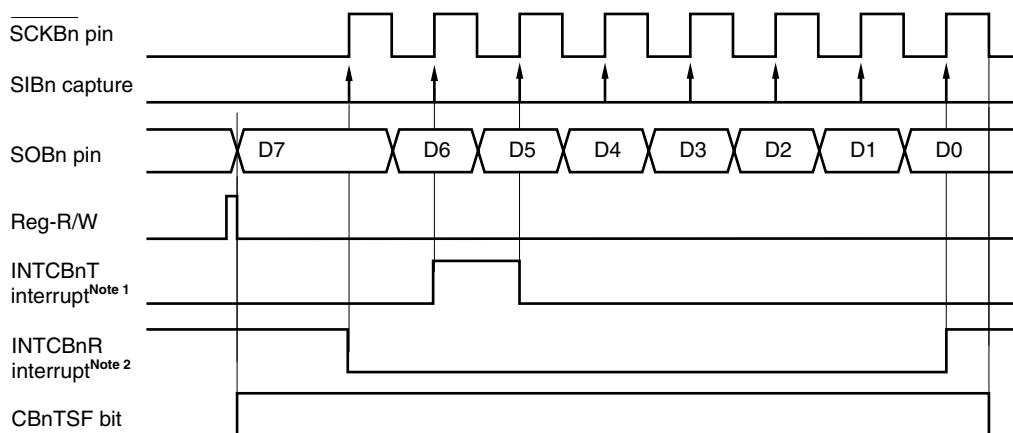
**Notes 1.** The INTCBnT interrupt is set when the data written to the CBnTX register is transferred to the data shift register in the continuous transmission or continuous transmission/reception mode. In the single transmission or single transmission/reception mode, the INTCBnT interrupt request signal is not generated, but the INTCBnR interrupt request signal is generated upon end of communication.

<R> **2.** The INTCBnR interrupt occurs if reception is correctly ended and receive data is ready in the CBnRX register while reception is enabled. In the single mode, the INTCBnR interrupt request signal is generated even in the transmission mode, upon end of communication.

<R> **Caution** In single transfer mode, writing to the CBnTX register with the CBnTSF bit set to 1 is ignored. This has no influence on the operation during transfer.

For example, if the next data is written to the CBnTX register when DMA is started by generating the INTCBnR signal ( $\mu$ PD703253Y only), the written data is not transferred because the CBnTSF bit is set to 1.

Use the continuous transfer mode, not the single transfer mode, for such applications.

**(iii) Communication type 2 (CBnCKP and CBnDAP bits = 01)****(iv) Communication type 4 (CBnCKP and CBnDAP bits = 11)**

**Notes 1.** The INTCBnT interrupt is set when the data written to the CBnTX register is transferred to the data shift register in the continuous transmission or continuous transmission/reception modes. In the single transmission or single transmission/reception modes, the INTCBnT interrupt request signal is not generated, but the INTCBnR interrupt request signal is generated upon end of communication.

<R> **2.** The INTCBnR interrupt occurs if reception is correctly ended and receive data is ready in the CBnRX register while reception is enabled. In the single mode, the INTCBnR interrupt request signal is generated even in the transmission mode, upon end of communication.

<R> **Caution** In single transfer mode, writing to the CBnTX register with the CBnTSF bit set to 1 is ignored. This has no influence on the operation during transfer.

For example, if the next data is written to the CBnTX register when DMA is started by generating the INTCBnR signal ( $\mu$ PD703253Y only), the written data is not transferred because the CBnTSF bit is set to 1.

Use the continuous transfer mode, not the single transfer mode, for such applications.

## 14.7 Output Pins

### (1) $\overline{\text{SCKBn}}$ pin

When CSIBn operation is disabled (CBnCTL0.CBnPWR bit = 0), the  $\overline{\text{SCKBn}}$  pin output status is as follows.

| CBnCKP | CBnCKS2          | CBnCKS1 | CBnCKS0 | $\overline{\text{SCKBn}}$ Pin Output |
|--------|------------------|---------|---------|--------------------------------------|
| 0      | 1                | 1       | 1       | High impedance                       |
|        | Other than above |         |         | Fixed to high level                  |
| 1      | 1                | 1       | 1       | High impedance                       |
|        | Other than above |         |         | Fixed to low level                   |

**Remarks 1.** The output level of the  $\overline{\text{SCKBn}}$  pin changes if any of the CBnCTL1.CBnCKP and CBnCKS2 to CBnCKS0 bits is rewritten.

**2.** n = 0, 1, and 3

### (2) SOBn pin

When CSIBn operation is disabled (CBnPWR bit = 0), the SOBn pin output status is as follows.

| CBnTXE | CBnDAP | CBnDIR | SOBn Pin Output              |
|--------|--------|--------|------------------------------|
| 0      | ×      | ×      | Fixed to low level           |
| 1      | 0      | ×      | SOBn latch value (low level) |
|        | 1      | 0      | CBnTX0 value (MSB)           |
|        |        | 1      | CBnTX0 value (LSB)           |

**Remarks 1.** The SOBn pin output changes when any one of the CBnCTL0.CBnTXE, CBnCTL0.CBnDIR bits, and CBnCTL1.CBnDAP bit is rewritten.

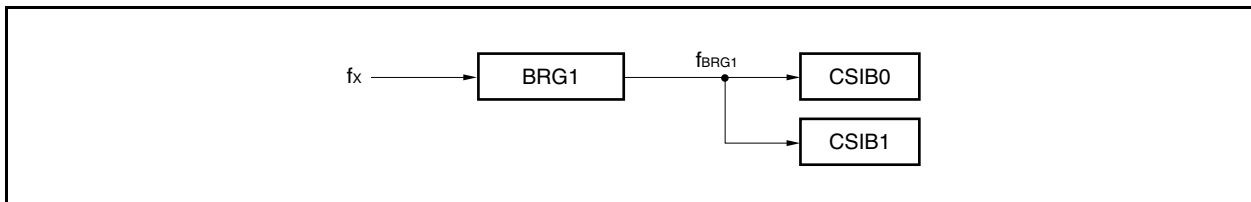
**2.** ×: Don't care

**3.** n = 0, 1, and 3

### 14.8 Baud Rate Generator

CSIB0 and CSIB1 are connected to the BRG1 baud rate generator as shown in the following block diagram.

**Caution** The output from the baud rate generator cannot be used as the transfer clock for CSIB3.



#### (1) BRG1 prescaler mode register (PRSM1)

The PRSM1 register controls generation of the baud rate signal for CSIB.

This register can be read or written in 8-bit or 1-bit units.

Reset sets this register to 00H.

After reset: 00H    R/W    Address: PRSM1 FFFF320H

|       |   |   |   |       |   |   |        |        |
|-------|---|---|---|-------|---|---|--------|--------|
|       | 7 | 6 | 5 | <4>   | 3 | 2 | 1      | 0      |
| PRSM1 | 0 | 0 | 0 | BGCE1 | 0 | 0 | BGCS11 | BGCS10 |

| BGCE1 | Baud rate output |
|-------|------------------|
| 0     | Disabled         |
| 1     | Enabled          |

| BGCS11 | BGCS10 | Input clock selection ( $f_{BGCS1}$ ) | Setting value (k) |
|--------|--------|---------------------------------------|-------------------|
| 0      | 0      | $f_{xx}$                              | 0                 |
| 0      | 1      | $f_{xx}/2$                            | 1                 |
| 1      | 0      | $f_{xx}/4$                            | 2                 |
| 1      | 1      | $f_{xx}/8$                            | 3                 |

**Cautions**

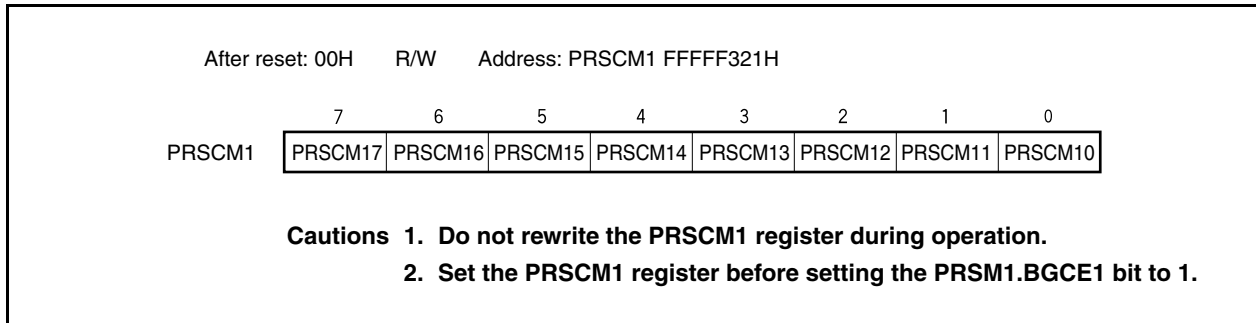
1. Do not rewrite the PRSM1 register during operation.
2. Set the PRSM1 register before setting the BGCE1 bit to 1.

**(2) BRG1 prescaler compare register (PRSCM1)**

The PRSCM1 register is an 8-bit compare register.

This register can be read or written in 8-bit units.

Reset sets this register to 00H.

**14.8.1 Baud rate generation**

The transmission/reception clock is generated by dividing the main clock. The baud rate generated from the main clock is obtained by the following equation.

$$f_{\text{BRG1}} = \frac{f_{\text{XX}}}{2^{k+1} \times N}$$

<R> **Caution** Set  $f_{\text{BRG1}}$  to 8 MHz or lower.

**Remark**

- $f_{\text{BRG1}}$ : BRG1 count clock
- $f_{\text{XX}}$ : Main clock frequency
- k: PRSM1 register setting value = 0 to 3
- N: PRSCM1 register setting value = 1 to 256

However, N = 256 only when PRSCM1 register is set to 00H.



## 14.9 Cautions

- <R>
- (1) When transferring transmit data and receive data using DMA transfer ( $\mu$ PD703253Y only), error processing cannot be performed even if an overrun error occurs during serial transfer. Check that the no overrun error has occurred by reading the CBnSTR.CBnOVE bit after DMA transfer has been completed.
  - (2) In regards to registers that are forbidden from being rewritten during operations (CBnCTL0.CBnPWR bit is 1), if rewriting has been carried out by mistake during operations, set the CBnCTL0.CBnPWR bit to 0 once, then initialize CSIBn.  
Registers to which rewriting during operation are prohibited are shown below.
    - CBnCTL0 register: CBnTXE, CBnRXE, CBnDIR, CBnTMS bits
    - CBnCTL1 register: CBnCKP, CBnDAP, CBnCKS2 to CBnCKS0 bits
    - CBnCTL2 register: CBnCL3 to CBnCL0 bits
  - (3) In communication type 2 or 4 (CBnCTL1.CBnDAP bit = 1), the CBnSTR.CBnTSF bit is cleared half a  $\overline{\text{SCKBn}}$  clock after occurrence of a reception complete interrupt (INTCBnR).  
In the single transfer mode, writing the next transmit data is ignored during communication (CBnTSF bit = 1), and the next communication is not started. Also if reception-only communication (CBnCTL0.CBnTXE bit = 0, CBnCTL0.CBnRXE bit = 1) is set, the next communication is not started even if the receive data is read during communication (CBnTSF bit = 1).  
Therefore, when using the single transfer mode with communication type 2 or 4 (CBnDAP bit = 1), pay particular attention to the following.
    - To start the next transmission, confirm that CBnTSF bit = 0 and then write the transmit data to the CBnTX register.
    - To perform the next reception continuously when reception-only communication (CBnTXE bit = 0, CBnRXE bit = 1) is set, confirm that CBnTSF bit = 0 and then read the CBnRX register.
- Or, use the continuous transfer mode instead of the single transfer mode. Use of the continuous transfer mode is recommended especially for using DMA ( $\mu$ PD703253Y only).
- <R>

**Remark** n = 0, 1, 3

## CHAPTER 15 I<sup>2</sup>C BUS

To use the I<sup>2</sup>C bus function, set the P38/SDA00, P39/SCL00, P40/SDA01, and P41/SCL01 pins as the serial transmit/receive data I/O pins (SDA00 and SDA01) and serial clock I/O pins (SCL00 and SCL01), and set them to N-ch open-drain output.

### 15.1 Mode Switching of I<sup>2</sup>C Bus and Other Serial Interfaces

#### 15.1.1 CSIB0 and I<sup>2</sup>C01 mode switching

In the V850ES/SG1, CSIB0 and I<sup>2</sup>C01 are alternate functions of the same pin and therefore cannot be used simultaneously. Set I<sup>2</sup>C01 in advance, using the PMC4 and PFC4 registers, before use.

**Caution** The transmit/receive operation of CSIB0 and I<sup>2</sup>C01 is not guaranteed if these functions are switched during transmission or reception. Be sure to disable the one that is not used.

**Figure 15-1. CSIB0 and I<sup>2</sup>C01 Mode Switch Settings**

After reset: 00H    R/W    Address: FFFFF448H

|      |   |   |   |   |   |       |       |       |
|------|---|---|---|---|---|-------|-------|-------|
| PMC4 | 7 | 6 | 5 | 4 | 3 | 2     | 1     | 0     |
|      | 0 | 0 | 0 | 0 | 0 | PMC42 | PMC41 | PMC40 |

After reset: 00H    R/W    Address: FFFFF468H

|      |   |   |   |   |   |   |       |       |
|------|---|---|---|---|---|---|-------|-------|
| PFC4 | 7 | 6 | 5 | 4 | 3 | 2 | 1     | 0     |
|      | 0 | 0 | 0 | 0 | 0 | 0 | PFC41 | PFC40 |

| PMC4n | PFC4n | Operation mode          |
|-------|-------|-------------------------|
| 0     | ×     | Port I/O mode           |
| 1     | 0     | CSIB0 mode              |
| 1     | 1     | I <sup>2</sup> C01 mode |

**Remarks**

1. n = 0, 1
2. × = don't care

## 15.2 Features

I<sup>2</sup>C00 and I<sup>2</sup>C01 have the following two modes.

- Operation stopped mode
- I<sup>2</sup>C (Inter IC) bus mode (multimasters supported)

### (1) Operation stopped mode

In this mode, serial transfers are not performed, thus enabling a reduction in power consumption.

### (2) I<sup>2</sup>C bus mode (multimaster support)

This mode is used for 8-bit data transfers with several devices via two lines: a serial clock pin (SCL0n) and a serial data bus pin (SDA0n).

This mode complies with the I<sup>2</sup>C bus format and the master device can generate “start condition”, “address”, “transfer direction specification”, “data”, and “stop condition” data to the slave device via the serial data bus. The slave device automatically detects the received statuses and data by hardware. This function can simplify the part of an application program that controls the I<sup>2</sup>C bus.

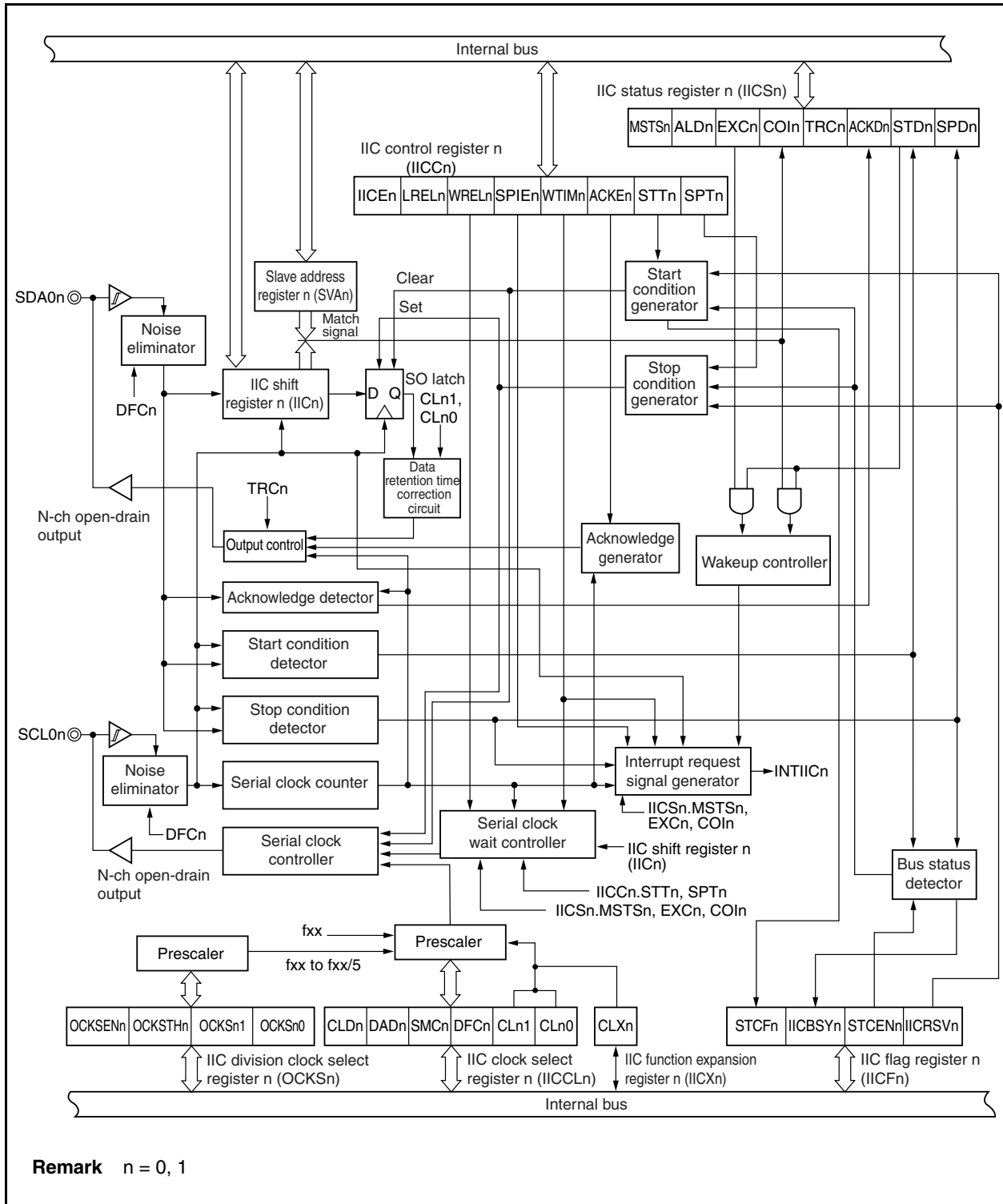
Since SCL0n and SDA0n pins are used for N-ch open-drain outputs, I<sup>2</sup>C0n requires pull-up resistors for the serial clock line and the serial data bus line.

**Remark** n = 0, 1

### 15.3 Configuration

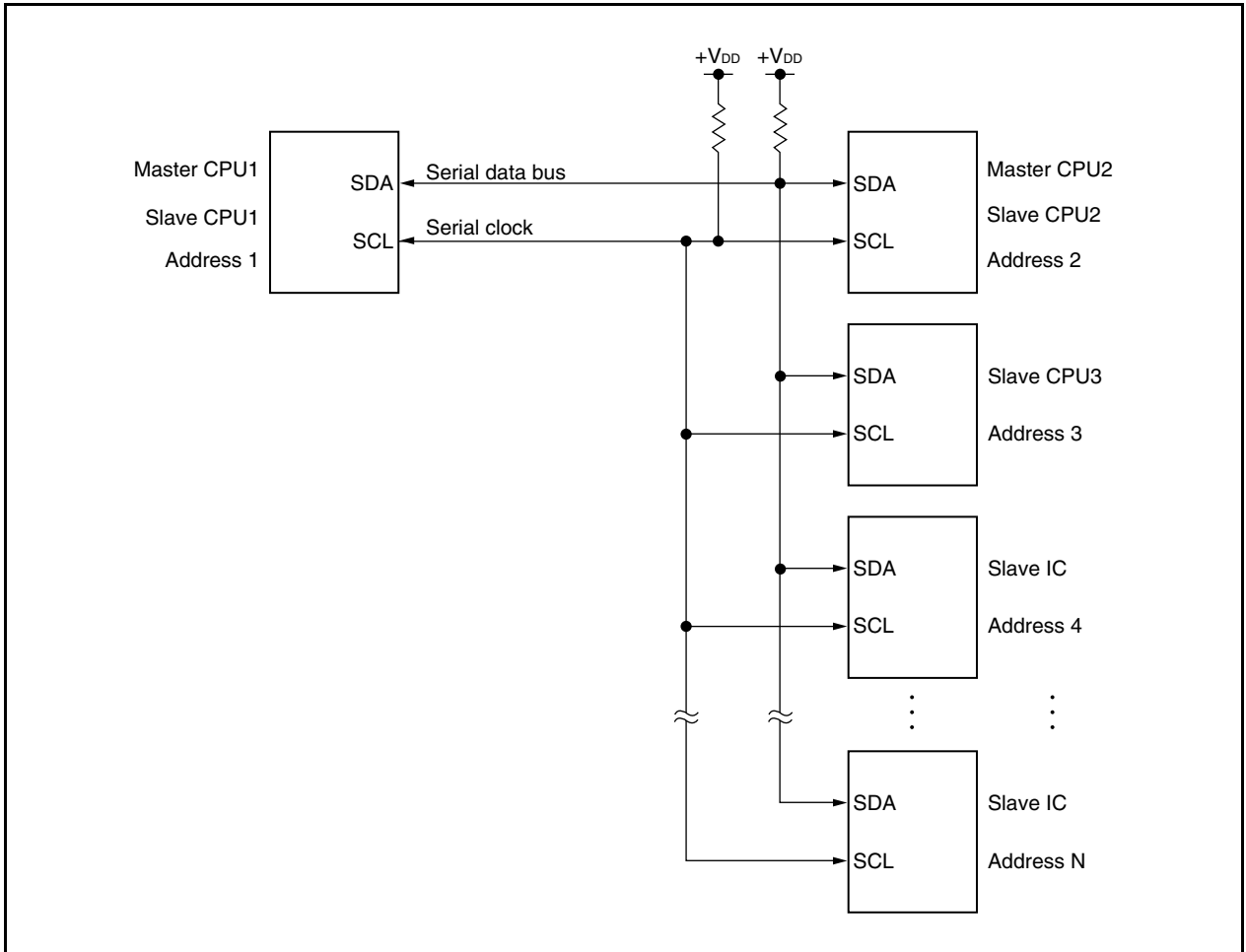
The block diagram of the I<sup>2</sup>C0n is shown below.

Figure 15-2. Block Diagram of I<sup>2</sup>C0n



A serial bus configuration example is shown below.

**Figure 15-3. Serial Bus Configuration Example Using I<sup>2</sup>C Bus**



I<sup>2</sup>C0n includes the following hardware (n = 0, 1).

**Table 15-1. Configuration of I<sup>2</sup>C0n**

| Item              | Configuration                                                                                                                                                                                                                                  |
|-------------------|------------------------------------------------------------------------------------------------------------------------------------------------------------------------------------------------------------------------------------------------|
| Registers         | IIC shift register n (IICn)<br>Slave address register n (SVAn)                                                                                                                                                                                 |
| Control registers | IIC control register n (IICn)<br>IIC status register n (IICSn)<br>IIC flag register n (IICF0n)<br>IIC clock select register n (IICCLn)<br>IIC function expansion register n (IICXn)<br>IIC division clock select registers 0, 1 (OCKS0, OCKS1) |

**(1) IIC shift register n (IICn)**

The IICn register converts 8-bit serial data into 8-bit parallel data and vice versa, and can be used for both transmission and reception (n = 0, 1).

Write and read operations to the IICn register are used to control the actual transmit and receive operations.

This register can be read or written in 8-bit units.

Reset sets this register to 00H.

**(2) Slave address register n (SVAn)**

The SVAn register sets local addresses when in slave mode (n = 0, 1).

This register can be read or written in 8-bit units.

Reset sets this register to 00H.

**(3) SO latch**

The SO latch is used to retain the output level of the SDA0n pin (n = 0, 1).

**(4) Wakeup controller**

This circuit generates an interrupt request signal (INTIICn) when the address received by this register matches the address value set to the SVAn register or when an extension code is received (n = 0, 1).

**(5) Prescaler**

This selects the sampling clock to be used.

**(6) Serial clock counter**

This counter counts the serial clocks that are output and the serial clocks that are input during transmit/receive operations and is used to verify that 8-bit data was transmitted or received.

**(7) Interrupt request signal generator**

This circuit controls the generation of interrupt request signals (INTIICn).

An I<sup>2</sup>C interrupt is generated following either of two triggers.

- Falling edge of eighth or ninth clock of the serial clock (set by IICCN.WTIMn bit)
- Interrupt occurrence due to stop condition detection (set by IICCN.SPIEn bit)

**Remark** n = 0, 1

**(8) Serial clock controller**

In master mode, this circuit generates the clock output via the SCL0n pin from the sampling clock (n = 0, 1).

**(9) Serial clock wait controller**

This circuit controls the wait timing.

**(10)  $\overline{\text{ACK}}$  generator, stop condition detector, start condition detector, and  $\overline{\text{ACK}}$  detector**

These circuits are used to generate and detect various statuses.

**(11) Data hold time correction circuit**

This circuit generates the hold time for data corresponding to the falling edge of the SCL0n pin.

**(12) Start condition generator**

A start condition is generated when the IICCN.STTn bit is set.

However, in the communication reservation disabled status (IICFn.IICRSVn bit = 1), this request is ignored and the IICFn.STCFn bit is set to 1 if the bus is not released (IICFn.IICBSYn bit = 1).

**(13) Stop condition generator**

A stop condition is generated when the IICCN.SPTn bit is set (1).

**(14) Bus status detector**

Whether the bus is released or not is ascertained by detecting a start condition and stop condition.

However, the bus status cannot be detected immediately after operation, so set the bus status detector to the initial status by using the IICFn.STCENn bit.

## 15.4 Registers

I<sup>2</sup>C00 and I<sup>2</sup>C01 are controlled by the following registers.

- IIC control registers 0, 1 (IICC0, IICC1)
- IIC status registers 0, 1 (IICS0, IICS1)
- IIC flag registers 0, 1 (IICF0, IICF1)
- IIC clock select registers 0, 1 (IICCL0, IICCL1)
- IIC function expansion registers 0, 1 (IICX0, IICX1)
- IIC division clock select registers 0, 1 (OCKS0, OCKS1)

The following registers are also used.

- IIC shift registers 0, 1 (IIC0, IIC1)
- Slave address registers 0, 1 (SVA0, SVA1)

**Remark** For the alternate-function pin settings, see **Table 4-15 Using Port Pin as Alternate-Function Pin**.

### (1) IIC control registers 0, 1 (IICC0, IICC1)

The IIC<sub>n</sub> register enables/stops I<sup>2</sup>C<sub>n</sub> operations, sets the wait timing, and sets other I<sup>2</sup>C operations (n = 0, 1). This register can be read or written in 8-bit or 1-bit units. However, set the SPIEn, WTIMn, and ACKEn bits when the IICEn bit is 0 or during the wait period. When setting the IICEn bit from “0” to “1”, these bits can also be set at the same time.

Reset sets this register to 00H.



After reset: 00H R/W Address: IICC0 FFFFFFFD82H, IICC1 FFFFFFFD92H

|       |       |       |       |       |       |       |      |      |
|-------|-------|-------|-------|-------|-------|-------|------|------|
|       | <7>   | <6>   | <5>   | <4>   | <3>   | <2>   | <1>  | <0>  |
| IICcn | IICEn | LRELn | WRELn | SPIEn | WTIMn | ACKEn | STTn | SPTn |

(n = 0, 1)

|                                                                                                   |                                                                                         |
|---------------------------------------------------------------------------------------------------|-----------------------------------------------------------------------------------------|
| IICEn                                                                                             | Specification of I <sup>2</sup> Cn operation enable/disable                             |
| 0                                                                                                 | Operation stopped. IICSn register reset <sup>Note 1</sup> . Internal operation stopped. |
| 1                                                                                                 | Operation enabled.                                                                      |
| Be sure to set this bit to 1 when the SCL0n and SDA0n lines are high level.                       |                                                                                         |
| Condition for clearing (IICEn bit = 0)                                                            |                                                                                         |
| <ul style="list-style-type: none"> <li>• Cleared by instruction</li> <li>• After reset</li> </ul> |                                                                                         |
| Condition for setting (IICEn bit = 1)                                                             |                                                                                         |
| <ul style="list-style-type: none"> <li>• Set by instruction</li> </ul>                            |                                                                                         |

|                                                                                                                                                                                                                   |                                                                                                                                                                                                                                                                                                                                                                                                          |
|-------------------------------------------------------------------------------------------------------------------------------------------------------------------------------------------------------------------|----------------------------------------------------------------------------------------------------------------------------------------------------------------------------------------------------------------------------------------------------------------------------------------------------------------------------------------------------------------------------------------------------------|
| LRELn <sup>Note 2</sup>                                                                                                                                                                                           | Exit from communications                                                                                                                                                                                                                                                                                                                                                                                 |
| 0                                                                                                                                                                                                                 | Normal operation                                                                                                                                                                                                                                                                                                                                                                                         |
| 1                                                                                                                                                                                                                 | This exits from the current communication operation and sets standby mode. This setting is automatically cleared after being executed. Its uses include cases in which a locally irrelevant extension code has been received.<br>The SCL0n and SDA0n lines are set to high impedance.<br>The STTn and SPTn bits and the MSTSn, EXCn, COIn, TRCn, ACKDn, and STDn bits of the IICSn register are cleared. |
| The standby mode following exit from communications remains in effect until the following communication entry conditions are met.                                                                                 |                                                                                                                                                                                                                                                                                                                                                                                                          |
| <ul style="list-style-type: none"> <li>• After a stop condition is detected, restart is in master mode.</li> <li>• An address match occurs or an extension code is received after the start condition.</li> </ul> |                                                                                                                                                                                                                                                                                                                                                                                                          |
| Condition for clearing (LRELn bit = 0)                                                                                                                                                                            |                                                                                                                                                                                                                                                                                                                                                                                                          |
| <ul style="list-style-type: none"> <li>• Automatically cleared after execution</li> <li>• After reset</li> </ul>                                                                                                  |                                                                                                                                                                                                                                                                                                                                                                                                          |
| Condition for setting (LRELn bit = 1)                                                                                                                                                                             |                                                                                                                                                                                                                                                                                                                                                                                                          |
| <ul style="list-style-type: none"> <li>• Set by instruction</li> </ul>                                                                                                                                            |                                                                                                                                                                                                                                                                                                                                                                                                          |

|                                                                                                                  |                                                                                          |
|------------------------------------------------------------------------------------------------------------------|------------------------------------------------------------------------------------------|
| WRELn <sup>Note 2</sup>                                                                                          | Wait state cancellation control                                                          |
| 0                                                                                                                | Wait state not canceled                                                                  |
| 1                                                                                                                | Wait state canceled. This setting is automatically cleared after wait state is canceled. |
| Condition for clearing (WRELn bit = 0)                                                                           |                                                                                          |
| <ul style="list-style-type: none"> <li>• Automatically cleared after execution</li> <li>• After reset</li> </ul> |                                                                                          |
| Condition for setting (WRELn bit = 1)                                                                            |                                                                                          |
| <ul style="list-style-type: none"> <li>• Set by instruction</li> </ul>                                           |                                                                                          |

- Notes**
1. The IICSn register, IICFn.STCFn and IICFn.IICBSYn bits, and IICCLn.CLDn and IICCLn.DADn bits are reset.
  2. This flag's signal is invalid when the IICEn bit = 0.

**Caution** If the I<sup>2</sup>Cn operation is enabled (IICEn bit = 1) when the SCL0n line is high level and the SDA0n line is low level, the start condition is detected immediately. To avoid this, after enabling the I<sup>2</sup>Cn operation, immediately set the LRELn bit to 1 with a bit manipulation instruction.

**Remark** The LRELn and WRELn bits are 0 when read after the data has been set.

| SPIEn <sup>Note</sup>                                                                             | Enable/disable generation of interrupt request when stop condition is detected |                                                                        |
|---------------------------------------------------------------------------------------------------|--------------------------------------------------------------------------------|------------------------------------------------------------------------|
| 0                                                                                                 | Disabled                                                                       |                                                                        |
| 1                                                                                                 | Enabled                                                                        |                                                                        |
| Condition for clearing (SPIEn bit = 0)                                                            |                                                                                | Condition for setting (SPIEn bit = 1)                                  |
| <ul style="list-style-type: none"> <li>• Cleared by instruction</li> <li>• After reset</li> </ul> |                                                                                | <ul style="list-style-type: none"> <li>• Set by instruction</li> </ul> |

| WTIMn <sup>Note</sup>                                                                                                                                                                                                                                                                                                                                                                                                                                                                                                                                                              | Control of wait state and interrupt request generation                                                                                                                                                                                                                                                  |                                                                        |
|------------------------------------------------------------------------------------------------------------------------------------------------------------------------------------------------------------------------------------------------------------------------------------------------------------------------------------------------------------------------------------------------------------------------------------------------------------------------------------------------------------------------------------------------------------------------------------|---------------------------------------------------------------------------------------------------------------------------------------------------------------------------------------------------------------------------------------------------------------------------------------------------------|------------------------------------------------------------------------|
| 0                                                                                                                                                                                                                                                                                                                                                                                                                                                                                                                                                                                  | Interrupt request is generated at the eighth clock's falling edge.<br>Master mode: After output of eight clocks, clock output is set to low level and the wait state is set.<br>Slave mode: After input of eight clocks, the clock is set to low level and the wait state is set for the master device. |                                                                        |
| 1                                                                                                                                                                                                                                                                                                                                                                                                                                                                                                                                                                                  | Interrupt request is generated at the ninth clock's falling edge.<br>Master mode: After output of nine clocks, clock output is set to low level and the wait state is set.<br>Slave mode: After input of nine clocks, the clock is set to low level and the wait state is set for the master device.    |                                                                        |
| During address transfer, an interrupt occurs at the falling edge of the ninth clock regardless of this bit setting. This bit setting becomes valid when the address transfer is completed. In master mode, a wait state is inserted at the falling edge of the ninth clock during address transfer. For a slave device that has received a local address, a wait state is inserted at the falling edge of the ninth clock after ACK is generated. When the slave device has received an extension code, however, a wait state is inserted at the falling edge of the eighth clock. |                                                                                                                                                                                                                                                                                                         |                                                                        |
| Condition for clearing (WTIMn bit = 0)                                                                                                                                                                                                                                                                                                                                                                                                                                                                                                                                             |                                                                                                                                                                                                                                                                                                         | Condition for setting (WTIMn bit = 1)                                  |
| <ul style="list-style-type: none"> <li>• Cleared by instruction</li> <li>• After reset</li> </ul>                                                                                                                                                                                                                                                                                                                                                                                                                                                                                  |                                                                                                                                                                                                                                                                                                         | <ul style="list-style-type: none"> <li>• Set by instruction</li> </ul> |

| ACKEn <sup>Note</sup>                                                                                                                                                                         | Acknowledgment control                                                                     |                                                                        |
|-----------------------------------------------------------------------------------------------------------------------------------------------------------------------------------------------|--------------------------------------------------------------------------------------------|------------------------------------------------------------------------|
| 0                                                                                                                                                                                             | Acknowledgment disabled.                                                                   |                                                                        |
| 1                                                                                                                                                                                             | Acknowledgment enabled. During the ninth clock period, the SDA0n line is set to low level. |                                                                        |
| The ACKEn bit setting is invalid for address reception. In this case, ACK is generated when the addresses match. However, the ACKEn bit setting is valid for reception of the extension code. |                                                                                            |                                                                        |
| Condition for clearing (ACKEn bit = 0)                                                                                                                                                        |                                                                                            | Condition for setting (ACKEn bit = 1)                                  |
| <ul style="list-style-type: none"> <li>• Cleared by instruction</li> <li>• After reset</li> </ul>                                                                                             |                                                                                            | <ul style="list-style-type: none"> <li>• Set by instruction</li> </ul> |

**Note** This flag's signal is invalid when the IICEn bit = 0.

**Remark** n = 0, 1

<R>

| STTn                                                                                                                                                                                                                                                                                                                                                                                                                                                                                                                                                                                                                                                                                                                                                                                            | Start condition trigger                                                                                                                                                                                                                                                                                                                                                                                                                                                                                                                                                                                                                                                                                                                                                                                                                                                                                                                                                                                                                                                                                                                      |                                       |                                      |                                                                                                                                                                                                                                                                                                                                                                                     |                                                                        |
|-------------------------------------------------------------------------------------------------------------------------------------------------------------------------------------------------------------------------------------------------------------------------------------------------------------------------------------------------------------------------------------------------------------------------------------------------------------------------------------------------------------------------------------------------------------------------------------------------------------------------------------------------------------------------------------------------------------------------------------------------------------------------------------------------|----------------------------------------------------------------------------------------------------------------------------------------------------------------------------------------------------------------------------------------------------------------------------------------------------------------------------------------------------------------------------------------------------------------------------------------------------------------------------------------------------------------------------------------------------------------------------------------------------------------------------------------------------------------------------------------------------------------------------------------------------------------------------------------------------------------------------------------------------------------------------------------------------------------------------------------------------------------------------------------------------------------------------------------------------------------------------------------------------------------------------------------------|---------------------------------------|--------------------------------------|-------------------------------------------------------------------------------------------------------------------------------------------------------------------------------------------------------------------------------------------------------------------------------------------------------------------------------------------------------------------------------------|------------------------------------------------------------------------|
| 0                                                                                                                                                                                                                                                                                                                                                                                                                                                                                                                                                                                                                                                                                                                                                                                               | Start condition is not generated.                                                                                                                                                                                                                                                                                                                                                                                                                                                                                                                                                                                                                                                                                                                                                                                                                                                                                                                                                                                                                                                                                                            |                                       |                                      |                                                                                                                                                                                                                                                                                                                                                                                     |                                                                        |
| 1                                                                                                                                                                                                                                                                                                                                                                                                                                                                                                                                                                                                                                                                                                                                                                                               | <p>When bus is released (in STOP mode):<br/>                     A start condition is generated (for starting as master). The SDA0n line is changed from high level to low level while the SCLn line is high level and then the start condition is generated. Next, after the rated amount of time has elapsed, the SCL0n line is changed to low level (wait state).</p> <p>During communication with a third party:</p> <ul style="list-style-type: none"> <li>• If the communication reservation function is enabled (IICFn.IICRSVn bit = 0)<br/>                             This trigger functions as a start condition reserve flag. When set to 1, it releases the bus and then automatically generates a start condition.</li> <li>• If the communication reservation function is disabled (IICRSVn = 1)<br/>                             The IICFn.STCFn bit is set to 1 and information set (1) to the STTn bit is cleared. This trigger does not generate a start condition.</li> </ul> <p>In the wait state (when master device):<br/>                     A restart condition is generated after the wait state is released.</p> |                                       |                                      |                                                                                                                                                                                                                                                                                                                                                                                     |                                                                        |
| <p>Cautions concerning set timing</p> <p>For master reception: Cannot be set to 1 during transfer. Can be set to 1 only when the ACKEn bit has been set to 0 and the slave has been notified of final reception.</p> <p>For master transmission: A start condition cannot be generated normally during the ACK period. Set to 1 during the wait period that follows output of the ninth clock.</p> <p>For slave: Even when the communication reservation function is disabled (IICRSVn bit = 1), the communication reservation status is entered.</p> <ul style="list-style-type: none"> <li>• Setting to 1 at the same time as the SPTn bit is prohibited.</li> <li>• When the STTn bit is set to 1, setting the STTn bit to 1 again is disabled until the setting is cleared to 0.</li> </ul> |                                                                                                                                                                                                                                                                                                                                                                                                                                                                                                                                                                                                                                                                                                                                                                                                                                                                                                                                                                                                                                                                                                                                              |                                       |                                      |                                                                                                                                                                                                                                                                                                                                                                                     |                                                                        |
| <table border="1"> <thead> <tr> <th>Condition for clearing (STTn bit = 0)</th> <th>Condition for setting (STTn bit = 1)</th> </tr> </thead> <tbody> <tr> <td> <ul style="list-style-type: none"> <li>• When the STTn bit is set to 1 in the communication reservation disabled status</li> <li>• Cleared by loss in arbitration</li> <li>• Cleared by start condition generation in the master device</li> <li>• When the LRELn bit = 1 (communication save)</li> <li>• When the IICEn bit = 0 (operation stop)</li> <li>• After reset</li> </ul> </td> <td> <ul style="list-style-type: none"> <li>• Set by instruction</li> </ul> </td> </tr> </tbody> </table>                                                                                                                               |                                                                                                                                                                                                                                                                                                                                                                                                                                                                                                                                                                                                                                                                                                                                                                                                                                                                                                                                                                                                                                                                                                                                              | Condition for clearing (STTn bit = 0) | Condition for setting (STTn bit = 1) | <ul style="list-style-type: none"> <li>• When the STTn bit is set to 1 in the communication reservation disabled status</li> <li>• Cleared by loss in arbitration</li> <li>• Cleared by start condition generation in the master device</li> <li>• When the LRELn bit = 1 (communication save)</li> <li>• When the IICEn bit = 0 (operation stop)</li> <li>• After reset</li> </ul> | <ul style="list-style-type: none"> <li>• Set by instruction</li> </ul> |
| Condition for clearing (STTn bit = 0)                                                                                                                                                                                                                                                                                                                                                                                                                                                                                                                                                                                                                                                                                                                                                           | Condition for setting (STTn bit = 1)                                                                                                                                                                                                                                                                                                                                                                                                                                                                                                                                                                                                                                                                                                                                                                                                                                                                                                                                                                                                                                                                                                         |                                       |                                      |                                                                                                                                                                                                                                                                                                                                                                                     |                                                                        |
| <ul style="list-style-type: none"> <li>• When the STTn bit is set to 1 in the communication reservation disabled status</li> <li>• Cleared by loss in arbitration</li> <li>• Cleared by start condition generation in the master device</li> <li>• When the LRELn bit = 1 (communication save)</li> <li>• When the IICEn bit = 0 (operation stop)</li> <li>• After reset</li> </ul>                                                                                                                                                                                                                                                                                                                                                                                                             | <ul style="list-style-type: none"> <li>• Set by instruction</li> </ul>                                                                                                                                                                                                                                                                                                                                                                                                                                                                                                                                                                                                                                                                                                                                                                                                                                                                                                                                                                                                                                                                       |                                       |                                      |                                                                                                                                                                                                                                                                                                                                                                                     |                                                                        |

- Remarks**
1. The STTn bit is 0 if it is read immediately after data setting.
  2. n = 0, 1

| SPTn                                                                                                                                                                                                                                                                                                                                                                                                                                                                                                                                                                                                                                                                                                                                                                                                                                                                                                                                                                                                                                                                                                                                                                                                                                          | Stop condition trigger                                                                                                                                                                                                                                                                                                                                |                                       |                                      |                                                                                                                                                                                                                                                                                       |                                                                        |
|-----------------------------------------------------------------------------------------------------------------------------------------------------------------------------------------------------------------------------------------------------------------------------------------------------------------------------------------------------------------------------------------------------------------------------------------------------------------------------------------------------------------------------------------------------------------------------------------------------------------------------------------------------------------------------------------------------------------------------------------------------------------------------------------------------------------------------------------------------------------------------------------------------------------------------------------------------------------------------------------------------------------------------------------------------------------------------------------------------------------------------------------------------------------------------------------------------------------------------------------------|-------------------------------------------------------------------------------------------------------------------------------------------------------------------------------------------------------------------------------------------------------------------------------------------------------------------------------------------------------|---------------------------------------|--------------------------------------|---------------------------------------------------------------------------------------------------------------------------------------------------------------------------------------------------------------------------------------------------------------------------------------|------------------------------------------------------------------------|
| 0                                                                                                                                                                                                                                                                                                                                                                                                                                                                                                                                                                                                                                                                                                                                                                                                                                                                                                                                                                                                                                                                                                                                                                                                                                             | Stop condition is not generated.                                                                                                                                                                                                                                                                                                                      |                                       |                                      |                                                                                                                                                                                                                                                                                       |                                                                        |
| 1                                                                                                                                                                                                                                                                                                                                                                                                                                                                                                                                                                                                                                                                                                                                                                                                                                                                                                                                                                                                                                                                                                                                                                                                                                             | Stop condition is generated (termination of master device's transfer).<br>After the SDA0n line goes to low level, either set the SCL0n line to high level or wait until the SCL0n pin goes to high level. Next, after the rated amount of time has elapsed, the SDA0n line is changed from low level to high level and a stop condition is generated. |                                       |                                      |                                                                                                                                                                                                                                                                                       |                                                                        |
| <p>Cautions concerning set timing</p> <p>For master reception: Cannot be set to 1 during transfer.<br/>Can be set to 1 only when the ACKEn bit has been set to 0 and during the wait period after the slave has been notified of final reception.</p> <p>For master transmission: A stop condition cannot be generated normally during the <math>\overline{\text{ACK}}</math> reception period. Set to 1 during the wait period that follows output of the ninth clock.</p> <ul style="list-style-type: none"> <li>• Cannot be set to 1 at the same time as the STTn bit.</li> <li>• The SPTn bit can be set to 1 only when in master mode<sup>Note</sup>.</li> <li>• When the WTIMn bit has been set to 0, if the SPTn bit is set to 1 during the wait period that follows output of eight clocks, note that a stop condition will be generated during the high-level period of the ninth clock. The WTIMn bit should be changed from 0 to 1 during the wait period following output of eight clocks, and the SPTn bit should be set to 1 during the wait period that follows output of the ninth clock.</li> <li>• When the SPTn bit is set to 1, setting the SPTn bit to 1 again is disabled until the setting is cleared to 0.</li> </ul> |                                                                                                                                                                                                                                                                                                                                                       |                                       |                                      |                                                                                                                                                                                                                                                                                       |                                                                        |
| <table border="1"> <thead> <tr> <th>Condition for clearing (SPTn bit = 0)</th> <th>Condition for setting (SPTn bit = 1)</th> </tr> </thead> <tbody> <tr> <td> <ul style="list-style-type: none"> <li>• Cleared by loss in arbitration</li> <li>• Automatically cleared after stop condition is detected</li> <li>• When the LRELn bit = 1 (communication save)</li> <li>• When the IICEn bit = 0 (operation stop)</li> <li>• After reset</li> </ul> </td> <td> <ul style="list-style-type: none"> <li>• Set by instruction</li> </ul> </td> </tr> </tbody> </table>                                                                                                                                                                                                                                                                                                                                                                                                                                                                                                                                                                                                                                                                           |                                                                                                                                                                                                                                                                                                                                                       | Condition for clearing (SPTn bit = 0) | Condition for setting (SPTn bit = 1) | <ul style="list-style-type: none"> <li>• Cleared by loss in arbitration</li> <li>• Automatically cleared after stop condition is detected</li> <li>• When the LRELn bit = 1 (communication save)</li> <li>• When the IICEn bit = 0 (operation stop)</li> <li>• After reset</li> </ul> | <ul style="list-style-type: none"> <li>• Set by instruction</li> </ul> |
| Condition for clearing (SPTn bit = 0)                                                                                                                                                                                                                                                                                                                                                                                                                                                                                                                                                                                                                                                                                                                                                                                                                                                                                                                                                                                                                                                                                                                                                                                                         | Condition for setting (SPTn bit = 1)                                                                                                                                                                                                                                                                                                                  |                                       |                                      |                                                                                                                                                                                                                                                                                       |                                                                        |
| <ul style="list-style-type: none"> <li>• Cleared by loss in arbitration</li> <li>• Automatically cleared after stop condition is detected</li> <li>• When the LRELn bit = 1 (communication save)</li> <li>• When the IICEn bit = 0 (operation stop)</li> <li>• After reset</li> </ul>                                                                                                                                                                                                                                                                                                                                                                                                                                                                                                                                                                                                                                                                                                                                                                                                                                                                                                                                                         | <ul style="list-style-type: none"> <li>• Set by instruction</li> </ul>                                                                                                                                                                                                                                                                                |                                       |                                      |                                                                                                                                                                                                                                                                                       |                                                                        |

**Note** Set the SPTn bit to 1 only in master mode. However, when the IICRSVn bit is 0, the SPTn bit must be set to 1 and a stop condition generated before the first stop condition is detected following the switch to the operation enabled status. For details, see **15.15 Cautions**.

**Caution** When the TRCn bit = 1, the WRELn bit is set to 1 during the ninth clock and the wait state is canceled, after which the TRCn bit is cleared to 0 and the SDA0n line is set to high impedance.

**Remarks**

1. The SPTn bit is 0 if it is read immediately after data setting.
2. n = 0, 1

**(2) IIC status registers 0, 1 (IICS0, IICS1)**

The IICS<sub>n</sub> register indicates the status of I<sup>2</sup>C0<sub>n</sub> (n = 0, 1).

This register is read-only, in 8-bit or 1-bit units. However, the IICS<sub>n</sub> register can only be read when the IIC<sub>n</sub>.STT<sub>n</sub> bit is 1 or during the wait period.

Reset sets this register to 00H.

**Caution** Accessing the IICS<sub>n</sub> register is prohibited in the following statuses. For details, refer to 3.4.9 (2) Accessing specific on-chip peripheral I/O registers.

- When the CPU operates with the subclock and the main clock oscillation is stopped
- When the CPU operates with the internal oscillation clock

(1/3)

|                   |                                                                                                                                                                                                                                                                                              |                                                                                                    |      |      |                                                                                                                                                                                      |      |       |      |      |
|-------------------|----------------------------------------------------------------------------------------------------------------------------------------------------------------------------------------------------------------------------------------------------------------------------------------------|----------------------------------------------------------------------------------------------------|------|------|--------------------------------------------------------------------------------------------------------------------------------------------------------------------------------------|------|-------|------|------|
| After reset: 00H  | R                                                                                                                                                                                                                                                                                            | Address: IICS0 FFFFFD86H, IICS1 FFFFFD96H                                                          |      |      |                                                                                                                                                                                      |      |       |      |      |
|                   |                                                                                                                                                                                                                                                                                              | <7>                                                                                                | <6>  | <5>  | <4>                                                                                                                                                                                  | <3>  | <2>   | <1>  | <0>  |
| IICS <sub>n</sub> |                                                                                                                                                                                                                                                                                              | MSTSn                                                                                              | ALDn | EXCn | COIn                                                                                                                                                                                 | TRCn | ACKDn | STDn | SPDn |
| (n = 0, 1)        |                                                                                                                                                                                                                                                                                              |                                                                                                    |      |      |                                                                                                                                                                                      |      |       |      |      |
|                   | MSTSn                                                                                                                                                                                                                                                                                        | Master device status                                                                               |      |      |                                                                                                                                                                                      |      |       |      |      |
|                   | 0                                                                                                                                                                                                                                                                                            | Slave device status or communication standby status                                                |      |      |                                                                                                                                                                                      |      |       |      |      |
|                   | 1                                                                                                                                                                                                                                                                                            | Master device communication status                                                                 |      |      |                                                                                                                                                                                      |      |       |      |      |
|                   | Condition for clearing (MSTSn bit = 0)                                                                                                                                                                                                                                                       |                                                                                                    |      |      | Condition for setting (MSTSn bit = 1)                                                                                                                                                |      |       |      |      |
|                   | <ul style="list-style-type: none"> <li>• When a stop condition is detected</li> <li>• When the ALDn bit = 1 (arbitration loss)</li> <li>• Cleared by LRELn bit = 1 (communication save)</li> <li>• When the IICEn bit changes from 1 to 0 (operation stop)</li> <li>• After reset</li> </ul> |                                                                                                    |      |      | <ul style="list-style-type: none"> <li>• When a start condition is generated</li> </ul>                                                                                              |      |       |      |      |
|                   | ALDn                                                                                                                                                                                                                                                                                         | Arbitration loss detection                                                                         |      |      |                                                                                                                                                                                      |      |       |      |      |
|                   | 0                                                                                                                                                                                                                                                                                            | This status means either that there was no arbitration or that the arbitration result was a “win”. |      |      |                                                                                                                                                                                      |      |       |      |      |
|                   | 1                                                                                                                                                                                                                                                                                            | This status indicates the arbitration result was a “loss”. The MSTSn bit is cleared to 0.          |      |      |                                                                                                                                                                                      |      |       |      |      |
|                   | Condition for clearing (ALDn bit = 0)                                                                                                                                                                                                                                                        |                                                                                                    |      |      | Condition for setting (ALDn bit = 1)                                                                                                                                                 |      |       |      |      |
|                   | <ul style="list-style-type: none"> <li>• Automatically cleared after the IICS<sub>n</sub> register is read<sup>Note</sup></li> <li>• When the IICEn bit changes from 1 to 0 (operation stop)</li> <li>• After reset</li> </ul>                                                               |                                                                                                    |      |      | <ul style="list-style-type: none"> <li>• When the arbitration result is a “loss”.</li> </ul>                                                                                         |      |       |      |      |
|                   | EXCn                                                                                                                                                                                                                                                                                         | Detection of extension code reception                                                              |      |      |                                                                                                                                                                                      |      |       |      |      |
|                   | 0                                                                                                                                                                                                                                                                                            | Extension code was not received.                                                                   |      |      |                                                                                                                                                                                      |      |       |      |      |
|                   | 1                                                                                                                                                                                                                                                                                            | Extension code was received.                                                                       |      |      |                                                                                                                                                                                      |      |       |      |      |
|                   | Condition for clearing (EXCn bit = 0)                                                                                                                                                                                                                                                        |                                                                                                    |      |      | Condition for setting (EXCn bit = 1)                                                                                                                                                 |      |       |      |      |
|                   | <ul style="list-style-type: none"> <li>• When a start condition is detected</li> <li>• When a stop condition is detected</li> <li>• Cleared by LRELn bit = 1 (communication save)</li> <li>• When the IICEn bit changes from 1 to 0 (operation stop)</li> <li>• After reset</li> </ul>       |                                                                                                    |      |      | <ul style="list-style-type: none"> <li>• When the higher four bits of the received address data are either “0000” or “1111” (set at the rising edge of the eighth clock).</li> </ul> |      |       |      |      |
|                   | <p><b>Note</b> This bit is also cleared when a bit manipulation instruction is executed for another bit in the IICS<sub>n</sub> register.</p>                                                                                                                                                |                                                                                                    |      |      |                                                                                                                                                                                      |      |       |      |      |

| COIn                                                                                                                                                                                                                                                                                   | Matching address detection |                                                                                                                                                                       |
|----------------------------------------------------------------------------------------------------------------------------------------------------------------------------------------------------------------------------------------------------------------------------------------|----------------------------|-----------------------------------------------------------------------------------------------------------------------------------------------------------------------|
| 0                                                                                                                                                                                                                                                                                      | Addresses do not match.    |                                                                                                                                                                       |
| 1                                                                                                                                                                                                                                                                                      | Addresses match.           |                                                                                                                                                                       |
| Condition for clearing (COIn bit = 0)                                                                                                                                                                                                                                                  |                            | Condition for setting (COIn bit = 1)                                                                                                                                  |
| <ul style="list-style-type: none"> <li>• When a start condition is detected</li> <li>• When a stop condition is detected</li> <li>• Cleared by LRELn bit = 1 (communication save)</li> <li>• When the IICEn bit changes from 1 to 0 (operation stop)</li> <li>• After reset</li> </ul> |                            | <ul style="list-style-type: none"> <li>• When the received address matches the local address (SVAn register) (set at the rising edge of the eighth clock).</li> </ul> |

| TRCn                                                                                                                                                                                                                                                                                                                                                                                                                                                                                                                                                                                                                                                                | Transmit/receive status detection                                                                                                                        |                                                                                                                                                                                                                                                                                                                                                      |
|---------------------------------------------------------------------------------------------------------------------------------------------------------------------------------------------------------------------------------------------------------------------------------------------------------------------------------------------------------------------------------------------------------------------------------------------------------------------------------------------------------------------------------------------------------------------------------------------------------------------------------------------------------------------|----------------------------------------------------------------------------------------------------------------------------------------------------------|------------------------------------------------------------------------------------------------------------------------------------------------------------------------------------------------------------------------------------------------------------------------------------------------------------------------------------------------------|
| 0                                                                                                                                                                                                                                                                                                                                                                                                                                                                                                                                                                                                                                                                   | Receive status (other than transmit status). The SDA0n line is set to high impedance.                                                                    |                                                                                                                                                                                                                                                                                                                                                      |
| 1                                                                                                                                                                                                                                                                                                                                                                                                                                                                                                                                                                                                                                                                   | Transmit status. The value in the SO latch is enabled for output to the SDA0n line (valid starting at the falling edge of the first byte's ninth clock). |                                                                                                                                                                                                                                                                                                                                                      |
| Condition for clearing (TRCn bit = 0)                                                                                                                                                                                                                                                                                                                                                                                                                                                                                                                                                                                                                               |                                                                                                                                                          | Condition for setting (TRCn bit = 1)                                                                                                                                                                                                                                                                                                                 |
| <ul style="list-style-type: none"> <li>• When a stop condition is detected</li> <li>• Cleared by LRELn bit = 1 (communication save)</li> <li>• When the IICEn bit changes from 1 to 0 (operation stop)</li> <li>• Cleared by IICn.WRELn bit = 1<sup>Note</sup></li> <li>• When the ALDn bit changes from 0 to 1 (arbitration loss)</li> <li>• After reset</li> </ul> <p>Master</p> <ul style="list-style-type: none"> <li>• When "1" is output to the first byte's LSB (transfer direction specification bit)</li> </ul> <p>Slave</p> <ul style="list-style-type: none"> <li>• When a start condition is detected</li> </ul> <p>When not used for communication</p> |                                                                                                                                                          | <p>Master</p> <ul style="list-style-type: none"> <li>• When a start condition is generated</li> <li>• When "0" is output to the first byte's LSB (transfer direction specification bit)</li> </ul> <p>Slave</p> <ul style="list-style-type: none"> <li>• When "1" is input by the first byte's LSB (transfer direction specification bit)</li> </ul> |

| ACKDn                                                                                                                                                                                                                                                                                                 | $\overline{\text{ACK}}$ detection         |                                                                                                                                               |
|-------------------------------------------------------------------------------------------------------------------------------------------------------------------------------------------------------------------------------------------------------------------------------------------------------|-------------------------------------------|-----------------------------------------------------------------------------------------------------------------------------------------------|
| 0                                                                                                                                                                                                                                                                                                     | $\overline{\text{ACK}}$ was not detected. |                                                                                                                                               |
| 1                                                                                                                                                                                                                                                                                                     | ACK was detected.                         |                                                                                                                                               |
| Condition for clearing (ACKDn bit = 0)                                                                                                                                                                                                                                                                |                                           | Condition for setting (ACKD bit = 1)                                                                                                          |
| <ul style="list-style-type: none"> <li>• When a stop condition is detected</li> <li>• At the rising edge of the next byte's first clock</li> <li>• Cleared by LRELn bit = 1 (communication save)</li> <li>• When the IICEn bit changes from 1 to 0 (operation stop)</li> <li>• After reset</li> </ul> |                                           | <ul style="list-style-type: none"> <li>• After the SDA0n bit is set to low level at the rising edge of the SCL0n pin's ninth clock</li> </ul> |

**Note** The TRCn bit is cleared to 0 and SDA0n line becomes high impedance when the WRELn bit is set to 1 and the wait state is canceled to 0 at the ninth clock by TRCn bit = 1.

**Remark** n = 0, 1

| STDn                                                                                                                                                                                                                                                                                                                             | Start condition detection                                                                  |                                                                                        |
|----------------------------------------------------------------------------------------------------------------------------------------------------------------------------------------------------------------------------------------------------------------------------------------------------------------------------------|--------------------------------------------------------------------------------------------|----------------------------------------------------------------------------------------|
| 0                                                                                                                                                                                                                                                                                                                                | Start condition was not detected.                                                          |                                                                                        |
| 1                                                                                                                                                                                                                                                                                                                                | Start condition was detected. This indicates that the address transfer period is in effect |                                                                                        |
| Condition for clearing (STDn bit = 0)                                                                                                                                                                                                                                                                                            |                                                                                            | Condition for setting (STDn bit = 1)                                                   |
| <ul style="list-style-type: none"> <li>• When a stop condition is detected</li> <li>• At the rising edge of the next byte's first clock following address transfer</li> <li>• Cleared by LRELn bit = 1 (communication save)</li> <li>• When the IICEn bit changes from 1 to 0 (operation stop)</li> <li>• After reset</li> </ul> |                                                                                            | <ul style="list-style-type: none"> <li>• When a start condition is detected</li> </ul> |

| SPDn                                                                                                                                                                                                                                                                         | Stop condition detection                                                                              |                                                                                       |
|------------------------------------------------------------------------------------------------------------------------------------------------------------------------------------------------------------------------------------------------------------------------------|-------------------------------------------------------------------------------------------------------|---------------------------------------------------------------------------------------|
| 0                                                                                                                                                                                                                                                                            | Stop condition was not detected.                                                                      |                                                                                       |
| 1                                                                                                                                                                                                                                                                            | Stop condition was detected. The master device's communication is terminated and the bus is released. |                                                                                       |
| Condition for clearing (SPDn bit = 0)                                                                                                                                                                                                                                        |                                                                                                       | Condition for setting (SPDn bit = 1)                                                  |
| <ul style="list-style-type: none"> <li>• At the rising edge of the address transfer byte's first clock following setting of this bit and detection of a start condition</li> <li>• When the IICEn bit changes from 1 to 0 (operation stop)</li> <li>• After reset</li> </ul> |                                                                                                       | <ul style="list-style-type: none"> <li>• When a stop condition is detected</li> </ul> |

**Remark** n = 0, 1

**(3) IIC flag registers 0, 1 (IICF0, IICF1)**

The IICFn register sets the I<sup>2</sup>C0n operation mode and indicates the I<sup>2</sup>C bus status.

This register can be read or written in 8-bit or 1-bit units. However, the STCFn and IICBSYn bits are read-only.

IICRSVn enables/disables the communication reservation function (see **15.14 Communication Reservation**).

The initial value of the IICBSYn bit is set by using the STCENn bit (see **15.15 Cautions**).

The IICRSVn and STCENn bits can be written only when operation of I<sup>2</sup>C0n is disabled (IICn.IICEn bit = 0).

After operation is enabled, IICFn can be read (n = 0, 1).

Reset sets this register to 00H.



After reset: 00H R/W<sup>Note</sup> Address: IICF0 FFFFFFFD8AH, IICF1 FFFFFFFD9AH

|       |       |         |   |   |   |   |        |         |
|-------|-------|---------|---|---|---|---|--------|---------|
|       | <7>   | <6>     | 5 | 4 | 3 | 2 | <1>    | <0>     |
| IICFn | STCFn | IICBSYn | 0 | 0 | 0 | 0 | STCENn | IICRSVn |

(n = 0, 1)

|                                                                                                                                                                                      |                                                    |
|--------------------------------------------------------------------------------------------------------------------------------------------------------------------------------------|----------------------------------------------------|
| STCFn                                                                                                                                                                                | STTn bit clear                                     |
| 0                                                                                                                                                                                    | Start condition issued                             |
| 1                                                                                                                                                                                    | Start condition cannot be issued, STTn bit cleared |
| Condition for clearing (STCFn bit = 0)                                                                                                                                               |                                                    |
| <ul style="list-style-type: none"> <li>• Cleared by IICn.STTn bit = 1</li> <li>• When the IICn.IICEn bit = 0</li> <li>• After reset</li> </ul>                                       |                                                    |
| Condition for setting (STCFn bit = 1)                                                                                                                                                |                                                    |
| <ul style="list-style-type: none"> <li>• When start condition is not issued and STTn flag is cleared to 0 during communication reservation is disabled (IICRSVn bit = 1).</li> </ul> |                                                    |

|                                                                                                                                                  |                                                                             |
|--------------------------------------------------------------------------------------------------------------------------------------------------|-----------------------------------------------------------------------------|
| IICBSYn                                                                                                                                          | I <sup>2</sup> C0n bus status                                               |
| 0                                                                                                                                                | Bus released status (default communication status when STCENn bit = 1)      |
| 1                                                                                                                                                | Bus communication status (default communication status when STCENn bit = 0) |
| Condition for clearing (IICBSYn bit = 0)                                                                                                         |                                                                             |
| <ul style="list-style-type: none"> <li>• When stop condition is detected</li> <li>• When the IICEn bit = 0</li> <li>• After reset</li> </ul>     |                                                                             |
| Condition for setting (IICBSYn bit = 1)                                                                                                          |                                                                             |
| <ul style="list-style-type: none"> <li>• When start condition is detected</li> <li>• By setting the IICEn bit when the STCENn bit = 0</li> </ul> |                                                                             |

|                                                                                                             |                                                                                                                        |
|-------------------------------------------------------------------------------------------------------------|------------------------------------------------------------------------------------------------------------------------|
| STCENn                                                                                                      | Initial start enable trigger                                                                                           |
| 0                                                                                                           | Start conditions cannot be generated until a stop condition is detected following operation enable (IICEn bit = 1).    |
| 1                                                                                                           | Start conditions can be generated even if a stop condition is not detected following operation enable (IICEn bit = 1). |
| Condition for clearing (STCENn bit = 0)                                                                     |                                                                                                                        |
| <ul style="list-style-type: none"> <li>• When start condition is detected</li> <li>• After reset</li> </ul> |                                                                                                                        |
| Condition for setting (STCENn bit = 1)                                                                      |                                                                                                                        |
| <ul style="list-style-type: none"> <li>• Setting by instruction</li> </ul>                                  |                                                                                                                        |

|                                                                                                    |                                                |
|----------------------------------------------------------------------------------------------------|------------------------------------------------|
| IICRSVn                                                                                            | Communication reservation function disable bit |
| 0                                                                                                  | Communication reservation enabled              |
| 1                                                                                                  | Communication reservation disabled             |
| Condition for clearing (IICRSVn bit = 0)                                                           |                                                |
| <ul style="list-style-type: none"> <li>• Clearing by instruction</li> <li>• After reset</li> </ul> |                                                |
| Condition for setting (IICRSVn bit = 1)                                                            |                                                |
| <ul style="list-style-type: none"> <li>• Setting by instruction</li> </ul>                         |                                                |

**Note** Bits 6 and 7 are read-only bits.

- Cautions**
1. Write the STCENn bit only when operation is stopped (IICEn bit = 0).
  2. When the STCENn bit = 1, the bus released status (IICBSYn bit = 0) is recognized regardless of the actual bus status immediately after the I<sup>2</sup>Cn bus operation is enabled. Therefore, to issue the first start condition (STTn bit = 1), it is necessary to confirm that the bus has been released, so as to not disturb other communications.
  3. Write the IICRSVn bit only when operation is stopped (IICEn bit = 0).

**(4) IIC clock select registers 0, 1 (IICCL0, IICCL1)**

The IICCLn register sets the transfer clock for I<sup>2</sup>C0n.

This register can be read or written in 8-bit or 1-bit units. However, the CLDn and DADn bits are read-only.

Set the IICCLn register when the IICCN.IICEn bit = 0.

The SMCn, CLn1, and CLn0 bits are set by the combination of the IICXn.CLXn bit and the OCKSTHn, OCKSn1, and OCKSn0 bits of the OCKSn register (see **15.4 (6) I<sup>2</sup>C0n transfer clock setting method**) (n = 0, 1).

Reset sets this register to 00H.

|                  |                     |                                                 |      |      |      |      |      |      |
|------------------|---------------------|-------------------------------------------------|------|------|------|------|------|------|
| After reset: 00H | R/W <sup>Note</sup> | Address: IICCL0 FFFFFFFD84H, IICCL1 FFFFFFFD94H |      |      |      |      |      |      |
|                  | 7                   | 6                                               | <5>  | <4>  | 3    | 2    | 1    | 0    |
| IICCLn           | 0                   | 0                                               | CLDn | DADn | SMCn | DFCn | CLn1 | CLn0 |

(n = 0, 1)

|                                                                                                                                                                  |                                                                    |
|------------------------------------------------------------------------------------------------------------------------------------------------------------------|--------------------------------------------------------------------|
| CLDn                                                                                                                                                             | Detection of SCL0n pin level (valid only when IICCN.IICEn bit = 1) |
| 0                                                                                                                                                                | The SCL0n pin was detected at low level.                           |
| 1                                                                                                                                                                | The SCL0n pin was detected at high level.                          |
| Condition for clearing (CLDn bit = 0)                                                                                                                            |                                                                    |
| <ul style="list-style-type: none"> <li>• When the SCL0n pin is at low level</li> <li>• When the IICEn bit = 0 (operation stop)</li> <li>• After reset</li> </ul> |                                                                    |
| Condition for setting (CLDn bit = 1)                                                                                                                             |                                                                    |
| <ul style="list-style-type: none"> <li>• When the SCL0n pin is at high level</li> </ul>                                                                          |                                                                    |

|                                                                                                                                                                  |                                                              |
|------------------------------------------------------------------------------------------------------------------------------------------------------------------|--------------------------------------------------------------|
| DADn                                                                                                                                                             | Detection of SDA0n pin level (valid only when IICEn bit = 1) |
| 0                                                                                                                                                                | The SDA0n pin was detected at low level.                     |
| 1                                                                                                                                                                | The SDA0n pin was detected at high level.                    |
| Condition for clearing (DADn bit = 0)                                                                                                                            |                                                              |
| <ul style="list-style-type: none"> <li>• When the SDA0n pin is at low level</li> <li>• When the IICEn bit = 0 (operation stop)</li> <li>• After reset</li> </ul> |                                                              |
| Condition for setting (DADn bit = 1)                                                                                                                             |                                                              |
| <ul style="list-style-type: none"> <li>• When the SDA0n pin is at high level</li> </ul>                                                                          |                                                              |

|      |                               |
|------|-------------------------------|
| SMCn | Operation mode switching      |
| 0    | Operation in standard mode.   |
| 1    | Operation in high-speed mode. |

|                                                                                                                                                                                                                                                                              |                                  |
|------------------------------------------------------------------------------------------------------------------------------------------------------------------------------------------------------------------------------------------------------------------------------|----------------------------------|
| DFCn                                                                                                                                                                                                                                                                         | Digital filter operation control |
| 0                                                                                                                                                                                                                                                                            | Digital filter off.              |
| 1                                                                                                                                                                                                                                                                            | Digital filter on.               |
| <p>The digital filter can be used only in high-speed mode.<br/>                 In high-speed mode, the transfer clock does not vary regardless of the DFCn bit setting (on/off).<br/>                 The digital filter is used to eliminate noise in high-speed mode.</p> |                                  |

**Note** Bits 4 and 5 are read-only bits.

**Caution** Be sure to clear bits 7 and 6 to “0”.

**Remark** When the IICCN.IICEn bit = 0, 0 is read when reading the CLDn and DADn bits.

**(5) IIC function expansion registers 0, 1 (IICX0, IICX1)**

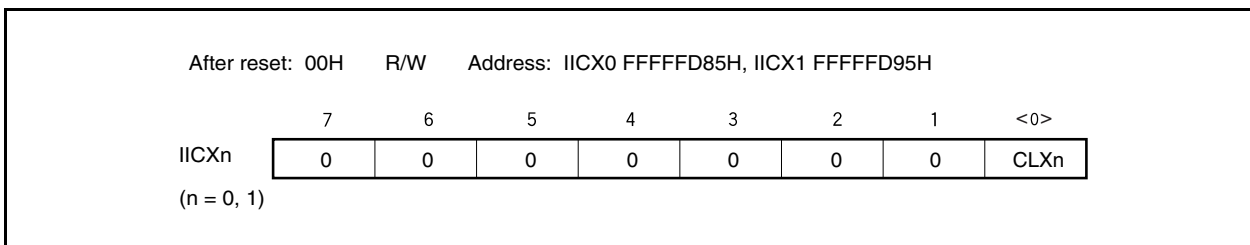
The IICXn register sets I<sup>2</sup>C0n function expansion (valid only in the high-speed mode).

This register can be read or written in 8-bit or 1-bit units.

Setting of the CLXn bit is performed in combination with the SMCn, CLn1, and CLn0 bits of the IICCLn register and the OCKSTHn, OCKSn1, and OCKSn0 bits of the OCKSn register (see **15.4 (6) I<sup>2</sup>C0n transfer clock setting method**) (n = 0, 1).

Set the IICXn register when the IICn.IICEn bit = 0.

Reset sets this register to 00H.



**(6) I<sup>2</sup>C0n transfer clock setting method**

The I<sup>2</sup>C0n transfer clock frequency (f<sub>SCL</sub>) is calculated using the following expression (n = 0, 1).

$$f_{SCL} = 1/(m \times T + t_R + t_F)$$

m = 12, 18, 24, 36, 44, 48, 54, 60, 66, 72, 86, 88, 96, 132, 172, 176, 198, 220, 258, 344 (see **Table 15-2 Clock Settings**).

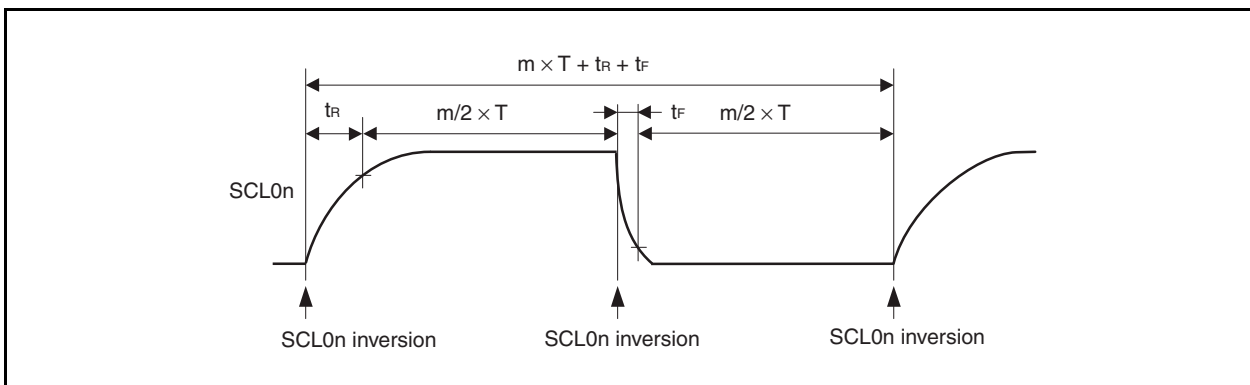
T: 1/f<sub>XX</sub>

t<sub>R</sub>: SCL0n pin rise time

t<sub>F</sub>: SCL0n pin fall time

For example, the I<sup>2</sup>C0n transfer clock frequency (f<sub>SCL</sub>) when f<sub>XX</sub> = 19.2 MHz, m = 198, t<sub>R</sub> = 200 ns, and t<sub>F</sub> = 50 ns is calculated using following expression.

$$f_{SCL} = 1/(198 \times 52 \text{ ns} + 200 \text{ ns} + 50 \text{ ns}) \cong 94.7 \text{ kHz}$$



The clock to be selected can be set by the combination of the SMCn, CLn1, and CLn0 bits of the IICCLn register, the CLXn bit of the IICXn register, and the OCKSTHn, OCKSn1, and OCKSn0 bits of the OCKSn register (n = 0, 1).

Table 15-2. Clock Settings

| IICXn            | IICCLn |       |       | Selection Clock                           | Transfer Clock       | Settable Main Clock Frequency (f <sub>xx</sub> ) Range | Operating Mode                    |
|------------------|--------|-------|-------|-------------------------------------------|----------------------|--------------------------------------------------------|-----------------------------------|
|                  | Bit 0  | Bit 3 | Bit 1 |                                           |                      |                                                        |                                   |
| CLXn             | SMCn   | CLn1  | CLn0  |                                           |                      |                                                        |                                   |
| 0                | 0      | 0     | 0     | f <sub>xx</sub> (when OCKSn = 18H set)    | f <sub>xx</sub> /44  | 2.00 MHz ≤ f <sub>xx</sub> ≤ 4.19 MHz                  | Standard mode<br>(SMCn bit = 0)   |
|                  |        |       |       | f <sub>xx</sub> /2 (when OCKSn = 10H set) | f <sub>xx</sub> /88  | 4.00 MHz ≤ f <sub>xx</sub> ≤ 8.38 MHz                  |                                   |
|                  |        |       |       | f <sub>xx</sub> /3 (when OCKSn = 11H set) | f <sub>xx</sub> /132 | 6.00 MHz ≤ f <sub>xx</sub> ≤ 12.57 MHz                 |                                   |
|                  |        |       |       | f <sub>xx</sub> /4 (when OCKSn = 12H set) | f <sub>xx</sub> /176 | 8.00 MHz ≤ f <sub>xx</sub> ≤ 16.76 MHz                 |                                   |
|                  |        |       |       | f <sub>xx</sub> /5 (when OCKSn = 13H set) | f <sub>xx</sub> /220 | 10.00 MHz ≤ f <sub>xx</sub> ≤ 20.00 MHz                |                                   |
| 0                | 0      | 0     | 1     | f <sub>xx</sub> (when OCKSn = 18H set)    | f <sub>xx</sub> /86  | 4.19 MHz ≤ f <sub>xx</sub> ≤ 8.38 MHz                  |                                   |
|                  |        |       |       | f <sub>xx</sub> /2 (when OCKSn = 10H set) | f <sub>xx</sub> /172 | 8.38 MHz ≤ f <sub>xx</sub> ≤ 16.76 MHz                 |                                   |
|                  |        |       |       | f <sub>xx</sub> /3 (when OCKSn = 11H set) | f <sub>xx</sub> /258 | 12.57 MHz ≤ f <sub>xx</sub> ≤ 20.00 MHz                |                                   |
|                  |        |       |       | f <sub>xx</sub> /4 (when OCKSn = 12H set) | f <sub>xx</sub> /344 | 16.76 MHz ≤ f <sub>xx</sub> ≤ 20.00 MHz                |                                   |
| 0                | 0      | 1     | 0     | f <sub>xx</sub> <sup>Note</sup>           | f <sub>xx</sub> /86  | 4.19 MHz ≤ f <sub>xx</sub> ≤ 8.38 MHz                  |                                   |
| 0                | 0      | 1     | 1     | f <sub>xx</sub> (when OCKSn = 18H set)    | f <sub>xx</sub> /66  | 6.40 MHz                                               |                                   |
|                  |        |       |       | f <sub>xx</sub> /2 (when OCKSn = 10H set) | f <sub>xx</sub> /132 | 12.80 MHz                                              |                                   |
|                  |        |       |       | f <sub>xx</sub> /3 (when OCKSn = 11H set) | f <sub>xx</sub> /198 | 19.20 MHz                                              |                                   |
| 0                | 1      | 0     | ×     | f <sub>xx</sub> (when OCKSn = 18H set)    | f <sub>xx</sub> /24  | 4.19 MHz ≤ f <sub>xx</sub> ≤ 8.38 MHz                  | High-speed mode<br>(SMCn bit = 1) |
|                  |        |       |       | f <sub>xx</sub> /2 (when OCKSn = 10H set) | f <sub>xx</sub> /48  | 8.00 MHz ≤ f <sub>xx</sub> ≤ 16.76 MHz                 |                                   |
|                  |        |       |       | f <sub>xx</sub> /3 (when OCKSn = 11H set) | f <sub>xx</sub> /72  | 12.00 MHz ≤ f <sub>xx</sub> ≤ 20.00 MHz                |                                   |
|                  |        |       |       | f <sub>xx</sub> /4 (when OCKSn = 12H set) | f <sub>xx</sub> /96  | 16.00 MHz ≤ f <sub>xx</sub> ≤ 20.00 MHz                |                                   |
| 0                | 1      | 1     | 0     | f <sub>xx</sub> <sup>Note</sup>           | f <sub>xx</sub> /24  | 4.00 MHz ≤ f <sub>xx</sub> ≤ 8.38 MHz                  |                                   |
| 0                | 1      | 1     | 1     | f <sub>xx</sub> (when OCKSn = 18H set)    | f <sub>xx</sub> /18  | 6.40 MHz                                               |                                   |
|                  |        |       |       | f <sub>xx</sub> /2 (when OCKSn = 10H set) | f <sub>xx</sub> /36  | 12.80 MHz                                              |                                   |
|                  |        |       |       | f <sub>xx</sub> /3 (when OCKSn = 11H set) | f <sub>xx</sub> /54  | 19.20 MHz                                              |                                   |
| 1                | 1      | 0     | ×     | f <sub>xx</sub> (when OCKSn = 18H set)    | f <sub>xx</sub> /12  | 4.00 MHz ≤ f <sub>xx</sub> ≤ 4.19 MHz                  |                                   |
|                  |        |       |       | f <sub>xx</sub> /2 (when OCKSn = 10H set) | f <sub>xx</sub> /24  | 8.00 MHz ≤ f <sub>xx</sub> ≤ 8.38 MHz                  |                                   |
|                  |        |       |       | f <sub>xx</sub> /3 (when OCKSn = 11H set) | f <sub>xx</sub> /36  | 12.00 MHz ≤ f <sub>xx</sub> ≤ 12.57 MHz                |                                   |
|                  |        |       |       | f <sub>xx</sub> /4 (when OCKSn = 12H set) | f <sub>xx</sub> /48  | 16.00 MHz ≤ f <sub>xx</sub> ≤ 16.67 MHz                |                                   |
|                  |        |       |       | f <sub>xx</sub> /5 (when OCKSn = 13H set) | f <sub>xx</sub> /60  | 20.00 MHz                                              |                                   |
| 1                | 1      | 1     | 0     | f <sub>xx</sub> <sup>Note</sup>           | f <sub>xx</sub> /12  | 4.00 MHz ≤ f <sub>xx</sub> ≤ 4.19 MHz                  |                                   |
| Other than above |        |       |       | Setting prohibited                        | –                    | –                                                      | –                                 |

**Note** Since the selection clock is f<sub>xx</sub> regardless of the value set to the OCKSn register, clear the OCKSn register to 00H (I<sup>2</sup>C division clock stopped status).

- Remarks**
1. n = 0, 1
  2. ×: don't care

**(7) IIC division clock select registers 0, 1 (OCKS0, OCKS1)**

The OCKSn register controls the I<sup>2</sup>C0n division clock (n = 0, 1).

This register controls the I<sup>2</sup>C00 division clock via the OCKS0 register and the I<sup>2</sup>C01 division clock via the OCKS1 register.

This register can be read or written in 8-bit units.

Reset sets this register to 00H.

After reset: 00H    R/W    Address: OCKS0 FFFFF340H, OCKS1 FFFFF344H

|       |   |   |   |         |         |   |        |        |
|-------|---|---|---|---------|---------|---|--------|--------|
|       | 7 | 6 | 5 | 4       | 3       | 2 | 1      | 0      |
| OCKSn | 0 | 0 | 0 | OCKSENn | OCKSTHn | 0 | OCKSn1 | OCKSn0 |

(n = 0, 1)

|         |                                                      |
|---------|------------------------------------------------------|
| OCKSENn | Operation setting of I <sup>2</sup> C division clock |
| 0       | Disable I <sup>2</sup> C division clock operation    |
| 1       | Enable I <sup>2</sup> C division clock operation     |

|                  |        |        |                                              |
|------------------|--------|--------|----------------------------------------------|
| OCKSTHn          | OCKSn1 | OCKSn0 | Selection of I <sup>2</sup> C division clock |
| 0                | 0      | 0      | f <sub>xx</sub> /2                           |
| 0                | 0      | 1      | f <sub>xx</sub> /3                           |
| 0                | 1      | 0      | f <sub>xx</sub> /4                           |
| 0                | 1      | 1      | f <sub>xx</sub> /5                           |
| 1                | 0      | 0      | f <sub>xx</sub>                              |
| Other than above |        |        | Setting prohibited                           |

**(8) IIC shift registers 0, 1 (IIC0, IIC1)**

The IICn register is used for serial transmission/reception (shift operations) synchronized with the serial clock. This register can be read or written in 8-bit units, but data should not be written to the IICn register during a data transfer.

Access (read/write) the IICn register only during the wait period. Accessing this register in communication states other than the wait period is prohibited. However, for the master device, the IICn register can be written once only after the transmission trigger bit (IICn.STTn bit) has been set to 1.

A wait state is released by writing the IICn register during the wait period, and data transfer is started (n = 0, 1).

Reset sets this register to 00H.

After reset: 00H    R/W    Address: IIC0 FFFFFD80H, IIC1 FFFFFD90H

|      |   |   |   |   |   |   |   |   |
|------|---|---|---|---|---|---|---|---|
|      | 7 | 6 | 5 | 4 | 3 | 2 | 1 | 0 |
| IICn |   |   |   |   |   |   |   |   |

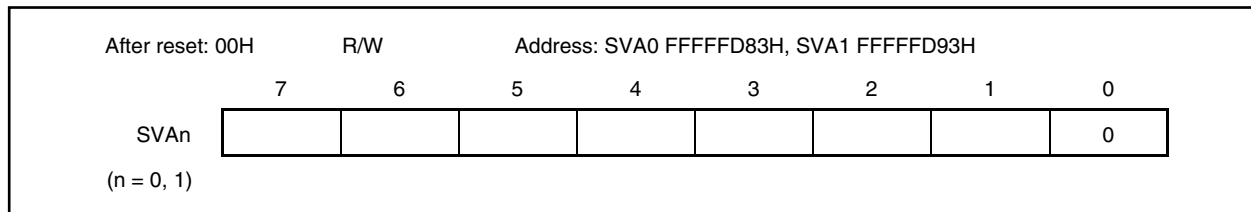
(n = 0, 1)

**(9) Slave address registers 0, 1 (SVA0, SVA1)**

The SVAn register holds the I<sup>2</sup>C bus's slave address.

This register can be read or written in 8-bit units, but bit 0 should be fixed to 0. However, rewriting this register is prohibited when the IICSn.STDn bit = 1 (start condition detection).

Reset sets this register to 00H.



## 15.5 I<sup>2</sup>C Bus Mode Functions

### 15.5.1 Pin configuration

The serial clock pin (SCL0n) and serial data bus pin (SDA0n) are configured as follows (n = 0, 1).

SCL0n ..... This pin is used for serial clock input and output.

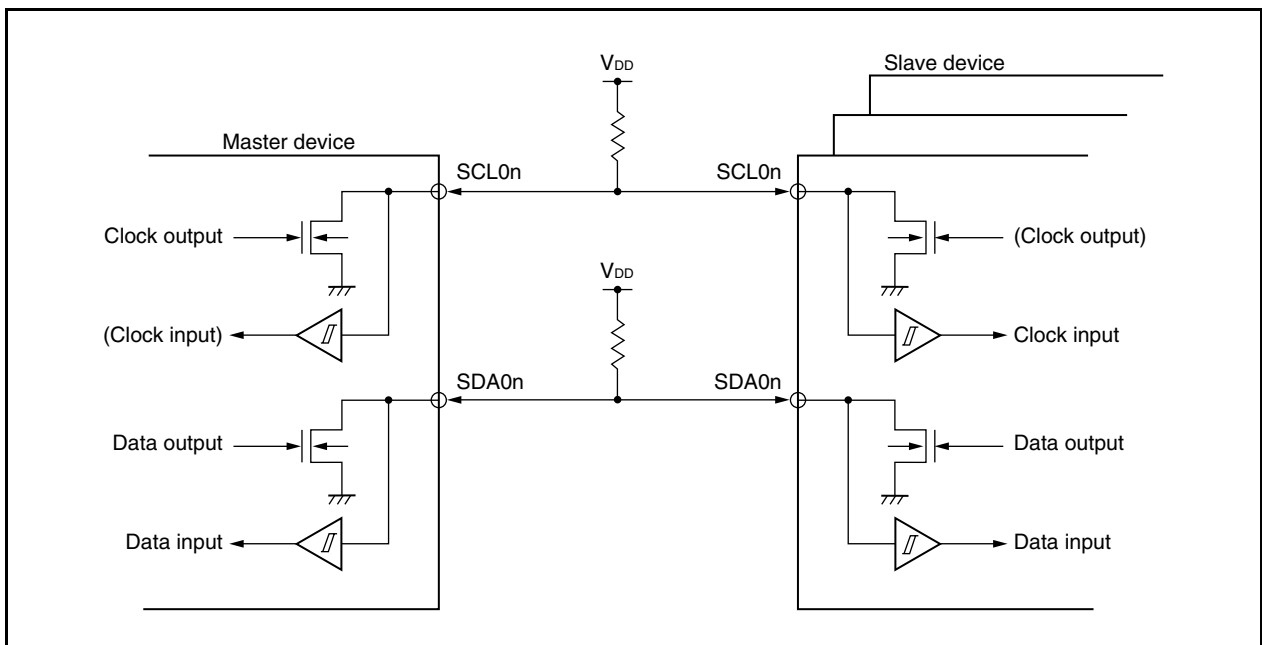
This pin is an N-ch open-drain output for both master and slave devices. Input is Schmitt input.

SDA0n ..... This pin is used for serial data input and output.

This pin is an N-ch open-drain output for both master and slave devices. Input is Schmitt input.

Since outputs from the serial clock line and the serial data bus line are N-ch open-drain outputs, an external pull-up resistor is required.

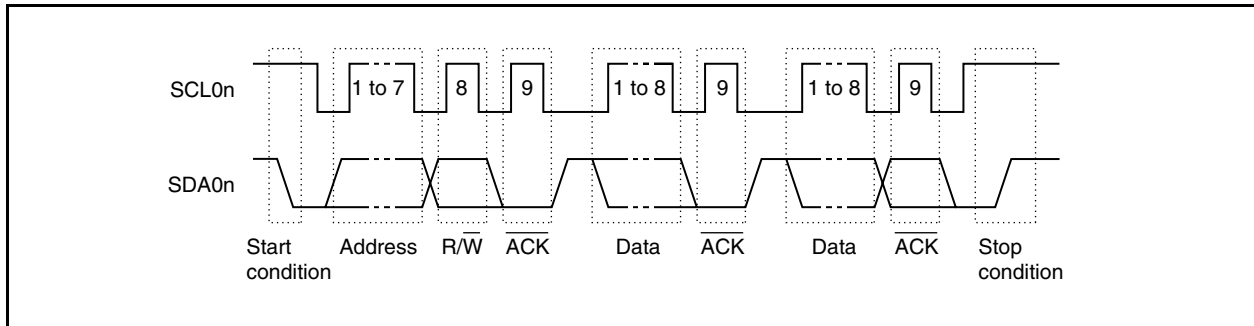
**Figure 15-4. Pin Configuration Diagram**



## 15.6 I<sup>2</sup>C Bus Definitions and Control Methods

The following section describes the I<sup>2</sup>C bus's serial data communication format and the signals used by the I<sup>2</sup>C bus. The transfer timing for the "start condition", "address", "transfer direction specification", "data", and "stop condition" generated on the I<sup>2</sup>C bus's serial data bus is shown below.

Figure 15-5 I<sup>2</sup>C Bus Serial Data Transfer Timing



The master device generates the start condition, slave address, and stop condition.

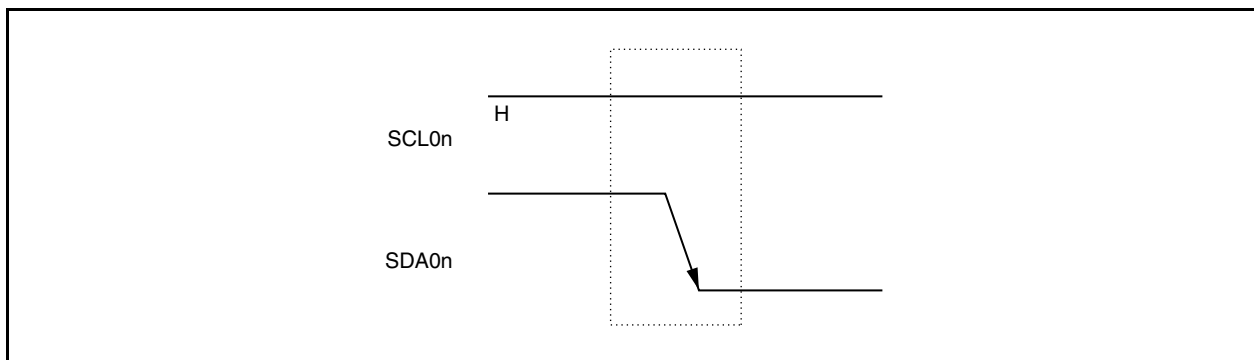
ACK can be generated by either the master or slave device (normally, it is generated by the device that receives 8-bit data).

The serial clock (SCL0n) is continuously output by the master device. However, in the slave device, the SCL0n pin's low-level period can be extended and a wait state can be inserted ( $n = 0, 1$ ).

### 15.6.1 Start condition

A start condition is met when the SCL0n pin is high level and the SDA0n pin changes from high level to low level. The start condition for the SCL0n and SDA0n pins is generated that the master device to the slave device when starting a serial transfer. The slave device can detect the start condition ( $n = 0, 1$ ).

Figure 15-6. Start Condition



A start condition is generated when the IICn.STTn bit is set (1) after a stop condition has been detected (IICn.SPn bit = 1). When a start condition is detected, the IICn.STDn bit is set (1) ( $n = 0, 1$ ).

**Caution** When the IICn.IICEn bit of the V850ES/SG1 is set to 1 while communications with other devices are in progress, the start condition may be detected depending on the status of the communication line. Be sure to set the IICn.IICEn bit to 1 when the SCL0n and SDA0n lines are high level.



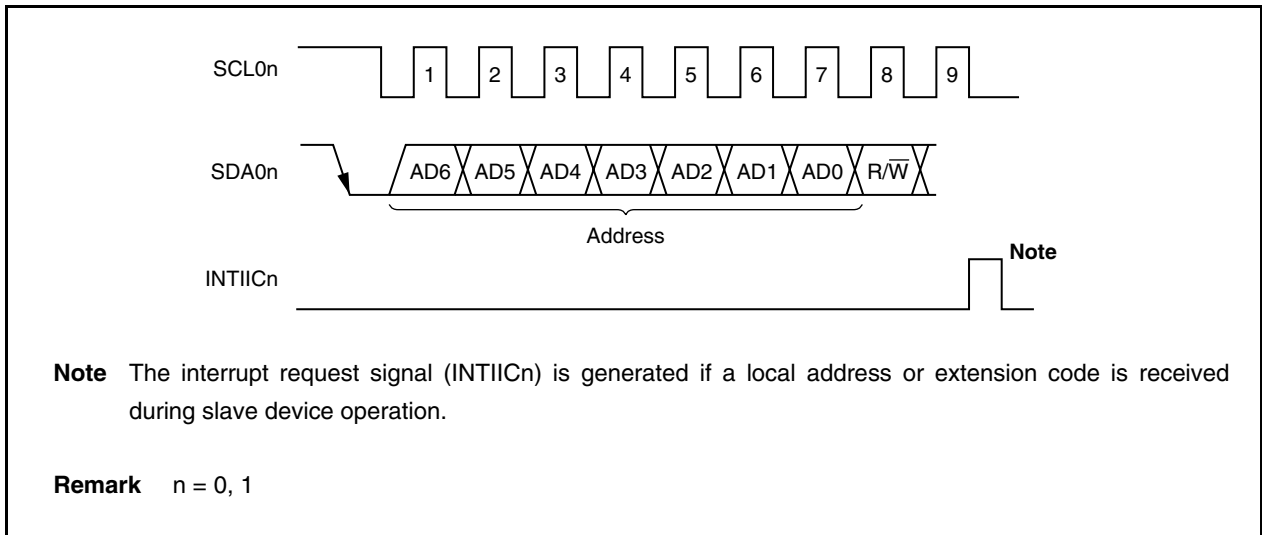
### 15.6.2 Addresses

The 7 bits of data that follow the start condition are defined as an address.

An address is a 7-bit data segment that is output in order to select one of the slave devices that are connected to the master device via the bus lines. Therefore, each slave device connected via the bus lines must have a unique address.

The slave devices include hardware that detects the start condition and checks whether or not the 7-bit address data matches the data values stored in the SVAn register. If the address data matches the values of the SVAn register, the slave device is selected and communicates with the master device until the master device generates a start condition or stop condition ( $n = 0, 1$ ).

**Figure 15-7. Address**



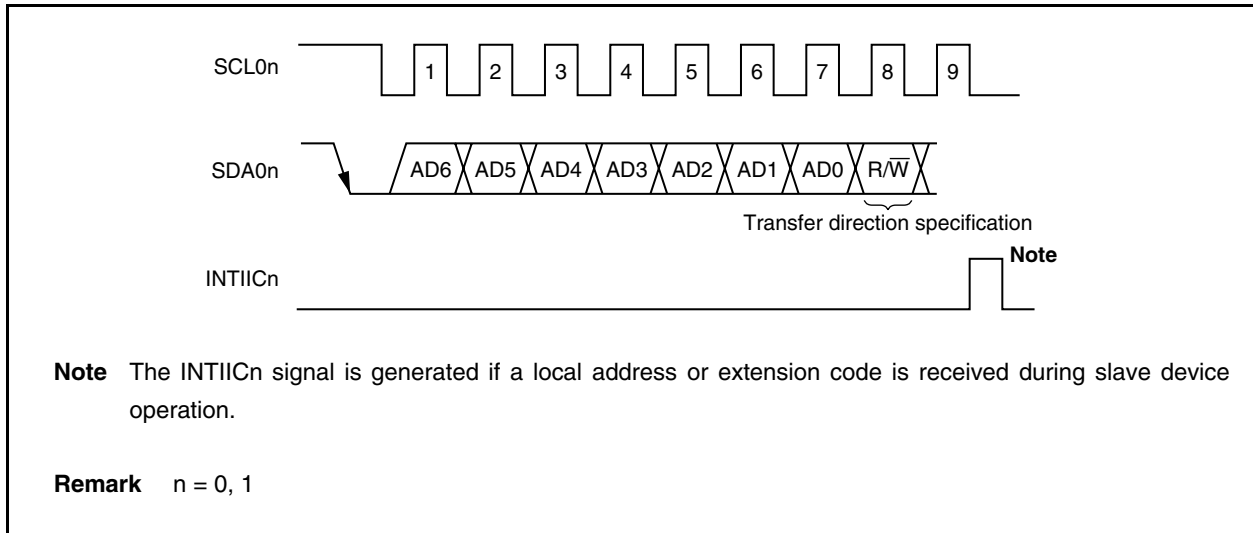
The slave address and the eighth bit, which specifies the transfer direction as described in **15.6.3 Transfer direction specification** below, are written together to IIC shift register  $n$  (IICn) and then output. Received addresses are written to the IICn register ( $n = 0, 1$ ).

The slave address is assigned to the higher 7 bits of the IICn register.

### 15.6.3 Transfer direction specification

In addition to the 7-bit address data, the master device sends 1 bit that specifies the transfer direction. When this transfer direction specification bit has a value of 0, it indicates that the master device is transmitting data to a slave device. When the transfer direction specification bit has a value of 1, it indicates that the master device is receiving data from a slave device.

**Figure 15-8. Transfer Direction Specification**



**15.6.4  $\overline{\text{ACK}}$**

$\overline{\text{ACK}}$  is used to confirm the serial data status of the transmitting and receiving devices.

The receiving device returns  $\overline{\text{ACK}}$  for every 8 bits of data it receives.

The transmitting device normally receives  $\overline{\text{ACK}}$  after transmitting 8 bits of data. When  $\overline{\text{ACK}}$  is returned from the receiving device, the reception is judged as normal and processing continues. The detection of  $\overline{\text{ACK}}$  is confirmed with the IICSn.ACKDn bit.

When the master device is the receiving device, after receiving the final data, it does not return  $\overline{\text{ACK}}$  and generates the stop condition. When the slave device is the receiving device and does not return  $\overline{\text{ACK}}$ , the master device generates either a stop condition or a restart condition, and then stops the current transmission. Failure to return  $\overline{\text{ACK}}$  may be caused by the following factors.

- (a) Reception was not performed normally.
- (b) The final data was received.
- (c) The receiving device (slave) does not exist for the specified address.

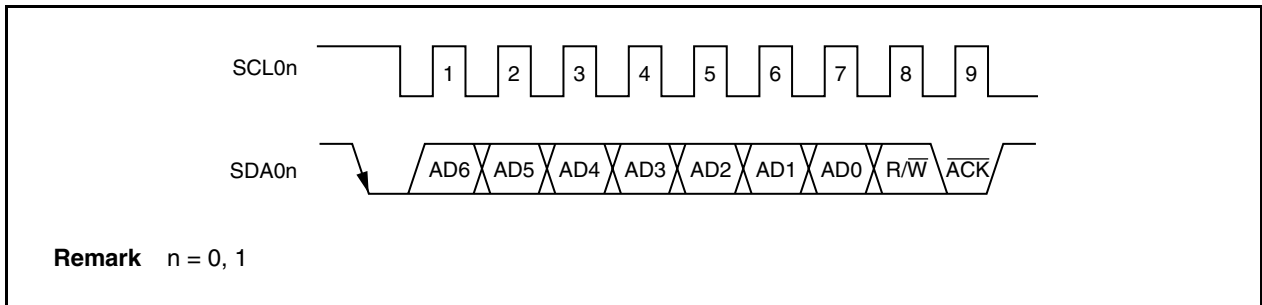
When the receiving device sets the SDA0n line to low level during the ninth clock,  $\overline{\text{ACK}}$  is generated (normal reception).

When the IICcn.ACKEn bit is set to 1, automatic  $\overline{\text{ACK}}$  generation is enabled. Transmission of the eighth bit following the 7 address data bits causes the IICsn.TRCn bit to be set. Normally, set the ACKEn bit to 1 for reception (TRCn bit = 0).

When the slave device is receiving (when TRCn bit = 0), if the slave device cannot receive data, clear the ACKEn bit to 0 to indicate to the master that no more data can be received.

Similarly, when the master device is receiving (when TRCn bit = 0) and the subsequent data is not needed, clear the ACKEn bit to 0 to prevent  $\overline{\text{ACK}}$  from being generated. This notifies the slave device (transmitting device) of the end of the data transmission (transmission stopped).

**Figure 15-9.  $\overline{\text{ACK}}$**



When the local address is received,  $\overline{\text{ACK}}$  is automatically generated regardless of the value of the ACKEn bit. No  $\overline{\text{ACK}}$  is generated if the received address is not a local address (NACK).

When receiving the extension code, set the ACKEn bit to 1 in advance to generate  $\overline{\text{ACK}}$ .

The  $\overline{\text{ACK}}$  generation method during data reception is based on the wait timing setting, as described by the following.

- When 8-clock wait is selected (IICcn.WTIMn bit = 0):  
 $\overline{\text{ACK}}$  is generated at the falling edge of the SCL0n pin's eighth clock if the ACKEn bit is set to 1 before the wait state cancellation.
- When 9-clock wait is selected (IICcn.WTIMn bit = 1):  
 $\overline{\text{ACK}}$  is generated if the ACKEn bit is set to 1 in advance.

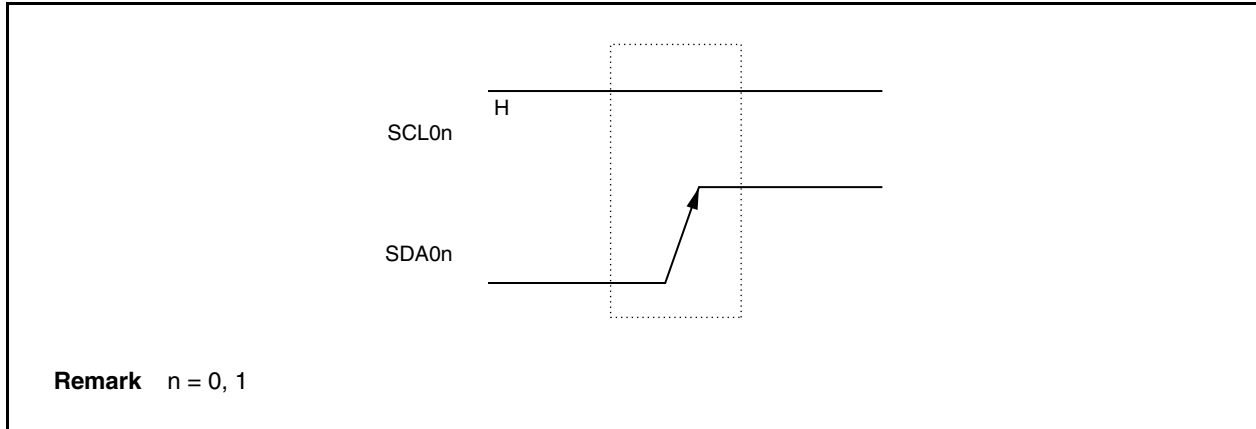
**Remark** n = 0, 1

### 15.6.5 Stop condition

When the SCL0n pin is high level, changing the SDA0n pin from low level to high level generates a stop condition (n = 0, 1).

A stop condition is generated when the master device outputs to the slave device when serial transfer has been completed. When used as the slave device, the start condition can be detected.

**Figure 15-10. Stop Condition**



A stop condition is generated when the IICn.SPTn bit is set to 1. When the stop condition is detected, the IICn.SPn bit is set to 1 and the interrupt request signal (INTIICn) is generated when the IICn.SPIEn bit is set to 1 (n = 0, 1).

15.6.6 Wait state

A wait state is used to notify the communication partner that a device (master or slave) is preparing to transmit or receive data (i.e., is in a wait state).

Setting the SCL0n pin to low level notifies the communication partner of the wait state. When the wait state has been canceled for both the master and slave devices, the next data transfer can begin (n = 0, 1).

Figure 15-11. Wait State (1/2)

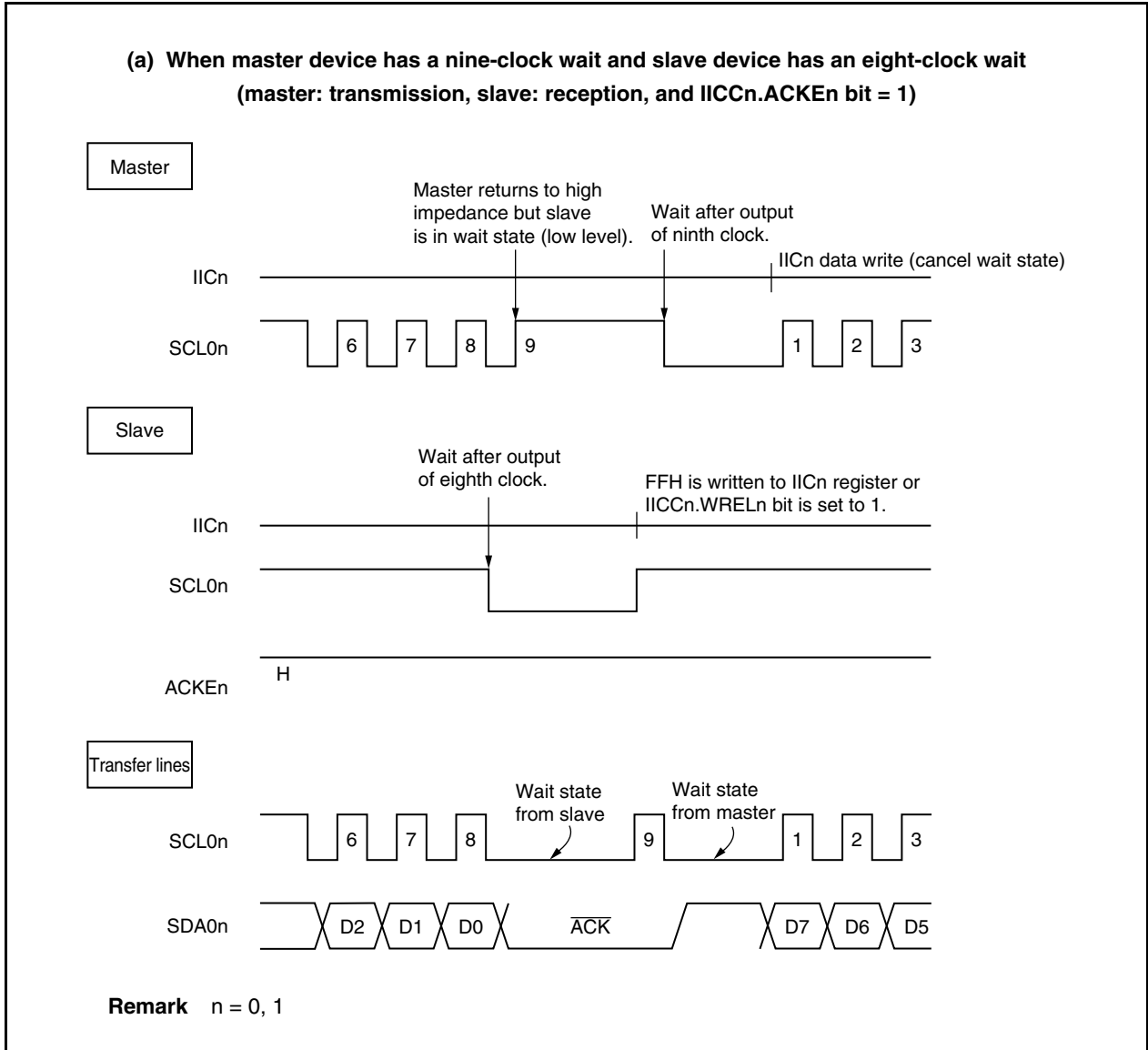
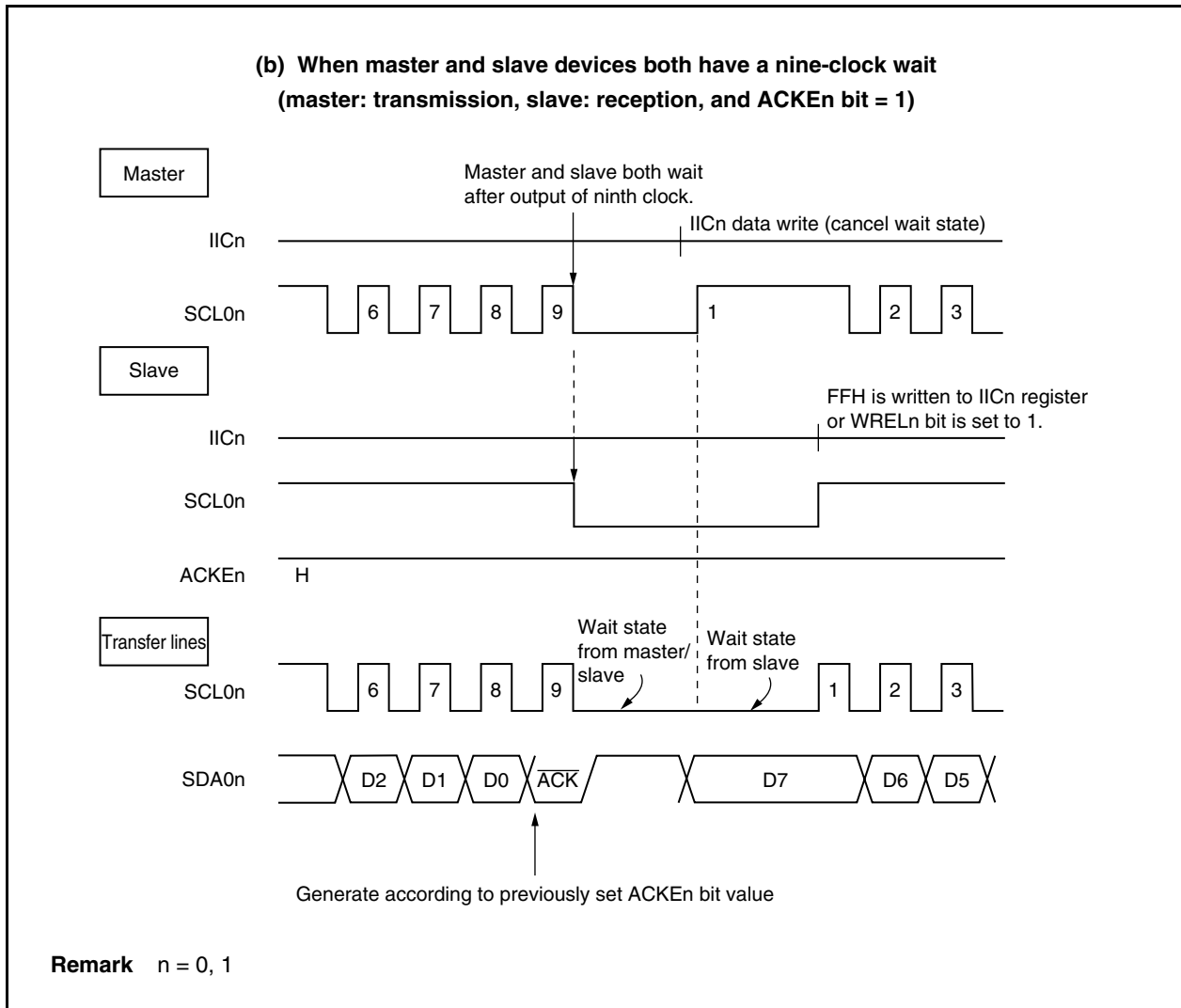


Figure 15-11. Wait State (2/2)



<R> A wait state is automatically generated after generation of the start condition. A wait state is also automatically generated depending on the setting of the IICn.WTIMn bit ( $n = 0, 1$ ).

Normally, when the IICn.WRELn bit is set to 1 or when FFH is written to the IICn register on the receiving side, the wait state is canceled and the transmitting side writes data to the IICn register to cancel the wait state.

The master device can also cancel the wait state via either of the following methods.

- By setting the IICn.STTn bit to 1
- By setting the IICn.SPTn bit to 1

### 15.6.7 Wait state cancellation method

In the case of I<sup>2</sup>C0n, wait state can be canceled normally in the following ways (n = 0, 1).

- By writing data to the IICn register
- By setting the IICn.WRELn bit to 1 (wait state cancellation)
- <R> • By setting the IICn.STTn bit to 1 (start condition generation)<sup>Note</sup>
- <R> • By setting the IICn.SPTn bit to 1 (stop condition generation)<sup>Note</sup>

<R> **Note** Master only

If any of these wait state cancellation actions is performed, I<sup>2</sup>C0n will cancel wait state and restart communication.

When canceling wait state and sending data (including address), write data to the IICn register.

To receive data after canceling wait state, or to complete data transmission, set the WRELn bit to 1.

To generate a restart condition after canceling wait state, set the STTn bit to 1.

To generate a stop condition after canceling wait state, set the SPTn bit to 1.

Execute cancellation only once for each wait state.

For example, if data is written to the IICn register following wait state cancellation by setting the WRELn bit to 1, conflict between the SDAn line change timing and IICn register write timing may result in the data output to the SDAn line may be incorrect.

Even in other operations, if communication is stopped halfway, clearing the IICn.IICEn bit to 0 will stop communication, enabling wait state to be cancelled.

If the I<sup>2</sup>C bus dead-locks due to noise, etc., setting the IICn.LRELn bit to 1 causes the communication operation to be exited, enabling wait state to be cancelled.

## 15.7 I<sup>2</sup>C Interrupt Request Signals (INTIICn)

The following shows the value of the IICSn register at the INTIICn interrupt request signal generation timing and at the INTIICn signal timing.

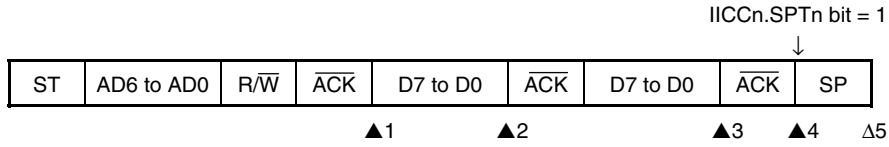
- Remarks**
1. ST: Start condition  
AD6 to AD0: Address  
 $\overline{R/\overline{W}}$ : Transfer direction specification  
 $\overline{ACK}$ : Acknowledge  
D7 to D0: Data  
SP: Stop condition
  2. n = 0, 1



15.7.1 Master device operation

(1) Start ~ Address ~ Data ~ Data ~ Stop (normal transmission/reception)

<1> When IICn.WTIMn bit = 0



- ▲1: IICSn register = 1000X110B
- ▲2: IICSn register = 1000X000B
- ▲3: IICSn register = 1000X000B (WTIMn bit = 1<sup>Note</sup>)
- ▲4: IICSn register = 1000XX00B
- Δ5: IICSn register = 00000001B

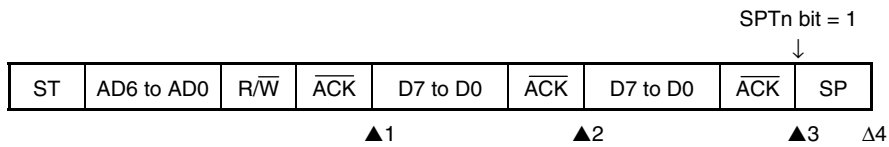
<R>

<R>

**Note** Set the WTIMn bit (1) and change the timing of generating the interrupt request signal (INTIICn) to generate the stop condition.

- Remarks 1.** ▲: Always generated  
 Δ: Generated only when SPIEn bit = 1  
 X: don't care  
 2. n = 0, 1

<2> When WTIMn bit = 1

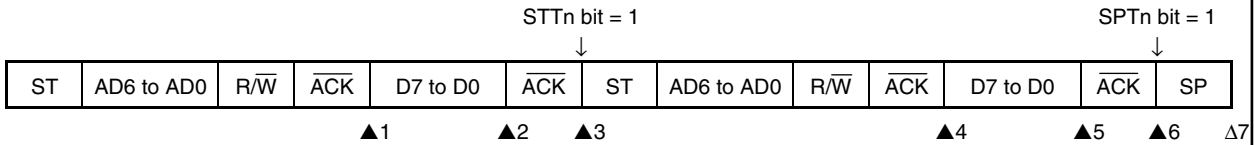


- ▲1: IICSn register = 1000X110B
- ▲2: IICSn register = 1000X100B
- ▲3: IICSn register = 1000XX00B
- Δ4: IICSn register = 00000001B

- Remarks 1.** ▲: Always generated  
 Δ: Generated only when SPIEn bit = 1  
 X: don't care  
 2. n = 0, 1

(2) Start ~ Address ~ Data ~ Start ~ Address ~ Data ~ Stop (restart)

<1> When WTIMn bit = 0



▲1: IICSn register = 1000X110B

<R> ▲2: IICSn register = 1000X000B (WTIMn bit = 1<sup>Note1</sup>)

<R> ▲3: IICSn register = 1000XX00B (WTIMn bit = 0<sup>Note2</sup>)

<R> ▲4: IICSn register = 1000X110B

<R> ▲5: IICSn register = 1000X000B (WTIMn bit = 1<sup>Note3</sup>)

▲6: IICSn register = 1000XX00B

Δ 7: IICSn register = 00000001B

<R> **Notes 1.** Set the WTIMn bit (1) and change the timing of generating the interrupt request signal (INTIICn) to generate the start condition.

<R> **2.** Clear the WTIMn bit (0) to restore the original setting.

<R> **3.** Set the WTIMn bit (1) and change the timing of generating the interrupt request signal (INTIICn) to generate the stop condition.

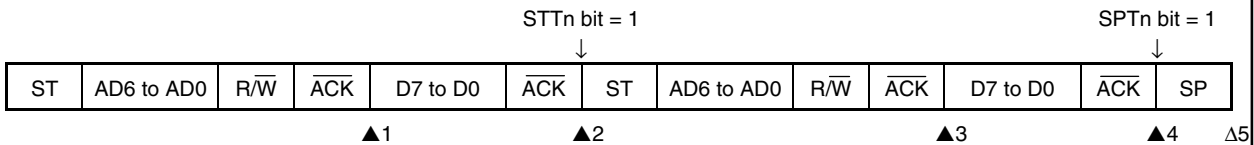
**Remarks 1.** ▲: Always generated

Δ: Generated only when SPIEn bit = 1

X: don't care

**2.** n = 0, 1

<2> When WTIMn bit = 1



▲1: IICSn register = 1000X110B

▲2: IICSn register = 1000XX00B

▲3: IICSn register = 1000X110B

▲4: IICSn register = 1000XX00B

Δ 5: IICSn register = 00000001B

**Remarks 1.** ▲: Always generated

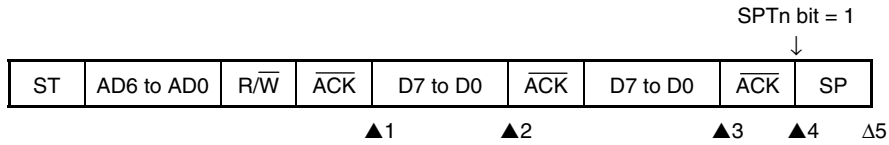
Δ: Generated only when SPIEn bit = 1

X: don't care

**2.** n = 0, 1

(3) Start ~ Code ~ Data ~ Data ~ Stop (extension code transmission)

<1> When WTIMn bit = 0



- ▲1: IICSn register = 1010X110B
- ▲2: IICSn register = 1010X000B
- ▲3: IICSn register = 1010X000B (WTIMn bit = 1<sup>Note</sup>)
- ▲4: IICSn register = 1010XX00B
- Δ5: IICSn register = 00000001B

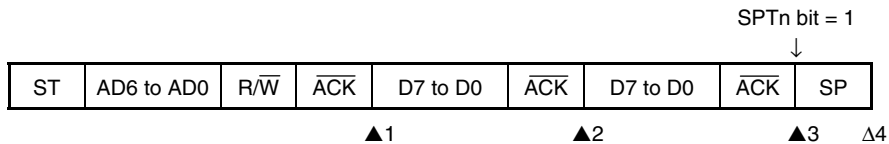
<R>

<R>

**Note** Set the WTIMn bit (1) and change the timing of generating the interrupt request signal (INTIICn) to generate the stop condition.

- Remarks 1.** ▲: Always generated  
 Δ: Generated only when SPIEn bit = 1  
 X: don't care
- 2.** n = 0, 1

<2> When WTIMn bit = 1



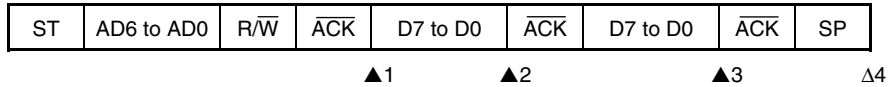
- ▲1: IICSn register = 1010X110B
- ▲2: IICSn register = 1010X100B
- ▲3: IICSn register = 1010XX00B
- Δ4: IICSn register = 00000001B

- Remarks 1.** ▲: Always generated  
 Δ: Generated only when SPIEn bit = 1  
 X: don't care
- 2.** n = 0, 1

## 15.7.2 Slave device operation (when receiving slave address (address match))

## (1) Start ~ Address ~ Data ~ Data ~ Stop

## &lt;1&gt; When IICn.WTIMn bit = 0



▲1: IICSn register = 0001X110B

▲2: IICSn register = 0001X000B

▲3: IICSn register = 0001X000B

Δ 4: IICSn register = 00000001B

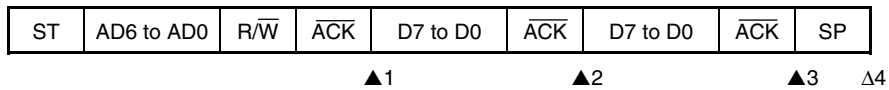
**Remarks 1.** ▲: Always generated

Δ: Generated only when IICn.SPIEn bit = 1

X: don't care

2. n = 0, 1

## &lt;2&gt; When WTIMn bit = 1



▲1: IICSn register = 0001X110B

▲2: IICSn register = 0001X100B

▲3: IICSn register = 0001XX00B

Δ 4: IICSn register = 00000001B

**Remarks 1.** ▲: Always generated

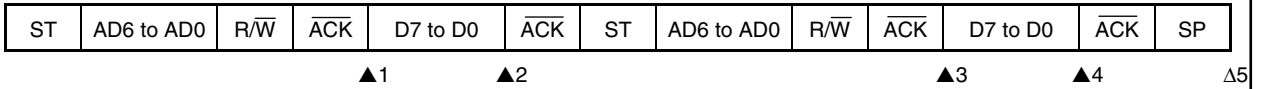
Δ: Generated only when SPIEn bit = 1

X: don't care

2. n = 0, 1

(2) Start ~ Address ~ Data ~ Start ~ Address ~ Data ~ Stop

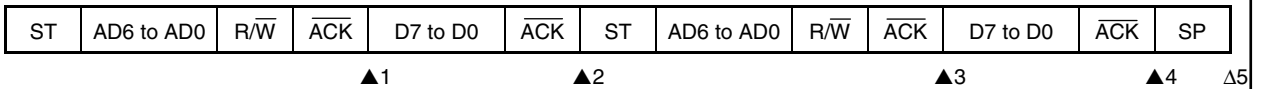
<1> When WTIMn bit = 0 (after restart, address match)



- ▲1: IICSn register = 0001X110B
- ▲2: IICSn register = 0001X000B
- ▲3: IICSn register = 0001X110B
- ▲4: IICSn register = 0001X000B
- Δ 5: IICSn register = 00000001B

**Remarks 1.** ▲: Always generated  
 Δ: Generated only when SPIEn bit = 1  
 X: don't care  
**2.** n = 0, 1

<2> When WTIMn bit = 1 (after restart, address match)



- ▲1: IICSn register = 0001X110B
- ▲2: IICSn register = 0001XX00B
- ▲3: IICSn register = 0001X110B
- ▲4: IICSn register = 0001XX00B
- Δ 5: IICSn register = 00000001B

**Remarks 1.** ▲: Always generated  
 Δ: Generated only when SPIEn bit = 1  
 X: don't care  
**2.** n = 0, 1



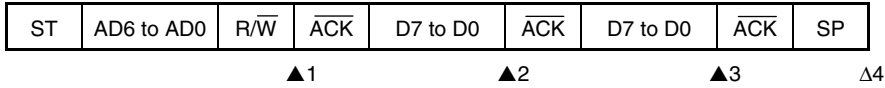


15.7.3 Slave device operation (when receiving extension code)

<R> The device always participates in communication when it receives the extension code.

(1) Start ~ Code ~ Data ~ Data ~ Stop

<1> When IICn.WTIMn bit = 0



▲1: IICSn register = 0010X010B

▲2: IICSn register = 0010X000B

▲3: IICSn register = 0010X000B

Δ 4: IICSn register = 00000001B

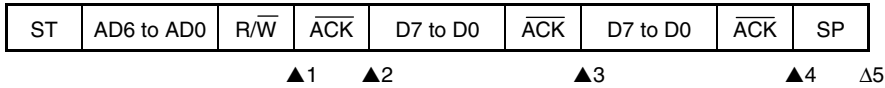
**Remarks 1.** ▲: Always generated

Δ: Generated only when IICn.SPIEn bit = 1

X: don't care

2. n = 0, 1

<2> When WTIMn bit = 1



▲1: IICSn register = 0010X010B

▲2: IICSn register = 0010X110B

▲3: IICSn register = 0010X100B

▲4: IICSn register = 0010XX00B

Δ 5: IICSn register = 00000001B

**Remarks 1.** ▲: Always generated

Δ: Generated only when SPIEn bit = 1

X: don't care

2. n = 0, 1

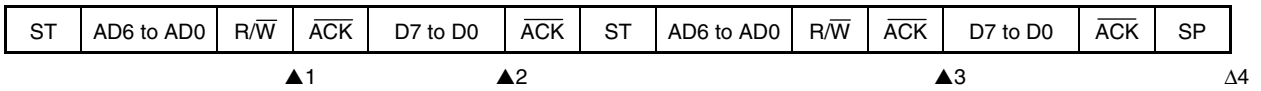






(4) Start ~ Code ~ Data ~ Start ~ Address ~ Data ~ Stop

<1> When WTIMn bit = 0 (after restart, address mismatch (= not extension code))

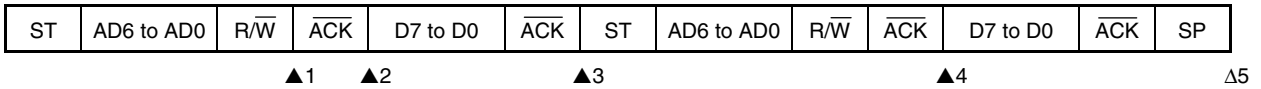


- ▲1: IICSn register = 0010X010B
- ▲2: IICSn register = 0010X000B
- ▲3: IICSn register = 00000110B
- Δ 4: IICSn register = 00000001B

<R>

**Remarks 1.** ▲: Always generated  
 Δ: Generated only when SPIEn bit = 1  
 X: don't care  
 2. n = 0, 1

<2> When WTIMn bit = 1 (after restart, address mismatch (= not extension code))



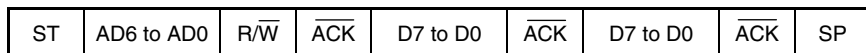
- ▲1: IICSn register = 0010X010B
- ▲2: IICSn register = 0010X110B
- ▲3: IICSn register = 0010XX00B
- ▲4: IICSn register = 00000110B
- Δ 5: IICSn register = 00000001B

<R>

**Remarks 1.** ▲: Always generated  
 Δ: Generated only when SPIEn bit = 1  
 X: don't care  
 2. n = 0, 1

## 15.7.4 Operation without communication

## (1) Start ~ Code ~ Data ~ Data ~ Stop



Δ1

Δ 1: IICSn register = 00000001B

- Remarks**
1. Δ: Generated only when SPIEn bit = 1
  2. n = 0, 1

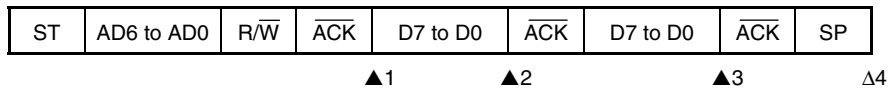
### 15.7.5 Arbitration loss operation (operation as slave after arbitration loss)

&lt;R&gt;

When the device is used as the master in a multi-master system, read the IICSn.MSTS<sub>n</sub> bit to check the arbitration result each time the INTIIC<sub>n</sub> interrupt has been generated.

#### (1) When arbitration loss occurs during transmission of slave address data

##### <1> When IICn.WTIM<sub>n</sub> bit = 0



▲1: IIC<sub>n</sub> register = 0101X110B

▲2: IIC<sub>n</sub> register = 0001X000B

▲3: IIC<sub>n</sub> register = 0001X000B

Δ 4: IIC<sub>n</sub> register = 00000001B

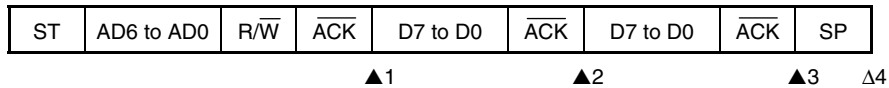
**Remarks 1.** ▲: Always generated

Δ: Generated only when IIC<sub>n</sub>.SPIEn bit = 1

X: don't care

2. n = 0, 1

##### <2> When WTIM<sub>n</sub> bit = 1



▲1: IIC<sub>n</sub> register = 0101X110B

▲2: IIC<sub>n</sub> register = 0001X100B

▲3: IIC<sub>n</sub> register = 0001XX00B

Δ 4: IIC<sub>n</sub> register = 00000001B

**Remarks 1.** ▲: Always generated

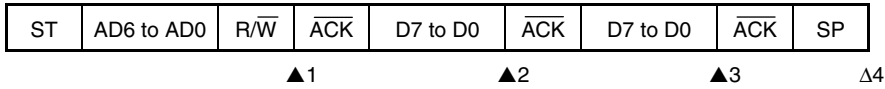
Δ: Generated only when SPIEn bit = 1

X: don't care

2. n = 0, 1

(2) When arbitration loss occurs during transmission of extension code

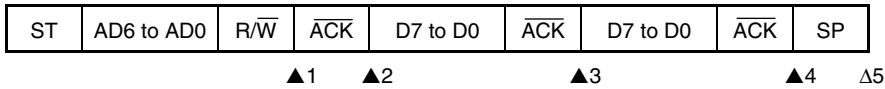
<1> When WTIMn bit = 0



- ▲1: IICSn register = 0110X010B
- ▲2: IICSn register = 0010X000B
- ▲3: IICSn register = 0010X000B
- Δ 4: IICSn register = 00000001B

**Remarks 1.** ▲: Always generated  
 Δ: Generated only when SPIEn bit = 1  
 X: don't care  
 2. n = 0, 1

<2> When WTIMn bit = 1



- ▲1: IICSn register = 0110X010B
- ▲2: IICSn register = 0010X110B
- ▲3: IICSn register = 0010X100B
- ▲4: IICSn register = 0010XX00B
- Δ 5: IICSn register = 00000001B

**Remarks 1.** ▲: Always generated  
 Δ: Generated only when SPIEn bit = 1  
 X: don't care  
 2. n = 0, 1

**15.7.6 Operation when arbitration loss occurs (no communication after arbitration loss)**

<R>

When the device is used as the master in a multi-master system, read the IICS<sub>n</sub>.MSTS<sub>n</sub> bit to check the arbitration result each time the INTIIC<sub>n</sub> interrupt has been generated.

**(1) When arbitration loss occurs during transmission of slave address data**

|    |            |     |     |          |     |          |     |    |
|----|------------|-----|-----|----------|-----|----------|-----|----|
| ST | AD6 to AD0 | R/W | ACK | D7 to D0 | ACK | D7 to D0 | ACK | SP |
|----|------------|-----|-----|----------|-----|----------|-----|----|

▲1 Δ2

▲1: IICS<sub>n</sub> register = 01000110B  
 Δ 2: IICS<sub>n</sub> register = 00000001B

**Remarks 1.** ▲: Always generated  
 Δ: Generated only when IIC<sub>Cn</sub>.SPIEn bit = 1  
 2. n = 0, 1

**(2) When arbitration loss occurs during transmission of extension code**

|    |            |     |     |          |     |          |     |    |
|----|------------|-----|-----|----------|-----|----------|-----|----|
| ST | AD6 to AD0 | R/W | ACK | D7 to D0 | ACK | D7 to D0 | ACK | SP |
|----|------------|-----|-----|----------|-----|----------|-----|----|

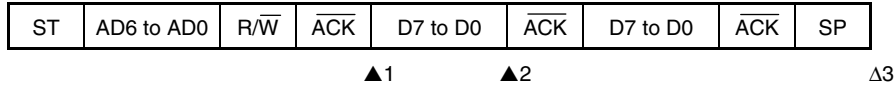
▲1 Δ2

▲1: IICS<sub>n</sub> register = 0110X010B  
 IIC<sub>Cn</sub>.LREL<sub>n</sub> bit is set to 1 by software  
 Δ 2: IICS<sub>n</sub> register = 00000001B

**Remarks 1.** ▲: Always generated  
 Δ: Generated only when SPIEn bit = 1  
 X: don't care  
 2. n = 0, 1

(3) When arbitration loss occurs during data transfer

<1> When IICn.WTIMn bit = 0



▲1: IICSn register = 10001110B

▲2: IICSn register = 01000000B

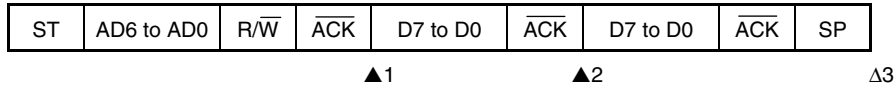
Δ 3: IICSn register = 00000001B

**Remarks 1.** ▲: Always generated

Δ: Generated only when SPIEn bit = 1

2. n = 0, 1

<2> When WTIMn bit = 1



▲1: IICSn register = 10001110B

▲2: IICSn register = 01000100B

Δ 3: IICSn register = 00000001B

**Remarks 1.** ▲: Always generated

Δ: Generated only when SPIEn bit = 1

2. n = 0, 1



(4) When arbitration loss occurs due to restart condition during data transfer

<1> Not extension code (Example: Address mismatch)

|    |            |     |     |          |    |            |     |     |          |     |    |
|----|------------|-----|-----|----------|----|------------|-----|-----|----------|-----|----|
| ST | AD6 to AD0 | R/W | ACK | D7 to Dn | ST | AD6 to AD0 | R/W | ACK | D7 to D0 | ACK | SP |
|----|------------|-----|-----|----------|----|------------|-----|-----|----------|-----|----|

▲1

▲2

Δ3

▲1: IICSn register = 1000X110B

▲2: IICSn register = 01000110B

Δ 3: IICSn register = 00000001B

**Remarks 1.** ▲: Always generated

Δ: Generated only when SPIEn bit = 1

X: don't care

**2.** Dn = D6 to D0

n = 0, 1

<2> Extension code

|    |            |     |     |          |    |            |     |     |          |     |    |
|----|------------|-----|-----|----------|----|------------|-----|-----|----------|-----|----|
| ST | AD6 to AD0 | R/W | ACK | D7 to Dn | ST | AD6 to AD0 | R/W | ACK | D7 to D0 | ACK | SP |
|----|------------|-----|-----|----------|----|------------|-----|-----|----------|-----|----|

▲1

▲2

Δ3

▲1: IICSn register = 1000X110B

▲2: IICSn register = 0110X010B

IICn.LRELn bit is set to 1 by software

Δ 3: IICSn register = 00000001B

**Remarks 1.** ▲: Always generated

Δ: Generated only when SPIEn bit = 1

X: don't care

**2.** Dn = D6 to D0

n = 0, 1

## (5) When arbitration loss occurs due to stop condition during data transfer

|    |            |     |                  |          |    |
|----|------------|-----|------------------|----------|----|
| ST | AD6 to AD0 | R/W | $\overline{ACK}$ | D7 to Dn | SP |
|----|------------|-----|------------------|----------|----|

▲1

Δ2

▲1: IICSn register = 1000X110B

Δ2: IICSn register = 01000001B

**Remarks 1.** ▲: Always generated

Δ: Generated only when SPIEn bit = 1

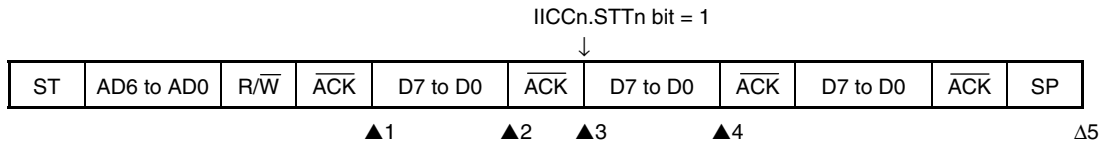
X: don't care

**2.** Dn = D6 to D0

n = 0, 1

(6) When arbitration loss occurs due to low level of SDA0n pin when attempting to generate a restart condition

<1> When WTIMn bit = 0

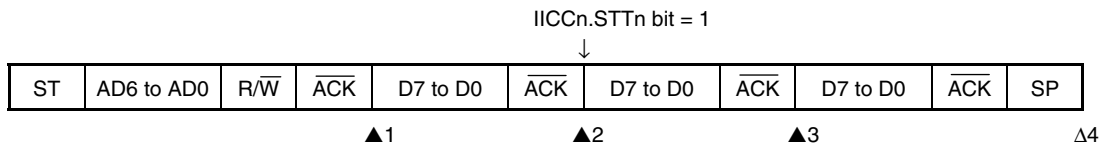


- ▲1: IICSn register = 1000X110B
- ▲2: IICSn register = 1000X000B (WTIMn bit = 1)
- ▲3: IICSn register = 1000X100B (WTIMn bit = 0)
- ▲4: IICSn register = 01000000B
- Δ5: IICSn register = 00000001B

**Remarks 1.** ▲: Always generated  
 Δ: Generated only when SPIEn bit = 1  
 X: don't care  
**2.** n = 0, 1

<R>

<2> When WTIMn bit = 1



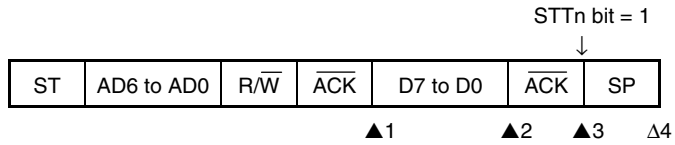
- ▲1: IICSn register = 1000X110B
- ▲2: IICSn register = 1000X100B
- ▲3: IICSn register = 01000100B
- Δ4: IICSn register = 00000001B

**Remarks 1.** ▲: Always generated  
 Δ: Generated only when SPIEn bit = 1  
 X: don't care  
**2.** n = 0, 1

<R>

(7) When arbitration loss occurs due to a stop condition when attempting to generate a restart condition

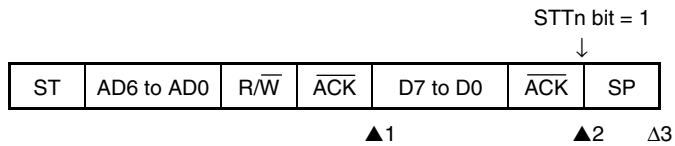
<1> When WTIMn bit = 0



- ▲1: IICSn register = 1000X110B
- ▲2: IICSn register = 1000X000B (WTIMn bit = 1)
- ▲3: IICSn register = 1000XX00B
- Δ 4: IICSn register = 01000001B

**Remarks 1.** ▲: Always generated  
 Δ: Generated only when SPIEn bit = 1  
 X: don't care  
 2. n = 0, 1

<2> When WTIMn bit = 1

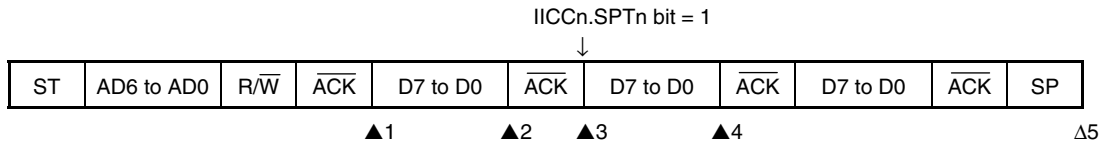


- ▲1: IICSn register = 1000X110B
- ▲2: IICSn register = 1000XX00B
- Δ 3: IICSn register = 01000001B

**Remarks 1.** ▲: Always generated  
 Δ: Generated only when SPIEn bit = 1  
 X: don't care  
 2. n = 0, 1

(8) When arbitration loss occurs due to low level of SDA0n pin when attempting to generate a stop condition

<1> When WTIMn bit = 0

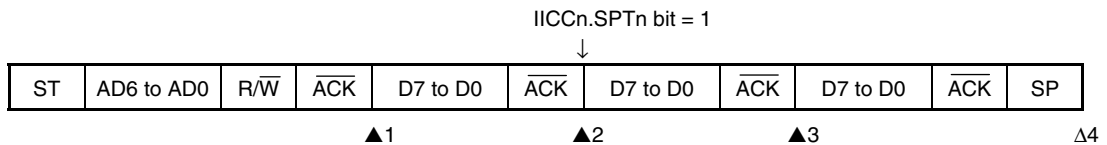


- ▲1: IICSn register = 1000X110B
- ▲2: IICSn register = 1000X000B (WTIMn bit = 1)
- ▲3: IICSn register = 1000X100B (WTIMn bit = 0)
- ▲4: IICSn register = 01000100B
- Δ5: IICSn register = 00000001B

**Remarks 1.** ▲: Always generated  
 Δ: Generated only when SPIEn bit = 1  
 X: don't care  
 2. n = 0, 1

<R>  
<R>

<2> When WTIMn bit = 1



- ▲1: IICSn register = 1000X110B
- ▲2: IICSn register = 1000X100B
- ▲3: IICSn register = 01000100B
- Δ4: IICSn register = 00000001B

**Remarks 1.** ▲: Always generated  
 Δ: Generated only when SPIEn bit = 1  
 X: don't care  
 2. n = 0, 1

<R>  
<R>

## 15.8 Interrupt Request Signal (INTIICn) Generation Timing and Wait Control

The setting of the IICn.WTIMn bit determines the timing by which the INTIICn register is generated and the corresponding wait control, as shown below (n = 0, 1).

**Table 15-3. INTIICn Generation Timing and Wait Control**

| WTIMn Bit | During Slave Device Operation |                     |                     | During Master Device Operation |                |                   |
|-----------|-------------------------------|---------------------|---------------------|--------------------------------|----------------|-------------------|
|           | Address                       | Data Reception      | Data Transmission   | Address                        | Data Reception | Data Transmission |
| 0         | g <sup>Notes 1, 2</sup>       | g <sup>Note 2</sup> | g <sup>Note 2</sup> | 9                              | 8              | 8                 |
| 1         | g <sup>Notes 1, 2</sup>       | g <sup>Note 2</sup> | g <sup>Note 2</sup> | 9                              | 9              | 9                 |

**Notes 1.** The slave device's INTIICn signal and wait period occur at the falling edge of the ninth clock only when there is a match with the address set to the SVAn register.

At this point, the  $\overline{ACK}$  is generated regardless of the value set to the IICn.ACKEn bit. For a slave device that has received an extension code, the INTIICn signal occurs at the falling edge of the eighth clock.

When the address does not match after restart, the INTIICn signal is generated at the falling edge of the ninth clock, but no wait occurs.

2. If the received address does not match the contents of the SVAn register and an extension code is not received, neither the INTIICn signal nor a wait occurs.

**Remarks 1.** The numbers in the table indicate the number of the serial clock's clock signals. Interrupt requests and wait control are both synchronized with the falling edge of these clock signals.

2. n = 0, 1

### (1) During address transmission/reception

- Slave device operation: Interrupt and wait timing are determined regardless of the WTIMn bit.
- Master device operation: Interrupt and wait timing occur at the falling edge of the ninth clock regardless of the WTIMn bit.

### (2) During data reception

- Master/slave device operation: Interrupt and wait timing is determined according to the WTIMn bit.

### (3) During data transmission

- Master/slave device operation: Interrupt and wait timing is determined according to the WTIMn bit.

**(4) Wait cancellation method**

The four wait cancellation methods are as follows.

- By writing data to the IICn register
- By setting the IICn.WRELn bit to 1 (wait cancellation)
- By setting the IICn.STTn bit to 1 (start condition generation)<sup>Note</sup>
- By setting the IICn.SPTn bit to 1 (stop condition generation)<sup>Note</sup>

**Note** Master only

When an 8-clock wait has been selected (WTIMn bit = 0), whether or not the  $\overline{\text{ACK}}$  has been generated must be determined prior to wait cancellation.

**Remark** n = 0, 1

**(5) Stop condition detection**

The INTIICn signal is generated when a stop condition is detected.

**Remark** n = 0, 1

**15.9 Address Match Detection Method**

In I<sup>2</sup>C bus mode, the master device can select a particular slave device by transmitting the corresponding slave address.

Address match detection is performed automatically by hardware. The INTIICn signal occurs when a local address has been set to the SVAn register and when the address set to the SVAn register matches the slave address sent by the master device, or when an extension code has been received (n = 0, 1).

**15.10 Error Detection**

In I<sup>2</sup>C bus mode, the status of the serial data bus pin (SDA0n) during data transmission is captured by the IICn register of the transmitting device, so the data of the IICn register prior to transmission can be compared with the transmitted IICn data to enable detection of transmission errors. A transmission error is judged as having occurred when the compared data values do not match (n = 0, 1).

## 15.11 Extension Code

- (1) When the higher 4 bits of the receive address are either 0000 or 1111, the extension code flag (IICS<sub>n</sub>.EXC<sub>n</sub> bit) is set for extension code reception and an interrupt request signal (INTIIC<sub>n</sub>) is issued at the falling edge of the eighth clock ( $n = 0, 1$ ).

The local address stored in the SVAn register is not affected.

- (2) If 11110xx0 is set to the SVAn register by a 10-bit address transfer and 11110xx0 is transferred from the master device, the results are as follows. Note that the INTIIC<sub>n</sub> signal occurs at the falling edge of the eighth clock ( $n = 0, 1$ )

- Higher four bits of data match: EXC<sub>n</sub> bit = 1
- Seven bits of data match: IICS<sub>n</sub>.COIn bit = 1

- (3) Since the processing after the interrupt request signal occurs differs according to the data that follows the extension code, such processing is performed by software.

<R> The device participates in communication when it receives the extension code while it is operating as a slave, even if the address does not match.

For example, when operation as a slave is not desired after the extension code is received, set the IIC<sub>n</sub>.LRELn bit to 1 and the CPU will enter the next communication wait state.

**Table 15-4. Extension Code Bit Definitions**

| Slave Address | R/W Bit | Description                                       |
|---------------|---------|---------------------------------------------------|
| 0000 000      | 0       | General call address                              |
| 0000 000      | 1       | Start byte                                        |
| 0000 001      | X       | CBUS address                                      |
| 0000 010      | X       | Address that is reserved for different bus format |
| 1111 0xx      | X       | 10-bit slave address specification                |



## 15.12 Arbitration

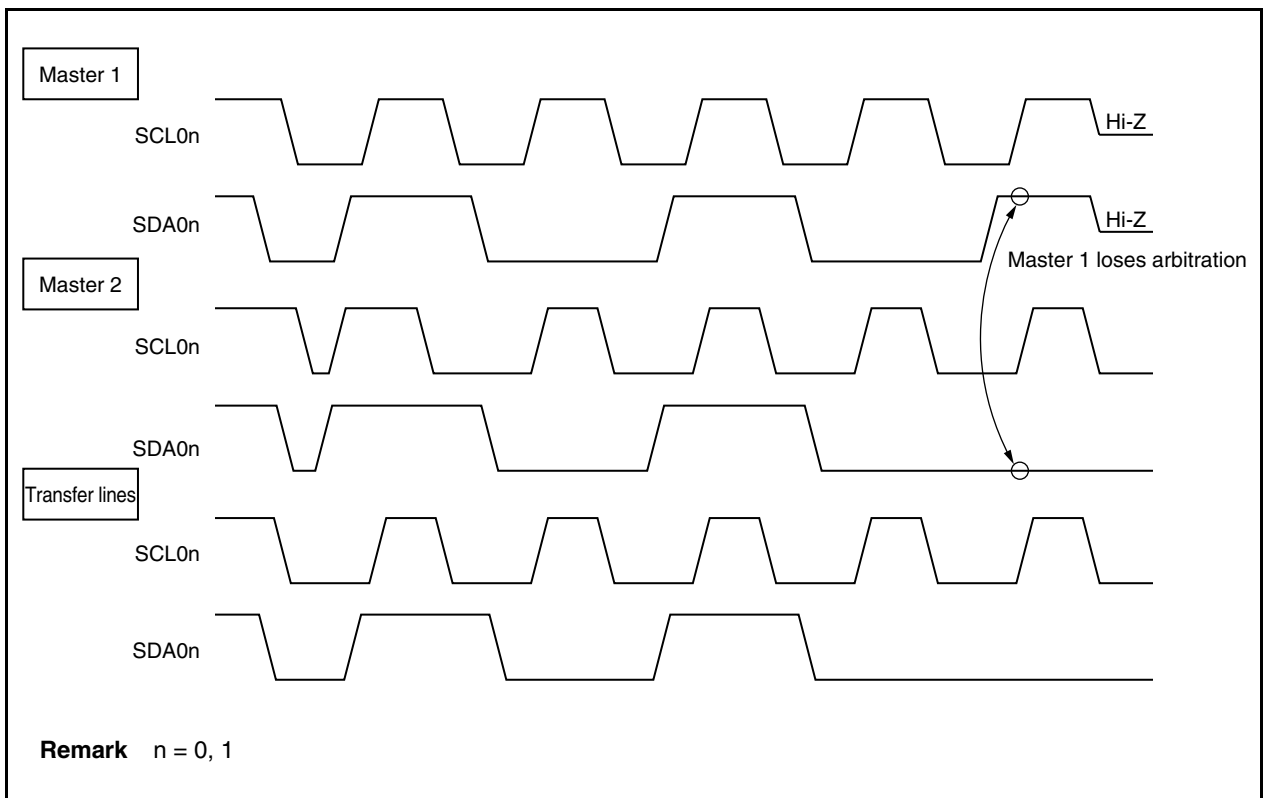
When several master devices simultaneously generate a start condition (when the IICn.STTn bit is set to 1 before the IICSn.STDn bit is set to 1), communication between the master devices is performed while the number of clocks is adjusted until the data differs. This kind of operation is called arbitration ( $n = 0, 1$ ).

When one of the master devices loses in arbitration, an arbitration loss flag (IICSn.ALDn bit) is set to 1 via the timing by which the arbitration loss occurred, and the SCL0n and SDA0n lines are both set to high impedance, which releases the bus ( $n = 0, 1$ ).

Arbitration loss is detected based on the timing of the next interrupt request signal (INTIICn) (the eighth or ninth clock, when a stop condition is detected, etc.) and the setting of the ALDn bit to 1, which is made by software ( $n = 0, 1$ ).

For details of interrupt request timing, see 15.7 I<sup>2</sup>C Interrupt Request Signals (INTIICn).

Figure 15-12. Arbitration Timing Example



**Table 15-5. Status During Arbitration and Interrupt Request Signal Generation Timing**

| Status During Arbitration                                                      | Interrupt Request Generation Timing                                                |
|--------------------------------------------------------------------------------|------------------------------------------------------------------------------------|
| Transmitting address transmission                                              | At falling edge of eighth or ninth clock following byte transfer <sup>Note 1</sup> |
| Read/write data after address transmission                                     |                                                                                    |
| Transmitting extension code                                                    |                                                                                    |
| Read/write data after extension code transmission                              |                                                                                    |
| Transmitting data                                                              |                                                                                    |
| ACK transfer period after data reception                                       |                                                                                    |
| When restart condition is detected during data transfer                        |                                                                                    |
| When stop condition is detected during data transfer                           | When stop condition is generated (when IICn.SPIEn bit = 1) <sup>Note 2</sup>       |
| When SDA0n pin is low level while attempting to generate restart condition     | At falling edge of eighth or ninth clock following byte transfer <sup>Note 1</sup> |
| When stop condition is detected while attempting to generate restart condition | When stop condition is generated (when IICn.SPIEn bit = 1) <sup>Note 2</sup>       |
| When DSA0n pin is low level while attempting to generate stop condition        | At falling edge of eighth or ninth clock following byte transfer <sup>Note 1</sup> |
| When SCL0n pin is low level while attempting to generate restart condition     |                                                                                    |

**Notes 1.** When the IICn.WTIMn bit = 1, an INTIICn signal occurs at the falling edge of the ninth clock. When the WTIMn bit = 0 and the extension code's slave address is received, an INTIICn signal occurs at the falling edge of the eighth clock (n = 0, 1).

- 2.** When there is a possibility that arbitration will occur, set the SPIEn bit to 1 for master device operation (n = 0, 1).

### 15.13 Wakeup Function

The I<sup>2</sup>C bus slave function is a function that generates an interrupt request signal (INTIICn) when a local address and extension code have been received.

This function makes processing more efficient by preventing unnecessary the INTIICn signal from occurring when addresses do not match.

When a start condition is detected, wakeup standby mode is set. This wakeup standby mode is in effect while addresses are transmitted due to the possibility that an arbitration loss may change the master device (which has generated a start condition) to a slave device.

However, when a stop condition is detected, the IICn.SPIEn bit is set regardless of the wakeup function, and this determines whether INTIICn signal is enabled or disabled (n = 0, 1).

## 15.14 Communication Reservation

### 15.14.1 When communication reservation function is enabled (IICFn.IICRSVn bit = 0)

To start master device communications when not currently using the bus, a communication reservation can be made to enable transmission of a start condition when the bus is released. There are two modes in which the bus is not used.

- When arbitration results in neither master nor slave operation
- When an extension code is received and slave operation is disabled ( $\overline{\text{ACK}}$  is not returned and the bus was released when the IICFn.LRELn bit was set to 1) (n = 0, 1).

If the IICFn.STTn bit is set to 1 while the bus is not used, a start condition is automatically generated and a wait status is set after the bus is released (after a stop condition is detected).

<R>

The device automatically starts communication as the master when an address is written to the IICn register after the IICFn.SPIEn bit has been set (1) and release of the bus has been detected (i.e., the stop condition has been detected) by generation of an interrupt request (INTIICn). Data written to the IICn register is invalid before the stop condition is detected.

When STTn has been set to 1, the operation mode (as start condition or as communication reservation) is determined according to the bus status (n = 0, 1).

If the bus has been released ..... A start condition is generated

If the bus has not been released (standby mode) ..... Communication reservation

To detect which operation mode has been determined for the STTn bit, set the STTn bit to 1, wait for the wait period, then check the IICFn.MSTSn bit (n = 0, 1).

The wait periods, which should be set via software, are listed in Table 15-6. These wait periods can be set by the SMCn, CLn1, and CLn0 bits of the IICCLn register and the IICFn.CLXn bit (n = 0, 1).

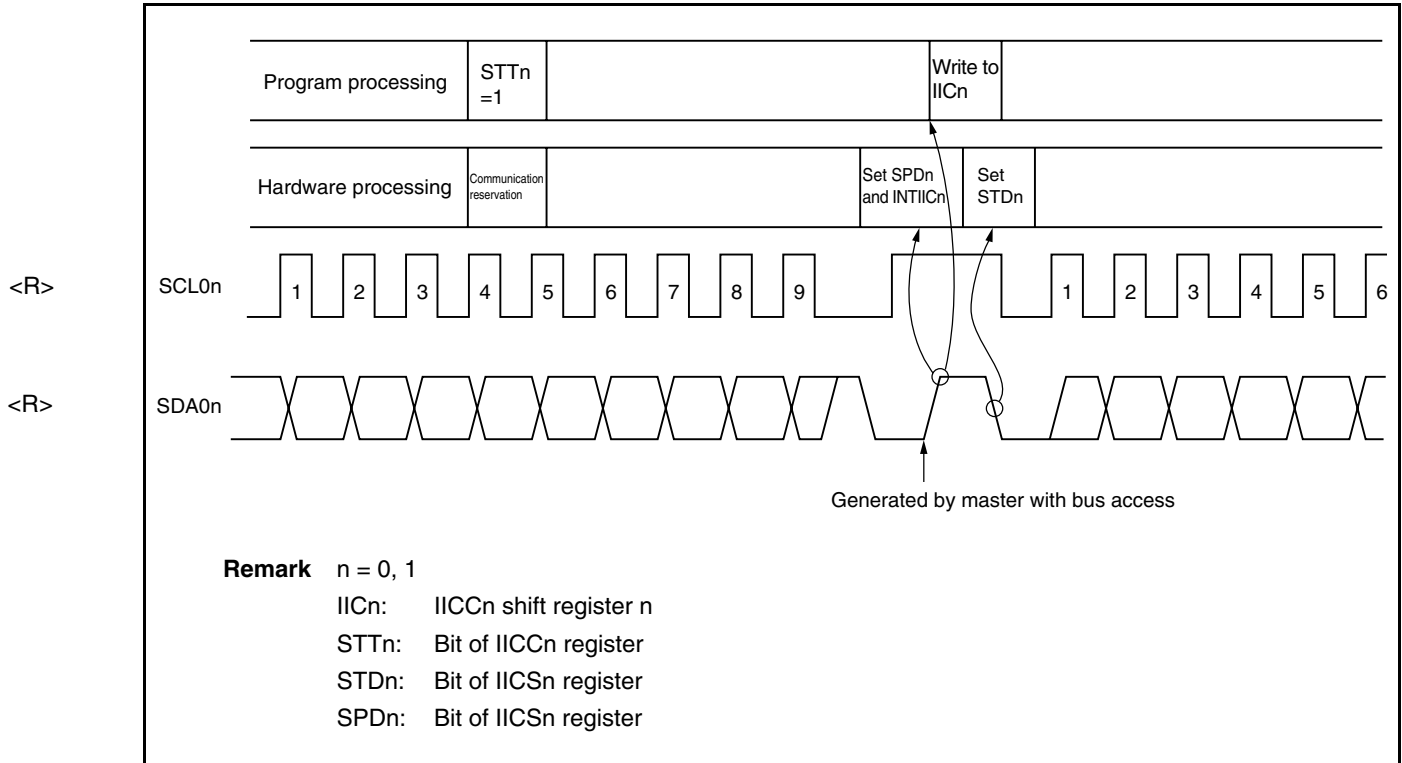
Table 15-6. Wait Periods

| Clock Selection                           | CLXn | SMCn | CLn1 | CLn0 | Wait Period |
|-------------------------------------------|------|------|------|------|-------------|
| f <sub>xx</sub> (when OCKSn = 18H set)    | 0    | 0    | 0    | 0    | 26 clocks   |
| f <sub>xx</sub> /2 (when OCKSn = 10H set) | 0    | 0    | 0    | 0    | 52 clocks   |
| f <sub>xx</sub> /3 (when OCKSn = 11H set) | 0    | 0    | 0    | 0    | 78 clocks   |
| f <sub>xx</sub> /4 (when OCKSn = 12H set) | 0    | 0    | 0    | 0    | 104 clocks  |
| f <sub>xx</sub> /5 (when OCKSn = 13H set) | 0    | 0    | 0    | 0    | 130 clocks  |
| f <sub>xx</sub> (when OCKSn = 18H set)    | 0    | 0    | 0    | 1    | 47 clocks   |
| f <sub>xx</sub> /2 (when OCKSn = 10H set) | 0    | 0    | 0    | 1    | 94 clocks   |
| f <sub>xx</sub> /3 (when OCKSn = 11H set) | 0    | 0    | 0    | 1    | 141 clocks  |
| f <sub>xx</sub> /4 (when OCKSn = 12H set) | 0    | 0    | 0    | 1    | 188 clocks  |
| f <sub>xx</sub>                           | 0    | 0    | 1    | 0    | 47 clocks   |
| f <sub>xx</sub> (when OCKSn = 18H set)    | 0    | 1    | 0    | ×    | 16 clocks   |
| f <sub>xx</sub> /2 (when OCKSn = 10H set) | 0    | 1    | 0    | ×    | 32 clocks   |
| f <sub>xx</sub> /3 (when OCKSn = 11H set) | 0    | 1    | 0    | ×    | 48 clocks   |
| f <sub>xx</sub> /4 (when OCKSn = 12H set) | 0    | 1    | 0    | ×    | 64 clocks   |
| f <sub>xx</sub>                           | 0    | 1    | 1    | 0    | 16 clocks   |
| f <sub>xx</sub> (when OCKSn = 18H set)    | 1    | 1    | 0    | ×    | 10 clocks   |
| f <sub>xx</sub> /2 (when OCKSn = 10H set) | 1    | 1    | 0    | ×    | 20 clocks   |
| f <sub>xx</sub> /3 (when OCKSn = 11H set) | 1    | 1    | 0    | ×    | 30 clocks   |
| f <sub>xx</sub> /4 (when OCKSn = 12H set) | 1    | 1    | 0    | ×    | 40 clocks   |
| f <sub>xx</sub>                           | 1    | 1    | 1    | 0    | 10 clocks   |

- Remarks 1.** n = 0, 1  
**2.** × = don't care

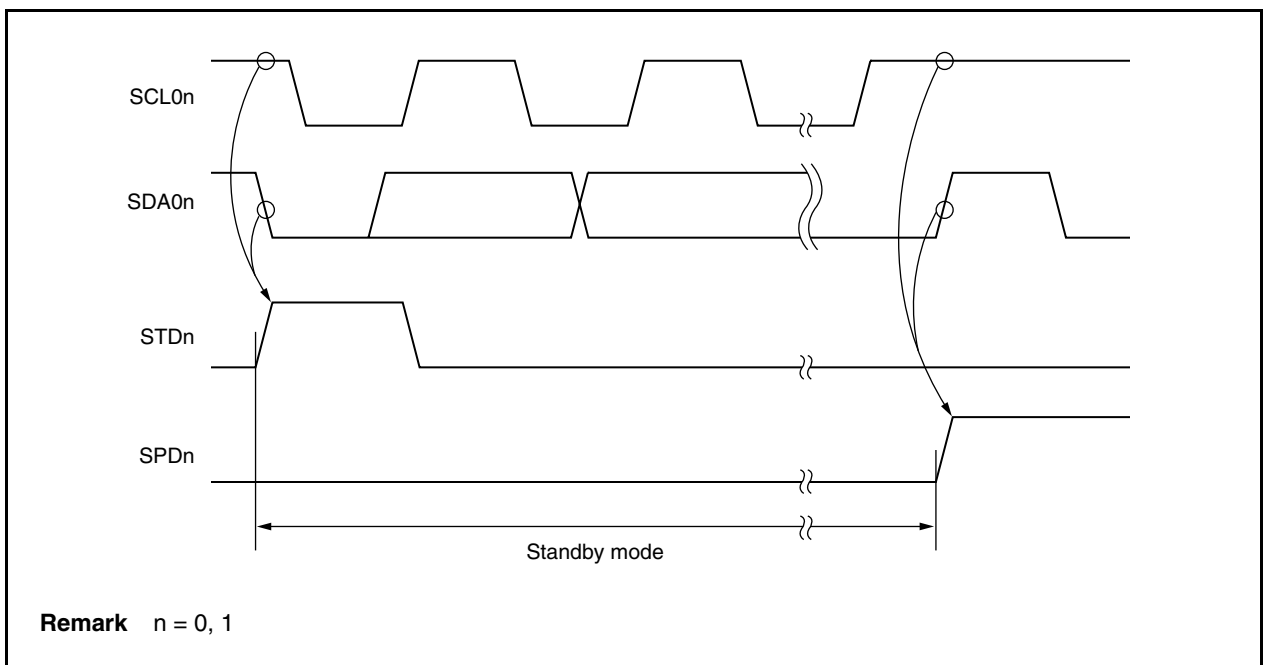
The communication reservation timing is shown below.

Figure 15-13. Communication Reservation Timing



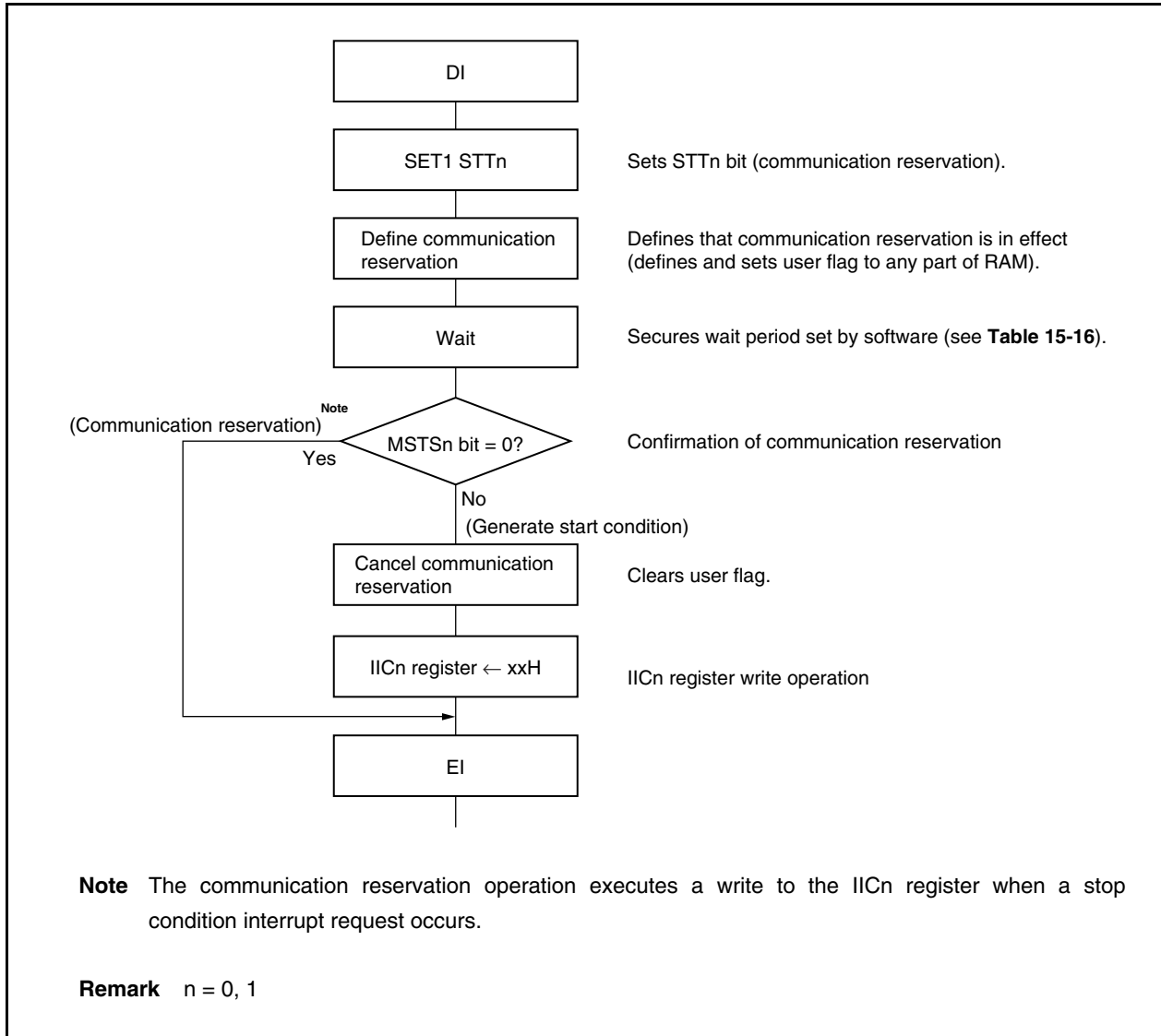
Communication reservations are accepted via the following timing. After the IICSn.STDn bit is set to 1, a communication reservation can be made by setting the IICn.STTn bit to 1 before a stop condition is detected ( $n = 0, 1$ ).

Figure 15-14. Timing for Accepting Communication Reservations



The communication reservation flowchart is illustrated below.

**Figure 15-15. Communication Reservation Flowchart**



**15.14.2 When communication reservation function is disabled (IICFn.IICRSVn bit = 1)**

When the IICFn.STTn bit is set when the bus is not used in a communication during bus communication, this request is rejected and a start condition is not generated. There are two modes in which the bus is not used

- When arbitration results in neither master nor slave operation
- When an extension code is received and slave operation is disabled ( $\overline{\text{ACK}}$  is not returned and the bus was released when the IICFn.LRELn bit was set to 1) (n = 0, 1).

To confirm whether the start condition was generated or request was rejected, check the IICFn.STCFn flag. The time shown in Table 15-7 is required until the STCFn flag is set after setting the STTn bit to 1. Therefore, secure the time by software.

<R>

**Table 15-7. Wait Periods**

| Selection Clock                               | OCKSENn | OCKSTHn | OCKSn1 | OCKSn0 | CLn1 | CLn0 | Wait Period |
|-----------------------------------------------|---------|---------|--------|--------|------|------|-------------|
| f <sub>xx</sub> /2 (when setting OCKSn = 10H) | 1       | 0       | 0      | 0      | 0    | ×    | 6 clocks    |
| f <sub>xx</sub> /3 (when setting OCKSn = 11H) | 1       | 0       | 0      | 1      | 0    | ×    | 9 clocks    |
| f <sub>xx</sub> /4 (when setting OCKSn = 12H) | 1       | 0       | 1      | 0      | 0    | ×    | 12 clocks   |
| f <sub>xx</sub> /5 (when setting OCKSn = 13H) | 1       | 0       | 1      | 1      | 0    | ×    | 15 clocks   |
| f <sub>xx</sub> (when setting OCKSn = 18H)    | 1       | 1       | 0      | 0      | 0    | ×    | 3 clocks    |
| f <sub>xx</sub>                               | 0       | 0       | 0      | 0      | 1    | 0    | 3 clocks    |
| f <sub>xx</sub> /2 (when setting OCKSn = 10H) | 1       | 0       | 0      | 0      | 1    | 1    | 6 clocks    |
| f <sub>xx</sub> /3 (when setting OCKSn = 11H) | 1       | 0       | 0      | 1      | 1    | 1    | 9 clocks    |
| f <sub>xx</sub> /4 (when setting OCKSn = 12H) | 1       | 0       | 1      | 0      | 1    | 1    | 12 clocks   |
| f <sub>xx</sub> /5 (when setting OCKSn = 13H) | 1       | 0       | 1      | 1      | 1    | 1    | 15 clocks   |
| f <sub>xx</sub> (when setting OCKSn = 18H)    | 1       | 1       | 0      | 0      | 1    | 1    | 3 clocks    |

- Remarks**
1. ×: don't care
  2. n = 0, 1
  3. Clock = f<sub>xx</sub> (main clock frequency)

## 15.15 Cautions

- (1) When IICFn.STCENn bit = 0

Immediately after the I<sup>2</sup>C0n operation is enabled, the bus communication status (IICFn.IICBSYn bit = 1) is recognized regardless of the actual bus status. To execute master communication in the status where a stop condition has not been detected, generate a stop condition and then release the bus before starting the master communication.

Use the following sequence for generating a stop condition.

<1> Set the IICCLn register.

<2> Set the IICCN.IICEn bit.

<3> Set the IICCN.SPTn bit.

- (2) When IICFn.STCENn bit = 1

Immediately after I<sup>2</sup>C0n operation is enabled, the bus released status (IICBSYn bit = 0) is recognized regardless of the actual bus status. To generate the first start condition (IICCN.STTn bit = 1), it is necessary to confirm that the bus has been released, so as to not disturb other communications.

- (3) When the IICCN.IICEn bit of the V850ES/SG1 is set to 1 while communications with other devices are in progress, the start condition may be detected depending on the status of the communication line. Be sure to set the IICCN.IICEn bit to 1 when the SCL0n and SDA0n lines are high level.
- (4) Determine the operation clock frequency by the IICCLn, IICXn, and OCKSn registers before enabling the operation (IICCN.IICEn bit = 1). To change the operation clock frequency, clear the IICCN.IICEn bit to 0 once.
- (5) After the IICCN.STTn and IICCN.SPTn bits have been set to 1, they must not be re-set without being cleared to 0 first.
- (6) If transmission has been reserved, set the IICCN.SPIEn bit to 1 so that an interrupt request is generated by the detection of a stop condition. After an interrupt request has been generated, the wait status will be released by writing communication data to I<sup>2</sup>Cn, then transferring will begin. If an interrupt is not generated by the detection of a stop condition, transmission will halt in the wait status because an interrupt request was not generated. However, it is not necessary to set the SPIEn bit to 1 for the software to detect the IICSn.MSTS n bit.

**Remark** n = 0, 1



&lt;R&gt;

## 15.16 Communication Operations

The following shows three operation procedures with the flowchart.

### (1) Master operation in single master system

The flowchart when using the V850ES/SG1 as the master in a single master system is shown below.

This flowchart is broadly divided into the initial settings and communication processing. Execute the initial settings at startup. If communication with the slave is required, prepare the communication and then execute communication processing.

### (2) Master operation in multimaster system

In the I<sup>2</sup>C0n bus multimaster system, whether the bus is released or used cannot be judged by the I<sup>2</sup>C bus specifications when the bus takes part in a communication. Here, when data and clock are at a high level for a certain period (1 frame), the V850ES/SG1 takes part in a communication with bus released state.

This flowchart is broadly divided into the initial settings, communication waiting, and communication processing. The processing when the V850ES/SG1 loses in arbitration and is specified as the slave is omitted here, and only the processing as the master is shown. Execute the initial settings at startup to take part in a communication. Then, wait for the communication request as the master or wait for the specification as the slave. The actual communication is performed in the communication processing, and it supports the transmission/reception with the slave and the arbitration with other masters.

### (3) Slave operation

An example of when the V850ES/SG1 is used as the slave of the I<sup>2</sup>C0n bus is shown below.

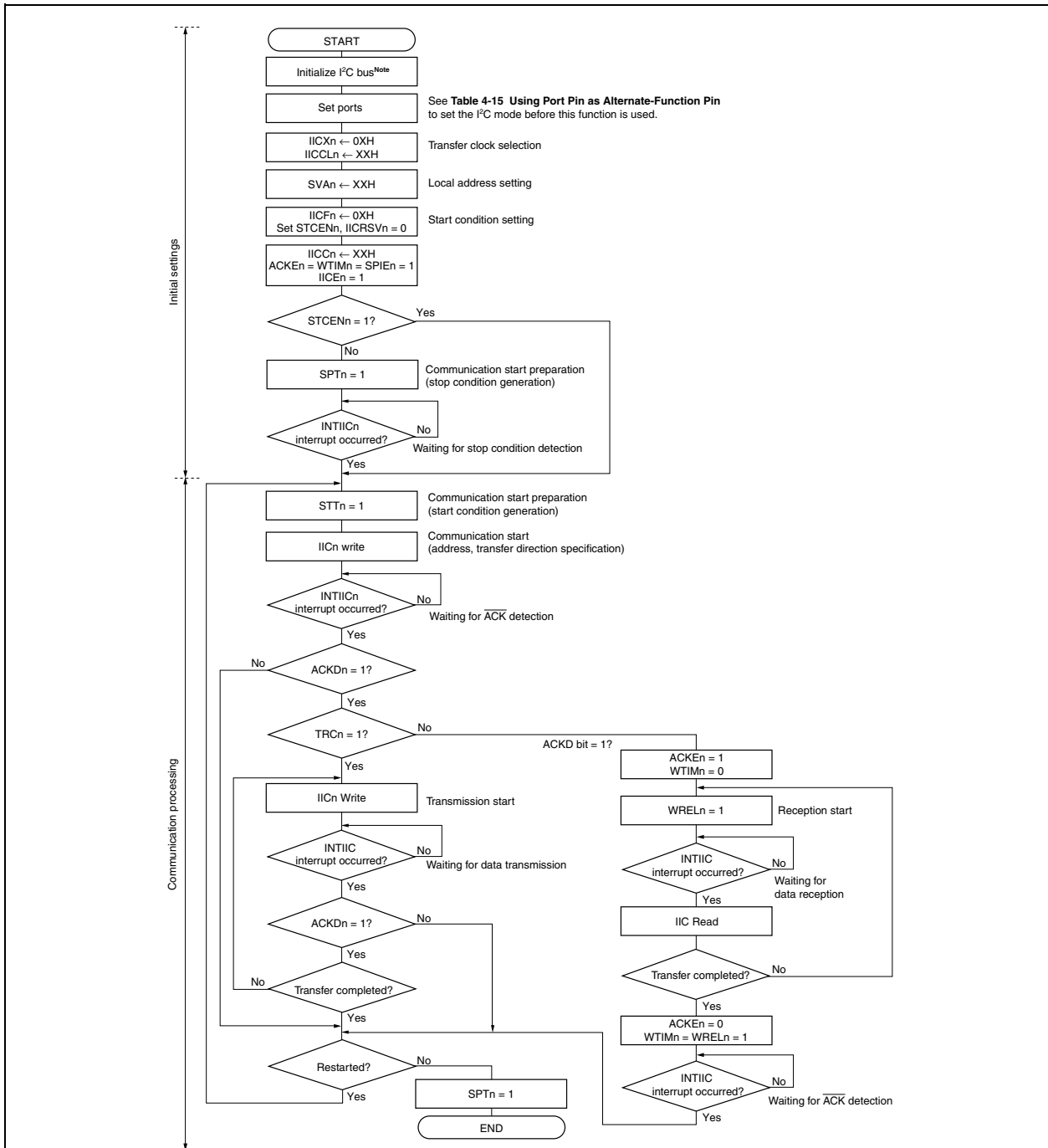
When used as the slave, operation is started by an interrupt. Execute the initial settings at startup, then wait for the INTIICn interrupt occurrence (communication waiting). When the INTIICn interrupt occurs, the communication status is judged and its result is passed as a flag over to the main processing.

By checking the flags, necessary communication processing is performed.

**Remark** n = 0, 1

<R> 15.16.1 Master operation in single master system

Figure 15-16. Master Operation in Single Master System



**Note** Release the I<sup>2</sup>C0n bus (SCL0n, SDA0n pins = high level) in conformity with the specifications of the product in communication.

For example, when the EEPROM<sup>TM</sup> outputs a low level to the SDA0n pin, set the SCL0n pin to the output port and output clock pulses from that output port until when the SDA0n pin is constantly high level.

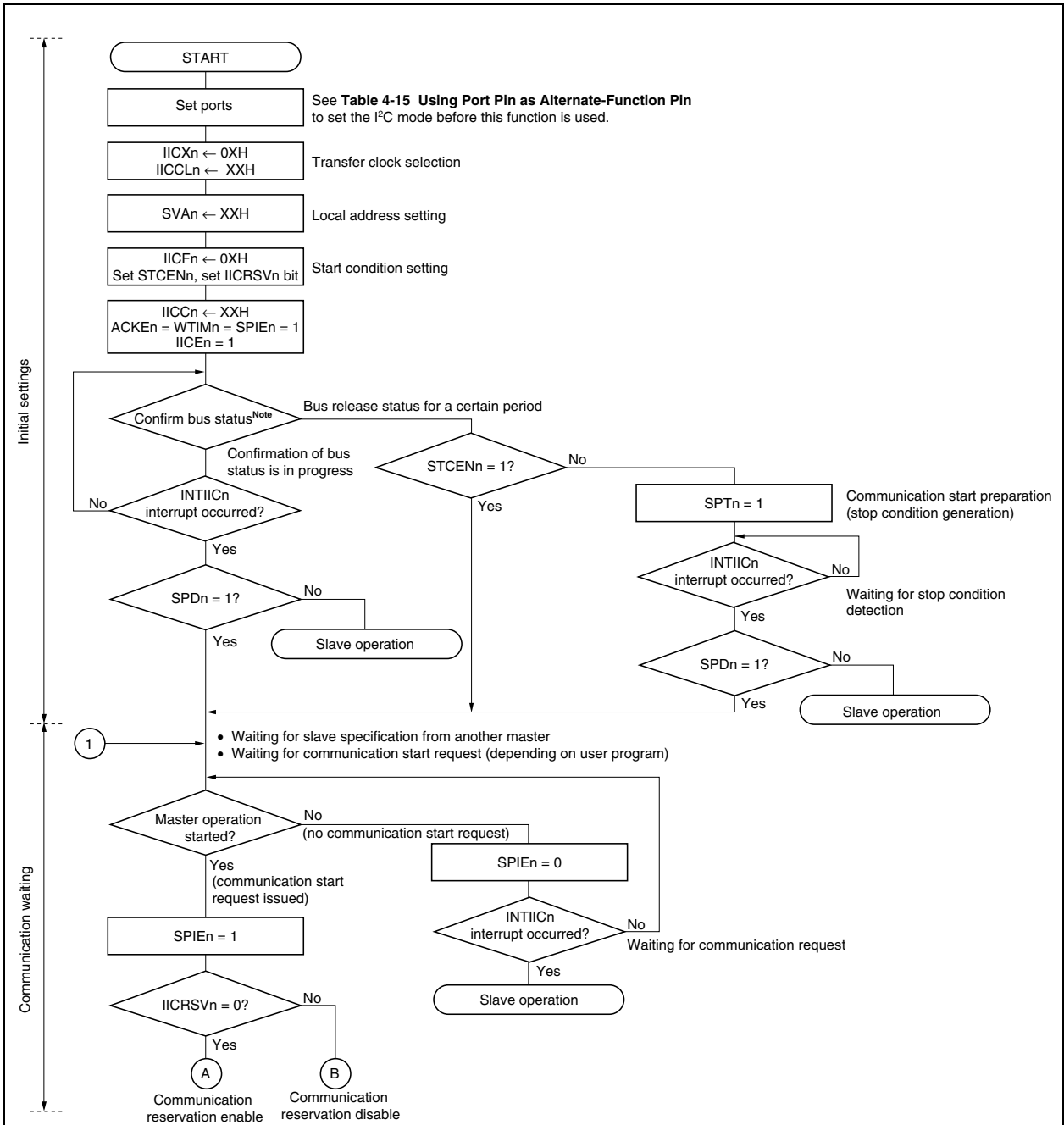
**Remarks 1.** For the transmission and reception formats, conform to the specifications of the product in communication.

2. n = 0, 1

<R>

15.16.2 Master operation in multimaster system

Figure 15-17. Master Operation in Multimaster System (1/3)



**Note** Confirm that the bus release status (IICCLn.CLDn bit = 1, IICCLn.DADn bit = 1) has been maintained for a certain period (1 frame, for example). When the SDA0n pin is constantly low level, determine whether to release the I<sup>2</sup>C0n bus (SCL0n, SDA0n pins = high level) by referring to the specifications of the product in communication.

**Remark** n = 0, 1

Figure 15-17. Master Operation in Multimaster System (2/3)

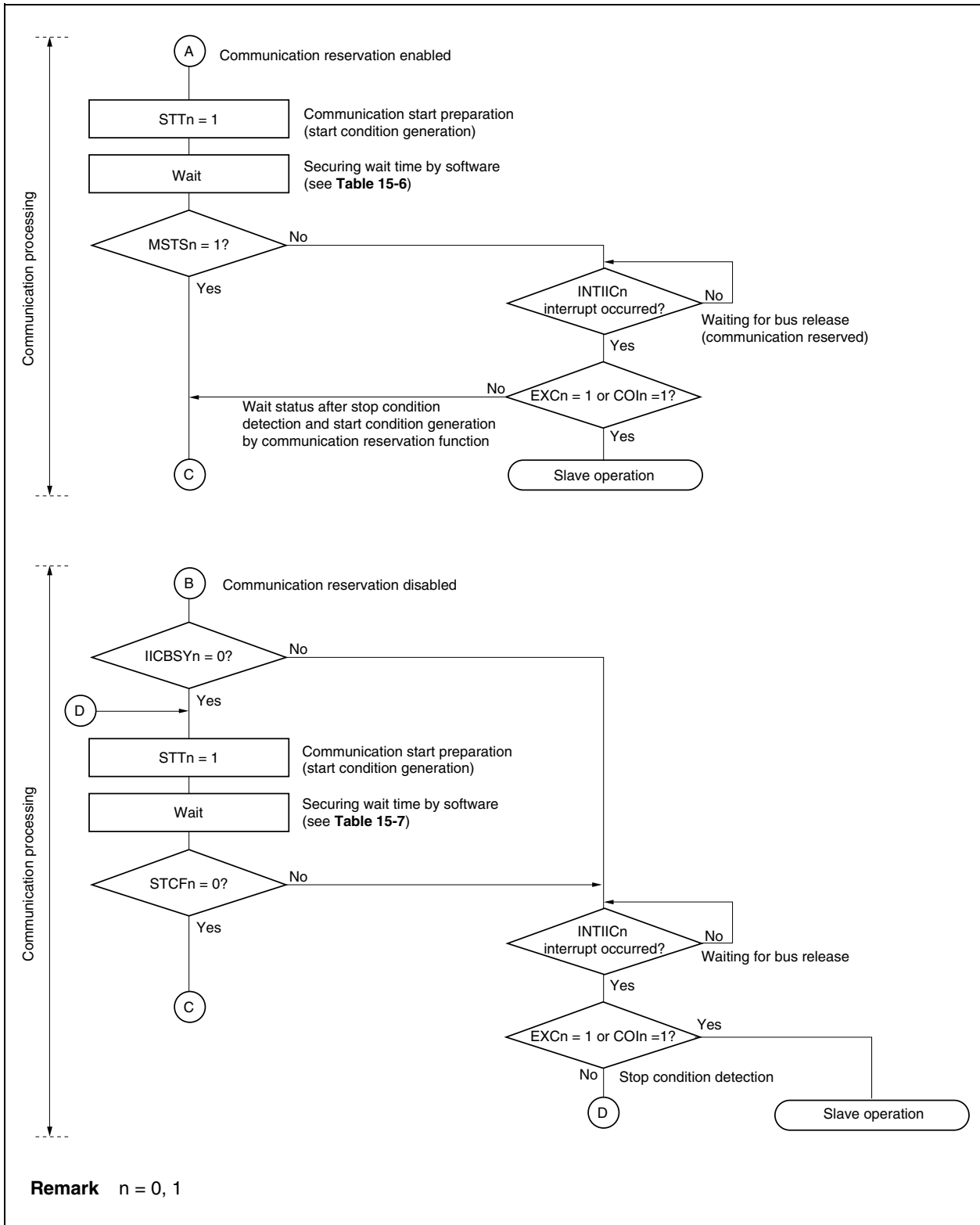
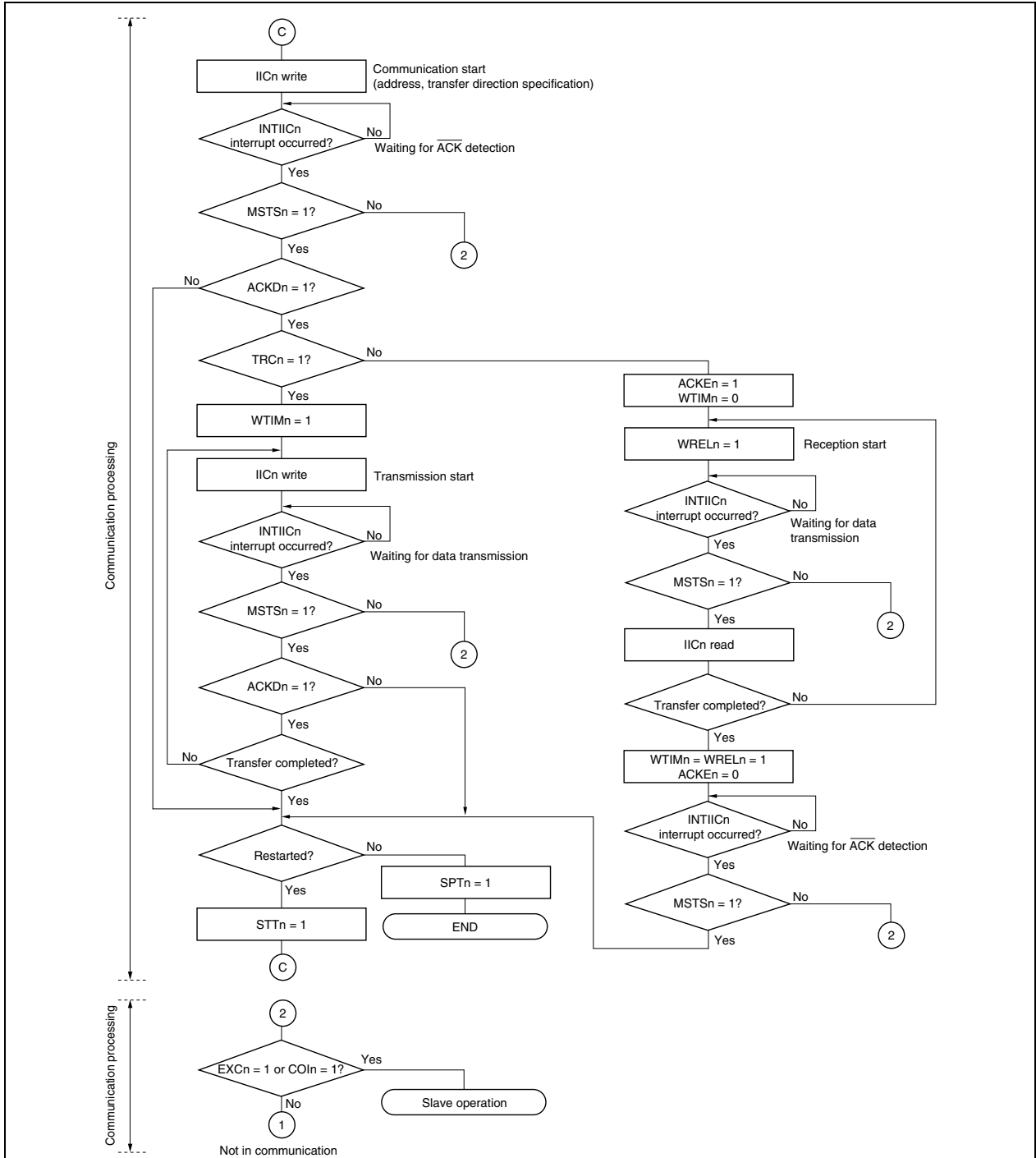


Figure 15-17. Master Operation in Multimaster System (3/3)



- Remarks**
1. Conform the transmission and reception formats to the specifications of the product in communication.
  2. When using the V850ES/SG1 as the master in the multimaster system, read the IICSn.MSTSn bit for each INTIICn interrupt occurrence to confirm the arbitration result.
  3. When using the V850ES/SG1 as the slave in the multimaster system, confirm the status using the IICSn and IICFn registers for each INTIICn interrupt occurrence to determine the next processing.
  4. n = 0, 1

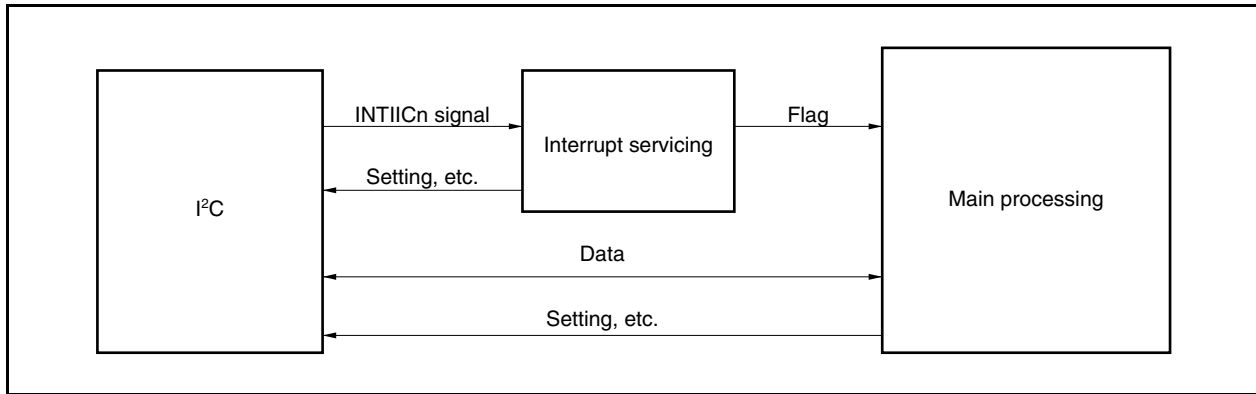
### 15.16.3 Slave operation

The following shows the processing procedure of the slave operation.

Basically, the operation of the slave device is event-driven. Therefore, processing by an INTIICn interrupt (processing requiring a significant change of the operation status, such as stop condition detection during communication) is necessary.

The following description assumes that data communication does not support extension codes. Also, it is assumed that the INTIICn interrupt servicing performs only status change processing and that the actual data communication is performed during the main processing.

**Figure 15-18. Software Outline During Slave Operation**



Therefore, the following three flags are prepared so that the data transfer processing can be performed by transmitting these flags to the main processing instead of INTIICn signal.

#### (1) Communication mode flag

This flag indicates the following communication statuses.

Clear mode: Data communication not in progress

Communication mode: Data communication in progress (valid address detection stop condition detection,  $\overline{\text{ACK}}$  from master not detected, address mismatch)

#### (2) Ready flag

This flag indicates that data communication is enabled. This is the same status as an INTIICn interrupt during normal data transfer. This flag is set in the interrupt processing block and cleared in the main processing block. The ready flag for the first data for transmission is not set in the interrupt processing block, so the first data is transmitted without clear processing (the address match is regarded as a request for the next data).

#### (3) Communication direction flag

This flag indicates the direction of communication and is the same as the value of IICSn.TRCn bit.

The following shows the operation of the main processing block during slave operation.

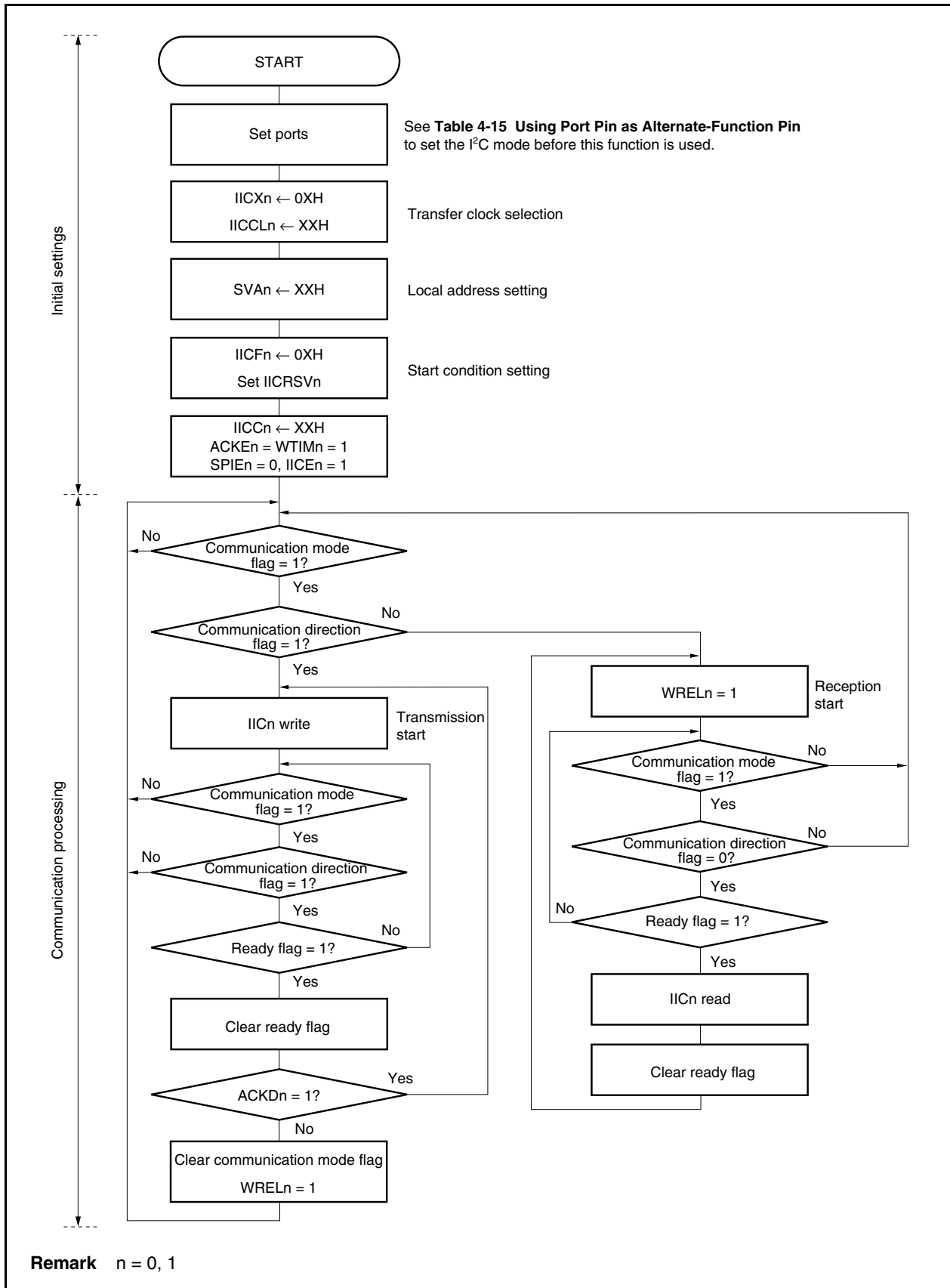
Start I<sup>2</sup>C0n and wait for the communication enabled status. When communication is enabled, perform transfer using the communication mode flag and ready flag (the processing of the stop condition and start condition is performed by interrupts, conditions are confirmed by flags).

For transmission, repeat the transmission operation until the master device stops returning  $\overline{ACK}$ . When the master device stops returning  $\overline{ACK}$ , transfer is complete.

For reception, receive the required number of data and do not return  $\overline{ACK}$  for the next data immediately after transfer is complete. After that, the master device generates the stop condition or restart condition. This causes exit from communications.

<R>

Figure 15-19. Slave Operation Flowchart (1)





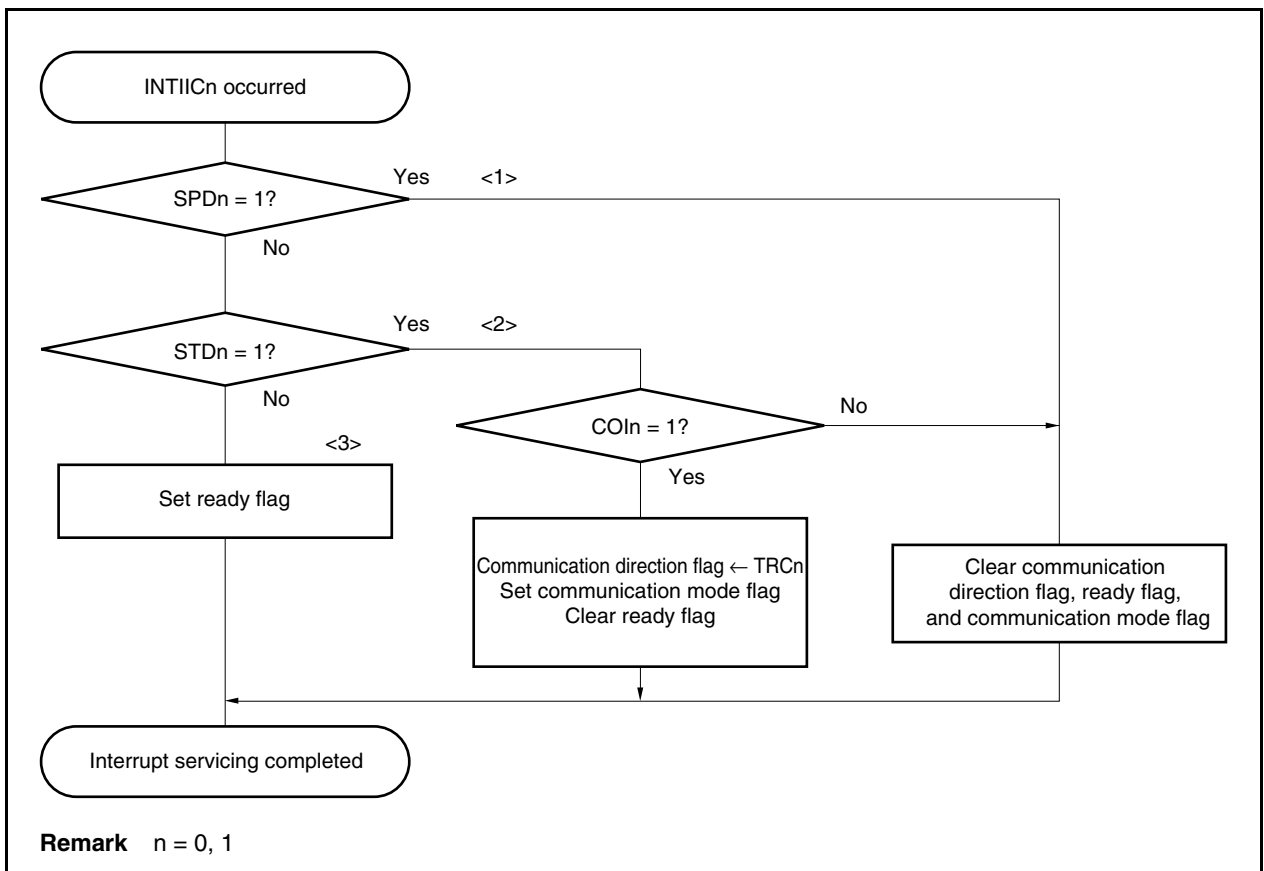
The following shows an example of the processing of the slave device by an INTIICn interrupt (it is assumed that no extension codes are used here). During an INTIICn interrupt, the status is confirmed and the following steps are executed.

- <1> When a stop condition is detected, communication is terminated.
- <2> When a start condition is detected, the address is confirmed. If the address does not match, communication is terminated. If the address matches, the communication mode is set and wait is released, and operation returns from the interrupt (the ready flag is cleared).
- <3> For data transmission/reception, when the ready flag is set, operation returns from the interrupt while the I<sup>2</sup>C0n bus remains in the wait status.

**Remark** <1> to <3> in the above correspond to <1> to <3> in **Figure 15-20 Slave Operation Flowchart (2)**.

<R>

**Figure 15-20. Slave Operation Flowchart (2)**



### 15.17 Timing of Data Communication

When using I<sup>2</sup>C bus mode, the master device generates an address via the serial bus to select one of several slave devices as its communication partner.

After outputting the slave address, the master device transmits the IICSn.TRCn bit, which specifies the data transfer direction, and then starts serial communication with the slave device.

The shift operation of the IICn register is synchronized with the falling edge of the serial clock pin (SCL0n). The transmit data is transferred to the SO latch and is output (MSB first) via the SDA0n pin.

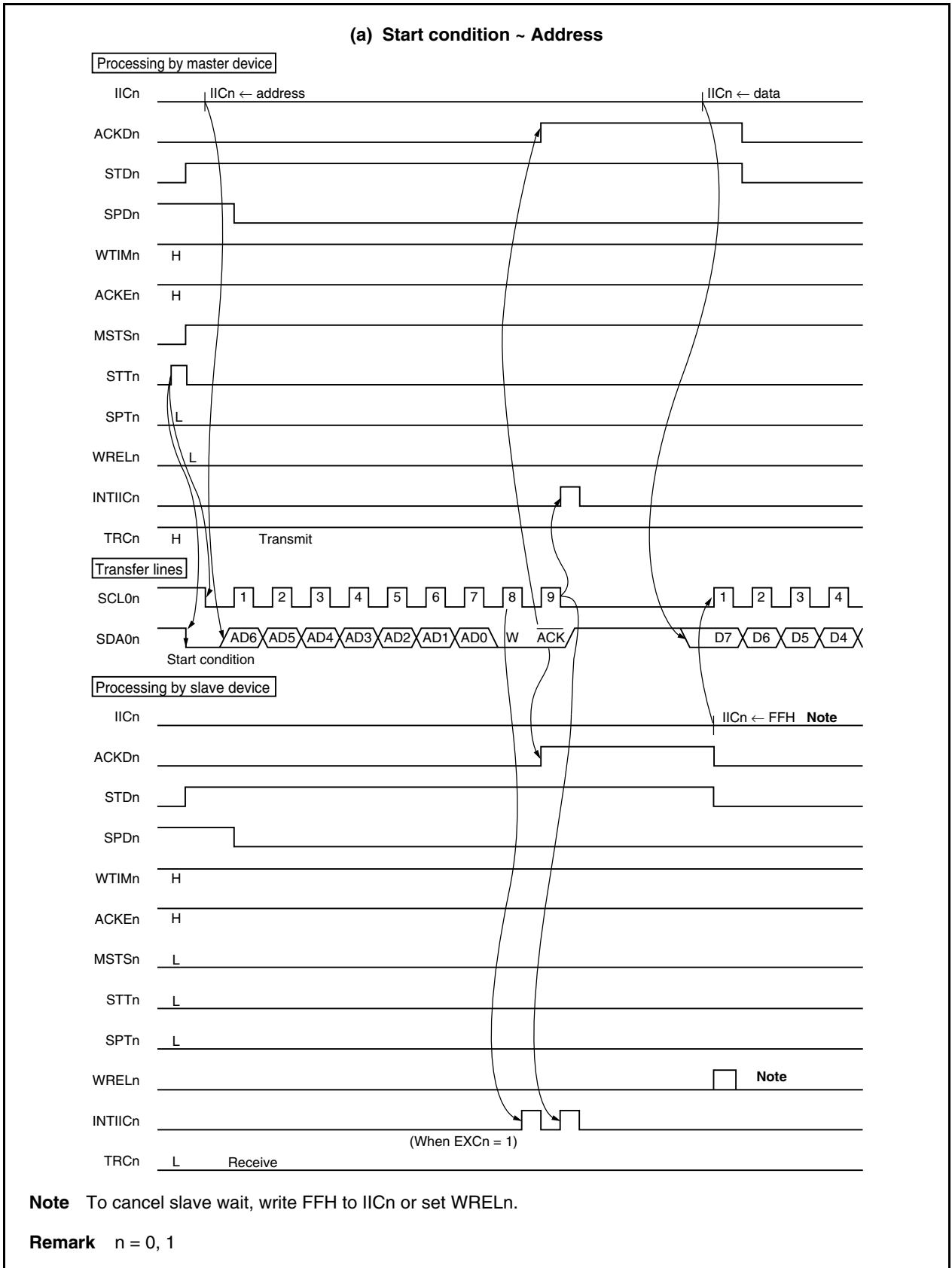
Data input via the SDA0n pin is captured by the IICn register at the rising edge of the SCL0n pin.

The data communication timing is shown below.

**Remark** n = 0, 1

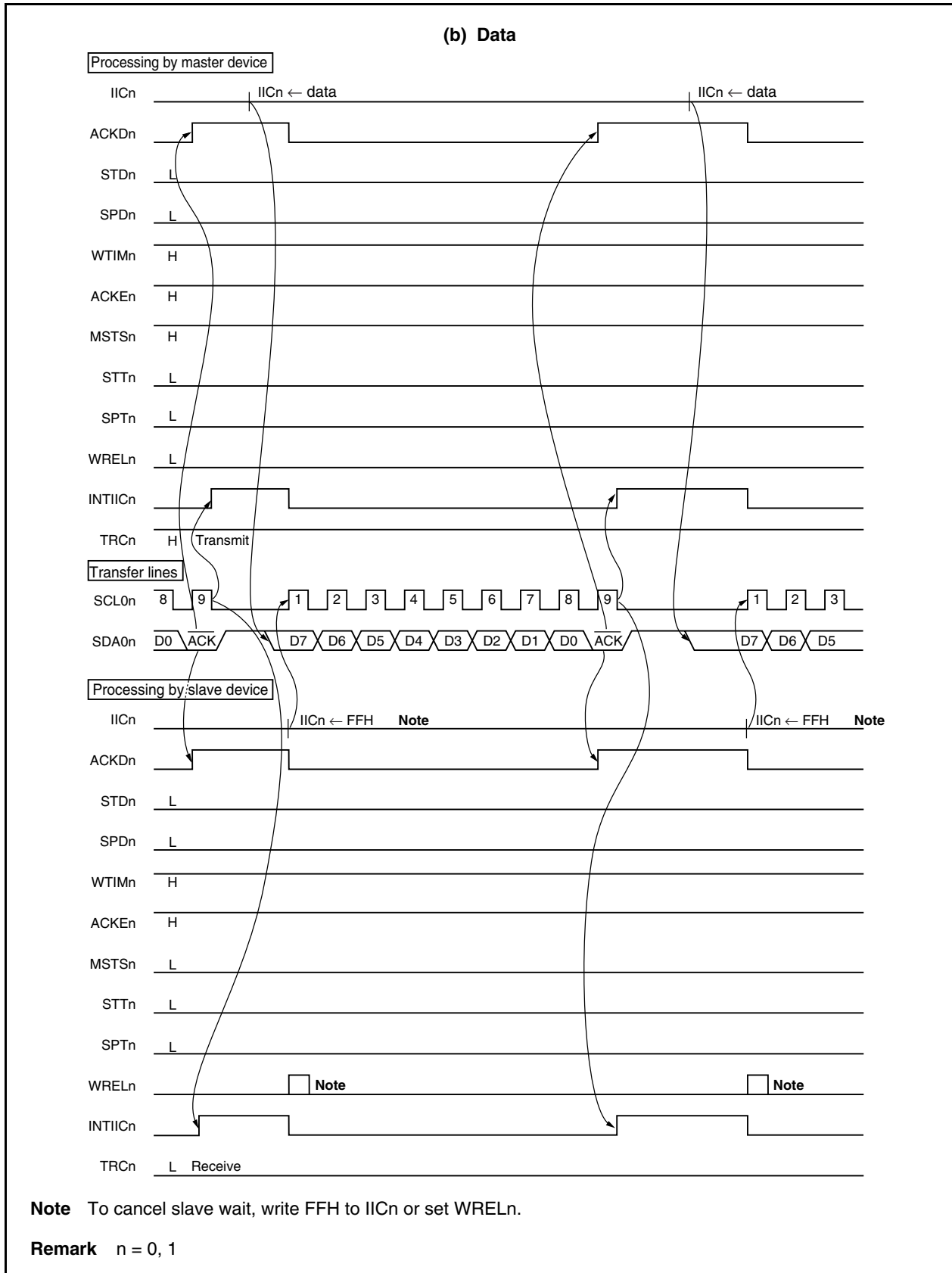
<R>

**Figure 15-21. Example of Master to Slave Communication  
(When 9-Clock Wait Is Selected for Both Master and Slave) (1/3)**



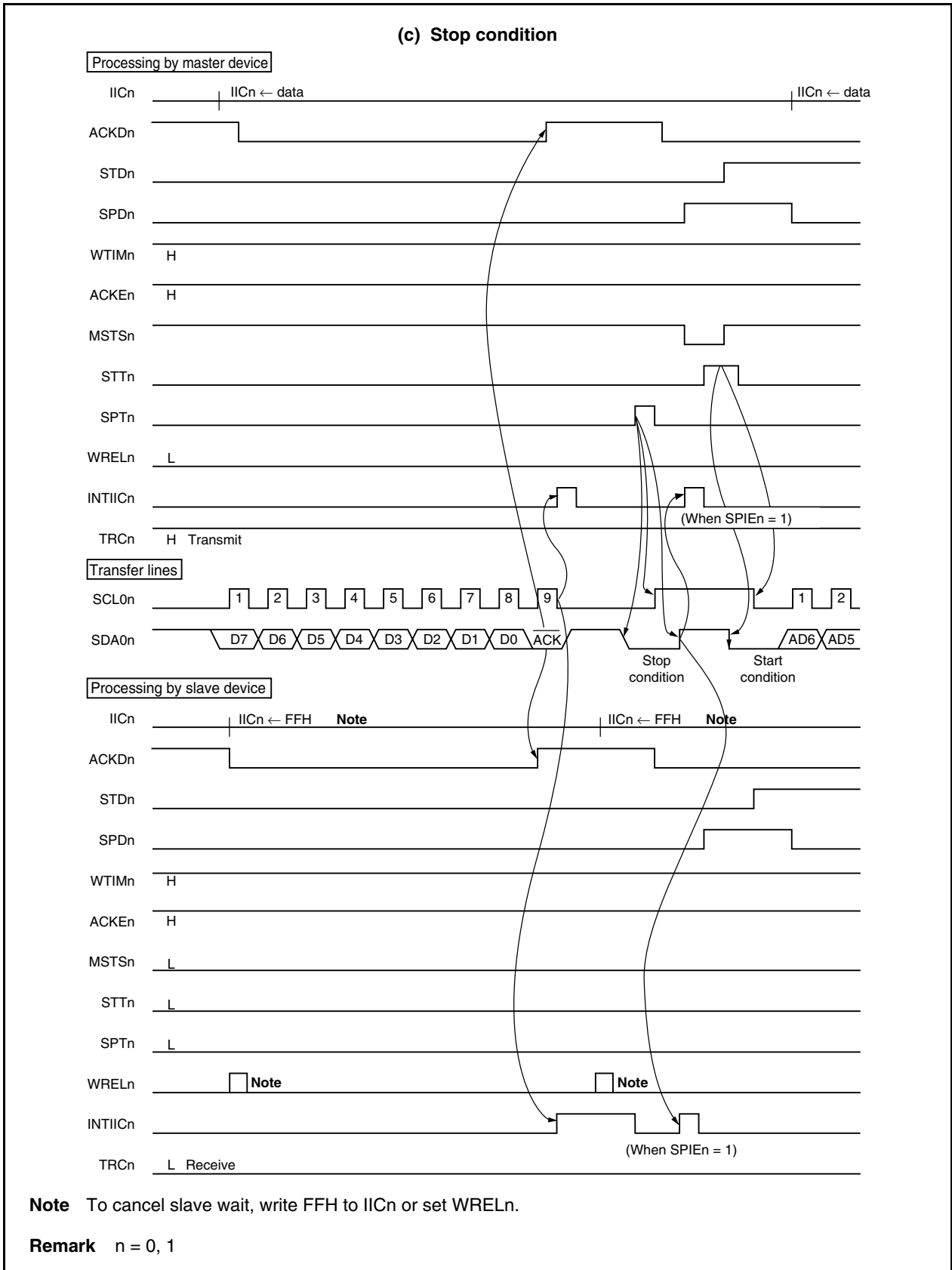
<R>

**Figure 15-21. Example of Master to Slave Communication  
(When 9-Clock Wait Is Selected for Both Master and Slave) (2/3)**



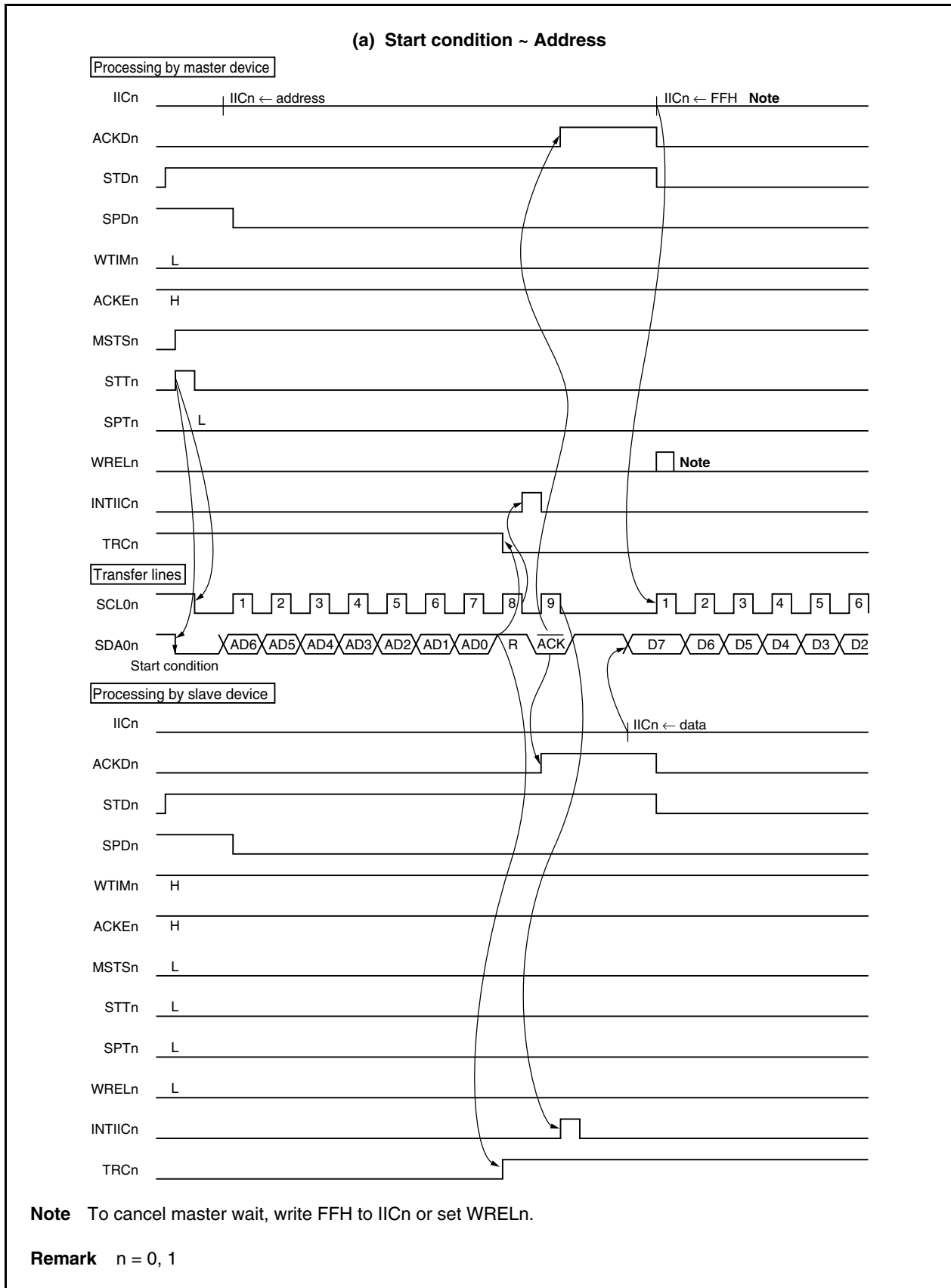
<R>

**Figure 15-21. Example of Master to Slave Communication  
(When 9-Clock Wait Is Selected for Both Master and Slave) (3/3)**



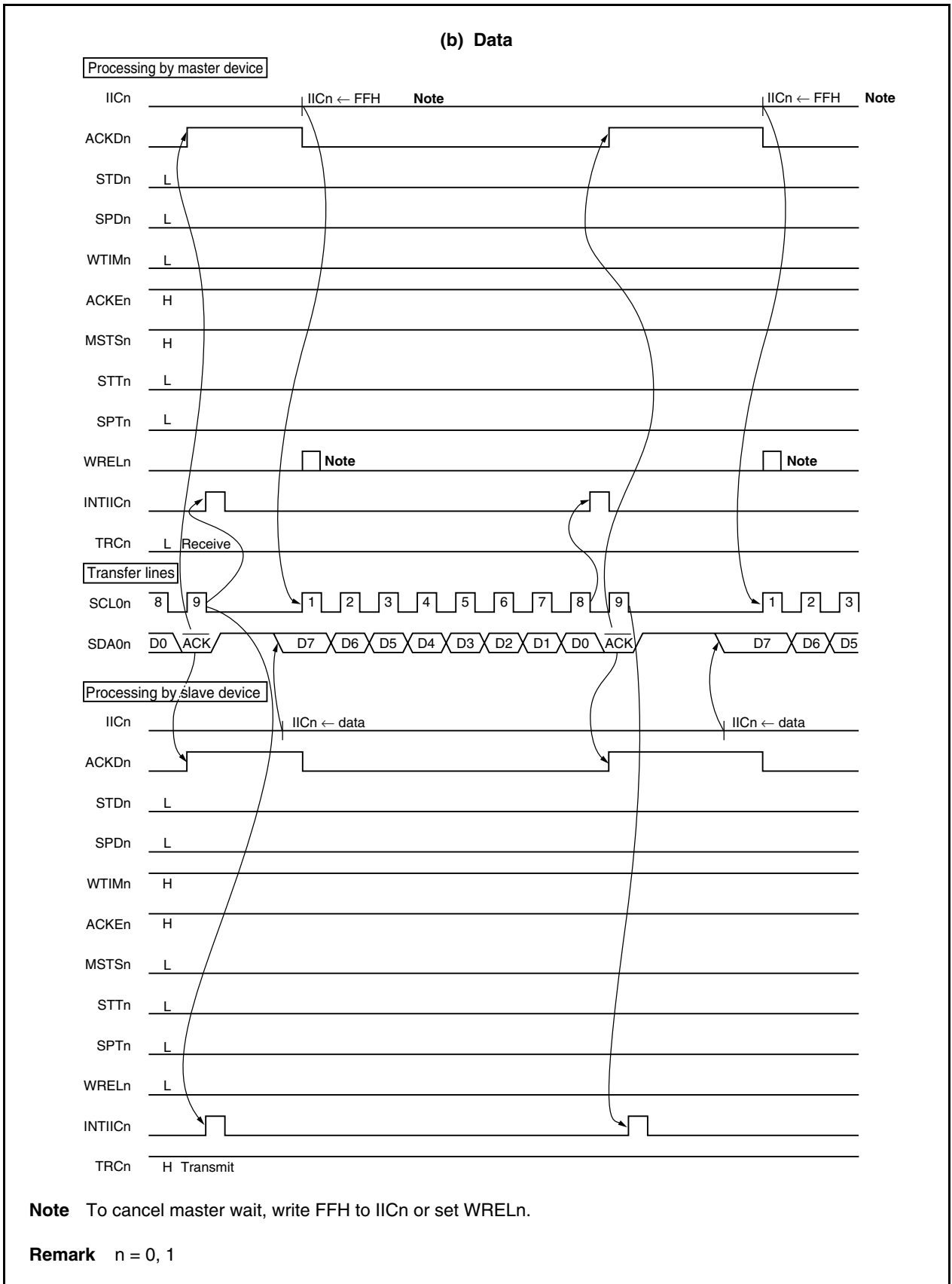
<R>

**Figure 15-22. Example of Slave to Master Communication**  
**(When 8-Clock Wait for Master and 9-Clock Wait for Slave Are Selected) (1/3)**



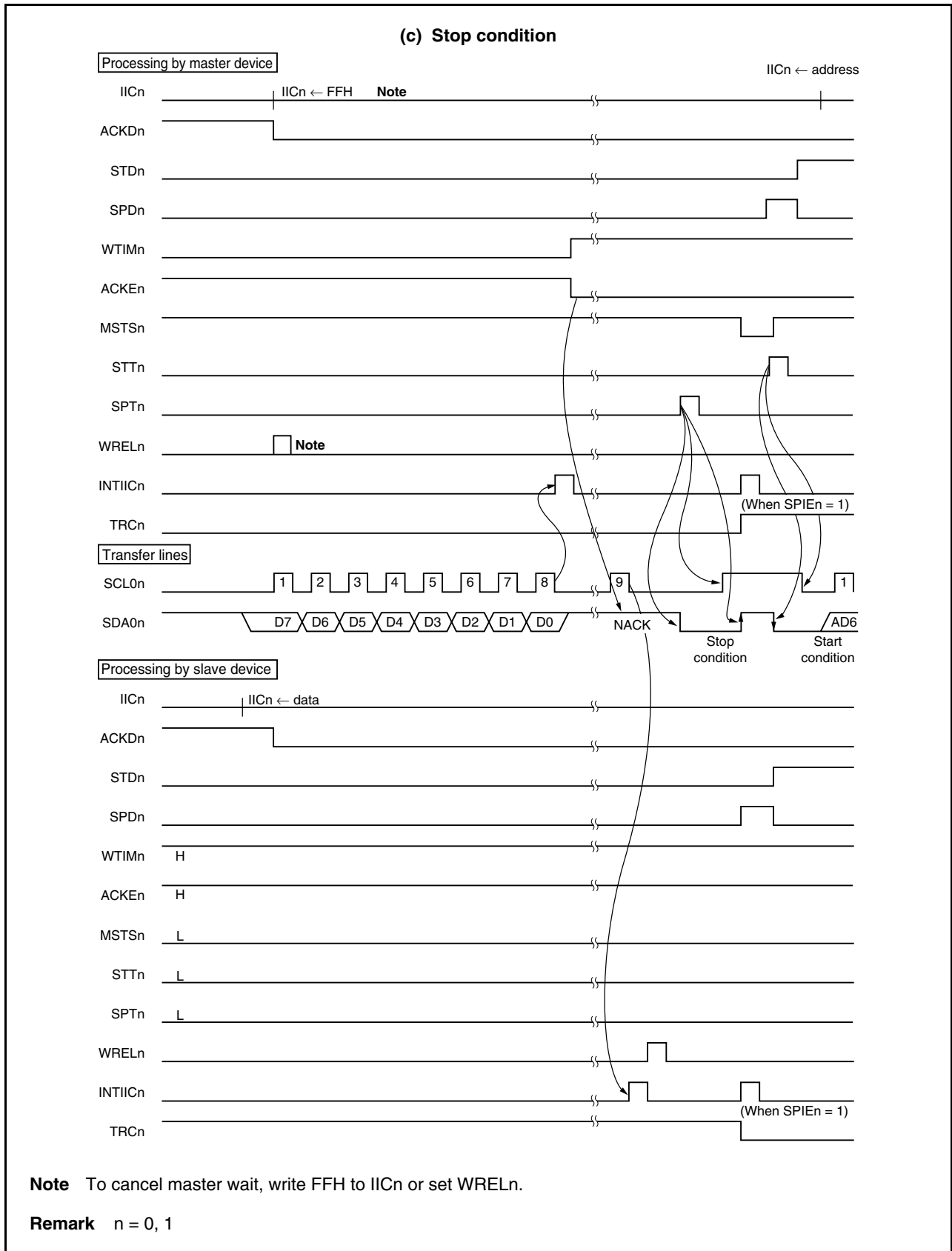
<R>

**Figure 15-22. Example of Slave to Master Communication**  
 (When 8-Clock Wait for Master and 9-Clock Wait for Slave Are Selected) (2/3)



<R>

**Figure 15-22. Example of Slave to Master Communication  
(When 8-Clock Wait for Master and 9-Clock Wait for Slave Are Selected) (3/3)**





## CHAPTER 16 IEBus CONTROLLER

IEBus (Inter Equipment Bus) is a small-scale digital data transfer system that transfers data between units.

The IEBus controller is provided only in the  $\mu$ PD703252Y.

To implement IEBus with the  $\mu$ PD703252Y, an external IEBus driver and receiver are necessary because they are not provided.

The internal IEBus controller of the  $\mu$ PD703252Y is of negative logic.

### 16.1 Functions

#### 16.1.1 Communication protocol of IEBus

The communication protocol of the IEBus is as follows.

##### (1) Multi-task mode

All the units connected to the IEBus can transfer data to the other units.

##### (2) Broadcasting communication function

Communication between one unit and multiple units can be performed as follows.

- Group-unit broadcast communication: Broadcast communication to group units
- All-unit broadcast communication: Broadcast communication to all units.

##### (3) Effective transfer rate

The effective transfer rate is in mode 1 or mode 2 (the  $\mu$ PD703252Y do not support mode 0 for the effective transfer rate).

- Mode 1: Approx. 17 kbps
- Mode 2: Approx. 26 kbps

**Caution** Different modes must not be mixed on one IEBus.

##### (4) Communication mode

Data transfer is executed in half-duplex asynchronous communication mode.

##### (5) Access control: CSMA/CD (Carrier Sense Multiple Access with Collision Detection)

The priority of the IEBus is as follows:

- <1> Broadcast communication takes precedence over individual communication (communication from one unit to another).
- <2> The lower master address takes precedence.

##### (6) Communication scale

The communication scale of IEBus is as follows.

- Number of units: 50 MAX.
- Cable length: 150 m MAX. (when twisted pair cable is used)

**Caution** The communication scale in an actual system differs depending on the characteristics of the cables, etc., constituting the IEBus driver/receiver and IEBus.

### 16.1.2 Determination of bus mastership (arbitration)

An operation to occupy the bus is performed when a unit connected to the IEBus controls the other units. This operation is called arbitration.

When two or more units simultaneously start transmission, arbitration is used to grant one of the units the permission to occupy the bus.

Because only one unit is granted the bus mastership as a result of arbitration, the priority conditions of the bus are predetermined as follows.

**Caution** The bus mastership is released if communication is aborted.

#### (1) Priority by communication type

Broadcast communication (communication from one unit to multiple units) takes precedence over normal communication (communication from one unit to another).

#### (2) Priority by master address

If the communication type is the same, communication with the lower master address takes precedence.

A master address consists of 12 bits, with unit 000H having the highest priority and unit FFFH having the lowest priority.

### 16.1.3 Communication mode

The IEBus has three communication modes each having a different transfer rate. The  $\mu$ PD703252Y supports communication modes 1 and 2. The transfer rate and the maximum number of transfer bytes in one communication frame in communication modes 1 and 2 are as shown in Table 16-1.

**Table 16-1. Transfer Rate and Maximum Number of Transfer Bytes in Each Communication Mode**

| Communication Mode | Maximum Number of Transfer Bytes (Bytes/Frame) | Effective Transfer Rate (kbps) <sup>Note</sup> |
|--------------------|------------------------------------------------|------------------------------------------------|
| 1                  | 32                                             | Approx. 17                                     |
| 2                  | 128                                            | Approx. 26                                     |

**Note** The effective transfer rate when the maximum number of transfer bytes is transmitted.

Select the communication mode for each unit connected to the IEBus before starting communication. If the communication mode of the master unit and that of the partner unit (slave unit) are not the same, communication is not correctly executed.

### 16.1.4 Communication address

With the IEBus, each unit is assigned a specific 12-bit address. This communication address consists of the following identification numbers.

- Higher 4 bits: Group number (number to identify the group to which each unit belongs)
- Lower 8 bits: Unit number (number to identify each unit in a group)

**16.1.5 Broadcast communication**

Normally, transmission or reception is performed between the master unit and its partner slave unit on a one-to-one basis. During broadcast communication, however, two or more slave units exist and the master unit executes transmission to these slave units. Because two or more slave units exist, the NACK signal is returned by the communicating slave unit as an acknowledge bit.

Whether broadcast communication or normal communication is to be executed is selected by the broadcast bit (for this bit, see **16.1.6 (2) Broadcast bit**).

Broadcast communication is classified into two types: group-unit broadcast communication and all-unit broadcast communication. Group-unit broadcast and all-unit broadcast are identified by the value of the slave address (for the slave address, see **16.1.6 (4) Slave address field**).

**(1) Group-unit broadcast communication**

Broadcast communication is performed to the units in a group identified by the group number indicated by the higher 4 bits of the communication address.

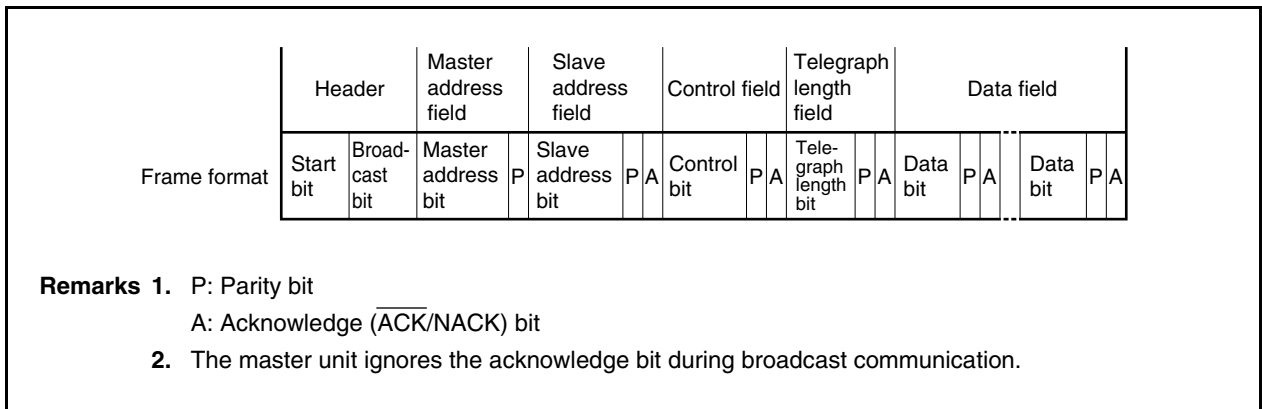
**(2) All-unit broadcast communication**

Broadcast communication is performed to all the units, regardless of the value of the group number.

**16.1.6 Transfer format of IEBus**

Figure 16-1 shows the transfer signal format of the IEBus.

**Figure 16-1. IEBus Transfer Signal Format**



**(1) Start bit**

The start bit is a signal that informs the other units of the start of data transfer. The unit that is to start data transfer outputs a high-level signal (start bit) from the  $\overline{\text{IETX}}$  pin for a specific time, and then starts outputting the broadcast bit.

If another unit has already output its start bit when one unit is to output the start bit, this unit does not output the start bit but waits for completion of output of the start bit by the other unit. When the output of the start bit by the other unit is complete, the unit starts outputting the broadcast bit in synchronization with the completion of the start bit output by the other unit.

The units other than the one that has started communication detect this start bit, and enter the reception status.

**(2) Broadcast bit**

This bit indicates whether the master selects one slave (individual communication) or multiple slaves (broadcast communication) as the other party of communication.

When the broadcast bit is 0, it indicates broadcast communication; when it is 1, individual communication is indicated. Broadcast communication is classified into two types: group-unit communication and all-unit communication. These communication types are identified by the value of the slave address (for the slave address, see **16.1.6 (4) Slave address field**).

Because two or more slave units exist as a partner slave unit of communication in the case of broadcast communication, the NACK signal is returned as an acknowledge bit in each field subsequent to the master address field.

If two or more units start transmitting a communication frame at the same time, broadcast communication takes precedence over individual communication, and wins in arbitration.

If one unit occupies the bus as the master, the value set to the broadcast request flag (BCR.ALLRQ bit) is output.

**(3) Master address field**

The master address field is output by the master to inform a slave of the master's address.

The configuration of the master address field is as shown in Figure 16-2.

If two or more units start transmitting the broadcast bit at the same time, the master address field makes a judgment of arbitration.

The master address field compares the data it outputs with the data on the bus each time it has output one bit. If the master address output by the master address field is found to be different from the data on the bus as a result of comparison, it is assumed that the master has lost in arbitration. As a result, the master stops transmission and enters the reception status.

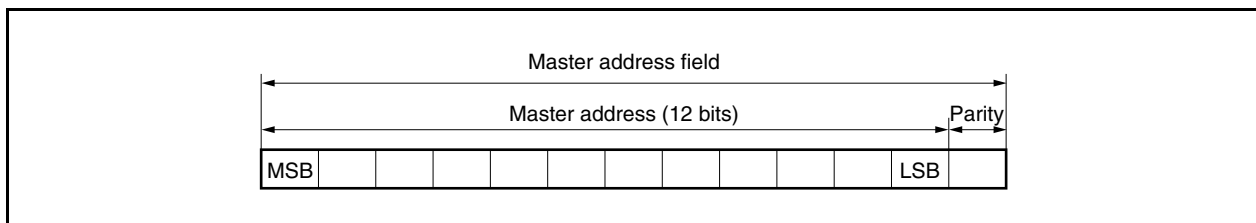
Because the IEBus is configured of wired AND, the unit having the minimum master address of the units participating in arbitration (arbitration masters) wins in arbitration.

After a 12-bit master address has been output, only one unit remains in the transmission status as one master unit.

Next, this master unit outputs a parity bit, determines the master address of other unit, and starts outputting a slave address field.

If one unit occupies the bus as the master, the address set by the UAR register is output.

**Figure 16-2. Master Address Field**



**(4) Slave address field**

The master outputs the address of the unit with which it is to communicate.

Figure 16-3 shows the configuration of the slave address field.

A parity bit is output after a 12-bit slave address has been transmitted in order to prevent a wrong slave address from being received by mistake. Next, the master unit detects an  $\overline{\text{ACK}}$  signal from the slave unit to confirm that the slave unit exists on the bus. When the master has detected the  $\overline{\text{ACK}}$  signal, it starts outputting the control field. During broadcast communication, however, the master does not confirm the acknowledge bit but starts outputting the control field.

The slave unit outputs the  $\overline{\text{ACK}}$  signal if its slave address matches and if the slave detects that the parities of both the master address and slave address are even. The slave unit judges that the master address or slave address has not been correctly received and outputs the NACK signal if the parities are odd. At this time, the master unit is in the standby (monitor) status, and communication ends.

During broadcast communication, the slave address is used to identify group-unit broadcast or all-unit broadcast, as follows:.

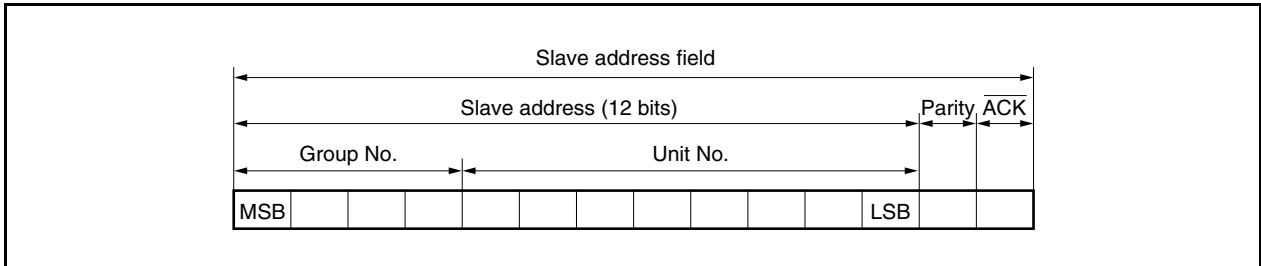
If slave address is FFFH: All-unit broadcast communication

If slave address is other than FFFH: Group-unit broadcast communication

**Remark** The group No. during group-unit broadcasting communication is the value of the higher 4 bits of the slave address.

If one unit occupies the bus as the master, the address set by the SAR register is output.

**Figure 16-3. Slave Address Field**



**(5) Control field**

The master outputs the operation it requires the slave to perform, by using this field.

The configuration of the control field is as shown in Figure 16-4.

If the parity following the control bit is even and if the slave unit can execute the function required by the master unit, the slave unit outputs an  $\overline{\text{ACK}}$  signal and starts outputting the telegraph length field. If the slave unit cannot execute the function required by the master unit even if the parity is even, or if the parity is odd, the slave unit outputs the NACK signal, and returns to the standby (monitor) status.

The master unit starts outputting the telegraph field after detecting the  $\overline{\text{ACK}}$  signal.

If the master can detect the NACK signal, the master unit enters the standby status, and communication ends. During broadcast communication, however, the master unit does not confirm the acknowledge bit, and starts outputting the telegraph length field.

The contents of the control bits are shown below.

**Table 16-2. Contents of Control Bits**

| Bit 3 <sup>Note 1</sup> | Bit 2 | Bit 1 | Bit 0 | Function                                            |
|-------------------------|-------|-------|-------|-----------------------------------------------------|
| 0                       | 0     | 0     | 0     | Read slave status                                   |
| 0                       | 0     | 0     | 1     | Undefined                                           |
| 0                       | 0     | 1     | 0     | Undefined                                           |
| 0                       | 0     | 1     | 1     | Read data and lock <sup>Note 2</sup>                |
| 0                       | 1     | 0     | 0     | Read lock address (lower 8 bits) <sup>Note 3</sup>  |
| 0                       | 1     | 0     | 1     | Read lock address (higher 4 bits) <sup>Note 3</sup> |
| 0                       | 1     | 1     | 0     | Read slave status and unlock <sup>Note 2</sup>      |
| 0                       | 1     | 1     | 1     | Read data                                           |
| 1                       | 0     | 0     | 0     | Undefined                                           |
| 1                       | 0     | 0     | 1     | Undefined                                           |
| 1                       | 0     | 1     | 0     | Write command and lock <sup>Note 2</sup>            |
| 1                       | 0     | 1     | 1     | Write data and lock <sup>Note 2</sup>               |
| 1                       | 1     | 0     | 0     | Undefined                                           |
| 1                       | 1     | 0     | 1     | Undefined                                           |
| 1                       | 1     | 1     | 0     | Write command                                       |
| 1                       | 1     | 1     | 1     | Write data                                          |

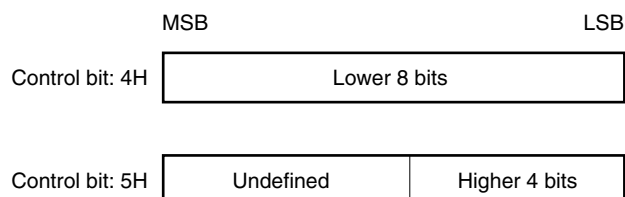
**Notes 1.** The telegraph length bit of the telegraph length field and data transfer direction of the data field change as follows depending on the value of bit 3 (MSB).

If bit 3 is '1': Transfer from master unit to slave unit

If bit 3 is '0': Transfer from slave unit to master unit

**2.** This is a control bit that specifies locking or unlocking (see **16.1.7 (4) Locking and unlocking**).

**3.** The lock address is transferred in 1-byte (8-bit) units and is configured as follows:



If the control bit received from the master unit is not as shown in Table 16-3, the unit locked by the master unit rejects acknowledging the control bit, and outputs the NACK signal.

**Table 16-3. Control Field for Locked Slave Unit**

| Bit 3 | Bit 2 | Bit 1 | Bit 0 | Function                          |
|-------|-------|-------|-------|-----------------------------------|
| 0     | 0     | 0     | 0     | Read slave status                 |
| 0     | 1     | 0     | 0     | Read lock address (lower 8 bits)  |
| 0     | 0     | 0     | 1     | Read lock address (higher 4 bits) |

Moreover, units for which lock is not set by the master unit reject acknowledgment and output a NACK signal when the control data shown in Table 16-4 is acknowledged.

**Table 16-4. Control Field for Unlocked Slave Unit**

| Bit 3 | Bit 2 | Bit 1 | Bit 0 | Function                          |
|-------|-------|-------|-------|-----------------------------------|
| 0     | 1     | 0     | 0     | Lock address read (lower 8 bits)  |
| 0     | 1     | 0     | 1     | Lock address read (higher 4 bits) |

If one unit occupies the bus as the master, the value set to the CDR register is output.

**Figure 16-4. Control Field**

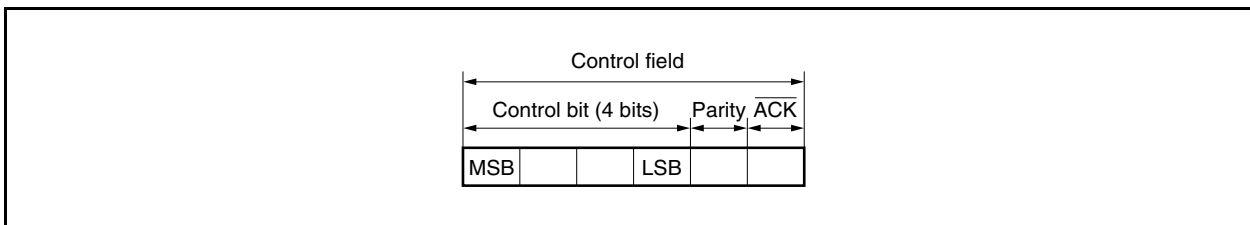


Table 16-5. Acknowledge Signal Output Condition of Control Field

## (a) If received control data is AH, BH, EH, or FH

| Communication Type<br>(USR.ALLTRANS bit)<br>Individual<br>Communication = 0<br>Broadcast<br>Communication = 1 | Communication Target<br>(USR.SLVRQ bit)<br>Slave Specification = 1<br>No Specification = 0 | Lock Status<br>(USR.LOCK bit)<br>Lock = 1<br>Unlock = 0 | Master Unit<br>Identification (Match<br>with PAR register)<br>Lock Request Unit = 1<br>Other = 0 | Slave Transmission<br>Enable<br>(BCR.ENSLVTX bit) | Slave Reception<br>Enable<br>(BCR.ENSLVRX bit) | Received Control Data |    |    |    |
|---------------------------------------------------------------------------------------------------------------|--------------------------------------------------------------------------------------------|---------------------------------------------------------|--------------------------------------------------------------------------------------------------|---------------------------------------------------|------------------------------------------------|-----------------------|----|----|----|
|                                                                                                               |                                                                                            |                                                         |                                                                                                  |                                                   |                                                | AH                    | BH | EH | FH |
| 0                                                                                                             | 1                                                                                          | 0                                                       | don't care                                                                                       | don't care                                        | 1                                              | ○                     |    |    |    |
|                                                                                                               |                                                                                            | 1                                                       | 1                                                                                                |                                                   |                                                |                       |    |    |    |
| Other than above                                                                                              |                                                                                            |                                                         |                                                                                                  |                                                   |                                                | ×                     |    |    |    |

## (b) If received control data is 0H, 3H, 4H, 5H, 6H, or 7H

| Communication Type<br>(USR.ALLTRANS bit)<br>Individual<br>Communication = 0<br>Broadcast<br>Communication = 1 | Communication Target<br>(USR.SLVRQ bit)<br>Slave Specification = 1<br>No Specification = 0 | Lock Status<br>(USR.LOCK bit)<br>Lock = 1<br>Unlock = 0 | Master Unit<br>Identification (Match<br>with PAR register)<br>Lock Request Unit = 1<br>Other = 0 | Slave Transmission<br>Enable<br>(BCR.ENSLVTX bit) | Slave Reception<br>Enable<br>(BCR.ENSLVRX bit) | Received Control Data |    |    |    |    |    |
|---------------------------------------------------------------------------------------------------------------|--------------------------------------------------------------------------------------------|---------------------------------------------------------|--------------------------------------------------------------------------------------------------|---------------------------------------------------|------------------------------------------------|-----------------------|----|----|----|----|----|
|                                                                                                               |                                                                                            |                                                         |                                                                                                  |                                                   |                                                | 0H                    | 3H | 4H | 5H | 6H | 7H |
| 0                                                                                                             | 1                                                                                          | 0                                                       | don't care                                                                                       | 0                                                 | don't care                                     | ○                     | ×  | ×  | ×  | ○  | ×  |
|                                                                                                               |                                                                                            |                                                         |                                                                                                  | 1                                                 |                                                | ○                     | ○  | ×  | ×  | ○  | ○  |
|                                                                                                               |                                                                                            | 1                                                       | 0                                                                                                | ○                                                 |                                                | ×                     | ○  | ○  | ×  | ×  |    |
|                                                                                                               |                                                                                            |                                                         | 1                                                                                                | 0                                                 |                                                | ○                     | ×  | ○  | ○  | ○  | ×  |
|                                                                                                               |                                                                                            |                                                         |                                                                                                  | 1                                                 |                                                | ○                     | ○  | ○  | ○  | ○  | ○  |
| Other than above                                                                                              |                                                                                            |                                                         |                                                                                                  |                                                   |                                                | ×                     |    |    |    |    |    |

**Caution** If the received control data is other than the data shown in Table 16-5, × (NACK signal is returned) is unconditionally assumed.

**Remark** ○:  $\overline{\text{ACK}}$  signal is returned.  
 ×: NACK signal is returned.



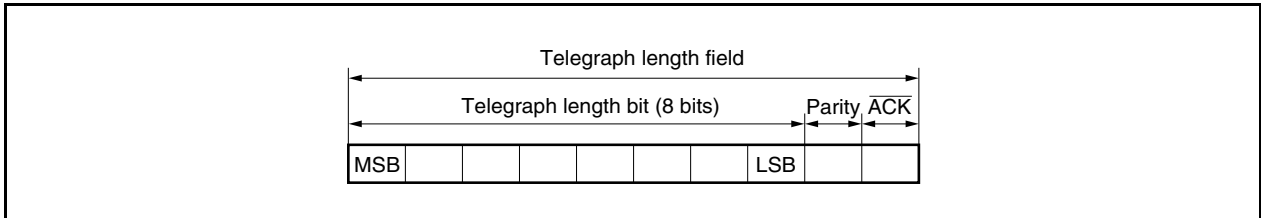
**(6) Telegraph length field**

This field is output by the transmission side to inform the reception side of the number of bytes of the transmit data.

The configuration of the telegraph length field is as shown in Figure 16-5.

Table 16-6 shows the relationship between the telegraph length bit and the number of transmit data.

**Figure 16-5. Telegraph Length Field**



**Table 16-6. Contents of Telegraph Length Bit**

| Telegraph Length Bit (Hex) | Number of Transmit Data Bytes |
|----------------------------|-------------------------------|
| 01H                        | 1 byte                        |
| 02H                        | 2 bytes                       |
|                            |                               |
| FFH                        | 255 bytes                     |
| 00H                        | 256 bytes                     |

The operation of the telegraph length field differs depending on whether the master transmits data (when control bit 3 is 1) or receives data (when control bit 3 is 0).

**(a) When master transmits data**

The telegraph length bit and parity bit are output by the master unit and the synchronization signals of bits are output by the master unit. When the slave unit detects that the parity is even, it outputs the  $\overline{\text{ACK}}$  signal, and starts outputting the data field. During broadcast communication, however, the slave unit outputs the NACK signal.

If the parity is odd, the slave unit judges that the telegraph length bit has not been correctly received, outputs the NACK signal, and returns to the standby (monitor) status. At this time, the master unit also returns to the standby status, and communication ends.

**(b) When master receives data**

The telegraph length bit and parity bit are output by the slave unit and the synchronization signals of bits are output by the master unit. If the master unit detects that the parity bit is even, it outputs the  $\overline{\text{ACK}}$  signal.

If the parity bit is odd, the master unit judges that the telegraph length bit has not been correctly received, outputs the NACK signal, and returns to the standby status. At this time, the slave unit also returns to the standby status, and communication ends.

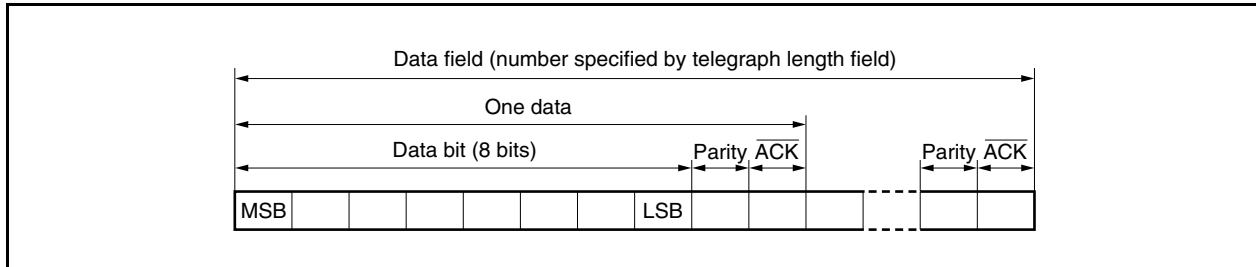
**(7) Data field**

This is data output by the transmission side.

The master unit transmits or receives data to or from a slave unit by using the data field.

The configuration of the data field is as shown below.

**Figure 16-6. Data Field**



Following the data bit, the parity bit and acknowledge bit are respectively output by the master unit and slave unit.

Use broadcast communication only for when the master unit transmits data. At this time, the acknowledge bit is ignored.

The operation differs as follows depending on whether the master transmits or receives data.

**(a) When master transmits data**

When the master unit writes data to a slave unit, the master unit transmits the data bit and parity bit to the slave unit. If the parity is even and the receive data is not stored in the DR register when the slave unit has received the data bit and parity bit, the slave unit outputs an  $\overline{\text{ACK}}$  signal. If the parity is odd or if the receive data is stored in the DR register, the slave unit rejects receiving the data, and outputs the NACK signal.

If the slave unit outputs the NACK signal, the master unit transmits the same data again. This operation continues until the master detects the  $\overline{\text{ACK}}$  signal from the slave unit, or the data exceeds the maximum number of transmit bytes.

If there is more data and the maximum number of transmit bytes is not exceeded when the parity is even and when the slave unit outputs the  $\overline{\text{ACK}}$  signal, the master unit transmits the next data.

During broadcast communication, the slave unit outputs the NACK signal, and the master unit transfers 1 byte of data at a time. If the parity is odd or the DR register is storing receive data after the slave unit has received the data bit and parity bit during broadcast communication, the slave unit judges that reception has not been performed correctly, and stops reception.

**(b) When master receives data**

When the master unit reads data from a slave unit, the master unit outputs a sync signal corresponding to all the read bits.

The slave unit outputs the contents of the data and parity bits to the bus in response to the sync signal from the master unit.

The master unit reads the data and parity bits output by the slave unit, and checks the parity.

If the parity is odd, or if the DR register is storing a receive data, the master unit rejects accepting the data, and outputs the NACK signal. If the maximum number of transmit bytes is within the value that can be transmitted in one communication frame, the master unit repeats reading the same data.

If the parity is even and the DR register is not storing a receive data, the master unit accepts the data and outputs the  $\overline{\text{ACK}}$  signal. If the maximum number of transmit bytes is within the value that can be transmitted in one frame, the master unit reads the next data.

**Caution Do not operate master reception in broadcast communication, because the slave unit cannot be defined and data transfer cannot be performed correctly.**

**(8) Parity bit**

The parity bit is used to check to see if the transmit data has no error.

The parity bit is appended to each data of the master address, slave address, control, telegraph length, and data bits.

The parity is an even parity. If the number of bits in data that are '1' is odd, the parity bit is '1'. If the number of bits in the data that are '1' is even, the parity bit is '0'.

**(9) Acknowledge bit**

During normal communication (communication from one unit to another), an acknowledge bit is appended to the following locations to check if the data has been correctly received.

- End of slave address field
- End of control field
- End of telegraph length field
- End of data field

The definition of the acknowledge bit is as follows.

- 0: Indicates that the transmit data is recognized ( $\overline{\text{ACK}}$  signal).
- 1: Indicates that the transmit data is not recognized (NACK signal).

During broadcast communication, however, the contents of the acknowledge bit are ignored.

**(a) Last acknowledge bit of slave field**

The last acknowledge bit of the slave field serves as a NACK signal in any of the following cases, and transmission is stopped.

- If the parity of the master address bit or slave address bit is incorrect
- If a timing error (error in bit format) occurs
- If a slave unit does not exist

**(b) Last acknowledge bit of control field**

The last acknowledge bit of the control field serves as a NACK signal in any of the following cases, and transmission is stopped.

- If the parity of the control bit is incorrect
- If control bit 3 is '1' (write operation) when the slave reception enable flag (BCR.ENSLVRX bit) is not set (1)<sup>Note</sup>
- If the control bit indicates reading of data (3H or 7H) when the slave transmission enable flag (BCR.ENSLVTX bit) is not set (1)
- If a unit other than that has set locking requests 3H, 6H, 7H, AH, BH, EH, or FH of the control bit when locking is set
- If the control bit indicates reading of lock addresses (4H, 5H) even when locking is not set
- If a timing error occurs
- If the control bit is undefined

**Cautions 1.** The  $\overline{\text{ACK}}$  signal is always returned when the control data of the slave status request is received, even if the ENSLVTX bit = 0.

**2.** The NACK signal is returned by the acknowledge bit in the control field when the control data for data/command writing is received, even if the ENSLVRX bit = 0.

Slave reception can be disabled (communication stopped) by ENSLVRX bit only in the case of individual communication. In the case of broadcast communication, communication is maintained and the data request interrupt request signal (INTIE1) or IEBus end interrupt request signal (INTIE2) is generated.

**(c) Last acknowledge bit of telegraph length field**

The last acknowledge bit of the telegraph length field serves as a NACK signal in any of the following cases, and transmission is stopped.

- If the parity of the telegraph length bit is incorrect
- If a timing error occurs

**(d) Last acknowledge bit of data field**

The last acknowledge bit of the data field serves as a NACK signal in any of the following cases, and transmission is stopped.

- If the parity of the data bit is incorrect<sup>Note</sup>
- If a timing error occurs after the preceding acknowledge bit has been transmitted
- If the receive data is stored in the DR register and no more data can be received<sup>Note</sup>

**Note** In this case, when the communication executed is individual communication, if the maximum number of transmit bytes is within the value that can be transmitted in one frame, the transmission side executes transmission of that data field again. For broadcast communication, the transmission side does not execute transmission again, a communication error occurs on the reception side and reception stops.

16.1.7 Transfer data

(1) Slave status

The master unit can learn why the slave unit did not return the  $\overline{\text{ACK}}$  signal by reading the slave status.

The slave status is determined according to the result of the last communication the slave unit has executed.

All the slave units can supply information on the slave status.

The configuration of the slave status is shown below.

Figure 16-7. Bit Configuration of Slave Status

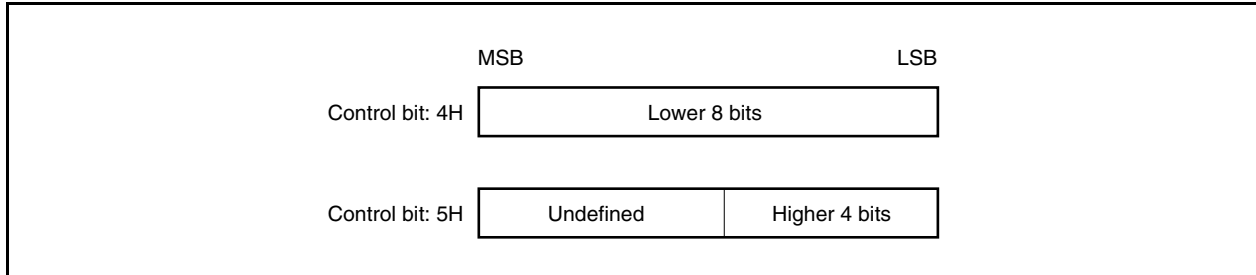
| MSB                     |       |                                             |                                                                      |       |       |       |       | LSB |  |
|-------------------------|-------|---------------------------------------------|----------------------------------------------------------------------|-------|-------|-------|-------|-----|--|
| Bit 7                   | Bit 6 | Bit 5                                       | Bit 4                                                                | Bit 3 | Bit 2 | Bit 1 | Bit 0 |     |  |
| Bit 0 <sup>Note 1</sup> |       | Function                                    |                                                                      |       |       |       |       |     |  |
| 0                       |       | Transmit data is not written in DR register |                                                                      |       |       |       |       |     |  |
| 1                       |       | Transmit data is written in DR register     |                                                                      |       |       |       |       |     |  |
| Bit 1 <sup>Note 2</sup> |       | Function                                    |                                                                      |       |       |       |       |     |  |
| 0                       |       | Receive data is not stored in DR register   |                                                                      |       |       |       |       |     |  |
| 1                       |       | Receive data is stored in DR register       |                                                                      |       |       |       |       |     |  |
| Bit 2                   |       | Function                                    |                                                                      |       |       |       |       |     |  |
| 0                       |       | Unit is not locked                          |                                                                      |       |       |       |       |     |  |
| 1                       |       | Unit is locked                              |                                                                      |       |       |       |       |     |  |
| Bit 3                   |       | Function                                    |                                                                      |       |       |       |       |     |  |
| 0                       |       | Fixed to 0                                  |                                                                      |       |       |       |       |     |  |
| Bit 4 <sup>Note 3</sup> |       | Function                                    |                                                                      |       |       |       |       |     |  |
| 0                       |       | Slave transmission is stopped               |                                                                      |       |       |       |       |     |  |
| 1                       |       | Slave transmission is ready                 |                                                                      |       |       |       |       |     |  |
| Bit 5                   |       | Function                                    |                                                                      |       |       |       |       |     |  |
| 0                       |       | Fixed to 0                                  |                                                                      |       |       |       |       |     |  |
| Bit 7                   | Bit 6 | Function                                    |                                                                      |       |       |       |       |     |  |
| 0                       | 0     | Mode 0                                      | Indicates the highest mode supported by the unit <sup>Note 4</sup> . |       |       |       |       |     |  |
| 0                       | 1     | Mode 1                                      |                                                                      |       |       |       |       |     |  |
| 1                       | 0     | Mode 2                                      |                                                                      |       |       |       |       |     |  |
| 1                       | 1     | Not used                                    |                                                                      |       |       |       |       |     |  |

- Notes**
1. After reset: Bit 0 is set to 1.
  2. The receive buffer size is 1 byte.
  3. When the V850ES/SG1 serves as a slave unit, this bit corresponds to the status indicated by BCR.ENSLVTX bit.
  4. Bits 7 and 6 are fixed to “10” because the  $\mu$ PD703252Y can support modes 1 and 2.

**(2) Lock address**

When the lock address is read (control bit: 4H or 5H), the address (12 bits) of the master unit that has issued the lock instruction is configured in 1-byte units as shown below and read.

**Figure 16-8. Configuration of Lock Address**

**(3) Data**

If the control bit indicates reading of data (3H or 7H), the data in the data buffer of the slave unit is read by the master unit.

If the control bit indicates writing of data (BH or FH), the data received by the slave unit is processed according to the operation rule of that slave unit.

**(4) Locking and unlocking**

The lock function is used when a message is transferred in two or more communication frames.

The unit that is locked does not receive data from units other than the one that has locked the unit (does not receive broadcast communication).

A unit is locked or unlocked as follows.

**(a) Locking**

If the communication frame is completed without succeeding to transmit or receive data of the number of bytes specified by the telegraph length bit after the telegraph length field has been transmitted or received ( $\overline{ACK} = 0$ ) by the control bit that specifies locking (3H, AH, or BH), the slave unit is locked by the master unit. At this time, the bit (bit 2) in the byte indicating the slave status is set to '1'.

**(b) Unlocking**

After transmitting or receiving data of the number of data bytes specified by the telegraph length bit in one communication frame by the control bit that has specified locking (3H, AH, or BH), or the control bit that has specified unlocking (6H), the slave unit is unlocked by the master unit. At this time, the bit related to locking (bit 2) in the byte indicating the slave status is reset to '0'.

Locking or unlocking is not performed during broadcast communication.

Locking and unlocking conditions are shown below.

**Table 16-7. Lock Setting Conditions**

| Control Data           | Broadcast Communication |                  | Individual Communication |                  |
|------------------------|-------------------------|------------------|--------------------------|------------------|
|                        | Communication End       | Frame End        | Communication End        | Frame End        |
| 3H, 6H <sup>Note</sup> | /                       | /                | Cannot be locked         | Lock set         |
| AH, BH                 | Cannot be locked        | Cannot be locked | Cannot be locked         | Lock set         |
| 0H, 4H, 5H, EH, FH     | Cannot be locked        | Cannot be locked | Cannot be locked         | Cannot be locked |

**Note** The frame end of control data 6H (slave status read/unlock) occurs when the parity in the data field is odd, and when the NACK signal from the IEBus unit is repeated up to the maximum number of transfer bytes with being output.

**Table 16-8. Unlock Release Conditions (While Locked)**

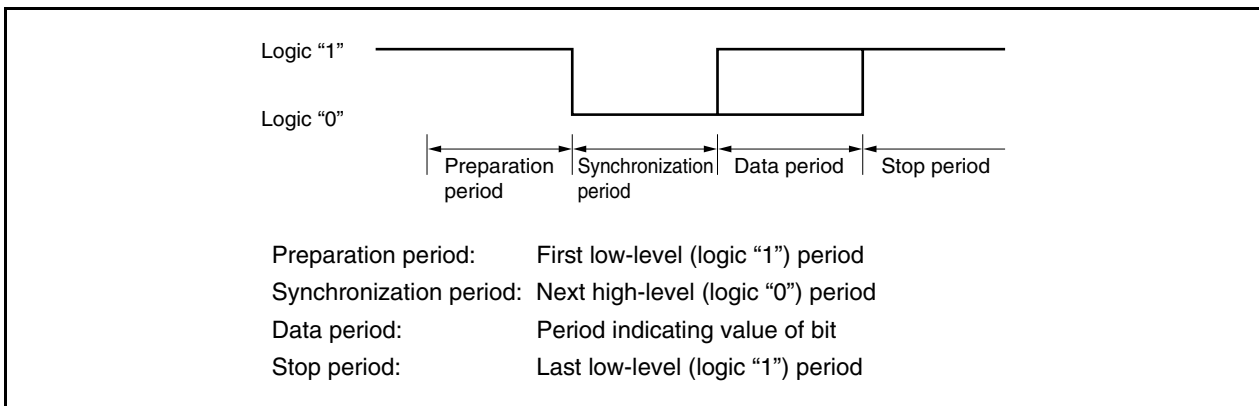
| Control Data           | Broadcast Communication from Lock Request Unit |                | Individual Communication from Lock Request Unit |                |
|------------------------|------------------------------------------------|----------------|-------------------------------------------------|----------------|
|                        | Communication End                              | Frame End      | Communication End                               | Frame End      |
| 3H, 6H <sup>Note</sup> | /                                              | /              | Unlocked                                        | Remains locked |
| AH, BH                 | Unlocked                                       | Unlocked       | Unlocked                                        | Remains locked |
| 0H, 4H, 5H, EH, FH     | Remains locked                                 | Remains locked | Remains locked                                  | Remains locked |

**Note** The frame end of control data 6H (slave status read/unlock) occurs when the parity in the data field is odd, and when the NACK signal from the IEBus unit is repeated up to the maximum number of transfer bytes with being output.

**16.1.8 Bit format**

The format of the bits constituting the communication frame of the IEBus is shown below.

**Figure 16-9. Bit Format of IEBus**



The synchronization period and data period are almost equal to each other in length.

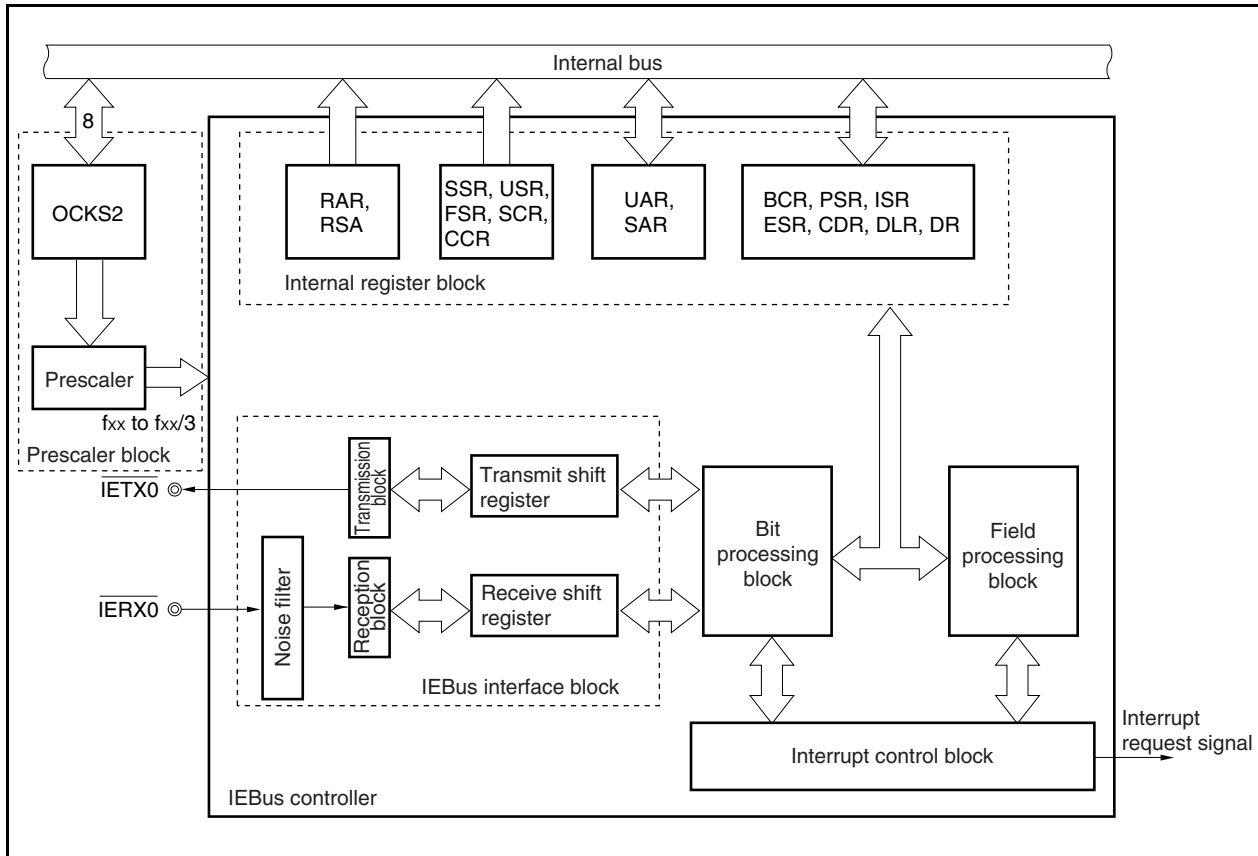
The IEBus synchronizes each bit. The specifications on the time of the entire bit and the time related to the period allocated to that bit differ depending on the type of the transmit bit, or whether the unit is the master unit or a slave unit.

The master and slave units monitor whether each period (preparation period, synchronization period, data period, and stop period) is output for specified time while they are in communication. If a period is not output for the specified time, the master and slave units report a timing error, immediately terminate communication and enter the standby status.

## 16.2 Configuration

The block diagram of the IEBus controller is shown below.

Figure 16-10. IEBus Controller Block Diagram



### (1) Hardware configuration and functions

IEBus mainly consists of the following six internal blocks.

- Interrupt control block
- Internal registers
- Bit processing block
- Field processing block
- IEBus interface block
- Prescaler block



**(a) Interrupt control block**

This control block transfers interrupt request signals from the IEBus controller to the CPU.

**(b) Internal registers**

These registers set data to the control registers and fields that control IEBus (for the internal registers, see **16.3 Registers**).

**(c) Bit processing block**

This block generates and breaks down bit timing, and mainly consists of a bit sequence ROM, 8-bit preset timer, and comparator.

**(d) Field processing block**

This block generates each field in the communication frame, and mainly consists of a field sequence ROM, 4-bit down counter, and comparator.

**(e) IEBus interface block**

This is the interface block for an external driver/receiver, and mainly consists of a noise filter, shift register, and transmission/reception block (collision detector, parity detector, parity generator, and  $\overline{\text{ACK/NACK}}$  generator).

**(f) Prescaler block**

This block selects the clock to be supplied to the IEBus controller.

### 16.3 Registers

The registers that control the IEBus controller are shown below.

**Table 16-9. Control Registers of IEBus Controller**

| Address    | Function Register Name               | Symbol | R/W | Bit Unit for Manipulation |   |    | After Reset |
|------------|--------------------------------------|--------|-----|---------------------------|---|----|-------------|
|            |                                      |        |     | 1                         | 8 | 16 |             |
| FFFFFF348H | IEBus clock select register          | OCKS2  | R/W |                           | √ |    | 00H         |
| FFFFFF360H | IEBus control register               | BCR    |     | √                         | √ |    |             |
| FFFFFF361H | IEBus power save register            | PSR    |     | √                         | √ |    |             |
| FFFFFF362H | IEBus slave status register          | SSR    | R   | √                         | √ |    | 81H         |
| FFFFFF363H | IEBus unit status register           | USR    |     | √                         | √ |    | 00H         |
| FFFFFF364H | IEBus interrupt status register      | ISR    | R/W | √                         | √ |    | 0000H       |
| FFFFFF365H | IEBus error status register          | ESR    |     | √                         | √ |    |             |
| FFFFFF366H | IEBus unit address register          | UAR    |     |                           |   | √  |             |
| FFFFFF368H | IEBus slave address register         | SAR    | R   |                           |   | √  | 0000H       |
| FFFFFF36AH | IEBus partner address register       | PAR    |     |                           |   | √  |             |
| FFFFFF36CH | IEBus receive slave address register | RSA    |     |                           |   | √  |             |
| FFFFFF36EH | IEBus control data register          | CDR    | R/W |                           | √ |    | 00H         |
| FFFFFF36FH | IEBus telegraph length register      | DLR    |     |                           | √ |    | 01H         |
| FFFFFF370H | IEBus data register                  | DR     |     |                           | √ |    | 00H         |
| FFFFFF371H | IEBus field status register          | FSR    | R   |                           | √ |    | 01H         |
| FFFFFF372H | IEBus success count register         | SCR    |     |                           | √ |    |             |
| FFFFFF373H | IEBus communication count register   | CCR    |     |                           | √ |    |             |

**(1) IEBus control register (BCR)**

The BCR register is an 8-bit register that controls the operations of the IEBus controller.

This register can be read or written in 8-bit or 1-bit units.

Reset sets this register to 00H.

After reset: 00H    R/W    Address: FFFFF360H

|     |         |       |       |         |         |   |   |   |
|-----|---------|-------|-------|---------|---------|---|---|---|
|     | <7>     | <6>   | <5>   | <4>     | <3>     | 2 | 1 | 0 |
| BCR | ENIEBUS | MSTRQ | ALLRQ | ENSLVTX | ENSLVRX | 0 | 0 | 0 |

|         |                           |
|---------|---------------------------|
| ENIEBUS | Communication enable flag |
| 0       | IEBus unit stopped        |
| 1       | IEBus unit active         |

|       |                                    |
|-------|------------------------------------|
| MSTRQ | Master request flag                |
| 0     | IEBus unit not requested as master |
| 1     | IEBus unit requested as master     |

|       |                                    |
|-------|------------------------------------|
| ALLRQ | Broadcast request flag             |
| 0     | Individual communication requested |
| 1     | Broadcast communication requested  |

|         |                                |
|---------|--------------------------------|
| ENSLVTX | Slave transmission enable flag |
| 0       | Slave transmission disabled    |
| 1       | Slave transmission enabled     |

|         |                             |
|---------|-----------------------------|
| ENSLVRX | Slave reception enable flag |
| 0       | Slave reception disabled    |
| 1       | Slave reception enabled     |

- Cautions 1.** While IEBus is operating as the master, writing to the BCR register (including bit manipulation instructions) is disabled until either the end of that communication or frame, or until communication is stopped by the occurrence of an arbitration-loss communication error. Master requests cannot therefore be multiplexed. However, the case when communication has been forcibly stopped (ENIEBUS flag = 0) is not problem.
- 2.** If a bit manipulation instruction for the BCR register conflicts with a hardware reset of the MSTRQ bit, the BCR register may not operate normally. The following countermeasures are recommended in this case.
- Because the hardware reset is instigated in the acknowledgment period of the slave address field, be sure to observe Caution 1 of (b) Master request flag (MSTRQ) below.
  - Be sure to observe the caution above regarding writing to the BCR register.

**(a) Communication enable flag (ENIEBUS)...Bit 7**

<Set/clear conditions>

Set: By software

Clear: By software

The IEBus controller participates in communication differently depending on the timing of setting the ENIEBUS bit (1), as follows.

**Table 16-10. Timing of Setting ENIEBUS Bit and Participation in Communication**

| Timing of Setting ENIEBUS Bit                                                              | How IEBus Controller Participates in Communication                                                                                                               |
|--------------------------------------------------------------------------------------------|------------------------------------------------------------------------------------------------------------------------------------------------------------------|
| If communication is not performed on IEBus                                                 | Participates in communication from the next frame or starts communication.                                                                                       |
| If other bus master is communicating start bit while communication is in progress on IEBus | Participates in communication from that frame if the start bit is detected. If the start bit is not detected, participates in communication from the next frame. |
| If communication is in progress on IEBus after start bit from other bus master is detected | Participates in communication from the next frame.                                                                                                               |

If the ENIEBUS bit is cleared (0), communication is immediately stopped even while it is in progress, and the internal flags and registers are reset, with some exceptions. The registers that are not reset by the ENIEBUS bit are listed in the table below.

The IEBus controller does not respond even if another unit starts communication when the ENIEBUS bit = 0.

**Table 16-11. Registers That Are Not Reset by ENIEBUS Bit**

| Registers Not Reset by ENIEBUS Bit | Remark                                                                              |
|------------------------------------|-------------------------------------------------------------------------------------|
| UAR                                | Not reset                                                                           |
| SAR                                | Not reset                                                                           |
| CDR                                | Data written from CPU is not reset but data received during communication is reset. |
| DLR                                | Data written from CPU is not reset but data received during communication is reset. |
| DR                                 | Data written from CPU is not reset but data received during communication is reset. |

**Caution** Before setting the ENIEBUS bit (1), the following registers must be set depending on the mode of communication to be started.

**Table 16-12. Registers That Must Be Set Before Each Communication**

| Mode of Communication              | Registers That Must Be Set in Advance            |
|------------------------------------|--------------------------------------------------|
| Master transmission                | UAR, SAR, CDR, DLR, DR (first 1-byte data)       |
| Master reception                   | UAR, SAR, CDR                                    |
| Slave transmission <sup>Note</sup> | UAR, DLR, DR (first 1-byte data) <sup>Note</sup> |
| Slave reception                    | UAR                                              |

**Note** When starting slave transmission, information such as the value to be set to the DLR register and which data is to be returned (value to be set to the DR register) must be assigned in advance.

**(b) Master request flag (MSTRQ)...Bit 6**

&lt;Set/clear conditions&gt;

Set: By software

Clear: Cleared (0) by hardware when master communication is started and immediately before the start interrupt of the master occurs.

Cleared (0) by hardware before a communication error occurs.

When the ENIEBUS bit is cleared.

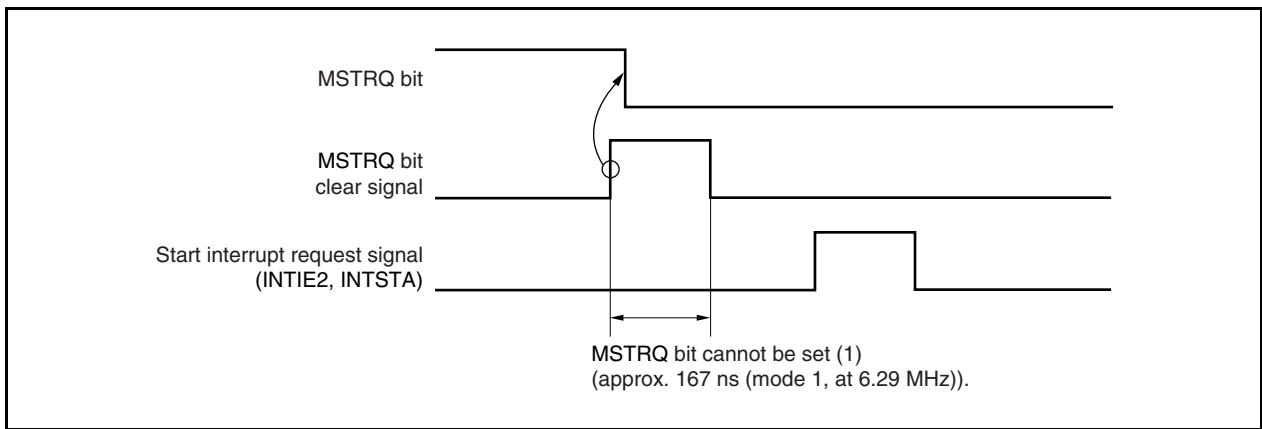
When the MSTRQ bit is set (1), the IEBus controller starts communication on IEBus as the master.

If communication is in progress on IEBus (if the start bit cannot be detected while the start bit is being communicated or if communication is in progress after the start bit has been detected), however, the controller waits until the current frame ends (holds the master request pending), outputs the start bit after the frame has ended, and starts communication as the master.

**Cautions 1. If the IEBus controller has lost in arbitration, issue the master request again by software.**

**In doing so, set (1) the MSTRQ bit at a timing other than that illustrated below.**

**Figure 16-11. Timing at Which MSTRQ Bit Cannot Be Set**



- 2. When a master request has been sent and bus mastership acquired, do not set the MSTRQ, ENSLVTX, or ENSLVRX bit until the end of communication (i.e. the communication end flag (ISR.ENDTRNS bit) or frame end flag (ISR.ENDFRAM bit) is set (1)) as setting these flags disables interrupt request signal generation. However, these flags can be set if communication has been aborted.**

**(c) Broadcast request flag (ALLRQ)...Bit 5**

&lt;Set/clear conditions&gt;

Set: By software

Clear: By software

**Caution When requesting broadcast communication, always set (1) the ALLRQ bit, then the MSTRQ bit.**

**(d) Slave transmission enable flag (ENSLVTX)...Bit 4**

<Set/clear conditions>

Set: By software

Clear: By software

- Cautions**
1. The ENSLVTX bit must be set before the parity bit in the control field is received.
  2. Clear the ENSLVTX bit (0) before setting the MSTRQ bit (1) when making a master request. This is to avoid transmission of the data of the DR register that tries master transmission if the controller loses in arbitration after master operation and if slave transmission is requested by the master.
  3. When returning to an enabled state from a disabled state, transmission becomes valid from the next frame.
  4. If control data (3H or 7H) for data/command writing is received when the ENSLVTX bit = 0, the NACK signal is returned by the acknowledge bit in the control field.
  5. The status interrupt request signals (INTIE2, INTSTA) will be generated and communication continued when the control data of a slave status request is returned, even if the ENSLVTX bit = 0.

**(e) Slave reception enable flag (ENSLVRX)...Bit 3**

<Set/clear conditions>

Set: By software

Clear: By software

- Cautions**
1. The ENSLVRX bit must be set before the parity bit in the control field is received.
  2. While the CPU is busy with other processing, slave reception can be prevented by clearing the ENSLVRX bit (0). During individual communication, the NACK signal is returned in the control field and communication is completed. During broadcast communication, communication cannot be completed because the acknowledge bit is ignored. However, the IEBus controller does not respond to the broadcast communication and does not generate an interrupt request signal.
  3. When returning to an enabled state from a disabled state, transmission becomes valid from the next frame.

**(2) IEBus power save register (PSR)**

The PSR register is an 8-bit register that controls the internal clock and communication mode of the IEBus controller.

This register can be read or written in 8-bit or 1-bit units.

Reset sets this register to 00H.

After reset: 00H R/W Address: FFFFF361H

|     |       |        |   |   |   |   |   |   |
|-----|-------|--------|---|---|---|---|---|---|
|     | <7>   | <6>    | 5 | 4 | 3 | 2 | 1 | 0 |
| PSR | ENCLK | IEMODE | 0 | 0 | 0 | 0 | 0 | 0 |

|       |                                           |
|-------|-------------------------------------------|
| ENCLK | Internal clock operation enable flag      |
| 0     | Stop internal clock of IEBus controller   |
| 1     | Enable internal clock of IEBus controller |

|        |                                       |
|--------|---------------------------------------|
| IEMODE | IEBus communication mode setting flag |
| 0      | Set communication mode 1              |
| 1      | Set communication mode 2              |

- Cautions**
1. Do not set the PSR register while communication is enabled (BCR.ENIEBUS bit = 1).
  2. Be sure to clear bits 5 to 0 to “0”.

**(3) IEBus slave status register (SSR)**

The SSR register is an 8-bit register that indicates the communication status of the slave unit. After receiving a slave status transmission request from the master, read this register by software, and write a slave status to the DR register to transmit the slave status. At this time, the telegraph length is automatically set to "01H", so setting of the DLR register is not required (because it is preset by hardware).

Bits 6 and 7 indicate the highest mode supported by the unit, and are fixed to "10" (mode 2).

This register is read-only, in 8-bit or 1-bit units.

Reset sets this register to 81H.

|                    |                                         |                                |   |         |   |          |        |        |
|--------------------|-----------------------------------------|--------------------------------|---|---------|---|----------|--------|--------|
| After reset: 81H R |                                         | Address: FFFFF362H             |   |         |   |          |        |        |
|                    | 7                                       | 6                              | 5 | <4>     | 3 | <2>      | <1>    | <0>    |
| SSR                | 1                                       | 0                              | 0 | STATSLV | 0 | STATLOCK | STATRX | STATTX |
| STATSLV            |                                         | Slave transmission status flag |   |         |   |          |        |        |
| 0                  | Slave transmission stops                |                                |   |         |   |          |        |        |
| 1                  | Slave transmission enabled              |                                |   |         |   |          |        |        |
| STATLOCK           |                                         | Lock status flag               |   |         |   |          |        |        |
| 0                  | Unlock status                           |                                |   |         |   |          |        |        |
| 1                  | Lock status                             |                                |   |         |   |          |        |        |
| STATRX             |                                         | DR register receive status     |   |         |   |          |        |        |
| 0                  | Receive data not stored in DR register  |                                |   |         |   |          |        |        |
| 1                  | Receive data stored in DR register      |                                |   |         |   |          |        |        |
| STATTX             |                                         | DR register transmit status    |   |         |   |          |        |        |
| 0                  | Transmit data not stored in DR register |                                |   |         |   |          |        |        |
| 1                  | Transmit data stored in DR register     |                                |   |         |   |          |        |        |

**(a) Slave transmission status flag (STATSLV)...Bit 4**

Reflects the contents of the slave transmission enable flag (BCR.ENSLVTX bit).

**(b) Lock status flag (STATLOCK)...Bit 2**

Reflects the contents of the lock flag (USR.LOCK bit).

**(c) DR register reception status (STATRX)...Bit 1**

This flag indicates the DR register reception state.

**(d) DR register transmission status (STATTX)...Bit 0**

This flag indicates the DR register transmission state.



**(4) IEBus unit status register (USR)**

The USR register is an 8-bit register that indicates the IEBus unit status.

This register is read-only, in 8-bit or 1-bit units.

Reset sets this register to 00H.

After reset: 00H R Address: FFFFF363H

|     |   |       |       |         |     |      |   |   |
|-----|---|-------|-------|---------|-----|------|---|---|
|     | 7 | <6>   | <5>   | <4>     | <3> | 2    | 1 | 0 |
| USR | 0 | SLVRQ | ARBIT | ALLTRNS | ACK | LOCK | 0 | 0 |

|       |                                 |
|-------|---------------------------------|
| SLVRQ | Slave request flag              |
| 0     | No request from master to slave |
| 1     | Request from master to slave    |

|       |                               |
|-------|-------------------------------|
| ARBIT | Arbitration result flag       |
| 0     | Arbitration loss not occurred |
| 1     | Arbitration loss occurred     |

|         |                                 |
|---------|---------------------------------|
| ALLTRNS | Broadcast communication flag    |
| 0       | Individual communication status |
| 1       | Broadcast communication status  |

|     |                                            |
|-----|--------------------------------------------|
| ACK | Acknowledge transmission flag              |
| 0   | NACK signal transmitted                    |
| 1   | $\overline{\text{ACK}}$ signal transmitted |

|      |                  |
|------|------------------|
| LOCK | Lock status flag |
| 0    | Unit unlocked    |
| 1    | Unit locked      |

**(a) Slave request flag (SLVRQ)...Bit 6**

A flag indicating whether there has been a slave request from the master.

<Set/clear conditions>

**Set:** When the unit is requested as a slave (if the condition in **Table 16-13 Slave Request Condition (SLVRQ Bit Setting Condition)** is satisfied), this flag is set (1) by hardware when the acknowledge period of the slave address field starts.

**Clear:** This flag is cleared (0) by hardware when the unit is not requested as a slave (if the condition in **Table 16-13 Slave Request Condition (SLVRQ Bit Setting Condition)** is not satisfied). The reset timing is the same as the set timing. If the unit is requested as a slave immediately after communication has been correctly received (when the SLVRQ bit = 1), and if a parity error occurs in the slave address field for that communication, the flag is not cleared.

**Table 16-13. Slave Request Condition (SLVRQ Bit Setting Condition)**

| Status of Unit | Received Master Address | Communication Mode | Received Slave Address |
|----------------|-------------------------|--------------------|------------------------|
| Not locked     | don't care              | Individual         | UAR register matching  |
|                |                         | Broadcast          | Group matching         |
|                |                         |                    | FFFH                   |
| Locked         | Locked master matching  | Individual         | UAR register matching  |
|                |                         | Broadcast          | Group matching         |
|                |                         |                    | FFFH                   |

**Caution** If a unit other than the locked master communicates with the unit while the unit is locked, the SLVRQ bit is not set but the  $\overline{\text{ACK}}$  signal is returned to the slave address field. This is because communication must be continued, even if a unit other than the locked master returns the signal, if the control data is a slave status request.

**(b) Arbitration result flag (ARBIT)...Bit 5**

A flag that indicates the result of arbitration.

<Set/clear conditions>

**Set:** This flag is set (1) when the data output by the IEBus unit during the arbitration period does not match the bus line data.

**Clear:** This flag is cleared (0) by the start bit timing.

**Cautions 1.** The timing at which the arbitration result flag (ARBIT bit) is cleared differs depending on whether the unit outputs a start bit.

- **If start bit is output:** The flag is cleared at the output start timing.
- **If start bit is not output:** The flag is cleared at the detection timing of the start bit (approx. 160  $\mu\text{s}$  (mode 1, at 6.29 MHz) after output)

**2.** The flag is cleared (0) at the detection timing of the start bit if the other unit outputs the start bit earlier and the unit does not output the start bit after the master request.

**(c) Broadcast communication flag (ALLTRNS)...Bit 4**

Flag indicating whether the unit is performing broadcast communication. The contents of the flag are updated in the broadcast field of each frame.

Except for initialization (reset) by system reset, the set/clear conditions vary depending on the receive data of the broadcast field bit.

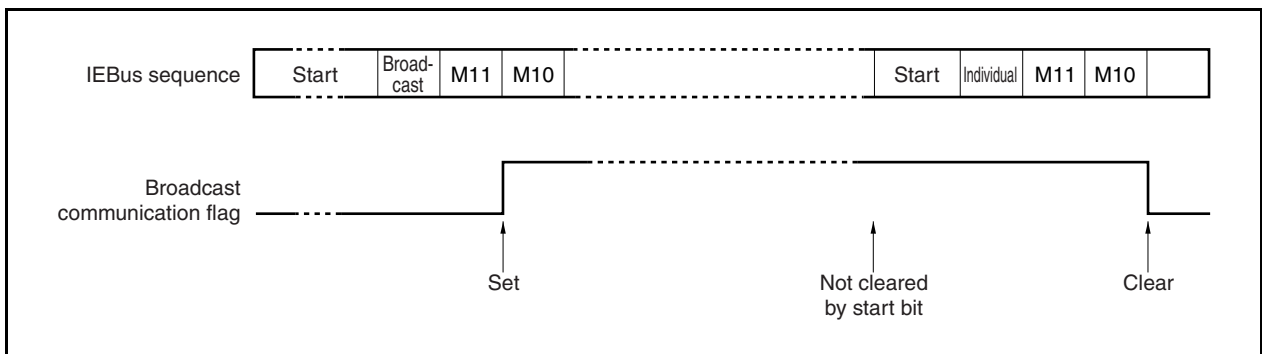
<Set/clear conditions>

Set: When "broadcast" is received by the broadcast field

Clear: When "individual" is received by the broadcast field, or upon the input of a system reset.

**Caution** The broadcast flag is updated regardless of whether IEBus is the communication target or not.

**Figure 16-12. Example of Broadcast Communication Flag Operation**

**(d) Acknowledge transmission flag (ACK)...Bit 3**

A flag that indicates whether the  $\overline{\text{ACK}}$  signal has been transmitted in the acknowledge bit period of the acknowledge bit field when IEBus is the receiving unit. The contents of the flag are updated in the acknowledge bit period of each frame. However, if the internal circuit is initialized by the occurrence of a parity error, etc., the contents are not updated in the acknowledge bit period of that field.

**(e) Lock status flag (LOCK)...Bit 2**

A flag that indicates whether the unit is locked.

<Set/clear conditions>

Set: This flag is set (1) when the communication end flag (ISR.ENDTRNS bit) goes low and the frame end flag (ISR.ENDFRAM bit) goes high after receipt of a lock specification (3H, 6H, AH, BH) in the control field.

Clear: When the communication enable flag (BCR.ENIEBUS bit) is cleared (0).

When the communication end flag (ENDTRNS bit) is set (1) after receipt of a lock release (3H, 6H, AH, BH) in the control field.

**Caution** Lock specification/release is not possible in broadcast communication. In the lock status, individual communication from a unit other than the one that requests locking is not acknowledged. However, even communication from a unit other than the one that requests locking is acknowledged as long as the communication is a slave status request.

**(5) IEBus interrupt status register (ISR)**

The ISR register indicates the interrupt source when IEBus issues an interrupt request signal. This register is read to generate an interrupt request signal, after which the specified interrupt processing is carried out. This register can be read or written in 8-bit or 1-bit units. Reset sets this register to 00H.

After reset: 00H    R/W<sup>Note 1</sup>    Address: FFFFF364H

|     |   |       |        |         |         |         |   |   |
|-----|---|-------|--------|---------|---------|---------|---|---|
|     | 7 | <6>   | <5>    | <4>     | <3>     | <2>     | 1 | 0 |
| ISR | 0 | IEERR | STARTF | STATUSF | ENDTRNS | ENDFRAM | 0 | 0 |

|       |                                                 |
|-------|-------------------------------------------------|
| IEERR | Communication error flag (during communication) |
| 0     | No communication error                          |
| 1     | Communication error                             |

|        |                                              |
|--------|----------------------------------------------|
| STARTF | Start interrupt flag                         |
| 0      | Start interrupt request signal did not occur |
| 1      | Start interrupt request signal occurred      |

|         |                                                                                 |
|---------|---------------------------------------------------------------------------------|
| STATUSF | Status transmission flag (slave)                                                |
| 0       | No slave status/lock address (higher 4 bits, lower 8 bits) transmission request |
| 1       | Slave status/lock address (higher 4 bits, lower 8 bits) transmission request    |

|         |                                                                                                              |
|---------|--------------------------------------------------------------------------------------------------------------|
| ENDTRNS | Communication end flag                                                                                       |
| 0       | Communication does not end after the number of bytes set in the telegraph length field have been transferred |
| 1       | Communication ends after the number of bytes set in the telegraph length field have been transferred         |

|         |                                                                  |
|---------|------------------------------------------------------------------|
| ENDFRAM | Frame end flag                                                   |
| 0       | The frame (transfer of the maximum number of bytes) does not end |
| 1       | The frame (transfer of the maximum number of bytes) ends         |

- Notes 1.** Only the IEERR bit can be written, and only to 0 (i.e., the IEERR bit can only be cleared). The IEERR bit is not set (1) even if 1 is written to it.
- 2.** Mode 1: 32 bytes  
 Mode 2: 128 bytes

**(a) Communication error flag (IEERR)...Bit 6**

A flag that indicates a communication error has occurred. When a communication error occurs, the INTIE2 and INTERR interrupt request signals are generated.

<Set/clear conditions>

Set: The flag is set (1) if a timing error, parity error (except in the data field), NACK reception error (except in the data field), underrun error, overrun error (that occurs during broadcast communication reception), or write error occurs.

Clear: By software

**(b) Start interrupt flag (STARTF)...Bit 5**

A flag that indicates the start interrupt. When a start interrupt occurs, the INTIE2 and INTSTA interrupt request signals are generated.

<Set/clear conditions>

Set: This flag is set (1) in the slave address field, upon a master request.

When IEBus is a slave unit, this flag is set (1) upon a request from the master (only if it was a slave request in the locked state from the unit requesting a lock).

Clear: This flag is cleared (0) if the status transmission interrupt, communication end interrupt, frame end interrupt, or INTIE1 interrupt request signal is generated.

**(c) Status transmission flag (STATUSF)...Bit 4**

A flag that indicates the master requested transmission of the slave status and lock address (higher 4 bits and lower 8 bits) when the controller was serving as a slave.

<Set/clear conditions>

Set: This flag is set (1) when 0H, 4H, 5H, or 6H is received in the control field from the master when the IEBus is a slave unit.

Clear: This flag is cleared (0) if the start interrupt, communication end interrupt, frame end interrupt, or INTIE1 interrupt request signal is generated.

**(d) Communication end flag (ENDTRANS)...Bit 3**

A flag that indicates whether communication ends after the number of bytes set in the telegraph length field have been transferred. When a communication error occurs, the INTIE2 and INTSTA interrupt request signals are generated.

<Set/clear conditions>

Set: This flag is set (1) when the count value of the SCR register is 00H.

Clear: This flag is cleared (0) if the start interrupt, status transmission interrupt, frame end interrupt (if the communication end interrupt does not occur), or INTIE1 interrupt request signal is generated.

**(e) Frame end flag (ENDFRAM)...Bit 2**

A flag that indicates whether communication ends after the maximum number of bytes (mode 1: 32 bytes, mode 2: 128 bytes) have been transferred.

<Set/clear conditions>

Set: This flag is set (1) when the count value of the CCR register is 00H.

Clear: This flag is cleared (0) if the start interrupt, status transmission interrupt, communication end interrupt (if the frame end interrupt does not occur), or INTIE1 interrupt request signal is generated

**Cautions 1. If both the CCR and SCR registers are cleared to 00H, the ENDTRNS and ENDFRAM bits are set (1) at the same time.**

- 2. If the last data field is the NACK signal when the maximum number of transmitted bytes is reached as a result of retransmitting the data, the ENDFRAM bit and IEERR (NACK reception error) bit are set at the same time.**

**(6) IEBus error status register (ESR)**

The ESR register indicates the source of the communication error interrupt request signal of IEBus. Each bit of this register is set (1) as soon as the communication error flag (ISR.IEERR bit) is set (1). The source of a communication error, if any, can be identified by checking the contents of this register.

This register can be read or written in 8-bit or 1-bit units.

Reset sets this register to 00H.

After reset: 00H R/W Address: FFFFF365H

|     |      |      |      |      |      |      |   |        |
|-----|------|------|------|------|------|------|---|--------|
|     | <7>  | <6>  | <5>  | <4>  | <3>  | <2>  | 1 | <0>    |
| ESR | TERR | PERR | NERR | UERR | OERR | WERR | 0 | DEFLAG |

|      |                              |
|------|------------------------------|
| TERR | Timing error occurrence flag |
| 0    | Timing error did not occur   |
| 1    | Timing error occurred        |

|      |                              |
|------|------------------------------|
| PERR | Parity error occurrence flag |
| 0    | Parity error did not occur   |
| 1    | Parity error occurred        |

|      |                                      |
|------|--------------------------------------|
| NERR | NACK reception error occurrence flag |
| 0    | NACK reception error does not occur  |
| 1    | NACK reception error occurred        |

|      |                                |
|------|--------------------------------|
| UERR | Underrun error occurrence flag |
| 0    | Underrun error did not occur   |
| 1    | Underrun error occurred        |

|      |                               |
|------|-------------------------------|
| OERR | Overrun error occurrence flag |
| 0    | Overrun error did not occur   |
| 1    | Overrun error occurred        |

|      |                             |
|------|-----------------------------|
| WERR | Write error occurrence flag |
| 0    | Write error did not occur   |
| 1    | Write error occurred        |

|        |                                                                  |
|--------|------------------------------------------------------------------|
| DEFLAG | Third party error occurrence flag                                |
| 0      | Error occurred during communication with unit                    |
| 1      | Error occurred during communication with station other than unit |

- Cautions**
1. Each bit can only be cleared (0). It cannot be set (1) even if 1 is written to it.
  2. The value of the ESR register is updated when an error occurs. If the ESR register is read at this time, however, an undefined value is read. It is recommended to read the ESR register in error interrupt servicing.
  3. If a communication error occurs, the IEBus controller returns to the default status and makes preparation for communication. If communication is started without the error corrected, the error flag accumulates the error. Correct the error before the next communication is started.

**(a) Timing error occurrence flag (TERR)...Bit 7**

<Set/clear conditions>

Set: This flag is set (1) if a timing error occurs.

Clear: By software

A timing error occurs if the high-/low-level width of the communication bit is not the defined value. The defined value of the high- and low-level width is set to the bit processing block and monitored by the internal timer. If a timing error occurs, the INTERR and INTIE2 interrupt request signals are generated.

**(b) Parity error occurrence flag (PERR)...Bit 6**

<Set/clear conditions>

Set: This flag is set (1) if a parity error occurs.

Clear: By software

A parity error occurs if the parity generated in each field does not match the received parity while the controller is serving as a receiver unit. If the parity does not match in the data field during individual communication, however, the NACK signal is returned and retransmission of data is requested. Therefore, the parity error does not occur.

**Table 16-14. Operation if Parity Does Not Match**

| Field                  | Communication Mode   | Operation if Parity Does Not Match                    |
|------------------------|----------------------|-------------------------------------------------------|
| Master address field   | Individual/broadcast | Parity error occurs.                                  |
| Slave address field    | Individual/broadcast | Parity error occurs.                                  |
| Control data field     | Individual/broadcast | Parity error occurs.                                  |
| Telegraph length field | Individual/broadcast | Parity error occurs.                                  |
| Data field             | Individual           | Retransmission is requested by returning NACK signal. |
|                        | Broadcast            | Parity error occurs.                                  |

**(c) NACK reception error occurrence flag (NERR)...Bit 5**

<Set/clear conditions>

Set: This flag is set (1) if a NACK reception error occurs.

Clear: By software

A NACK reception error occurs if the NACK signal is received during the acknowledge bit period of the slave address field, control data field, or telegraph length field during individual communication, regardless of whether the controller is operating as the master or a slave. If the NACK signal is received during the acknowledge bit period of the data field, a NACK reception error does not occur because data is retransmitted. If the NACK signal is received during the acknowledge period of the last data field when the maximum number of transfer bytes is reached, the NACK reception error occurs.

The NACK reception error does not occur during broadcast communication because the  $\overline{\text{ACK}}$ /NACK signal is not identified.

The NACK reception error does not occur during third-party communication because only the timing/parity error is detected as an error.



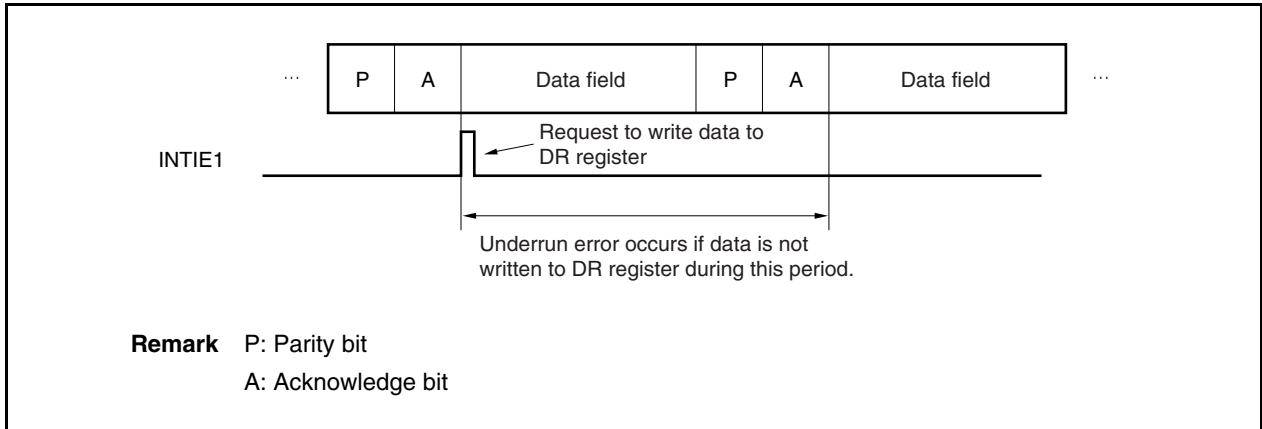
**(d) Underrun error occurrence flag (UERR) ... Bit 4**

&lt;Set/clear conditions&gt;

Set: This flag is set (1) if an underrun error occurs.

Clear: By software

An underrun error occurs if the next data is not transmitted to the DR register in time before the  $\overline{\text{ACK}}$  signal is received. If the NACK signal is received during individual communication and during the acknowledge bit period, the underrun error does not occur because the data is retransmitted.

**Figure 16-13. Timing of Underrun Error Occurrence**

**(e) Overrun error occurrence flag (OERR) ... Bit 3**

&lt;Set/clear conditions&gt;

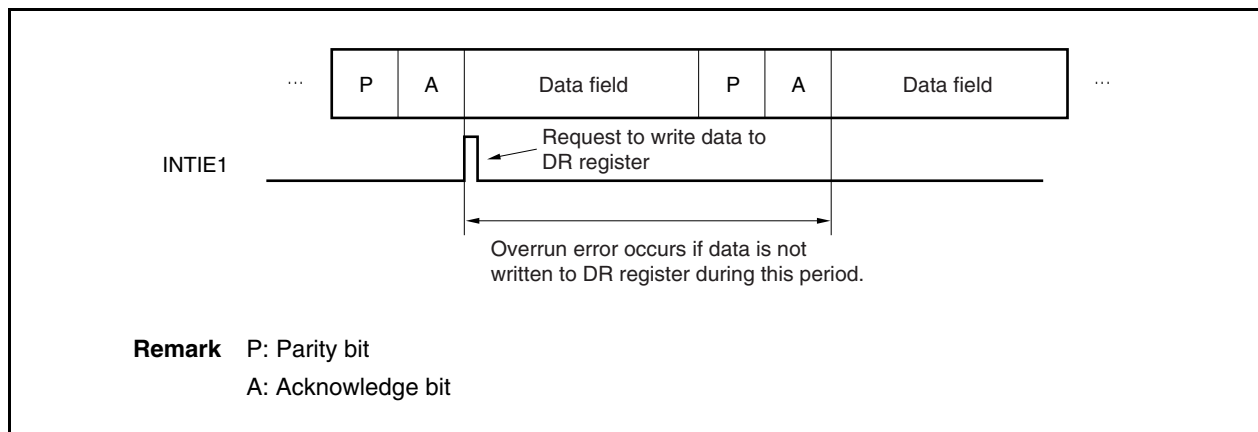
Set: This flag is set (1) if an overrun error occurs.

Clear: By software

<R> If 1-byte data is stored in the DR register while the IEBus controller serves as a receiver unit, the data request interrupt request signal (INTIE1) is generated, and the DR register is read by software. If this reading is delayed and the next data is received, an overrun error occurs.

- Cautions 1.** If the DR register is not read and the number of retransmitted data reaches the maximum number of transmitted bytes (32 bytes) after the overrun error has occurred, the frame end interrupt request signal (INTSTA or INTIE2) occurs. The overrun status is maintained until the DR register is read, even after the frame has ended.
- 2.** The overrun status is cleared only when the DR register is read and when the system is reset. Therefore, be sure to read the DR register in the communication error interrupt processing program.
- 3.** The next data cannot be transmitted in the overrun status if it is 2 bytes or more. Because the data request interrupt request signal (INTIE1) does not occur, the transmit data cannot be set and an underrun error occurs. Therefore, be sure to execute transmission after clearing the overrun status.

**Remark** During individual communication reception, the NACK signal is returned during the acknowledge bit period of the next data. In response, the transmitter unit retransmits data. Therefore, the CCR register is decremented but the SCR register is not decremented. During broadcast communication reception, the communication error interrupt request signal (INTIE2) is generated and reception is stopped. At this time, the DR register is not updated. The INTIE1 signal is not generated. The STATRX bit of the SSR register is held set (to 1). The overrun status is cleared when data is received after the DR register has been read.

**Figure 16-14. Timing of Overrun Error Occurrence**

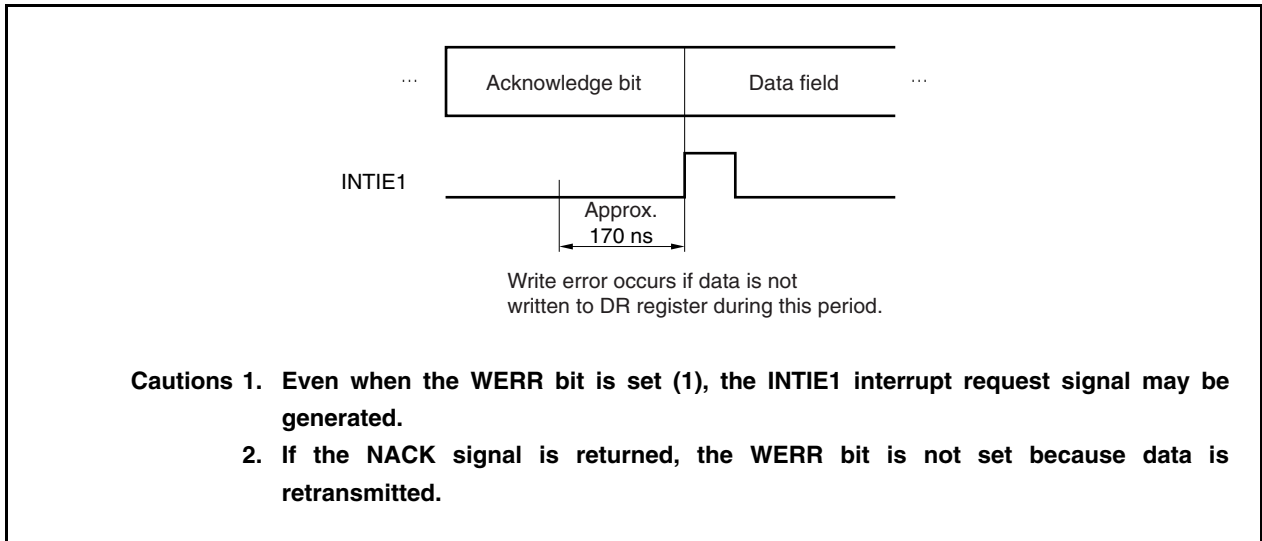
**(f) Write error occurrence flag (WERR) ... Bit 2**

&lt;Set/clear conditions&gt;

Set: This flag is set (1) if a write error occurs.

Clear: By software

A write error occurs if the data written to the DR register is not transmitted in the data field during unit transmission. The timing of occurrence of a write error is illustrated below.

**Figure 16-15. Timing of Write Error Occurrence****(g) Third-party error occurrence flag (DEFLAG)...Bit 0**

&lt;Set/clear conditions&gt;

Set: This flag is set (1) if a timing error or parity error occurs during communication regardless of the unit (during communication between third parties).

Clear: By software

**Caution** If an error occurs before the third-party communication starts even when the slave address field does not match that of the unit (for example, if the NACK signal is received when the received address does not match that of the unit in the slave address field (if the NERR bit is set (1))), the DEFLAG bit is not set (1).

**Remark** Communication between third parties may take place in the following two cases.

- <1> If the received address in the slave address field does not match that of the unit (during individual communication: Matching with UAR register, during broadcast communication: Matching with group or FFFH) and if communication continues after the  $\overline{\text{ACK}}$  signal has been received, the unit monitors that communication.
- <2> If the unit cannot respond to the received control data in the control field during broadcast communication and if communication continues, the unit monitors that communication. For example, this happens when the unit receives control data FH from master during broadcast communication but the slave reception enable flag of the unit is disabled (BCR.ENSLVRX bit = 0) (the NACK signal is returned and communication ends during individual communication).

**(7) IEBus unit address register (UAR)**

The UAR register sets the unit address of an IEBus unit. This register must always be set before starting communication.

Sets the unit address (12 bits) to bits 11 to 0.

This register can be read or written in 16-bit units.

Reset sets this register to 0000H.

|     | 15 | 14 | 13 | 12 | 11 | 10 | 9 | 8 | 7 | 6 | 5 | 4 | 3 | 2 | 1 | 0 | Address    | After reset | R/W |
|-----|----|----|----|----|----|----|---|---|---|---|---|---|---|---|---|---|------------|-------------|-----|
| UAR | 0  | 0  | 0  | 0  |    |    |   |   |   |   |   |   |   |   |   |   | FFFFFF366H | 0000H       | R/W |

**Caution** Do not set the UAR register while communication is enabled (BCR.ENIEBUS bit = 1).

**(8) IEBus slave address register (SAR)**

During a master request, the value of this register is reflected in the value of the transmit data in the slave address field. The SAR register must always be set before starting communication.

The SAR register sets the slave address (12 bits) to bits 11 to 0.

This register can be read or written in 16-bit units.

Reset sets this register to 0000H.

|     | 15 | 14 | 13 | 12 | 11 | 10 | 9 | 8 | 7 | 6 | 5 | 4 | 3 | 2 | 1 | 0 | Address    | After reset | R/W |
|-----|----|----|----|----|----|----|---|---|---|---|---|---|---|---|---|---|------------|-------------|-----|
| SAR | 0  | 0  | 0  | 0  |    |    |   |   |   |   |   |   |   |   |   |   | FFFFFF368H | 0000H       | R/W |

**Caution** Be sure to set the SAR register in the following timing.

- When BCR.ENIEBUS bit = 0
- Between ENIEBUS bit = 1 and the first master request (set BCR.MSTRQ bit to (1))
- When ENIEBUS bit = 1, and MSTRQ bit = 0, between either the end of that communication, frame, or error and the next master request (set MSTRQ bit to (1))

<R>

**(9) IEBus partner address register (PAR)**

The PAR register stores the master address value received in the master address field regardless of whether the unit is operating as the master or a slave.

If a request “4H” to read the lock address (lower 8 bits) is received from the master, read the value of this register by software, and write the data of the lower 8 bits to the DR register.

If a request “5H” to read the lock address (higher 4 bits) is received from the master, read the value of this register by software and write the data of bits 11 to 8 to the higher 4 bits of the DR register.

The PAR register sets the partner address (12 bits) to bits 11 to 0.

This register is read-only, in 16-bit units.

Reset sets this register to 0000H.

|     | 15 | 14 | 13 | 12 | 11 | 10 | 9 | 8 | 7 | 6 | 5 | 4 | 3 | 2 | 1 | 0 | Address    | After reset | R/W |
|-----|----|----|----|----|----|----|---|---|---|---|---|---|---|---|---|---|------------|-------------|-----|
| PAR | 0  | 0  | 0  | 0  |    |    |   |   |   |   |   |   |   |   |   |   | FFFFFF36AH | 0000H       | R   |

**Caution** The PAR register stores an address value if the parity is correct and the unit is not locked when the parity period of the master address field expires. If the PAR register is read at this time, an undefined value is read.

**(10) IEBus receive slave address register (RSA)**

The RSA register stores the slave address value received in the slave address field regardless of whether the unit is operating as the master or a slave.

This register is read-only, in 16-bit units.

Reset sets this register to 0000H.

|     | 15 | 14 | 13 | 12 | 11 | 10 | 9 | 8 | 7 | 6 | 5 | 4 | 3 | 2 | 1 | 0 | Address    | After reset | R/W |
|-----|----|----|----|----|----|----|---|---|---|---|---|---|---|---|---|---|------------|-------------|-----|
| RSA | 0  | 0  | 0  | 0  |    |    |   |   |   |   |   |   |   |   |   |   | FFFFFF36CH | 0000H       | R   |

**Caution** The RSA register stores an address value if the parity is correct and the unit is not locked when the parity period of the slave address field expires. If the RSA register is read at this time, an undefined value is read.

**(11) IEBus control data register (CDR)**

The CDR register can be read or written in 8-bit units.

Reset sets this register to 00H.

**Remark** The CDR register consists of a write register and a read register and data written to the CDR register cannot be read as is. The data read from this register is the data received by IEBus communication.

**(a) When master unit**

The data of the lower 4 bits is reflected in the data transmitted in the control field. During a master request, the CDR register must be set in advance before starting communication.

**(b) When slave unit**

The data received in the control field is written to the lower 4 bits.

When the status transmission flag (ISR.STATUSF bit) is set (1), an interrupt request signal (INTIE2) is issued, and each processing should be performed by software, according to the value of the lower 4 bits of the CDR register.

After reset: 00H R/W Address: FFFF36EH

|     |   |   |   |   |     |        |        |        |
|-----|---|---|---|---|-----|--------|--------|--------|
|     | 7 | 6 | 5 | 4 | 3   | 2      | 1      | 0      |
| CDR | 0 | 0 | 0 | 0 | MOD | SELCL2 | SELCL1 | SELCL0 |

| MOD | SELCL2 | SELCL1 | SELCL0 | Function                         |
|-----|--------|--------|--------|----------------------------------|
| 0   | 0      | 0      | 0      | Read slave status                |
| 0   | 0      | 0      | 1      | Undefined                        |
| 0   | 0      | 1      | 0      | Undefined                        |
| 0   | 0      | 1      | 1      | Read data and lock               |
| 0   | 1      | 0      | 0      | Read lock address (lower 8 bits) |
| 0   | 1      | 0      | 1      | Read lock address (lower 4 bits) |
| 0   | 1      | 1      | 0      | Read slave status and unlock     |
| 0   | 1      | 1      | 1      | Read data                        |
| 1   | 0      | 0      | 0      | Undefined                        |
| 1   | 0      | 0      | 1      | Undefined                        |
| 1   | 0      | 1      | 0      | Write command and lock           |
| 1   | 0      | 1      | 1      | Write data and lock              |
| 1   | 1      | 0      | 0      | Undefined                        |
| 1   | 1      | 0      | 1      | Undefined                        |
| 1   | 1      | 1      | 0      | Write command                    |
| 1   | 1      | 1      | 1      | Write data                       |

- Cautions**
1. Because the slave unit must judge whether the received data is a “command” or “data”, read the value of the CDR register after completing communication.
  2. If the master unit sets an undefined value, the slave unit returns the NACK signal and communication is aborted. During broadcast communication, the master unit ignores the acknowledge bit and continues communication. Therefore, do not set an undefined value.

**(c) Slave status return operation**

When IEBus receives a request to transfer from master to slave status or a lock address request (control data: 0H, 6H), whether the  $\overline{\text{ACK}}$ /NACK signal in the control field is returned or not depends on the status of the IEBus unit.

- (1) If 0H or 6H control data was received in the unlocked state →  $\overline{\text{ACK}}$  signal returned
- (2) If 4H or 5H control data was received in the unlocked state → NACK signal returned
- (3) If 0H, 4H, 5H or 6H control data was received in the locked state from the unit that sent the lock request →  $\overline{\text{ACK}}$  signal returned
- (4) If 0H, 4H, or 5H control data was received in the locked state from other than the unit that sent the lock request →  $\overline{\text{ACK}}$  signal returned
- (5) If 6H control data was received in the locked state from other than the unit that sent the lock request → NACK signal returned

In all of the above cases, the acknowledgment of a slave status or lock request will cause the STATUSF bit to be set (1) and the status interrupt signal (INTIE2, INTSTA) to be generated. The generation timing is at the end of the control field parity bit (at the start of the acknowledge bit). However, if NACK is returned, a NACK receive error is generated after the acknowledge bit, and communication is terminated.

**Figure 16-16. Interrupt Request Signal Generation Timing (for (1), (3), and (4))**

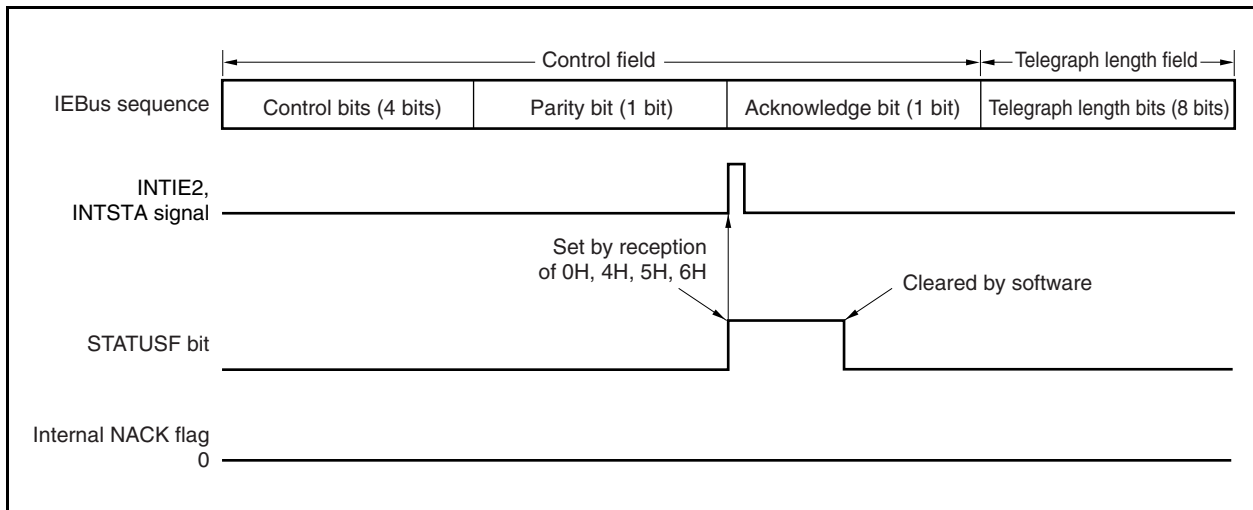
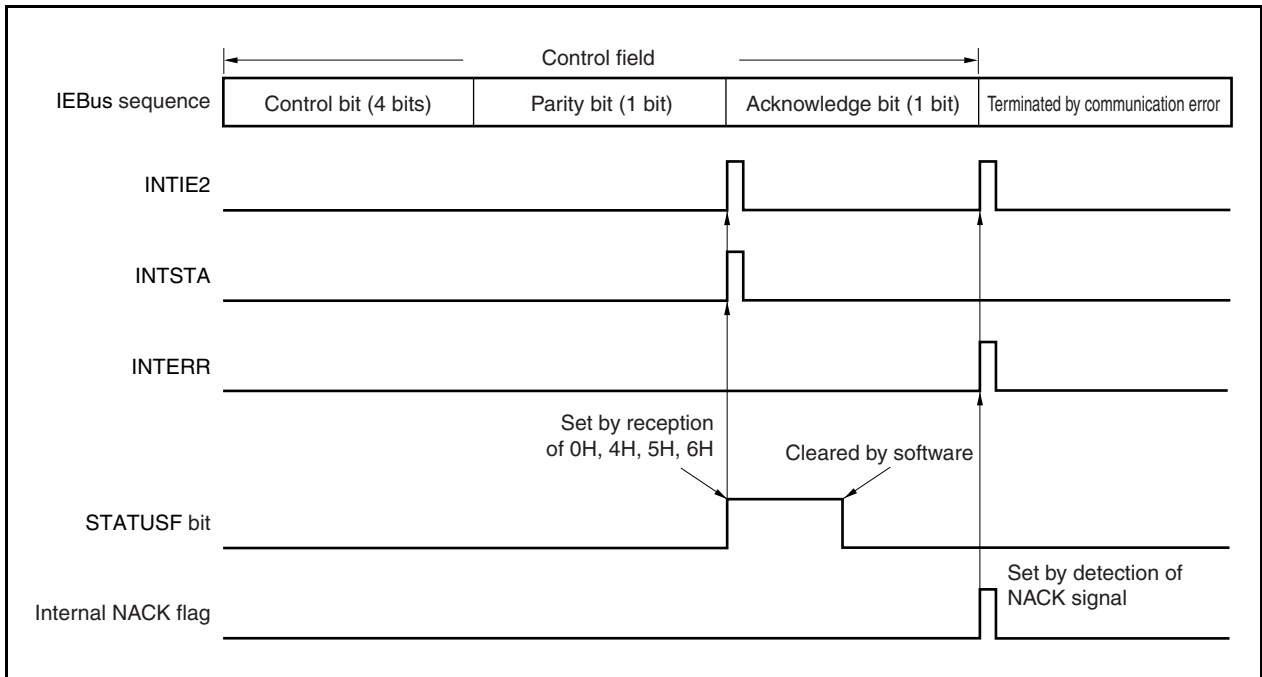




Figure 16-17. Interrupt Request Signal Generation Timing (for (2) and (5))



Because in (4) and (5) the communication was from other than the unit that sent the lock request while IEBus was in the locked state, the start or communication end interrupt request signals (INTIE2, INTSTA) are not generated, even if the IEBus unit is the communication target. The STATUSF bit is set (1) and the status interrupt request signals (INTIE2, INTSTA) are generated, however, if a slave status or lock address request is acknowledged. Note that even if the same control data is received while IEBus is in the locked state, the interrupt generation timing for INTIE2 and INTSTA differs depending on whether the master unit (3) or another unit (4) is requesting the locked state.

Figure 16-18. Timing of INTIE2 and INTSTA Interrupt Request Signal Generation in Locked State (for (4) and (5))

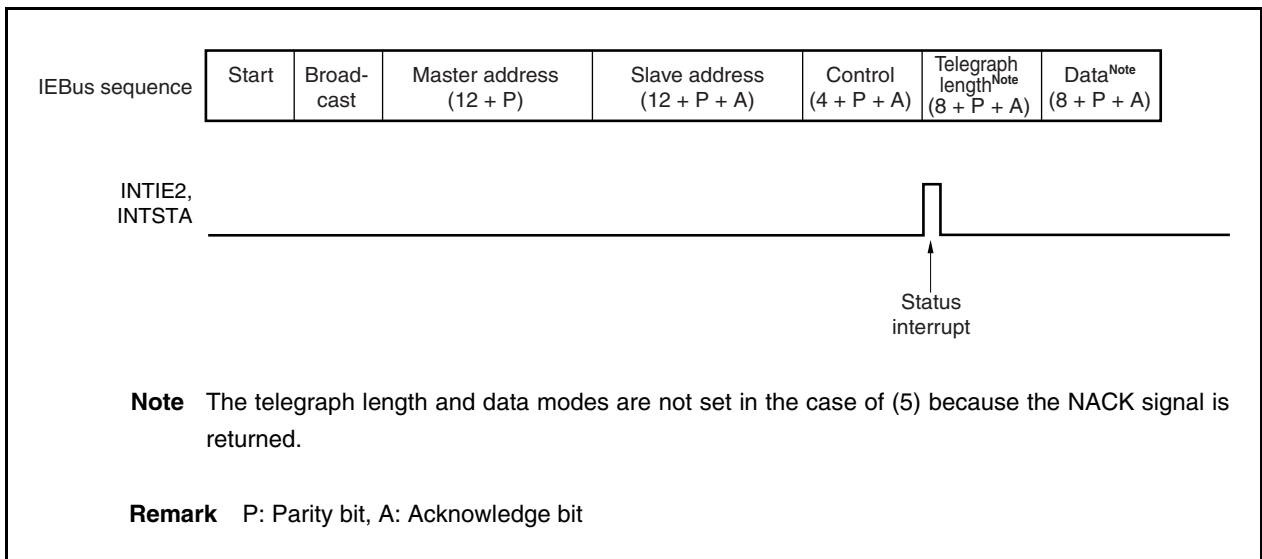
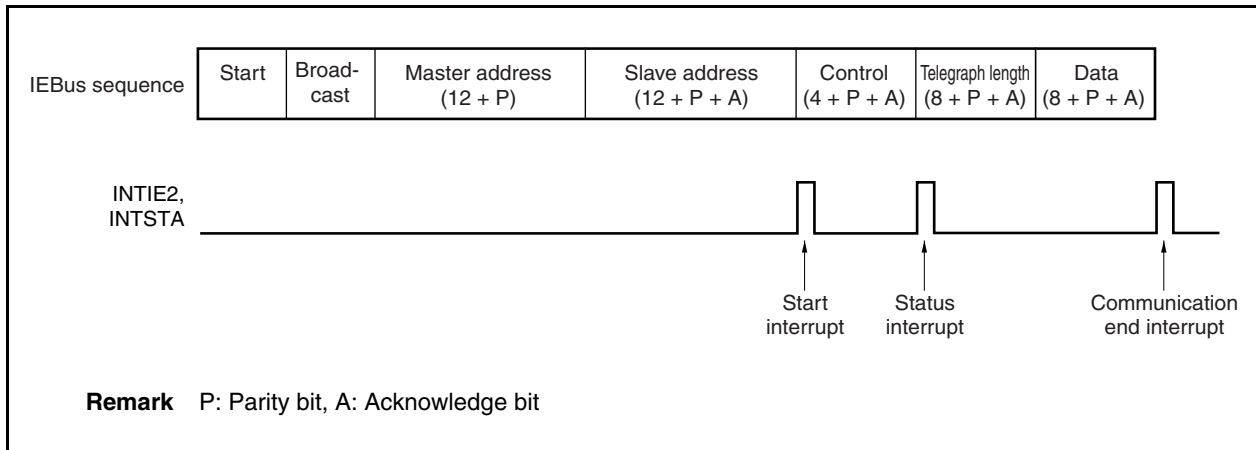


Figure 16-19. Timing of INTIE2 and INTSTA Interrupt Request Signal Generation in Locked State (for (3))



**(12) IEBus telegraph length register (DLR)**

The DLR register can be read or written in 8-bit units.

Reset sets this register to 01H.

**(a) When transmission unit ... Master transmission, slave transmission**

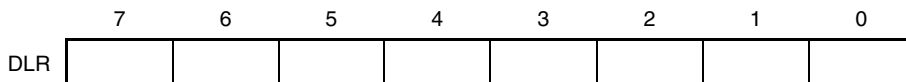
The data of this register is reflected in the data transmitted in the telegraph length field and indicates the number of bytes of the transmit data. The DLR register must be set in advance before transmission.

**(b) When reception unit ... Master reception, slave reception**

The receive data in the telegraph length field transmitted from the transmission unit is written to this register.

**Remark** The DLR register consists of a write register and a read register. Consequently, data written to this register cannot be read as is. The data that can be read is the data received during IEBus communication.

After reset: 01H R/W Address: FFFF36FH



| Bit |   |   |   |   |   |   |   | Setting value | Remaining number of communication data bytes |
|-----|---|---|---|---|---|---|---|---------------|----------------------------------------------|
| 7   | 6 | 5 | 4 | 3 | 2 | 1 | 0 |               |                                              |
| 0   | 0 | 0 | 0 | 0 | 0 | 0 | 1 | 01H           | 1 byte                                       |
| 0   | 0 | 0 | 0 | 0 | 0 | 1 | 0 | 02H           | 2 bytes                                      |
| :   | : | : | : | : | : | : | : | :             | :                                            |
| 0   | 0 | 1 | 0 | 0 | 0 | 0 | 0 | 20H           | 32 bytes                                     |
| :   | : | : | : | : | : | : | : | :             | :                                            |
| 1   | 1 | 1 | 1 | 1 | 1 | 1 | 1 | FFH           | 255 bytes                                    |
| 0   | 0 | 0 | 0 | 0 | 0 | 0 | 0 | 00H           | 256 bytes                                    |

- Cautions**
1. When the master issues a request (0H, 4H, 5H, or 6H) for transmission of a slave status or a lock address (higher 4 bits and lower 8 bits), 01H is transmitted as the telegraph length regardless of the contents of the DLR register. It is therefore not necessary to set the DLR register by software.
  2. When the IEBus controller serves as a receiver unit, the DLR register stores a telegraph length if the value of the parity bit of the telegraph length field is correct. If the DLR register is read at this time, an undefined value is read.

**(13) IEBus data register (DR)**

The DR register sets the communication data (8 bits) to bits 7 to 0.

This register can be read or written in 8-bit units.

Reset sets this register to 00H.

**Remark** The DR register consists of a write register and a read register. Consequently, data written to this register cannot be read as is. The data that can be read is the data received during IEBus communication.

**(a) When transmission unit**

The data (1 byte) written to the DR register is stored in the transmit shift register of the IEBus interface block. It is then output from the most significant bit, and an interrupt request signal (INTIE1) is generated each time 1 byte has been transmitted. If the NACK signal is received after 1-byte data has been transferred during individual transfer, data is not transferred from the DR register to the transmit shift register, and the same data is retransmitted. At this time, INTIE1 signal is not generated.

INTIE1 signal is generated when the transmit shift register stores the DR register value. However, when the last byte and 32nd byte (the last byte of 1 communication frame) is stored in the transmit shift register, the INTIE1 signal is not generated.

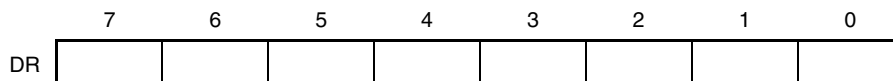
<R>

**(b) When reception unit**

One byte of the data received by the receive shift register of the IEBus interface block is stored in this register.

Each time 1 byte has been correctly received, an interrupt request signal (INTIE1) is generated.

After reset: 00H R/W Address: FFFFF370H



- Cautions**
1. If the next data is not in time while the transmission unit is set, an underrun occurs, and a communication error interrupt request signal (INTIE2, INTERR) occurs, stopping transmission.
  2. If data is not read in time before the next data is read when the IEBus controller functions as a receiver unit during individual communication reception, the NACK signal is returned by the acknowledge bit of the data field, requesting the master to retransmit the data. If the DR register is not read after the data has reached the maximum number of transmit bytes, however, the frame end interrupt request signal (INTIE2, INTSTA) and NACK reception error interrupt request signal (INTIE2, INTERR) are generated at the same time.
  3. If data is not read in time before the next data is received when the IEBus controller functions as a receiver unit during broadcast communication reception, an overrun error occurs and the communication error interrupt request signal (INTIE2, INTERR) is generated.
  4. When the IEBus controller serves as a receiver unit, the DR register stores receive data if the value of the parity bit of the data field is correct. If the DR register is read at this time, an undefined value is read.

**(14) IEBus field status register (FSR)**

The FSR register stores the status of the field status of the IEBus controller if an interrupt request signal (INTIE1, INTIE2, INTSTA, or INTERR) is generated.

This register is read-only, in 8-bit units.

Reset sets this register to 00H.

- Cautions 1.** If an interrupt request signal is generated during communication between third parties, the FSR register is cleared to 00H. However, because only an interrupt request signal that is generated if an error occurs is generated during communication between third parties, the error can be identified as that during communication between third parties, by reading third-party error flag (ESR.DEFLAG bit).
- 2.** The FSR register updates the status information when an interrupt request signal is generated. If the FSR register is read at this time, however, an undefined value is read.
- 3.** If another interrupt request signal is generated before the FSR register is read, the status information when the preceding interrupt occurred is updated by the status information when the new interrupt occurs.
- 4.** Use the FSR register only for problem analysis; do not use it with the actual software.

After reset: 00H    R    Address: FFFF371H

|   |   |   |   |   |   |         |         |
|---|---|---|---|---|---|---------|---------|
| 7 | 6 | 5 | 4 | 3 | 2 | 1       | 0       |
| 0 | 0 | 0 | 0 | 0 | 0 | FSTATE1 | FSTATE0 |

**Remark** For the explanation of the FSTATE1 and FSTATE0 bits, see **Table 16-15 Field Status**.

**Table 16-15. Field Status**

| Field Status                            | Explanation      |                        |                        |
|-----------------------------------------|------------------|------------------------|------------------------|
|                                         | Master/Slave     | Field                  | Transmission/Reception |
| Slave transmission status<br>FSR = 00H  | Slave operation  | Start field            | Reception              |
|                                         |                  | Master address field   |                        |
|                                         |                  | Slave address field    |                        |
|                                         |                  | Control data field     |                        |
|                                         |                  | Telegraph length field |                        |
|                                         |                  | Data field             |                        |
| Slave transmission status<br>FSR = 01H  | Slave operation  | Telegraph length field | Transmission           |
|                                         |                  | Data field             |                        |
| Master reception status<br>FSR = 02H    | Master operation | Telegraph length field | Reception              |
|                                         |                  | Data field             |                        |
| Master transmission status<br>FSR = 03H | Master operation | Start field            | Transmission           |
|                                         |                  | Master address field   |                        |
|                                         |                  | Slave address field    |                        |
|                                         |                  | Control data field     |                        |
|                                         |                  | Telegraph length field |                        |
|                                         |                  | Data field             |                        |

**(15)IEBus success count register (SCR)**

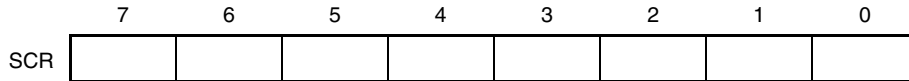
The SCR register indicates the number of remaining communication bytes.

The count value of the counter in which the value set by the DLR register is decremented by the  $\overline{ACK}$  signal in the data field is read from this register. When the count value has reached "00H", the communication end flag (ISR.ENDTRNS bit) is set (1).

This register is read-only, in 8-bit units.

Reset sets this register to 00H.

After reset: 01H R Address: FFFFF372H



| Bit |   |   |   |   |   |   |   | Setting value | Remaining number of communication data bytes                |
|-----|---|---|---|---|---|---|---|---------------|-------------------------------------------------------------|
| 7   | 6 | 5 | 4 | 3 | 2 | 1 | 0 |               |                                                             |
| 0   | 0 | 0 | 0 | 0 | 0 | 0 | 1 | 01H           | 1 byte                                                      |
| 0   | 0 | 0 | 0 | 0 | 0 | 1 | 0 | 02H           | 2 bytes                                                     |
| :   | : | : | : | : | : | : | : | :             | :                                                           |
| 0   | 0 | 1 | 0 | 0 | 0 | 0 | 0 | 20H           | 32 bytes                                                    |
| :   | : | : | : | : | : | : | : | :             | :                                                           |
| 1   | 1 | 1 | 1 | 1 | 1 | 1 | 1 | FFH           | 255 bytes                                                   |
| 0   | 0 | 0 | 0 | 0 | 0 | 0 | 0 | 00H           | 0 bytes (end of communication) or 256 bytes <sup>Note</sup> |

**Note** The actual counter consists of 9 bits. When "00H" is read, it cannot be judged whether the remaining number of communication data bytes is 0 (end of communication) or 256. Therefore, either the communication end flag (ENDTRNS bit) is used, or if "00H" is read when the first interrupt occurs at the beginning of communication, the remaining number of communication data bytes is judged to be 256.

**Caution** The SCR register is updated when the parity period of the telegraph field expires and when the  $\overline{ACK}$  signal of the data field is received. If the SCR register is read at this time, however, an undefined value is read.

**(16) IEBus communication count register (CCR)**

The CCR register indicates the number of bytes remaining from the communication byte number specified by the communication mode.

This register indicates the number of transfer bytes.

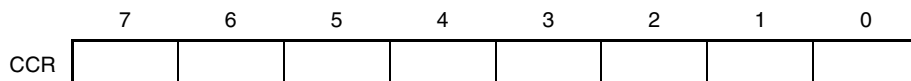
The maximum number of transmitted bytes per frame defined in each mode (mode 1: 32 bytes, mode 2: 128 bytes) is preset to this register. The count value of the counter that is decremented during the acknowledge bit period of the data field regardless of the  $\overline{\text{ACK}}/\text{NACK}$  signal is read from this register. Whereas the SCR register is decremented during normal communication ( $\overline{\text{ACK}}$  signal), the CCR register is decremented when 1 byte has been communicated, regardless of whether the signal is  $\overline{\text{ACK}}$  or NACK. When the count value has reached "00H", the frame end flag (ISR.ENDFRAM bit) is set (1).

The preset value of the maximum number of transmitted bytes per frame is 20H (32 bytes) in mode 1 and 80H (128 bytes) in mode 2.

This register is read-only, in 8-bit units.

Reset sets this register to 20H.

After reset: 20H R Address: FFFFF373H



**Caution** The maximum number of transmit bytes is preset to the CCR register when the start bit is transmitted or received, and the register is decremented when the parity period of the data field expires. If the CCR register is read at this time, however, an undefined value is read.

**(17) IEBus clock select register (OCKS2)**

The OCKS2 register selects the clock of IEBus. The main clock frequencies that can be used are shown below. No other main clock frequencies can be used.

This register can be read or written in 8-bit units.

Reset sets this register to 00H.

- 6.0 MHz/6.291456 MHz (6.29 MHz)
- 12.0 MHz/12.582912 MHz (12.58 MHz)
- 18.0 MHz/18.874368 MHz (18.87 MHz)

|                                               |                                                |                               |        |                                                                                     |         |   |        |        |
|-----------------------------------------------|------------------------------------------------|-------------------------------|--------|-------------------------------------------------------------------------------------|---------|---|--------|--------|
| After reset: 00H    R/W    Address: FFFFF348H |                                                |                               |        |                                                                                     |         |   |        |        |
|                                               | 7                                              | 6                             | 5      | 4                                                                                   | 3       | 2 | 1      | 0      |
| OCKS2                                         | 0                                              | 0                             | 0      | OCKSEN2                                                                             | OCKSTH2 | 0 | OCKS21 | OCKS20 |
|                                               | OCKSEN2    IEBus clock operation specification |                               |        |                                                                                     |         |   |        |        |
|                                               | 0                                              | IEBus clock operation stops   |        |                                                                                     |         |   |        |        |
|                                               | 1                                              | IEBus clock operation enabled |        |                                                                                     |         |   |        |        |
|                                               | OCKSTH2                                        | OCKS21                        | OCKS20 | IEBus clock selection                                                               |         |   |        |        |
|                                               | 0                                              | 0                             | 0      | f <sub>xx</sub> /2 (when f <sub>xx</sub> = 12.0 MHz or f <sub>xx</sub> = 12.58 MHz) |         |   |        |        |
|                                               | 0                                              | 0                             | 1      | f <sub>xx</sub> /3 (when f <sub>xx</sub> = 18.0 MHz or f <sub>xx</sub> = 18.87 MHz) |         |   |        |        |
|                                               | 1                                              | 0                             | 0      | f <sub>xx</sub> (when f <sub>xx</sub> = 6.0 MHz or f <sub>xx</sub> = 6.29 MHz)      |         |   |        |        |
|                                               | Other than above                               |                               |        | Setting prohibited                                                                  |         |   |        |        |



## 16.4 Interrupt Operations of IEBus Controller

### 16.4.1 Interrupt control block

Interrupt request signal

|     |                             |                            |
|-----|-----------------------------|----------------------------|
| <1> | Communication error         | IEERR                      |
|     | (i) Timing error:           | TERR                       |
|     | (ii) Parity error:          | PERR                       |
|     | (iii) NACK receive error:   | NERR                       |
|     | (iv) Underrun error:        | UERR                       |
|     | (v) Overrun error:          | OERR                       |
|     | (vi) Write error:           | WERR                       |
| <2> | Start interrupt             | STARTF                     |
| <3> | Status communication        | STATUSF                    |
| <4> | End of communication        | ENDTRNS                    |
| <5> | End of frame                | ENDFRAM                    |
| <6> | Transmit data write request | $\overline{\text{STATTX}}$ |
| <7> | Receive data read request   | STATRX                     |

A communication error <1> occurs if any of the above error sources (i) to (vi) is generated.

These error sources are assigned to the error status register (ESR) (see **Table 16-18 Communication Error Source Processing List**).

The above interrupt signals <1> to <5> are assigned to the ISR register (see **Table 16-17 Interrupt Source List**).

The configuration of the interrupt control block is illustrated below.

Figure 16-20. Configuration of Interrupt Control Block

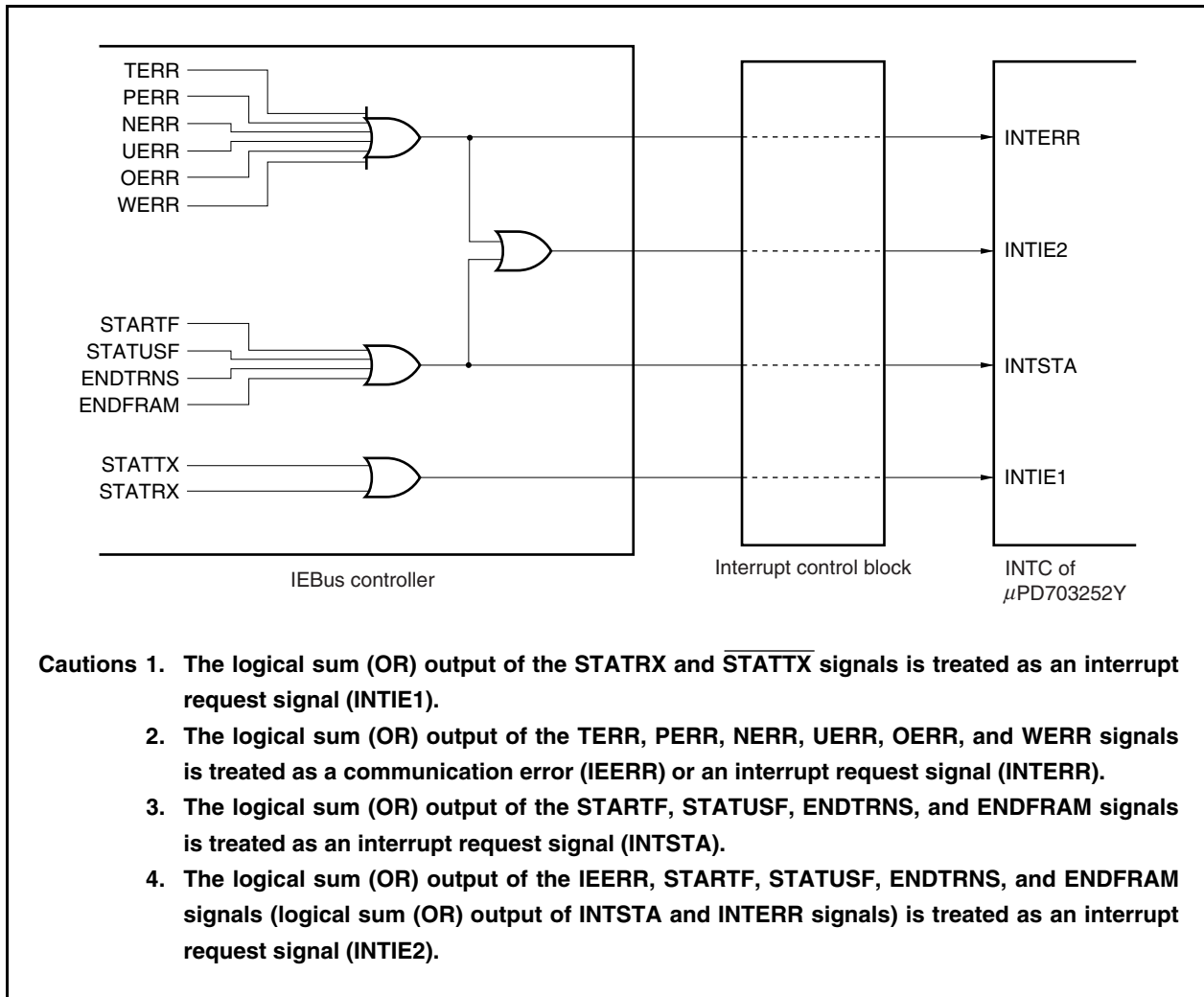


Table 16-16. Interrupt Request Signal Generation Source List

| Interrupt Source              | Symbol  | Interrupt Request Signal |        |        |        |
|-------------------------------|---------|--------------------------|--------|--------|--------|
|                               |         | INTIE1                   | INTIE2 | INTERR | INTSTA |
| Communication error interrupt | IEERR   |                          | √      | √      |        |
| Timing error                  | TERR    |                          |        |        |        |
| Parity error                  | PERR    |                          |        |        |        |
| NACK reception error          | NERR    |                          |        |        |        |
| Underrun error                | UERR    |                          |        |        |        |
| Overrun error                 | OERR    |                          |        |        |        |
| Write error                   | WERR    |                          |        |        |        |
| Start interrupt               | STARTF  |                          | √      |        | √      |
| Status transmission           | STATUSF |                          | √      |        | √      |
| End of communication          | ENDTRNS |                          | √      |        | √      |
| End of frame                  | ENDFRAM |                          | √      |        | √      |
| Transmit data write request   | STATTX  | √                        |        |        |        |
| Receive data write request    | STATRX  | √                        |        |        |        |

16.4.2 Example of identifying interrupt

The IEBus controller processes interrupts in the following two ways.

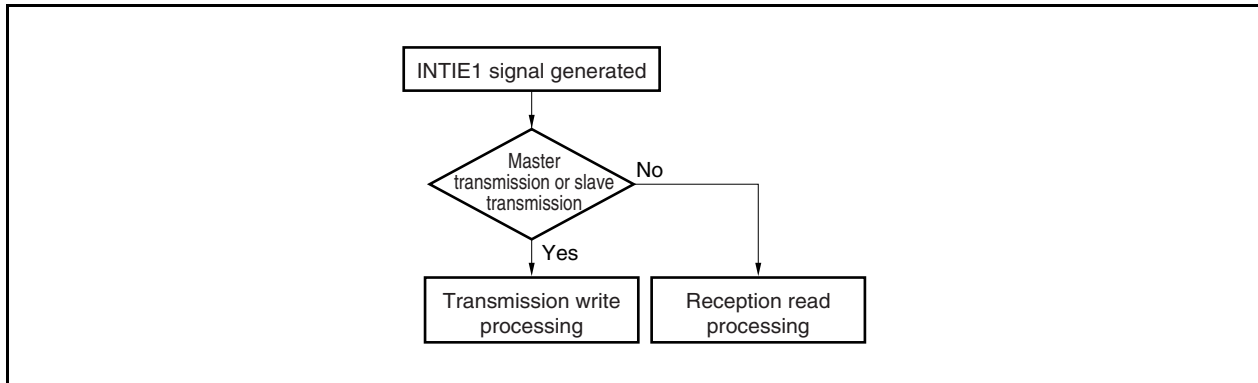
- Using three interrupt request signals: INTIE1, INTERR, and INTSTA
- Using two interrupt request signals: INTIE1 and INTIE2

**Caution** Mask the interrupt sources that are not used so that the interrupts do not occur.

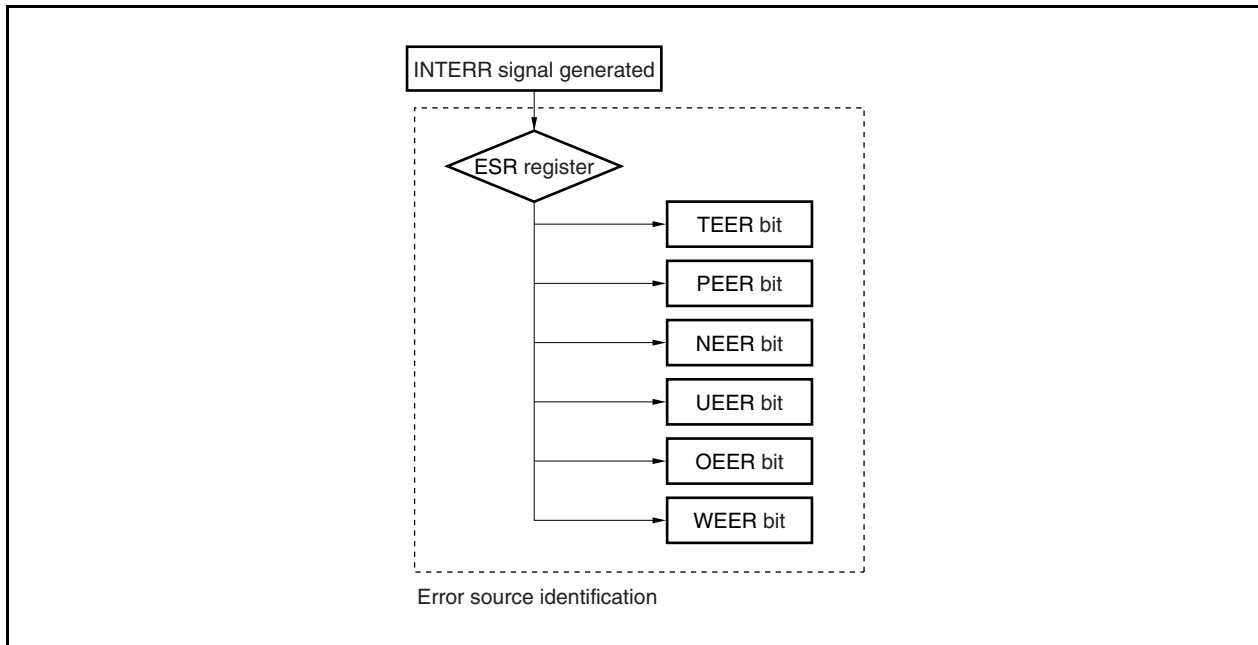
How an interrupt is identified in each of the above cases is explained below.

(1) When INTIE1, INTERR, and INTSTA signals are used

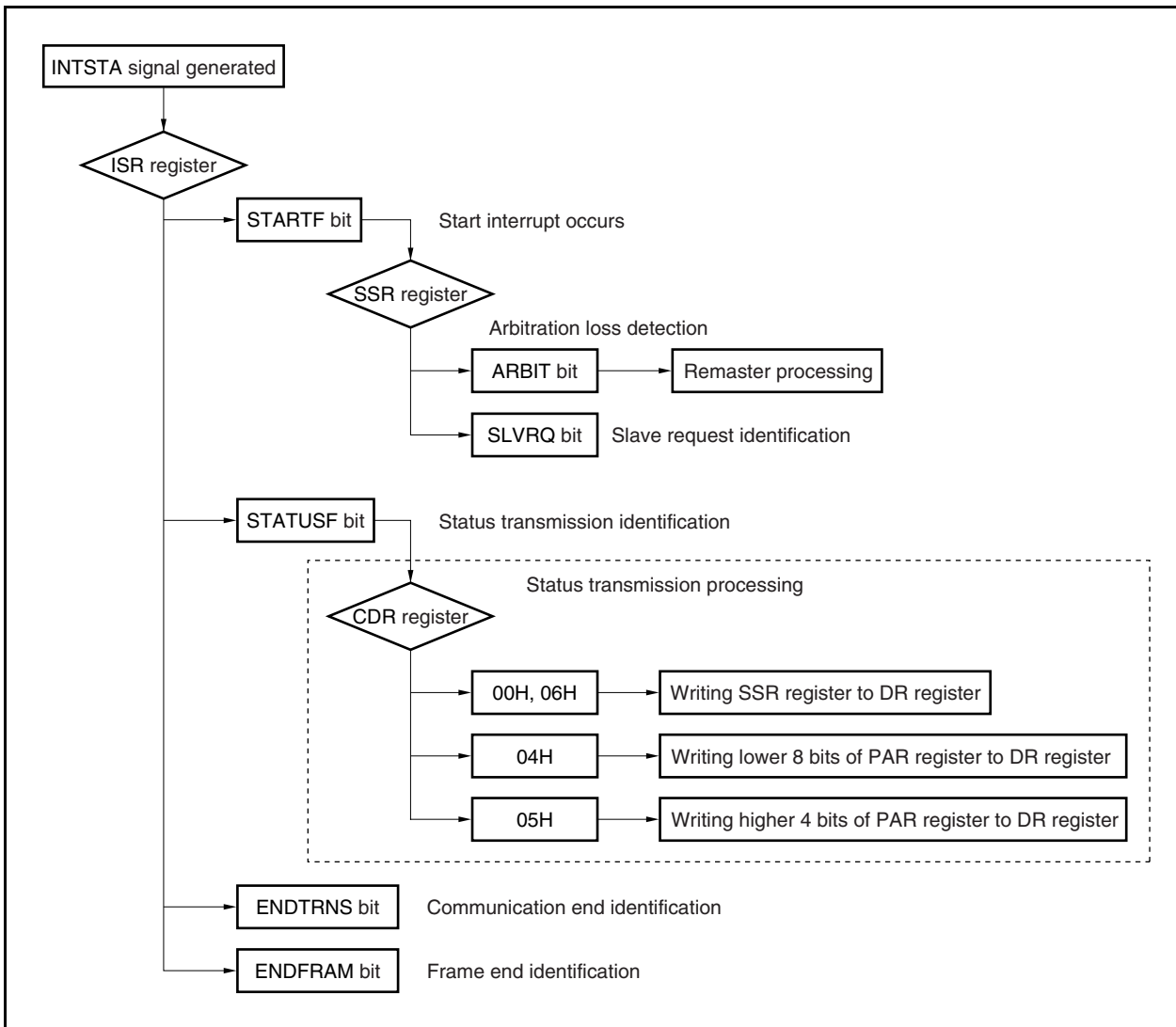
**Figure 16-21. Example of Identifying INTIE1 Signal Interrupt  
(When INTIE1, INTERR, and INTSTA Signals Are Used)**



**Figure 16-22. Example of Identifying INTERR Signal Interrupt  
(When INTIE1, INTERR, and INTSTA Signals Are Used)**



**Figure 16-23. Example of Identifying INTSTA Signal Interrupt (When INTIE1, INTERR, and INTSTA Signals Are Used)**



**(2) When INTIE1 and INTIE2 signals are used**

**Figure 16-24. Example of Identifying INTIE1 Signal Interrupt (When INTIE1 and INTIE2 Signals Are Used)**

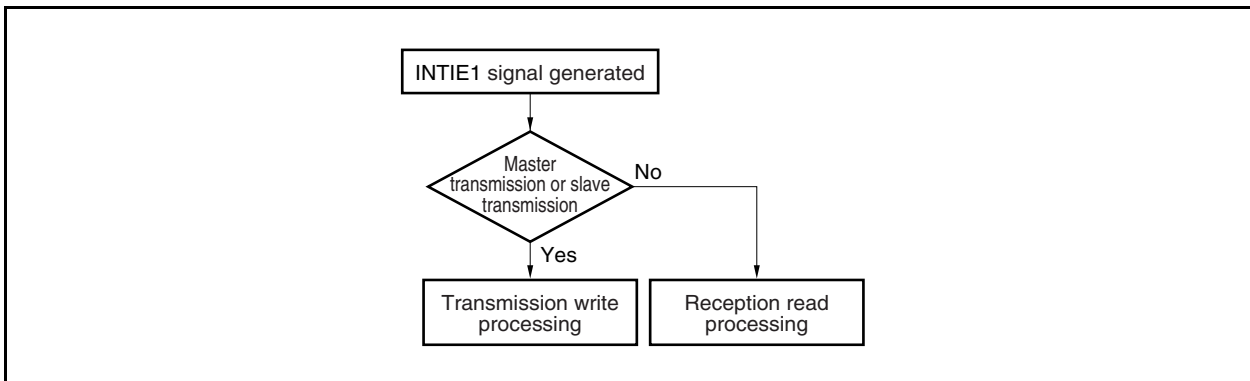
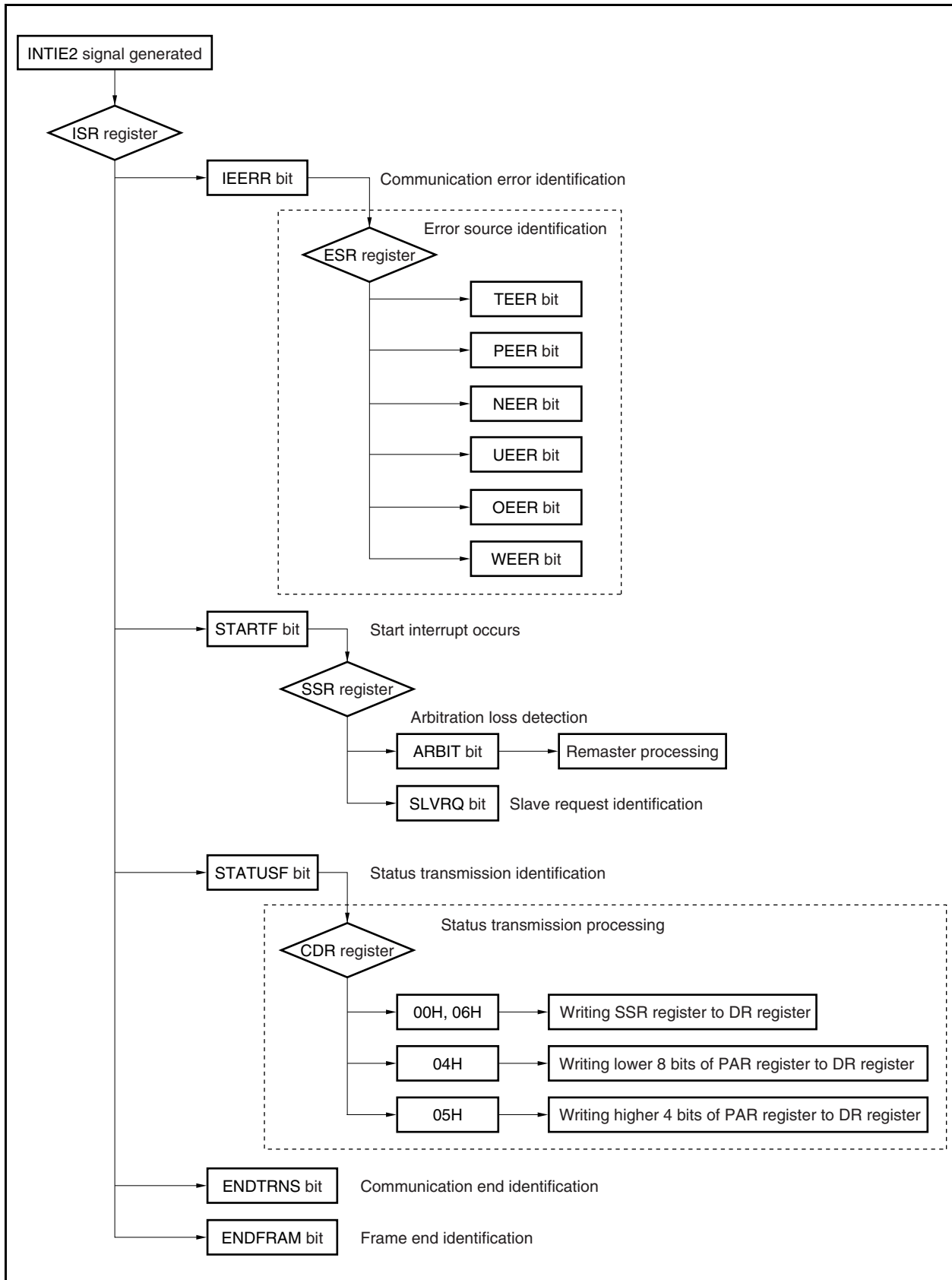


Figure 16-25. Example of Identifying INTIE2 Signal Interrupt (When INTIE1 and INTIE2 Signals Are Used)



## 16.4.3 Interrupt source list

<R> Interrupt request signals can be specified via software. The interrupt sources are listed below.

Table 16-17. Interrupt Source List

| Interrupt Source     |                | Condition of Generation  |                                                                                                                          | Software Processing After Generation of Interrupt Request Signal                                                         | Remark                                                                                                                                              |
|----------------------|----------------|--------------------------|--------------------------------------------------------------------------------------------------------------------------|--------------------------------------------------------------------------------------------------------------------------|-----------------------------------------------------------------------------------------------------------------------------------------------------|
|                      |                | Unit                     | Field                                                                                                                    |                                                                                                                          |                                                                                                                                                     |
| Communication error  | Timing error   | Master/slave             | All fields                                                                                                               | Undo communication processing                                                                                            | Communication error is logical sum (OR) output of timing error, parity error, NACK reception error, underrun error, overrun error, and write error. |
|                      | Parity error   | Reception                | Other than data (individual)                                                                                             |                                                                                                                          |                                                                                                                                                     |
|                      |                |                          | All fields (broadcast)                                                                                                   |                                                                                                                          |                                                                                                                                                     |
|                      | NACK reception | Reception (Transmission) | Other than data (individual)                                                                                             |                                                                                                                          |                                                                                                                                                     |
|                      | Underrun error | Transmission             | Data                                                                                                                     |                                                                                                                          |                                                                                                                                                     |
|                      | Overrun error  | Reception                | Data (broadcast)                                                                                                         |                                                                                                                          |                                                                                                                                                     |
|                      | Write error    | Transmission             | Data                                                                                                                     |                                                                                                                          |                                                                                                                                                     |
| Start interrupt      | Master         | Slave/address            | Slave request judgment<br>Arbitration judgment<br>(If lost, remaster processing)<br>Communication preparation processing | Slave request judgment<br>Arbitration judgment<br>(If lost, remaster processing)<br>Communication preparation processing | Interrupt always occurs if lost in arbitration during master request                                                                                |
|                      |                | Slave                    | Slave/address                                                                                                            |                                                                                                                          |                                                                                                                                                     |
| Status transmission  | Slave          | Control                  | Refer to transmission processing example such as slave status.                                                           | Refer to transmission processing example such as slave status.                                                           | Interrupt occurs regardless of slave transmission enable flag<br>Interrupt occurs if NACK is returned in the control field.                         |
| End of communication | Transmission   | Data                     | Communication end processing                                                                                             | Communication end processing<br>Receive data processing                                                                  | Set if SCR register is cleared to 00H                                                                                                               |
|                      | Reception      | Data                     | Communication end processing                                                                                             |                                                                                                                          |                                                                                                                                                     |
| End of frame         | Transmission   | Data                     | Retransmission preparation processing                                                                                    | Retransmission preparation processing<br>Re-reception preparation processing                                             | Set if CCR register is cleared to 00H                                                                                                               |
|                      | Reception      | Data                     | Re-reception preparation processing                                                                                      |                                                                                                                          |                                                                                                                                                     |
| Transmit data write  | Transmission   | Data                     | Reading of transmit data <sup>Note</sup>                                                                                 | Reading of transmit data <sup>Note</sup>                                                                                 | Set after transfer transmission data to internal shift register<br>This does not occur when the last data is transferred.                           |
| Receive data read    | Reception      | Data                     | Reading of received data <sup>Note</sup>                                                                                 | Reading of received data <sup>Note</sup>                                                                                 | Set after normal data reception                                                                                                                     |

&lt;R&gt;

&lt;R&gt;

&lt;R&gt;

**Note** If software manipulation is not executed.

16.4.4 Communication error source processing list

The following table shows the occurrence conditions of the communication errors (timing error, NACK reception error, overrun error, underrun error, parity error, and write error), error processing by the IEBus controller, and examples of processing by software.

Table 16-18. Communication Error Source Processing List (1/2)

|                          |                        | Timing Error                                                                                                                                                                                        |            |                                                                                                                                          |            |
|--------------------------|------------------------|-----------------------------------------------------------------------------------------------------------------------------------------------------------------------------------------------------|------------|------------------------------------------------------------------------------------------------------------------------------------------|------------|
| Occurrence condition     | Unit status            | Reception                                                                                                                                                                                           |            | Transmission                                                                                                                             |            |
|                          | Occurrence condition   | If bit specification timing is not correct                                                                                                                                                          |            |                                                                                                                                          |            |
|                          | Location of occurrence | Other than data field                                                                                                                                                                               | Data field | Other than data field                                                                                                                    | Data field |
| Broadcast communication  | Hardware processing    | <ul style="list-style-type: none"> <li>Reception stops.</li> <li>INTIE2 signal occurs</li> <li>To start bit waiting status</li> </ul> <b>Remark</b> Communication between other units does not end. |            | <ul style="list-style-type: none"> <li>Transmission stops.</li> <li>INTIE2 signal occurs</li> <li>To start bit waiting status</li> </ul> |            |
|                          | Software processing    | <ul style="list-style-type: none"> <li>Error processing (such as retransmission request)</li> </ul>                                                                                                 |            | <ul style="list-style-type: none"> <li>Error processing (such as retransmission request)</li> </ul>                                      |            |
| Individual communication | Hardware processing    | <ul style="list-style-type: none"> <li>Reception stops.</li> <li>INTIE2 signal occurs</li> <li>NACK signal is returned.</li> <li>To start bit waiting status</li> </ul>                             |            | <ul style="list-style-type: none"> <li>Transmission stops.</li> <li>INTIE2 signal occurs</li> <li>To start bit waiting status</li> </ul> |            |
|                          | Software processing    | <ul style="list-style-type: none"> <li>Error processing (such as retransmission request)</li> </ul>                                                                                                 |            | <ul style="list-style-type: none"> <li>Error processing (such as retransmission request)</li> </ul>                                      |            |

|                          |                        | NACK Reception Error                                                                                                                   |                                                                                                                                        |                                                                                                                                        |                                                                                                                    |                                                                                                              |
|--------------------------|------------------------|----------------------------------------------------------------------------------------------------------------------------------------|----------------------------------------------------------------------------------------------------------------------------------------|----------------------------------------------------------------------------------------------------------------------------------------|--------------------------------------------------------------------------------------------------------------------|--------------------------------------------------------------------------------------------------------------|
| Occurrence condition     | Unit status            | Reception                                                                                                                              |                                                                                                                                        | Transmission                                                                                                                           |                                                                                                                    |                                                                                                              |
|                          | Occurrence condition   | Unit NACK signal transmission                                                                                                          |                                                                                                                                        | Unit NACK signal transmission                                                                                                          |                                                                                                                    |                                                                                                              |
|                          | Location of occurrence | Other than data field                                                                                                                  | Data field                                                                                                                             | Other than data field                                                                                                                  | Data field                                                                                                         | NACK signal reception of data of 32nd byte                                                                   |
| Broadcast communication  | Hardware processing    | –                                                                                                                                      | –                                                                                                                                      | –                                                                                                                                      | –                                                                                                                  | –                                                                                                            |
|                          | Software processing    | –                                                                                                                                      | –                                                                                                                                      | –                                                                                                                                      | –                                                                                                                  | –                                                                                                            |
| Individual communication | Hardware processing    | <ul style="list-style-type: none"> <li>Reception stops.</li> <li>INTIE2 signal occurs.</li> <li>To start bit waiting status</li> </ul> | <ul style="list-style-type: none"> <li>INTIE2 signal does not occur.</li> <li>Data retransmitted by other unit is received.</li> </ul> | <ul style="list-style-type: none"> <li>Reception stops.</li> <li>INTIE2 signal occurs.</li> <li>To start bit waiting status</li> </ul> | <ul style="list-style-type: none"> <li>INTIE2 signal does not occur.</li> <li>Retransmission processing</li> </ul> | <ul style="list-style-type: none"> <li>INTIE2 signal occurs.</li> <li>To start bit waiting status</li> </ul> |
|                          | Software processing    | <ul style="list-style-type: none"> <li>Error processing (such as retransmission request)</li> </ul>                                    | –                                                                                                                                      | <ul style="list-style-type: none"> <li>Error processing (such as retransmission request)</li> </ul>                                    | –                                                                                                                  | <ul style="list-style-type: none"> <li>Error processing (such as retransmission request)</li> </ul>          |



**Table 16-18. Communication Error Source Processing List (2/2)**

|                          |                        | Overrun Error                                                        |                                                                                                                                                                                                                                                                                                                                            | Underrun Error/Write Error                                                 |                                                                                                                                           |
|--------------------------|------------------------|----------------------------------------------------------------------|--------------------------------------------------------------------------------------------------------------------------------------------------------------------------------------------------------------------------------------------------------------------------------------------------------------------------------------------|----------------------------------------------------------------------------|-------------------------------------------------------------------------------------------------------------------------------------------|
| Occurrence condition     | Unit status            | Reception                                                            |                                                                                                                                                                                                                                                                                                                                            | Transmission                                                               |                                                                                                                                           |
|                          | Occurrence condition   | DR register cannot be read in time before the next data is received. |                                                                                                                                                                                                                                                                                                                                            | DR register cannot be written in time before the next data is transmitted. |                                                                                                                                           |
|                          | Location of occurrence | Other than data field                                                | Data field                                                                                                                                                                                                                                                                                                                                 | Other than data field                                                      | Data field                                                                                                                                |
| Broadcast communication  | Hardware processing    | –                                                                    | <ul style="list-style-type: none"> <li>Reception stops.</li> <li>INTIE2 signal occurs.</li> <li>To start bit waiting status</li> </ul> <p><b>Remarks</b></p> <ol style="list-style-type: none"> <li>1. Communication between other units does not end.</li> <li>2. Data cannot be received until the overrun status is cleared.</li> </ol> | –                                                                          | <ul style="list-style-type: none"> <li>Transmission stops.</li> <li>INTIE2 signal occurs.</li> <li>To start bit waiting status</li> </ul> |
|                          | Software processing    | –                                                                    | <ul style="list-style-type: none"> <li>DR register is read and overrun status is cleared.</li> <li>Error processing (such as retransmission request)</li> </ul>                                                                                                                                                                            | –                                                                          | <ul style="list-style-type: none"> <li>Error processing (such as retransmission request)</li> </ul>                                       |
| Individual communication | Hardware processing    | –                                                                    | <ul style="list-style-type: none"> <li>INTIE2 signal does not occur.</li> <li>NACK signal is returned.</li> <li>Data is retransmitted from other unit.</li> </ul> <p><b>Remark</b> Data cannot be received until overrun status is cleared.</p>                                                                                            | –                                                                          | <ul style="list-style-type: none"> <li>Transmission stops.</li> <li>INTIE2 signal occurs.</li> <li>To start bit waiting status</li> </ul> |
|                          | Software processing    | –                                                                    | <ul style="list-style-type: none"> <li>DR register is read and overrun status is cleared.</li> <li>Error processing (such as retransmission request)</li> </ul>                                                                                                                                                                            | –                                                                          | <ul style="list-style-type: none"> <li>Error processing (such as retransmission request)</li> </ul>                                       |

|                          |                        | Parity Error                                                                                                                                                                                                |                                                                                                                                                                                                            |                       |            |
|--------------------------|------------------------|-------------------------------------------------------------------------------------------------------------------------------------------------------------------------------------------------------------|------------------------------------------------------------------------------------------------------------------------------------------------------------------------------------------------------------|-----------------------|------------|
| Occurrence condition     | Unit status            | Reception                                                                                                                                                                                                   |                                                                                                                                                                                                            | Transmission          |            |
|                          | Occurrence condition   | Received data and received parity do not match.                                                                                                                                                             |                                                                                                                                                                                                            | –                     |            |
|                          | Location of occurrence | Other than data field                                                                                                                                                                                       | Data field                                                                                                                                                                                                 | Other than data field | Data field |
| Broadcast communication  | Hardware processing    | <ul style="list-style-type: none"> <li>Reception stops.</li> <li>INTIE2 signal occurs.</li> <li>To start bit waiting status</li> </ul> <p><b>Remark</b> Communication between other units does not end.</p> |                                                                                                                                                                                                            | –                     | –          |
|                          | Software processing    | <ul style="list-style-type: none"> <li>Error processing (such as retransmission request)</li> </ul>                                                                                                         |                                                                                                                                                                                                            | –                     | –          |
| Individual communication | Hardware processing    | <ul style="list-style-type: none"> <li>Reception stops.</li> <li>INTIE2 signal occurs.</li> <li>To start bit waiting status</li> </ul>                                                                      | <ul style="list-style-type: none"> <li>Reception does not stop.</li> <li>INTIE2 signal does not occur.</li> <li>NACK signal is returned.</li> <li>Data retransmitted by other unit is received.</li> </ul> | –                     | –          |
|                          | Software processing    | <ul style="list-style-type: none"> <li>Error processing (such as retransmission request)</li> </ul>                                                                                                         | –                                                                                                                                                                                                          | –                     | –          |

## 16.5 Interrupt Request Signal Generation Timing and Main CPU Processing

### <R> 16.5.1 Master transmission

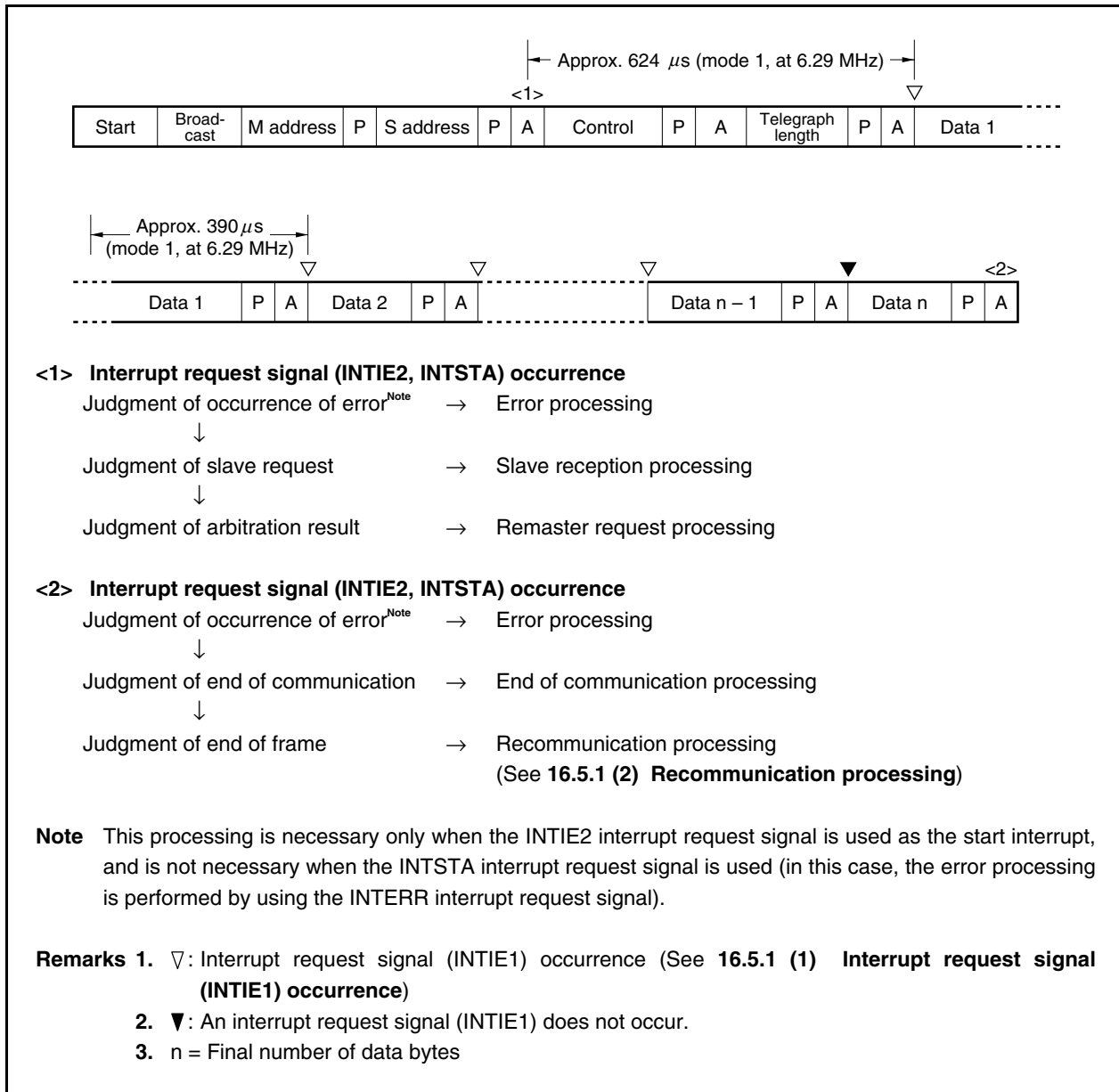
Initial preparation processing:

Sets a unit address, slave address, control data, telegraph length, and the first byte of the transmit data.

Communication start processing:

Set the BCR register (enable communication, master request, and slave reception).

**Figure 16-26. Master Transmission**



**(1) Interrupt request signal (INTIE1) occurrence**

If the NACK signal is received from the slave in the data field, an interrupt request signal (INTIE1) is not issued to the interrupt controller (INTC), and the same data is retransmitted by hardware.

If the transmit data is not written in time during the period of writing the next data, a communication error interrupt request signal (INTERR) occurs due to occurrence of underrun, and communication ends midway.

**(2) Recommunication processing**

In the vector interrupt servicing in <2> in Figure 16-26, it is judged whether the data has been correctly transmitted within one frame. If the data has not been correctly transmitted (if the number of data to be transmitted in one frame could not be transmitted), the data must be retransmitted in the next frame, or the remainder of the data must be transmitted.

**16.5.2 Master reception**

Before performing master reception, it is necessary to notify the unit that will be the slave of slave transmission. Therefore, more than two communication frames are necessary for master reception. The slave unit prepares the transmit data, sets (1) the slave transmission enable flag (BCR.ENSLVTX bit), and waits.

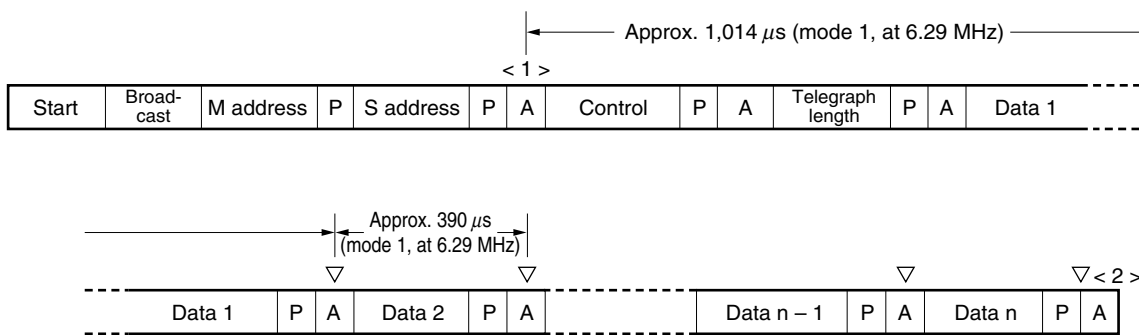
Initial preparation processing:

Set a unit address, slave address, and control data.

Communication start processing:

Set the BCR register (enable communication and master request).

**Figure 16-27. Master Reception**



**<1> Interrupt request signal (INTIE2, INTSTA) occurrence**

- Judgment of occurrence of error<sup>Note</sup> → Error processing
- ↓
- Judgment of slave request → Slave processing
- ↓
- Judgment of arbitration result → Remaster request processing

**<2> Interrupt request signal (INTIE2, INTSTA) occurrence**

- Judgment of occurrence of error<sup>Note</sup> → Error processing
- ↓
- Judgment of end of communication → End of communication processing
- ↓
- Judgment of end of frame → Frame end processing (See 16.5.2 (2) Frame end processing)

**Note** This processing is necessary only when the INTIE2 interrupt request signal is used as the start interrupt, and is not necessary when the INTSTA interrupt request signal is used (in this case, the error processing is performed by using the INTERR interrupt request signal).

- <R> **Remarks**
1. ▽: Interrupt request signal (INTIE1) occurrence (See 16.5.2 (1) Interrupt request signal (INTIE1) occurrence)
  2. n = Final number of data bytes

**(1) Interrupt request signal (INTIE1) occurrence**

If the NACK signal is transmitted (hardware processing) in the data field, an interrupt request signal (INTIE1) is not issued to the INTC, and the same data is retransmitted from the slave.

If the receive data is not read by the time the next data is received, the hardware automatically transmits the NACK signal.

**(2) Frame end processing**

In the vector interrupt servicing in <2> in Figure 16-27, it is judged whether the data has been correctly received within one frame. If the data has not been correctly received (if the number of data to be received in one frame could not be received), a request to retransmit the data must be made to the slave in the next communication frame.

## 16.5.3 Slave transmission

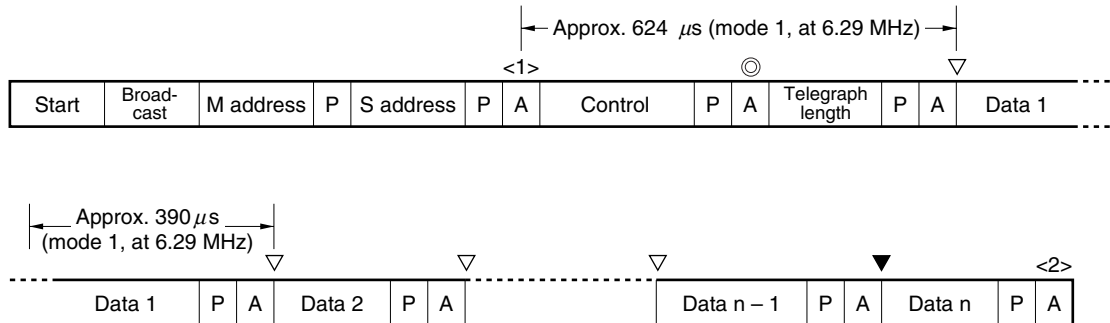
Initial preparation processing:

Set a unit address, telegraph length, and the first byte of the transmit data.

Communication start processing:

Set the BCR register (enable communication, slave transmission, and slave reception).

Figure 16-28. Slave Transmission



<1> **Interrupt request signal (INTIE2, INTSTA) occurrence**

Judgment of occurrence of error<sup>Note</sup> → Error processing

↓

Judgment of slave request

<2> **Interrupt request signal (INTIE2, INTSTA) occurrence**

Judgment of occurrence of error<sup>Note</sup> → Error processing

↓

Judgment of end of communication → End of communication processing

↓

Judgment of end of frame → Frame end processing (See 16.5.3 (2) **Frame end processing**)

**Note** This processing is necessary only when the INTIE2 interrupt request signal is used as the start interrupt, and is not necessary when the INTSTA interrupt request signal is used (in this case, the error processing is performed by using the INTERR interrupt request signal).

<R> **Remarks 1.** ▽: Interrupt request signal (INTIE1) occurrence (See 16.5.3 (1) **Interrupt request signal (INTIE1) occurrence**).

2. ▼: An interrupt request signal (INTIE1) does not occur.

3. ©: Interrupt request signal (INTIE2) occurrence

An interrupt request signal occurs only when 0H, 4H, 5H, or 6H is received in the control field in the slave status (for the slave status response operation during the locked status, see 16.3 (11) **IEBus control data register (CDR)**).

4. n = Final number of data bytes

**(1) Interrupt request signal (INTIE1) occurrence**

If the NACK signal is received from the master in the data field, an interrupt request signal (INTIE1) is not issued to the INTC, and the same data is retransmitted by hardware.

If the transmit data is not written in time during the period of writing the next data, a communication error interrupt request signal (INTERR) occurs due to occurrence of underrun, and communication is abnormally ended.

**(2) Frame end processing**

In the vector interrupt servicing in <2> in Figure 16-28, it is judged whether the data has been correctly transmitted within one frame. If the data has not been correctly transmitted (if the number of data to be transmitted in one frame could not be transmitted), the data must be retransmitted in the next frame, or the remaining data must be transmitted.

16.5.4 Slave reception

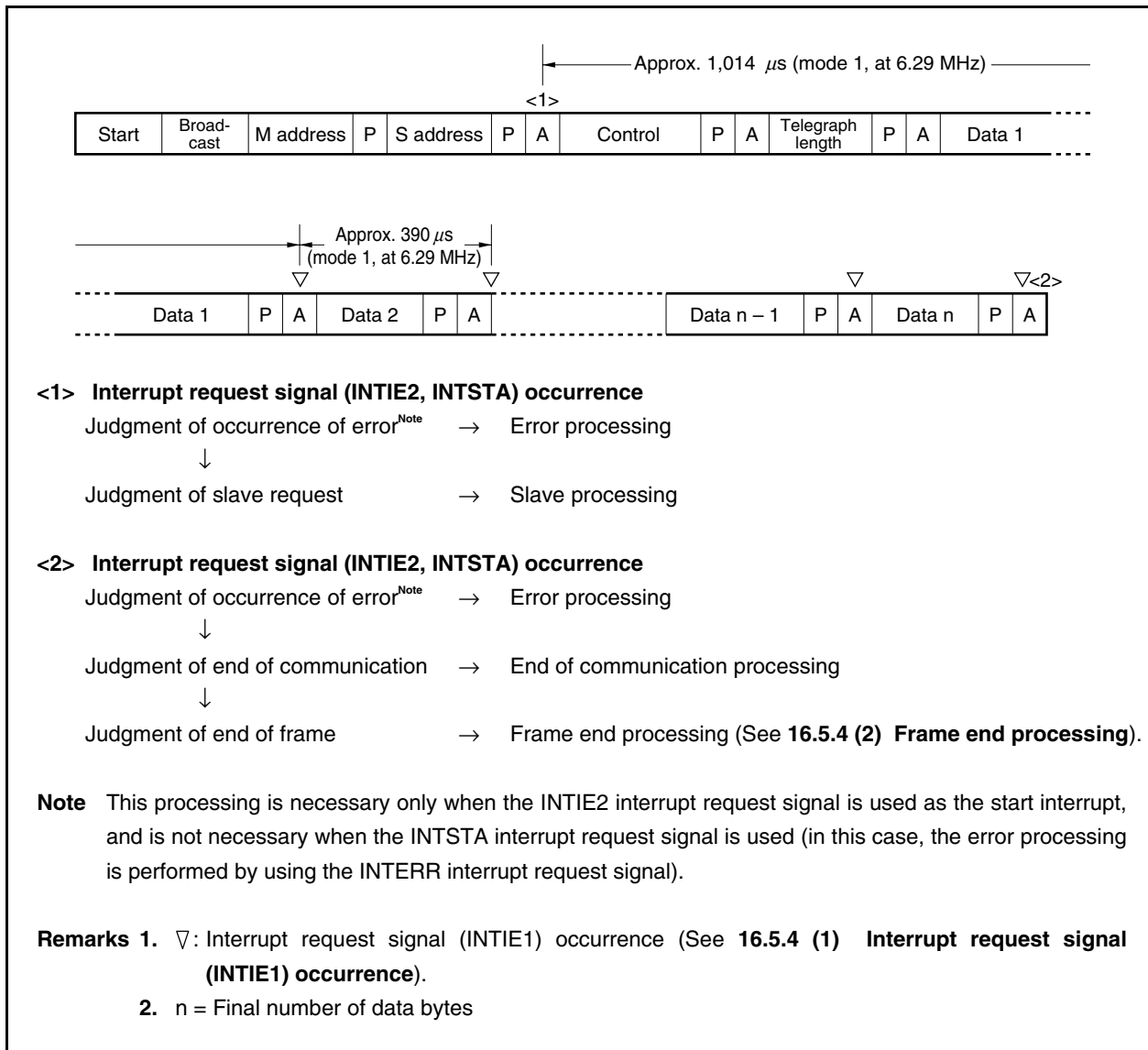
Initial preparation processing:

Set a unit address.

Communication start processing:

Set the BCR register (enable communication, disables slave transmission, and enables slave reception).

Figure 16-29. Slave Reception





**(1) Interrupt request signal (INTIE1) occurrence**

If the NACK signal is transmitted in the data field, an interrupt request signal (INTIE1) is not issued to the INTC, and the same data is retransmitted from the master.

If the receive data is not read by the time the next data is received, the NACK signal is automatically transmitted.

**(2) Frame end processing**

In the vector interrupt servicing in <2> in Figure 16-29, it is judged whether the data has been correctly received within one frame.

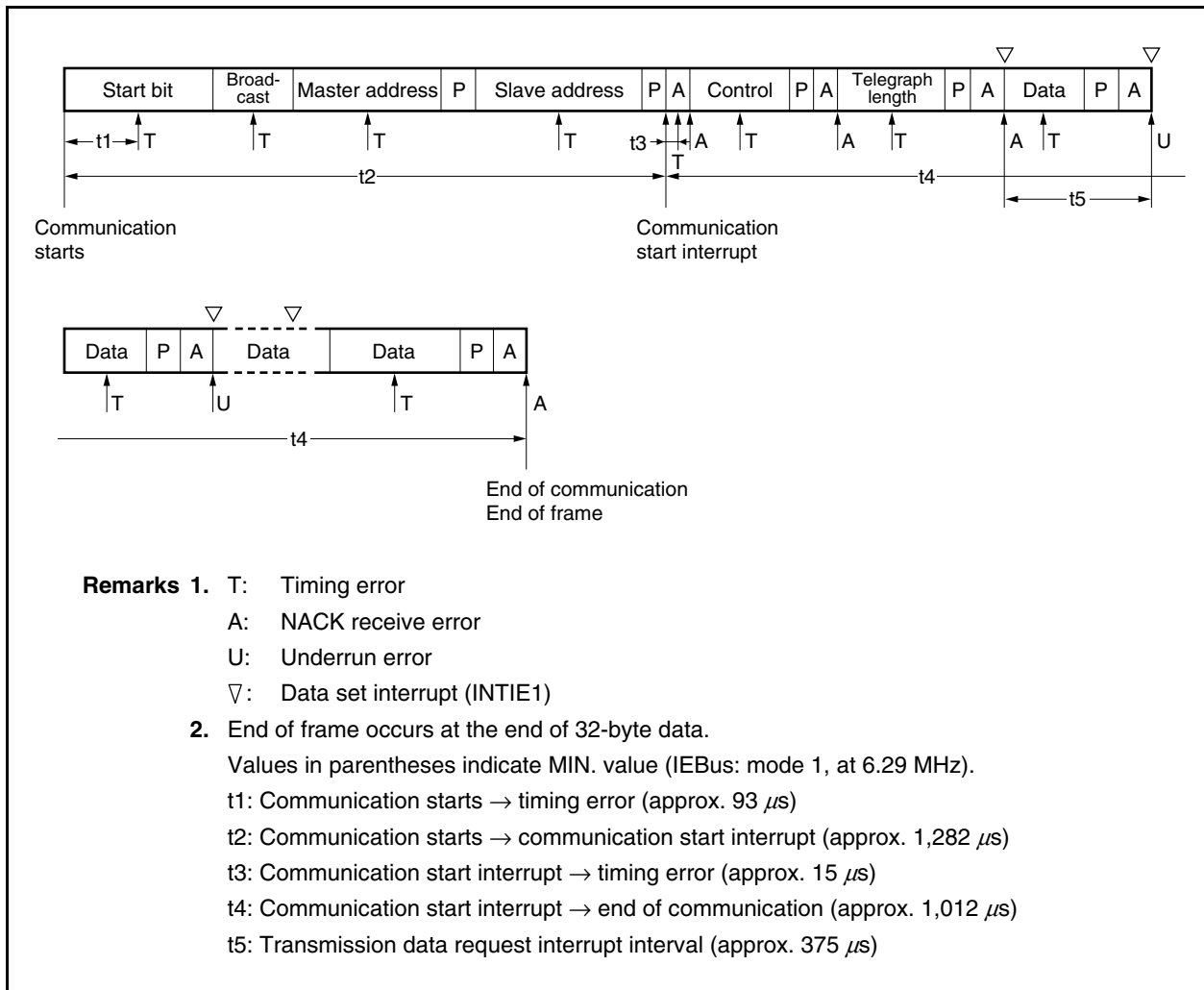
**16.5.5 Interval of occurrence of interrupt request signal for IEBus control**

Each control interrupt request signal must occur at each point of communication and perform the necessary processing until the next interrupt request signal occurs. Therefore, the IEBus control block is controlled by software, taking the shortest time of this interrupt request signal occurrence interval into consideration.

The locations at which the following interrupt request signals may occur are indicated by  $\hat{\uparrow}$  in the field where it may occur.  $\hat{\uparrow}$  does not mean that the interrupt request signal occurs at each of the points indicated by  $\hat{\uparrow}$ . If an error interrupt request signal (timing error, parity error, or NACK receive error) occurs, the IEBus internal circuit is initialized. As a result, the following interrupt request signal does not occur in that communication frame.

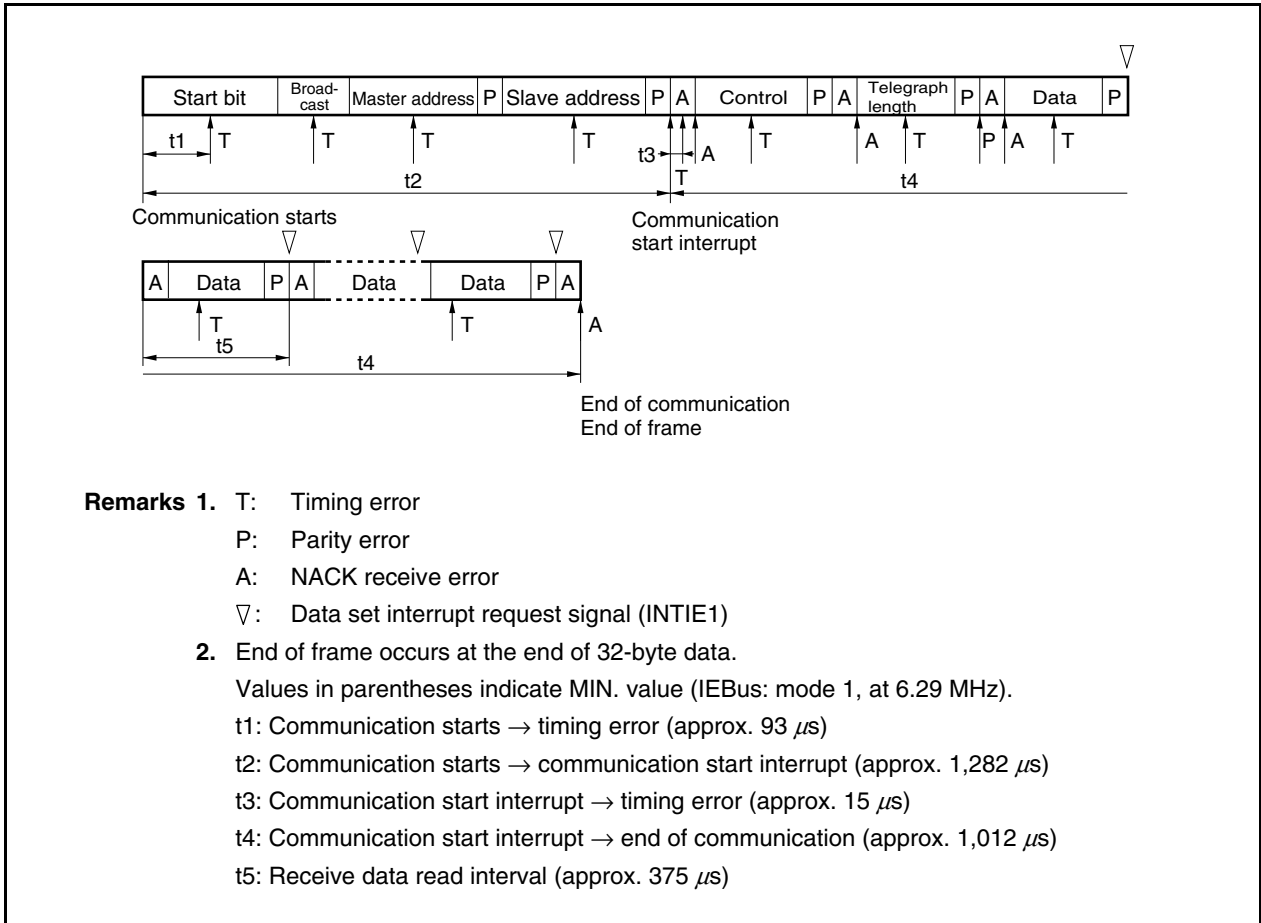
**(1) Master transmission**

**Figure 16-30. Master Transmission (Interval of Interrupt Request Signal Occurrence)**



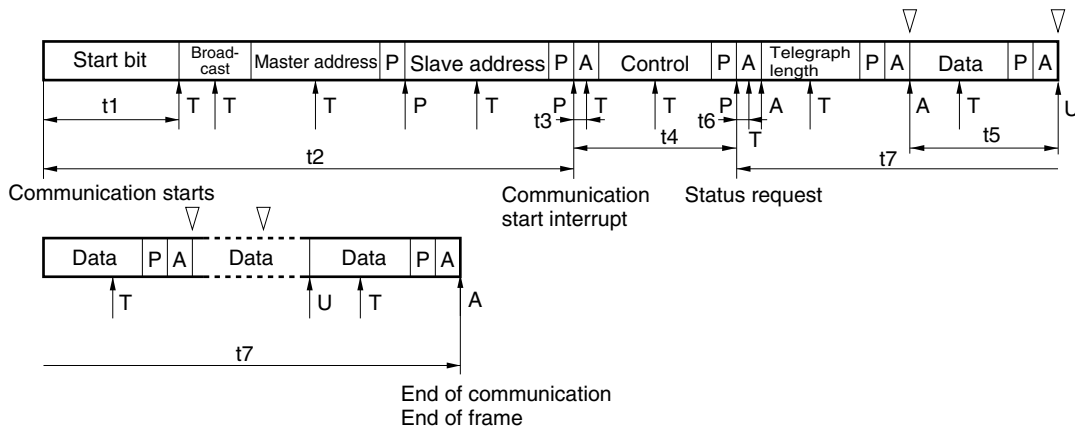
(2) Master reception

Figure 16-31. Master Reception (Interval of Interrupt Request Signal Occurrence)



(3) Slave transmission

Figure 16-32. Slave Transmission (Interval of Interrupt Request Signal Occurrence)



**Remarks 1.** T: Timing error

P: Parity error

A: NACK receive error

U: Underrun error

▽: Data set interrupt (INTIE1)

**2.** End of frame occurs at the end of 32-byte data.

Values in parentheses indicate MIN. value (IEBus: mode 1, at 6.29 MHz).

t1: Communication starts → timing error (approx. 196  $\mu$ s)

t2: Communication starts → communication start interrupt (approx. 1,192  $\mu$ s)

t3: Communication start interrupt → timing error (approx. 15  $\mu$ s)

t4: Communication start interrupt → status request (approx. 225  $\mu$ s)

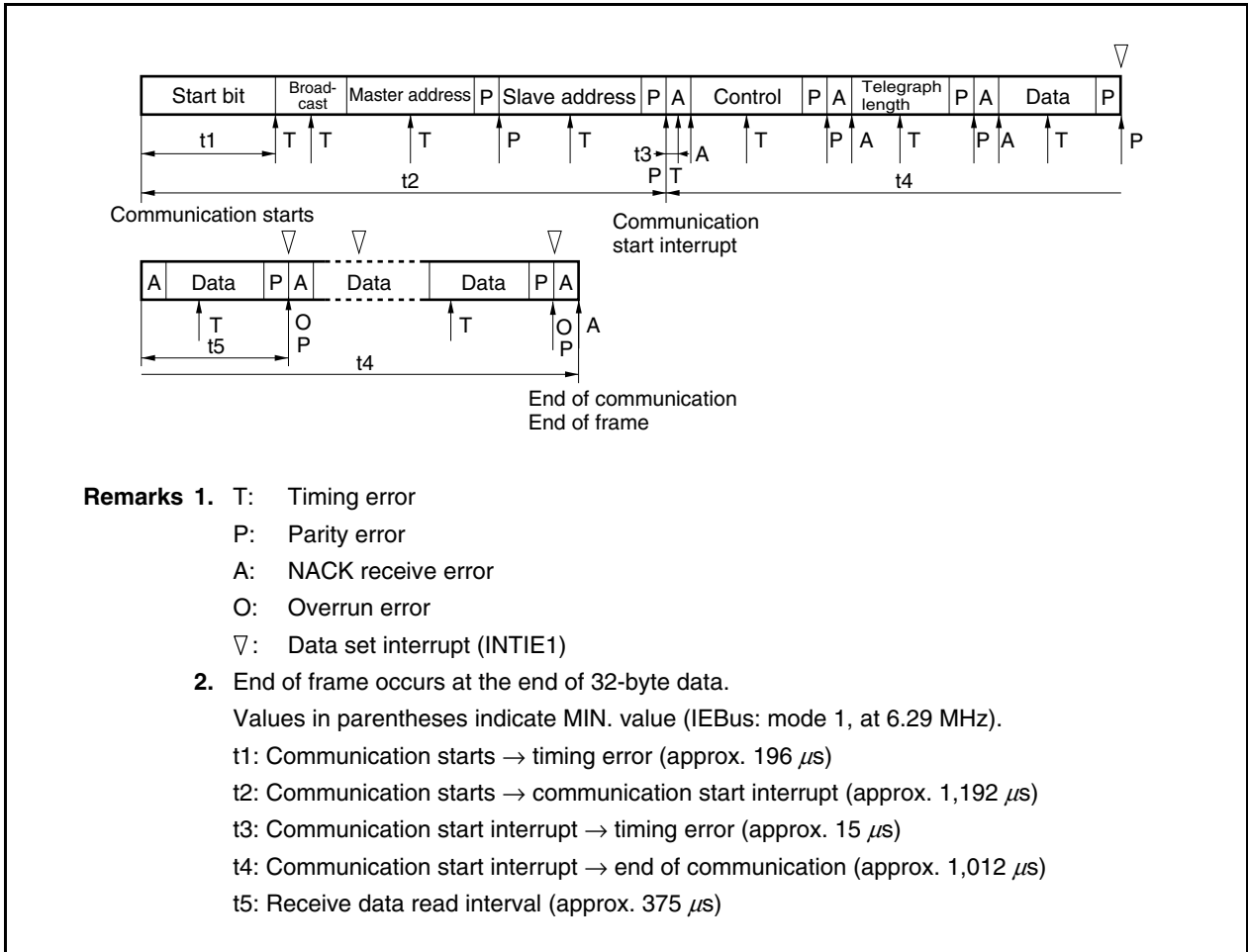
t5: Transmission data request interrupt interval (approx. 375  $\mu$ s)

t6: Status request → timing error (approx. 15  $\mu$ s)

t7: Status request → end of communication (approx. 787  $\mu$ s)

(4) Slave reception

Figure 16-33. Slave Reception (Interval of Interrupt Request Signal Occurrence)



The CAN controller is provided only in the  $\mu$ PD703253Y.

**Caution** The CAN controller is allocated in the programmable peripheral I/O area.  
Before using the CAN controller, enable use of the programmable peripheral I/O area by using the BPC register.  
For details, refer to 3.4.7 Programmable peripheral I/O registers.

## 17.1 Overview

The  $\mu$ PD703253Y features an on-chip 1-channel CAN (Controller Area Network) controller that complies with the CAN protocol as standardized in ISO 11898.

### 17.1.1 Features

- Compliant with ISO 11898 and tested according to ISO/DIS 16845 (CAN conformance test)
- Standard frame and extended frame transmission/reception enabled
- Transfer rate: 1 Mbps max. (CAN clock input  $\geq$  8 MHz)
- 32 message buffers/channels
- Receive/transmit history list function
- Automatic block transmission function
- Multi-buffer receive block function
- Mask setting of four patterns is possible for each channel

### 17.1.2 Overview of functions

Table 17-1 presents an overview of the CAN controller functions.

**Table 17-1. Overview of Functions**

| Function                   | Details                                                                                                                                                                                                                                                                                                                                                                                                                                                            |
|----------------------------|--------------------------------------------------------------------------------------------------------------------------------------------------------------------------------------------------------------------------------------------------------------------------------------------------------------------------------------------------------------------------------------------------------------------------------------------------------------------|
| Protocol                   | CAN protocol ISO 11898 (standard and extended frame transmission/reception)                                                                                                                                                                                                                                                                                                                                                                                        |
| Baud rate                  | Maximum 1 Mbps (CAN clock input $\geq$ 8 MHz)                                                                                                                                                                                                                                                                                                                                                                                                                      |
| Data storage               | Storing messages in the CAN RAM                                                                                                                                                                                                                                                                                                                                                                                                                                    |
| Number of messages         | <ul style="list-style-type: none"> <li>• 32 message buffers/channels</li> <li>• Each message buffer can be set to be either a transmit message buffer or a receive message buffer.</li> </ul>                                                                                                                                                                                                                                                                      |
| Message reception          | <ul style="list-style-type: none"> <li>• Unique ID can be set to each message buffer.</li> <li>• Mask setting of four patterns is possible for each channel.</li> <li>• A receive completion interrupt is generated each time a message is received and stored in a message buffer.</li> <li>• Two or more receive message buffers can be used as a FIFO receive buffer (multi-buffer receive block function).</li> <li>• Receive history list function</li> </ul> |
| Message transmission       | <ul style="list-style-type: none"> <li>• Unique ID can be set to each message buffer.</li> <li>• Transmit completion interrupt for each message buffer</li> <li>• Message buffer numbers 0 to 7 specified as transmit message buffers can be used for automatic block transfer. Message transmission interval is programmable (automatic block transmission function (hereafter referred to as "ABT")).</li> <li>• Transmission history list function</li> </ul>   |
| Remote frame processing    | Remote frame processing by transmit message buffer                                                                                                                                                                                                                                                                                                                                                                                                                 |
| Diagnostic function        | <ul style="list-style-type: none"> <li>• Readable error counters</li> <li>• "Valid protocol operation flag" for verification of bus connections</li> <li>• Receive-only mode</li> <li>• Single-shot mode</li> <li>• CAN protocol error type decoding</li> <li>• Self-test mode</li> </ul>                                                                                                                                                                          |
| Release from bus-off state | <ul style="list-style-type: none"> <li>• Can be forcibly released from bus-off by software (timing restrictions are ignored).</li> <li>• Cannot be automatically released from bus-off (release request by software is required).</li> </ul>                                                                                                                                                                                                                       |
| Power save mode            | <ul style="list-style-type: none"> <li>• CAN sleep mode (can be woken up by CAN bus)</li> <li>• CAN stop mode (cannot be woken up by CAN bus)</li> </ul>                                                                                                                                                                                                                                                                                                           |

### 17.1.3 Configuration

The CAN controller is composed of the following four blocks.

**(1) NPB interface**

This functional block provides an NPB (NEC Peripheral I/O Bus) interface and means of transmitting and receiving signals between the CAN module and the host CPU.

**(2) MCM (Memory Control Module)**

This functional block controls access to the CAN protocol layer and to the CAN RAM within the CAN module.

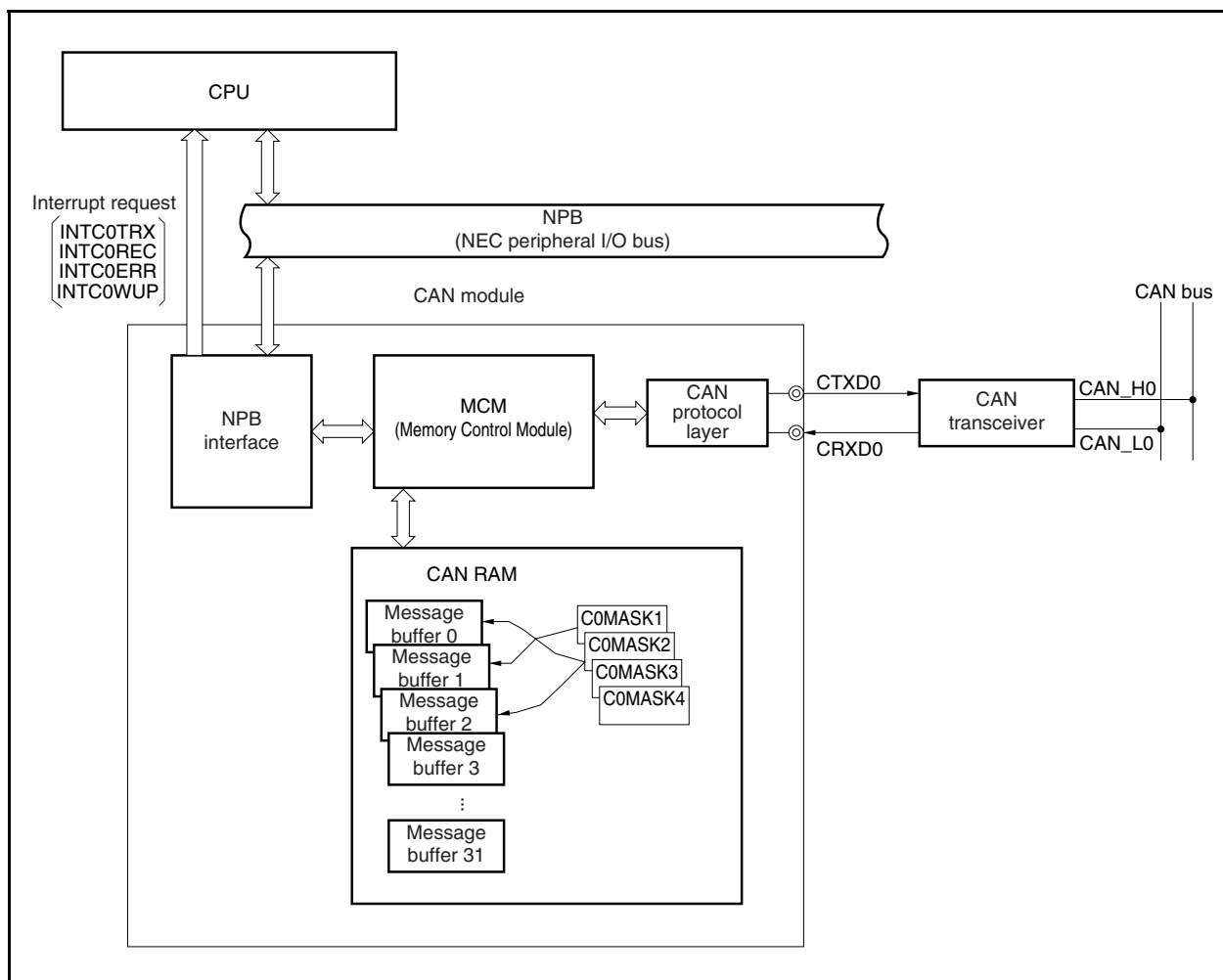
**(3) CAN protocol layer**

This functional block is involved in the operation of the CAN protocol and its related settings.

**(4) CAN RAM**

This is the CAN memory functional block, which is used to store message IDs, message data, etc.

**Figure 17-1. Block Diagram of CAN Module**



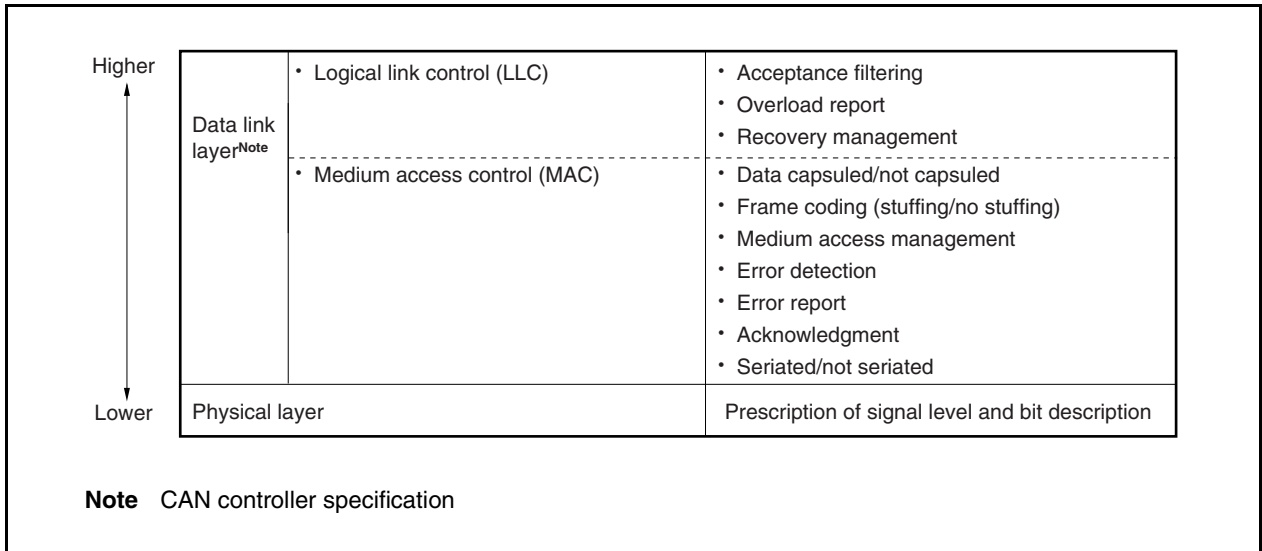


## 17.2 CAN Protocol

CAN (Controller Area Network) is a high-speed multiplex communication protocol for real-time communication in automotive applications (class C). CAN is prescribed by ISO 11898. For details, refer to the ISO 11898 specifications.

The CAN specification is generally divided into two layers: a physical layer and a data link layer. In turn, the data link layer includes logical link and medium access control. The composition of these layers is illustrated below.

**Figure 17-2. Composition of Layers**



### 17.2.1 Frame format

**(1) Standard format frame**

- The standard format frame uses 11-bit identifiers, which means that it can handle up to 2,048 messages.

**(2) Extended format frame**

- The extended format frame uses 29-bit (11 bits + 18 bits) identifiers, which increases the number of messages that can be handled to  $2,048 \times 2^{18}$  messages.
- An extended format frame is set when “recessive level” (CMOS level of “1”) is set for both the SRR and IDE bits in the arbitration field.

### 17.2.2 Frame types

The following four types of frames are used in the CAN protocol.

**Table 17-2. Frame Types**

| Frame Type     | Description                                             |
|----------------|---------------------------------------------------------|
| Data frame     | Frame used to transmit data                             |
| Remote frame   | Frame used to request a data frame                      |
| Error frame    | Frame used to report error detection                    |
| Overload frame | Frame used to delay the next data frame or remote frame |

#### (1) Bus value

The bus values are divided into dominant and recessive.

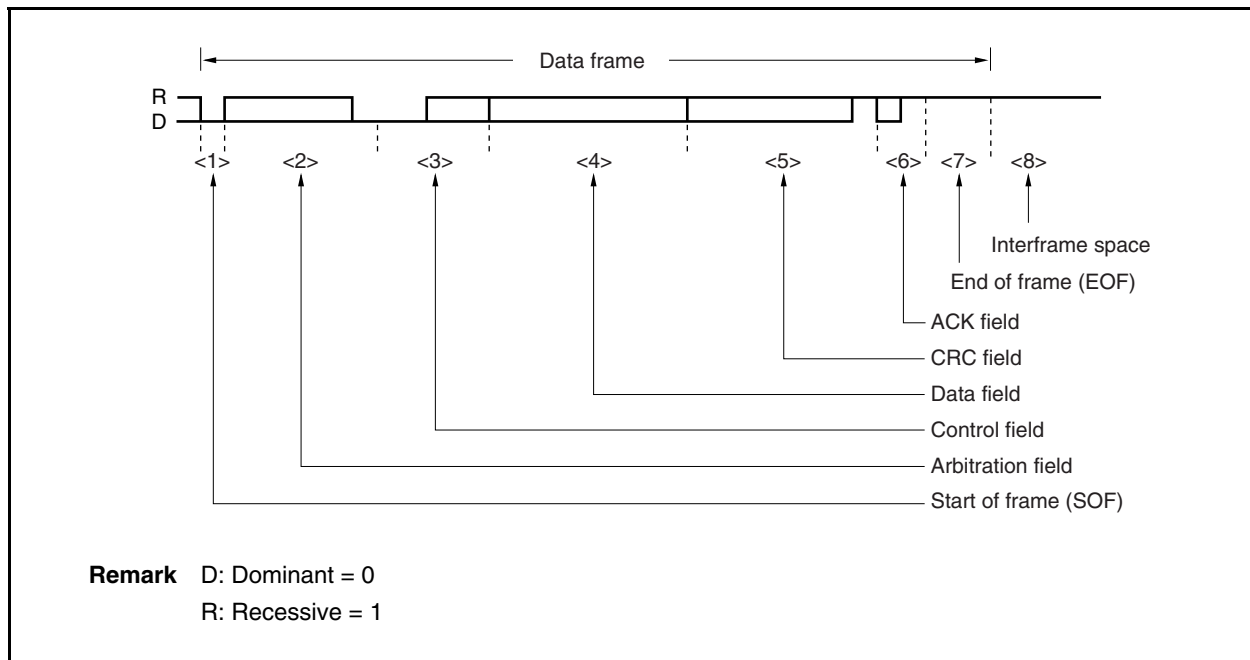
- Dominant level is indicated by logical 0.
- Recessive level is indicated by logical 1.
- When a dominant level and a recessive level are transmitted simultaneously, the bus value becomes dominant level.

### 17.2.3 Data frame and remote frame

#### (1) Data frame

A data frame is composed of seven fields.

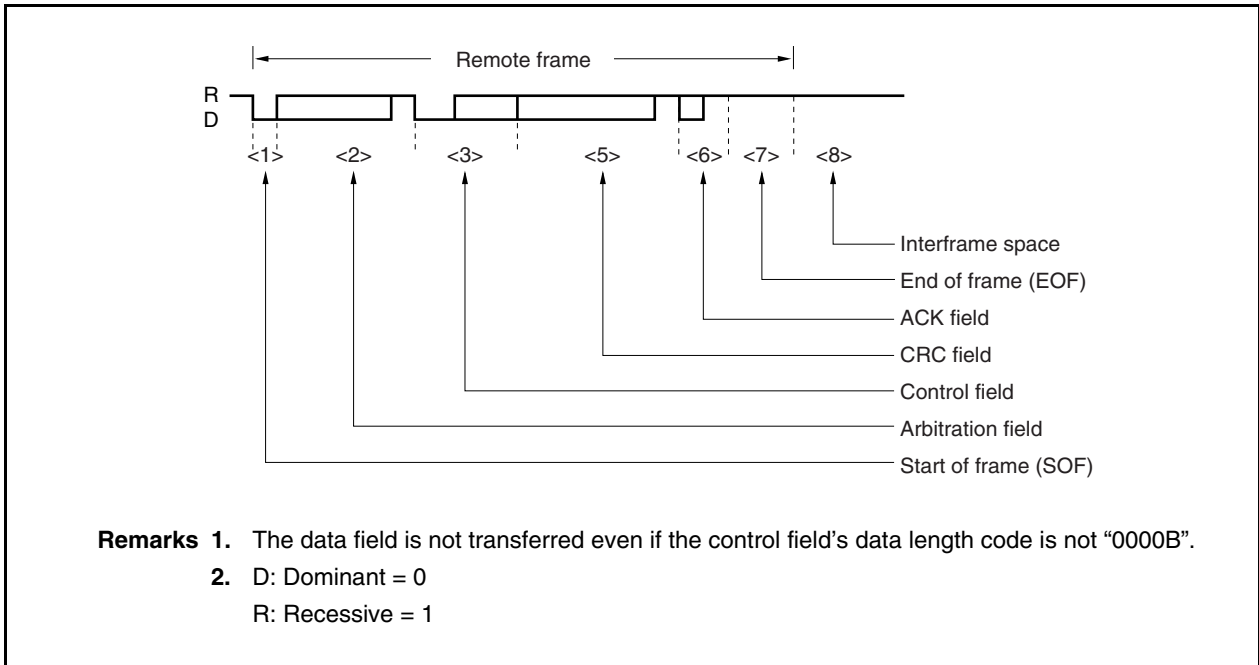
**Figure 17-3. Data Frame**



**(2) Remote frame**

A remote frame is composed of six fields.

**Figure 17-4. Remote Frame**

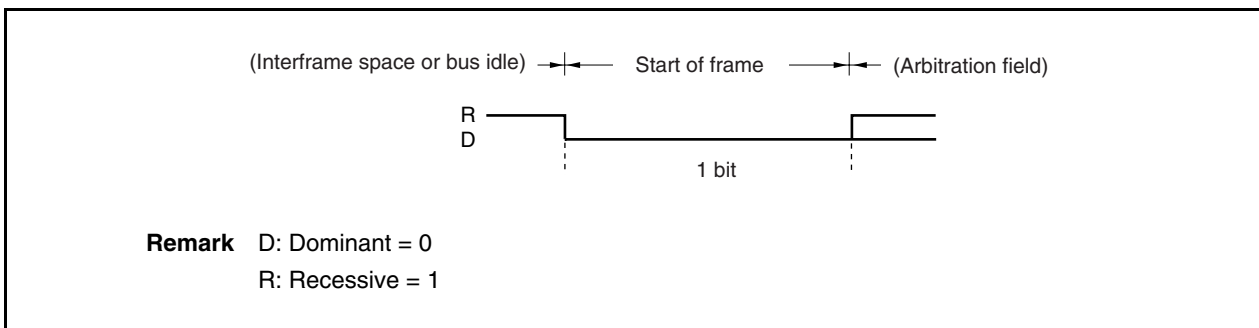


**(3) Description of fields**

**<1> Start of frame (SOF)**

The start of frame field is located at the start of a data frame or remote frame.

**Figure 17-5. Start of Frame (SOF)**



- If a dominant level is detected in the bus idle state, a hardware synchronization is performed (the current TQ is assigned to be the SYNC segment).
- If a dominant level is sampled at the sample point following such a hardware synchronization, the bit is assigned to be a SOF. If a recessive level is detected, the protocol layer returns to the bus idle state and regards the preceding dominant pulse as a noise only. In this case an error frame is not generated.

<2> Arbitration field

The arbitration field is used to set the priority, data frame/remote frame, and frame format.

Figure 17-6. Arbitration Field (in Standard Format Mode)

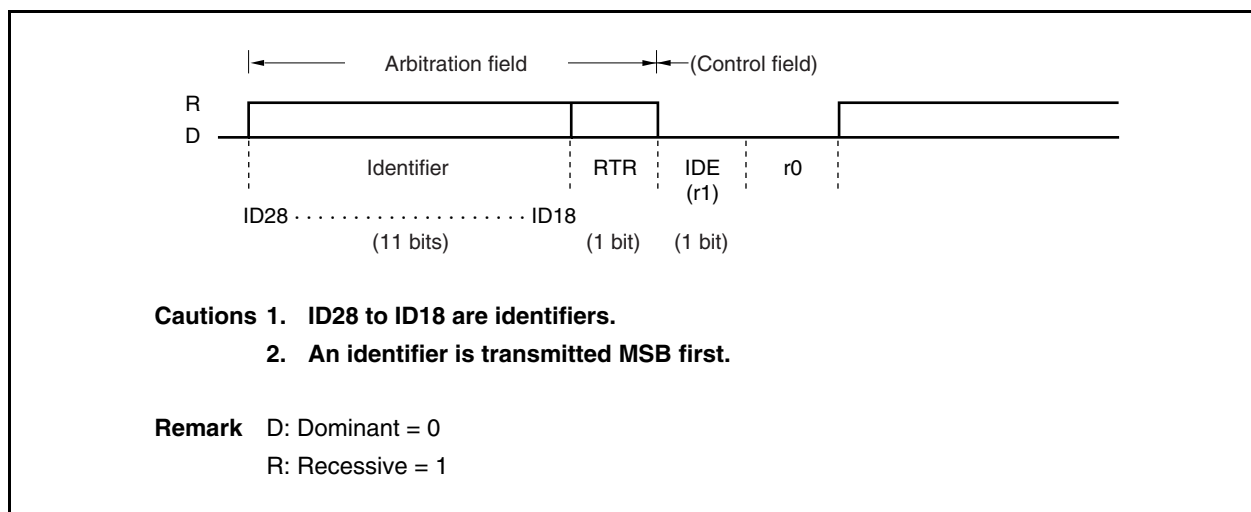


Figure 17-7. Arbitration Field (in Extended Format Mode)

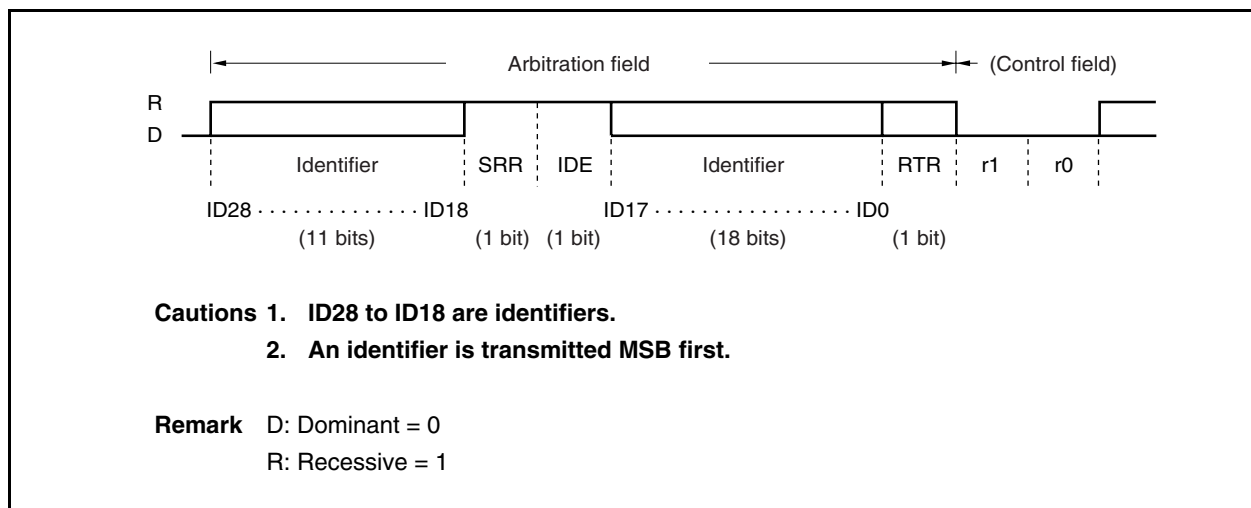


Table 17-3. RTR Frame Settings

| Frame Type   | RTR Bit |
|--------------|---------|
| Data frame   | 0 (D)   |
| Remote frame | 1 (R)   |

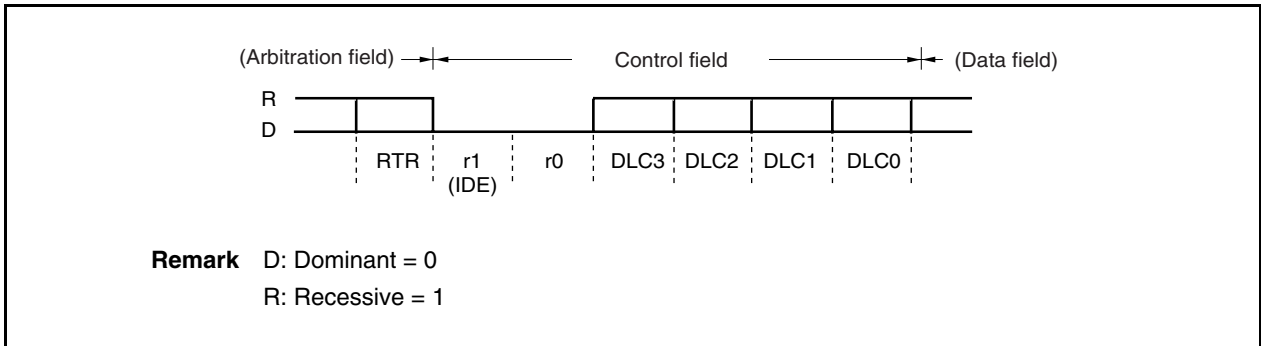
Table 17-4. Frame Format Setting (IDE Bit) and Number of Identifier (ID) Bits

| Frame Format         | SRR Bit | IDE Bit | Number of Bits |
|----------------------|---------|---------|----------------|
| Standard format mode | None    | 0 (D)   | 11 bits        |
| Extended format mode | 1 (R)   | 1 (R)   | 29 bits        |

<3> Control field

The control field sets “DLC” as the number of data bytes in the data field (DLC = 0 to 8).

Figure 17-8. Control Field



In a standard format frame, the control field's IDE bit is the same as the r1 bit.

Table 17-5. Data Length Setting

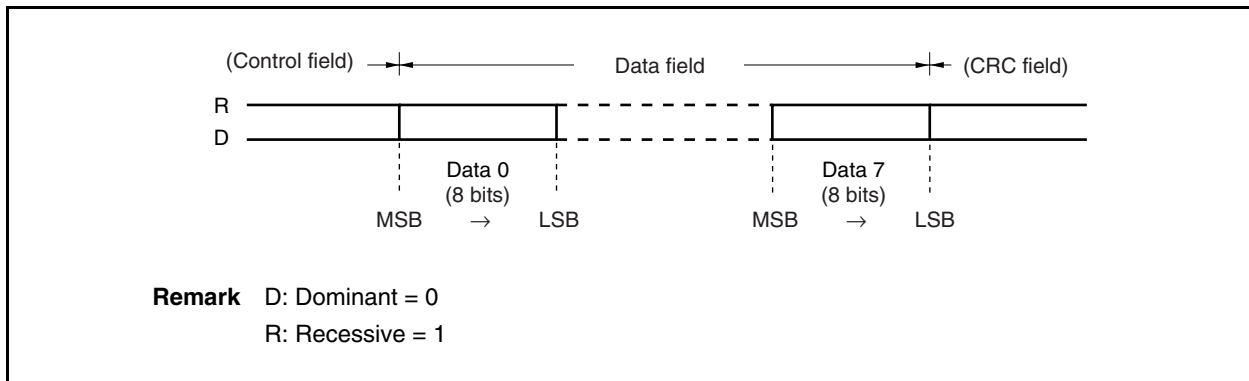
| Data Length Code |      |      |      | Data Byte Count                                 |
|------------------|------|------|------|-------------------------------------------------|
| DLC3             | DLC2 | DLC1 | DLC0 |                                                 |
| 0                | 0    | 0    | 0    | 0 bytes                                         |
| 0                | 0    | 0    | 1    | 1 byte                                          |
| 0                | 0    | 1    | 0    | 2 bytes                                         |
| 0                | 0    | 1    | 1    | 3 bytes                                         |
| 0                | 1    | 0    | 0    | 4 bytes                                         |
| 0                | 1    | 0    | 1    | 5 bytes                                         |
| 0                | 1    | 1    | 0    | 6 bytes                                         |
| 0                | 1    | 1    | 1    | 7 bytes                                         |
| 1                | 0    | 0    | 0    | 8 bytes                                         |
| Other than above |      |      |      | 8 bytes regardless of the value of DLC3 to DLC0 |

**Caution** In the remote frame, there is no data field even if the data length code is not 0000B.

<4> **Data field**

The data field contains the amount of data (byte units) set by the control field. Up to 8 units of data can be set.

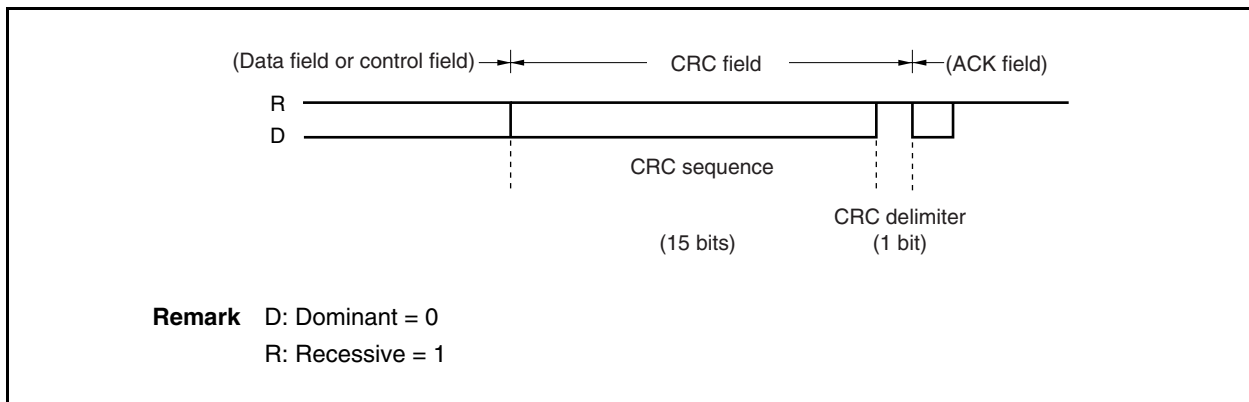
**Figure 17-9. Data Field**



<5> **CRC field**

The CRC field is a 16-bit field that is used to check for errors in transmit data.

**Figure 17-10. CRC Field**



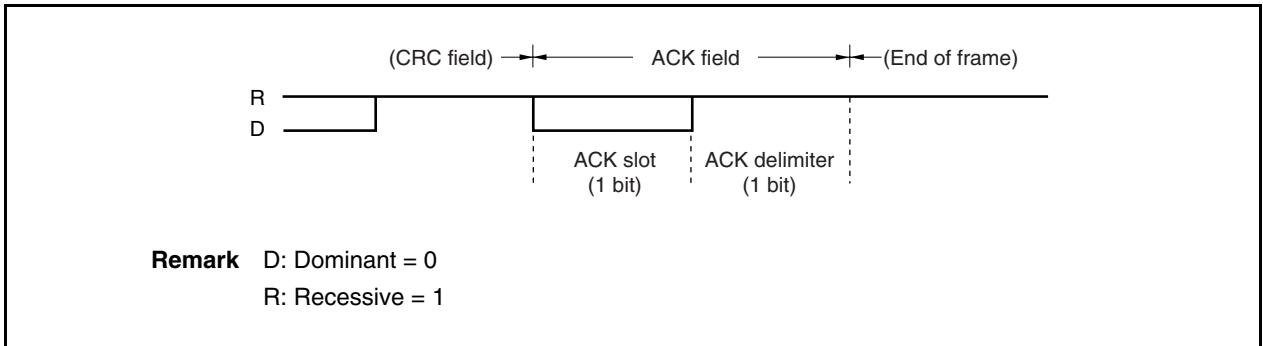
- The polynomial  $P(X)$  used to generate the 15-bit CRC sequence is expressed as follows.  

$$P(X) = X^{15} + X^{14} + X^{10} + X^8 + X^7 + X^4 + X^3 + 1$$
- Transmitting node: Transmits the CRC sequence calculated from the data (before bit stuffing) in the start of frame, arbitration field, control field, and data field.
- Receiving node: Compares the CRC sequence calculated using data bits that exclude the stuffing bits in the receive data with the CRC sequence in the CRC field. If the two CRC sequences do not match, the node issues an error frame.

<6> **ACK field**

The ACK field is used to acknowledge normal reception.

**Figure 17-11. ACK Field**

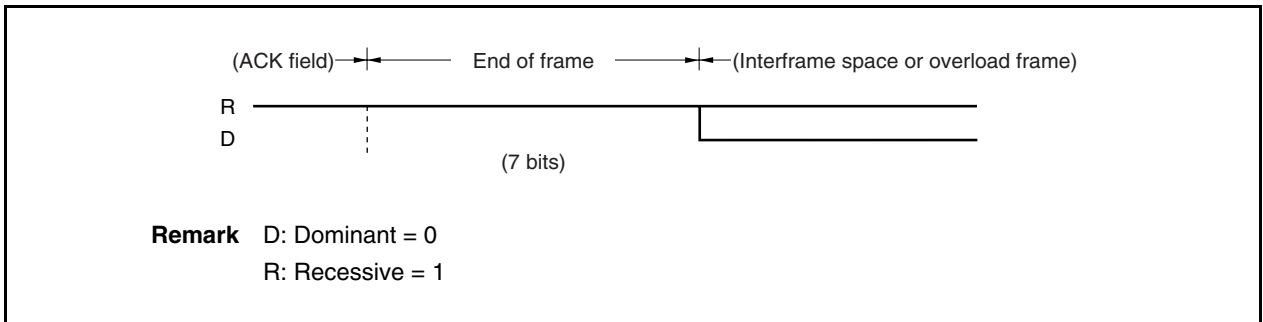


- If no CRC error is detected, the receiving node sets the ACK slot to the dominant level.
- The transmitting node outputs two recessive-level bits.

<7> **End of frame (EOF)**

The end of frame field indicates the end of data frame/remote frame.

**Figure 17-12. End of Frame (EOF)**



**<8> Interframe space**

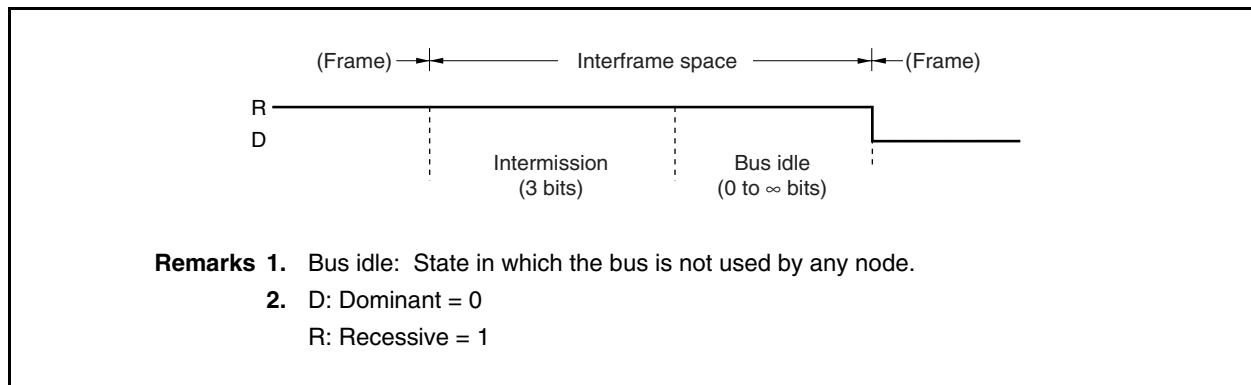
The interframe space is inserted after a data frame, remote frame, error frame, or overload frame to separate one frame from the next.

- The bus state differs depending on the error status.

**(a) Error active node**

The interframe space consists of a 3-bit intermission field and a bus idle field.

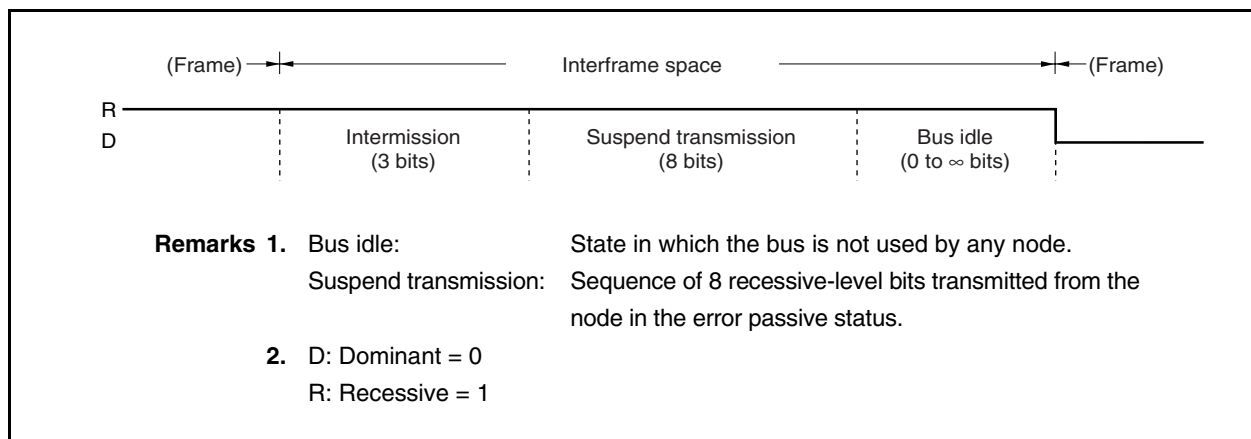
**Figure 17-13. Interframe Space (Error Active Node)**



**(b) Error passive node**

The interframe space consists of an intermission field, a suspend transmission field, and a bus idle field.

**Figure 17-14. Interframe Space (Error Passive Node)**



Usually, the intermission field is 3 bits. If the transmitting node detects a dominant level at the third bit of the intermission field, however, it executes transmission.



- Operation in error status

**Table 17-6. Operation in Error Status**

| Error Status  | Operation                                                                  |
|---------------|----------------------------------------------------------------------------|
| Error active  | A node in this status can transmit immediately after a 3-bit intermission. |
| Error passive | A node in this status can transmit 8 bits after the intermission.          |

17.2.4 Error frame

An error frame is output by a node that has detected an error.

Figure 17-15. Error Frame

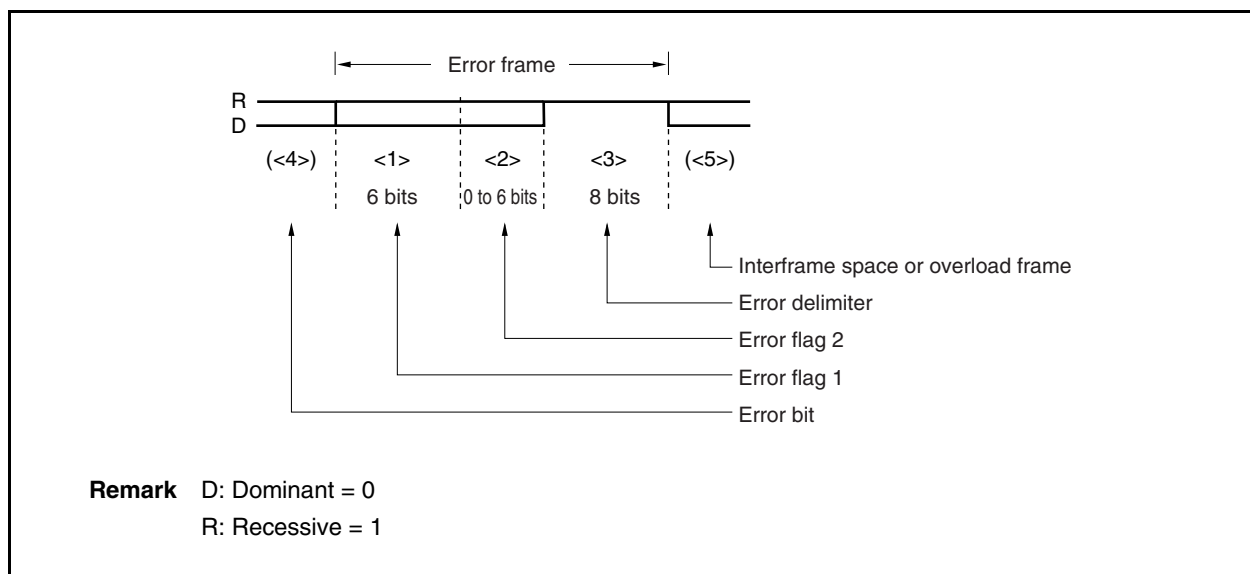


Table 17-7. Definition of Error Frame Fields

| No. | Name                            | Bit Count | Definition                                                                                                                                                                                                                                                                                                                  |
|-----|---------------------------------|-----------|-----------------------------------------------------------------------------------------------------------------------------------------------------------------------------------------------------------------------------------------------------------------------------------------------------------------------------|
| <1> | Error flag 1                    | 6         | Error active node: Outputs 6 dominant-level bits consecutively.<br>Error passive node: Outputs 6 recessive-level bits consecutively.<br>If another node outputs a dominant level while one node is outputting a passive error flag, the passive error flag is not cleared until the same level is detected 6 bits in a row. |
| <2> | Error flag 2                    | 0 to 6    | Nodes receiving error flag 1 detect bit stuff errors and issues this error flag.                                                                                                                                                                                                                                            |
| <3> | Error delimiter                 | 8         | Outputs 8 recessive-level bits consecutively.<br>If a dominant level is detected at the 8th bit, an overload frame is transmitted from the next bit.                                                                                                                                                                        |
| <4> | Error bit                       | -         | The bit at which the error was detected.<br>The error flag is output from the bit next to the error bit.<br>In the case of a CRC error, this bit is output following the ACK delimiter.                                                                                                                                     |
| <5> | Interframe space/overload frame | -         | An interframe space or overload frame starts from here.                                                                                                                                                                                                                                                                     |

17.2.5 Overload frame

An overload frame is transmitted under the following conditions.

- When the receiving node has not completed the reception operation<sup>Note</sup>
- If a dominant level is detected at the first two bits during intermission
- If a dominant level is detected at the last bit (7th bit) of the end of frame or at the last bit (8th bit) of the error delimiter/overload delimiter

**Note** In this CAN controller, all receive frames can be loaded without outputting an overload frame because of the enough high-speed internal processing.

Figure 17-16. Overload Frame

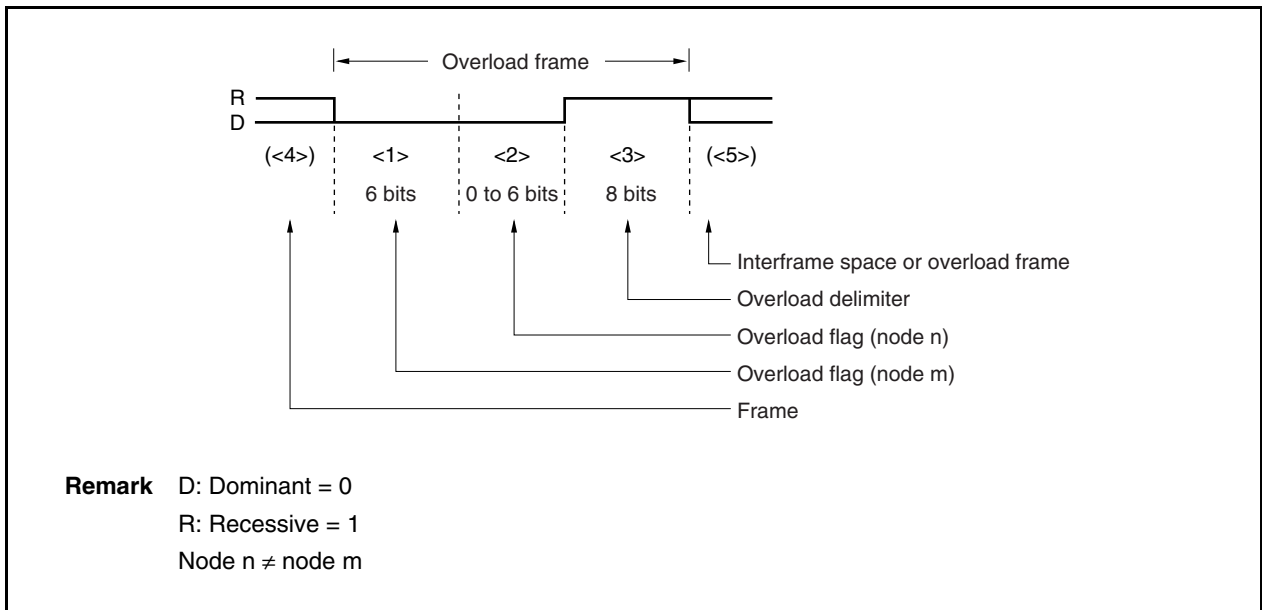


Table 17-8. Definition of Overload Frame Fields

| No  | Name                            | Bit Count | Definition                                                                                                                                           |
|-----|---------------------------------|-----------|------------------------------------------------------------------------------------------------------------------------------------------------------|
| <1> | Overload flag                   | 6         | Outputs 6 dominant-level bits consecutively.                                                                                                         |
| <2> | Overload flag from other node   | 0 to 6    | The node that received an overload flag in the interframe space outputs an overload flag.                                                            |
| <3> | Overload delimiter              | 8         | Outputs 8 recessive-level bits consecutively.<br>If a dominant level is detected at the 8th bit, an overload frame is transmitted from the next bit. |
| <4> | Frame                           | –         | Output following an end of frame, error delimiter, or overload delimiter.                                                                            |
| <5> | Interframe space/overload frame | –         | An interframe space or overload frame starts from here.                                                                                              |

## 17.3 Functions

### 17.3.1 Determining bus priority

**(1) When a node starts transmission:**

- During bus idle, the node that output data first transmits the data.

**(2) When more than one node starts transmission:**

- The node that consecutively outputs the dominant level for the longest from the first bit of the arbitration field has the bus priority (if a dominant level and a recessive level are simultaneously transmitted, the dominant level is taken as the bus value).
- The transmitting node compares its output arbitration field and the data level on the bus.

**Table 17-9. Determining Bus Priority**

|                |                         |
|----------------|-------------------------|
| Level match    | Continuous transmission |
| Level mismatch | Continuous transmission |

**(3) Priority of data frame and remote frame**

- When a data frame and a remote frame are on the bus, the data frame has priority because its RTR bit, the last bit in the arbitration field, carries a dominant level.

**Remark** If the extended-format data frame and the standard-format remote frame conflict on the bus (if ID28 to ID18 of both of them are the same), the standard-format remote frame takes priority.

### 17.3.2 Bit stuffing

Bit stuffing is used to establish synchronization by appending 1 bit of inverted-level data if the same level continues for 5 bits, in order to prevent a burst error.

**Table 17-10. Bit Stuffing**

|              |                                                                                                                                                                                                                                |
|--------------|--------------------------------------------------------------------------------------------------------------------------------------------------------------------------------------------------------------------------------|
| Transmission | During the transmission of a data frame or remote frame, when the same level continues for 5 bits in the data between the start of frame and the ACK field, 1 inverted-level bit of data is inserted before the following bit. |
| Reception    | During the reception of a data frame or remote frame, when the same level continues for 5 bits in the data between the start of frame and the ACK field, reception is continued after deleting the next bit.                   |

### 17.3.3 Multi masters

As the bus priority (a node which acquires transmission rights) is determined by the identifier, any node can be the bus master.

### 17.3.4 Multi cast

Although there is one transmitting node, two or more nodes can receive the same data at the same time because the same identifier can be set to two or more nodes.

**17.3.5 CAN sleep mode/CAN stop mode function**

The CAN sleep mode/CAN stop mode function puts the CAN controller in waiting mode to achieve low power consumption.

The controller is woken up from the CAN sleep mode by bus operation but it is not woken up from the CAN stop mode by bus operation (the CAN stop mode is controlled by CPU access).

**17.3.6 Error control function**

**(1) Error types**

**Table 17-11. Error Types**

| Type        | Description of Error                                                                         |                                             | Detection State              |                                                                                                               |
|-------------|----------------------------------------------------------------------------------------------|---------------------------------------------|------------------------------|---------------------------------------------------------------------------------------------------------------|
|             | Detection Method                                                                             | Detection Condition                         | Transmission/ Reception      | Field/Frame                                                                                                   |
| Bit error   | Comparison of the output level and level on the bus                                          | Mismatch of levels                          | Transmitting/ receiving node | Bit that is outputting data on the bus at the start of frame to end of frame, error frame and overload frame. |
| Stuff error | Check of the receive data at the stuff bit                                                   | 6 consecutive bits of the same output level | Receiving node               | Start of frame to CRC sequence                                                                                |
| CRC error   | Comparison of the CRC sequence generated from the receive data and the received CRC sequence | Mismatch of CRC                             | Receiving node               | CRC field                                                                                                     |
| Form error  | Field/frame check of the fixed format                                                        | Detection of fixed format violation         | Receiving node               | CRC delimiter<br>ACK field<br>End of frame<br>Error frame<br>Overload frame                                   |
| ACK error   | Check of the ACK slot by the transmitting node                                               | Detection of recessive level in ACK slot    | Transmitting node            | ACK slot                                                                                                      |

**(2) Output timing of error frame**

**Table 17-12. Output Timing of Error Frame**

| Type                                          | Output Timing                                                                        |
|-----------------------------------------------|--------------------------------------------------------------------------------------|
| Bit error, stuff error, form error, ACK error | Error frame output is started at the timing of the bit following the detected error. |
| CEC error                                     | Error frame output is started at the timing of the bit following the ACK delimiter.  |

**(3) Processing in case of error**

The transmission node re-transmits the data frame or remote frame after the error frame. (However, it does not re-transmit the frame in the single-shot mode.)

(4) Error state

(a) Types of error states

The following three types of error states are defined by the CAN specification.

- Error active
- Error passive
- Bus-off

These types of error states are classified by the values of the C0ERC.TEC7 to C0ERC.TEC0 bits (transmission error counter bits) and the C0ERC.REC6 to C0ERC.REC0 bits (reception error counter bits) as shown in Table 17-13.

The present error state is indicated by the C0INFO register.

When each error counter value becomes equal to or greater than the error warning level (96), the C0INFO.TECS0 or C0INFO.RECS0 bit is set to 1. In this case, the bus state must be tested because it is considered that the bus has a serious fault. An error counter value of 128 or more indicates an error passive state and the TECS1 or RECS1 bit is set to 1.

- If the value of the transmission error counter is greater than or equal to 256 (actually, the transmission error counter does not indicate a value greater than or equal to 256), the bus-off state is reached and the C0INFO.BOFF bit is set to 1.
- If only one node is active on the bus at startup (i.e., when the bus is connected only to the local station), ACK is not returned even if data is transmitted. Consequently, re-transmission of the error frame and data is repeated. In the error passive state, however, the transmission error counter is not incremented and the bus-off state is not reached.

Table 17-13. Types of Error States

| Type          | Operation    | Value of Error Counter                      | Indication of C0INFO Register | Operation Specific to Error State                                                                                                                                                                                                                                                                                                                                                                                                                                                                                                                                                                                                          |
|---------------|--------------|---------------------------------------------|-------------------------------|--------------------------------------------------------------------------------------------------------------------------------------------------------------------------------------------------------------------------------------------------------------------------------------------------------------------------------------------------------------------------------------------------------------------------------------------------------------------------------------------------------------------------------------------------------------------------------------------------------------------------------------------|
| Error active  | Transmission | 0 to 95                                     | TECS1, TECS0 = 00             | <ul style="list-style-type: none"> <li>• Outputs an active error flag (6 consecutive dominant-level bits) on detection of the error.</li> </ul>                                                                                                                                                                                                                                                                                                                                                                                                                                                                                            |
|               | Reception    | 0 to 95                                     | RECS1, RECS0 = 00             |                                                                                                                                                                                                                                                                                                                                                                                                                                                                                                                                                                                                                                            |
|               | Transmission | 96 to 127                                   | TECS1, TECS0 = 01             |                                                                                                                                                                                                                                                                                                                                                                                                                                                                                                                                                                                                                                            |
|               | Reception    | 96 to 127                                   | RECS1, RECS0 = 01             |                                                                                                                                                                                                                                                                                                                                                                                                                                                                                                                                                                                                                                            |
| Error passive | Transmission | 128 to 255                                  | TECS1, TECS0 = 11             | <ul style="list-style-type: none"> <li>• Outputs a passive error flag (6 consecutive recessive-level bits) on detection of the error.</li> <li>• Transmits 8 recessive-level bits, in between transmissions, following an intermission (suspend transmission).</li> </ul>                                                                                                                                                                                                                                                                                                                                                                  |
|               | Reception    | 128 or more                                 | RECS1, RECS0 = 11             |                                                                                                                                                                                                                                                                                                                                                                                                                                                                                                                                                                                                                                            |
| Bus-off       | Transmission | 256 or more (not indicated) <sup>Note</sup> | BOFF = 1, TECS1, TECS0 = 11   | <ul style="list-style-type: none"> <li>• Communication is not possible. However, when the frame is received, no messages are stored and the following operations are performed.                             <ul style="list-style-type: none"> <li>&lt;1&gt; REC is incremented/decremented.</li> <li>&lt;2&gt; VALID bit is set.</li> </ul> </li> <li>• If the initialization mode is set, after request to transit to an operation mode other than the initialization mode, 11 consecutive recessive-level bits are generated 128 times, and then the error counter is reset to 0 and the error active state can be restored.</li> </ul> |

**Note** The value of the transmit error counter (TEC) does not carry any meaning if BOFF has been set. If an error that increments the value of the transmission error counter by 8 while the counter value is in a range of 248 to 255 occurs, the counter is not incremented and the bus-off state is assumed.

**(b) Error counter**

The error counter counts up when an error has occurred, and counts down upon successful transmission and reception. The error counter counts up immediately after error detection.

**Table 17-14. Error Counter**

| State                                                                                                                                                                                                                                                                                                                                                                                                       | Transmission Error Counter<br>(TEC7 to TEC0 Bits) | Reception Error Counter<br>(REC6 to REC0 Bits)                                                                                                                                                                                                  |
|-------------------------------------------------------------------------------------------------------------------------------------------------------------------------------------------------------------------------------------------------------------------------------------------------------------------------------------------------------------------------------------------------------------|---------------------------------------------------|-------------------------------------------------------------------------------------------------------------------------------------------------------------------------------------------------------------------------------------------------|
| Receiving node detects an error (except bit error in the active error flag or overload flag).                                                                                                                                                                                                                                                                                                               | No change                                         | +1 (REPS bit = 0)                                                                                                                                                                                                                               |
| Receiving node detects dominant level following error flag of error frame.                                                                                                                                                                                                                                                                                                                                  | No change                                         | +8 (REPS bit = 0)                                                                                                                                                                                                                               |
| Transmitting node transmits an error flag.<br>[As exceptions, the error counter does not change in the following cases.]<br><1> ACK error is detected in error passive state and dominant level is not detected while the passive error flag is being output.<br><2> A stuff error is detected in an arbitration field that transmitted a recessive level as a stuff bit, but a dominant level is detected. | +8                                                | No change                                                                                                                                                                                                                                       |
| Bit error detection while active error flag or overload flag is being output (error-active transmitting node)                                                                                                                                                                                                                                                                                               | +8                                                | No change                                                                                                                                                                                                                                       |
| Bit error detection while active error flag or overload flag is being output (error-active receiving node)                                                                                                                                                                                                                                                                                                  | No change                                         | +8 (REPS bit = 0)                                                                                                                                                                                                                               |
| When the node detects 14 consecutive dominant-level bits from the beginning of the active error flag or overload flag, and then subsequently detects 8 consecutive dominant-level bits.<br>When the node detects 8 consecutive dominant levels after a passive error flag                                                                                                                                   | +8 (transmitting)                                 | +8 (receiving, REPS bit = 0)                                                                                                                                                                                                                    |
| When the transmitting node has completed transmission without error ( $\pm 0$ if error counter = 0)                                                                                                                                                                                                                                                                                                         | -1                                                | No change                                                                                                                                                                                                                                       |
| When the receiving node has completed reception without error                                                                                                                                                                                                                                                                                                                                               | No change                                         | <ul style="list-style-type: none"> <li>• -1 (<math>1 \leq \text{REC6 to REC0} \leq 127</math>, REPS bit = 0)</li> <li>• <math>\pm 0</math> (REC6 to REC0 = 0, REPS bit = 0)</li> <li>• Any value of 119 to 127 is set (REPS bit = 1)</li> </ul> |

**(c) Occurrence of bit error in intermission**

An overload frame is generated.

**Caution** If an error occurs, it is controlled according to the contents of the transmission error counter and reception error counter before the error occurred. The value of the error counter is incremented after the error flag has been output.

**(5) Recovery from bus-off state**

When the CAN module is in the bus-off state, the transmission pins (CTXD0) cut off from the CAN bus always output the recessive level.

The CAN module recovers from the bus-off state in the following bus-off recovery sequence.

- <1> Request to enter the CAN initialization mode
- <2> Request to enter a CAN operation mode
  - (a) Recovery operation through normal recovery sequence
  - (b) Forced recovery operation that skips recovery sequence

**(a) Recovery from bus-off state through normal recovery sequence**

The CAN module first issues a request to enter the initialization mode (refer to timing <1> in Figure 17-17). This request will be immediately acknowledged, and the C0CTRL.OPMODE2 to OPMODE0 bit is cleared to 000B. Processing such as analyzing the fault that has caused the bus-off state, re-defining the CAN module and message buffer using application software, or stopping the operation of the CAN module can be performed by clearing the C0GMCTRL.GOM bit to 0.

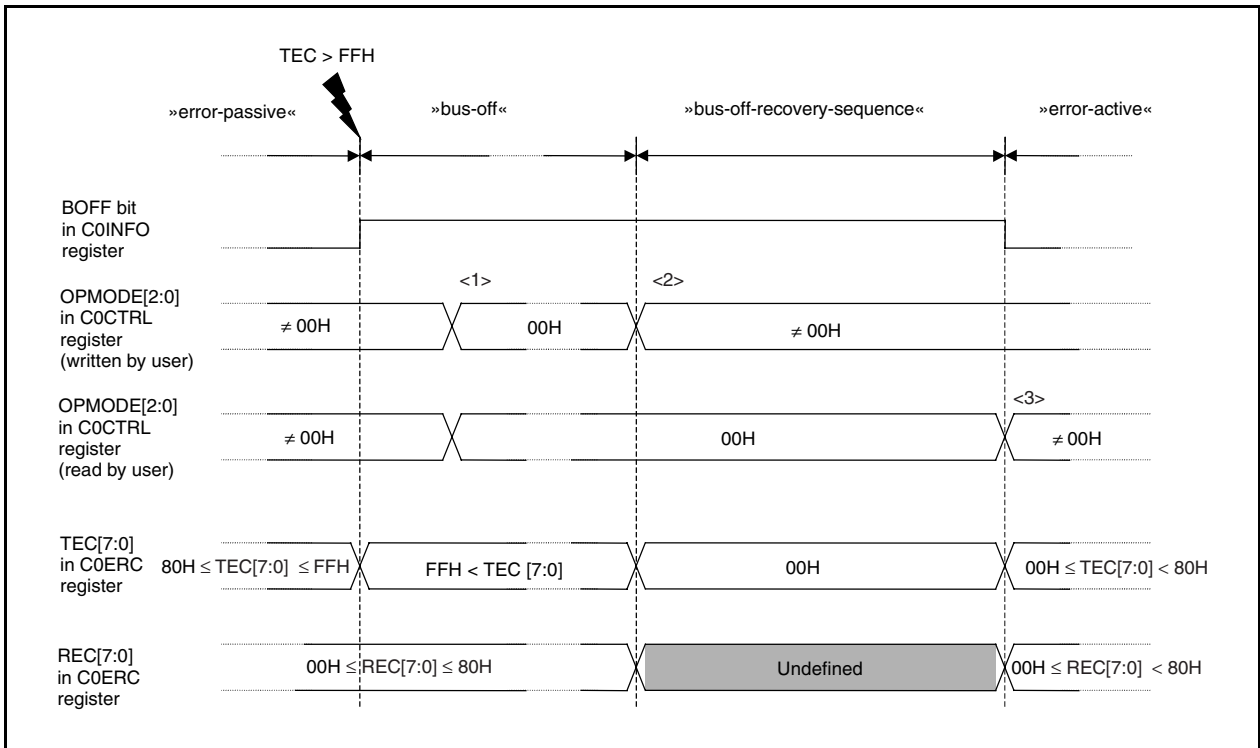
Next, the module requests to change the mode from the initialization mode to an operation mode (refer to timing <2> in Figure 17-17). This starts an operation to recover the CAN module from the bus-off state. The conditions under which the module can recover from the bus-off state are defined by the CAN protocol ISO 11898, and it is necessary to detect 11 consecutive recessive-level bits more than 128 times. At this time, the request to change the mode to an operation mode is held pending until the recovery conditions are satisfied. When the recovery conditions are satisfied (refer to timing <3> in Figure 17-17), the CAN module can enter the operation mode it has requested. Until the CAN module enters this operation mode, it stays in the initialization mode. Whether the CAN module has completed transition to any other operation mode can be confirmed by reading OPMODE2 to OPMODE0. Before transition to any other operation mode is completed, OPMODE2 to OPMODE0 bits = 000B is read.

During the bus-off period and bus-off recovery sequence, the C0INFO.BOFF bit stays set (to 1). In the bus-off recovery sequence, the reception error counter (C0ERC.REC0 to C0ERC.REC6) counts the number of times 11 consecutive recessive-level bits have been detected on the bus. Therefore, the recovery state can be checked by reading the REC0 to REC6 bits.

- Cautions**
1. If a request to change the mode from the initialization mode to any operation mode to execute the bus-off recovery sequence again during a bus-off recovery sequence, the bus-off recovery sequence starts from the beginning and 11 contiguous recessive bits are counted 128 times again on the bus.
  2. In the bus-off recovery sequence, the REC0 to REC6 bits counts up (+1) each time 11 consecutive recessive-level bits have been detected. Even during the bus-off period, the CAN module can enter the CAN sleep mode or CAN stop mode. To be released from the bus-off state, the module must enter the initialization mode once. If the module is in the CAN sleep mode or CAN stop mode, however, it cannot directly enter the initialization mode. In this case, the bus off recovery sequence is started at the same time as the CAN sleep mode is released even without shifting to the initialization mode. In addition to clearing the C0CTRL.PSMODE1 and C0CTRL.PSMODE0 bits by software, the bus off recovery sequence is also started due to wakeup by dominant edge detection on the CAN bus (when the CAN clock is supplied, the PSMODE0 bit must be cleared by software after the dominant edge has been detected).



Figure 17-17. Recovery from Bus-off State Through Normal Recovery Sequence

**(b) Forced recovery operation that skips bus-off recovery sequence**

The CAN module can be forcibly released from the bus-off state, regardless of the bus state, by skipping the bus-off recovery sequence. Here is the procedure.

First, the CAN module requests to enter the initialization mode. For the operation and points to be noted at this time, see **17.3.6 (5) (a) Recovery from bus-off state through normal recovery sequence**.

Next, the module requests to enter an operation mode. At the same time, the C0CTRL.CCERC bit must be set to 1.

As a result, the bus-off recovery sequence defined by the CAN protocol ISO 11898 is skipped, and the module immediately enters the operation mode. In this case, the module is connected to the CAN bus after it has monitored 11 consecutive recessive-level bits. For details, refer to the processing in Figure 17-53.

**Caution** This function is not defined by the CAN protocol ISO 11898. When using this function, thoroughly evaluate its effect on the network system.

**(6) Initializing CAN module error counter register (C0ERC) in initialization mode**

If it is necessary to initialize the C0ERC and C0INFO registers for debugging or evaluating a program, they can be initialized to the default value by setting the C0CTRL.CCERC bit in the initialization mode. When initialization has been completed, the CCERC bit is automatically cleared to 0.

**Cautions 1.** This function is enabled only in the initialization mode. Even if the CCERC bit is set to 1 in a CAN operation mode, the C0ERC and C0INFO registers are not initialized.

**2.** The CCERC bit can be set at the same time as the request to enter a CAN operation mode.

17.3.7 Baud rate control function

(1) Prescaler

The CAN controller has a prescaler that divides the clock ( $f_{CAN}$ ) supplied to CAN. This prescaler generates a CAN protocol layer base clock ( $f_{TQ}$ ) that is the CAN module system clock ( $f_{CANMOD}$ ) divided by 1 to 256 (see 17.6 (12) CAN0 module bit rate prescaler register (COBRP)).

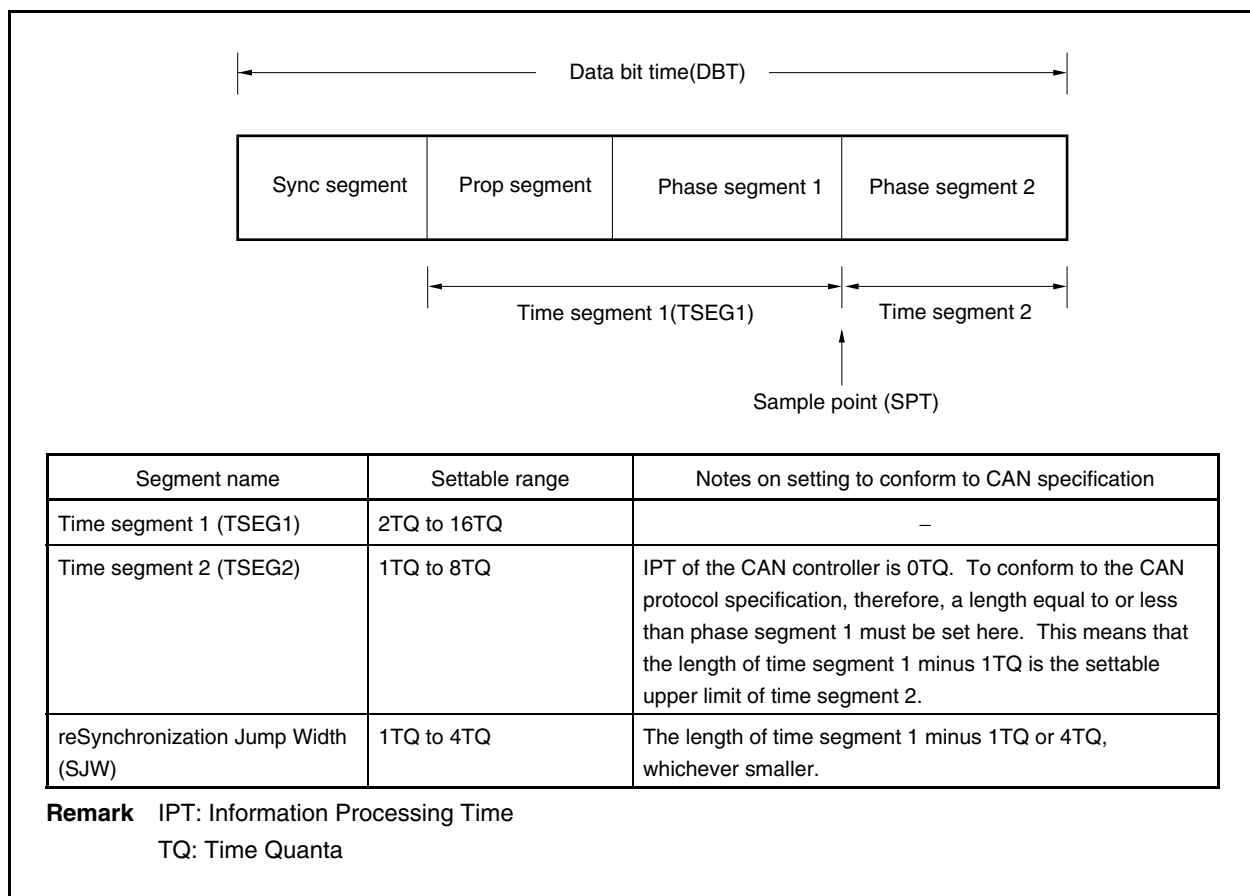
(2) Data bit time (8 to 25 time quanta)

One data bit time is defined as shown in Figure 17-18.

$$1 \text{ Time Quanta} = 1/f_{TQ}$$

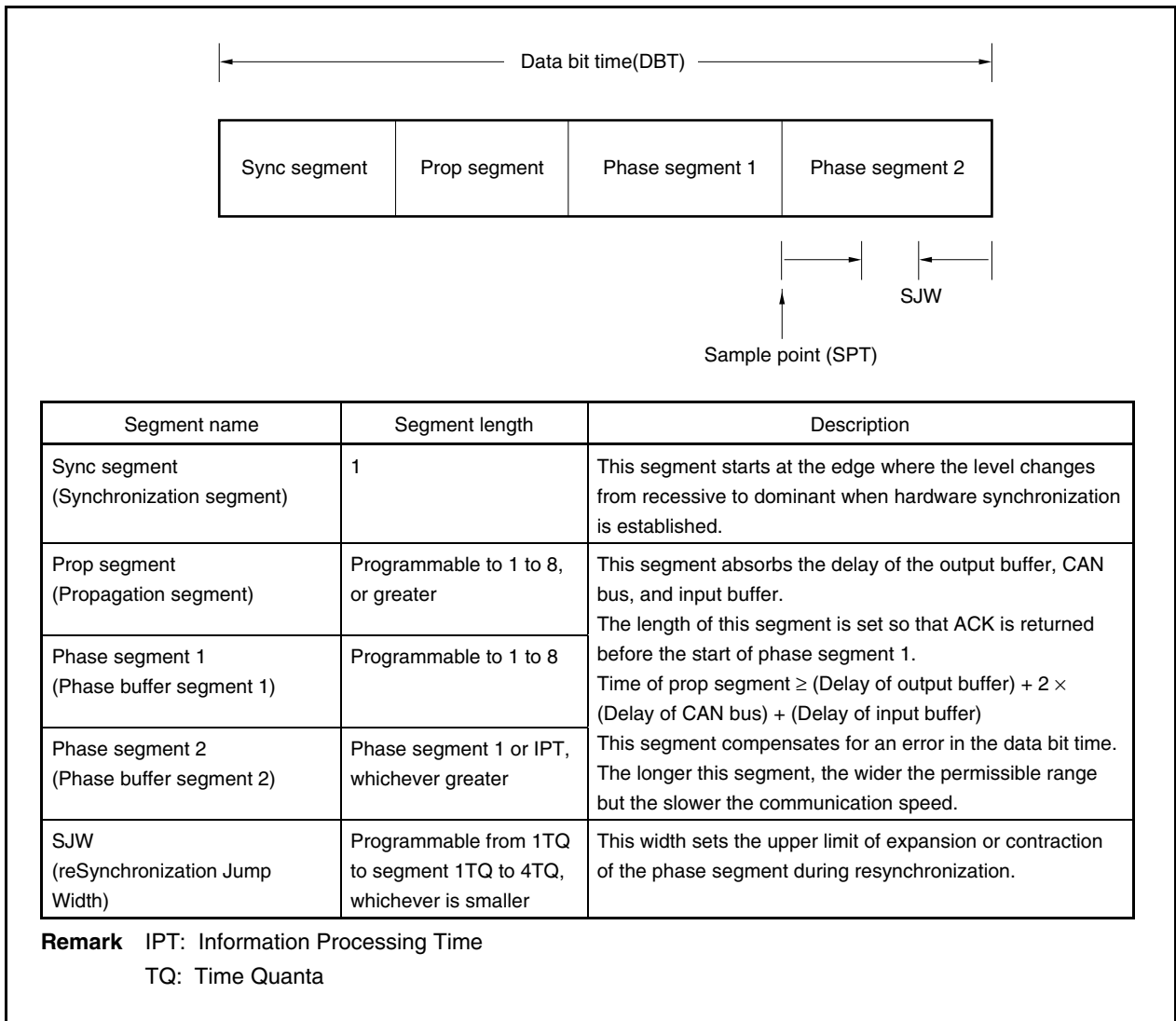
The CAN controller sets the data bit time by replacing it with the bit timing parameters such as time segment 1, time segment 2, and reSynchronization Jump Width (SJW), as shown in Figure 17-18. Time segment 1 is equivalent to the total of the propagation (prop) segment and phase segment 1 that are defined by the CAN protocol specification. Time segment 2 is equivalent to phase segment 2.

Figure 17-18. Segment Setting



**Remark** The CAN protocol specification defines the segments constituting the data bit time as shown in Figure 17-19.

**Figure 17-19. Configuration of Data Bit Time Defined by CAN Specification**



**(3) Synchronizing data bit**

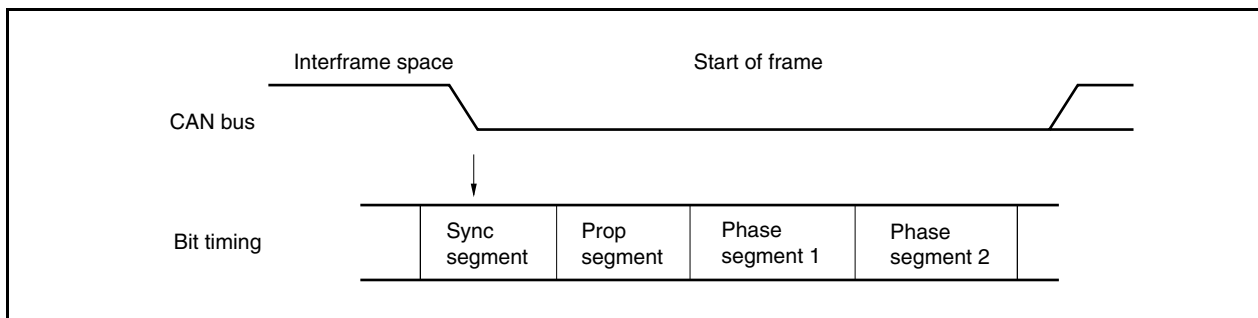
- The receiving node establishes synchronization by a level change on the bus because it does not have a sync signal.
- The transmitting node transmits data in synchronization with the bit timing of the transmitting node.

**(a) Hardware synchronization**

This synchronization is established when the receiving node detects the start of frame in the interframe space.

- When a falling edge is detected on the bus, that TQ means the sync segment and the next segment is the prop segment. In this case, synchronization is established regardless of SJW.

**Figure 17-20. Hardware Synchronization to Detect Dominant Level During Bus Idle**

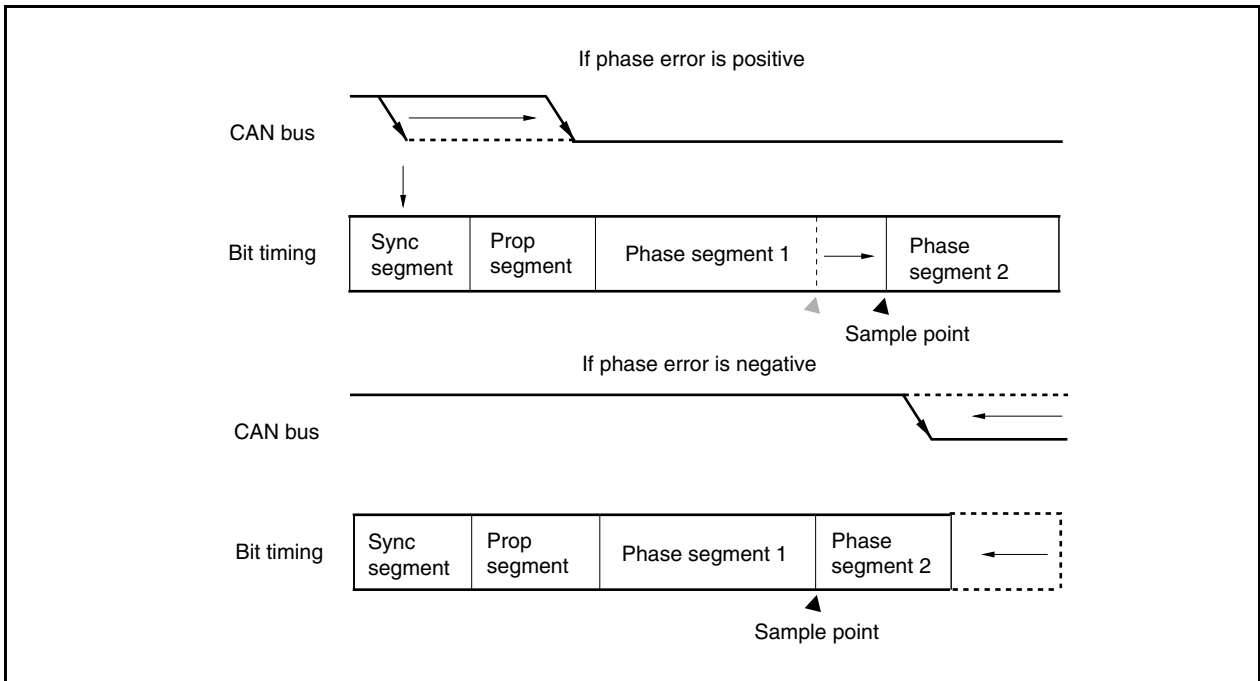


**(b) Resynchronization**

Synchronization is established again if a level change is detected on the bus during reception (only if a recessive level was sampled previously).

- The phase error of the edge is given by the relative position of the detected edge and sync segment.
  - <Sign of phase error>
  - 0: If the edge is within the sync segment
  - Positive: If the edge is before the sample point (phase error)
  - Negative: If the edge is after the sample point (phase error)
  - If phase error is positive: Phase segment 1 is longer by specified SJW.
  - If phase error is negative: Phase segment 2 is shorter by specified SJW.
- The sample point of the data of the receiving node moves relatively due to the “discrepancy” in the baud rate between the transmitting node and receiving node.

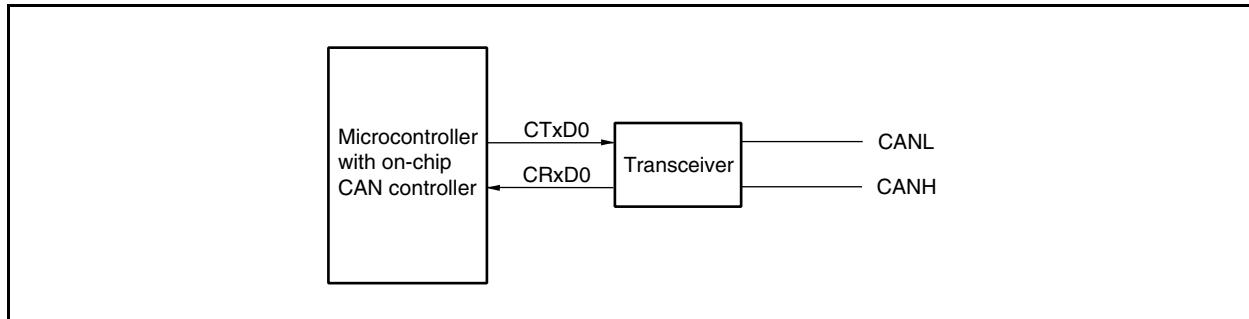
**Figure 17-21. Resynchronization**



## 17.4 Connection with Target System

The microcontroller with on-chip CAN controller has to be connected to the CAN bus using an external transceiver.

**Figure 17-22. Connection to CAN Bus**



## 17.5 Internal Registers of CAN Controller

### 17.5.1 CAN controller configuration

**Table 17-15. List of CAN Controller Registers**

| Item                     | Register Name                                                              |
|--------------------------|----------------------------------------------------------------------------|
| CAN global registers     | CAN0 global control register (COGMCTRL)                                    |
|                          | CAN0 global clock selection register (COGMCS)                              |
|                          | CAN0 global automatic block transmission control register (COGMABT)        |
|                          | CAN0 global automatic block transmission delay setting register (COGMABTD) |
| CAN module registers     | CAN0 module mask 1 register (COMASK1L, COMASK1H)                           |
|                          | CAN0 module mask 2 register (COMASK2L, COMASK2H)                           |
|                          | CAN0 module mask 3 register (COMASK3L, COMASK3H)                           |
|                          | CAN0 module mask 4 registers (COMASK4L, COMASK4H)                          |
|                          | CAN0 module control register (COCTRL)                                      |
|                          | CAN0 module last error information register (COLEC)                        |
|                          | CAN0 module information register (COINFO)                                  |
|                          | CAN0 module error counter register (COERC)                                 |
|                          | CAN0 module interrupt enable register (COIE)                               |
|                          | CAN0 module interrupt status register (COINTS)                             |
|                          | CAN0 module bit rate prescaler register (COBRP)                            |
|                          | CAN0 module bit rate register (COBTR)                                      |
|                          | CAN0 module last in-pointer register (COLIPT)                              |
|                          | CAN0 module receive history list register (CORGPT)                         |
|                          | CAN0 module last out-pointer register (COLOPT)                             |
|                          | CAN0 module transmit history list register (COTGPT)                        |
| Message buffer registers | CAN0 message data byte 01 register m (COMDATA01m)                          |
|                          | CAN0 message data byte 0 register m (COMDATA0m)                            |
|                          | CAN0 message data byte 1 register m (COMDATA1m)                            |
|                          | CAN0 message data byte 23 register m (COMDATA23m)                          |
|                          | CAN0 message data byte 2 register m (COMDATA2m)                            |
|                          | CAN0 message data byte 3 register m (COMDATA3m)                            |
|                          | CAN0 message data byte 45 register m (COMDATA45m)                          |
|                          | CAN0 message data byte 4 register m (COMDATA4m)                            |
|                          | CAN0 message data byte 5 register m (COMDATA5m)                            |
|                          | CAN0 message data byte 67 register m (COMDATA67m)                          |
|                          | CAN0 message data byte 6 register m (COMDATA6m)                            |
|                          | CAN0 message data byte 7 register m (COMDATA7m)                            |
|                          | CAN0 message data length register m (COMDLCm)                              |
|                          | CAN0 message configuration register m (COMCONFm)                           |
|                          | CAN0 message ID register m (COMIDLm, COMIDHm)                              |
|                          | CAN0 message control register m (COMCTRLm)                                 |

- Remarks**
- The CAN global register is defined as COGM <register function>.  
The CAN module register is defined as C0 <register function>.  
The message buffer register is defined as COM <register function>.
  - m = 00 to 31

## 17.5.2 Register access type

Table 17-16. Register Access Types (1/17)

| Address   | Register Name                                                   | Symbol   | R/W | Bit Manipulation Units |        |           | After Reset |
|-----------|-----------------------------------------------------------------|----------|-----|------------------------|--------|-----------|-------------|
|           |                                                                 |          |     | 1 Bit                  | 8 Bits | 16 Bits   |             |
| 03FEC000H | CAN0 global control register                                    | C0GMCTRL | R/W |                        |        | √         | 0000H       |
| 03FEC002H | CAN0 global clock selection register                            | C0GMCS   |     |                        | √      |           | 0FH         |
| 03FEC006H | CAN0 global automatic block transmission register               | C0GMABT  |     |                        |        | √         | 0000H       |
| 03FEC008H | CAN0 global automatic block transmission delay setting register | C0GMABTD |     |                        | √      |           | 00H         |
| 03FEC040H | CAN0 module mask 1 register                                     | C0MASK1L |     |                        |        | √         | Undefined   |
| 03FEC042H |                                                                 | C0MASK1H |     |                        |        | √         | Undefined   |
| 03FEC044H | CAN0 module mask 2 register                                     | C0MASK2L |     |                        |        | √         | Undefined   |
| 03FEC046H |                                                                 | C0MASK2H |     |                        |        | √         | Undefined   |
| 03FEC048H | CAN0 module mask 3 register                                     | C0MASK3L |     |                        |        | √         | Undefined   |
| 03FEC04AH |                                                                 | C0MASK3H |     |                        |        | √         | Undefined   |
| 03FEC04CH | CAN0 module mask 4 register                                     | C0MASK4L |     |                        |        | √         | Undefined   |
| 03FEC04EH |                                                                 | C0MASK4H |     |                        |        | √         | Undefined   |
| 03FEC050H | CAN0 module control register                                    | C0CTRL   |     |                        |        | √         | 0000H       |
| 03FEC052H | CAN0 module last error code register                            | C0LEC    |     |                        | √      |           | 00H         |
| 03FEC053H | CAN0 module information register                                | C0INFO   | R   |                        | √      | 00H       |             |
| 03FEC054H | CAN0 module error counter register                              | C0ERC    |     |                        | √      | 0000H     |             |
| 03FEC056H | CAN0 module interrupt enable register                           | C0IE     | R/W |                        |        | √         | 0000H       |
| 03FEC058H | CAN0 module interrupt status register                           | C0INTS   |     |                        |        | √         | 0000H       |
| 03FEC05AH | CAN0 module bit-rate prescaler register                         | C0BRP    |     |                        | √      |           | FFH         |
| 03FEC05CH | CAN0 module bit-rate register                                   | C0BTR    |     |                        |        | √         | 370FH       |
| 03FEC05EH | CAN0 module last in-pointer register                            | C0LIPT   | R   |                        | √      | Undefined |             |
| 03FEC060H | CAN0 module receive history list register                       | C0RGPT   | R/W |                        |        | √         | xx02H       |
| 03FEC062H | CAN0 module last out-pointer register                           | C0LOPT   | R   |                        | √      |           | Undefined   |
| 03FEC064H | CAN0 module transmit history list register                      | C0TGPT   | R/W |                        |        | √         | xx02H       |



Table 17-16. Register Access Types (2/17)

| Address   | Register Name                          | Symbol      | R/W | Bit Manipulation Units |        |                       | After Reset           |
|-----------|----------------------------------------|-------------|-----|------------------------|--------|-----------------------|-----------------------|
|           |                                        |             |     | 1 Bit                  | 8 Bits | 16 Bits               |                       |
| 03FEC100H | CAN0 message data byte 01 register 00  | C0MDATA0100 | R/W |                        |        | √                     | Undefined             |
| 03FEC100H | CAN0 message data byte 0 register 00   | C0MDATA000  |     |                        | √      |                       | Undefined             |
| 03FEC101H | CAN0 message data byte 1 register 00   | C0MDATA100  |     |                        | √      |                       | Undefined             |
| 03FEC102H | CAN0 message data byte 23 register 00  | C0MDATA2300 |     |                        |        | √                     | Undefined             |
| 03FEC102H | CAN0 message data byte 2 register 00   | C0MDATA200  |     |                        | √      |                       | Undefined             |
| 03FEC103H | CAN0 message data byte 3 register 00   | C0MDATA300  |     |                        | √      |                       | Undefined             |
| 03FEC104H | CAN0 message data byte 45 register 00  | C0MDATA4500 |     |                        |        | √                     | Undefined             |
| 03FEC104H | CAN0 message data byte 4 register 00   | C0MDATA400  |     |                        | √      |                       | Undefined             |
| 03FEC105H | CAN0 message data byte 5 register 00   | C0MDATA500  |     |                        | √      |                       | Undefined             |
| 03FEC106H | CAN0 message data byte 67 register 00  | C0MDATA6700 |     |                        |        | √                     | Undefined             |
| 03FEC106H | CAN0 message data byte 6 register 00   | C0MDATA600  |     |                        | √      |                       | Undefined             |
| 03FEC107H | CAN0 message data byte 7 register 00   | C0MDATA700  |     |                        | √      |                       | Undefined             |
| 03FEC108H | CAN0 message data length register 00   | C0MDLC00    |     |                        | √      |                       | 0000xxxxB             |
| 03FEC109H | CAN0 message configuration register 00 | C0MCONF00   |     |                        | √      |                       | Undefined             |
| 03FEC10AH | CAN0 message identifier register 00    | C0MIDL00    |     |                        |        | √                     | Undefined             |
| 03FEC10CH |                                        | C0MIDH00    |     |                        |        | √                     | Undefined             |
| 03FEC10EH | CAN0 message control register 00       | C0MCTRL00   |     |                        |        | √                     | 00x00000<br>000xx000B |
| 03FEC120H | CAN0 message data byte 01 register 01  | C0MDATA0101 |     |                        |        | √                     | Undefined             |
| 03FEC120H | CAN0 message data byte 0 register 01   | C0MDATA001  |     |                        | √      |                       | Undefined             |
| 03FEC121H | CAN0 message data byte 1 register 01   | C0MDATA101  |     |                        | √      |                       | Undefined             |
| 03FEC122H | CAN0 message data byte 23 register 01  | C0MDATA2301 |     |                        |        | √                     | Undefined             |
| 03FEC122H | CAN0 message data byte 2 register 01   | C0MDATA201  |     |                        | √      |                       | Undefined             |
| 03FEC123H | CAN0 message data byte 3 register 01   | C0MDATA301  |     |                        | √      |                       | Undefined             |
| 03FEC124H | CAN0 message data byte 45 register 01  | C0MDATA4501 |     |                        |        | √                     | Undefined             |
| 03FEC124H | CAN0 message data byte 4 register 01   | C0MDATA401  |     |                        | √      |                       | Undefined             |
| 03FEC125H | CAN0 message data byte 5 register 01   | C0MDATA501  |     |                        | √      |                       | Undefined             |
| 03FEC126H | CAN0 message data byte 67 register 01  | C0MDATA6701 |     |                        |        | √                     | Undefined             |
| 03FEC126H | CAN0 message data byte 6 register 01   | C0MDATA601  |     |                        | √      |                       | Undefined             |
| 03FEC127H | CAN0 message data byte 7 register 01   | C0MDATA701  |     |                        | √      |                       | Undefined             |
| 03FEC128H | CAN0 message data length register 01   | C0MDLC01    |     |                        | √      |                       | 0000xxxxB             |
| 03FEC129H | CAN0 message configuration register 01 | C0MCONF01   |     |                        | √      |                       | Undefined             |
| 03FEC12AH | CAN0 message identifier register 01    | C0MIDL01    |     |                        |        | √                     | Undefined             |
| 03FEC12CH |                                        | C0MIDH01    |     |                        | √      | Undefined             |                       |
| 03FEC12EH | CAN0 message control register 01       | C0MCTRL01   |     |                        | √      | 00x00000<br>000xx000B |                       |

Table 17-16. Register Access Types (3/17)

| Address   | Register Name                          | Symbol      | R/W | Bit Manipulation Units |        |                       | After Reset           |
|-----------|----------------------------------------|-------------|-----|------------------------|--------|-----------------------|-----------------------|
|           |                                        |             |     | 1 Bit                  | 8 Bits | 16 Bits               |                       |
| 03FEC140H | CAN0 message data byte 01 register 02  | COMDATA0102 | R/W |                        |        | √                     | Undefined             |
| 03FEC140H | CAN0 message data byte 0 register 02   | COMDATA002  |     |                        | √      |                       | Undefined             |
| 03FEC141H | CAN0 message data byte 1 register 02   | COMDATA102  |     |                        | √      |                       | Undefined             |
| 03FEC142H | CAN0 message data byte 23 register 02  | COMDATA2302 |     |                        |        | √                     | Undefined             |
| 03FEC142H | CAN0 message data byte 2 register 02   | COMDATA202  |     |                        | √      |                       | Undefined             |
| 03FEC143H | CAN0 message data byte 3 register 02   | COMDATA302  |     |                        | √      |                       | Undefined             |
| 03FEC144H | CAN0 message data byte 45 register 02  | COMDATA4502 |     |                        |        | √                     | Undefined             |
| 03FEC144H | CAN0 message data byte 4 register 02   | COMDATA402  |     |                        | √      |                       | Undefined             |
| 03FEC145H | CAN0 message data byte 5 register 02   | COMDATA502  |     |                        | √      |                       | Undefined             |
| 03FEC146H | CAN0 message data byte 67 register 02  | COMDATA6702 |     |                        |        | √                     | Undefined             |
| 03FEC146H | CAN0 message data byte 6 register 02   | COMDATA602  |     |                        | √      |                       | Undefined             |
| 03FEC147H | CAN0 message data byte 7 register 02   | COMDATA702  |     |                        | √      |                       | Undefined             |
| 03FEC148H | CAN0 message data length register 02   | COMDLC02    |     |                        | √      |                       | 0000xxxxB             |
| 03FEC149H | CAN0 message configuration register 02 | COMCONF02   |     |                        | √      |                       | Undefined             |
| 03FEC14AH | CAN0 message identifier register 02    | COMIDL02    |     |                        |        | √                     | Undefined             |
| 03FEC14CH |                                        | COMIDH02    |     |                        |        | √                     | Undefined             |
| 03FEC14EH | CAN0 message control register 02       | COMCTRL02   |     |                        |        | √                     | 00x00000<br>000xx000B |
| 03FEC160H | CAN0 message data byte 01 register 03  | COMDATA0103 |     |                        |        | √                     | Undefined             |
| 03FEC160H | CAN0 message data byte 0 register 03   | COMDATA003  |     |                        | √      |                       | Undefined             |
| 03FEC161H | CAN0 message data byte 1 register 03   | COMDATA103  |     |                        | √      |                       | Undefined             |
| 03FEC162H | CAN0 message data byte 23 register 03  | COMDATA2303 |     |                        |        | √                     | Undefined             |
| 03FEC162H | CAN0 message data byte 2 register 03   | COMDATA203  |     |                        | √      |                       | Undefined             |
| 03FEC163H | CAN0 message data byte 3 register 03   | COMDATA303  |     |                        | √      |                       | Undefined             |
| 03FEC164H | CAN0 message data byte 45 register 03  | COMDATA4503 |     |                        |        | √                     | Undefined             |
| 03FEC164H | CAN0 message data byte 4 register 03   | COMDATA403  |     |                        | √      |                       | Undefined             |
| 03FEC165H | CAN0 message data byte 5 register 03   | COMDATA503  |     |                        | √      |                       | Undefined             |
| 03FEC166H | CAN0 message data byte 67 register 03  | COMDATA6703 |     |                        |        | √                     | Undefined             |
| 03FEC166H | CAN0 message data byte 6 register 03   | COMDATA603  |     |                        | √      |                       | Undefined             |
| 03FEC167H | CAN0 message data byte 7 register 03   | COMDATA703  |     |                        | √      |                       | Undefined             |
| 03FEC168H | CAN0 message data length register 03   | COMDLC03    |     |                        | √      |                       | 0000xxxxB             |
| 03FEC169H | CAN0 message configuration register 03 | COMCONF03   |     |                        | √      |                       | Undefined             |
| 03FEC16AH | CAN0 message identifier register 03    | COMIDL03    |     |                        |        | √                     | Undefined             |
| 03FEC16CH |                                        | COMIDH03    |     |                        |        | √                     | Undefined             |
| 03FEC16EH | CAN0 message control register 03       | COMCTRL03   |     |                        | √      | 00x00000<br>000xx000B |                       |

Table 17-16. Register Access Types (4/17)

| Address   | Register Name                          | Symbol      | R/W | Bit Manipulation Units |        |                       | After Reset           |
|-----------|----------------------------------------|-------------|-----|------------------------|--------|-----------------------|-----------------------|
|           |                                        |             |     | 1 Bit                  | 8 Bits | 16 Bits               |                       |
| 03FEC180H | CAN0 message data byte 01 register 04  | C0MDATA0104 | R/W |                        |        | √                     | Undefined             |
| 03FEC180H | CAN0 message data byte 0 register 04   | C0MDATA004  |     |                        | √      |                       | Undefined             |
| 03FEC181H | CAN0 message data byte 1 register 04   | C0MDATA104  |     |                        | √      |                       | Undefined             |
| 03FEC182H | CAN0 message data byte 23 register 04  | C0MDATA2304 |     |                        |        | √                     | Undefined             |
| 03FEC182H | CAN0 message data byte 2 register 04   | C0MDATA204  |     |                        | √      |                       | Undefined             |
| 03FEC183H | CAN0 message data byte 3 register 04   | C0MDATA304  |     |                        | √      |                       | Undefined             |
| 03FEC184H | CAN0 message data byte 45 register 04  | C0MDATA4504 |     |                        |        | √                     | Undefined             |
| 03FEC184H | CAN0 message data byte 4 register 04   | C0MDATA404  |     |                        | √      |                       | Undefined             |
| 03FEC185H | CAN0 message data byte 5 register 04   | C0MDATA504  |     |                        | √      |                       | Undefined             |
| 03FEC186H | CAN0 message data byte 67 register 04  | C0MDATA6704 |     |                        |        | √                     | Undefined             |
| 03FEC186H | CAN0 message data byte 6 register 04   | C0MDATA604  |     |                        | √      |                       | Undefined             |
| 03FEC187H | CAN0 message data byte 7 register 04   | C0MDATA704  |     |                        | √      |                       | Undefined             |
| 03FEC188H | CAN0 message data length register 04   | C0MDLC04    |     |                        | √      |                       | 0000xxxxB             |
| 03FEC189H | CAN0 message configuration register 04 | C0MCONF04   |     |                        | √      |                       | Undefined             |
| 03FEC18AH | CAN0 message identifier register 04    | C0MIDL04    |     |                        |        | √                     | Undefined             |
| 03FEC18CH |                                        | C0MIDH04    |     |                        |        | √                     | Undefined             |
| 03FEC18EH | CAN0 message control register 04       | C0MCTRL04   |     |                        |        | √                     | 00x00000<br>000xx000B |
| 03FEC1A0H | CAN0 message data byte 01 register 05  | C0MDATA0105 |     |                        |        | √                     | Undefined             |
| 03FEC1A0H | CAN0 message data byte 0 register 05   | C0MDATA005  |     |                        | √      |                       | Undefined             |
| 03FEC1A1H | CAN0 message data byte 1 register 05   | C0MDATA105  |     |                        | √      |                       | Undefined             |
| 03FEC1A2H | CAN0 message data byte 23 register 05  | C0MDATA2305 |     |                        |        | √                     | Undefined             |
| 03FEC1A2H | CAN0 message data byte 2 register 05   | C0MDATA205  |     |                        | √      |                       | Undefined             |
| 03FEC1A3H | CAN0 message data byte 3 register 05   | C0MDATA305  |     |                        | √      |                       | Undefined             |
| 03FEC1A4H | CAN0 message data byte 45 register 05  | C0MDATA4505 |     |                        |        | √                     | Undefined             |
| 03FEC1A4H | CAN0 message data byte 4 register 05   | C0MDATA405  |     |                        | √      |                       | Undefined             |
| 03FEC1A5H | CAN0 message data byte 5 register 05   | C0MDATA505  |     |                        | √      |                       | Undefined             |
| 03FEC1A6H | CAN0 message data byte 67 register 05  | C0MDATA6705 |     |                        |        | √                     | Undefined             |
| 03FEC1A6H | CAN0 message data byte 6 register 05   | C0MDATA605  |     |                        | √      |                       | Undefined             |
| 03FEC1A7H | CAN0 message data byte 7 register 05   | C0MDATA705  |     | √                      |        | Undefined             |                       |
| 03FEC1A8H | CAN0 message data length register 05   | C0MDLC05    |     | √                      |        | 0000xxxxB             |                       |
| 03FEC1A9H | CAN0 message configuration register 05 | C0MCONF05   |     | √                      |        | Undefined             |                       |
| 03FEC1AAH | CAN0 message identifier register 05    | C0MIDL05    |     |                        | √      | Undefined             |                       |
| 03FEC1ACH |                                        | C0MIDH05    |     |                        | √      | Undefined             |                       |
| 03FEC1AEH | CAN0 message control register 05       | C0MCTRL05   |     |                        | √      | 00x00000<br>000xx000B |                       |

Table 17-16. Register Access Types (5/17)

| Address   | Register Name                          | Symbol      | R/W | Bit Manipulation Units |        |                       | After Reset           |
|-----------|----------------------------------------|-------------|-----|------------------------|--------|-----------------------|-----------------------|
|           |                                        |             |     | 1 Bit                  | 8 Bits | 16 Bits               |                       |
| 03FEC1C0H | CAN0 message data byte 01 register 06  | COMDATA0106 | R/W |                        |        | √                     | Undefined             |
| 03FEC1C0H | CAN0 message data byte 0 register 06   | COMDATA006  |     |                        | √      |                       | Undefined             |
| 03FEC1C1H | CAN0 message data byte 1 register 06   | COMDATA106  |     |                        | √      |                       | Undefined             |
| 03FEC1C2H | CAN0 message data byte 23 register 06  | COMDATA2306 |     |                        |        | √                     | Undefined             |
| 03FEC1C2H | CAN0 message data byte 2 register 06   | COMDATA206  |     |                        | √      |                       | Undefined             |
| 03FEC1C3H | CAN0 message data byte 3 register 06   | COMDATA306  |     |                        | √      |                       | Undefined             |
| 03FEC1C4H | CAN0 message data byte 45 register 06  | COMDATA4506 |     |                        |        | √                     | Undefined             |
| 03FEC1C4H | CAN0 message data byte 4 register 06   | COMDATA406  |     |                        | √      |                       | Undefined             |
| 03FEC1C5H | CAN0 message data byte 5 register 06   | COMDATA506  |     |                        | √      |                       | Undefined             |
| 03FEC1C6H | CAN0 message data byte 67 register 06  | COMDATA6706 |     |                        |        | √                     | Undefined             |
| 03FEC1C6H | CAN0 message data byte 6 register 06   | COMDATA606  |     |                        | √      |                       | Undefined             |
| 03FEC1C7H | CAN0 message data byte 7 register 06   | COMDATA706  |     |                        | √      |                       | Undefined             |
| 03FEC1C8H | CAN0 message data length register 06   | COMDLC06    |     |                        | √      |                       | 0000xxxxB             |
| 03FEC1C9H | CAN0 message configuration register 06 | COMCONF06   |     |                        | √      |                       | Undefined             |
| 03FEC1CAH | CAN0 message identifier register 06    | COMIDL06    |     |                        |        | √                     | Undefined             |
| 03FEC1CCH |                                        | COMIDH06    |     |                        |        | √                     | Undefined             |
| 03FEC1CEH | CAN0 message control register 06       | COMCTRL06   |     |                        |        | √                     | 00x00000<br>000xx000B |
| 03FEC1E0H | CAN0 message data byte 01 register 07  | COMDATA0107 |     |                        |        | √                     | Undefined             |
| 03FEC1E0H | CAN0 message data byte 0 register 07   | COMDATA007  |     |                        | √      |                       | Undefined             |
| 03FEC1E1H | CAN0 message data byte 1 register 07   | COMDATA107  |     |                        | √      |                       | Undefined             |
| 03FEC1E2H | CAN0 message data byte 23 register 07  | COMDATA2307 |     |                        |        | √                     | Undefined             |
| 03FEC1E2H | CAN0 message data byte 2 register 07   | COMDATA207  |     |                        | √      |                       | Undefined             |
| 03FEC1E3H | CAN0 message data byte 3 register 07   | COMDATA307  |     |                        | √      |                       | Undefined             |
| 03FEC1E4H | CAN0 message data byte 45 register 07  | COMDATA4507 |     |                        |        | √                     | Undefined             |
| 03FEC1E4H | CAN0 message data byte 4 register 07   | COMDATA407  |     |                        | √      |                       | Undefined             |
| 03FEC1E5H | CAN0 message data byte 5 register 07   | COMDATA507  |     |                        | √      |                       | Undefined             |
| 03FEC1E6H | CAN0 message data byte 67 register 07  | COMDATA6707 |     |                        |        | √                     | Undefined             |
| 03FEC1E6H | CAN0 message data byte 6 register 07   | COMDATA607  |     | √                      |        | Undefined             |                       |
| 03FEC1E7H | CAN0 message data byte 7 register 07   | COMDATA707  |     | √                      |        | Undefined             |                       |
| 03FEC1E8H | CAN0 message data length register 07   | COMDLC07    |     | √                      |        | 0000xxxxB             |                       |
| 03FEC1E9H | CAN0 message configuration register 07 | COMCONF07   |     | √                      |        | Undefined             |                       |
| 03FEC1EAH | CAN0 message identifier register 07    | COMIDL07    |     |                        | √      | Undefined             |                       |
| 03FEC1ECH |                                        | COMIDH07    |     |                        | √      | Undefined             |                       |
| 03FEC1EEH | CAN0 message control register 07       | COMCTRL07   |     |                        | √      | 00x00000<br>000xx000B |                       |

Table 17-16. Register Access Types (6/17)

| Address   | Register Name                          | Symbol      | R/W | Bit Manipulation Units |        |                       | After Reset           |
|-----------|----------------------------------------|-------------|-----|------------------------|--------|-----------------------|-----------------------|
|           |                                        |             |     | 1 Bit                  | 8 Bits | 16 Bits               |                       |
| 03FEC200H | CAN0 message data byte 01 register 08  | C0MDATA0108 | R/W |                        |        | √                     | Undefined             |
| 03FEC200H | CAN0 message data byte 0 register 08   | C0MDATA008  |     |                        | √      |                       | Undefined             |
| 03FEC201H | CAN0 message data byte 1 register 08   | C0MDATA108  |     |                        | √      |                       | Undefined             |
| 03FEC202H | CAN0 message data byte 23 register 08  | C0MDATA2308 |     |                        |        | √                     | Undefined             |
| 03FEC202H | CAN0 message data byte 2 register 08   | C0MDATA208  |     |                        | √      |                       | Undefined             |
| 03FEC203H | CAN0 message data byte 3 register 08   | C0MDATA308  |     |                        | √      |                       | Undefined             |
| 03FEC204H | CAN0 message data byte 45 register 08  | C0MDATA4508 |     |                        |        | √                     | Undefined             |
| 03FEC204H | CAN0 message data byte 4 register 08   | C0MDATA408  |     |                        | √      |                       | Undefined             |
| 03FEC205H | CAN0 message data byte 5 register 08   | C0MDATA508  |     |                        | √      |                       | Undefined             |
| 03FEC206H | CAN0 message data byte 67 register 08  | C0MDATA6708 |     |                        |        | √                     | Undefined             |
| 03FEC206H | CAN0 message data byte 6 register 08   | C0MDATA608  |     |                        | √      |                       | Undefined             |
| 03FEC207H | CAN0 message data byte 7 register 08   | C0MDATA708  |     |                        | √      |                       | Undefined             |
| 03FEC208H | CAN0 message data length register 08   | C0MDLC08    |     |                        | √      |                       | 0000xxxxB             |
| 03FEC209H | CAN0 message configuration register 08 | C0MCONF08   |     |                        | √      |                       | Undefined             |
| 03FEC20AH | CAN0 message identifier register 08    | C0MIDL08    |     |                        |        | √                     | Undefined             |
| 03FEC20CH |                                        | C0MIDH08    |     |                        |        | √                     | Undefined             |
| 03FEC20EH | CAN0 message control register 08       | C0MCTRL08   |     |                        |        | √                     | 00x00000<br>000xx000B |
| 03FEC220H | CAN0 message data byte 01 register 09  | C0MDATA0109 |     |                        |        | √                     | Undefined             |
| 03FEC220H | CAN0 message data byte 0 register 09   | C0MDATA009  |     |                        | √      |                       | Undefined             |
| 03FEC221H | CAN0 message data byte 1 register 09   | C0MDATA109  |     |                        | √      |                       | Undefined             |
| 03FEC222H | CAN0 message data byte 23 register 09  | C0MDATA2309 |     |                        |        | √                     | Undefined             |
| 03FEC222H | CAN0 message data byte 2 register 09   | C0MDATA209  |     |                        | √      |                       | Undefined             |
| 03FEC223H | CAN0 message data byte 3 register 09   | C0MDATA309  |     |                        | √      |                       | Undefined             |
| 03FEC224H | CAN0 message data byte 45 register 09  | C0MDATA4509 |     |                        |        | √                     | Undefined             |
| 03FEC224H | CAN0 message data byte 4 register 09   | C0MDATA409  |     |                        | √      |                       | Undefined             |
| 03FEC225H | CAN0 message data byte 5 register 09   | C0MDATA509  |     |                        | √      |                       | Undefined             |
| 03FEC226H | CAN0 message data byte 67 register 09  | C0MDATA6709 |     |                        |        | √                     | Undefined             |
| 03FEC226H | CAN0 message data byte 6 register 09   | C0MDATA609  |     |                        | √      |                       | Undefined             |
| 03FEC227H | CAN0 message data byte 7 register 09   | C0MDATA709  |     | √                      |        | Undefined             |                       |
| 03FEC228H | CAN0 message data length register 09   | C0MDLC09    |     | √                      |        | 0000xxxxB             |                       |
| 03FEC229H | CAN0 message configuration register 09 | C0MCONF09   |     | √                      |        | Undefined             |                       |
| 03FEC22AH | CAN0 message identifier register 09    | C0MIDL09    |     |                        | √      | Undefined             |                       |
| 03FEC22CH |                                        | C0MIDH09    |     |                        | √      | Undefined             |                       |
| 03FEC22EH | CAN0 message control register 09       | C0MCTRL09   |     |                        | √      | 00x00000<br>000xx000B |                       |

Table 17-16. Register Access Types (7/17)

| Address   | Register Name                          | Symbol      | R/W | Bit Manipulation Units |        |                       | After Reset           |
|-----------|----------------------------------------|-------------|-----|------------------------|--------|-----------------------|-----------------------|
|           |                                        |             |     | 1 Bit                  | 8 Bits | 16 Bits               |                       |
| 03FEC240H | CAN0 message data byte 01 register 10  | COMDATA0110 | R/W |                        |        | √                     | Undefined             |
| 03FEC240H | CAN0 message data byte 0 register 10   | COMDATA010  |     |                        | √      |                       | Undefined             |
| 03FEC241H | CAN0 message data byte 1 register 10   | COMDATA110  |     |                        | √      |                       | Undefined             |
| 03FEC242H | CAN0 message data byte 23 register 10  | COMDATA2310 |     |                        |        | √                     | Undefined             |
| 03FEC242H | CAN0 message data byte 2 register 10   | COMDATA210  |     |                        | √      |                       | Undefined             |
| 03FEC243H | CAN0 message data byte 3 register 10   | COMDATA310  |     |                        | √      |                       | Undefined             |
| 03FEC244H | CAN0 message data byte 45 register 10  | COMDATA4510 |     |                        |        | √                     | Undefined             |
| 03FEC244H | CAN0 message data byte 4 register 10   | COMDATA410  |     |                        | √      |                       | Undefined             |
| 03FEC245H | CAN0 message data byte 5 register 10   | COMDATA510  |     |                        | √      |                       | Undefined             |
| 03FEC246H | CAN0 message data byte 67 register 10  | COMDATA6710 |     |                        |        | √                     | Undefined             |
| 03FEC246H | CAN0 message data byte 6 register 10   | COMDATA610  |     |                        | √      |                       | Undefined             |
| 03FEC247H | CAN0 message data byte 7 register 10   | COMDATA710  |     |                        | √      |                       | Undefined             |
| 03FEC248H | CAN0 message data length register 10   | COMDLC10    |     |                        | √      |                       | 0000xxxxB             |
| 03FEC249H | CAN0 message configuration register 10 | COMCONF10   |     |                        | √      |                       | Undefined             |
| 03FEC24AH | CAN0 message identifier register 10    | COMIDL10    |     |                        |        | √                     | Undefined             |
| 03FEC24CH |                                        | COMIDH10    |     |                        |        | √                     | Undefined             |
| 03FEC24EH | CAN0 message control register 10       | COMCTRL10   |     |                        |        | √                     | 00x00000<br>000xx000B |
| 03FEC260H | CAN0 message data byte 01 register 11  | COMDATA0111 |     |                        |        | √                     | Undefined             |
| 03FEC260H | CAN0 message data byte 0 register 11   | COMDATA011  |     |                        | √      |                       | Undefined             |
| 03FEC261H | CAN0 message data byte 1 register 11   | COMDATA111  |     |                        | √      |                       | Undefined             |
| 03FEC262H | CAN0 message data byte 23 register 11  | COMDATA2311 |     |                        |        | √                     | Undefined             |
| 03FEC262H | CAN0 message data byte 2 register 11   | COMDATA211  |     |                        | √      |                       | Undefined             |
| 03FEC263H | CAN0 message data byte 3 register 11   | COMDATA311  |     |                        | √      |                       | Undefined             |
| 03FEC264H | CAN0 message data byte 45 register 11  | COMDATA4511 |     |                        |        | √                     | Undefined             |
| 03FEC264H | CAN0 message data byte 4 register 11   | COMDATA411  |     |                        | √      |                       | Undefined             |
| 03FEC265H | CAN0 message data byte 5 register 11   | COMDATA511  |     |                        | √      |                       | Undefined             |
| 03FEC266H | CAN0 message data byte 67 register 11  | COMDATA6711 |     |                        |        | √                     | Undefined             |
| 03FEC266H | CAN0 message data byte 6 register 11   | COMDATA611  |     |                        | √      |                       | Undefined             |
| 03FEC267H | CAN0 message data byte 7 register 11   | COMDATA711  |     |                        | √      |                       | Undefined             |
| 03FEC268H | CAN0 message data length register 11   | COMDLC11    |     |                        | √      |                       | 0000xxxxB             |
| 03FEC269H | CAN0 message configuration register 11 | COMCONF11   |     |                        | √      |                       | Undefined             |
| 03FEC26AH | CAN0 message identifier register 11    | COMIDL11    |     |                        |        | √                     | Undefined             |
| 03FEC26CH |                                        | COMIDH11    |     |                        |        | √                     | Undefined             |
| 03FEC26EH | CAN0 message control register 11       | COMCTRL11   |     |                        | √      | 00x00000<br>000xx000B |                       |

Table 17-16. Register Access Types (8/17)

| Address   | Register Name                          | Symbol      | R/W | Bit Manipulation Units |        |                       | After Reset           |
|-----------|----------------------------------------|-------------|-----|------------------------|--------|-----------------------|-----------------------|
|           |                                        |             |     | 1 Bit                  | 8 Bits | 16 Bits               |                       |
| 03FEC280H | CAN0 message data byte 01 register 12  | C0MDATA0112 | R/W |                        |        | √                     | Undefined             |
| 03FEC280H | CAN0 message data byte 0 register 12   | C0MDATA012  |     |                        | √      |                       | Undefined             |
| 03FEC281H | CAN0 message data byte 1 register 12   | C0MDATA112  |     |                        | √      |                       | Undefined             |
| 03FEC282H | CAN0 message data byte 23 register 12  | C0MDATA2312 |     |                        |        | √                     | Undefined             |
| 03FEC282H | CAN0 message data byte 2 register 12   | C0MDATA212  |     |                        | √      |                       | Undefined             |
| 03FEC283H | CAN0 message data byte 3 register 12   | C0MDATA312  |     |                        | √      |                       | Undefined             |
| 03FEC284H | CAN0 message data byte 45 register 12  | C0MDATA4512 |     |                        |        | √                     | Undefined             |
| 03FEC284H | CAN0 message data byte 4 register 12   | C0MDATA412  |     |                        | √      |                       | Undefined             |
| 03FEC285H | CAN0 message data byte 5 register 12   | C0MDATA512  |     |                        | √      |                       | Undefined             |
| 03FEC286H | CAN0 message data byte 67 register 12  | C0MDATA6712 |     |                        |        | √                     | Undefined             |
| 03FEC286H | CAN0 message data byte 6 register 12   | C0MDATA612  |     |                        | √      |                       | Undefined             |
| 03FEC287H | CAN0 message data byte 7 register 12   | C0MDATA712  |     |                        | √      |                       | Undefined             |
| 03FEC288H | CAN0 message data length register 12   | C0MDLC12    |     |                        | √      |                       | 0000xxxxB             |
| 03FEC289H | CAN0 message configuration register 12 | C0MCONF12   |     |                        | √      |                       | Undefined             |
| 03FEC28AH | CAN0 message identifier register 12    | C0MIDL12    |     |                        |        | √                     | Undefined             |
| 03FEC28CH |                                        | C0MIDH12    |     |                        |        | √                     | Undefined             |
| 03FEC28EH | CAN0 message control register 12       | C0MCTRL12   |     |                        |        | √                     | 00x00000<br>000xx000B |
| 03FEC2A0H | CAN0 message data byte 01 register 13  | C0MDATA0113 |     |                        |        | √                     | Undefined             |
| 03FEC2A0H | CAN0 message data byte 0 register 13   | C0MDATA013  |     |                        | √      |                       | Undefined             |
| 03FEC2A1H | CAN0 message data byte 1 register 13   | C0MDATA113  |     |                        | √      |                       | Undefined             |
| 03FEC2A2H | CAN0 message data byte 23 register 13  | C0MDATA2313 |     |                        |        | √                     | Undefined             |
| 03FEC2A2H | CAN0 message data byte 2 register 13   | C0MDATA213  |     |                        | √      |                       | Undefined             |
| 03FEC2A3H | CAN0 message data byte 3 register 13   | C0MDATA313  |     |                        | √      |                       | Undefined             |
| 03FEC2A4H | CAN0 message data byte 45 register 13  | C0MDATA4513 |     |                        |        | √                     | Undefined             |
| 03FEC2A4H | CAN0 message data byte 4 register 13   | C0MDATA413  |     |                        | √      |                       | Undefined             |
| 03FEC2A5H | CAN0 message data byte 5 register 13   | C0MDATA513  |     |                        | √      |                       | Undefined             |
| 03FEC2A6H | CAN0 message data byte 67 register 13  | C0MDATA6713 |     |                        |        | √                     | Undefined             |
| 03FEC2A6H | CAN0 message data byte 6 register 13   | C0MDATA613  |     |                        | √      |                       | Undefined             |
| 03FEC2A7H | CAN0 message data byte 7 register 13   | C0MDATA713  |     | √                      |        | Undefined             |                       |
| 03FEC2A8H | CAN0 message data length register 13   | C0MDLC13    |     | √                      |        | 0000xxxxB             |                       |
| 03FEC2A9H | CAN0 message configuration register 13 | C0MCONF13   |     | √                      |        | Undefined             |                       |
| 03FEC2AAH | CAN0 message identifier register 13    | C0MIDL13    |     |                        | √      | Undefined             |                       |
| 03FEC2ACH |                                        | C0MIDH13    |     |                        | √      | Undefined             |                       |
| 03FEC2AEH | CAN0 message control register 13       | C0MCTRL13   |     |                        | √      | 00x00000<br>000xx000B |                       |

Table 17-16. Register Access Types (9/17)

| Address   | Register Name                          | Symbol      | R/W | Bit Manipulation Units |        |                       | After Reset           |
|-----------|----------------------------------------|-------------|-----|------------------------|--------|-----------------------|-----------------------|
|           |                                        |             |     | 1 Bit                  | 8 Bits | 16 Bits               |                       |
| 03FEC2C0H | CAN0 message data byte 01 register 14  | COMDATA0114 | R/W |                        |        | √                     | Undefined             |
| 03FEC2C0H | CAN0 message data byte 0 register 14   | COMDATA014  |     |                        | √      |                       | Undefined             |
| 03FEC2C1H | CAN0 message data byte 1 register 14   | COMDATA114  |     |                        | √      |                       | Undefined             |
| 03FEC2C2H | CAN0 message data byte 23 register 14  | COMDATA2314 |     |                        |        | √                     | Undefined             |
| 03FEC2C2H | CAN0 message data byte 2 register 14   | COMDATA214  |     |                        | √      |                       | Undefined             |
| 03FEC2C3H | CAN0 message data byte 3 register 14   | COMDATA314  |     |                        | √      |                       | Undefined             |
| 03FEC2C4H | CAN0 message data byte 45 register 14  | COMDATA4514 |     |                        |        | √                     | Undefined             |
| 03FEC2C4H | CAN0 message data byte 4 register 14   | COMDATA414  |     |                        | √      |                       | Undefined             |
| 03FEC2C5H | CAN0 message data byte 5 register 14   | COMDATA514  |     |                        | √      |                       | Undefined             |
| 03FEC2C6H | CAN0 message data byte 67 register 14  | COMDATA6714 |     |                        |        | √                     | Undefined             |
| 03FEC2C6H | CAN0 message data byte 6 register 14   | COMDATA614  |     |                        | √      |                       | Undefined             |
| 03FEC2C7H | CAN0 message data byte 7 register 14   | COMDATA714  |     |                        | √      |                       | Undefined             |
| 03FEC2C8H | CAN0 message data length register 14   | COMDLC14    |     |                        | √      |                       | 0000xxxxB             |
| 03FEC2C9H | CAN0 message configuration register 14 | COMCONF14   |     |                        | √      |                       | Undefined             |
| 03FEC2CAH | CAN0 message identifier register 14    | COMIDL14    |     |                        |        | √                     | Undefined             |
| 03FEC2CCH |                                        | COMIDH14    |     |                        |        | √                     | Undefined             |
| 03FEC2CEH | CAN0 message control register 14       | COMCTRL14   |     |                        |        | √                     | 00x00000<br>000xx000B |
| 03FEC2E0H | CAN0 message data byte 01 register 15  | COMDATA0115 |     |                        |        | √                     | Undefined             |
| 03FEC2E0H | CAN0 message data byte 0 register 15   | COMDATA015  |     |                        | √      |                       | Undefined             |
| 03FEC2E1H | CAN0 message data byte 1 register 15   | COMDATA115  |     |                        | √      |                       | Undefined             |
| 03FEC2E2H | CAN0 message data byte 23 register 15  | COMDATA2315 |     |                        |        | √                     | Undefined             |
| 03FEC2E2H | CAN0 message data byte 2 register 15   | COMDATA215  |     |                        | √      |                       | Undefined             |
| 03FEC2E3H | CAN0 message data byte 3 register 15   | COMDATA315  |     |                        | √      |                       | Undefined             |
| 03FEC2E4H | CAN0 message data byte 45 register 15  | COMDATA4515 |     |                        |        | √                     | Undefined             |
| 03FEC2E4H | CAN0 message data byte 4 register 15   | COMDATA415  |     |                        | √      |                       | Undefined             |
| 03FEC2E5H | CAN0 message data byte 5 register 15   | COMDATA515  |     |                        | √      |                       | Undefined             |
| 03FEC2E6H | CAN0 message data byte 67 register 15  | COMDATA6715 |     |                        |        | √                     | Undefined             |
| 03FEC2E6H | CAN0 message data byte 6 register 15   | COMDATA615  |     | √                      |        | Undefined             |                       |
| 03FEC2E7H | CAN0 message data byte 7 register 15   | COMDATA715  |     | √                      |        | Undefined             |                       |
| 03FEC2E8H | CAN0 message data length register 15   | COMDLC15    |     | √                      |        | 0000xxxxB             |                       |
| 03FEC2E9H | CAN0 message configuration register 15 | COMCONF15   |     | √                      |        | Undefined             |                       |
| 03FEC2EAH | CAN0 message identifier register 15    | COMIDL15    |     |                        | √      | Undefined             |                       |
| 03FEC2ECH |                                        | COMIDH15    |     |                        | √      | Undefined             |                       |
| 03FEC2EEH | CAN0 message control register 15       | COMCTRL15   |     |                        | √      | 00x00000<br>000xx000B |                       |



Table 17-16. Register Access Types (10/17)

| Address   | Register Name                          | Symbol      | R/W | Bit Manipulation Units |        |                       | After Reset           |
|-----------|----------------------------------------|-------------|-----|------------------------|--------|-----------------------|-----------------------|
|           |                                        |             |     | 1 Bit                  | 8 Bits | 16 Bits               |                       |
| 03FEC300H | CAN0 message data byte 01 register 16  | C0MDATA0116 | R/W |                        |        | √                     | Undefined             |
| 03FEC300H | CAN0 message data byte 0 register 16   | C0MDATA016  |     |                        | √      |                       | Undefined             |
| 03FEC301H | CAN0 message data byte 1 register 16   | C0MDATA116  |     |                        | √      |                       | Undefined             |
| 03FEC302H | CAN0 message data byte 23 register 16  | C0MDATA2316 |     |                        |        | √                     | Undefined             |
| 03FEC302H | CAN0 message data byte 2 register 16   | C0MDATA216  |     |                        | √      |                       | Undefined             |
| 03FEC303H | CAN0 message data byte 3 register 16   | C0MDATA316  |     |                        | √      |                       | Undefined             |
| 03FEC304H | CAN0 message data byte 45 register 16  | C0MDATA4516 |     |                        |        | √                     | Undefined             |
| 03FEC304H | CAN0 message data byte 4 register 16   | C0MDATA416  |     |                        | √      |                       | Undefined             |
| 03FEC305H | CAN0 message data byte 5 register 16   | C0MDATA516  |     |                        | √      |                       | Undefined             |
| 03FEC306H | CAN0 message data byte 67 register 16  | C0MDATA6716 |     |                        |        | √                     | Undefined             |
| 03FEC306H | CAN0 message data byte 6 register 16   | C0MDATA616  |     |                        | √      |                       | Undefined             |
| 03FEC307H | CAN0 message data byte 7 register 16   | C0MDATA716  |     |                        | √      |                       | Undefined             |
| 03FEC308H | CAN0 message data length register 16   | C0MDLC16    |     |                        | √      |                       | 0000xxxxB             |
| 03FEC309H | CAN0 message configuration register 16 | C0MCONF16   |     |                        | √      |                       | Undefined             |
| 03FEC30AH | CAN0 message identifier register 16    | C0MIDL16    |     |                        |        | √                     | Undefined             |
| 03FEC30CH |                                        | C0MIDH16    |     |                        |        | √                     | Undefined             |
| 03FEC30EH | CAN0 message control register 16       | C0MCTRL16   |     |                        |        | √                     | 00x00000<br>000xx000B |
| 03FEC320H | CAN0 message data byte 01 register 17  | C0MDATA0117 |     |                        |        | √                     | Undefined             |
| 03FEC320H | CAN0 message data byte 0 register 17   | C0MDATA017  |     |                        | √      |                       | Undefined             |
| 03FEC321H | CAN0 message data byte 1 register 17   | C0MDATA117  |     |                        | √      |                       | Undefined             |
| 03FEC322H | CAN0 message data byte 23 register 17  | C0MDATA2317 |     |                        |        | √                     | Undefined             |
| 03FEC322H | CAN0 message data byte 2 register 17   | C0MDATA217  |     |                        | √      |                       | Undefined             |
| 03FEC323H | CAN0 message data byte 3 register 17   | C0MDATA317  |     |                        | √      |                       | Undefined             |
| 03FEC324H | CAN0 message data byte 45 register 17  | C0MDATA4517 |     |                        |        | √                     | Undefined             |
| 03FEC324H | CAN0 message data byte 4 register 17   | C0MDATA417  |     |                        | √      |                       | Undefined             |
| 03FEC325H | CAN0 message data byte 5 register 17   | C0MDATA517  |     |                        | √      |                       | Undefined             |
| 03FEC326H | CAN0 message data byte 67 register 17  | C0MDATA6717 |     |                        |        | √                     | Undefined             |
| 03FEC326H | CAN0 message data byte 6 register 17   | C0MDATA617  |     | √                      |        | Undefined             |                       |
| 03FEC327H | CAN0 message data byte 7 register 17   | C0MDATA717  |     | √                      |        | Undefined             |                       |
| 03FEC328H | CAN0 message data length register 17   | C0MDLC17    |     | √                      |        | 0000xxxxB             |                       |
| 03FEC329H | CAN0 message configuration register 17 | C0MCONF17   |     | √                      |        | Undefined             |                       |
| 03FEC32AH | CAN0 message identifier register 17    | C0MIDL17    |     |                        | √      | Undefined             |                       |
| 03FEC32CH |                                        | C0MIDH17    |     |                        | √      | Undefined             |                       |
| 03FEC32EH | CAN0 message control register 17       | C0MCTRL17   |     |                        | √      | 00x00000<br>000xx000B |                       |

Table 17-16. Register Access Types (11/17)

| Address   | Register Name                          | Symbol      | R/W | Bit Manipulation Units |        |                       | After Reset           |
|-----------|----------------------------------------|-------------|-----|------------------------|--------|-----------------------|-----------------------|
|           |                                        |             |     | 1 Bit                  | 8 Bits | 16 Bits               |                       |
| 03FEC340H | CAN0 message data byte 01 register 18  | COMDATA0118 | R/W |                        |        | √                     | Undefined             |
| 03FEC340H | CAN0 message data byte 0 register 18   | COMDATA018  |     |                        | √      |                       | Undefined             |
| 03FEC341H | CAN0 message data byte 1 register 18   | COMDATA118  |     |                        | √      |                       | Undefined             |
| 03FEC342H | CAN0 message data byte 23 register 18  | COMDATA2318 |     |                        |        | √                     | Undefined             |
| 03FEC342H | CAN0 message data byte 2 register 18   | COMDATA218  |     |                        | √      |                       | Undefined             |
| 03FEC343H | CAN0 message data byte 3 register 18   | COMDATA318  |     |                        | √      |                       | Undefined             |
| 03FEC344H | CAN0 message data byte 45 register 18  | COMDATA4518 |     |                        |        | √                     | Undefined             |
| 03FEC344H | CAN0 message data byte 4 register 18   | COMDATA418  |     |                        | √      |                       | Undefined             |
| 03FEC345H | CAN0 message data byte 5 register 18   | COMDATA518  |     |                        | √      |                       | Undefined             |
| 03FEC346H | CAN0 message data byte 67 register 18  | COMDATA6718 |     |                        |        | √                     | Undefined             |
| 03FEC346H | CAN0 message data byte 6 register 18   | COMDATA618  |     |                        | √      |                       | Undefined             |
| 03FEC347H | CAN0 message data byte 7 register 18   | COMDATA718  |     |                        | √      |                       | Undefined             |
| 03FEC348H | CAN0 message data length register 18   | COMDLC18    |     |                        | √      |                       | 0000xxxxB             |
| 03FEC349H | CAN0 message configuration register 18 | COMCONF18   |     |                        | √      |                       | Undefined             |
| 03FEC34AH | CAN0 message identifier register 18    | COMIDL18    |     |                        |        | √                     | Undefined             |
| 03FEC34CH |                                        | COMIDH18    |     |                        |        | √                     | Undefined             |
| 03FEC34EH | CAN0 message control register 18       | COMCTRL18   |     |                        |        | √                     | 00x00000<br>000xx000B |
| 03FEC360H | CAN0 message data byte 01 register 19  | COMDATA0119 |     |                        |        | √                     | Undefined             |
| 03FEC360H | CAN0 message data byte 0 register 19   | COMDATA019  |     |                        | √      |                       | Undefined             |
| 03FEC361H | CAN0 message data byte 1 register 19   | COMDATA119  |     |                        | √      |                       | Undefined             |
| 03FEC362H | CAN0 message data byte 23 register 19  | COMDATA2319 |     |                        |        | √                     | Undefined             |
| 03FEC362H | CAN0 message data byte 2 register 19   | COMDATA219  |     |                        | √      |                       | Undefined             |
| 03FEC363H | CAN0 message data byte 3 register 19   | COMDATA319  |     |                        | √      |                       | Undefined             |
| 03FEC364H | CAN0 message data byte 45 register 19  | COMDATA4519 |     |                        |        | √                     | Undefined             |
| 03FEC364H | CAN0 message data byte 4 register 19   | COMDATA419  |     |                        | √      |                       | Undefined             |
| 03FEC365H | CAN0 message data byte 5 register 19   | COMDATA519  |     |                        | √      |                       | Undefined             |
| 03FEC366H | CAN0 message data byte 67 register 19  | COMDATA6719 |     |                        |        | √                     | Undefined             |
| 03FEC366H | CAN0 message data byte 6 register 19   | COMDATA619  |     |                        | √      |                       | Undefined             |
| 03FEC367H | CAN0 message data byte 7 register 19   | COMDATA719  |     |                        | √      |                       | Undefined             |
| 03FEC368H | CAN0 message data length register 19   | COMDLC19    |     |                        | √      |                       | 0000xxxxB             |
| 03FEC369H | CAN0 message configuration register 19 | COMCONF19   |     | √                      |        | Undefined             |                       |
| 03FEC36AH | CAN0 message identifier register 19    | COMIDL19    |     |                        | √      | Undefined             |                       |
| 03FEC36CH |                                        | COMIDH19    |     |                        | √      | Undefined             |                       |
| 03FEC36EH | CAN0 message control register 19       | COMCTRL19   |     |                        | √      | 00x00000<br>000xx000B |                       |

Table 17-16. Register Access Types (12/17)

| Address   | Register Name                          | Symbol      | R/W | Bit Manipulation Units |        |                       | After Reset           |
|-----------|----------------------------------------|-------------|-----|------------------------|--------|-----------------------|-----------------------|
|           |                                        |             |     | 1 Bit                  | 8 Bits | 16 Bits               |                       |
| 03FEC380H | CAN0 message data byte 01 register 20  | C0MDATA0120 | R/W |                        |        | √                     | Undefined             |
| 03FEC380H | CAN0 message data byte 0 register 20   | C0MDATA020  |     |                        | √      |                       | Undefined             |
| 03FEC381H | CAN0 message data byte 1 register 20   | C0MDATA120  |     |                        | √      |                       | Undefined             |
| 03FEC382H | CAN0 message data byte 23 register 20  | C0MDATA2320 |     |                        |        | √                     | Undefined             |
| 03FEC382H | CAN0 message data byte 2 register 20   | C0MDATA220  |     |                        | √      |                       | Undefined             |
| 03FEC383H | CAN0 message data byte 3 register 20   | C0MDATA320  |     |                        | √      |                       | Undefined             |
| 03FEC384H | CAN0 message data byte 45 register 20  | C0MDATA4520 |     |                        |        | √                     | Undefined             |
| 03FEC384H | CAN0 message data byte 4 register 20   | C0MDATA420  |     |                        | √      |                       | Undefined             |
| 03FEC385H | CAN0 message data byte 5 register 20   | C0MDATA520  |     |                        | √      |                       | Undefined             |
| 03FEC386H | CAN0 message data byte 67 register 20  | C0MDATA6720 |     |                        |        | √                     | Undefined             |
| 03FEC386H | CAN0 message data byte 6 register 20   | C0MDATA620  |     |                        | √      |                       | Undefined             |
| 03FEC387H | CAN0 message data byte 7 register 20   | C0MDATA720  |     |                        | √      |                       | Undefined             |
| 03FEC388H | CAN0 message data length register 20   | C0MDLC20    |     |                        | √      |                       | 0000xxxxB             |
| 03FEC389H | CAN0 message configuration register 20 | C0MCONF20   |     |                        | √      |                       | Undefined             |
| 03FEC38AH | CAN0 message identifier register 20    | C0MIDL20    |     |                        |        | √                     | Undefined             |
| 03FEC38CH |                                        | C0MIDH20    |     |                        |        | √                     | Undefined             |
| 03FEC38EH | CAN0 message control register 20       | C0MCTRL20   |     |                        |        | √                     | 00x00000<br>000xx000B |
| 03FEC3A0H | CAN0 message data byte 01 register 21  | C0MDATA0121 |     |                        |        | √                     | Undefined             |
| 03FEC3A0H | CAN0 message data byte 0 register 21   | C0MDATA021  |     |                        | √      |                       | Undefined             |
| 03FEC3A1H | CAN0 message data byte 1 register 21   | C0MDATA121  |     |                        | √      |                       | Undefined             |
| 03FEC3A2H | CAN0 message data byte 23 register 21  | C0MDATA2321 |     |                        |        | √                     | Undefined             |
| 03FEC3A2H | CAN0 message data byte 2 register 21   | C0MDATA221  |     |                        | √      |                       | Undefined             |
| 03FEC3A3H | CAN0 message data byte 3 register 21   | C0MDATA321  |     |                        | √      |                       | Undefined             |
| 03FEC3A4H | CAN0 message data byte 45 register 21  | C0MDATA4521 |     |                        |        | √                     | Undefined             |
| 03FEC3A4H | CAN0 message data byte 4 register 21   | C0MDATA421  |     |                        | √      |                       | Undefined             |
| 03FEC3A5H | CAN0 message data byte 5 register 21   | C0MDATA521  |     |                        | √      |                       | Undefined             |
| 03FEC3A6H | CAN0 message data byte 67 register 21  | C0MDATA6721 |     |                        |        | √                     | Undefined             |
| 03FEC3A6H | CAN0 message data byte 6 register 21   | C0MDATA621  |     | √                      |        | Undefined             |                       |
| 03FEC3A7H | CAN0 message data byte 7 register 21   | C0MDATA721  |     | √                      |        | Undefined             |                       |
| 03FEC3A8H | CAN0 message data length register 21   | C0MDLC21    |     | √                      |        | 0000xxxxB             |                       |
| 03FEC3A9H | CAN0 message configuration register 21 | C0MCONF21   |     | √                      |        | Undefined             |                       |
| 03FEC3AAH | CAN0 message identifier register 21    | C0MIDL21    |     |                        | √      | Undefined             |                       |
| 03FEC3ACH |                                        | C0MIDH21    |     |                        | √      | Undefined             |                       |
| 03FEC3AEH | CAN0 message control register 21       | C0MCTRL21   |     |                        | √      | 00x00000<br>000xx000B |                       |

Table 17-16. Register Access Types (13/17)

| Address   | Register Name                          | Symbol      | R/W | Bit Manipulation Units |        |                       | After Reset           |
|-----------|----------------------------------------|-------------|-----|------------------------|--------|-----------------------|-----------------------|
|           |                                        |             |     | 1 Bit                  | 8 Bits | 16 Bits               |                       |
| 03FEC3C0H | CAN0 message data byte 01 register 22  | COMDATA0122 | R/W |                        |        | √                     | Undefined             |
| 03FEC3C0H | CAN0 message data byte 0 register 22   | COMDATA022  |     |                        | √      |                       | Undefined             |
| 03FEC3C1H | CAN0 message data byte 1 register 22   | COMDATA122  |     |                        | √      |                       | Undefined             |
| 03FEC3C2H | CAN0 message data byte 23 register 22  | COMDATA2322 |     |                        |        | √                     | Undefined             |
| 03FEC3C2H | CAN0 message data byte 2 register 22   | COMDATA222  |     |                        | √      |                       | Undefined             |
| 03FEC3C3H | CAN0 message data byte 3 register 22   | COMDATA322  |     |                        | √      |                       | Undefined             |
| 03FEC3C4H | CAN0 message data byte 45 register 22  | COMDATA4522 |     |                        |        | √                     | Undefined             |
| 03FEC3C4H | CAN0 message data byte 4 register 22   | COMDATA422  |     |                        | √      |                       | Undefined             |
| 03FEC3C5H | CAN0 message data byte 5 register 22   | COMDATA522  |     |                        | √      |                       | Undefined             |
| 03FEC3C6H | CAN0 message data byte 67 register 22  | COMDATA6722 |     |                        |        | √                     | Undefined             |
| 03FEC3C6H | CAN0 message data byte 6 register 22   | COMDATA622  |     |                        | √      |                       | Undefined             |
| 03FEC3C7H | CAN0 message data byte 7 register 22   | COMDATA722  |     |                        | √      |                       | Undefined             |
| 03FEC3C8H | CAN0 message data length register 22   | COMDLC22    |     |                        | √      |                       | 0000xxxxB             |
| 03FEC3C9H | CAN0 message configuration register 22 | COMCONF22   |     |                        | √      |                       | Undefined             |
| 03FEC3CAH | CAN0 message identifier register 22    | COMIDL22    |     |                        |        | √                     | Undefined             |
| 03FEC3CCH |                                        | COMIDH22    |     |                        |        | √                     | Undefined             |
| 03FEC3CEH | CAN0 message control register 22       | COMCTRL22   |     |                        |        | √                     | 00x00000<br>000xx000B |
| 03FEC3E0H | CAN0 message data byte 01 register 23  | COMDATA0123 |     |                        |        | √                     | Undefined             |
| 03FEC3E0H | CAN0 message data byte 0 register 23   | COMDATA023  |     |                        | √      |                       | Undefined             |
| 03FEC3E1H | CAN0 message data byte 1 register 23   | COMDATA123  |     |                        | √      |                       | Undefined             |
| 03FEC3E2H | CAN0 message data byte 23 register 23  | COMDATA2323 |     |                        |        | √                     | Undefined             |
| 03FEC3E2H | CAN0 message data byte 2 register 23   | COMDATA223  |     |                        | √      |                       | Undefined             |
| 03FEC3E3H | CAN0 message data byte 3 register 23   | COMDATA323  |     |                        | √      |                       | Undefined             |
| 03FEC3E4H | CAN0 message data byte 45 register 23  | COMDATA4523 |     |                        |        | √                     | Undefined             |
| 03FEC3E4H | CAN0 message data byte 4 register 23   | COMDATA423  |     |                        | √      |                       | Undefined             |
| 03FEC3E5H | CAN0 message data byte 5 register 23   | COMDATA523  |     |                        | √      |                       | Undefined             |
| 03FEC3E6H | CAN0 message data byte 67 register 23  | COMDATA6723 |     |                        |        | √                     | Undefined             |
| 03FEC3E6H | CAN0 message data byte 6 register 23   | COMDATA623  |     |                        | √      |                       | Undefined             |
| 03FEC3E7H | CAN0 message data byte 7 register 23   | COMDATA723  |     |                        | √      |                       | Undefined             |
| 03FEC3E8H | CAN0 message data length register 23   | COMDLC23    |     |                        | √      |                       | 0000xxxxB             |
| 03FEC3E9H | CAN0 message configuration register 23 | COMCONF23   |     | √                      |        | Undefined             |                       |
| 03FEC3EAH | CAN0 message identifier register 23    | COMIDL23    |     |                        | √      | Undefined             |                       |
| 03FEC3ECH |                                        | COMIDH23    |     |                        | √      | Undefined             |                       |
| 03FEC3EEH | CAN0 message control register 23       | COMCTRL23   |     |                        | √      | 00x00000<br>000xx000B |                       |

Table 17-16. Register Access Types (14/17)

| Address   | Register Name                          | Symbol      | R/W | Bit Manipulation Units |        |                       | After Reset           |
|-----------|----------------------------------------|-------------|-----|------------------------|--------|-----------------------|-----------------------|
|           |                                        |             |     | 1 Bit                  | 8 Bits | 16 Bits               |                       |
| 03FEC400H | CAN0 message data byte 01 register 24  | C0MDATA0124 | R/W |                        |        | √                     | Undefined             |
| 03FEC400H | CAN0 message data byte 0 register 24   | C0MDATA024  |     |                        | √      |                       | Undefined             |
| 03FEC401H | CAN0 message data byte 1 register 24   | C0MDATA124  |     |                        | √      |                       | Undefined             |
| 03FEC402H | CAN0 message data byte 23 register 24  | C0MDATA2324 |     |                        |        | √                     | Undefined             |
| 03FEC402H | CAN0 message data byte 2 register 24   | C0MDATA224  |     |                        | √      |                       | Undefined             |
| 03FEC403H | CAN0 message data byte 3 register 24   | C0MDATA324  |     |                        | √      |                       | Undefined             |
| 03FEC404H | CAN0 message data byte 45 register 24  | C0MDATA4524 |     |                        |        | √                     | Undefined             |
| 03FEC404H | CAN0 message data byte 4 register 24   | C0MDATA424  |     |                        | √      |                       | Undefined             |
| 03FEC405H | CAN0 message data byte 5 register 24   | C0MDATA524  |     |                        | √      |                       | Undefined             |
| 03FEC406H | CAN0 message data byte 67 register 24  | C0MDATA6724 |     |                        |        | √                     | Undefined             |
| 03FEC406H | CAN0 message data byte 6 register 24   | C0MDATA624  |     |                        | √      |                       | Undefined             |
| 03FEC407H | CAN0 message data byte 7 register 24   | C0MDATA724  |     |                        | √      |                       | Undefined             |
| 03FEC408H | CAN0 message data length register 24   | C0MDLC24    |     |                        | √      |                       | 0000xxxxB             |
| 03FEC409H | CAN0 message configuration register 24 | C0MCONF24   |     |                        | √      |                       | Undefined             |
| 03FEC40AH | CAN0 message identifier register 24    | C0MIDL24    |     |                        |        | √                     | Undefined             |
| 03FEC40CH |                                        | C0MIDH24    |     |                        |        | √                     | Undefined             |
| 03FEC40EH | CAN0 message control register 24       | C0MCTRL24   |     |                        |        | √                     | 00x00000<br>000xx000B |
| 03FEC420H | CAN0 message data byte 01 register 25  | C0MDATA0125 |     |                        |        | √                     | Undefined             |
| 03FEC420H | CAN0 message data byte 0 register 25   | C0MDATA025  |     |                        | √      |                       | Undefined             |
| 03FEC421H | CAN0 message data byte 1 register 25   | C0MDATA125  |     |                        | √      |                       | Undefined             |
| 03FEC422H | CAN0 message data byte 23 register 25  | C0MDATA2325 |     |                        |        | √                     | Undefined             |
| 03FEC422H | CAN0 message data byte 2 register 25   | C0MDATA225  |     |                        | √      |                       | Undefined             |
| 03FEC423H | CAN0 message data byte 3 register 25   | C0MDATA325  |     |                        | √      |                       | Undefined             |
| 03FEC424H | CAN0 message data byte 45 register 25  | C0MDATA4525 |     |                        |        | √                     | Undefined             |
| 03FEC424H | CAN0 message data byte 4 register 25   | C0MDATA425  |     | √                      |        | Undefined             |                       |
| 03FEC425H | CAN0 message data byte 5 register 25   | C0MDATA525  |     | √                      |        | Undefined             |                       |
| 03FEC426H | CAN0 message data byte 67 register 25  | C0MDATA6725 |     |                        | √      | Undefined             |                       |
| 03FEC426H | CAN0 message data byte 6 register 25   | C0MDATA625  |     | √                      |        | Undefined             |                       |
| 03FEC427H | CAN0 message data byte 7 register 25   | C0MDATA725  |     | √                      |        | Undefined             |                       |
| 03FEC428H | CAN0 message data length register 25   | C0MDLC25    |     | √                      |        | 0000xxxxB             |                       |
| 03FEC429H | CAN0 message configuration register 25 | C0MCONF25   |     | √                      |        | Undefined             |                       |
| 03FEC42AH | CAN0 message identifier register 25    | C0MIDL25    |     |                        | √      | Undefined             |                       |
| 03FEC42CH |                                        | C0MIDH25    |     |                        | √      | Undefined             |                       |
| 03FEC42EH | CAN0 message control register 25       | C0MCTRL25   |     |                        | √      | 00x00000<br>000xx000B |                       |

Table 17-16. Register Access Types (15/17)

| Address   | Register Name                          | Symbol      | R/W | Bit Manipulation Units |        |                       | After Reset           |
|-----------|----------------------------------------|-------------|-----|------------------------|--------|-----------------------|-----------------------|
|           |                                        |             |     | 1 Bit                  | 8 Bits | 16 Bits               |                       |
| 03FEC440H | CAN0 message data byte 01 register 26  | COMDATA0126 | R/W |                        |        | √                     | Undefined             |
| 03FEC440H | CAN0 message data byte 0 register 26   | COMDATA026  |     |                        | √      |                       | Undefined             |
| 03FEC441H | CAN0 message data byte 1 register 26   | COMDATA126  |     |                        | √      |                       | Undefined             |
| 03FEC442H | CAN0 message data byte 23 register 26  | COMDATA2326 |     |                        |        | √                     | Undefined             |
| 03FEC442H | CAN0 message data byte 2 register 26   | COMDATA226  |     |                        | √      |                       | Undefined             |
| 03FEC443H | CAN0 message data byte 3 register 26   | COMDATA326  |     |                        | √      |                       | Undefined             |
| 03FEC444H | CAN0 message data byte 45 register 26  | COMDATA4526 |     |                        |        | √                     | Undefined             |
| 03FEC444H | CAN0 message data byte 4 register 26   | COMDATA426  |     |                        | √      |                       | Undefined             |
| 03FEC445H | CAN0 message data byte 5 register 26   | COMDATA526  |     |                        | √      |                       | Undefined             |
| 03FEC446H | CAN0 message data byte 67 register 26  | COMDATA6726 |     |                        |        | √                     | Undefined             |
| 03FEC446H | CAN0 message data byte 6 register 26   | COMDATA626  |     |                        | √      |                       | Undefined             |
| 03FEC447H | CAN0 message data byte 7 register 26   | COMDATA726  |     |                        | √      |                       | Undefined             |
| 03FEC448H | CAN0 message data length register 26   | COMDLC26    |     |                        | √      |                       | 0000xxxxB             |
| 03FEC449H | CAN0 message configuration register 26 | COMCONF26   |     |                        | √      |                       | Undefined             |
| 03FEC44AH | CAN0 message identifier register 26    | COMIDL26    |     |                        |        | √                     | Undefined             |
| 03FEC44CH |                                        | COMIDH26    |     |                        |        | √                     | Undefined             |
| 03FEC44EH | CAN0 message control register 26       | COMCTRL26   |     |                        |        | √                     | 00x00000<br>000xx000B |
| 03FEC460H | CAN0 message data byte 01 register 27  | COMDATA0127 |     |                        |        | √                     | Undefined             |
| 03FEC460H | CAN0 message data byte 0 register 27   | COMDATA027  |     |                        | √      |                       | Undefined             |
| 03FEC461H | CAN0 message data byte 1 register 27   | COMDATA127  |     |                        | √      |                       | Undefined             |
| 03FEC462H | CAN0 message data byte 23 register 27  | COMDATA2327 |     |                        |        | √                     | Undefined             |
| 03FEC462H | CAN0 message data byte 2 register 27   | COMDATA227  |     |                        | √      |                       | Undefined             |
| 03FEC463H | CAN0 message data byte 3 register 27   | COMDATA327  |     |                        | √      |                       | Undefined             |
| 03FEC464H | CAN0 message data byte 45 register 27  | COMDATA4527 |     |                        |        | √                     | Undefined             |
| 03FEC464H | CAN0 message data byte 4 register 27   | COMDATA427  |     |                        | √      |                       | Undefined             |
| 03FEC465H | CAN0 message data byte 5 register 27   | COMDATA527  |     |                        | √      |                       | Undefined             |
| 03FEC466H | CAN0 message data byte 67 register 27  | COMDATA6727 |     |                        |        | √                     | Undefined             |
| 03FEC466H | CAN0 message data byte 6 register 27   | COMDATA627  |     |                        | √      |                       | Undefined             |
| 03FEC467H | CAN0 message data byte 7 register 27   | COMDATA727  |     |                        | √      |                       | Undefined             |
| 03FEC468H | CAN0 message data length register 27   | COMDLC27    |     |                        | √      |                       | 0000xxxxB             |
| 03FEC469H | CAN0 message configuration register 27 | COMCONF27   |     | √                      |        | Undefined             |                       |
| 03FEC46AH | CAN0 message identifier register 27    | COMIDL27    |     |                        | √      | Undefined             |                       |
| 03FEC46CH |                                        | COMIDH27    |     |                        | √      | Undefined             |                       |
| 03FEC46EH | CAN0 message control register 27       | COMCTRL27   |     |                        | √      | 00x00000<br>000xx000B |                       |

Table 17-16. Register Access Types (16/17)

| Address   | Register Name                          | Symbol      | R/W | Bit Manipulation Units |        |                       | After Reset           |
|-----------|----------------------------------------|-------------|-----|------------------------|--------|-----------------------|-----------------------|
|           |                                        |             |     | 1 Bit                  | 8 Bits | 16 Bits               |                       |
| 03FEC480H | CAN0 message data byte 01 register 28  | C0MDATA0128 | R/W |                        |        | √                     | Undefined             |
| 03FEC480H | CAN0 message data byte 0 register 28   | C0MDATA028  |     |                        | √      |                       | Undefined             |
| 03FEC481H | CAN0 message data byte 1 register 28   | C0MDATA128  |     |                        | √      |                       | Undefined             |
| 03FEC482H | CAN0 message data byte 23 register 28  | C0MDATA2328 |     |                        |        | √                     | Undefined             |
| 03FEC482H | CAN0 message data byte 2 register 28   | C0MDATA228  |     |                        | √      |                       | Undefined             |
| 03FEC483H | CAN0 message data byte 3 register 28   | C0MDATA328  |     |                        | √      |                       | Undefined             |
| 03FEC484H | CAN0 message data byte 45 register 28  | C0MDATA4528 |     |                        |        | √                     | Undefined             |
| 03FEC484H | CAN0 message data byte 4 register 28   | C0MDATA428  |     |                        | √      |                       | Undefined             |
| 03FEC485H | CAN0 message data byte 5 register 28   | C0MDATA528  |     |                        | √      |                       | Undefined             |
| 03FEC486H | CAN0 message data byte 67 register 28  | C0MDATA6728 |     |                        |        | √                     | Undefined             |
| 03FEC486H | CAN0 message data byte 6 register 28   | C0MDATA628  |     |                        | √      |                       | Undefined             |
| 03FEC487H | CAN0 message data byte 7 register 28   | C0MDATA728  |     |                        | √      |                       | Undefined             |
| 03FEC488H | CAN0 message data length register 28   | C0MDLC28    |     |                        | √      |                       | 0000xxxxB             |
| 03FEC489H | CAN0 message configuration register 28 | C0MCONF28   |     |                        | √      |                       | Undefined             |
| 03FEC48AH | CAN0 message identifier register 28    | C0MIDL28    |     |                        |        | √                     | Undefined             |
| 03FEC48CH |                                        | C0MIDH28    |     |                        |        | √                     | Undefined             |
| 03FEC48EH | CAN0 message control register 28       | C0MCTRL28   |     |                        |        | √                     | 00x00000<br>000xx000B |
| 03FEC4A0H | CAN0 message data byte 01 register 29  | C0MDATA0129 |     |                        |        | √                     | Undefined             |
| 03FEC4A0H | CAN0 message data byte 0 register 29   | C0MDATA029  |     |                        | √      |                       | Undefined             |
| 03FEC4A1H | CAN0 message data byte 1 register 29   | C0MDATA129  |     |                        | √      |                       | Undefined             |
| 03FEC4A2H | CAN0 message data byte 23 register 29  | C0MDATA2329 |     |                        |        | √                     | Undefined             |
| 03FEC4A2H | CAN0 message data byte 2 register 29   | C0MDATA229  |     |                        | √      |                       | Undefined             |
| 03FEC4A3H | CAN0 message data byte 3 register 29   | C0MDATA329  |     |                        | √      |                       | Undefined             |
| 03FEC4A4H | CAN0 message data byte 45 register 29  | C0MDATA4529 |     |                        |        | √                     | Undefined             |
| 03FEC4A4H | CAN0 message data byte 4 register 29   | C0MDATA429  |     |                        | √      |                       | Undefined             |
| 03FEC4A5H | CAN0 message data byte 5 register 29   | C0MDATA529  |     |                        | √      |                       | Undefined             |
| 03FEC4A6H | CAN0 message data byte 67 register 29  | C0MDATA6729 |     |                        |        | √                     | Undefined             |
| 03FEC4A6H | CAN0 message data byte 6 register 29   | C0MDATA629  |     |                        | √      |                       | Undefined             |
| 03FEC4A7H | CAN0 message data byte 7 register 29   | C0MDATA729  |     | √                      |        | Undefined             |                       |
| 03FEC4A8H | CAN0 message data length register 29   | C0MDLC29    |     | √                      |        | 0000xxxxB             |                       |
| 03FEC4A9H | CAN0 message configuration register 29 | C0MCONF29   |     | √                      |        | Undefined             |                       |
| 03FEC4AAH | CAN0 message identifier register 29    | C0MIDL29    |     |                        | √      | Undefined             |                       |
| 03FEC4ACH |                                        | C0MIDH29    |     |                        | √      | Undefined             |                       |
| 03FEC4AEH | CAN0 message control register 29       | C0MCTRL29   |     |                        | √      | 00x00000<br>000xx000B |                       |

Table 17-16. Register Access Types (17/17)

| Address   | Register Name                          | Symbol      | R/W | Bit Manipulation Units |        |                       | After Reset           |
|-----------|----------------------------------------|-------------|-----|------------------------|--------|-----------------------|-----------------------|
|           |                                        |             |     | 1 Bit                  | 8 Bits | 16 Bits               |                       |
| 03FEC4C0H | CAN0 message data byte 01 register 30  | COMDATA0130 | R/W |                        |        | √                     | Undefined             |
| 03FEC4C0H | CAN0 message data byte 0 register 30   | COMDATA030  |     |                        | √      |                       | Undefined             |
| 03FEC4C1H | CAN0 message data byte 1 register 30   | COMDATA130  |     |                        | √      |                       | Undefined             |
| 03FEC4C2H | CAN0 message data byte 23 register 30  | COMDATA2330 |     |                        |        | √                     | Undefined             |
| 03FEC4C2H | CAN0 message data byte 2 register 30   | COMDATA230  |     |                        | √      |                       | Undefined             |
| 03FEC4C3H | CAN0 message data byte 3 register 30   | COMDATA330  |     |                        | √      |                       | Undefined             |
| 03FEC4C4H | CAN0 message data byte 45 register 30  | COMDATA4530 |     |                        |        | √                     | Undefined             |
| 03FEC4C4H | CAN0 message data byte 4 register 30   | COMDATA430  |     |                        | √      |                       | Undefined             |
| 03FEC4C5H | CAN0 message data byte 5 register 30   | COMDATA530  |     |                        | √      |                       | Undefined             |
| 03FEC4C6H | CAN0 message data byte 67 register 30  | COMDATA6730 |     |                        |        | √                     | Undefined             |
| 03FEC4C6H | CAN0 message data byte 6 register 30   | COMDATA630  |     |                        | √      |                       | Undefined             |
| 03FEC4C7H | CAN0 message data byte 7 register 30   | COMDATA730  |     |                        | √      |                       | Undefined             |
| 03FEC4C8H | CAN0 message data length register 30   | COMDLC30    |     |                        | √      |                       | 0000xxxxB             |
| 03FEC4C9H | CAN0 message configuration register 30 | COMCONF30   |     |                        | √      |                       | Undefined             |
| 03FEC4CAH | CAN0 message identifier register 30    | COMIDL30    |     |                        |        | √                     | Undefined             |
| 03FEC4CCH |                                        | COMIDH30    |     |                        |        | √                     | Undefined             |
| 03FEC4CEH | CAN0 message control register 30       | COMCTRL30   |     |                        |        | √                     | 00x00000<br>000xx000B |
| 03FEC4E0H | CAN0 message data byte 01 register 31  | COMDATA0131 |     |                        |        | √                     | Undefined             |
| 03FEC4E0H | CAN0 message data byte 0 register 31   | COMDATA031  |     |                        | √      |                       | Undefined             |
| 03FEC4E1H | CAN0 message data byte 1 register 31   | COMDATA131  |     |                        | √      |                       | Undefined             |
| 03FEC4E2H | CAN0 message data byte 23 register 31  | COMDATA2331 |     |                        |        | √                     | Undefined             |
| 03FEC4E2H | CAN0 message data byte 2 register 31   | COMDATA231  |     |                        | √      |                       | Undefined             |
| 03FEC4E3H | CAN0 message data byte 3 register 31   | COMDATA331  |     |                        | √      |                       | Undefined             |
| 03FEC4E4H | CAN0 message data byte 45 register 31  | COMDATA4531 |     |                        |        | √                     | Undefined             |
| 03FEC4E4H | CAN0 message data byte 4 register 31   | COMDATA431  |     |                        | √      |                       | Undefined             |
| 03FEC4E5H | CAN0 message data byte 5 register 31   | COMDATA531  |     |                        | √      |                       | Undefined             |
| 03FEC4E6H | CAN0 message data byte 67 register 31  | COMDATA6731 |     |                        |        | √                     | Undefined             |
| 03FEC4E6H | CAN0 message data byte 6 register 31   | COMDATA631  |     |                        | √      |                       | Undefined             |
| 03FEC4E7H | CAN0 message data byte 7 register 31   | COMDATA731  |     |                        | √      |                       | Undefined             |
| 03FEC4E8H | CAN0 message data length register 31   | COMDLC31    |     |                        | √      |                       | 0000xxxxB             |
| 03FEC4E9H | CAN0 message configuration register 31 | COMCONF31   |     | √                      |        | Undefined             |                       |
| 03FEC4EAH | CAN0 message identifier register 31    | COMIDL31    |     |                        | √      | Undefined             |                       |
| 03FEC4ECH |                                        | COMIDH31    |     |                        | √      | Undefined             |                       |
| 03FEC4EEH | CAN0 message control register 31       | COMCTRL31   |     |                        | √      | 00x00000<br>000xx000B |                       |



## 17.5.3 Register bit configuration

Table 17-17. CAN Global Register Bit Configuration

| Address   | Symbol       | Bit 7/15 | Bit 6/14 | Bit 5/13 | Bit 4/12 | Bit 3/11 | Bit 2/10 | Bit 1/9    | Bit 0/8      |
|-----------|--------------|----------|----------|----------|----------|----------|----------|------------|--------------|
| 03FEC000H | COGMCTRL (W) | 0        | 0        | 0        | 0        | 0        | 0        | 0          | Clear GOM    |
| 03FEC001H |              | 0        | 0        | 0        | 0        | 0        | 0        | Set EFSD   | Set GOM      |
| 03FEC000H | COGMCTRL (R) | 0        | 0        | 0        | 0        | 0        | 0        | EFSD       | GOM          |
| 03FEC001H |              | MBON     | 0        | 0        | 0        | 0        | 0        | 0          | 0            |
| 03FEC002H | COGMCS       | 0        | 0        | 0        | 0        | CCP3     | CCP2     | CCP1       | CCP0         |
| 03FEC006H | COGMABT (W)  | 0        | 0        | 0        | 0        | 0        | 0        | 0          | Clear ABTTRG |
| 03FEC007H |              | 0        | 0        | 0        | 0        | 0        | 0        | Set ABTCLR | Set ABTTRG   |
| 03FEC006H | COGMABT (R)  | 0        | 0        | 0        | 0        | 0        | 0        | ABTCLR     | ABTTRG       |
| 03FEC007H |              | 0        | 0        | 0        | 0        | 0        | 0        | 0          | 0            |
| 03FEC008H | COGMABTD     | 0        | 0        | 0        | 0        | ABTD3    | ABTD2    | ABTD1      | ABTD0        |

Table 17-18. CAN Module Register Bit Configuration (1/2)

| Address   | Symbol     | Bit 7/15         | Bit 6/14 | Bit 5/13     | Bit 4/12         | Bit 3/11      | Bit 2/10      | Bit 1/9       | Bit 0/8       |
|-----------|------------|------------------|----------|--------------|------------------|---------------|---------------|---------------|---------------|
| 03FEC040H | C0MASK1L   | CMID7 to CMID0   |          |              |                  |               |               |               |               |
| 03FEC041H |            | CMID15 to CMID8  |          |              |                  |               |               |               |               |
| 03FEC042H | C0MASK1H   | CMID23 to CMID16 |          |              |                  |               |               |               |               |
| 03FEC043H |            | 0                | 0        | 0            | CMID28 to CMID24 |               |               |               |               |
| 03FEC044H | C0MASK2L   | CMID7 to CMID0   |          |              |                  |               |               |               |               |
| 03FEC045H |            | CMID15 to CMID8  |          |              |                  |               |               |               |               |
| 03FEC046H | C0MASK2H   | CMID23 to CMID16 |          |              |                  |               |               |               |               |
| 03FEC047H |            | 0                | 0        | 0            | CMID28 to CMID24 |               |               |               |               |
| 03FEC048H | C0MASK3L   | CMID7 to CMID0   |          |              |                  |               |               |               |               |
| 03FEC049H |            | CMID15 to CMID8  |          |              |                  |               |               |               |               |
| 03FEC04AH | C0MASK3H   | CMID23 to CMID16 |          |              |                  |               |               |               |               |
| 03FEC04BH |            | 0                | 0        | 0            | CMID28 to CMID24 |               |               |               |               |
| 03FEC04CH | C0MASK4L   | CMID7 to CMID0   |          |              |                  |               |               |               |               |
| 03FEC04DH |            | CMID15 to CMID8  |          |              |                  |               |               |               |               |
| 03FEC04EH | C0MASK4H   | CMID23 to CMID16 |          |              |                  |               |               |               |               |
| 03FEC04FH |            | 0                | 0        | 0            | CMID28 to CMID24 |               |               |               |               |
| 03FEC050H | C0CTRL (W) | 0                | Clear AL | Clear VALID  | Clear PSMODE1    | Clear PSMODE0 | Clear OPMODE2 | Clear OPMODE1 | Clear OPMODE0 |
| 03FEC051H |            | Set CCERC        | Set AL   | 0            | Set PSMODE1      | Set PSMODE0   | Set OPMODE2   | Set OPMODE1   | Set OPMODE0   |
| 03FEC050H | C0CTRL (R) | CCERC            | AL       | VALID        | PS MODE1         | PS MODE0      | OP MODE2      | OP MODE1      | OP MODE0      |
| 03FEC051H |            | 0                | 0        | 0            | 0                | 0             | 0             | RSTAT         | TSTAT         |
| 03FEC052H | C0LEC (W)  | 0                | 0        | 0            | 0                | 0             | 0             | 0             | 0             |
| 03FEC052H | C0LEC (R)  | 0                | 0        | 0            | 0                | 0             | LEC2          | LEC1          | LEC0          |
| 03FEC053H | C0INFO     | 0                | 0        | 0            | BOFF             | TECS1         | TECS0         | RECS1         | RECS0         |
| 03FEC054H | C0ERC      | TEC7 to TEC0     |          |              |                  |               |               |               |               |
| 03FEC055H |            | REC7 to REC0     |          |              |                  |               |               |               |               |
| 03FEC056H | C0IE (W)   | 0                | 0        | Clear CIE5   | Clear CIE4       | Clear CIE3    | Clear CIE2    | Clear CIE1    | Clear CIE0    |
| 03FEC057H |            | 0                | 0        | Set CIE5     | Set CIE4         | Set CIE3      | Set CIE2      | Set CIE1      | Set CIE0      |
| 03FEC056H | C0IE (R)   | 0                | 0        | CIE5         | CIE4             | CIE3          | CIE2          | CIE1          | CIE0          |
| 03FEC057H |            | 0                | 0        | 0            | 0                | 0             | 0             | 0             | 0             |
| 03FEC058H | C0INTS (W) | 0                | 0        | Clear CINTS5 | Clear CINTS4     | Clear CINTS3  | Clear CINTS2  | Clear CINTS1  | Clear CINTS0  |
| 03FEC059H |            | 0                | 0        | 0            | 0                | 0             | 0             | 0             | 0             |
| 03FEC058H | C0INTS (R) | 0                | 0        | CINTS5       | CINTS4           | CINTS3        | CINTS2        | CINTS1        | CINTS0        |
| 03FEC059H |            | 0                | 0        | 0            | 0                | 0             | 0             | 0             | 0             |

Table 17-18. CAN Module Register Bit Configuration (2/2)

| Address                | Symbol     | Bit 7/15                                    | Bit 6/14 | Bit 5/13   | Bit 4/12 | Bit 3/11         | Bit 2/10         | Bit 1/9 | Bit 0/8    |
|------------------------|------------|---------------------------------------------|----------|------------|----------|------------------|------------------|---------|------------|
| 03FEC05AH              | C0BRP      | TQPRS7 to TQPRS0                            |          |            |          |                  |                  |         |            |
| 03FEC05CH              | C0BTR      | 0                                           | 0        | 0          | 0        | TSEG13 to TSEG10 |                  |         |            |
| 03FEC05DH              |            | 0                                           | 0        | SJW1, SJW0 |          | 0                | TSEG22 to TSEG20 |         |            |
| 03FEC05EH              | C0LIPT     | LIPT7 to LIPT0                              |          |            |          |                  |                  |         |            |
| 03FEC060H              | C0RGPT (W) | 0                                           | 0        | 0          | 0        | 0                | 0                | 0       | Clear ROVF |
| 03FEC061H              |            | 0                                           | 0        | 0          | 0        | 0                | 0                | 0       | 0          |
| 03FEC060H              | C0RGPT (R) | 0                                           | 0        | 0          | 0        | 0                | 0                | RHPM    | ROVF       |
| 03FEC061H              |            | RGPT7 to RGPT0                              |          |            |          |                  |                  |         |            |
| 03FEC062H              | C0LOPT     | LOPT7 to LOPT0                              |          |            |          |                  |                  |         |            |
| 03FEC064H              | C0TGPT (W) | 0                                           | 0        | 0          | 0        | 0                | 0                | 0       | Clear TOVF |
| 03FEC065H              |            | 0                                           | 0        | 0          | 0        | 0                | 0                | 0       | 0          |
| 03FEC064H              | C0TGPT (R) | 0                                           | 0        | 0          | 0        | 0                | 0                | THPM    | TOVF       |
| 03FEC065H              |            | TGPT7 to TGPT0                              |          |            |          |                  |                  |         |            |
| 03FEC068H to 03FEC0FFH | –          | Access prohibited (reserved for future use) |          |            |          |                  |                  |         |            |

Table 17-19. Message Buffer Register Bit Configuration

| Address                     | Symbol       | Bit 7/15                                    | Bit 6/14 | Bit 5/13 | Bit 4/12  | Bit 3/11 | Bit 2/10 | Bit 1/9   | Bit 0/8   |  |
|-----------------------------|--------------|---------------------------------------------|----------|----------|-----------|----------|----------|-----------|-----------|--|
| 03FECxx0H                   | COMDATA01m   | Message data (byte 0)                       |          |          |           |          |          |           |           |  |
| 03FECxx1H                   |              | Message data (byte 1)                       |          |          |           |          |          |           |           |  |
| 03FECxx0H                   | COMDATA0m    | Message data (byte 0)                       |          |          |           |          |          |           |           |  |
| 03FECxx1H                   | COMDATA1m    | Message data (byte 1)                       |          |          |           |          |          |           |           |  |
| 03FECxx2H                   | COMDATA23m   | Message data (byte 2)                       |          |          |           |          |          |           |           |  |
| 03FECxx3H                   |              | Message data (byte 3)                       |          |          |           |          |          |           |           |  |
| 03FECxx2H                   | COMDATA2m    | Message data (byte 2)                       |          |          |           |          |          |           |           |  |
| 03FECxx3H                   | COMDATA3m    | Message data (byte 3)                       |          |          |           |          |          |           |           |  |
| 03FECxx4H                   | COMDATA45m   | Message data (byte 4)                       |          |          |           |          |          |           |           |  |
| 03FECxx5H                   |              | Message data (byte 5)                       |          |          |           |          |          |           |           |  |
| 03FECxx4H                   | COMDATA4m    | Message data (byte 4)                       |          |          |           |          |          |           |           |  |
| 03FECxx5H                   | COMDATA5m    | Message data (byte 5)                       |          |          |           |          |          |           |           |  |
| 03FECxx6H                   | COMDATA67m   | Message data (byte 6)                       |          |          |           |          |          |           |           |  |
| 03FECxx7H                   |              | Message data (byte 7)                       |          |          |           |          |          |           |           |  |
| 03FECxx6H                   | COMDATA6m    | Message data (byte 6)                       |          |          |           |          |          |           |           |  |
| 03FECxx7H                   | COMDATA7m    | Message data (byte 7)                       |          |          |           |          |          |           |           |  |
| 03FECxx8H                   | COMDLCm      | 0                                           |          |          |           | MDLC3    | MDLC2    | MDLC1     | MDLC0     |  |
| 03FECxx9H                   | COMCONFm     | OWS                                         | RTR      | MT2      | MT1       | MT0      | 0        | 0         | MA0       |  |
| 03FECxxAH                   | COMIDLm      | ID7                                         | ID6      | ID5      | ID4       | ID3      | ID2      | ID1       | ID0       |  |
| 03FECxxBH                   |              | ID15                                        | ID14     | ID13     | ID12      | ID11     | ID10     | ID9       | ID8       |  |
| 03FECxxCH                   | COMIDHm      | ID23                                        | ID22     | ID21     | ID20      | ID19     | ID18     | ID17      | ID16      |  |
| 03FECxxDH                   |              | IDE                                         | 0        | 0        | ID28      | ID27     | ID26     | ID25      | ID24      |  |
| 03FECxxEH                   | COMCTRLm (W) | 0                                           | 0        | 0        | Clear MOW | Clear IE | Clear DN | Clear TRQ | Clear RDY |  |
| 03FECxxFH                   |              | 0                                           | 0        | 0        | 0         | Set IE   | 0        | Set TRQ   | Set RDY   |  |
| 03FECxxEH                   | COMCTRLm (R) | 0                                           | 0        | 0        | MOW       | IE       | DN       | TRQ       | RDY       |  |
| 03FECxxFH                   |              | 0                                           | 0        | MUC      | 0         | 0        | 0        | 0         | 0         |  |
| 03FECxx0<br>to<br>03FECxxFH | –            | Access prohibited (reserved for future use) |          |          |           |          |          |           |           |  |

**Remark** m = 00 to 31

xx = 10, 12, 14, 16, 18, 1A, 1C, 1E, 20, 22, 24, 26, 28, 2A, 2C, 2E, 30, 32, 34, 36, 38, 3A, 3C, 3E, 40, 42, 44, 46, 48, 4A, 4C, 4E

17.6 Registers

**Caution** Accessing the CAN controller registers is prohibited in the following statuses. For details, refer to 3.4.9 (2) Accessing specific on-chip peripheral I/O registers.

- When the CPU operates with the subclock and the main clock oscillation is stopped
- When the CPU operates with the internal oscillation clock

**Remark** m = 00 to 31

(1) CAN0 global control register (C0GMCTRL)

The C0GMCTRL register is used to control the operation of the CAN module.

(1/2)

After reset: 0000H R/W Address: 03FEC000H

(a) Read

|          |      |    |    |    |    |    |      |     |
|----------|------|----|----|----|----|----|------|-----|
|          | 15   | 14 | 13 | 12 | 11 | 10 | 9    | 8   |
| C0GMCTRL | MBON | 0  | 0  | 0  | 0  | 0  | 0    | 0   |
|          | 7    | 6  | 5  | 4  | 3  | 2  | 1    | 0   |
|          | 0    | 0  | 0  | 0  | 0  | 0  | EFSD | GOM |

(b) Write

|          |    |    |    |    |    |    |             |              |
|----------|----|----|----|----|----|----|-------------|--------------|
|          | 15 | 14 | 13 | 12 | 11 | 10 | 9           | 8            |
| C0GMCTRL | 0  | 0  | 0  | 0  | 0  | 0  | Set<br>EFSD | Set<br>GOM   |
|          | 7  | 6  | 5  | 4  | 3  | 2  | 1           | 0            |
|          | 0  | 0  | 0  | 0  | 0  | 0  | 0           | Clear<br>GOM |

(a) Read

|      |                                                                                                                          |
|------|--------------------------------------------------------------------------------------------------------------------------|
| MBON | Bit enabling access to message buffer register, transmit/receive history registers                                       |
| 0    | Write access and read access to the message buffer register and the transmit/receive history list registers is disabled. |
| 1    | Write access and read access to the message buffer register and the transmit/receive history list registers is enabled.  |

**Cautions**

1. While the MBON bit is cleared (to 0), software access to the message buffers (C0MDATA0m, C0MDATA1m, C0MDATA01m, C0MDATA2m, C0MDATA3m, C0MDATA23m, C0MDATA4m, C0MDATA5m, C0MDATA45m, C0MDATA6m, C0MDATA7m, C0MDATA67m, C0MDLcm, C0MCONFm, C0MIDLm, C0MIDHm, and C0MCTRLm), or registers related to transmit history or receive history (C0LOPT, C0TGPT, C0LIPT, and C0RGPT) is disabled.
2. This bit is read-only. Even if 1 is written to the MBON bit while it is 0, the value of the MBON bit does not change, and access to the message buffer registers, or registers related to transmit history or receive history remains disabled.

**Remark** When the CAN sleep mode/CAN stop mode is entered, or when the GOM bit is cleared to 0, the MBON bit is cleared to 0. When the CAN sleep mode/CAN stop mode is released, or when the GOM bit is set to 1, the MBON bit is set to 1.

| EFSD | Bit enabling forced shut down             |
|------|-------------------------------------------|
| 0    | Forced shut down by GOM bit = 0 disabled. |
| 1    | Forced shut down by GOM bit = 0 enabled.  |

**Caution** To request forced shut down, clear the GOM bit to 0 immediately after the EFSD bit has been set to 1. If access to another register (including reading the C0GMCTRL register) is executed without clearing the GOM bit immediately after the EFSD bit has been set to 1, the EFSD bit is forcibly cleared to 0, and the forced shut down request is invalid.

| GOM | Global operation mode bit              |
|-----|----------------------------------------|
| 0   | CAN module is disabled from operating. |
| 1   | CAN module is enabled to operate.      |

**Caution** The GOM bit is cleared to 0 only in the initialization mode or immediately after the EFSD bit is set to 1.

(b) Write

| Set EFSD | EFSD bit setting       |
|----------|------------------------|
| 0        | No change in EFSD bit. |
| 1        | EFSD bit is set to 1.  |

| Set GOM          | Clear GOM | GOM bit setting          |
|------------------|-----------|--------------------------|
| 0                | 1         | GOM bit is cleared to 0. |
| 1                | 0         | GOM bit is set to 1.     |
| Other than above |           | No change in GOM bit.    |

**Caution** Be sure to set the GOM bit and EFSD bit separately.

**(2) CAN0 global clock selection register (C0GMCS)**

The C0GMCS register is used to select the CAN module system clock.

After reset: 0FH      R/W      Address: 03FEC002H

|        |   |   |   |   |      |      |      |      |
|--------|---|---|---|---|------|------|------|------|
|        | 7 | 6 | 5 | 4 | 3    | 2    | 1    | 0    |
| C0GMCS | 0 | 0 | 0 | 0 | CCP3 | CCP2 | CCP1 | CCP0 |

| CCP3 | CCP2 | CCP1 | CCP1 | CAN module system clock ( $f_{CANMOD}$ ) |
|------|------|------|------|------------------------------------------|
| 0    | 0    | 0    | 0    | $f_{CAN/1}$                              |
| 0    | 0    | 0    | 1    | $f_{CAN/2}$                              |
| 0    | 0    | 1    | 0    | $f_{CAN/3}$                              |
| 0    | 0    | 1    | 1    | $f_{CAN/4}$                              |
| 0    | 1    | 0    | 0    | $f_{CAN/5}$                              |
| 0    | 1    | 0    | 1    | $f_{CAN/6}$                              |
| 0    | 1    | 1    | 0    | $f_{CAN/7}$                              |
| 0    | 1    | 1    | 1    | $f_{CAN/8}$                              |
| 1    | 0    | 0    | 0    | $f_{CAN/9}$                              |
| 1    | 0    | 0    | 1    | $f_{CAN/10}$                             |
| 1    | 0    | 1    | 0    | $f_{CAN/11}$                             |
| 1    | 0    | 1    | 1    | $f_{CAN/12}$                             |
| 1    | 1    | 0    | 0    | $f_{CAN/13}$                             |
| 1    | 1    | 0    | 1    | $f_{CAN/14}$                             |
| 1    | 1    | 1    | 0    | $f_{CAN/15}$                             |
| 1    | 1    | 1    | 1    | $f_{CAN/16}$ (default value)             |

**Remark**  $f_{CAN}$  = Clock supplied to CAN =  $f_{xx}$

**(3) CAN0 global automatic block transmission control register (COGMABT)**

The COGMABT register is used to control the automatic block transmission (ABT) operation.

(1/2)

After reset: 0000H R/W Address: 03FEC006H

(a) Read

|         |    |    |    |    |    |    |        |        |
|---------|----|----|----|----|----|----|--------|--------|
|         | 15 | 14 | 13 | 12 | 11 | 10 | 9      | 8      |
| COGMABT | 0  | 0  | 0  | 0  | 0  | 0  | 0      | 0      |
|         | 7  | 6  | 5  | 4  | 3  | 2  | 1      | 0      |
|         | 0  | 0  | 0  | 0  | 0  | 0  | ABTCLR | ABTTRG |

(a) Write

|         |    |    |    |    |    |    |               |                 |
|---------|----|----|----|----|----|----|---------------|-----------------|
|         | 15 | 14 | 13 | 12 | 11 | 10 | 9             | 8               |
| COGMABT | 0  | 0  | 0  | 0  | 0  | 0  | Set<br>ABTCLR | Set<br>ABTTRG   |
|         | 7  | 6  | 5  | 4  | 3  | 2  | 1             | 0               |
|         | 0  | 0  | 0  | 0  | 0  | 0  | 0             | Clear<br>ABTTRG |

**Caution** Before changing the normal operation mode with ABT to the initialization mode, be sure to set the COGMABT register to the default value (0000H). After setting, confirm that the COGMABT register is initialized to 0000H.

(a) Read

|        |                                                          |
|--------|----------------------------------------------------------|
| ABTCLR | Automatic block transmission engine clear status bit     |
| 0      | Clearing the automatic transmission engine is completed. |
| 1      | The automatic transmission engine is being cleared.      |

- Remarks**
1. Set the ABTCLR bit to 1 while the ABTTRG bit is cleared to 0.  
The operation is not guaranteed if the ABTCLR bit is set to 1 while the ABTTRG bit is set to 1.
  2. When the automatic block transmission engine is cleared by setting the ABTCLR bit to 1, the ABTCLR bit is automatically cleared to 0 as soon as the requested clearing processing is complete.

|        |                                                  |
|--------|--------------------------------------------------|
| ABTTRG | Automatic block transmission status bit          |
| 0      | Automatic block transmission is stopped.         |
| 1      | Automatic block transmission is under execution. |

- Cautions**
1. Do not set the ABTTRG bit to 1 in the initialization mode. If the ABTTRG bit is set to 1 in the initialization mode, the operation is not guaranteed after the CAN module has entered the normal operation mode with ABT.
  2. Do not set the ABTTRG bit to 1 while the C0CTRL.TSTAT bit is set to 1. Directly confirm that the TSTAT bit = 0 before setting the ABTTRG bit to 1.



(b) Write

| Set ABTCLR | Automatic block transmission engine clear request bit                                                                                                                                                                   |
|------------|-------------------------------------------------------------------------------------------------------------------------------------------------------------------------------------------------------------------------|
| 0          | The automatic block transmission engine is in idle status or under operation.                                                                                                                                           |
| 1          | Request to clear the automatic block transmission engine. After the automatic block transmission engine has been cleared, automatic block transmission is started from message buffer 0 by setting the ABTTRG bit to 1. |

| Set ABTTRG       | Clear ABTTRG | Automatic block transmission start bit         |
|------------------|--------------|------------------------------------------------|
| 0                | 1            | Request to stop automatic block transmission.  |
| 1                | 0            | Request to start automatic block transmission. |
| Other than above |              | No change in ABTTRG bit.                       |

**Caution** Even if the ABTTRG bit is set (1), transmission is not immediately executed, depending on the situation such as when a message is received from another node or when a message other than the ABT message (message buffers 8 to 31) is transmitted.

Even if the ABTTRG bit is cleared (0), transmission is not terminated midway. If transmission is under execution, it is continued until completed (regardless of whether transmission is successful or fails).

**(4) CAN0 global automatic block transmission delay setting register (C0GMABTD)**

The C0GMABTD register is used to set the interval at which the data of the message buffer assigned to ABT is to be transmitted in the normal operation mode with ABT.

After reset: 00H      R/W      Address: 03FEC008H

|          |   |   |   |   |       |       |       |       |
|----------|---|---|---|---|-------|-------|-------|-------|
|          | 7 | 6 | 5 | 4 | 3     | 2     | 1     | 0     |
| C0GMABTD | 0 | 0 | 0 | 0 | ABTD3 | ABTD2 | ABTD1 | ABTD0 |

| ABTD3            | ABTD2 | ABTD1 | ABTD0 | Data frame interval during automatic block transmission<br>(Unit: Data bit time (DBT)) |
|------------------|-------|-------|-------|----------------------------------------------------------------------------------------|
| 0                | 0     | 0     | 0     | 0 DBT (default value)                                                                  |
| 0                | 0     | 0     | 1     | $2^5$ DBT                                                                              |
| 0                | 0     | 1     | 0     | $2^6$ DBT                                                                              |
| 0                | 0     | 1     | 1     | $2^7$ DBT                                                                              |
| 0                | 1     | 0     | 0     | $2^8$ DBT                                                                              |
| 0                | 1     | 0     | 1     | $2^9$ DBT                                                                              |
| 0                | 1     | 1     | 0     | $2^{10}$ DBT                                                                           |
| 0                | 1     | 1     | 1     | $2^{11}$ DBT                                                                           |
| 1                | 0     | 0     | 0     | $2^{12}$ DBT                                                                           |
| Other than above |       |       |       | Setting prohibited                                                                     |

- Cautions**
- Do not change the contents of the C0GMABTD register while the ABTTRG bit is set to 1.
  - The timing at which the ABT message is actually transmitted onto the CAN bus differs depending on the status of transmission from the other station or how a request to transmit a message other than an ABT message (message buffers 8 to 31) is made.

**(5) CAN0 module mask control register (C0MASKaL, C0MASKaH) (a = 1, 2, 3, or 4)**

The C0MASKaL and C0MASKaH registers are used to extend the number of receivable messages in the same message buffer by masking part of the identifier (ID) of a message and invalidating the ID comparison of the masked part.

(1/2)

- CAN0 module mask 1 register (C0MASK1L, C0MASK1H)

After reset: Undefined      R/W      Address: C0MASK1L 03FEC040H, C0MASK1H 03FEC042H

|          |        |        |        |        |        |        |        |        |
|----------|--------|--------|--------|--------|--------|--------|--------|--------|
|          | 15     | 14     | 13     | 12     | 11     | 10     | 9      | 8      |
| C0MASK1L | CMID15 | CMID14 | CMID13 | CMID12 | CMID11 | CMID10 | CMID9  | CMID8  |
|          | 7      | 6      | 5      | 4      | 3      | 2      | 1      | 0      |
|          | CMID7  | CMID6  | CMID5  | CMID4  | CMID3  | CMID2  | CMID1  | CMID0  |
|          | 15     | 14     | 13     | 12     | 11     | 10     | 9      | 8      |
| C0MASK1H | 0      | 0      | 0      | CMID28 | CMID27 | CMID26 | CMID25 | CMID24 |
|          | 7      | 6      | 5      | 4      | 3      | 2      | 1      | 0      |
|          | CMID23 | CMID22 | CMID21 | CMID20 | CMID19 | CMID18 | CMID17 | CMID16 |

- CAN0 module mask 2 register (C0MASK2L, C0MASK2H)

After reset: Undefined      R/W      Address: C0MASK2L 03FEC044H, C0MASK2H 03FEC046H

|          |        |        |        |        |        |        |        |        |
|----------|--------|--------|--------|--------|--------|--------|--------|--------|
|          | 15     | 14     | 13     | 12     | 11     | 10     | 9      | 8      |
| C0MASK2L | CMID15 | CMID14 | CMID13 | CMID12 | CMID11 | CMID10 | CMID9  | CMID8  |
|          | 7      | 6      | 5      | 4      | 3      | 2      | 1      | 0      |
|          | CMID7  | CMID6  | CMID5  | CMID4  | CMID3  | CMID2  | CMID1  | CMID0  |
|          | 15     | 14     | 13     | 12     | 11     | 10     | 9      | 8      |
| C0MASK2H | 0      | 0      | 0      | CMID28 | CMID27 | CMID26 | CMID25 | CMID24 |
|          | 7      | 6      | 5      | 4      | 3      | 2      | 1      | 0      |
|          | CMID23 | CMID22 | CMID21 | CMID20 | CMID19 | CMID18 | CMID17 | CMID16 |

• CAN0 module mask 3 register (COMASK3L, COMASK3H)

After reset: Undefined R/W Address: COMASK3L 03FEC048H, COMASK3H 03FEC04AH

|          |        |        |        |        |        |        |        |        |
|----------|--------|--------|--------|--------|--------|--------|--------|--------|
|          | 15     | 14     | 13     | 12     | 11     | 10     | 9      | 8      |
| COMASK3L | CMID15 | CMID14 | CMID13 | CMID12 | CMID11 | CMID10 | CMID9  | CMID8  |
|          | 7      | 6      | 5      | 4      | 3      | 2      | 1      | 0      |
|          | CMID7  | CMID6  | CMID5  | CMID4  | CMID3  | CMID2  | CMID1  | CMID0  |
|          | 15     | 14     | 13     | 12     | 11     | 10     | 9      | 8      |
| COMASK3H | 0      | 0      | 0      | CMID28 | CMID27 | CMID26 | CMID25 | CMID24 |
|          | 7      | 6      | 5      | 4      | 3      | 2      | 1      | 0      |
|          | CMID23 | CMID22 | CMID21 | CMID20 | CMID19 | CMID18 | CMID17 | CMID16 |

• CAN0 module mask 4 register (COMASK4L, COMASK4H)

After reset: Undefined R/W Address: COMASK4L 03FEC04CH, COMASK4H 03FEC04EH

|          |        |        |        |        |        |        |        |        |
|----------|--------|--------|--------|--------|--------|--------|--------|--------|
|          | 15     | 14     | 13     | 12     | 11     | 10     | 9      | 8      |
| COMASK4L | CMID15 | CMID14 | CMID13 | CMID12 | CMID11 | CMID10 | CMID9  | CMID8  |
|          | 7      | 6      | 5      | 4      | 3      | 2      | 1      | 0      |
|          | CMID7  | CMID6  | CMID5  | CMID4  | CMID3  | CMID2  | CMID1  | CMID0  |
|          | 15     | 14     | 13     | 12     | 11     | 10     | 9      | 8      |
| COMASK4H | 0      | 0      | 0      | CMID28 | CMID27 | CMID26 | CMID25 | CMID24 |
|          | 7      | 6      | 5      | 4      | 3      | 2      | 1      | 0      |
|          | CMID23 | CMID22 | CMID21 | CMID20 | CMID19 | CMID18 | CMID17 | CMID16 |

|                 |                                                                                                                                                      |
|-----------------|------------------------------------------------------------------------------------------------------------------------------------------------------|
| CMID28 to CMID0 | Mask pattern setting of ID bit                                                                                                                       |
| 0               | The ID bits of the message buffer set by the CMID28 to CMID0 bits are compared with the ID bits of the received message frame.                       |
| 1               | The ID bits of the message buffer set by the CMID28 to CMID0 bits are not compared with the ID bits of the received message frame (they are masked). |

**Remark** Masking is always defined by an ID length of 29 bits. If a mask is assigned to a message with a standard ID, the CMID17 to CMID0 bits are ignored. Therefore, only the CMID28 to CMID18 bits of the received ID are masked. The same mask can be used for both the standard and extended IDs.

**(6) CAN0 module control register (C0CTRL)**

The C0CTRL register is used to control the operation mode of the CAN module.

(1/4)

After reset: 0000H R/W Address: 03FEC050H

(a) Read

|        |       |    |       |        |        |        |        |        |
|--------|-------|----|-------|--------|--------|--------|--------|--------|
|        | 15    | 14 | 13    | 12     | 11     | 10     | 9      | 8      |
| C0CTRL | 0     | 0  | 0     | 0      | 0      | 0      | RSTAT  | TSTAT  |
|        | 7     | 6  | 5     | 4      | 3      | 2      | 1      | 0      |
|        | CCERC | AL | VALID | PSMODE | PSMODE | OPMODE | OPMODE | OPMODE |
|        |       |    |       | 1      | 0      | 2      | 1      | 0      |

(a) Write

|        |              |             |                |                 |                 |                 |                 |                 |
|--------|--------------|-------------|----------------|-----------------|-----------------|-----------------|-----------------|-----------------|
|        | 15           | 14          | 13             | 12              | 11              | 10              | 9               | 8               |
| C0CTRL | Set<br>CCERC | Set<br>AL   | 0              | Set<br>PSMODE   | Set<br>PSMODE   | Set<br>OPMODE   | Set<br>OPMODE   | Set<br>OPMODE   |
|        |              |             |                | 1               | 0               | 2               | 1               | 0               |
|        | 7            | 6           | 5              | 4               | 3               | 2               | 1               | 0               |
|        | 0            | Clear<br>AL | Clear<br>VALID | Clear<br>PSMODE | Clear<br>PSMODE | Clear<br>OPMODE | Clear<br>OPMODE | Clear<br>OPMODE |
|        |              |             |                | 1               | 0               | 2               | 1               | 0               |

(a) Read

|       |                           |
|-------|---------------------------|
| RSTAT | Reception status bit      |
| 0     | Reception is stopped.     |
| 1     | Reception is in progress. |

- Remark**
- The RSTAT bit is set to 1 under the following conditions (timing)
    - The SOF bit of a receive frame is detected
    - On occurrence of arbitration loss during a transmit frame
  - The RSTAT bit is cleared to 0 under the following conditions (timing)
    - When a recessive level is detected at the second bit of the interframe space
    - On transition to the initialization mode at the first bit of the interframe space

| TSTAT | Transmission status bit      |
|-------|------------------------------|
| 0     | Transmission is stopped.     |
| 1     | Transmission is in progress. |

- Remark**
- The TSTAT bit is set to 1 under the following conditions (timing)
    - The SOF bit of a transmit frame is detected
  - The TSTAT bit is cleared to 0 under the following conditions (timing)
    - During transition to bus-off status
    - On occurrence of arbitration loss in transmit frame
    - On detection of recessive level at the second bit of the interframe space
    - On transition to the initialization mode at the first bit of the interframe space

| CCERC | Error counter clear bit                                                    |
|-------|----------------------------------------------------------------------------|
| 0     | The C0ERC and C0INFO registers are not cleared in the initialization mode. |
| 1     | The C0ERC and C0INFO registers are cleared in the initialization mode.     |

- Remarks**
1. The CCERC bit is used to clear the C0ERC and C0INFO registers for re-initialization or forced recovery from the bus-off status. This bit can be set to 1 only in the initialization mode.
  2. When the C0ERC and C0INFO registers have been cleared, the CCERC bit is also cleared to 0 automatically.
  3. The CCERC bit can be set to 1 at the same time as a request to change the initialization mode to an operation mode is made.
  4. If the CCERC bit is set to 1 immediately after the INIT mode is entered in the self test mode, the receive data may be corrupted.

| AL | Bit to set operation in case of arbitration loss                                        |
|----|-----------------------------------------------------------------------------------------|
| 0  | Re-transmission is not executed in case of an arbitration loss in the single-shot mode. |
| 1  | Re-transmission is executed in case of an arbitration loss in the single-shot mode.     |

**Remark** The AL bit is valid only in the single-shot mode.

| VALID | Valid receive message frame detection bit                                              |
|-------|----------------------------------------------------------------------------------------|
| 0     | A valid message frame has not been received since the VALID bit was last cleared to 0. |
| 1     | A valid message frame has been received since the VALID bit was last cleared to 0.     |

- Remarks**
1. Detection of a valid receive message frame is not dependent upon storage in the receive message buffer (data frame) or transmit message buffer (remote frame).
  2. Clear the VALID bit (0) before changing the initialization mode to an operation mode.
  3. If only two CAN nodes are connected to the CAN bus with one transmitting a message frame in the normal mode and the other in the receive-only mode, since no ACK is generated in the receive-only mode, the VALID bit is not set to 1 before the transmitting node enters the error passive status.
  4. To clear the VALID bit, set the Clear VALID bit to 1 first and confirm that the VALID bit is cleared. If it is not cleared, perform clearing processing again.

| PSMODE1 | PSMODE0 | Power save mode                 |
|---------|---------|---------------------------------|
| 0       | 0       | No power save mode is selected. |
| 0       | 1       | CAN sleep mode                  |
| 1       | 0       | Setting prohibited              |
| 1       | 1       | CAN stop mode                   |

- Cautions**
1. **Transition to and from the CAN stop mode must be made via CAN sleep mode. A request for direct transition to and from the CAN stop mode is ignored.**
  2. **After releasing the power save mode, the COGMCTRL.MBON flag must be checked before accessing the message buffer again.**
  3. **A request for transition to the CAN sleep mode is held pending until it is canceled by software or until the CAN bus enters the bus idle state. The software can check transition to the CAN sleep mode by reading the PSMODE0 and PSMODE1 bits.**

| OPMODE2          | OPMODE1 | OPMODE0 | Operation mode                                                                                    |
|------------------|---------|---------|---------------------------------------------------------------------------------------------------|
| 0                | 0       | 0       | No operation mode is selected (CAN module is in the initialization mode).                         |
| 0                | 0       | 1       | Normal operation mode                                                                             |
| 0                | 1       | 0       | Normal operation mode with automatic block transmission function (normal operation mode with ABT) |
| 0                | 1       | 1       | Receive-only mode                                                                                 |
| 1                | 0       | 0       | Single-shot mode                                                                                  |
| 1                | 0       | 1       | Self-test mode                                                                                    |
| Other than above |         |         | Setting prohibited                                                                                |

**Caution** It may take time to change the mode to the initialization mode or power save mode. Therefore, be sure to check if the mode has been successfully changed, by reading the register value before executing the processing.

**Remark** The OPMODE0 to OPMODE2 bits are read-only in the CAN sleep mode or CAN stop mode.

(b) Write

| Set CCERC        | Setting of CCERC bit      |
|------------------|---------------------------|
| 1                | CCERC bit is set to 1.    |
| Other than above | CCERC bit is not changed. |

| Set AL           | Clear AL | Setting of AL bit       |
|------------------|----------|-------------------------|
| 0                | 1        | AL bit is cleared to 0. |
| 1                | 0        | AL bit is set to 1.     |
| Other than above |          | AL bit is not changed.  |

| Clear VALID | Setting of VALID bit       |
|-------------|----------------------------|
| 0           | VALID bit is not changed.  |
| 1           | VALID bit is cleared to 0. |

| Set PSMODE0      | Clear PSMODE0 | Setting of PSMODE0 bit       |
|------------------|---------------|------------------------------|
| 0                | 1             | PSMODE0 bit is cleared to 0. |
| 1                | 0             | PSMODE bit is set to 1.      |
| Other than above |               | PSMODE0 bit is not changed.  |

| Set PSMODE1      | Clear PSMODE1 | Setting of PSMODE1 bit       |
|------------------|---------------|------------------------------|
| 0                | 1             | PSMODE1 bit is cleared to 0. |
| 1                | 0             | PSMODE1 bit is set to 1.     |
| Other than above |               | PSMODE1 bit is not changed.  |

| Set OPMODE0      | Clear OPMODE0 | Setting of OPMODE0 bit       |
|------------------|---------------|------------------------------|
| 0                | 1             | OPMODE0 bit is cleared to 0. |
| 1                | 0             | OPMODE0 bit is set to 1.     |
| Other than above |               | OPMODE0 bit is not changed.  |

| Set OPMODE1      | Clear OPMODE1 | Setting of OPMODE1 bit       |
|------------------|---------------|------------------------------|
| 0                | 1             | OPMODE1 bit is cleared to 0. |
| 1                | 0             | OPMODE1 bit is set to 1.     |
| Other than above |               | OPMODE1 bit is not changed.  |

| Set OPMODE2      | Clear OPMODE2 | Setting of OPMODE2 bit       |
|------------------|---------------|------------------------------|
| 0                | 1             | OPMODE2 bit is cleared to 0. |
| 1                | 0             | OPMODE2 bit is set to 1.     |
| Other than above |               | OPMODE2 bit is not changed.  |



**(7) CAN0 module last error information register (C0LEC)**

The C0LEC register provides the error information of the CAN protocol.

After reset: 00H      R/W      Address: 03FEC052H

|       |   |   |   |   |   |      |      |      |
|-------|---|---|---|---|---|------|------|------|
|       | 7 | 6 | 5 | 4 | 3 | 2    | 1    | 0    |
| C0LEC | 0 | 0 | 0 | 0 | 0 | LEC2 | LEC1 | LEC0 |

- Remarks**
1. The contents of the C0LEC register are not cleared when the CAN module changes from an operation mode to the initialization mode.
  2. If an attempt is made to write a value other than 00H to the C0LEC register by software, the access is ignored.

| LEC2 | LEC1 | LEC0 | Last CAN protocol error information                                                                                                                                                               |
|------|------|------|---------------------------------------------------------------------------------------------------------------------------------------------------------------------------------------------------|
| 0    | 0    | 0    | No error                                                                                                                                                                                          |
| 0    | 0    | 1    | Stuff error                                                                                                                                                                                       |
| 0    | 1    | 0    | Form error                                                                                                                                                                                        |
| 0    | 1    | 1    | ACK error                                                                                                                                                                                         |
| 1    | 0    | 0    | Bit error. (The CAN module tried to transmit a recessive-level bit as part of a transmit message (except the arbitration field), but the value on the CAN bus is a dominant-level bit.)           |
| 1    | 0    | 1    | Bit error. (The CAN module tried to transmit a dominant-level bit as part of a transmit message, ACK bit, error frame, or overload frame, but the value on the CAN bus is a recessive-level bit.) |
| 1    | 1    | 0    | CRC error                                                                                                                                                                                         |
| 1    | 1    | 1    | Undefined                                                                                                                                                                                         |

**(8) CAN0 module information register (C0INFO)**

The C0INFO register indicates the status of the CAN module.

After reset: 00H      R      Address: 03FEC053H

|        |   |   |   |      |       |       |       |       |
|--------|---|---|---|------|-------|-------|-------|-------|
|        | 7 | 6 | 5 | 4    | 3     | 2     | 1     | 0     |
| C0INFO | 0 | 0 | 0 | BOFF | TECS1 | TECS0 | RECS1 | RECS0 |

| BOFF | Bus-off status bit                                                                                             |
|------|----------------------------------------------------------------------------------------------------------------|
| 0    | Not bus-off status (transmit error counter $\leq 255$ ). (The value of the transmit counter is less than 256.) |
| 1    | Bus-off status (transmit error counter $> 255$ ). (The value of the transmit error counter is 256 or more.)    |

| TECS1 | TECS0 | Transmission error counter status bit                                                                              |
|-------|-------|--------------------------------------------------------------------------------------------------------------------|
| 0     | 0     | The value of the transmission error counter is less than that of the warning level ( $< 96$ ).                     |
| 0     | 1     | The value of the transmission error counter is in the range of the warning level (96 to 127).                      |
| 1     | 0     | Undefined                                                                                                          |
| 1     | 1     | The value of the transmission error counter is in the range of the error passive or bus-off status ( $\geq 128$ ). |

| RECS1 | RECS0 | Reception error counter status bit                                                          |
|-------|-------|---------------------------------------------------------------------------------------------|
| 0     | 0     | The value of the reception error counter is less than that of the warning level ( $< 96$ ). |
| 0     | 1     | The value of the reception error counter is in the range of the warning level (96 to 127).  |
| 1     | 0     | Undefined                                                                                   |
| 1     | 1     | The value of the reception error counter is in the error passive range ( $\geq 128$ ).      |

**(9) CAN0 module error counter register (C0ERC)**

The C0ERC register indicates the count value of the transmission/reception error counter.

After reset: 0000H R Address: 03FEC054H

|       |      |      |      |      |      |      |      |      |
|-------|------|------|------|------|------|------|------|------|
|       | 15   | 14   | 13   | 12   | 11   | 10   | 9    | 8    |
| C0ERC | REPS | REC6 | REC5 | REC4 | REC3 | REC2 | REC1 | REC0 |
|       | 7    | 6    | 5    | 4    | 3    | 2    | 1    | 0    |
|       | TEC7 | TEC6 | TEC5 | TEC4 | TEC3 | TEC2 | TEC1 | TEC0 |

|      |                                                                                       |
|------|---------------------------------------------------------------------------------------|
| REPS | Reception error passive status bit                                                    |
| 0    | The value of the reception error counter is not error passive (< 128)                 |
| 1    | The value of the reception error counter is in the error passive range ( $\geq 128$ ) |

|              |                                                                                                                                                |
|--------------|------------------------------------------------------------------------------------------------------------------------------------------------|
| REC6 to REC0 | Reception error counter bit                                                                                                                    |
| 0 to 127     | Number of reception errors. These bits reflect the status of the reception error counter. The number of errors is defined by the CAN protocol. |

**Remark** The REC6 to REC0 bits of the reception error counter are invalid in the reception error passive status (C0INFO.RECS1, C0INFO.RECS0 bit = 11B).

|              |                                                                                                                                                      |
|--------------|------------------------------------------------------------------------------------------------------------------------------------------------------|
| TEC7 to TEC0 | Transmission error counter bit                                                                                                                       |
| 0 to 255     | Number of transmission errors. These bits reflect the status of the transmission error counter. The number of errors is defined by the CAN protocol. |

**Remark** The TEC7 to TEC0 bits of the transmission error counter are invalid in the bus-off status (C0INFO.BOFF bit = 1).

**(10) CAN0 module interrupt enable register (C0IE)**

The C0IE register is used to enable or disable the interrupts of the CAN module.

(1/2)

After reset: 0000H R/W Address: 03FEC056H

(a) Read

|      |    |    |      |      |      |      |      |      |
|------|----|----|------|------|------|------|------|------|
|      | 15 | 14 | 13   | 12   | 11   | 10   | 9    | 8    |
| C0IE | 0  | 0  | 0    | 0    | 0    | 0    | 0    | 0    |
|      | 7  | 6  | 5    | 4    | 3    | 2    | 1    | 0    |
|      | 0  | 0  | CIE5 | CIE4 | CIE3 | CIE2 | CIE1 | CIE0 |

(b) Write

|      |    |    |               |               |               |               |               |               |
|------|----|----|---------------|---------------|---------------|---------------|---------------|---------------|
|      | 15 | 14 | 13            | 12            | 11            | 10            | 9             | 8             |
| C0IE | 0  | 0  | Set<br>CIE5   | Set<br>CIE4   | Set<br>CIE3   | Set<br>CIE2   | Set<br>CIE1   | Set<br>CIE0   |
|      | 7  | 6  | 5             | 4             | 3             | 2             | 1             | 0             |
|      | 0  | 0  | Clear<br>CIE5 | Clear<br>CIE4 | Clear<br>CIE3 | Clear<br>CIE2 | Clear<br>CIE1 | Clear<br>CIE0 |

(a) Read

|              |                                                                                        |
|--------------|----------------------------------------------------------------------------------------|
| CIE5 to CIE0 | CAN module interrupt enable bit                                                        |
| 0            | Output of the interrupt corresponding to interrupt status register CINTSx is disabled. |
| 1            | Output of the interrupt corresponding to interrupt status register CINTSx is enabled.  |

(b) Write

| Set CIE5         | Clear CIE5 | Setting of CIE5 bit       |
|------------------|------------|---------------------------|
| 0                | 1          | CIE5 bit is cleared to 0. |
| 1                | 0          | CIE5 bit is set to 1.     |
| Other than above |            | CIE5 bit is not changed.  |

| Set CIE4         | Clear CIE4 | Setting of CIE4 bit       |
|------------------|------------|---------------------------|
| 0                | 1          | CIE4 bit is cleared to 0. |
| 1                | 0          | CIE4 bit is set to 1.     |
| Other than above |            | CIE4 bit is not changed.  |

| Set CIE3         | Clear CIE3 | Setting of CIE3 bit       |
|------------------|------------|---------------------------|
| 0                | 1          | CIE3 bit is cleared to 0. |
| 1                | 0          | CIE3 bit is set to 1.     |
| Other than above |            | CIE3 bit is not changed.  |

| Set CIE2         | Clear CIE2 | Setting of CIE2 bit       |
|------------------|------------|---------------------------|
| 0                | 1          | CIE2 bit is cleared to 0. |
| 1                | 0          | CIE2 bit is set to 1.     |
| Other than above |            | CIE2 bit is not changed.  |

| Set CIE1         | Clear CIE1 | Setting of CIE1 bit       |
|------------------|------------|---------------------------|
| 0                | 1          | CIE1 bit is cleared to 0. |
| 1                | 0          | CIE1 bit is set to 1.     |
| Other than above |            | CIE1 bit is not changed.  |

| Set CIE0         | Clear CIE0 | Setting of CIE0 bit       |
|------------------|------------|---------------------------|
| 0                | 1          | CIE0 bit is cleared to 0. |
| 1                | 0          | CIE0 bit is set to 1.     |
| Other than above |            | CIE0 bit is not changed.  |

**(11) CAN0 module interrupt status register (C0INTS)**

The C0INTS register indicates the interrupt status of the CAN module.

After reset: 0000H R/W Address: 03FEC058H

(a) Read

|        |    |    |        |        |        |        |        |        |
|--------|----|----|--------|--------|--------|--------|--------|--------|
|        | 15 | 14 | 13     | 12     | 11     | 10     | 9      | 8      |
| C0INTS | 0  | 0  | 0      | 0      | 0      | 0      | 0      | 0      |
|        | 7  | 6  | 5      | 4      | 3      | 2      | 1      | 0      |
|        | 0  | 0  | CINTS5 | CINTS4 | CINTS3 | CINTS2 | CINTS1 | CINTS0 |

(b) Write

|        |    |    |                 |                 |                 |                 |                 |                 |
|--------|----|----|-----------------|-----------------|-----------------|-----------------|-----------------|-----------------|
|        | 15 | 14 | 13              | 12              | 11              | 10              | 9               | 8               |
| C0INTS | 0  | 0  | 0               | 0               | 0               | 0               | 0               | 0               |
|        | 7  | 6  | 5               | 4               | 3               | 2               | 1               | 0               |
|        | 0  | 0  | Clear<br>CINTS5 | Clear<br>CINTS4 | Clear<br>CINTS3 | Clear<br>CINTS2 | Clear<br>CINTS1 | Clear<br>CINTS0 |

(a) Read

|                  |                                                 |
|------------------|-------------------------------------------------|
| CINTS5 to CINTS0 | CAN interrupt status bit                        |
| 0                | No related interrupt source event is generated. |
| 1                | A related interrupt source event is generated.  |

|                      |                                                                                       |
|----------------------|---------------------------------------------------------------------------------------|
| Interrupt status bit | Related interrupt source event                                                        |
| CINTS5               | Wakeup interrupt from CAN sleep mode <sup>Note</sup>                                  |
| CINTS4               | Arbitration loss interrupt                                                            |
| CINTS3               | CAN protocol error interrupt                                                          |
| CINTS2               | CAN error status interrupt                                                            |
| CINTS1               | Interrupt on completion of reception of valid message frame to message buffer m       |
| CINTS0               | Interrupt on normal completion of transmission of message frame from message buffer m |

**Note** The CINTS5 bit is set (1) only when the CAN module is woken up from the CAN sleep mode by a CAN bus operation. The CINTS5 bit is not set (1) when the CAN sleep mode has been released by software.

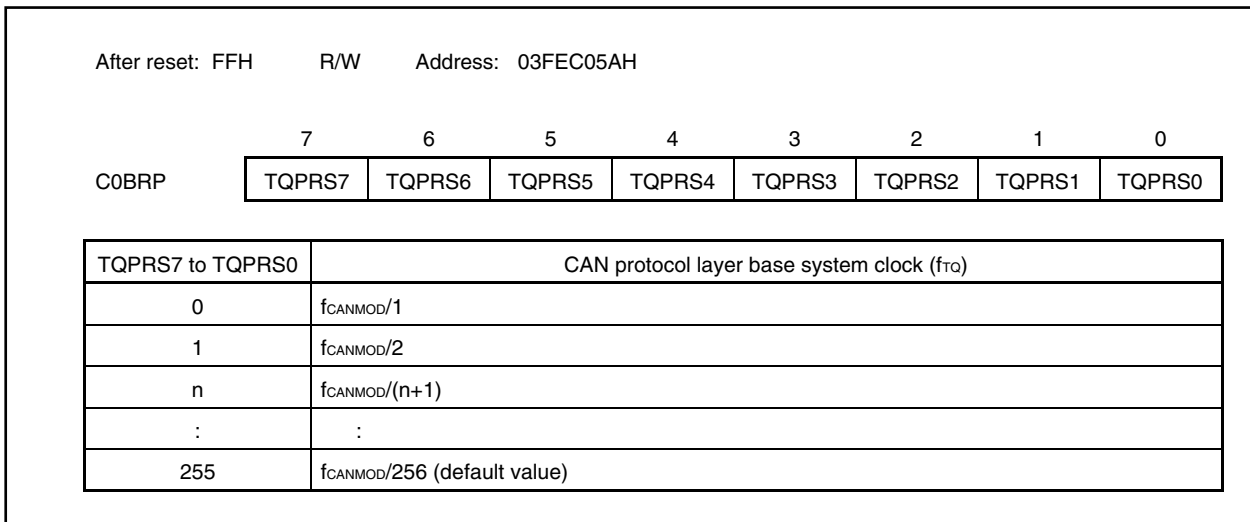
(b) Write

|                           |                                         |
|---------------------------|-----------------------------------------|
| Clear<br>CINTS5 to CINTS0 | Setting of CINTS5 to CINTS0 bits        |
| 0                         | CINTS5 to CINTS0 bits are not changed.  |
| 1                         | CINTS5 to CINTS0 bits are cleared to 0. |

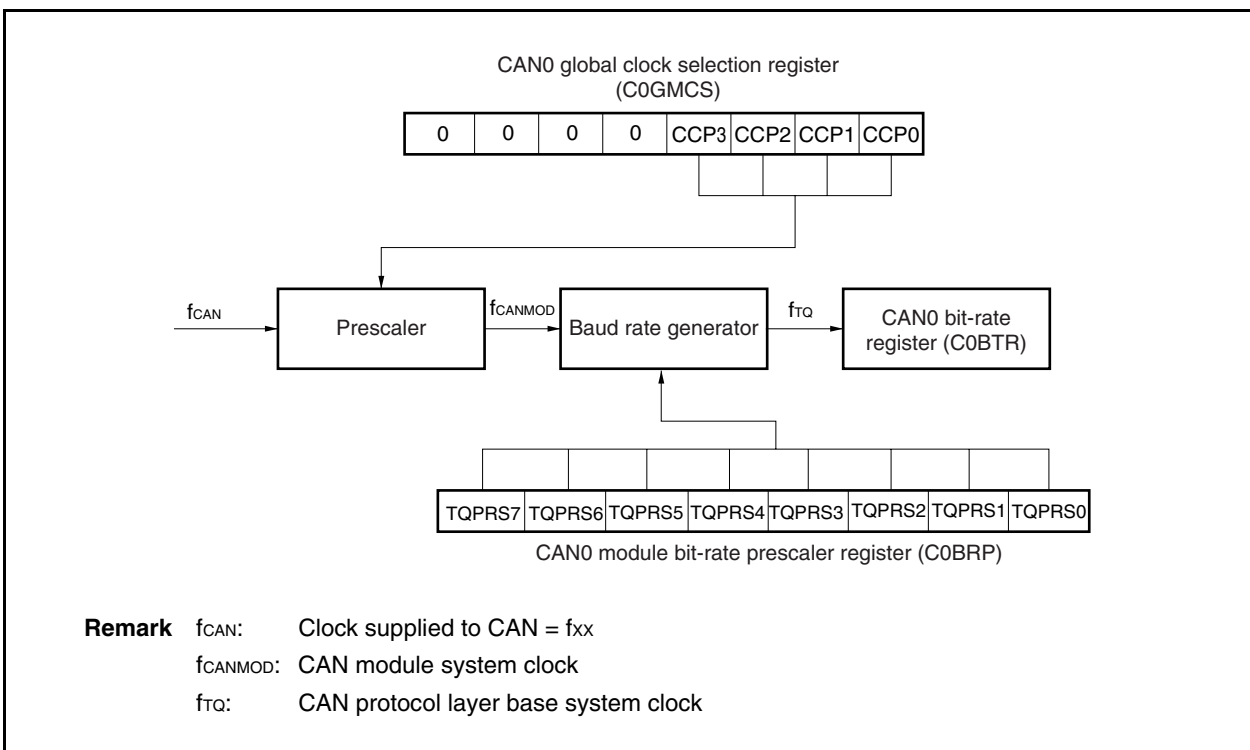
**Caution** The status bit of this register is not automatically cleared. Clear (0) it by software if each status must be checked in the interrupt servicing.

**(12) CAN0 module bit rate prescaler register (C0BRP)**

The C0BRP register is used to select the CAN protocol layer base clock ( $f_{TQ}$ ). The communication baud rate is set to the C0BTR register.



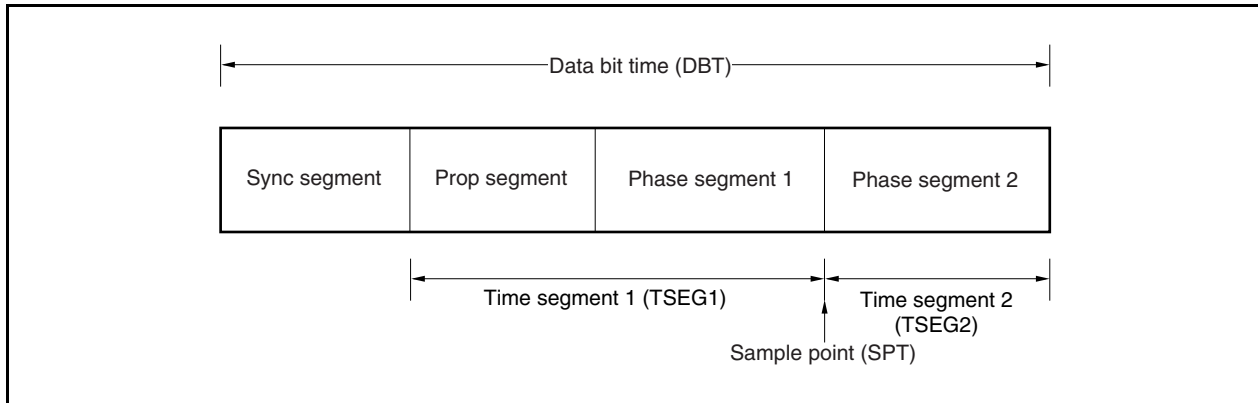
**Figure 17-23. CAN Module Clock**



**Caution** The C0BRP register can be write-accessed only in the initialization mode.

**(13) CAN0 module bit rate register (C0BTR)**

The C0BTR register is used to control the data bit time of the communication baud rate.

**Figure 17-24. Data Bit Time**



After reset: 370FH R/W Address: 03FEC05CH

|       |    |    |      |      |        |        |        |        |
|-------|----|----|------|------|--------|--------|--------|--------|
|       | 15 | 14 | 13   | 12   | 11     | 10     | 9      | 8      |
| C0BTR | 0  | 0  | SJW1 | SJW0 | 0      | TSEG22 | TSEG21 | TSEG20 |
|       | 7  | 6  | 5    | 4    | 3      | 2      | 1      | 0      |
|       | 0  | 0  | 0    | 0    | TSEG13 | TSEG12 | TSEG11 | TSEG10 |

| SJW1 | SJW0 | Length of synchronization jump width |
|------|------|--------------------------------------|
| 0    | 0    | 1TQ                                  |
| 0    | 1    | 2TQ                                  |
| 1    | 0    | 3TQ                                  |
| 1    | 1    | 4TQ (default value)                  |

| TSEG22 | TSEG21 | TSEG20 | Length of time segment 2 |
|--------|--------|--------|--------------------------|
| 0      | 0      | 0      | 1TQ                      |
| 0      | 0      | 1      | 2TQ                      |
| 0      | 1      | 0      | 3TQ                      |
| 0      | 1      | 1      | 4TQ                      |
| 1      | 0      | 0      | 5TQ                      |
| 1      | 0      | 1      | 6TQ                      |
| 1      | 1      | 0      | 7TQ                      |
| 1      | 1      | 1      | 8TQ (default value)      |

| TSEG13 | TSEG12 | TSEG11 | TSEG10 | Length of time segment 1 |
|--------|--------|--------|--------|--------------------------|
| 0      | 0      | 0      | 0      | Setting prohibited       |
| 0      | 0      | 0      | 1      | 2TQ <sup>Note</sup>      |
| 0      | 0      | 1      | 0      | 3TQ <sup>Note</sup>      |
| 0      | 0      | 1      | 1      | 4TQ                      |
| 0      | 1      | 0      | 0      | 5TQ                      |
| 0      | 1      | 0      | 1      | 6TQ                      |
| 0      | 1      | 1      | 0      | 7TQ                      |
| 0      | 1      | 1      | 1      | 8TQ                      |
| 1      | 0      | 0      | 0      | 9TQ                      |
| 1      | 0      | 0      | 1      | 10TQ                     |
| 1      | 0      | 1      | 0      | 11TQ                     |
| 1      | 0      | 1      | 1      | 12TQ                     |
| 1      | 1      | 0      | 0      | 13TQ                     |
| 1      | 1      | 0      | 1      | 14TQ                     |
| 1      | 1      | 1      | 0      | 15TQ                     |
| 1      | 1      | 1      | 1      | 16TQ (default value)     |

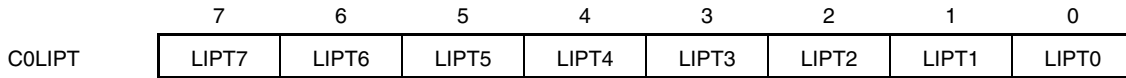
**Note** This setting must not be made when the C0BRP register = 00H.

**Remark** TQ = 1/f<sub>trq</sub> (f<sub>trq</sub>: CAN protocol layer base system clock)

**(14) CAN0 module last in-pointer register (COLIPT)**

The COLIPT register indicates the number of the message buffer in which a data frame or a remote frame was last stored.

After reset: Undefined    R    Address: 03FEC05EH



|                |                                                                                                                                                                                                                                                             |
|----------------|-------------------------------------------------------------------------------------------------------------------------------------------------------------------------------------------------------------------------------------------------------------|
| LIPT7 to LIPT0 | Last in-pointer register (COLIPT)                                                                                                                                                                                                                           |
| 0 to 31        | When the COLIPT register is read, the contents of the element indexed by the last in-pointer (LIPT) of the receive history list are read. These contents indicate the number of the message buffer in which a data frame or a remote frame was last stored. |

**Remark** The read value of the COLIPT register is undefined if a data frame or a remote frame has never been stored in the message buffer. If the C0RGPT.RHPM bit is set to 1 after the CAN module has changed from the initialization mode to an operation mode, therefore, the read value of the COLIPT register is undefined.

**(15) CAN0 module receive history list register (C0RGPT)**

The C0RGPT register is used to read the receive history list.

(1/2)

After reset: xx02H R/W Address: 03FEC060H

(a) Read

|        |       |       |       |       |       |       |       |       |
|--------|-------|-------|-------|-------|-------|-------|-------|-------|
|        | 15    | 14    | 13    | 12    | 11    | 10    | 9     | 8     |
| C0RGPT | RGPT7 | RGPT6 | RGPT5 | RGPT4 | RGPT3 | RGPT2 | RGPT1 | RGPT0 |
|        | 7     | 6     | 5     | 4     | 3     | 2     | 1     | 0     |
|        | 0     | 0     | 0     | 0     | 0     | 0     | RHPM  | ROVF  |

(b) Write

|        |    |    |    |    |    |    |   |               |
|--------|----|----|----|----|----|----|---|---------------|
|        | 15 | 14 | 13 | 12 | 11 | 10 | 9 | 8             |
| C0RGPT | 0  | 0  | 0  | 0  | 0  | 0  | 0 | 0             |
|        | 7  | 6  | 5  | 4  | 3  | 2  | 1 | 0             |
|        | 0  | 0  | 0  | 0  | 0  | 0  | 0 | Clear<br>ROVF |

(a) Read

|                |                                                                                                                                                                                                                                                                              |
|----------------|------------------------------------------------------------------------------------------------------------------------------------------------------------------------------------------------------------------------------------------------------------------------------|
| RGPT7 to RGPT0 | Receive history list read pointer                                                                                                                                                                                                                                            |
| 0 to 31        | When the C0RGPT register is read, the contents of the element indexed by the receive history list get pointer (RGPT) of the receive history list are read. These contents indicate the number of the message buffer in which a data frame or a remote frame has been stored. |

|                        |                                                                                         |
|------------------------|-----------------------------------------------------------------------------------------|
| RHPM <sup>Note 1</sup> | Receive history list pointer match                                                      |
| 0                      | The receive history list has at least one message buffer number that has not been read. |
| 1                      | The receive history list has no message buffer numbers that have not been read.         |

|                        |                                                                                                                                                                                                                                                                                                                                                                                                                                                    |
|------------------------|----------------------------------------------------------------------------------------------------------------------------------------------------------------------------------------------------------------------------------------------------------------------------------------------------------------------------------------------------------------------------------------------------------------------------------------------------|
| ROVF <sup>Note 2</sup> | Receive history list overflow bit                                                                                                                                                                                                                                                                                                                                                                                                                  |
| 0                      | All the message buffer numbers that have not been read are preserved. All the numbers of the message buffers in which a new data frame or remote frame has been received and stored are recorded to the receive history list (the receive history list has a vacant element).                                                                                                                                                                      |
| 1                      | At least 23 entries have been stored since the host processor serviced the RHL last time (i.e. read C0RGPT). The first 22 entries are sequentially stored whereas the last entry might have been overwritten by newly received messages a number of times because all buffer numbers are stored at position LIPT-1 when the ROVF bit is set to 1. As a consequence receptions cannot be completely recovered in the order that they were received. |

- Notes**
- The read value of the RGPT0 to RGPT7 bits is invalid when the RHPM bit = 1.
  - If all the receive history is read by the C0RGPT register while the ROVF bit is set (1), the RHPM bit is not cleared (0) but kept set (1) even if newly received data is stored.

(b) Write

| Clear ROVF | Setting of ROVF bit       |
|------------|---------------------------|
| 0          | ROVF bit is not changed.  |
| 1          | ROVF bit is cleared to 0. |

**(16) CAN0 module last out-pointer register (C0LOPT)**

The C0LOPT register indicates the number of the message buffer to which a data frame or a remote frame was transmitted last.

After reset: Undefined    R    Address: 03FEC062H

|        |       |       |       |       |       |       |       |       |
|--------|-------|-------|-------|-------|-------|-------|-------|-------|
|        | 7     | 6     | 5     | 4     | 3     | 2     | 1     | 0     |
| C0LOPT | LOPT7 | LOPT6 | LOPT5 | LOPT4 | LOPT3 | LOPT2 | LOPT1 | LOPT0 |

| LOPT7 to LOPT0 | Last out-pointer of transmit history list (LOPT)                                                                                                                                                                                                                  |
|----------------|-------------------------------------------------------------------------------------------------------------------------------------------------------------------------------------------------------------------------------------------------------------------|
| 0 to 31        | When the C0LOPT register is read, the contents of the element indexed by the last out-pointer (LOPT) of the receive history list are read. These contents indicate the number of the message buffer to which a data frame or a remote frame was transmitted last. |

**Remark** The value read from the C0LOPT register is undefined if a data frame or remote frame has never been transmitted from a message buffer. If the C0TGPT.THPM bit is set to 1 after the CAN module has changed from the initialization mode to an operation mode, therefore, the read value of the C0LOPT register is undefined.

**(17) CAN0 module transmit history list register (C0TGPT)**

The C0TGPT register is used to read the transmit history list.

(1/2)

After reset: xx02H R/W Address: 03FEC064H

(a) Read

|        |       |       |       |       |       |       |       |       |
|--------|-------|-------|-------|-------|-------|-------|-------|-------|
|        | 15    | 14    | 13    | 12    | 11    | 10    | 9     | 8     |
| C0TGPT | TGPT7 | TGPT6 | TGPT5 | TGPT4 | TGPT3 | TGPT2 | TGPT1 | TGPT0 |
|        | 7     | 6     | 5     | 4     | 3     | 2     | 1     | 0     |
|        | 0     | 0     | 0     | 0     | 0     | 0     | THPM  | TOVF  |

(b) Write

|        |    |    |    |    |    |    |   |            |
|--------|----|----|----|----|----|----|---|------------|
|        | 15 | 14 | 13 | 12 | 11 | 10 | 9 | 8          |
| C0TGPT | 0  | 0  | 0  | 0  | 0  | 0  | 0 | 0          |
|        | 7  | 6  | 5  | 4  | 3  | 2  | 1 | 0          |
|        | 0  | 0  | 0  | 0  | 0  | 0  | 0 | Clear TOVF |

(a) Read

|                |                                                                                                                                                                                                                                                                |
|----------------|----------------------------------------------------------------------------------------------------------------------------------------------------------------------------------------------------------------------------------------------------------------|
| TGPT7 to TGPT0 | Transmit history list read pointer                                                                                                                                                                                                                             |
| 0 to 31        | When the C0TGPT register is read, the contents of the element indexed by the read pointer (TGPT) of the transmit history list are read. These contents indicate the number of the message buffer to which a data frame or a remote frame was transmitted last. |

|                        |                                                                                          |
|------------------------|------------------------------------------------------------------------------------------|
| THPM <sup>Note 1</sup> | Transmit history pointer match                                                           |
| 0                      | The transmit history list has at least one message buffer number that has not been read. |
| 1                      | The transmit history list has no message buffer numbers that have not been read.         |

|                        |                                                                                                                                                                                                                                                                                                                                                                                                                                                 |
|------------------------|-------------------------------------------------------------------------------------------------------------------------------------------------------------------------------------------------------------------------------------------------------------------------------------------------------------------------------------------------------------------------------------------------------------------------------------------------|
| TOVF <sup>Note 2</sup> | Transmit history list overflow bit                                                                                                                                                                                                                                                                                                                                                                                                              |
| 0                      | All the message buffer numbers that have not been read are preserved. All the numbers of the message buffers to which a new data frame or remote frame has been transmitted are recorded to the transmit history list (the transmit history list has a vacant element).                                                                                                                                                                         |
| 1                      | At least 7 entries have been stored since the host processor serviced the THL last time (i.e. read C0TGPT). The first 6 entries are sequentially stored whereas the last entry might have been overwritten by newly transmitted messages a number of times because all buffer numbers are stored at position LOPT-1 when TOVF bit is set to 1. As a consequence receptions cannot be completely recovered in the order that they were received. |

- Notes**
1. The read value of the TGPT0 to TGPT7 bits is invalid when the THPM bit = 1.
  2. If all the transmit history is read by the C0TGPT register while the TOVF bit is set (1), the THPM bit is not cleared (0) but kept set (1), even if transmission of new data has been completed.

**Remark** Transmission from message buffers 0 to 7 is not recorded to the transmit history list in the normal operation mode with ABT.

(2/2)

(b) Write

| Clear TOVF | Setting of TOVF bit       |
|------------|---------------------------|
| 0          | TOVF bit is not changed.  |
| 1          | TOVF bit is cleared to 0. |

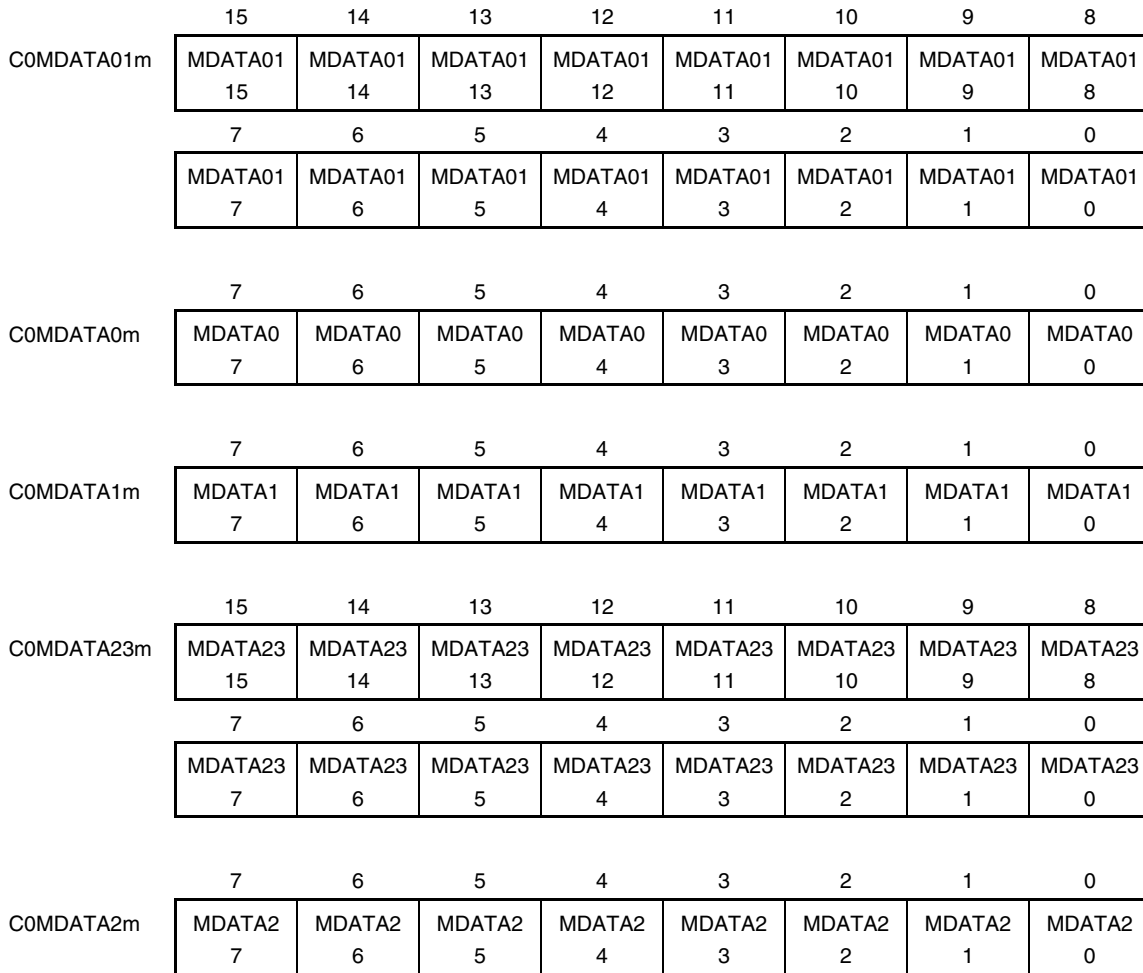
**(18) CAN0 message data byte register (COMDATAxm, COMDATAym) (x = 0 to 7, y = 01, 23, 45, 67)**

The COMDATAxm register is used to store the data of a transmit/receive message, and can be accessed in 8-bit unit.

The COMDATAxm register can be accessed in 16-bit units by the COMDATAym register.

(1/2)

After reset: Undefined    R/W    Address: See **Table 17-16**.

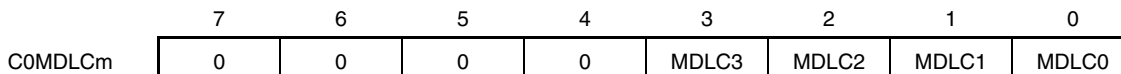


|            |               |               |               |               |               |               |              |              |
|------------|---------------|---------------|---------------|---------------|---------------|---------------|--------------|--------------|
|            | 7             | 6             | 5             | 4             | 3             | 2             | 1            | 0            |
| C0MDATA3m  | MDATA3<br>7   | MDATA3<br>6   | MDATA3<br>5   | MDATA3<br>4   | MDATA3<br>3   | MDATA3<br>2   | MDATA3<br>1  | MDATA3<br>0  |
|            | 15            | 14            | 13            | 12            | 11            | 10            | 9            | 8            |
| C0MDATA45m | MDATA45<br>15 | MDATA45<br>14 | MDATA45<br>13 | MDATA45<br>12 | MDATA45<br>11 | MDATA45<br>10 | MDATA45<br>9 | MDATA45<br>8 |
|            | 7             | 6             | 5             | 4             | 3             | 2             | 1            | 0            |
|            | MDATA45<br>7  | MDATA45<br>6  | MDATA45<br>5  | MDATA45<br>4  | MDATA45<br>3  | MDATA45<br>2  | MDATA45<br>1 | MDATA45<br>0 |
|            | 7             | 6             | 5             | 4             | 3             | 2             | 1            | 0            |
| C0MDATA4m  | MDATA4<br>7   | MDATA4<br>6   | MDATA4<br>5   | MDATA4<br>4   | MDATA4<br>3   | MDATA4<br>2   | MDATA4<br>1  | MDATA4<br>0  |
|            | 7             | 6             | 5             | 4             | 3             | 2             | 1            | 0            |
| C0MDATA5m  | MDATA5<br>7   | MDATA5<br>6   | MDATA5<br>5   | MDATA5<br>4   | MDATA5<br>3   | MDATA5<br>2   | MDATA5<br>1  | MDATA5<br>0  |
|            | 15            | 14            | 13            | 12            | 11            | 10            | 9            | 8            |
| C0MDATA67m | MDATA67<br>15 | MDATA67<br>14 | MDATA67<br>13 | MDATA67<br>12 | MDATA67<br>11 | MDATA67<br>10 | MDATA67<br>9 | MDATA67<br>8 |
|            | 7             | 6             | 5             | 4             | 3             | 2             | 1            | 0            |
|            | MDATA67<br>7  | MDATA67<br>6  | MDATA67<br>5  | MDATA67<br>4  | MDATA67<br>3  | MDATA67<br>2  | MDATA67<br>1 | MDATA67<br>0 |
|            | 7             | 6             | 5             | 4             | 3             | 2             | 1            | 0            |
| C0MDATA6m  | MDATA6<br>7   | MDATA6<br>6   | MDATA6<br>5   | MDATA6<br>4   | MDATA6<br>3   | MDATA6<br>2   | MDATA6<br>1  | MDATA6<br>0  |
|            | 7             | 6             | 5             | 4             | 3             | 2             | 1            | 0            |
| C0MDATA7m  | MDATA7<br>7   | MDATA7<br>6   | MDATA7<br>5   | MDATA7<br>4   | MDATA7<br>3   | MDATA7<br>2   | MDATA7<br>1  | MDATA7<br>0  |

**(19) CAN0 message data length register m (C0MDLCm)**

The C0MDLCm register is used to set the number of bytes of the data field of a message buffer.

After reset: 0000xxxxB      R/W      Address: See **Table 17-16**.



| MDLC3 | MDLC2 | MDLC1 | MDLC0 | Data length of transmit/receive message                                                                                                                                                                                                                                     |
|-------|-------|-------|-------|-----------------------------------------------------------------------------------------------------------------------------------------------------------------------------------------------------------------------------------------------------------------------------|
| 0     | 0     | 0     | 0     | 0 bytes                                                                                                                                                                                                                                                                     |
| 0     | 0     | 0     | 1     | 1 byte                                                                                                                                                                                                                                                                      |
| 0     | 0     | 1     | 0     | 2 bytes                                                                                                                                                                                                                                                                     |
| 0     | 0     | 1     | 1     | 3 bytes                                                                                                                                                                                                                                                                     |
| 0     | 1     | 0     | 0     | 4 bytes                                                                                                                                                                                                                                                                     |
| 0     | 1     | 0     | 1     | 5 bytes                                                                                                                                                                                                                                                                     |
| 0     | 1     | 1     | 0     | 6 bytes                                                                                                                                                                                                                                                                     |
| 0     | 1     | 1     | 1     | 7 bytes                                                                                                                                                                                                                                                                     |
| 1     | 0     | 0     | 0     | 8 bytes                                                                                                                                                                                                                                                                     |
| 1     | 0     | 0     | 1     | Setting prohibited<br>(If these bits are set during transmission, 8-byte data is transmitted regardless of the set DLC value when a data frame is transmitted. However, the DLC actually transmitted to the CAN bus is the DLC value set to this register.) <sup>Note</sup> |
| 1     | 0     | 1     | 0     |                                                                                                                                                                                                                                                                             |
| 1     | 0     | 1     | 1     |                                                                                                                                                                                                                                                                             |
| 1     | 1     | 0     | 0     |                                                                                                                                                                                                                                                                             |
| 1     | 1     | 0     | 1     |                                                                                                                                                                                                                                                                             |
| 1     | 1     | 1     | 0     |                                                                                                                                                                                                                                                                             |
| 1     | 1     | 1     | 1     |                                                                                                                                                                                                                                                                             |

**Note** The data and DLC value actually transmitted to CAN bus are as follows.

| Type of transmit frame | Length of transmit data                                           | DLC transmitted     |
|------------------------|-------------------------------------------------------------------|---------------------|
| Data frame             | Number of bytes specified by DLC<br>(However, 8 bytes if DLC ≥ 8) | MDLC3 to MDLC0 bits |
| Remote frame           | 0 bytes                                                           |                     |

- Cautions**
1. Be sure to set bits 7 to 4 to 0000B.
  2. Receive data is stored in as many C0MDATAxm registers as the number of bytes (however, the upper limit is 8) corresponding to the DLC of a receive frame. The C0MDATAxm register in which no data is stored is undefined.



**(20) CAN0 message configuration register m (COMCONFm)**

The COMCONFm register is used to specify the type of the message buffer and to set a mask.

(1/2)

After reset: Undefined    R/W    Address: See **Table 17-16**.

|          |     |     |     |     |     |   |   |     |
|----------|-----|-----|-----|-----|-----|---|---|-----|
|          | 7   | 6   | 5   | 4   | 3   | 2 | 1 | 0   |
| COMCONFm | OWS | RTR | MT2 | MT1 | MT0 | 0 | 0 | MA0 |

| OWS | Overwrite control bit                                                                                                                                                    |
|-----|--------------------------------------------------------------------------------------------------------------------------------------------------------------------------|
| 0   | The message buffer <sup>Note</sup> that has already received a data frame is not overwritten by a newly received data frame. The newly received data frame is discarded. |
| 1   | The message buffer that has already received a data frame is overwritten by a newly received data frame.                                                                 |

**Note** The “message buffer that has already received a data frame” is a receive message buffer whose the COMCTRLm.DN bit has been set to 1.

**Remark** A remote frame is received and stored, regardless of the setting of the OWS and DN bits. A remote frame that satisfies the other conditions (ID matches, the RTR bit = 0, the COMCTRLm.TRQ bit = 0) is always received and stored in the corresponding message buffer (interrupt generated, DN flag set, the COMDLCm.MDLC0 to COMDLCm.MDLC3 bits updated, and recorded to the receive history list).

| RTR | Remote frame request bit <sup>Note</sup> |
|-----|------------------------------------------|
| 0   | Transmit a data frame.                   |
| 1   | Transmit a remote frame.                 |

**Note** The RTR bit specifies the type of message frame that is transmitted from a message buffer defined as a transmit message buffer. Even if a valid remote frame has been received, the RTR bit of the transmit message buffer that has received the frame remains cleared to 0. Even if a remote frame whose ID matches has been received from the CAN bus with the RTR bit of the transmit message buffer set to 1 to transmit a remote frame, that remote frame is not received or stored (interrupt generated, DN flag set, the MDLC0 to MDLC3 bits updated, and recorded to the receive history list).

| MT2              | MT1 | MT0 | Message buffer type setting bit          |
|------------------|-----|-----|------------------------------------------|
| 0                | 0   | 0   | Transmit message buffer                  |
| 0                | 0   | 1   | Receive message buffer (no mask setting) |
| 0                | 1   | 0   | Receive message buffer (mask 1 set)      |
| 0                | 1   | 1   | Receive message buffer (mask 2 set)      |
| 1                | 0   | 0   | Receive message buffer (mask 3 set)      |
| 1                | 0   | 1   | Receive message buffer (mask 4 set)      |
| Other than above |     |     | Setting prohibited                       |

|     |                               |
|-----|-------------------------------|
| MA0 | Message buffer assignment bit |
| 0   | Message buffer not used.      |
| 1   | Message buffer used.          |

**Caution** Be sure to write 0 to bits 2 and 1.

### (21) CAN0 message ID register m (C0MIDLm, C0MIDHm)

The C0MIDLm and C0MIDHm registers are used to set an identifier (ID).

After reset: Undefined    R/W    Address: See **Table 17-16**.

|         |      |      |      |      |      |      |      |      |
|---------|------|------|------|------|------|------|------|------|
| C0MIDLm | 15   | 14   | 13   | 12   | 11   | 10   | 9    | 8    |
|         | ID15 | ID14 | ID13 | ID12 | ID11 | ID10 | ID9  | ID8  |
|         | 7    | 6    | 5    | 4    | 3    | 2    | 1    | 0    |
|         | ID7  | ID6  | ID5  | ID4  | ID3  | ID2  | ID1  | ID0  |
| C0MIDHm | 15   | 14   | 13   | 12   | 11   | 10   | 9    | 8    |
|         | IDE  | 0    | 0    | ID28 | ID27 | ID26 | ID25 | ID24 |
|         | 7    | 6    | 5    | 4    | 3    | 2    | 1    | 0    |
|         | ID23 | ID22 | ID21 | ID20 | ID19 | ID18 | ID17 | ID16 |

|     |                                                              |
|-----|--------------------------------------------------------------|
| IDE | Format mode specification bit                                |
| 0   | Standard format mode (ID28 to ID18: 11 bits) <sup>Note</sup> |
| 1   | Extended format mode (ID28 to ID0: 29 bits)                  |

**Note** The ID17 to ID0 bits are not used.

|              |                                             |
|--------------|---------------------------------------------|
| ID28 to ID0  | Message ID                                  |
| ID28 to ID18 | Standard ID value of 11 bits (when IDE = 0) |
| ID28 to ID0  | Extended ID value of 29 bits (when IDE = 1) |

**Cautions 1** Be sure to write 0 to bits 14 and 13 of the C0MIDHm register.

- Be sure to arrange the ID values to be registered in accordance with the bit positions of this register. For the standard ID, shift the bit positions of ID28 to ID18 of the ID value.

**(22) CAN0 message control register m (COMCTRLm)**

The COMCTRLm register is used to control the operation of the message buffer.

(1/3)

After reset: 00x000000 R/W Address: See **Table 17-16**.  
000xx000B

(a) Read

|          |    |    |     |     |    |    |     |     |
|----------|----|----|-----|-----|----|----|-----|-----|
|          | 15 | 14 | 13  | 12  | 11 | 10 | 9   | 8   |
| COMCTRLm | 0  | 0  | MUC | 0   | 0  | 0  | 0   | 0   |
|          | 7  | 6  | 5   | 4   | 3  | 2  | 1   | 0   |
|          | 0  | 0  | 0   | MOW | IE | DN | TRQ | RDY |

(b) Write

|          |    |    |    |           |          |          |           |           |
|----------|----|----|----|-----------|----------|----------|-----------|-----------|
|          | 15 | 14 | 13 | 12        | 11       | 10       | 9         | 8         |
| COMCTRLm | 0  | 0  | 0  | 0         | Set IE   | 0        | Set TRQ   | Set RDY   |
|          | 7  | 6  | 5  | 4         | 3        | 2        | 1         | 0         |
|          | 0  | 0  | 0  | Clear MOW | Clear IE | Clear DN | Clear TRQ | Clear RDY |

(a) Read

|                     |                                                                            |
|---------------------|----------------------------------------------------------------------------|
| MUC <sup>Note</sup> | Bit indicating that message buffer data is being updated                   |
| 0                   | The CAN module is not updating the message buffer (reception and storage). |
| 1                   | The CAN module is updating the message buffer (reception and storage).     |

**Note** The MUC bit is undefined until the first reception and storage is performed.

|     |                                                                       |
|-----|-----------------------------------------------------------------------|
| MOW | Message buffer overwrite status bit                                   |
| 0   | The message buffer is not overwritten by a newly received data frame. |
| 1   | The message buffer is overwritten by a newly received data frame.     |

**Remark** The MOW bit is not set to 1 even if a remote frame is received and stored in the transmit message buffer with the DN bit = 1.

|    |                                                                                                                                                                       |
|----|-----------------------------------------------------------------------------------------------------------------------------------------------------------------------|
| IE | Message buffer interrupt request enable bit                                                                                                                           |
| 0  | Receive message buffer: Valid message reception completion interrupt disabled.<br>Transmit message buffer: Normal message transmission completion interrupt disabled. |
| 1  | Receive message buffer: Valid message reception completion interrupt enabled.<br>Transmit message buffer: Normal message transmission completion interrupt enabled.   |

|    |                                                                   |
|----|-------------------------------------------------------------------|
| DN | Message buffer data update bit                                    |
| 0  | A data frame or remote frame is not stored in the message buffer. |
| 1  | A data frame or remote frame is stored in the message buffer.     |

| TRQ | Message buffer transmission request bit                                                                   |
|-----|-----------------------------------------------------------------------------------------------------------|
| 0   | No message frame transmitting request that is pending or being transmitted is in the message buffer.      |
| 1   | The message buffer is holding transmission of a message frame pending or is transmitting a message frame. |

**Caution** Do not set the TRQ bit and RDY bit to 1 at the same time. Be sure to set the RDY bit to 1 before setting the TRQ bit to 1.

| RDY | Message buffer ready bit                                                                                                                                     |
|-----|--------------------------------------------------------------------------------------------------------------------------------------------------------------|
| 0   | The message buffer can be written by software. The CAN module cannot write to the message buffer.                                                            |
| 1   | Writing the message buffer by software is ignored (except a write access to the RDY, TRQ, DN, and MOW bits). The CAN module can write to the message buffer. |

- Cautions**
- Do not clear (0) the RDY bit during message transmission. Follow transmission abort procedures in order to clear the RDY bit for redefinition.
  - If the RDY bit is not cleared (0) even when the processing to clear it is executed, execute the clearing processing again.
  - Confirm, by reading the RDY bit again, that the RDY bit has been cleared (0) before writing data to the message buffer.  
However, it is unnecessary to confirm that the TRQ or RDY bit has been set (1) or that the DN or MOW bit has been cleared (0).

(b) Write

| Clear MOW | Setting of MOW bit       |
|-----------|--------------------------|
| 0         | MOW bit is not changed.  |
| 1         | MOW bit is cleared to 0. |

| Set IE           | Clear IE | Setting of IE bit       |
|------------------|----------|-------------------------|
| 0                | 1        | IE bit is cleared to 0. |
| 1                | 0        | IE bit is set to 1.     |
| Other than above |          | IE bit is not changed.  |

**Caution** Be sure to set the IE and RDY bits separately.

| Clear DN | Setting of DN bit       |
|----------|-------------------------|
| 1        | DN bit is cleared to 0. |
| 0        | DN bit is not changed.  |

**Caution** Do not set the DN bit to 1 by software. Be sure to write 0 to bit 10.

| Set TRQ          | Clear TRQ | Setting of TRQ bit       |
|------------------|-----------|--------------------------|
| 0                | 1         | TRQ bit is cleared to 0. |
| 1                | 0         | TRQ bit is set to 1.     |
| Other than above |           | TRQ bit is not changed.  |

**Caution** Even if the TRQ bit is set (1), transmission may not be immediately executed depending on the situation such as when a message is received from another node or when a message is transmitted from the message buffer.

Transmission under execution is not terminated midway even if the TRQ bit is cleared. Transmission is continued until it is completed (regardless of whether it is executed successfully or fails).

| Set RDY          | Clear RDY | Setting of RDY bit       |
|------------------|-----------|--------------------------|
| 0                | 1         | RDY bit is cleared to 0. |
| 1                | 0         | RDY bit is set to 1.     |
| Other than above |           | RDY bit is not changed.  |

**Caution** Be sure to set the TRQ and RDY bits separately.

### 17.7 Bit Set/Clear Function

The CAN control registers include registers whose bits can be set or cleared via the CPU and via the CAN interface. An operation error occurs if the following registers are written directly. Do not write any values directly via bit manipulation, read/modify/write, or direct writing of target values.

- CAN0 global control register (COGMCTRL)
- CAN0 global automatic block transmission control register (COGMABT)
- CAN0 module control register (COCTRL)
- CAN0 module interrupt enable register (COIE)
- CAN0 module interrupt status register (COINTS)
- CAN0 module receive history list register (CORGPT)
- CAN0 module transmit history list register (COTGPT)
- CAN0 message control register (COMCTRLm)

**Remark** m = 00 to 31

All the 16 bits in the above registers can be read via the usual method. Use the procedure described in Figure 17-25 below to set or clear the lower 8 bits in these registers.

Setting or clearing of lower 8 bits in the above registers is performed in combination with the higher 8 bits (refer to the bit status after set/clear operation is specified in Figure 17-26). Figure 17-25 shows how the values of set bits or clear bits relate to set/clear/no change operations in the corresponding register.

**Figure 17-25. Example of Bit Setting/Clearing Operations**

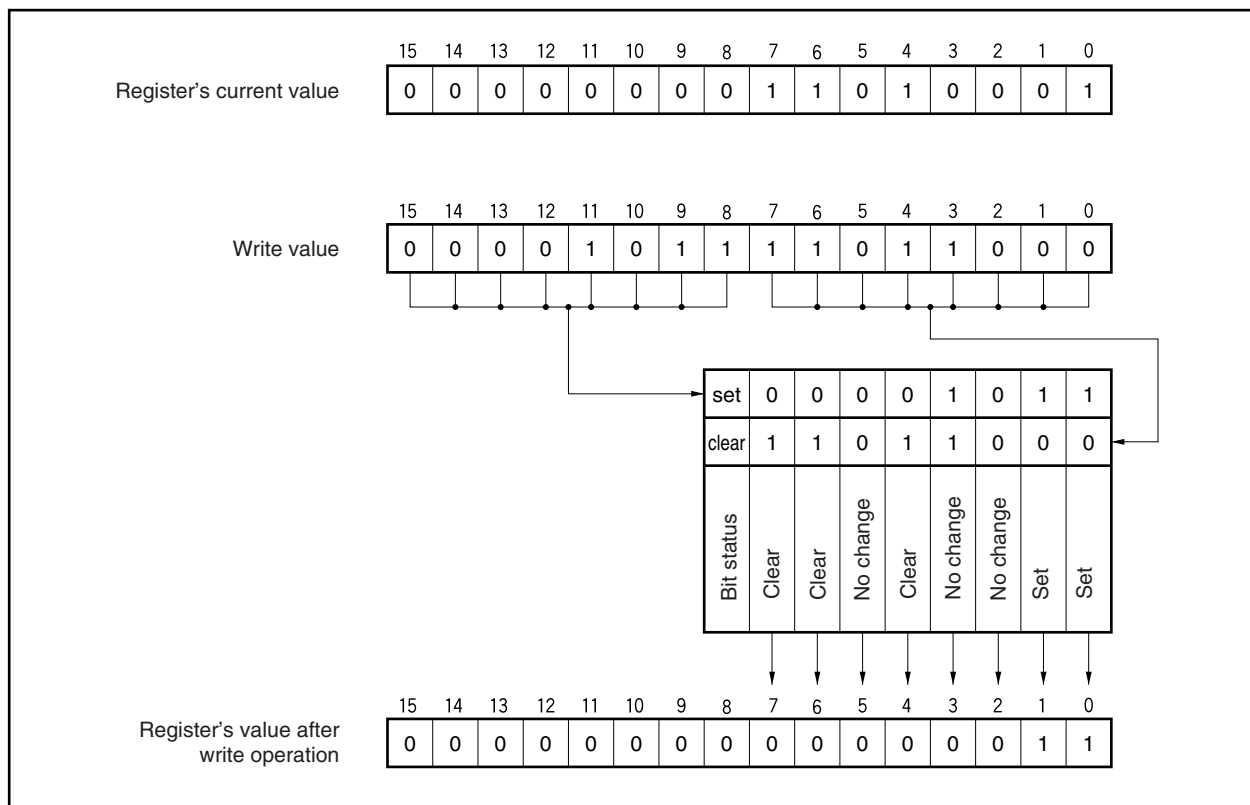


Figure 17-26. Bit Status After Bit Setting/Clearing Operations

|       |       |       |       |       |       |       |       |         |         |         |         |         |         |         |         |
|-------|-------|-------|-------|-------|-------|-------|-------|---------|---------|---------|---------|---------|---------|---------|---------|
| 15    | 14    | 13    | 12    | 11    | 10    | 9     | 8     | 7       | 6       | 5       | 4       | 3       | 2       | 1       | 0       |
| Set 7 | Set 6 | Set 5 | Set 4 | Set 3 | Set 2 | Set 1 | Set 0 | Clear 7 | Clear 6 | Clear 5 | Clear 4 | Clear 3 | Clear 2 | Clear 1 | Clear 0 |

| Set n | Clear n | Status of bit n after bit set/clear operation |
|-------|---------|-----------------------------------------------|
| 0     | 0       | No change                                     |
| 0     | 1       | 0                                             |
| 1     | 0       | 1                                             |
| 1     | 1       | No change                                     |

**Remark** n = 0 to 7

## 17.8 CAN Controller Initialization

### 17.8.1 Initialization of CAN module

Before CAN module operation is enabled, the CAN module system clock needs to be determined by setting the C0GMCS.CCP0 to C0GMCS.CCP3 bits by software. Do not change the setting of the CAN module system clock after CAN module operation is enabled.

The CAN module is enabled by setting the C0GMCTRL.GOM bit.

For the procedure of initializing the CAN module, see **17.15 Operation of CAN Controller**.

### 17.8.2 Initialization of message buffer

After the CAN module is enabled, the message buffers contain undefined values. A minimum initialization for all the message buffers, even for those not used in the application, is necessary before switching the CAN module from the initialization mode to one of the operation modes.

- Clear the COMCTRLm.RDY, COMCTRLm.TRQ, and COMCTRLm.DN bits to 0.
- Clear the COMCONFm.MA0 bit to 0.

**Remark** m = 00 to 31

### 17.8.3 Redefinition of message buffer

Redefining a message buffer means changing the ID and control information of the message buffer while a message is being received or transmitted, without affecting other transmission/reception operations.

#### (1) To redefine message buffer in initialization mode

Place the CAN module in the initialization mode once and then change the ID and control information of the message buffer in the initialization mode. After changing the ID and control information, set the CAN module to an operation mode.

#### (2) To redefine message buffer during reception

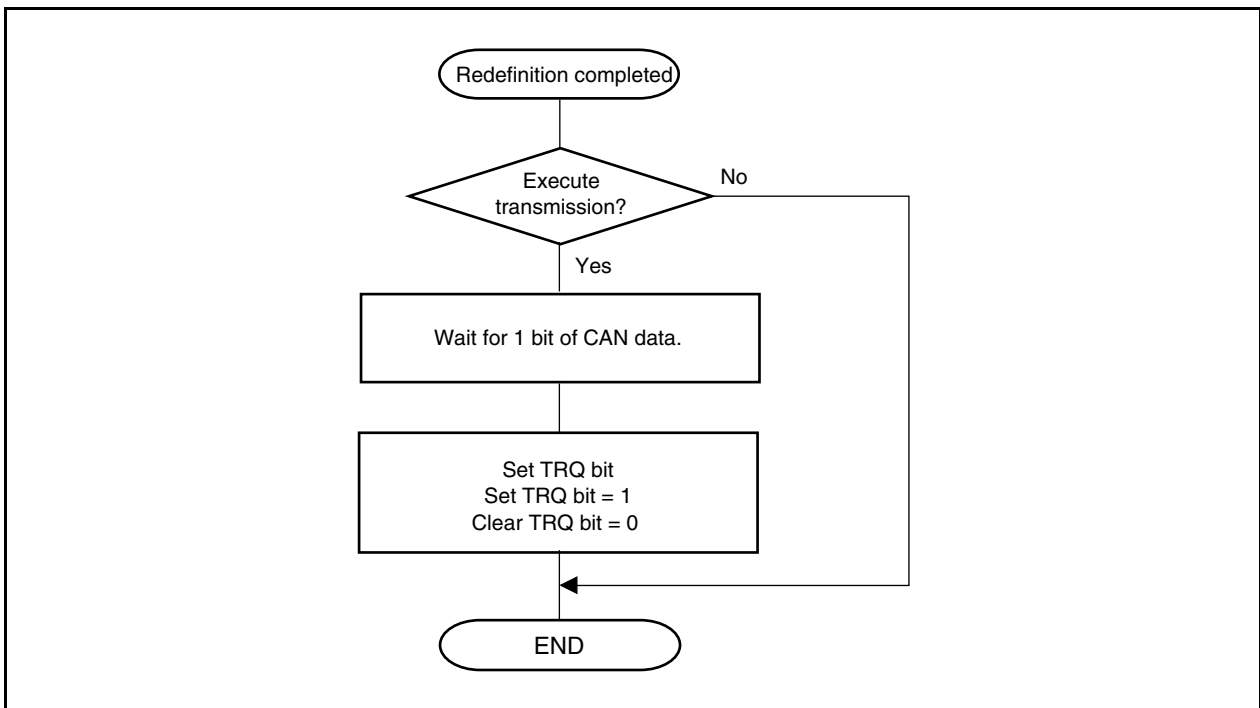
Perform redefinition as shown in Figure 17-38.

#### (3) To redefine message buffer during transmission

To rewrite the contents of a transmit message buffer to which a transmission request has been set, perform transmission abort processing (see **17.10.4 (1) Transmission abort process other than in normal operation mode with automatic block transmission (ABT)**, **17.10.4 (2) Transmission abort process except for ABT transmission in normal operation mode with automatic block transmission (ABT)**). Confirm that transmission has been aborted or completed, and then redefine the message buffer. After redefining the transmit message buffer, set a transmission request using the procedure described below. When setting a transmission request to a message buffer that has been redefined without aborting the transmission in progress, however, the 1-bit wait time is not necessary.



Figure 17-27. Setting Transmission Request (TRQ) to Transmit Message Buffer After Redefinition



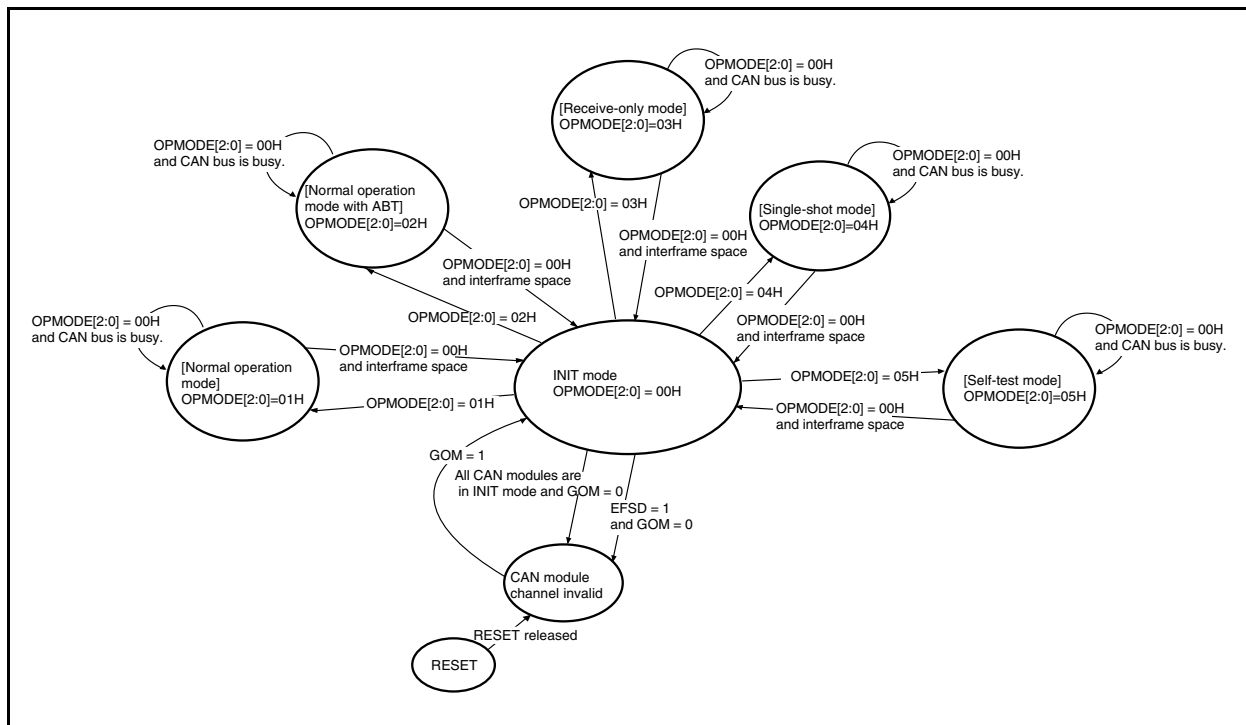
- Cautions**
1. When a message is received, reception filtering is performed in accordance with the ID and mask set to each receive message buffer. If the procedure in Figure 17-39 is not observed, the contents of the message buffer after it has been redefined may contradict the result of reception (result of reception filtering). If this happens, check that the ID and IDE received first and stored in the message buffer following redefinition are those stored after the message buffer has been redefined. If no ID and IDE are stored after redefinition, redefine the message buffer again.
  2. When a message is transmitted, the transmission priority is checked in accordance with the ID, IDE, and RTR bits set to each transmit message buffer to which a transmission request was set. The transmit message buffer having the highest priority is selected for transmission. If the procedure in Figure 17-27 is not observed, a message with an ID not having the highest priority may be transmitted after redefinition.

### 17.8.4 Transition from initialization mode to operation mode

The CAN module can be switched to the following operation modes.

- Normal operation mode
- Normal operation mode with ABT
- Receive-only mode
- Single-shot mode
- Self-test mode

Figure 17-28. Transition to Operation Modes



The transition from the initialization mode to an operation mode is controlled by the C0CTRL.OPMODE2 to C0CTRL.OPMODE0 bits.

Changing from one operation mode into another requires shifting to the initialization mode in between. Do not change one operation mode to another directly; otherwise the operation will not be guaranteed.

Requests for transition from an operation mode to the initialization mode are held pending when the CAN bus is not in the interframe space (i.e., frame reception or transmission is in progress), and the CAN module enters the initialization mode at the first bit in the interframe space (the values of the OPMODE2 to OPMODE0 bits are changed to 000B). After issuing a request to change the mode to the initialization mode, read the OPMODE2 to OPMODE0 bits until their values become 000B to confirm that the module has entered the initialization mode (see **Figure 17-36**).

### 17.8.5 Resetting error counter C0ERC of CAN module

If it is necessary to reset the C0ERC and C0INFO registers when re-initialization or forced recovery from the bus-off status is made, set the C0CTRL.CCERC bit to 1 in the initialization mode. When this bit is set to 1, the C0ERC and C0INFO registers are cleared to their default values.

## 17.9 Message Reception

### 17.9.1 Message reception

All buffers satisfying the following conditions are searched in all the message buffer areas in all the operation modes in order to store newly received messages.

- Used as a message buffer  
(COMCONFm.MA0 bit is set to 1.)
- Set as a receive message buffer  
(COMCONFm.MT2 to COMCONFm.MT0 bits are set to 001B, 010B, 011B, 100B, or 101B.)
- Ready for reception  
(COMCTRLm.RDY bit is set to 1.)

**Remark** m = 00 to 31

When two or more message buffers of the CAN module receive a message, the message is stored according to the priority explained below. The message is always stored in the message buffer with the highest priority, not in a message buffer with a low priority. For example, when an unmasked receive message buffer and a receive message buffer linked to mask 1 have the same ID, the received message is not stored in the message buffer linked to mask 1 that has not received a message, even if a message has already been received in the unmasked receive message buffer. In other words, when a condition has been set to store a message in two or more message buffers with different priorities, the message buffer with the highest priority always stores the message; the message is not stored in message buffers with a lower priority. This also applies when the message buffer with the highest priority is unable to receive and store a message (i.e., when the DN bit = 1 indicating that a message has already been received, but rewriting is disabled because the OWS bit = 0). In this case, the message is not actually received and stored in the candidate message buffer with the highest priority, but neither is it stored in a message buffer with a lower priority.

| Priority | Storing Condition If Same ID Is Set |                            |
|----------|-------------------------------------|----------------------------|
| 1 (high) | Unmasked message buffer             | DN bit = 0                 |
|          |                                     | DN bit = 1 and OWS bit = 1 |
| 2        | Message buffer linked to mask 1     | DN bit = 0                 |
|          |                                     | DN bit = 1 and OWS bit = 1 |
| 3        | Message buffer linked to mask 2     | DN bit = 0                 |
|          |                                     | DN bit = 1 and OWS bit = 1 |
| 4        | Message buffer linked to mask 3     | DN bit = 0                 |
|          |                                     | DN bit = 1 and OWS bit = 1 |
| 5 (low)  | Message buffer linked to mask 4     | DN bit = 0                 |
|          |                                     | DN bit = 1 and OWS bit = 1 |

17.9.2 Reading reception data

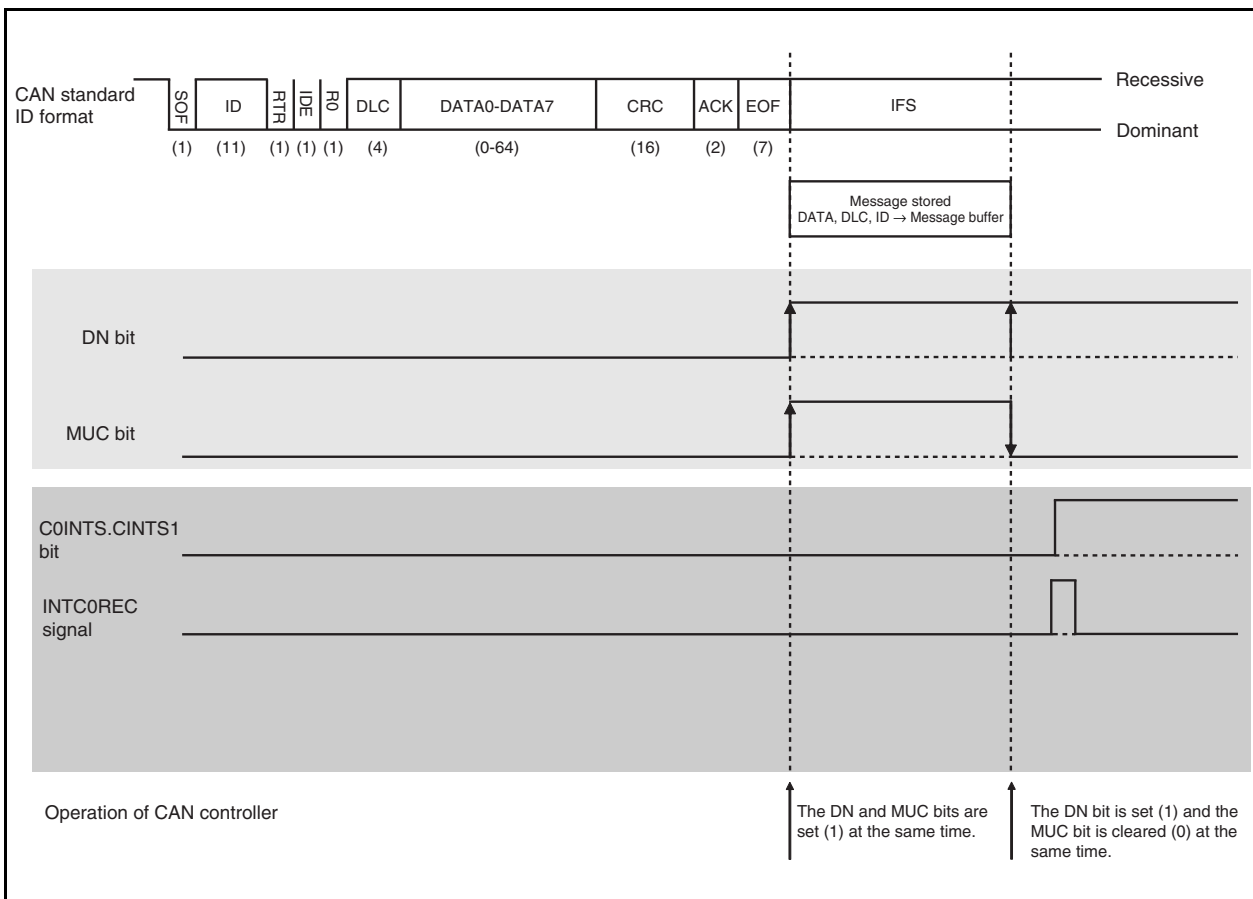
If it is necessary to consistently read data from the CAN message buffer by software, follow the recommended procedures shown in Figures 17-48 and 17-49.

While receiving a message, the CAN module sets the C0MCTRLm.DN bit two times, at the beginning of the processing to store data in the message buffer and at the end of this storing processing. During this storing processing, the C0MCTRLm.MUC bit of the message buffer is set (1) (refer to **Figure 17-29**).

Before the data is completely stored, the receive history list is written. During this data storing period (MUC bit = 1), the CPU is prohibited from rewriting the C0MCTRLm.RDY bit of the message buffer in which the data is to be stored. Completion of this data storing processing may be delayed by a CPU's access to any message buffer.

**Remark** m = 0 to 31

Figure 17-29. DN and MUC Bit Setting Period (in Standard ID Format)



### 17.9.3 Receive history list function

The receive history list (RHL) function records in the receive history list the number of the receive message buffer in which each data frame or remote frame was received and stored. The RHL consists of storage elements equivalent to up to 23 messages, the last in-message pointer (LIPT) with the corresponding COLIPT register and the receive history list get pointer (RGPT) with the corresponding C0RGPT register.

The RHL is undefined immediately after the transition of the CAN module from the initialization mode to one of the operation modes.

The COLIPT register holds the contents of the RHL element indicated by the value of the LIPT pointer minus 1. By reading the COLIPT register, therefore, the number of the message buffer that received and stored a data frame or remote frame first can be checked. The LIPT pointer is utilized as a write pointer that indicates to what part of the RHL a message buffer number is recorded. Any time a data frame or remote frame is received and stored, the corresponding message buffer number is recorded to the RHL element indicated by the LIPT pointer. Each time recording to the RHL has been completed, the LIPT pointer is automatically incremented. In this way, the number of the message buffer that has received and stored a frame will be recorded chronologically.

The RGPT pointer is utilized as a read pointer that reads a recorded message buffer number from the RHL. This pointer indicates the first RHL element that the CPU has not read yet. By reading the C0RGPT register by software, the number of a message buffer that has received and stored a data frame or remote frame can be read. Each time a message buffer number is read from the C0RGPT register, the RGPT pointer is automatically incremented.

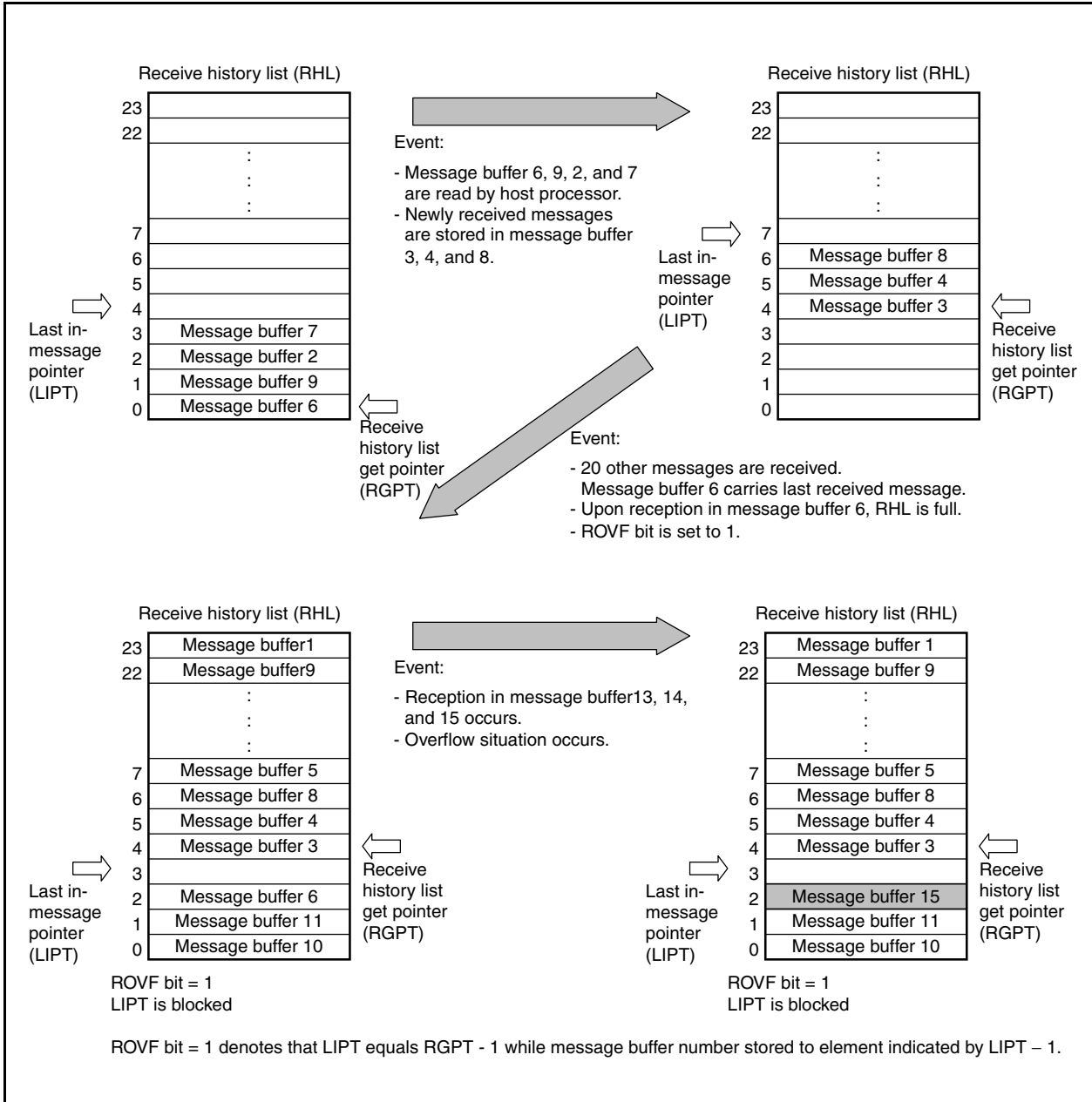
If the value of the RGPT pointer matches the value of the LIPT pointer, the C0RGPT.RHPM bit (receive history list pointer match) is set to 1. This indicates that no message buffer number that has not been read remains in the RHL. If a new message buffer number is recorded, the LIPT pointer is incremented and because its value no longer matches the value of the RGPT pointer, the RHPM bit is cleared. In other words, the numbers of the unread message buffers exist in the RHL.

If the LIPT pointer is incremented and matches the value of the RGPT pointer minus 1, the C0RGPT.ROVF bit (receive history list overflow) is set to 1. This indicates that the RHL is full of numbers of message buffers that have not been read. When further message reception and storing occur, the last recorded message buffer number is overwritten by the number of the message buffer that received and stored the new message. After the ROVF bit has been set to 1, the recorded message buffer numbers in the RHL do not completely reflect chronological order. However the messages themselves are not lost and can be located by a CPU search in the message buffer memory with the help of the DN bit.

**Caution** Even if the receive history list overflows (C0RGPT.ROVF bit = 1), the receive history can be read until no more history is left unread and the C0RGPT.RHPM bit is set (1). However, the ROVF bit is kept set (1) (= overflow occurs) until cleared (0) by software. In this status, the RHPM bit is not cleared (0), unless the ROVF bit is cleared (0), even if a new receive history is stored and written to the list. If ROVF bit = 1 and RHPM bit = 1 and the receive history list overflows, therefore, the RHPM bit indicates that no more history is left unread even if new receive history is stored.

As long as the RHL contains 23 or less entries the sequence of occurrence is maintained. If more receptions occur without the RHL being read by the host processor, a complete sequence of receptions can not be recovered.

Figure 17-30. Receive History List



### 17.9.4 Mask function

It can be defined whether masking of the identifier that is set to a message buffer is linked with another message buffer.

By using the mask function, the identifier of a message received from the CAN bus can be compared with the identifier set to a message buffer in advance. Regardless of whether the masked ID is set to 0 or 1, the received message can be stored in the defined message buffer.

While the mask function is in effect, an identifier bit that is defined to be 1 by a mask in the received message is not compared with the corresponding identifier bit in the message buffer.

However, this comparison is performed for any bit whose value is defined as 0 by the mask.

For example, let us assume that all messages that have a standard-format ID, in which bits ID27 to ID25 are 0 and bits ID24 and ID22 are 1, are to be stored in message buffer 14. The procedure for this example is shown below.

<1> Identifier to be stored in message buffer

| ID28 | ID27 | ID26 | ID25 | ID24 | ID23 | ID22 | ID21 | ID20 | ID19 | ID18 |
|------|------|------|------|------|------|------|------|------|------|------|
| x    | 0    | 0    | 0    | 1    | x    | 1    | x    | x    | x    | x    |

**Remark** x = don't care

<2> Identifier to be configured in message buffer 14 (example)  
(Using COMIDL14 and COMIDH14 registers)

| ID28 | ID27 | ID26 | ID25 | ID24 | ID23 | ID22 | ID21 | ID20 | ID19 | ID18 |
|------|------|------|------|------|------|------|------|------|------|------|
| x    | 0    | 0    | 0    | 1    | x    | 1    | x    | x    | x    | x    |
| ID17 | ID16 | ID15 | ID14 | ID13 | ID12 | ID11 | ID10 | ID9  | ID8  | ID7  |
| x    | x    | x    | x    | x    | x    | x    | x    | x    | x    | x    |
| ID6  | ID5  | ID4  | ID3  | ID2  | ID1  | ID0  |      |      |      |      |
| x    | x    | x    | x    | x    | x    | x    |      |      |      |      |

ID with the ID27 to ID25 bits cleared to 0 and the ID24 and ID22 bits set to 1 is registered (initialized) to message buffer 14.

**Remark** x = don't care

**Remark** Message buffer 14 is set as a standard format identifier that is linked to mask 1 (COMCONF14.MT2 to COMCONF14.MT0 bits are set to 010B).

<3> Mask setting for CAN module 0 (mask 0) (Example)  
 (Using CAN0 module mask 1 registers L and H (C0MASK1L and C0MASK1H))

|        |        |        |        |        |        |        |        |        |        |        |
|--------|--------|--------|--------|--------|--------|--------|--------|--------|--------|--------|
| CMID28 | CMID27 | CMID26 | CMID25 | CMID24 | CMID23 | CMID22 | CMID21 | CMID20 | CMID19 | CMID18 |
| 1      | 0      | 0      | 0      | 0      | 1      | 0      | 1      | 1      | 1      | 1      |
| CMID17 | CMID16 | CMID15 | CMID14 | CMID13 | CMID12 | CMID11 | CMID10 | CMID9  | CMID8  | CMID7  |
| 1      | 1      | 1      | 1      | 1      | 1      | 1      | 1      | 1      | 1      | 1      |
| CMID6  | CMID5  | CMID4  | CMID3  | CMID2  | CMID1  | CMID0  |        |        |        |        |
| 1      | 1      | 1      | 1      | 1      | 1      | 1      |        |        |        |        |

1: Not compared (masked)

0: Compared

The CMID27 to CMID24 and CMID22 bits are cleared to 0, and the CMID28, CMID23, and CMID21 to CMID0 bits are set to 1.



### 17.9.5 Multi buffer receive block function

The multi buffer receive block (MBRB) function is used to store a block of data in two or more message buffers sequentially with no CPU interaction, by setting the same ID to two or more message buffers with the same message buffer type. These message buffers can be allocated in any area in the message buffer memory, and they are not necessarily to be allocated adjacent to each other.

Suppose, for example, the same message buffer type is set to 10 message buffers, message buffers 10 to 19, and the same ID is set to each message buffer. If the first message whose ID matches an ID of the message buffers is received, it is stored in message buffer 10. At this point, the DN bit of message buffer 10 is set, prohibiting overwriting the message buffer.

When the next message with a matching ID is received, it is received and stored in message buffer 11. Each time a message with a matching ID is received, it is sequentially (in the ascending order) stored in message buffers 12, 13, and so on. Even when a data block consisting of multiple messages is received, the messages can be stored and received without overwriting the previously received matching-ID data.

Whether a data block has been received and stored can be checked by setting the COMCTRLm.IE bit of each message buffer. For example, if a data block consists of k messages, k message buffers are initialized for reception of the data block. The IE bit in message buffers 0 to (k-2) is cleared to 0 (interrupts disabled), and the IE bit in message buffer k-1 is set to 1 (interrupts enabled). In this case, a reception completion interrupt occurs when a message has been received and stored in message buffer k-1, indicating that MBRB has become full. Alternatively, by clearing the IE bit of message buffers 0 to (k-3) and setting the IE bit of message buffer k-2, a warning that MBRB is about to overflow can be issued.

The basic conditions of storing receive data in each message buffer for the MBRB are the same as the conditions of storing data in a single message buffer.

- Cautions**
1. **MBRB can be configured for each of the same message buffer types. Therefore, even if a message buffer of another MBRB whose ID matches but whose message buffer type is different has a vacancy, the received message is not stored in that message buffer, but instead discarded.**
  2. **MBRB does not have a ring buffer structure. Therefore, after a message is stored in the message buffer having the highest number in the MBRB configuration, a newly received message will no longer be stored in the message buffer in the order from the lowest message buffer number.**
  3. **MBRB operates based on the reception and storage conditions; there are no settings dedicated to MBRB, such as function enable bits. By setting the same message buffer type and ID to two or more message buffers, MBRB is automatically configured.**
  4. **With MBRB, “matching ID” means “matching ID after mask”. Even if the ID set to each message buffer is not the same, if the ID that is masked by the mask register matches, it is considered a matching ID and the buffer that has this ID is treated as the storage destination of a message.**
  5. **Priority among each MBRB conforms to the priority shown in 17.9.1 Message reception.**

**Remark** m = 00 to 31

### 17.9.6 Remote frame reception

In all the operation modes, when a remote frame is received, the message buffer that is to store the remote frame is searched from all the message buffers satisfying the following conditions.

- Used as a message buffer  
(COMCONFm.MA0 bit set to 1.)
- Set as a transmit message buffer  
(COMCONFm.MT2 to COMCONFm.MT0 bits set to 000B)
- Ready for reception  
(COMCTRLm.RDY bit set to 1.)
- Set to transmit message  
(COMCONFm.RTR bit is cleared to 0.)
- Transmission request is not set.  
(COMCTRLm.TRQ bit is set to 0.)

Upon acceptance of a remote frame, the following actions are executed if the ID of the received remote frame matches the ID of a message buffer that satisfies the above conditions.

- The COMDLCm.DLC3 to COMDLCm.DLC0 bits store the received DLC value.
- The COMDATA0m to COMDATA7m registers in the data area are not updated (data before reception is saved).
- The COMCTRLm.DN bit is set to 1.
- The C0INTS.CINTS1 bit is set to 1 (if the COMCTRLm.IE bit of the message buffer that receives and stores the frame is set to 1).
- The receive completion interrupt (INTCOREC) is output (if the IE bit of the message buffer that receives and stores the frame is set to 1 and if the C0IE.CIE1 bit is set to 1).
- The message buffer number is recorded in the receive history list.

**Caution** When a message buffer is searched for receiving and storing a remote frame, overwrite control by the COMCONFm.OWS bit of the message buffer and the DN bit are not affected. The setting of the OWS bit is ignored and the DN bit is set to 1 in every case.

If more than one transmit message buffer has the same ID and the ID of the received remote frame matches that ID, the remote frame is stored in the transmit message buffer with the lowest message buffer number.

**Remark** m = 00 to 31

## 17.10 Message Transmission

### 17.10.1 Message transmission

In all the operation modes, if the COMCTRLm.TRQ bit is set to 1 in a message buffer that satisfies the following conditions, the message buffer that is to transmit a message is searched.

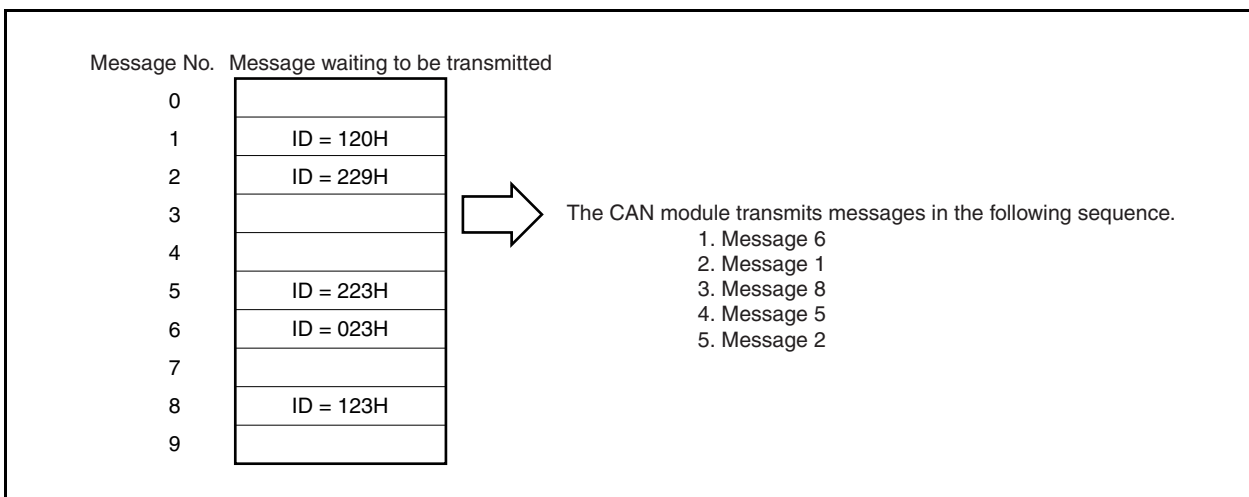
- Used as a message buffer  
(COMCONFm.MA0 bit set to 1.)
- Set as a transmit message buffer  
(COMCONFm.MT2 to COMCONFm.MT0 bits set to 000B.)
- Ready for transmission  
(COMCTRLm.RDY bit is set to 1.)

**Remark** m = 00 to 31

The CAN system is a multi-master communication system. In a system like this, the priority of message transmission is determined based on message identifiers (IDs). To facilitate transmission processing by software when there are several messages awaiting transmission, the CAN module uses hardware to check the ID of the message with the highest priority and automatically identifies that message. This eliminates the need for software-based priority control.

Transmission priority is controlled by the identifier (ID).

**Figure 17-31. Message Processing Example**



After the transmit message search, the transmit message with the highest priority of the transmit message buffers that have a pending transmission request (message buffers with the TRQ bit set to 1 in advance) is transmitted.

If a new transmission request is set, the transmit message buffer with the new transmission request is compared with the transmit message buffer with a pending transmission request. If the new transmission request has a higher priority, it is transmitted, unless transmission of a message with a low priority has already started. To solve this reversal of priorities, software can request that transmission of a message of low priority be stopped. The highest priority is determined according to the following rules.

| Priority | Conditions                                   | Description                                                                                                                                                                                                                                                                                                        |
|----------|----------------------------------------------|--------------------------------------------------------------------------------------------------------------------------------------------------------------------------------------------------------------------------------------------------------------------------------------------------------------------|
| 1 (high) | Value of first 11 bits of ID [ID28 to ID18]: | The message frame with the lowest value represented by the first 11 bits of the ID is transmitted first. If the value of an 11-bit standard ID is equal to or smaller than the first 11 bits of a 29-bit extended ID, the 11-bit standard ID has a higher priority than a message frame with a 29-bit extended ID. |
| 2        | Frame type                                   | A data frame with an 11-bit standard ID (COMCONFm.RTR bit is cleared to 0) has a higher priority than a remote frame with a standard ID and a message frame with an extended ID.                                                                                                                                   |
| 3        | ID type                                      | A message frame with a standard ID (COMIDHm.IDE bit is cleared to 0) has a higher priority than a message frame with an extended ID.                                                                                                                                                                               |
| 4        | Value of lower 18 bits of ID [ID17 to ID0]:  | If one or more transmission-pending extended ID message frame has equal values in the first 11 bits of the ID and the same frame type (equal RTR bit values), the message frame with the lowest value in the lower 18 bits of its extended ID is transmitted first.                                                |
| 5 (low)  | Message buffer number                        | If two or more message buffers request transmission of message frames with the same ID, the message from the message buffer with the lowest message buffer number is transmitted first.                                                                                                                            |

**Remarks 1.** If the automatic block transmission request bit C0GMABT.ABTTRG bit is set to 1 in the normal operation mode with ABT, the TRQ bit is set to 1 only for one message buffer in the ABT message buffer group.

If the ABT mode was triggered by the ABTTRG bit (1), one TRQ bit is set to 1 in the ABT area (buffers 0 to 7). In addition to this TRQ bit, the application can request transmissions (set TRQ bit to 1) for other TX-message buffers that do not belong to the ABT area. In that case an internal arbitration process (TX-search) evaluates all of the TX-message buffers with the TRQ bit set to 1 and chooses the message buffer that contains the highest prioritized identifier for the next transmission. If there are 2 or more identifiers that have the highest priority (i.e. identical identifiers), the message located at the lowest message buffer number is transmitted first.

Upon successful transmission of a message frame, the following operations are performed.

- The TRQ bit of the corresponding transmit message buffer is automatically cleared to 0.
  - The transmission completion status bit CINTS0 of the C0INTS register is set to 1 (if the interrupt enable bit (IE) of the corresponding transmit message buffer is set to 1).
  - An interrupt request signal INTC0TRX is output (if the C0IE.CIE0 bit is set to 1 and if the interrupt enable bit (IE) of the corresponding transmit message buffer is set to 1).
2. Before changing the contents of the transmit message buffer, the RDY flag of this buffer must be cleared. Since the RDY flag may be temporarily locked while the internal processing is changed, it is necessary to check the status of the RDY flag after changing the buffer contents.

### 17.10.2 Transmit history list function

The transmit history list (THL) function records in the transmit history list the number of the transmit message buffer in which each data frame or remote frame was received and stored. The THL consists of storage elements equivalent to up to seven messages, the last out-message pointer (LOPT) with the corresponding C0LOPT register, and the transmit history list get pointer (TGPT) with the corresponding C0TGPT register.

The THL is undefined immediately after the transition of the CAN module from the initialization mode to one of the operation modes.

The C0LOPT register holds the contents of the THL element indicated by the value of the LOPT pointer minus 1. By reading the C0LOPT register, therefore, the number of the message buffer that transmitted a data frame or remote frame first can be checked. The LOPT pointer is utilized as a write pointer that indicates to what part of the THL a message buffer number is recorded. Any time a data frame or remote frame is transmitted, the corresponding message buffer number is recorded to the THL element indicated by the LOPT pointer. Each time recording to the THL has been completed, the LOPT pointer is automatically incremented. In this way, the number of the message buffer that has received and stored a frame will be recorded chronologically.

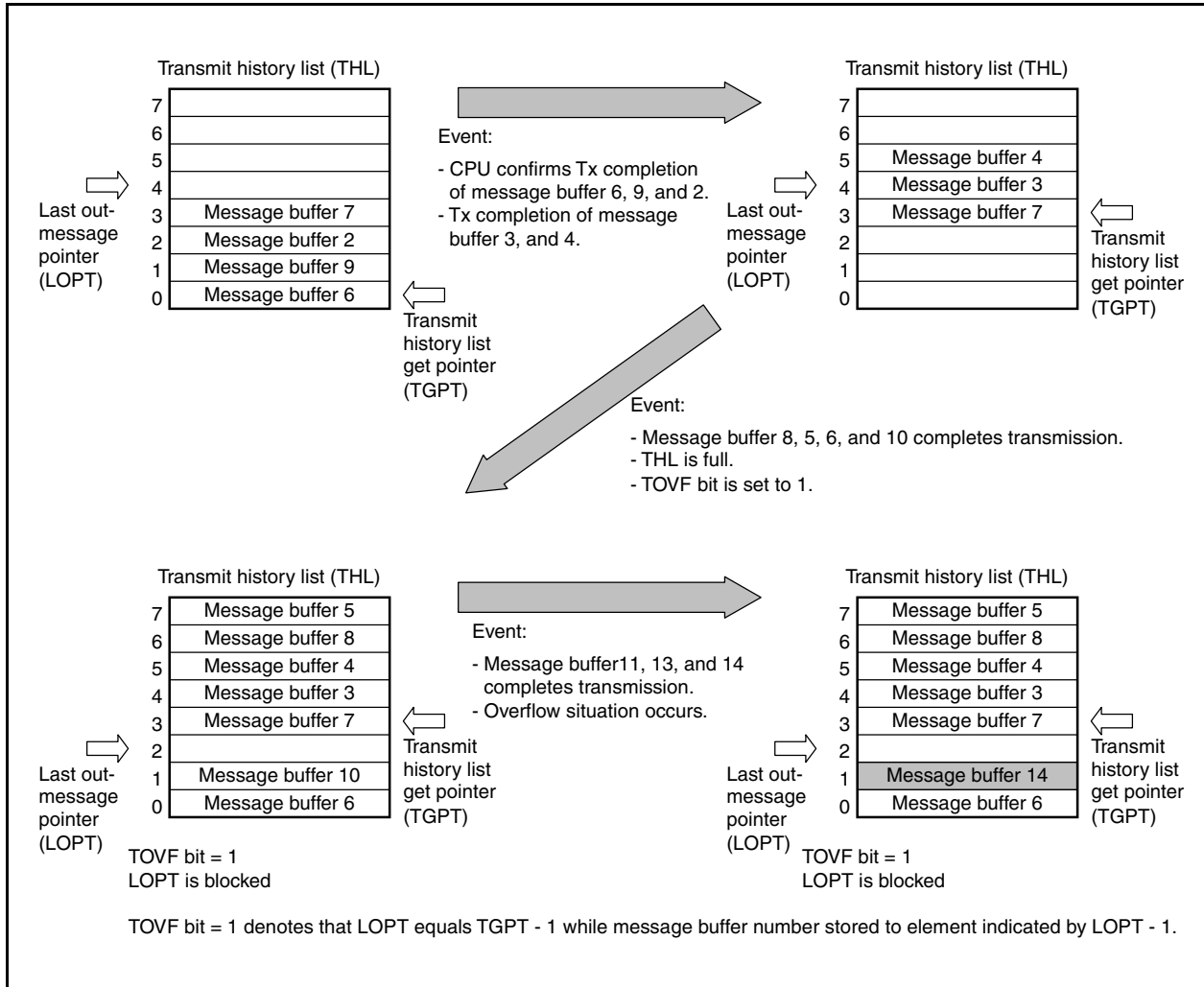
The TGPT pointer is utilized as a read pointer that reads a recorded message buffer number from the THL. This pointer indicates the first THL element that the CPU has not yet read. By reading the C0TGPT register by software, the number of a message buffer that has completed transmission can be read. Each time a message buffer number is read from the C0TGPT register, the TGPT pointer is automatically incremented.

If the value of the TGPT pointer matches the value of the LOPT pointer, the C0TGPT.THPM bit (transmit history list pointer match) is set to 1. This indicates that no message buffer numbers that have not been read remain in the THL. If a new message buffer number is recorded, the LOPT pointer is incremented and because its value no longer matches the value of the TGPT pointer, the THPM bit is cleared. In other words, the numbers of the unread message buffers exist in the THL.

If the LOPT pointer is incremented and matches the value of the TGPT pointer minus 1, the TOVF bit (transmit history list overflow) of the C0TGPT register is set to 1. This indicates that the THL is full of message buffer numbers that have not been read. If a new message is received and stored, the message buffer number recorded last is overwritten by the number of the message buffer that received and stored the new message. After the TOVF bit has been set (1), therefore, the recorded message buffer numbers in the THL do not completely reflect chronological order. However the transmitted messages can be found by a CPU search applied to all transmit message buffers unless the CPU has not overwritten a transmit object in one of these buffers beforehand. In total up to six transmission completions can occur without overflowing the THL.

**Caution** Even if the transmit history list overflows (C0TGPT.TOVF bit = 1), the transmit history can be read until no more history is left unread and the C0TGPT.THPM bit is set (1). However, the TOVF bit is kept set (1) (= overflow occurs) until cleared (0) by software. In this status, the THPM bit is not cleared (0), unless the TOVF bit is cleared (0), even if a new transmit history is stored and written to the list. If the TOVF bit = 1 and the THPM bit = 1 and the transmit history list overflows, therefore, the THPM bit indicates that no more history is left unread even if new transmit history is stored.

Figure 17-32. Transmit History List



### 17.10.3 Automatic block transmission (ABT)

The automatic block transmission (ABT) function is used to transmit two or more data frames successively with no CPU interaction. The maximum number of transmit message buffers assigned to the ABT function is eight (message buffer numbers 0 to 7).

By setting the C0CTRL.OPMODE2 to C0CTRL.OPMODE0 bits to 010B, “normal operation mode with automatic block transmission function” (hereafter referred to as ABT mode) can be selected.

To issue an ABT transmission request, define the message buffers by software first. Set the COMCONFm.MA0 bit (1) in all the message buffers used for ABT, and define all the buffers as transmit message buffers by setting the COMCONFm.MA2 to COMCONFm.MA0 bits to 000B. Be sure to set the ID used in the message buffer for ABT for each message buffer, even when that ID is being used for all the message buffers. To use two or more IDs, set the ID of each message buffer by using the COMIDLm and COMIDHm registers. Set the COMDLCm and COMDATA0m to COMDATA7m registers before issuing a transmission request for the ABT function.

After initialization of message buffers for ABT is finished, the COMCTRLm.RDY bit needs to be set (1). In the ABT mode, the COMCTRLm.TRQ bit does not have to be manipulated by software.

After the data for the ABT message buffers has been prepared, set the COGMABT.ABTTRG bit to 1. Automatic block transmission is then started. When ABT is started, the TRQ bit in the first message buffer (message buffer 0) is automatically set to 1. After transmission of the data of message buffer 0 is finished, the TRQ bit of the next message buffer, message buffer 1, is set automatically. In this way, transmission is executed successively.

A delay time can be inserted by program in the interval in which the transmission request (TRQ bit) is automatically set while successive transmission is being executed. The delay time to be inserted is defined by the COGMABTD register. The unit of the delay time is DBT (data bit time). DBT depends on the setting of the C0BRP and C0BTR registers.

During ABT, the priority of the transmission ID is not searched in the ABT transmit message buffer. The data of message buffers 0 to 7 is sequentially transmitted. When transmission of the data frame from message buffer 7 has been completed, the ABTTRG bit is automatically cleared to 0 and the ABT operation is finished.

If the RDY bit of an ABT message buffer is cleared during ABT, no data frame is transmitted from that buffer, ABT is stopped, and the ABTTRG bit is cleared. After that, transmission can be resumed from the message buffer where ABT stopped, by setting the RDY and ABTTRG bits to 1 by software. To not resume transmission from the message buffer where ABT stopped, the internal ABT engine can be reset by setting the COGMABT.ABTCLR bit to 1 while ABT mode is stopped and the ABTTRG bit is cleared to 0. In this case, transmission is started from message buffer 0 if the ABTCLR bit is cleared to 0 and then the ABTTRG bit is set to 1.

An interrupt can be used to check if data frames have been transmitted from all the message buffers for ABT. To do so, the COMCTRLm.IE bit of each message buffer except the last message buffer needs to be cleared (0).

If a transmit message buffer other than those used by the ABT function (message buffers 8 to 31) is assigned to a transmit message buffer, the priority of the message to be transmitted is determined by the priority of the transmission ID of the ABT message buffer whose transmission is currently held pending and the transmission message buffer of the message buffers other than those used by the ABT function.

Transmission of a data frame from an ABT message buffer is not recorded in the transmit history list (THL).

- Cautions**
1. To resume the normal operation mode with ABT from the message buffer 0, set the ABTCLR bit to 1 while the ABTTRG bit is cleared to 0. If the ABTCLR bit is set to 1 while the ABTTRG bit is set to 1, the subsequent operation is not guaranteed.
  2. Whether the automatic block transmission engine is cleared by setting the ABTCLR bit to 1 can be confirmed if the ABTCLR bit is automatically cleared immediately after the processing of the clearing request is completed.
  3. Do not set the ABTTRG bit in the initialization mode. If the ABTTRG bit is set in the initialization mode, the proper operation is not guaranteed after the mode is changed from the initialization mode to the ABT mode.
  4. Do not set the TRQ bit of the ABT message buffers to 1 by software in the normal operation mode with ABT. Otherwise, the operation is not guaranteed.
  5. The COGMABTD register is used to set the delay time that is inserted in the period from completion of the preceding ABT message to setting of the TRQ bit for the next ABT message when the transmission requests are set in the order of message numbers for each message for ABT that is successively transmitted in the ABT mode. The timing at which the messages are actually transmitted onto the CAN bus varies depending on the status of transmission from other stations and the status of the setting of the transmission request for messages other than the ABT messages (message buffers 8 to 31).
  6. If a transmission request is made for a message other than an ABT message and if no delay time is inserted in the interval in which transmission requests for ABT are automatically set (COGMABTD register = 00H), messages other than ABT messages may be transmitted regardless of their priority in regards to the ABT message.
  7. Do not clear the RDY bit to 0 when the ABTTRG bit = 1.
  8. If a message is received from another node in the normal operation mode with ABT, the message may be transmitted after the time of one frame has elapsed even when COGMABTD register = 00H.

**Remark** m = 00 to 31

#### 17.10.4 Transmission abort process

**Remark** m = 00 to 31

##### (1) Transmission abort process other than in normal operation mode with automatic block transmission (ABT)

The user can clear the C0MCTRLm.TRQ bit to 0 to abort a transmission request. The TRQ bit will be cleared immediately if the abort was successful. Whether the transmission was successfully aborted or not can be checked using the C0CTRL.TSTAT bit and the C0TGPT register, which indicate the transmission status on the CAN bus (for details, refer to the processing in **Figure 17-45**).

##### (2) Transmission abort process except for ABT transmission in normal operation mode with automatic block transmission (ABT)

The user can clear the COGMABT.ABTTRG bit to 0 to abort a transmission request. After checking the ABTTRG bit of the COGMABT register = 0, clear the C0MCTRLm.TRQ bit to 0. The TRQ bit will be cleared immediately if the abort was successful. Whether the transmission was successfully aborted or not can be checked by using the C0CTRL.TSTAT bit and the C0TGPT register, which indicate the transmission status on the CAN bus (for details, refer to the process in **Figure 17-46**).



**(3) Transmission abort in normal operation mode with automatic block transmission (ABT)**

To abort ABT that is already started, clear the COGMABT.ABTTRG bit to 0. In this case, the ABTTRG bit remains 1 if an ABT message is currently being transmitted and until the transmission is completed (successfully or not), and is cleared to 0 as soon as transmission is finished. This aborts ABT.

If the last transmission (before ABT) was successful, the normal operation mode with ABT is left with the internal ABT pointer pointing to the next message buffer to be transmitted.

In the case of an erroneous transmission, the position of the internal ABT pointer depends on the status of the TRQ bit in the last transmitted message buffer. If the TRQ bit is set to 1 when clearing the ABTTRG bit is requested, the internal ABT pointer points to the last transmitted message buffer (for details, refer to the process in **Figure 17-47 (a)**). If the TRQ bit is cleared to 0 when clearing the ABTTRG bit is requested, the internal ABT pointer is increased in increments of 1 and indicates the next message buffer in the ABT area (for details, refer to the process in **Figure 17-47 (b)**).

**Caution** Be sure to abort ABT by clearing the ABTTRG bit to 0. The operation is not guaranteed if aborting transmission is requested by clearing RDY.

When the normal operation mode with ABT is resumed after ABT has been aborted and the ABTTRG bit is set to 1, the next ABT message buffer to be transmitted can be determined from the following table.

| Status of TRQ of ABT Message Buffer | Abort After Successful Transmission                 | Abort After Erroneous Transmission                  |
|-------------------------------------|-----------------------------------------------------|-----------------------------------------------------|
| Set (1)                             | Next message buffer in the ABT area <sup>Note</sup> | Same message buffer in the ABT area                 |
| Cleared (0)                         | Next message buffer in the ABT area <sup>Note</sup> | Next message buffer in the ABT area <sup>Note</sup> |

**Note** The above resumption operation can be performed only if a message buffer ready for ABT exists in the ABT area. For example, an abort request that is issued while ABT of message buffer 7 is in progress is regarded as completion of ABT, rather than abort, if transmission of message buffer 7 has been successfully completed, even if the ABTTRG bit is cleared to 0. If the COMCTRLm.RDY bit in the next message buffer in the ABT area is cleared to 0, the internal ABT pointer is retained, but the resumption operation is not performed even if the ABTTRG bit is set to 1, and ABT ends immediately.

**Remark** m = 00 to 31

**17.10.5 Remote frame transmission**

Remote frames can be transmitted only from transmit message buffers. Set whether a data frame or remote frame is transmitted via the COMCONFm.RTR bit. Setting (1) the RTR bit sets remote frame transmission.

**Remark** m = 00 to 31

## 17.11 Power Saving Modes

### 17.11.1 CAN sleep mode

The CAN sleep mode can be used to set the CAN controller to standby mode in order to reduce power consumption. The CAN module can enter the CAN sleep mode from all operation modes. Release of the CAN sleep mode returns the CAN module to exactly the same operation mode from which the CAN sleep mode was entered.

In the CAN sleep mode, the CAN module does not transmit messages, even when transmission requests are issued or pending.

#### (1) Entering CAN sleep mode

The CPU issues a CAN sleep mode transition request by writing 01B to the COCTRL.PSMODE1 and COCTRL.PSMODE0 bits.

This transition request is only acknowledged only under the following conditions.

- (i) The CAN module is already in one of the following operation modes
  - Normal operation mode
  - Normal operation mode with ABT
  - Receive-only mode
  - Single-shot mode
  - Self-test mode
  - CAN stop mode in all the above operation modes
- (ii) The CAN bus state is bus idle (the 4th bit in the interframe space is recessive)<sup>Note</sup>

**Note** If the CAN bus is fixed to dominant, the request for transition to the CAN sleep mode is held pending. Also the transition from CAN stop mode to CAN sleep mode is independent of the CAN bus state.

- (iii) No transmission request is pending

If any one of the conditions mentioned above is not met, the CAN module will operate as follows.

- If the CAN sleep mode is requested from the initialization mode, the CAN sleep mode transition request is ignored and the CAN module remains in the initialization mode.
- If the CAN bus state is not bus idle (i.e., the CAN bus state is either transmitting or receiving) when the CAN sleep mode is requested in one of the operation modes, immediate transition to the CAN sleep mode is not possible. In this case, the CAN sleep mode transition request has to be held pending until the CAN bus state becomes bus idle (the 4th bit in the interframe space is recessive). In the time from the CAN sleep mode request to successful transition, the PSMODE1 and PSMODE0 bits remain 00B. When the module has entered the CAN sleep mode, the PSMODE1 and PSMODE0 bits are set to 01B.
- If a request for transition to the initialization mode and a request for transition to the CAN sleep mode are made at the same time while the CAN module is in one of the operation modes, the request for the initialization mode is enabled. The CAN module enters the initialization mode at a predetermined timing. At this time, the CAN sleep mode request is not held pending and is ignored.
- Even when the initialization mode and sleep mode are not requested simultaneously (i.e the first request was not granted when a second request was made), the request for initialization has priority over the CAN sleep mode request. The CAN sleep mode request is cancelled when the initialization mode is requested. When a pending request for the initialization mode is present, a subsequent request for the CAN sleep mode request is cancelled right at the point in time when it was submitted.

**(2) Status in CAN sleep mode**

The CAN module is in one of the following states after it enters the CAN sleep mode.

- The internal operating clock is stopped and the power consumption is minimized.
- The function to detect the falling edge of the CAN reception pin (CRXD0) remains in effect to wake up the CAN module from the CAN bus.
- To wake up the CAN module from the CPU, data can be written to the PSMODE1 and PSMODE0 bits, but nothing can be written to other CAN0 module registers or bits.
- The CAN0 module registers can be read, except for the C0LIPT, C0RGPT, C0LOPT, and C0TGPT registers.
- The CAN0 message buffer registers cannot be written or read.
- The C0GMCTRL.MBON bit is cleared to 0.
- A request for transition to the initialization mode is not acknowledged and is ignored.

**(3) Releasing CAN sleep mode**

The CAN sleep mode is released by the following events.

- When the CPU writes 00B to the PSMODE1 and PSMODE0 bits
- A falling edge at the CAN reception pin (CRXD0) (i.e. the CAN bus level shifts from recessive to dominant)

- Cautions**
1. **Even if the falling edge belongs to the SOF of a receive message, this message will not be received and stored. If the CPU has turned off the clock to the CAN while the CAN was in sleep mode, later on the CAN sleep mode will not be released and PSMODE1 and PSMODE0 bits will continue to be 01B unless the clock for the CAN is provided again. In addition to this, the receive message will not be received afterwards.**
  2. **If the falling edge is detected on the CAN reception pin (CRXD0) while the CAN clock is supplied, the PSMODE0 bit must be cleared by software (for details, refer to the processing in Figure 17-52).**

After releasing the sleep mode, the CAN module returns to the operation mode from which the CAN sleep mode was requested and the PSMODE1 and PSMODE0 bits are reset to 00B. If the CAN sleep mode is released by a change in the CAN bus state, the C0INTS.CINTS5 bit is set to 1, regardless of the C0IE.CIE bit. After the CAN module is released from the CAN sleep mode, it participates in the CAN bus again by automatically detecting 11 consecutive recessive-level bits on the CAN bus. After releasing the sleep mode and before accessing the message buffer by application again, confirm that C0GMCTRL.MBON bit = 1.

When a request for transition to the initialization mode is made while the CAN module is in the CAN sleep mode, that request is ignored; the CPU has to be released from sleep mode by software first before entering the initialization mode.

**Caution** When the CAN sleep mode is released by an event of the CAN bus, a wakeup interrupt occurs even if the event of the CAN bus occurs immediately after the mode has been changed to the sleep mode. Note that the interrupt can occur at any time.

### 17.11.2 CAN stop mode

The CAN stop mode can be used to set the CAN controller to standby mode to reduce power consumption. The CAN module can enter the CAN stop mode only from the CAN sleep mode. Release of the CAN stop mode puts the CAN module in the CAN sleep mode.

The CAN stop mode can only be released (shifting to CAN sleep mode) by writing 01B to the C0CTRL.PSMODE1 and C0CTRL.PSMODE0 bits and not by a change in the CAN bus state. No message is transmitted even when transmission requests are issued or pending.

#### (1) Entering CAN stop mode

A CAN stop mode transition request is issued by writing 11B to the PSMODE1 and PSMODE0 bits.

A CAN stop mode request is only acknowledged when the CAN module is in the CAN sleep mode. In all other modes, the request is ignored.

**Caution** To set the CAN module to the CAN stop mode, the module must be in the CAN sleep mode. To confirm that the module is in the sleep mode, check that the PSMODE1 and PSMODE0 bits = 01B, and then request the CAN stop mode. If a bus change occurs at the CAN reception pin (CRXD0) while this process is being performed, the CAN sleep mode is automatically released. In this case, the CAN stop mode transition request cannot be acknowledged (when the CAN clock is supplied, however, the PSMODE0 bit must be cleared by software after a bus change occurs at the CAN reception pin (CRXD0)).

#### (2) Status in CAN stop mode

The CAN module is in one of the following states after it enters the CAN stop mode.

- The internal operating clock is stopped and the power consumption is minimized.
- To wake up the CAN module from the CPU, data can be written to the PSMODE1 and PSMODE0 bits, but nothing can be written to other CAN0 module registers or bits.
- The CAN0 module registers can be read, except for the C0LIPT, C0RGPT, C0LOPT, and C0TGPT registers.
- The CAN0 message buffer registers cannot be written or read.
- The C0GMCTRL.MBON bit is cleared to 0.
- An initialization mode transition request is not acknowledged and is ignored.

#### (3) Releasing CAN stop mode

The CAN stop mode can only be released by writing 01B to the PSMODE1 and PSMODE0 bits. After releasing the CAN stop mode, the CAN module enters the CAN sleep mode.

When the initialization mode is requested while the CAN module is in the CAN stop mode, that request is ignored; the CPU has to release the stop mode and subsequently the CAN sleep mode before entering into initialization mode. It is impossible to enter another operation mode directly from the CAN stop mode without entering the CAN sleep mode, the request will be ignored.

### 17.11.3 Example of using power saving modes

In some application systems, it may be necessary to place the CPU in a power saving mode to reduce the power consumption. By using the power saving mode specific to the CAN module and the power saving mode specific to the CPU in combination, the CPU can be woken up from the power saving status by the CAN bus.

Here is an example of using the power saving modes.

First, put the CAN module in the CAN sleep mode (PSMODE1, PSMODE0 bits = 01B). Next, put the CPU in the power saving mode. If an edge transition from recessive to dominant is detected at the CRXD0 signal in this status, the CINTS5 bit in the CAN module is set to 1. If the C0CTRL.CIE5 bit is set to 1, a wakeup interrupt (INTC0WUP) is generated. The CAN module is automatically released from the CAN sleep mode (PSMODE1, PSMODE0 bits = 00B) and returns to normal operation mode (when the CAN clock is supplied, however, the PSMODE0 bit must be cleared by software after a bus change occurs at the CAN reception pin (CRXD0)). The CPU, in response to INTC0WUP, can release its own power saving mode and return to normal operation mode.

To further reduce the power consumption of the CPU, the internal clocks, including that of the CAN module, may be tuned off. In this case, the operating clock supplied to the CAN module is turned off after the CAN module is put in the CAN sleep mode. Then the CPU enters a power saving mode in which the clock supplied to the CPU is turned off. If an edge transition from recessive to dominant is detected at the CRXD0 signal in this status, the CAN module can set the CINTS5 bit to 1 and generate a wakeup interrupt (INTC0WUP) even if it is not supplied with a clock. The other functions, however, do not operate because the clock supply to the CAN module is shut off, and the module remains in the CAN sleep mode. The CPU, in response to INTC0WUP, releases its power saving mode, resumes supply of the internal clocks, including the clock to the CAN module, after oscillation stabilization time has elapsed, and starts instruction execution. The CAN module is immediately released from the CAN sleep mode when the clock supply is resumed, and returns to normal operation mode (PSMODE1, PSMODE0 bits = 00B).

## 17.12 Interrupt Function

The CAN module provides 6 different interrupt sources.

The occurrence of these interrupt sources is stored in interrupt status registers. Four separate interrupt request signals are generated from the six interrupt sources. When an interrupt request signal that corresponds to two or more interrupt sources is generated, the interrupt sources can be identified by using an interrupt status register. After an interrupt source has occurred, the corresponding interrupt status bit must be cleared to 0 by software.

**Table 17-20. List of CAN Module Interrupt Sources**

| No. | Interrupt Status Bit     |          | Interrupt Enable Bit   |          | Interrupt Request Signal | Interrupt Source Description                                      |
|-----|--------------------------|----------|------------------------|----------|--------------------------|-------------------------------------------------------------------|
|     | Name                     | Register | Name                   | Register |                          |                                                                   |
| 1   | CINTS0 <sup>Note 1</sup> | C0INTS   | CIE0 <sup>Note 1</sup> | C0IE     | INTC0TRX                 | Message frame successfully transmitted from message buffer m      |
| 2   | CINTS1 <sup>Note 1</sup> | C0INTS   | CIE1 <sup>Note 1</sup> | C0IE     | INTC0REC                 | Valid message frame reception in message buffer m                 |
| 3   | CINTS2                   | C0INTS   | CIE2                   | C0IE     | INTC0ERR                 | CAN module error state interrupt <sup>Note 2</sup>                |
| 4   | CINTS3                   | C0INTS   | CIE3                   | C0IE     |                          | CAN module protocol error interrupt <sup>Note 3</sup>             |
| 5   | CINTS4                   | C0INTS   | CIE4                   | C0IE     |                          | CAN module arbitration loss interrupt                             |
| 6   | CINTS5                   | C0INTS   | CIE5                   | C0IE     | INTC0WUP                 | CAN module wakeup interrupt from CAN sleep mode <sup>Note 4</sup> |

- Notes**
1. The C0MCTRL.IE bit (message buffer interrupt enable bit) of the corresponding message buffer has to be set to 1 for that message buffer to participate in the interrupt generation process.
  2. This interrupt is generated when the transmission/reception error counter is at the warning level, or in the error passive or bus-off state.
  3. This interrupt is generated when a stuff error, form error, ACK error, bit error, or CRC error occurs.
  4. This interrupt is generated when the CAN module is woken up from the CAN sleep mode because a falling edge is detected at the CAN reception pin (CAN bus transition from recessive to dominant).

**Remark** m = 00 to 31

### 17.13 Diagnosis Functions and Special Operational Modes

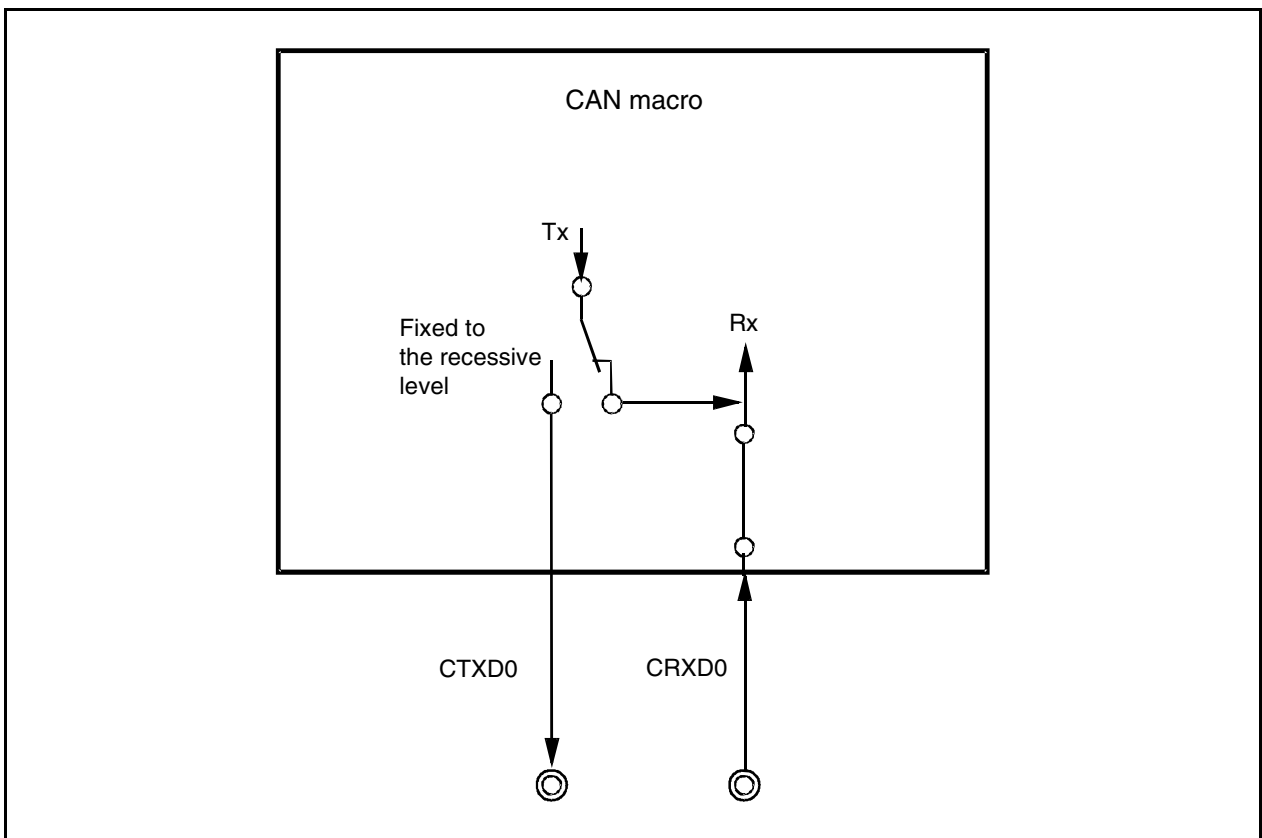
The CAN module provides a receive-only mode, single-shot mode, and self-test mode to support CAN bus diagnosis functions or the operation of special CAN communication methods.

#### 17.13.1 Receive-only mode

The receive-only mode is used to monitor receive messages without causing any interference on the CAN bus and can be used for CAN bus analysis nodes.

For example, this mode can be used for automatic baud-rate detection. The baud rate in the CAN module is changed until “valid reception” is detected, so that the baud rates in the module match (“valid reception” means a message frame has been received in the CAN protocol layer without occurrence of an error and with an appropriate ACK between nodes connected to the CAN bus). A valid reception does not require message frames to be stored in a receive message buffer (data frames) or transmit message buffer (remote frames). The event of valid reception is indicated by setting the C0CTRL.VALID bit (1).

Figure 17-33. CAN Module Terminal Connection in Receive-Only Mode



In the receive-only mode, no message frames can be transmitted from the CAN module to the CAN bus. Transmit requests issued for message buffers defined as transmit message buffers are held pending.

In the receive-only mode, the CAN transmission pin (CTXD0) in the CAN module is fixed to the recessive level. Therefore, no active error flag can be transmitted from the CAN module to the CAN bus even when a CAN bus error is detected while receiving a message frame. Since no transmission can be issued from the CAN module, the transmission error counter the C0ERC.TEC7 to C0ERC.TEC0 bits are never updated. Therefore, a CAN module in the receive-only mode does not enter the bus-off state.

Furthermore, ACK is not returned to the CAN bus in this mode upon the valid reception of a message frame. Internally, the local node recognizes that it has transmitted ACK. An overload frame cannot be transmitted to the CAN bus.

**Caution** If only two CAN nodes are connected to the CAN bus and one of them is operating in the receive-only mode, there is no ACK on the CAN bus. Due to the missing ACK, the transmitting node will transmit an active error flag, and repeat transmitting a message frame. The transmitting node becomes error passive after transmitting the message frame 16 times (assuming that the error counter was 0 in the beginning and no other errors have occurred). When the message frame is transmitted for the 17th time, the transmitting node generates a passive error flag. The receiving node in the receive-only mode detects the first valid message frame at this point, and the VALID bit is set to 1 for the first time.

### 17.13.2 Single-shot mode

In the single-shot mode, automatic re-transmission as defined in the CAN protocol is switched off. (According to the CAN protocol, a message frame transmission that has been aborted by either arbitration loss or error occurrence has to be repeated without control by software.) All other behavior of single shot mode is identical to normal operation mode. Features of single shot mode can not be used in combination with normal mode with ABT.

The single-shot mode disables the re-transmission of an aborted message frame transmission according to the setting of the C0CTRL.AL bit. When the AL bit is cleared to 0, re-transmission upon arbitration loss and upon error occurrence is disabled. If the AL bit is set to 1, re-transmission upon error occurrence is disabled, but re-transmission upon arbitration loss is enabled. As a consequence, the COMCTRLm.TRQ bit in a message buffer defined as a transmit message buffer is cleared to 0 by the following events.

- Successful transmission of the message frame
- Arbitration loss while sending the message frame (AL bit = 0)
- Error occurrence while sending the message frame

The events arbitration loss and error occurrence can be distinguished by checking the C0INTS.CINTS4 and C0INTS.CINTS3 bits, and the type of the error can be identified by reading the C0LEC.LEC2 to C0LEC.LEC0 bits of the register.

Upon successful transmission of the message frame, the transmit completion interrupt the CINTS0 bit of the C0INTS register is set to 1. If the C0IE.CIE0 bit is set to 1 at this time, an interrupt request signal is output.

The single-shot mode can be used when emulating time-triggered communication methods (e.g., TTCAN level 1).

**Caution** The AL bit is only valid in single-shot mode. It does not affect the operation of re-transmission upon arbitration loss in other operation modes.



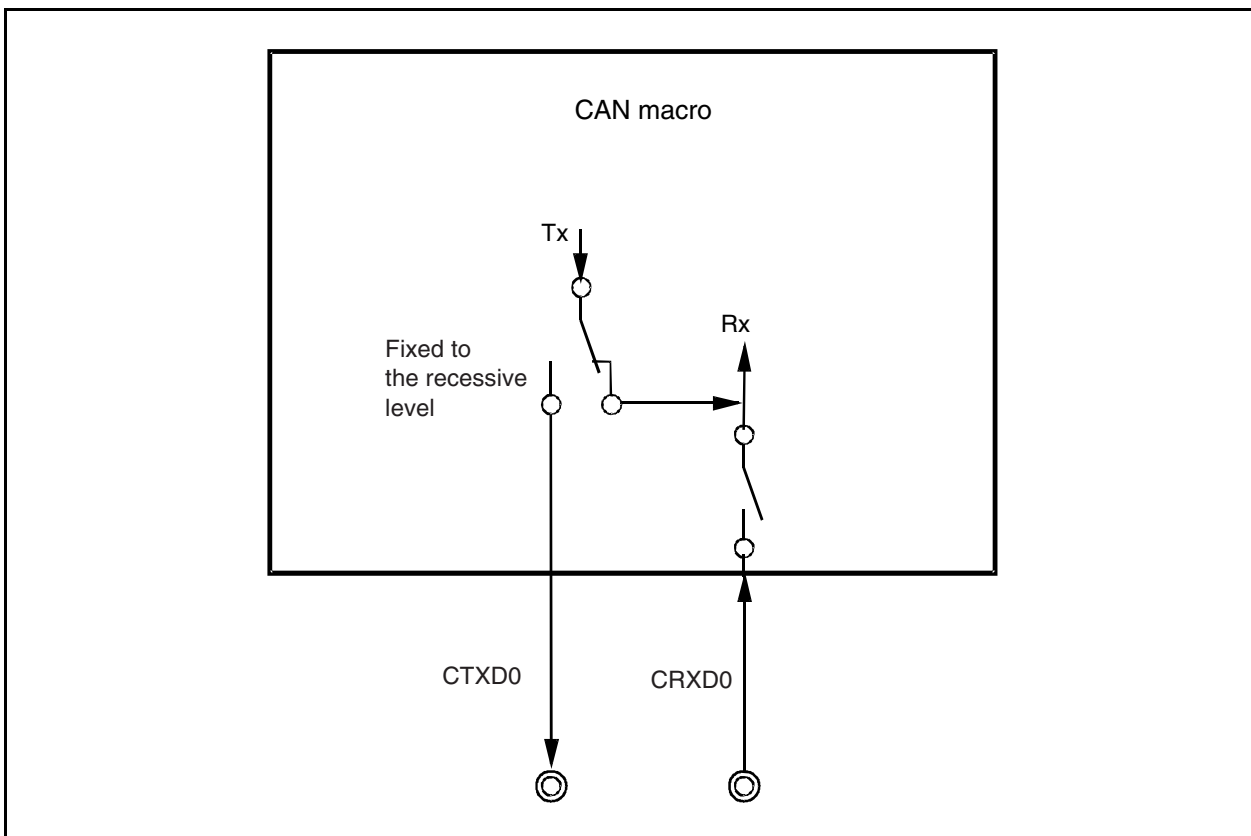
### 17.13.3 Self-test mode

In the self-test mode, message frame transmission and message frame reception can be tested without connecting the CAN node to the CAN bus or without affecting the CAN bus.

In the self-test mode, the CAN module is completely disconnected from the CAN bus, but transmission and reception are internally looped back. The CAN transmission pin (CTXD0) is fixed to the recessive level.

If the falling edge on the CAN reception pin (CRXD0) is detected after the CAN module has entered the CAN sleep mode from the self-test mode, however, the module is released from the CAN sleep mode in the same manner as the other operation modes (when the CAN clock is supplied, however, the PSMODE0 bit must be cleared by software after a bus change occurs at the CAN reception pin (CRXD0)). To keep the module in the CAN sleep mode, use the CAN reception pin (CRXD0) as a port pin.

**Figure 17-34. CAN Module Terminal Connection in Self-Test Mode**



### 17.13.4 Transmission/reception operation in each operation mode

Table 17-21 shows the transmission/reception operation in each operation mode.

**Table 17-21. Overview of Transmission/Reception Operation in Each Operation Mode**

| Operation Mode                    | Data Frame/<br>Remote Frame<br>Transmission | ACK<br>Transmission | Error Frame/<br>Overload Frame<br>Transmission | Retransmission      | Automatic Block<br>Transmission<br>(ABT) | Setting of VALID<br>Bit | Storing Data in<br>Message Buffer |
|-----------------------------------|---------------------------------------------|---------------------|------------------------------------------------|---------------------|------------------------------------------|-------------------------|-----------------------------------|
| Initialization Mode               | –                                           | –                   | –                                              | –                   | –                                        | –                       | –                                 |
| Normal operation mode             | √                                           | √                   | √                                              | √                   | –                                        | √                       | √                                 |
| Normal operation mode<br>with ABT | √                                           | √                   | √                                              | √                   | √                                        | √                       | √                                 |
| Receive-only mode                 | –                                           | –                   | –                                              | –                   | –                                        | √                       | √                                 |
| Single-shot mode                  | √                                           | √                   | √                                              | – <sup>Note 1</sup> | –                                        | √                       | √                                 |
| Self test mode                    | √ <sup>Note 2</sup>                         | √ <sup>Note 2</sup> | √ <sup>Note 2</sup>                            | √ <sup>Note 2</sup> | –                                        | √ <sup>Note 2</sup>     | √ <sup>Note 2</sup>               |

**Notes** 1. If arbitration is lost, retransmission can be selected by the COCTRL.AL bit.

2. Each signal is not output to the external circuit but is internally generated by the CAN module.

## 17.14 Baud Rate Settings

### 17.14.1 Bit rate setting conditions

Make sure that the settings are within the range of limit values for ensuring correct operation of the CAN controller, as follows.

- (a)  $5TQ \leq SPT$  (sampling point)  $\leq 17TQ$   
 $SPT = TSEG1 + 1TQ$
- (b)  $8TQ \leq DBT$  (data bit time)  $\leq 25TQ$   
 $DBT = TSEG1 + TSEG2 + 1TQ = TSEG2 + SPT$
- (c)  $1TQ \leq SJW$  (synchronization jump width)  $\leq 4TQ$   
 $SJW \leq DBT - SPT$
- (d)  $4TQ \leq TSEG1 \leq 16TQ$  [ $3 \leq$  Setting value of TSEG1[3:0]  $\leq 15$ ]
- (e)  $1TQ \leq TSEG2 \leq 8TQ$  [ $0 \leq$  Setting value of TSEG2[2:0]  $\leq 7$ ]

**Remark**  $TQ = 1/f_{TQ}$  ( $f_{TQ}$ : CAN protocol layer base system clock)  
TSEG1[3:0] (C0BTR.TSEG13 to C0BTR.TSEG10 bits)  
TSEG2[2:0] (C0BTR.TSEG22 to C0BTR.TSEG20 bits)

Table 17-22 shows the combinations of bit rates that satisfy the above conditions.

Table 17-22. Settable Bit Rate Combinations (1/3)

| DBT Length | Valid Bit Rate Setting |                 |                   |                   | COBTR Register Setting Value |                     | Sampling Point<br>(Unit %) |
|------------|------------------------|-----------------|-------------------|-------------------|------------------------------|---------------------|----------------------------|
|            | SYNC<br>SEGMENT        | PROP<br>SEGMENT | PHASE<br>SEGMENT1 | PHASE<br>SEGMENT2 | TSEG13 to<br>TSEG10          | TSEG22 to<br>TSEG20 |                            |
| 25         | 1                      | 8               | 8                 | 8                 | 1111                         | 111                 | 68.0                       |
| 24         | 1                      | 7               | 8                 | 8                 | 1110                         | 111                 | 66.7                       |
| 24         | 1                      | 9               | 7                 | 7                 | 1111                         | 110                 | 70.8                       |
| 23         | 1                      | 6               | 8                 | 8                 | 1101                         | 111                 | 65.2                       |
| 23         | 1                      | 8               | 7                 | 7                 | 1110                         | 110                 | 69.6                       |
| 23         | 1                      | 10              | 6                 | 6                 | 1111                         | 101                 | 73.9                       |
| 22         | 1                      | 5               | 8                 | 8                 | 1100                         | 111                 | 63.6                       |
| 22         | 1                      | 7               | 7                 | 7                 | 1101                         | 110                 | 68.2                       |
| 22         | 1                      | 9               | 6                 | 6                 | 1110                         | 101                 | 72.7                       |
| 22         | 1                      | 11              | 5                 | 5                 | 1111                         | 100                 | 77.3                       |
| 21         | 1                      | 4               | 8                 | 8                 | 1011                         | 111                 | 61.9                       |
| 21         | 1                      | 6               | 7                 | 7                 | 1100                         | 110                 | 66.7                       |
| 21         | 1                      | 8               | 6                 | 6                 | 1101                         | 101                 | 71.4                       |
| 21         | 1                      | 10              | 5                 | 5                 | 1110                         | 100                 | 76.2                       |
| 21         | 1                      | 12              | 4                 | 4                 | 1111                         | 011                 | 81.0                       |
| 20         | 1                      | 3               | 8                 | 8                 | 1010                         | 111                 | 60.0                       |
| 20         | 1                      | 5               | 7                 | 7                 | 1011                         | 110                 | 65.0                       |
| 20         | 1                      | 7               | 6                 | 6                 | 1100                         | 101                 | 70.0                       |
| 20         | 1                      | 9               | 5                 | 5                 | 1101                         | 100                 | 75.0                       |
| 20         | 1                      | 11              | 4                 | 4                 | 1110                         | 011                 | 80.0                       |
| 20         | 1                      | 13              | 3                 | 3                 | 1111                         | 010                 | 85.0                       |
| 19         | 1                      | 2               | 8                 | 8                 | 1001                         | 111                 | 57.9                       |
| 19         | 1                      | 4               | 7                 | 7                 | 1010                         | 110                 | 63.2                       |
| 19         | 1                      | 6               | 6                 | 6                 | 1011                         | 101                 | 68.4                       |
| 19         | 1                      | 8               | 5                 | 5                 | 1100                         | 100                 | 73.7                       |
| 19         | 1                      | 10              | 4                 | 4                 | 1101                         | 011                 | 78.9                       |
| 19         | 1                      | 12              | 3                 | 3                 | 1110                         | 010                 | 84.2                       |
| 19         | 1                      | 14              | 2                 | 2                 | 1111                         | 001                 | 89.5                       |
| 18         | 1                      | 1               | 8                 | 8                 | 1000                         | 111                 | 55.6                       |
| 18         | 1                      | 3               | 7                 | 7                 | 1001                         | 110                 | 61.1                       |
| 18         | 1                      | 5               | 6                 | 6                 | 1010                         | 101                 | 66.7                       |
| 18         | 1                      | 7               | 5                 | 5                 | 1011                         | 100                 | 72.2                       |
| 18         | 1                      | 9               | 4                 | 4                 | 1100                         | 011                 | 77.8                       |
| 18         | 1                      | 11              | 3                 | 3                 | 1101                         | 010                 | 83.3                       |
| 18         | 1                      | 13              | 2                 | 2                 | 1110                         | 001                 | 88.9                       |
| 18         | 1                      | 15              | 1                 | 1                 | 1111                         | 000                 | 94.4                       |

Table 17-22. Settable Bit Rate Combinations (2/3)

| DBT Length | Valid Bit Rate Setting |                 |                   |                   | COBTR Register Setting Value |                     | Sampling Point<br>(Unit %) |
|------------|------------------------|-----------------|-------------------|-------------------|------------------------------|---------------------|----------------------------|
|            | SYNC<br>SEGMENT        | PROP<br>SEGMENT | PHASE<br>SEGMENT1 | PHASE<br>SEGMENT2 | TSEG13 to<br>TSEG10          | TSEG22 to<br>TSEG20 |                            |
| 17         | 1                      | 2               | 7                 | 7                 | 1000                         | 110                 | 58.8                       |
| 17         | 1                      | 4               | 6                 | 6                 | 1001                         | 101                 | 64.7                       |
| 17         | 1                      | 6               | 5                 | 5                 | 1010                         | 100                 | 70.6                       |
| 17         | 1                      | 8               | 4                 | 4                 | 1011                         | 011                 | 76.5                       |
| 17         | 1                      | 10              | 3                 | 3                 | 1100                         | 010                 | 82.4                       |
| 17         | 1                      | 12              | 2                 | 2                 | 1101                         | 001                 | 88.2                       |
| 17         | 1                      | 14              | 1                 | 1                 | 1110                         | 000                 | 94.1                       |
| 16         | 1                      | 1               | 7                 | 7                 | 0111                         | 110                 | 56.3                       |
| 16         | 1                      | 3               | 6                 | 6                 | 1000                         | 101                 | 62.5                       |
| 16         | 1                      | 5               | 5                 | 5                 | 1001                         | 100                 | 68.8                       |
| 16         | 1                      | 7               | 4                 | 4                 | 1010                         | 011                 | 75.0                       |
| 16         | 1                      | 9               | 3                 | 3                 | 1011                         | 010                 | 81.3                       |
| 16         | 1                      | 11              | 2                 | 2                 | 1100                         | 001                 | 87.5                       |
| 16         | 1                      | 13              | 1                 | 1                 | 1101                         | 000                 | 93.8                       |
| 15         | 1                      | 2               | 6                 | 6                 | 0111                         | 101                 | 60.0                       |
| 15         | 1                      | 4               | 5                 | 5                 | 1000                         | 100                 | 66.7                       |
| 15         | 1                      | 6               | 4                 | 4                 | 1001                         | 011                 | 73.3                       |
| 15         | 1                      | 8               | 3                 | 3                 | 1010                         | 010                 | 80.0                       |
| 15         | 1                      | 10              | 2                 | 2                 | 1011                         | 001                 | 86.7                       |
| 15         | 1                      | 12              | 1                 | 1                 | 1100                         | 000                 | 93.3                       |
| 14         | 1                      | 1               | 6                 | 6                 | 0110                         | 101                 | 57.1                       |
| 14         | 1                      | 3               | 5                 | 5                 | 0111                         | 100                 | 64.3                       |
| 14         | 1                      | 5               | 4                 | 4                 | 1000                         | 011                 | 71.4                       |
| 14         | 1                      | 7               | 3                 | 3                 | 1001                         | 010                 | 78.6                       |
| 14         | 1                      | 9               | 2                 | 2                 | 1010                         | 001                 | 85.7                       |
| 14         | 1                      | 11              | 1                 | 1                 | 1011                         | 000                 | 92.9                       |
| 13         | 1                      | 2               | 5                 | 5                 | 0110                         | 100                 | 61.5                       |
| 13         | 1                      | 4               | 4                 | 4                 | 0111                         | 011                 | 69.2                       |
| 13         | 1                      | 6               | 3                 | 3                 | 1000                         | 010                 | 76.9                       |
| 13         | 1                      | 8               | 2                 | 2                 | 1001                         | 001                 | 84.6                       |
| 13         | 1                      | 10              | 1                 | 1                 | 1010                         | 000                 | 92.3                       |
| 12         | 1                      | 1               | 5                 | 5                 | 0101                         | 100                 | 58.3                       |
| 12         | 1                      | 3               | 4                 | 4                 | 0110                         | 011                 | 66.7                       |
| 12         | 1                      | 5               | 3                 | 3                 | 0111                         | 010                 | 75.0                       |
| 12         | 1                      | 7               | 2                 | 2                 | 1000                         | 001                 | 83.3                       |
| 12         | 1                      | 9               | 1                 | 1                 | 1001                         | 000                 | 91.7                       |

Table 17-22. Settable Bit Rate Combinations (3/3)

| DBT Length        | Valid Bit Rate Setting |                 |                   |                   | COBTR Register Setting Value |                     | Sampling Point<br>(Unit %) |
|-------------------|------------------------|-----------------|-------------------|-------------------|------------------------------|---------------------|----------------------------|
|                   | SYNC<br>SEGMENT        | PROP<br>SEGMENT | PHASE<br>SEGMENT1 | PHASE<br>SEGMENT2 | TSEG13 to<br>TSEG10          | TSEG22 to<br>TSEG20 |                            |
| 11                | 1                      | 2               | 4                 | 4                 | 0101                         | 011                 | 63.6                       |
| 11                | 1                      | 4               | 3                 | 3                 | 0110                         | 010                 | 72.7                       |
| 11                | 1                      | 6               | 2                 | 2                 | 0111                         | 001                 | 81.8                       |
| 11                | 1                      | 8               | 1                 | 1                 | 1000                         | 000                 | 90.9                       |
| 10                | 1                      | 1               | 4                 | 4                 | 0100                         | 011                 | 60.0                       |
| 10                | 1                      | 3               | 3                 | 3                 | 0101                         | 010                 | 70.0                       |
| 10                | 1                      | 5               | 2                 | 2                 | 0110                         | 001                 | 80.0                       |
| 10                | 1                      | 7               | 1                 | 1                 | 0111                         | 000                 | 90.0                       |
| 9                 | 1                      | 2               | 3                 | 3                 | 0100                         | 010                 | 66.7                       |
| 9                 | 1                      | 4               | 2                 | 2                 | 0101                         | 001                 | 77.8                       |
| 9                 | 1                      | 6               | 1                 | 1                 | 0110                         | 000                 | 88.9                       |
| 8                 | 1                      | 1               | 3                 | 3                 | 0011                         | 010                 | 62.5                       |
| 8                 | 1                      | 3               | 2                 | 2                 | 0100                         | 001                 | 75.0                       |
| 8                 | 1                      | 5               | 1                 | 1                 | 0101                         | 000                 | 87.5                       |
| 7 <sup>Note</sup> | 1                      | 2               | 2                 | 2                 | 0011                         | 001                 | 71.4                       |
| 7 <sup>Note</sup> | 1                      | 4               | 1                 | 1                 | 0100                         | 000                 | 85.7                       |
| 6 <sup>Note</sup> | 1                      | 1               | 2                 | 2                 | 0010                         | 001                 | 66.7                       |
| 6 <sup>Note</sup> | 1                      | 3               | 1                 | 1                 | 0011                         | 000                 | 83.3                       |
| 5 <sup>Note</sup> | 1                      | 2               | 1                 | 1                 | 0010                         | 000                 | 80.0                       |
| 4 <sup>Note</sup> | 1                      | 1               | 1                 | 1                 | 0001                         | 000                 | 75.0                       |

**Note** Setting with a DBT value of 7 or less is valid only when the value of the COBRP register is other than 00H.

**Caution** The values in Table 17-22 do not guarantee the operation of the network system. Thoroughly check the effect on the network system, taking into consideration oscillation errors and delays of the CAN bus and CAN transceiver.

## 17.14.2 Representative examples of baud rate settings

Tables 17-23 and 17-24 show representative examples of baud rate settings.

**Table 17-23. Representative Examples of Baud Rate Settings ( $f_{CANMOD} = 8\text{ MHz}$ ) (1/2)**

| Set Baud Rate Value (Unit: kbps) | Division Ratio of COBRP Register | COBRP Register Set Value | Valid Bit Rate Setting (Unit: kbps) |              |              |                |                | COBTR Register Setting Value |                  | Sampling Point (Unit: %) |
|----------------------------------|----------------------------------|--------------------------|-------------------------------------|--------------|--------------|----------------|----------------|------------------------------|------------------|--------------------------|
|                                  |                                  |                          | Length of DBT                       | SYNC SEGMENT | PROP SEGMENT | PHASE SEGMENT1 | PHASE SEGMENT2 | TSEG13 to TSEG10             | TSEG22 to TSEG20 |                          |
| 1000                             | 1                                | 00000000                 | 8                                   | 1            | 1            | 3              | 3              | 0011                         | 010              | 62.5                     |
| 1000                             | 1                                | 00000000                 | 8                                   | 1            | 3            | 2              | 2              | 0100                         | 001              | 75.0                     |
| 1000                             | 1                                | 00000000                 | 8                                   | 1            | 5            | 1              | 1              | 0101                         | 000              | 87.5                     |
| 500                              | 1                                | 00000000                 | 16                                  | 1            | 1            | 7              | 7              | 0111                         | 110              | 56.3                     |
| 500                              | 1                                | 00000000                 | 16                                  | 1            | 3            | 6              | 6              | 1000                         | 101              | 62.5                     |
| 500                              | 1                                | 00000000                 | 16                                  | 1            | 5            | 5              | 5              | 1001                         | 100              | 68.8                     |
| 500                              | 1                                | 00000000                 | 16                                  | 1            | 7            | 4              | 4              | 1010                         | 011              | 75.0                     |
| 500                              | 1                                | 00000000                 | 16                                  | 1            | 9            | 3              | 3              | 1011                         | 010              | 81.3                     |
| 500                              | 1                                | 00000000                 | 16                                  | 1            | 11           | 2              | 2              | 1100                         | 001              | 87.5                     |
| 500                              | 1                                | 00000000                 | 16                                  | 1            | 13           | 1              | 1              | 1101                         | 000              | 93.8                     |
| 500                              | 2                                | 00000001                 | 8                                   | 1            | 1            | 3              | 3              | 0011                         | 010              | 62.5                     |
| 500                              | 2                                | 00000001                 | 8                                   | 1            | 3            | 2              | 2              | 0100                         | 001              | 75.0                     |
| 500                              | 2                                | 00000001                 | 8                                   | 1            | 5            | 1              | 1              | 0101                         | 000              | 87.5                     |
| 250                              | 2                                | 00000001                 | 16                                  | 1            | 1            | 7              | 7              | 0111                         | 110              | 56.3                     |
| 250                              | 2                                | 00000001                 | 16                                  | 1            | 3            | 6              | 6              | 1000                         | 101              | 62.5                     |
| 250                              | 2                                | 00000001                 | 16                                  | 1            | 5            | 5              | 5              | 1001                         | 100              | 68.8                     |
| 250                              | 2                                | 00000001                 | 16                                  | 1            | 7            | 4              | 4              | 1010                         | 011              | 75.0                     |
| 250                              | 2                                | 00000001                 | 16                                  | 1            | 9            | 3              | 3              | 1011                         | 010              | 81.3                     |
| 250                              | 2                                | 00000001                 | 16                                  | 1            | 11           | 2              | 2              | 1100                         | 001              | 87.5                     |
| 250                              | 2                                | 00000001                 | 16                                  | 1            | 13           | 1              | 1              | 1101                         | 000              | 93.8                     |
| 250                              | 4                                | 00000011                 | 8                                   | 1            | 3            | 2              | 2              | 0100                         | 001              | 75.0                     |
| 250                              | 4                                | 00000011                 | 8                                   | 1            | 5            | 1              | 1              | 0101                         | 000              | 87.5                     |
| 125                              | 4                                | 00000011                 | 16                                  | 1            | 1            | 7              | 7              | 0111                         | 110              | 56.3                     |
| 125                              | 4                                | 00000011                 | 16                                  | 1            | 3            | 6              | 6              | 1000                         | 101              | 62.5                     |
| 125                              | 4                                | 00000011                 | 16                                  | 1            | 5            | 5              | 5              | 1001                         | 100              | 68.8                     |
| 125                              | 4                                | 00000011                 | 16                                  | 1            | 7            | 4              | 4              | 1010                         | 011              | 75.0                     |
| 125                              | 4                                | 00000011                 | 16                                  | 1            | 9            | 3              | 3              | 1011                         | 010              | 81.3                     |
| 125                              | 4                                | 00000011                 | 16                                  | 1            | 11           | 2              | 2              | 1100                         | 001              | 87.5                     |
| 125                              | 4                                | 00000011                 | 16                                  | 1            | 13           | 1              | 1              | 1101                         | 000              | 93.8                     |
| 125                              | 8                                | 00000111                 | 8                                   | 1            | 3            | 2              | 2              | 0100                         | 001              | 75.0                     |
| 125                              | 8                                | 00000111                 | 8                                   | 1            | 5            | 1              | 1              | 0101                         | 000              | 87.5                     |

**Caution** The values in Table 17-23 do not guarantee the operation of the network system. Thoroughly check the effect on the network system, taking into consideration oscillation errors and delays of the CAN bus and CAN transceiver.

Table 17-23. Representative Examples of Baud Rate Settings (f<sub>CANMOD</sub> = 8 MHz) (2/2)

| Set Baud Rate Value (Unit: kbps) | Division Ratio of COBRP Register | COBRP Register Set Value | Valid Bit Rate Setting (Unit: kbps) |              |              |                |                | COBTR Register Setting Value |                  | Sampling Point (Unit: %) |
|----------------------------------|----------------------------------|--------------------------|-------------------------------------|--------------|--------------|----------------|----------------|------------------------------|------------------|--------------------------|
|                                  |                                  |                          | Length of DBT                       | SYNC SEGMENT | PROP SEGMENT | PHASE SEGMENT1 | PHASE SEGMENT2 | TSEG13 to TSEG10             | TSEG22 to TSEG20 |                          |
| 100                              | 4                                | 00000011                 | 20                                  | 1            | 7            | 6              | 6              | 1100                         | 101              | 70.0                     |
| 100                              | 4                                | 00000011                 | 20                                  | 1            | 9            | 5              | 5              | 1101                         | 100              | 75.0                     |
| 100                              | 5                                | 00000100                 | 16                                  | 1            | 7            | 4              | 4              | 1010                         | 011              | 75.0                     |
| 100                              | 5                                | 00000100                 | 16                                  | 1            | 9            | 3              | 3              | 1011                         | 010              | 81.3                     |
| 100                              | 8                                | 00000111                 | 10                                  | 1            | 3            | 3              | 3              | 0101                         | 010              | 70.0                     |
| 100                              | 8                                | 00000111                 | 10                                  | 1            | 5            | 2              | 2              | 0110                         | 001              | 80.0                     |
| 100                              | 10                               | 00001001                 | 8                                   | 1            | 3            | 2              | 2              | 0100                         | 001              | 75.0                     |
| 100                              | 10                               | 00001001                 | 8                                   | 1            | 5            | 1              | 1              | 0101                         | 000              | 87.5                     |
| 83.3                             | 4                                | 00000011                 | 24                                  | 1            | 7            | 8              | 8              | 1110                         | 111              | 66.7                     |
| 83.3                             | 4                                | 00000011                 | 24                                  | 1            | 9            | 7              | 7              | 1111                         | 110              | 70.8                     |
| 83.3                             | 6                                | 00000101                 | 16                                  | 1            | 5            | 5              | 5              | 1001                         | 100              | 68.8                     |
| 83.3                             | 6                                | 00000101                 | 16                                  | 1            | 7            | 4              | 4              | 1010                         | 011              | 75.0                     |
| 83.3                             | 6                                | 00000101                 | 16                                  | 1            | 9            | 3              | 3              | 1011                         | 010              | 81.3                     |
| 83.3                             | 6                                | 00000101                 | 16                                  | 1            | 11           | 2              | 2              | 1100                         | 001              | 87.5                     |
| 83.3                             | 8                                | 00000111                 | 12                                  | 1            | 5            | 3              | 3              | 0111                         | 010              | 75.0                     |
| 83.3                             | 8                                | 00000111                 | 12                                  | 1            | 7            | 2              | 2              | 1000                         | 001              | 83.3                     |
| 83.3                             | 12                               | 00001011                 | 8                                   | 1            | 3            | 2              | 2              | 0100                         | 001              | 75.0                     |
| 83.3                             | 12                               | 00001011                 | 8                                   | 1            | 5            | 1              | 1              | 0101                         | 000              | 87.5                     |
| 33.3                             | 10                               | 00001001                 | 24                                  | 1            | 7            | 8              | 8              | 1110                         | 111              | 66.7                     |
| 33.3                             | 10                               | 00001001                 | 24                                  | 1            | 9            | 7              | 7              | 1111                         | 110              | 70.8                     |
| 33.3                             | 12                               | 00001011                 | 20                                  | 1            | 7            | 6              | 6              | 1100                         | 101              | 70.0                     |
| 33.3                             | 12                               | 00001011                 | 20                                  | 1            | 9            | 5              | 5              | 1101                         | 100              | 75.0                     |
| 33.3                             | 15                               | 00001110                 | 16                                  | 1            | 7            | 4              | 4              | 1010                         | 011              | 75.0                     |
| 33.3                             | 15                               | 00001110                 | 16                                  | 1            | 9            | 3              | 3              | 1011                         | 010              | 81.3                     |
| 33.3                             | 16                               | 00001111                 | 15                                  | 1            | 6            | 4              | 4              | 1001                         | 011              | 73.3                     |
| 33.3                             | 16                               | 00001111                 | 15                                  | 1            | 8            | 3              | 3              | 1010                         | 010              | 80.0                     |
| 33.3                             | 20                               | 00010011                 | 12                                  | 1            | 5            | 3              | 3              | 0111                         | 010              | 75.0                     |
| 33.3                             | 20                               | 00010011                 | 12                                  | 1            | 7            | 2              | 2              | 1000                         | 001              | 83.3                     |
| 33.3                             | 24                               | 00010111                 | 10                                  | 1            | 3            | 3              | 3              | 0101                         | 010              | 70.0                     |
| 33.3                             | 24                               | 00010111                 | 10                                  | 1            | 5            | 2              | 2              | 0110                         | 001              | 80.0                     |
| 33.3                             | 30                               | 00011101                 | 8                                   | 1            | 3            | 2              | 2              | 0100                         | 001              | 75.0                     |
| 33.3                             | 30                               | 00011101                 | 8                                   | 1            | 5            | 1              | 1              | 0101                         | 000              | 87.5                     |

**Caution** The values in Table 17-23 do not guarantee the operation of the network system. Thoroughly check the effect on the network system, taking into consideration oscillation errors and delays of the CAN bus and CAN transceiver.



Table 17-24. Representative Examples of Baud Rate Settings ( $f_{CANMOD} = 16 \text{ MHz}$ ) (1/2)

| Set Baud Rate Value (Unit: kbps) | Division Ratio of COBRP Register | COBRP Register Set Value | Valid Bit Rate Setting (Unit: kbps) |              |              |                |                | COBTR Register Setting Value |                  | Sampling Point (Unit: %) |
|----------------------------------|----------------------------------|--------------------------|-------------------------------------|--------------|--------------|----------------|----------------|------------------------------|------------------|--------------------------|
|                                  |                                  |                          | Length of DBT                       | SYNC SEGMENT | PROP SEGMENT | PHASE SEGMENT1 | PHASE SEGMENT2 | TSEG13 to TSEG10             | TSEG22 to TSEG20 |                          |
| 1000                             | 1                                | 00000000                 | 16                                  | 1            | 1            | 7              | 7              | 0111                         | 110              | 56.3                     |
| 1000                             | 1                                | 00000000                 | 16                                  | 1            | 3            | 6              | 6              | 1000                         | 101              | 62.5                     |
| 1000                             | 1                                | 00000000                 | 16                                  | 1            | 5            | 5              | 5              | 1001                         | 100              | 68.8                     |
| 1000                             | 1                                | 00000000                 | 16                                  | 1            | 7            | 4              | 4              | 1010                         | 011              | 75.0                     |
| 1000                             | 1                                | 00000000                 | 16                                  | 1            | 9            | 3              | 3              | 1011                         | 010              | 81.3                     |
| 1000                             | 1                                | 00000000                 | 16                                  | 1            | 11           | 2              | 2              | 1100                         | 001              | 87.5                     |
| 1000                             | 1                                | 00000000                 | 16                                  | 1            | 13           | 1              | 1              | 1101                         | 000              | 93.8                     |
| 1000                             | 2                                | 00000001                 | 8                                   | 1            | 3            | 2              | 2              | 0100                         | 001              | 75.0                     |
| 1000                             | 2                                | 00000001                 | 8                                   | 1            | 5            | 1              | 1              | 0101                         | 000              | 87.5                     |
| 500                              | 2                                | 00000001                 | 16                                  | 1            | 1            | 7              | 7              | 0111                         | 110              | 56.3                     |
| 500                              | 2                                | 00000001                 | 16                                  | 1            | 3            | 6              | 6              | 1000                         | 101              | 62.5                     |
| 500                              | 2                                | 00000001                 | 16                                  | 1            | 5            | 5              | 5              | 1001                         | 100              | 68.8                     |
| 500                              | 2                                | 00000001                 | 16                                  | 1            | 7            | 4              | 4              | 1010                         | 011              | 75.0                     |
| 500                              | 2                                | 00000001                 | 16                                  | 1            | 9            | 3              | 3              | 1011                         | 010              | 81.3                     |
| 500                              | 2                                | 00000001                 | 16                                  | 1            | 11           | 2              | 2              | 1100                         | 001              | 87.5                     |
| 500                              | 2                                | 00000001                 | 16                                  | 1            | 13           | 1              | 1              | 1101                         | 000              | 93.8                     |
| 500                              | 4                                | 00000011                 | 8                                   | 1            | 3            | 2              | 2              | 0100                         | 001              | 75.0                     |
| 500                              | 4                                | 00000011                 | 8                                   | 1            | 5            | 1              | 1              | 0101                         | 000              | 87.5                     |
| 250                              | 4                                | 00000011                 | 16                                  | 1            | 3            | 6              | 6              | 1000                         | 101              | 62.5                     |
| 250                              | 4                                | 00000011                 | 16                                  | 1            | 5            | 5              | 5              | 1001                         | 100              | 68.8                     |
| 250                              | 4                                | 00000011                 | 16                                  | 1            | 7            | 4              | 4              | 1010                         | 011              | 75.0                     |
| 250                              | 4                                | 00000011                 | 16                                  | 1            | 9            | 3              | 3              | 1011                         | 010              | 81.3                     |
| 250                              | 4                                | 00000011                 | 16                                  | 1            | 11           | 2              | 2              | 1100                         | 001              | 87.5                     |
| 250                              | 8                                | 00000111                 | 8                                   | 1            | 3            | 2              | 2              | 0100                         | 001              | 75.0                     |
| 250                              | 8                                | 00000111                 | 8                                   | 1            | 5            | 1              | 1              | 0101                         | 000              | 87.5                     |
| 125                              | 8                                | 00000111                 | 16                                  | 1            | 3            | 6              | 6              | 1000                         | 101              | 62.5                     |
| 125                              | 8                                | 00000111                 | 16                                  | 1            | 7            | 4              | 4              | 1010                         | 011              | 75.0                     |
| 125                              | 8                                | 00000111                 | 16                                  | 1            | 9            | 3              | 3              | 1011                         | 010              | 81.3                     |
| 125                              | 8                                | 00000111                 | 16                                  | 1            | 11           | 2              | 2              | 1100                         | 001              | 87.5                     |
| 125                              | 16                               | 00001111                 | 8                                   | 1            | 3            | 2              | 2              | 0100                         | 001              | 75.0                     |
| 125                              | 16                               | 00001111                 | 8                                   | 1            | 5            | 1              | 1              | 0101                         | 000              | 87.5                     |

**Caution** The values in Table 17-24 do not guarantee the operation of the network system. Thoroughly check the effect on the network system, taking into consideration oscillation errors and delays of the CAN bus and CAN transceiver.

Table 17-24. Representative Examples of Baud Rate Settings ( $f_{CANMOD} = 16 \text{ MHz}$ ) (2/2)

| Set Baud Rate Value (Unit: kbps) | Division Ratio of COBRP Register | COBRP Register Set Value | Valid Bit Rate Setting (Unit: kbps) |              |              |                |                | COBTR Register Setting Value |                  | Sampling Point (Unit: %) |
|----------------------------------|----------------------------------|--------------------------|-------------------------------------|--------------|--------------|----------------|----------------|------------------------------|------------------|--------------------------|
|                                  |                                  |                          | Length of DBT                       | SYNC SEGMENT | PROP SEGMENT | PHASE SEGMENT1 | PHASE SEGMENT2 | TSEG13 to TSEG10             | TSEG22 to TSEG20 |                          |
| 100                              | 8                                | 00000111                 | 20                                  | 1            | 9            | 5              | 5              | 1101                         | 100              | 75.0                     |
| 100                              | 8                                | 00000111                 | 20                                  | 1            | 11           | 4              | 4              | 1110                         | 011              | 80.0                     |
| 100                              | 10                               | 00001001                 | 16                                  | 1            | 7            | 4              | 4              | 1010                         | 011              | 75.0                     |
| 100                              | 10                               | 00001001                 | 16                                  | 1            | 9            | 3              | 3              | 1011                         | 010              | 81.3                     |
| 100                              | 16                               | 00001111                 | 10                                  | 1            | 3            | 3              | 3              | 0101                         | 010              | 70.0                     |
| 100                              | 16                               | 00001111                 | 10                                  | 1            | 5            | 2              | 2              | 0110                         | 001              | 80.0                     |
| 100                              | 20                               | 00010011                 | 8                                   | 1            | 3            | 2              | 2              | 0100                         | 001              | 75.0                     |
| 83.3                             | 8                                | 00000111                 | 24                                  | 1            | 7            | 8              | 8              | 1110                         | 111              | 66.7                     |
| 83.3                             | 8                                | 00000111                 | 24                                  | 1            | 9            | 7              | 7              | 1111                         | 110              | 70.8                     |
| 83.3                             | 12                               | 00001011                 | 16                                  | 1            | 7            | 4              | 4              | 1010                         | 011              | 75.0                     |
| 83.3                             | 12                               | 00001011                 | 16                                  | 1            | 9            | 3              | 3              | 1011                         | 010              | 81.3                     |
| 83.3                             | 12                               | 00001011                 | 16                                  | 1            | 11           | 2              | 2              | 1100                         | 001              | 87.5                     |
| 83.3                             | 16                               | 00001111                 | 12                                  | 1            | 5            | 3              | 3              | 0111                         | 010              | 75.0                     |
| 83.3                             | 16                               | 00001111                 | 12                                  | 1            | 7            | 2              | 2              | 1000                         | 001              | 83.3                     |
| 83.3                             | 24                               | 00010111                 | 8                                   | 1            | 3            | 2              | 2              | 0100                         | 001              | 75.0                     |
| 83.3                             | 24                               | 00010111                 | 8                                   | 1            | 5            | 1              | 1              | 0101                         | 000              | 87.5                     |
| 33.3                             | 30                               | 00011101                 | 24                                  | 1            | 7            | 8              | 8              | 1110                         | 111              | 66.7                     |
| 33.3                             | 30                               | 00011101                 | 24                                  | 1            | 9            | 7              | 7              | 1111                         | 110              | 70.8                     |
| 33.3                             | 24                               | 00010111                 | 20                                  | 1            | 9            | 5              | 5              | 1101                         | 100              | 75.0                     |
| 33.3                             | 24                               | 00010111                 | 20                                  | 1            | 11           | 4              | 4              | 1110                         | 011              | 80.0                     |
| 33.3                             | 30                               | 00011101                 | 16                                  | 1            | 7            | 4              | 4              | 1010                         | 011              | 75.0                     |
| 33.3                             | 30                               | 00011101                 | 16                                  | 1            | 9            | 3              | 3              | 1011                         | 010              | 81.3                     |
| 33.3                             | 32                               | 00011111                 | 15                                  | 1            | 8            | 3              | 3              | 1010                         | 010              | 80.0                     |
| 33.3                             | 32                               | 00011111                 | 15                                  | 1            | 10           | 2              | 2              | 1011                         | 001              | 86.7                     |
| 33.3                             | 37                               | 00100100                 | 13                                  | 1            | 6            | 3              | 3              | 1000                         | 010              | 76.9                     |
| 33.3                             | 37                               | 00100100                 | 13                                  | 1            | 8            | 2              | 2              | 1001                         | 001              | 84.6                     |
| 33.3                             | 40                               | 00100111                 | 12                                  | 1            | 5            | 3              | 3              | 0111                         | 010              | 75.0                     |
| 33.3                             | 40                               | 00100111                 | 12                                  | 1            | 7            | 2              | 2              | 1000                         | 001              | 83.3                     |
| 33.3                             | 48                               | 00101111                 | 10                                  | 1            | 3            | 3              | 3              | 0101                         | 010              | 70.0                     |
| 33.3                             | 48                               | 00101111                 | 10                                  | 1            | 5            | 2              | 2              | 0110                         | 001              | 80.0                     |
| 33.3                             | 60                               | 00111011                 | 8                                   | 1            | 3            | 2              | 2              | 0100                         | 001              | 75.0                     |
| 33.3                             | 60                               | 00111011                 | 8                                   | 1            | 5            | 1              | 1              | 0101                         | 000              | 87.5                     |

**Caution** The values in Table 17-24 do not guarantee the operation of the network system. Thoroughly check the effect on the network system, taking into consideration oscillation errors and delays of the CAN bus and CAN transceiver.

## 17.15 Operation of CAN Controller

The processing procedure shown below is recommended to operate the CAN controller. Develop your program by referring to this recommended processing procedure.

**Remark** m = 00 to 31

**Figure 17-35. Initialization**

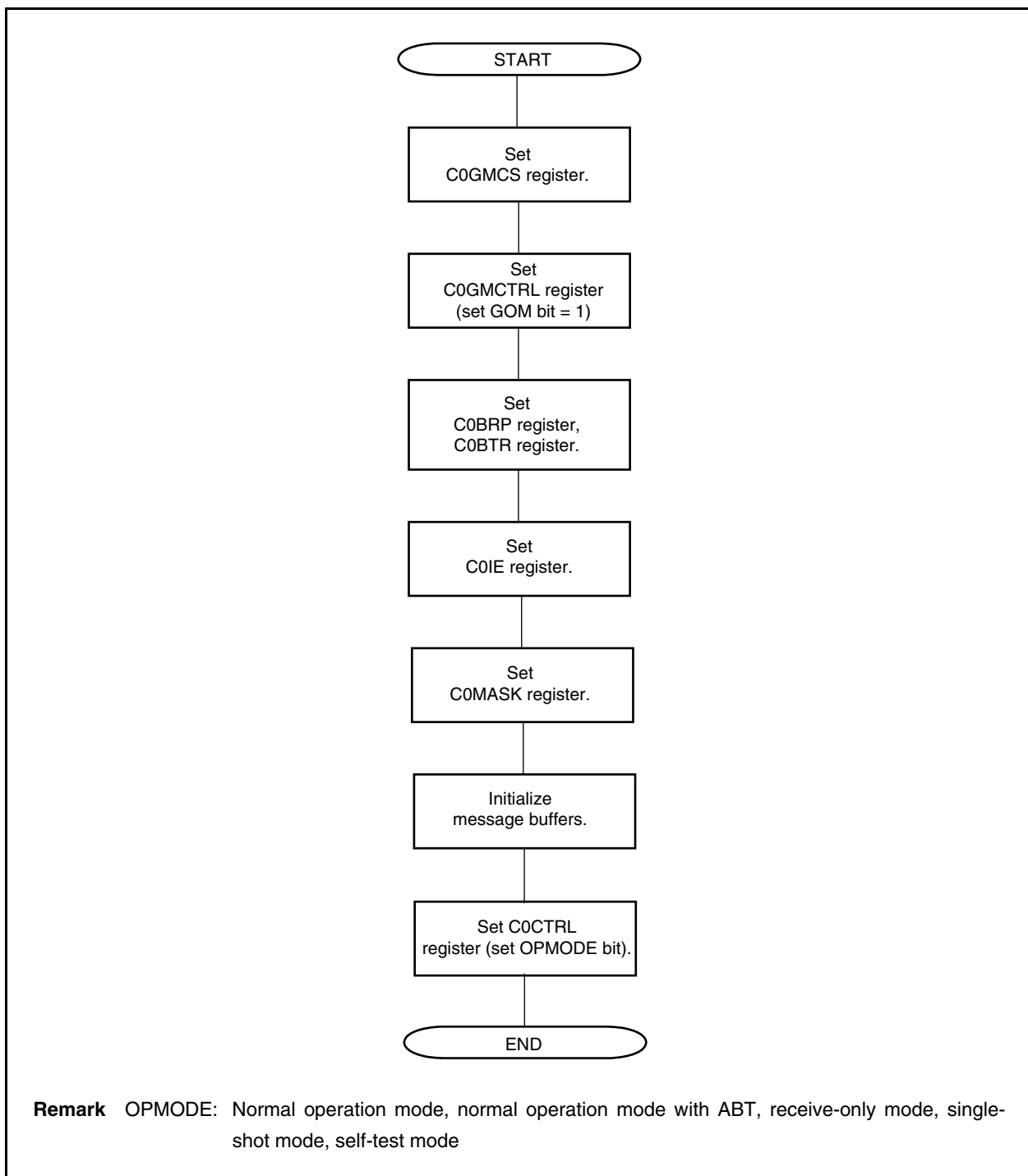
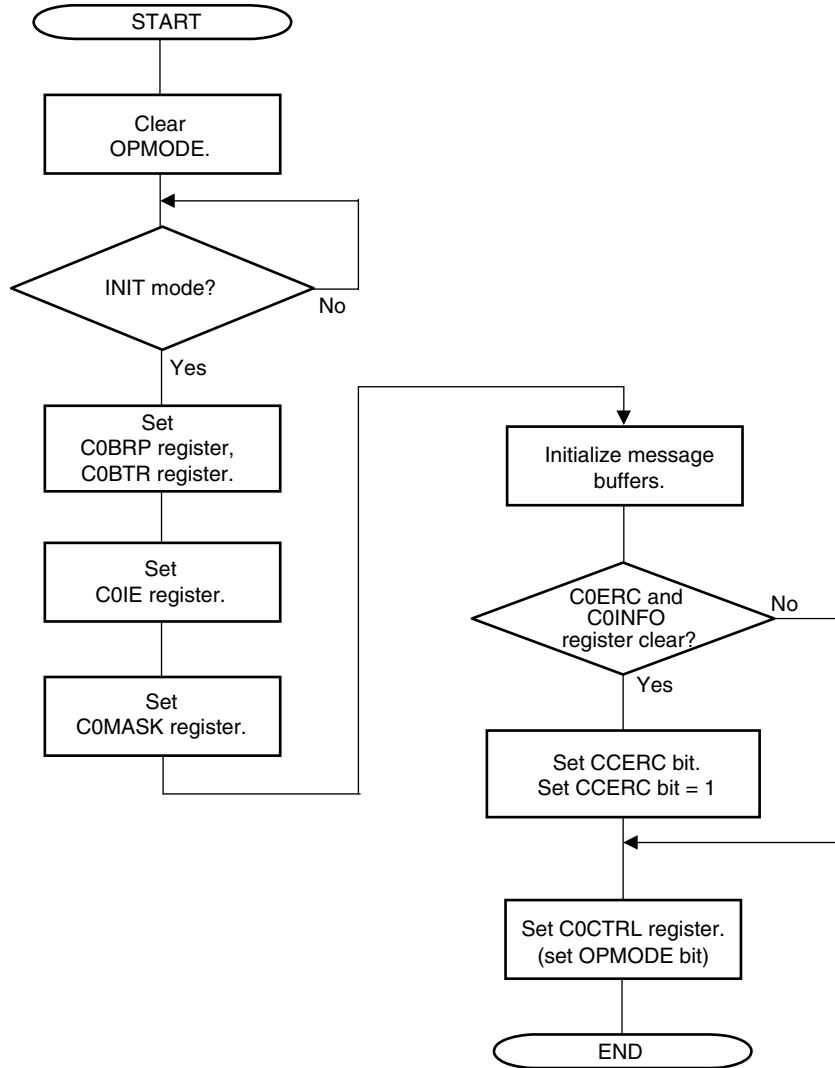


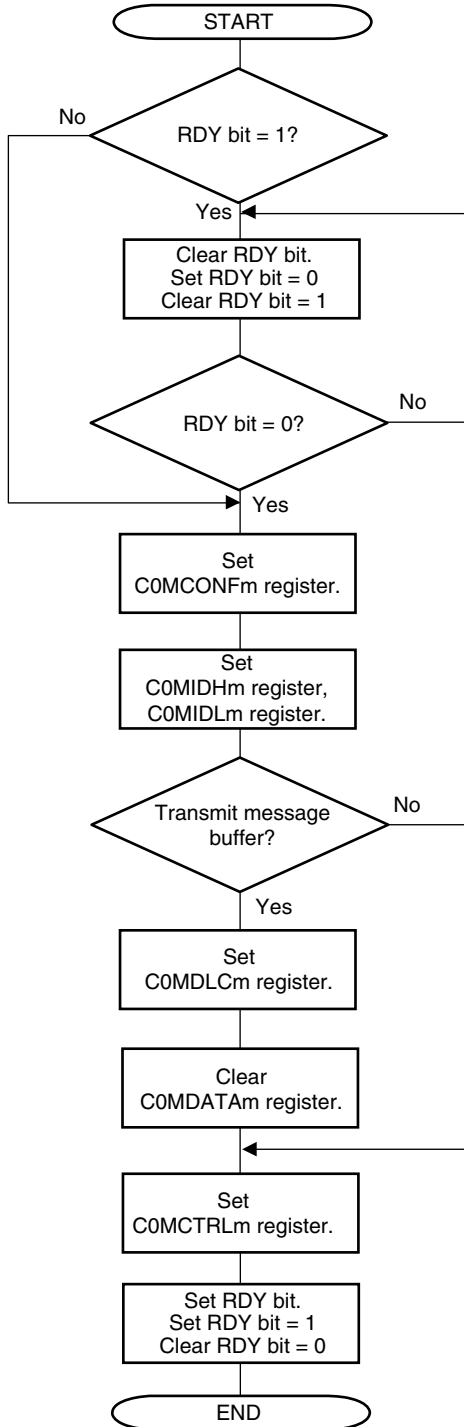
Figure 17-36. Re-initialization



**Caution** After setting the CAN module to the initialization mode, avoid setting the module to another operation mode immediately after. If it is necessary to immediately set the module to another operation mode, be sure to access registers other than the COCTRL and COGMCTRL registers (e.g., set a message buffer).

**Remark** OPMODE: Normal operation mode, normal operation mode with ABT, receive-only mode, single-shot mode, self-test mode

Figure 17-37. Message Buffer Initialization



- Cautions**
1. Before a message buffer is initialized, the RDY bit must be cleared.
  2. Make the following settings for message buffers not used by the application.
    - Clear the COMCTRLm.RDY, COMCTRLm.TRQ, and COMCTRLm.DN bits to 0.
    - Clear the COMCONFm.MA0 bit to 0.

Figure 17-38 shows the processing for a receive message buffer (COMCONFm.MT2 to COMCONFm.MT0 bits = 001B to 101B).

**Figure 17-38. Message Buffer Redefinition**

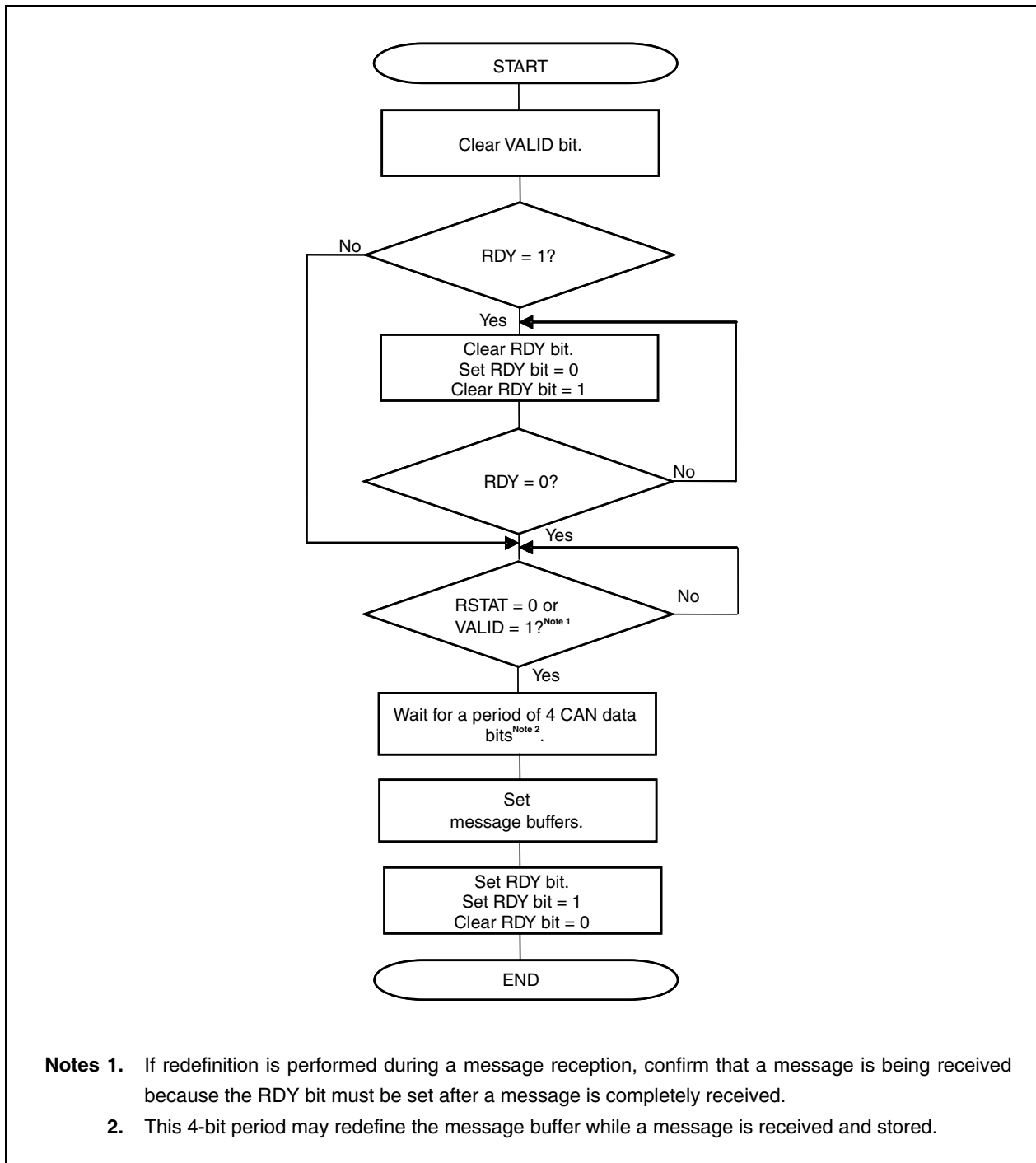


Figure 17-39 shows the processing for a transmit message buffer during transmission (MT2 to MT0 bits of COMCONFm register = 000B).

Figure 17-39. Message Buffer Redefinition during Transmission

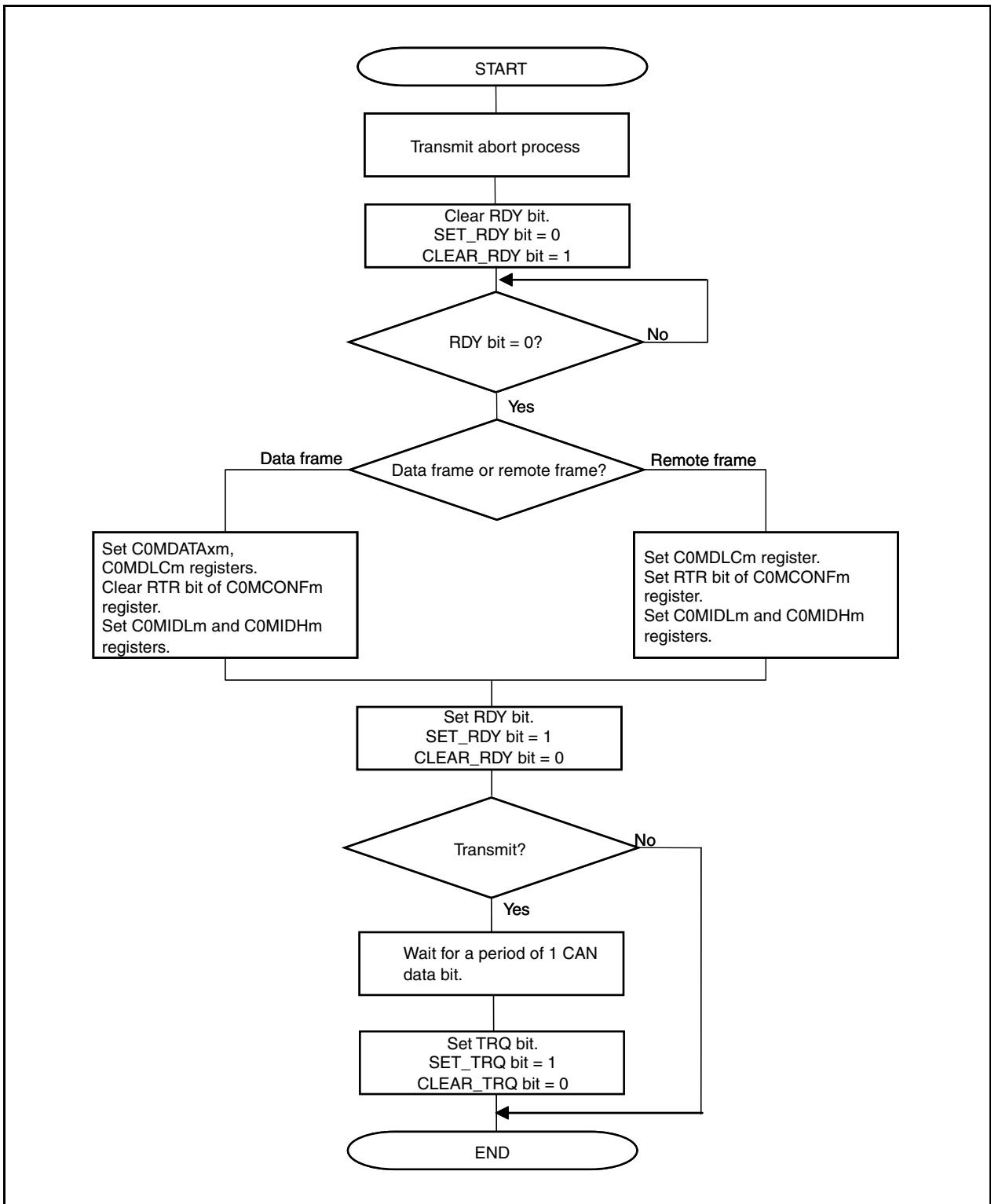


Figure 17-40 shows the processing for a transmit message buffer (COMCONFm.MT2 to COMCONFm.MT0 bits = 000B).

**Figure 17-40. Message Transmit Processing**

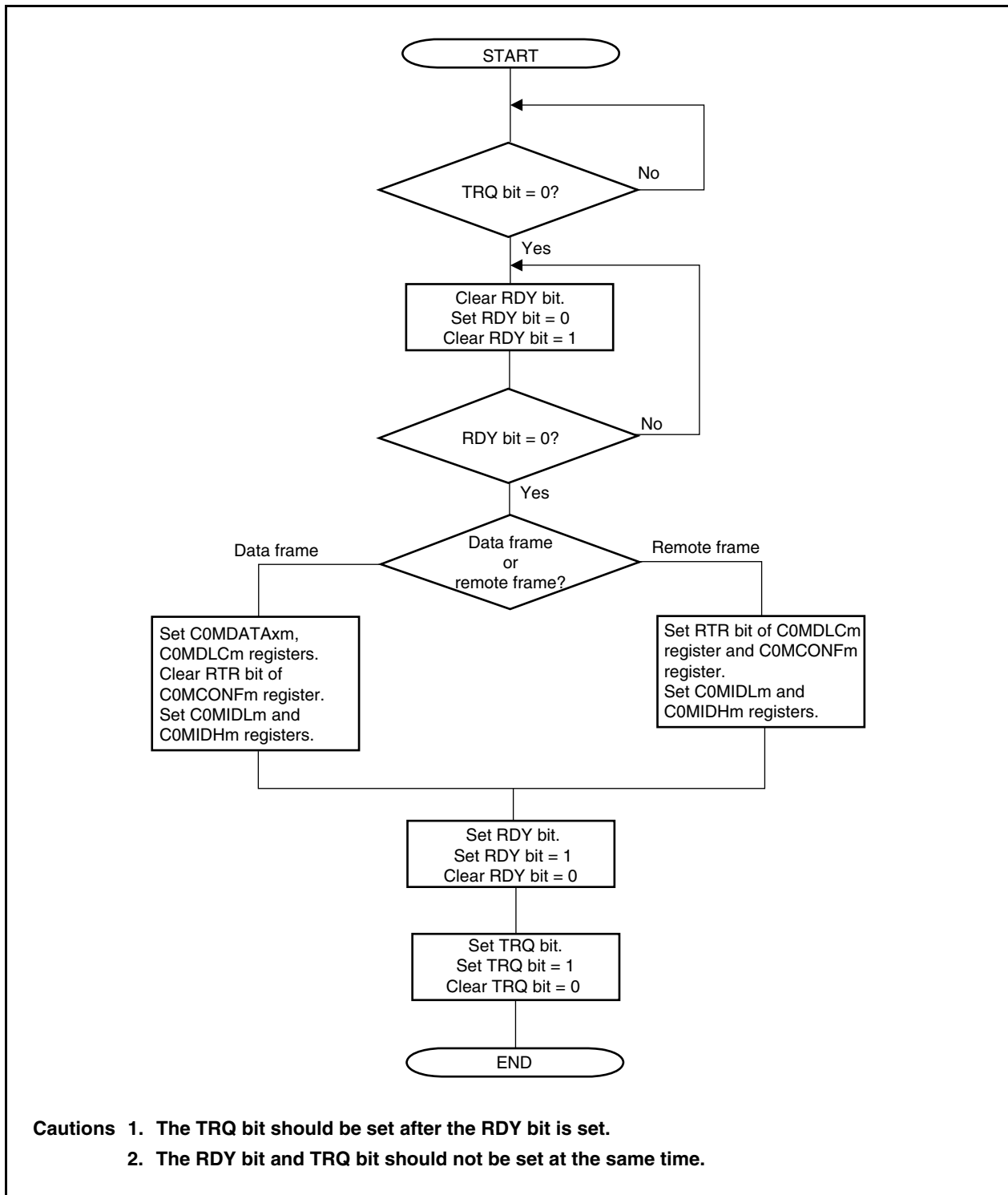
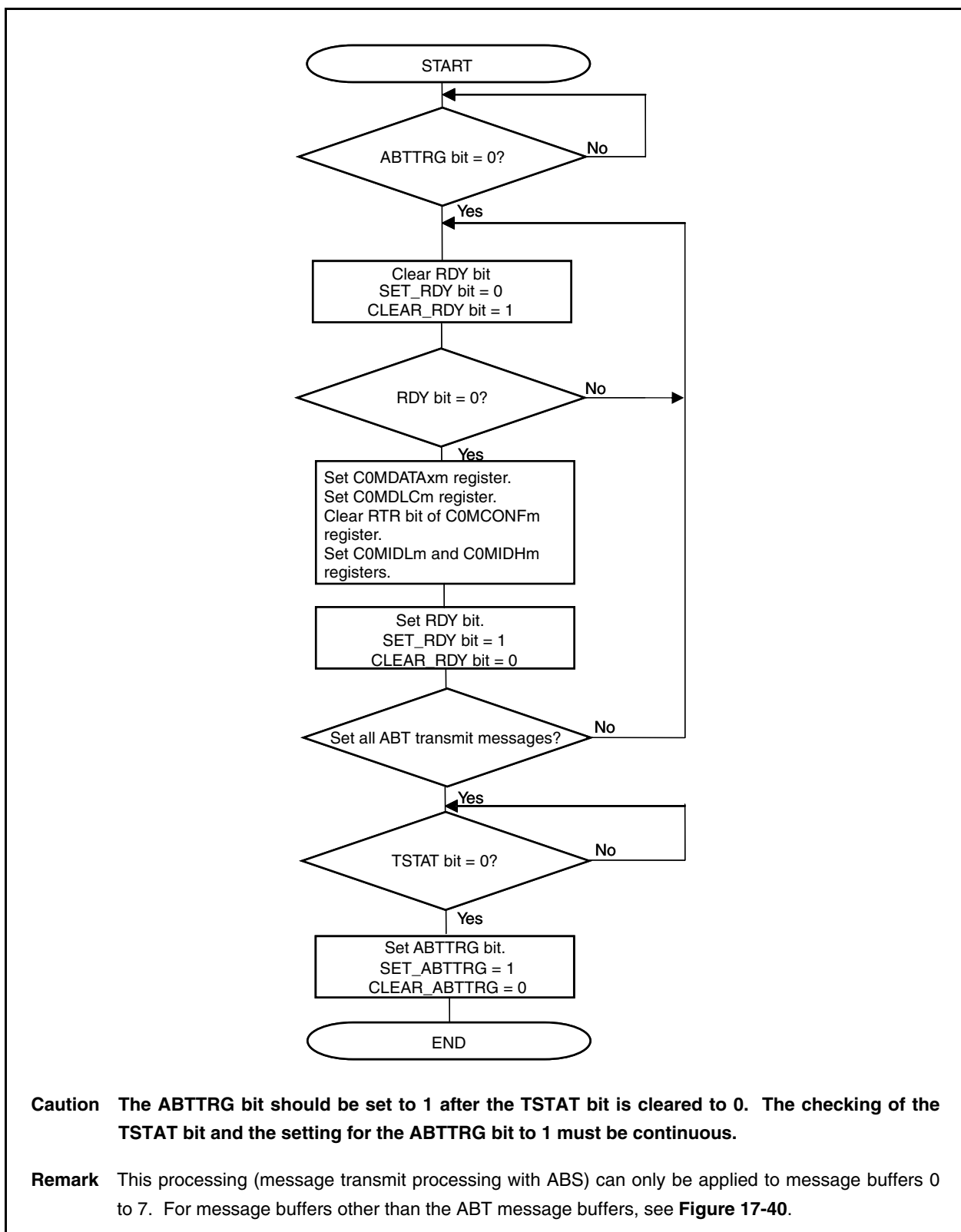




Figure 17-41 shows the processing for a transmit message buffer (COMCONFm.MT2 to COMCONFm.MT0 bits = 000B).

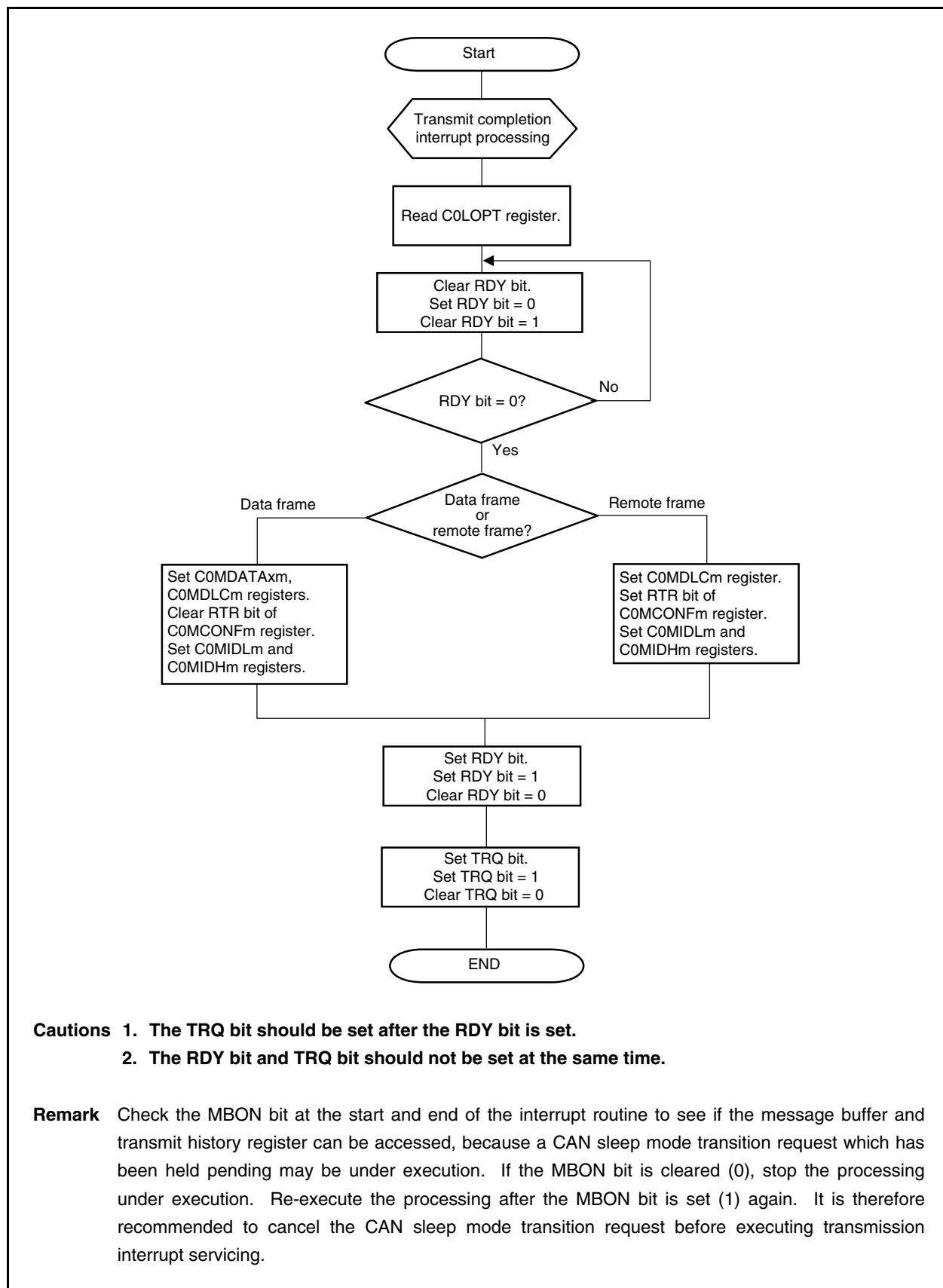
**Figure 17-41. ABT Message Transmit Processing**



**Caution** The ABTTRG bit should be set to 1 after the TSTAT bit is cleared to 0. The checking of the TSTAT bit and the setting for the ABTTRG bit to 1 must be continuous.

**Remark** This processing (message transmit processing with ABS) can only be applied to message buffers 0 to 7. For message buffers other than the ABT message buffers, see **Figure 17-40**.

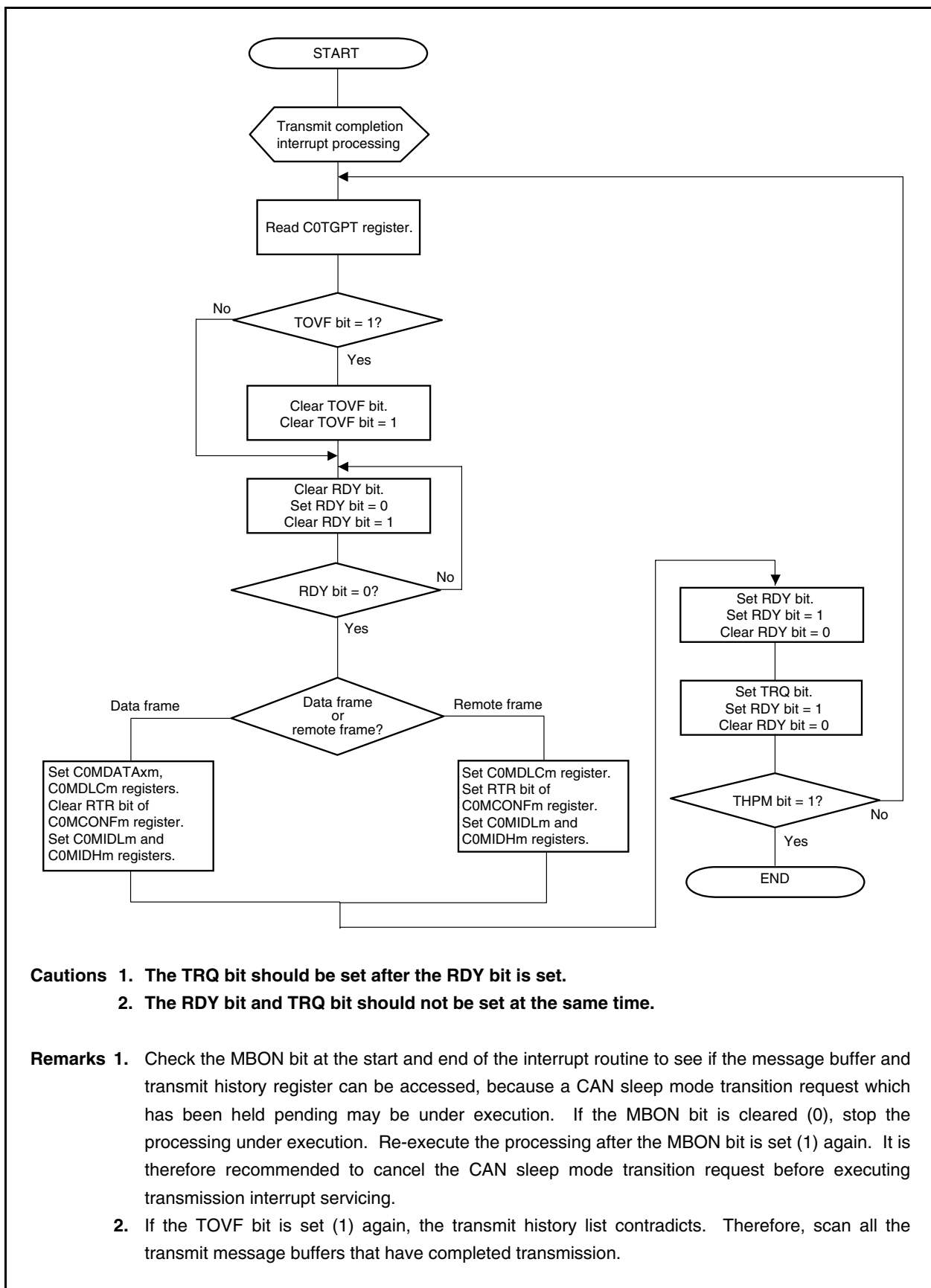
Figure 17-42. Transmission via Interrupt (Using C0LOPT register)



- Cautions**
1. The TRQ bit should be set after the RDY bit is set.
  2. The RDY bit and TRQ bit should not be set at the same time.

**Remark** Check the MBON bit at the start and end of the interrupt routine to see if the message buffer and transmit history register can be accessed, because a CAN sleep mode transition request which has been held pending may be under execution. If the MBON bit is cleared (0), stop the processing under execution. Re-execute the processing after the MBON bit is set (1) again. It is therefore recommended to cancel the CAN sleep mode transition request before executing transmission interrupt servicing.

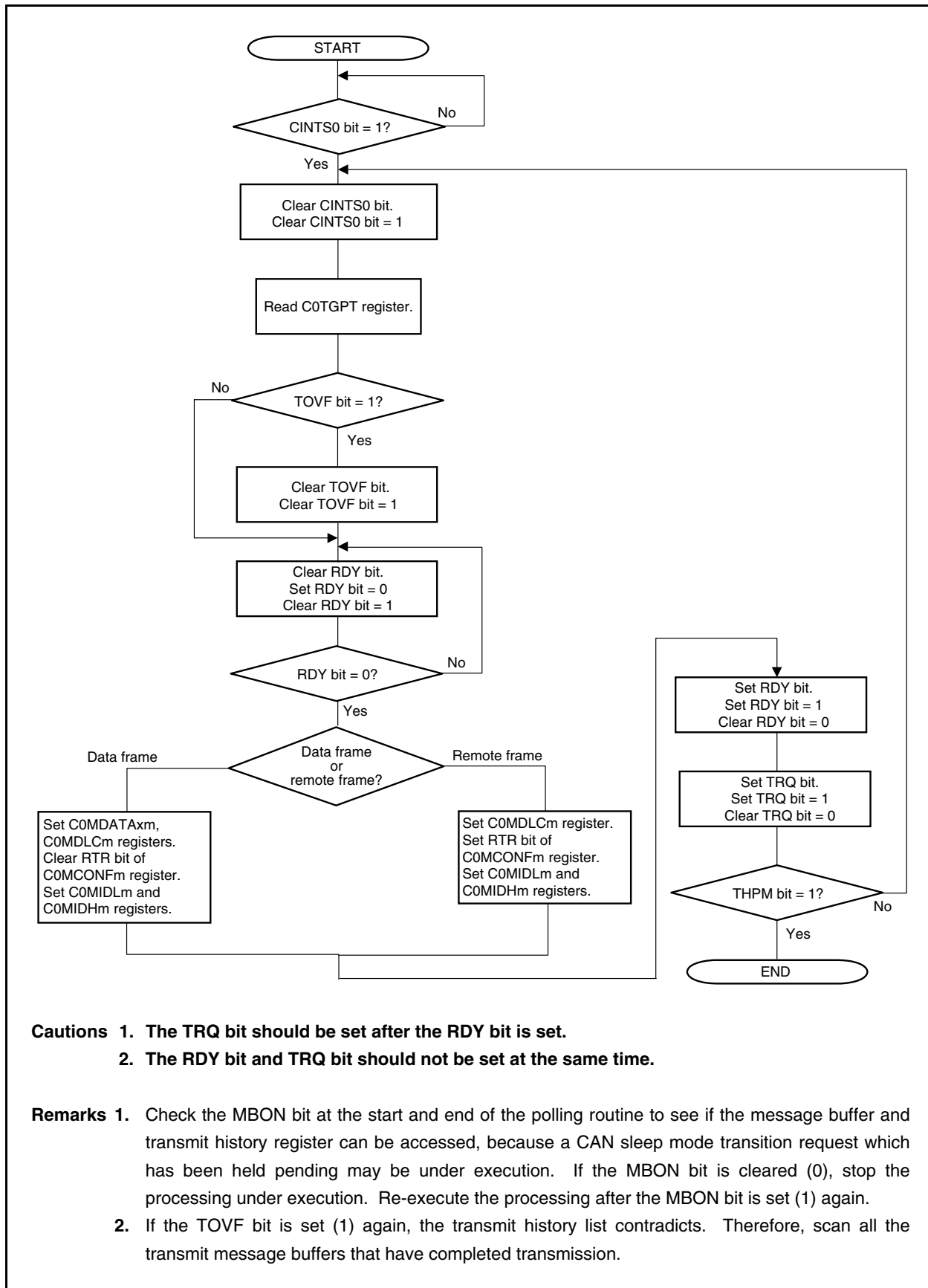
Figure 17-43. Transmission via Interrupt (Using C0TGPT Register)



- Cautions**
1. The TRQ bit should be set after the RDY bit is set.
  2. The RDY bit and TRQ bit should not be set at the same time.

- Remarks**
1. Check the MBON bit at the start and end of the interrupt routine to see if the message buffer and transmit history register can be accessed, because a CAN sleep mode transition request which has been held pending may be under execution. If the MBON bit is cleared (0), stop the processing under execution. Re-execute the processing after the MBON bit is set (1) again. It is therefore recommended to cancel the CAN sleep mode transition request before executing transmission interrupt servicing.
  2. If the TOVF bit is set (1) again, the transmit history list contradicts. Therefore, scan all the transmit message buffers that have completed transmission.

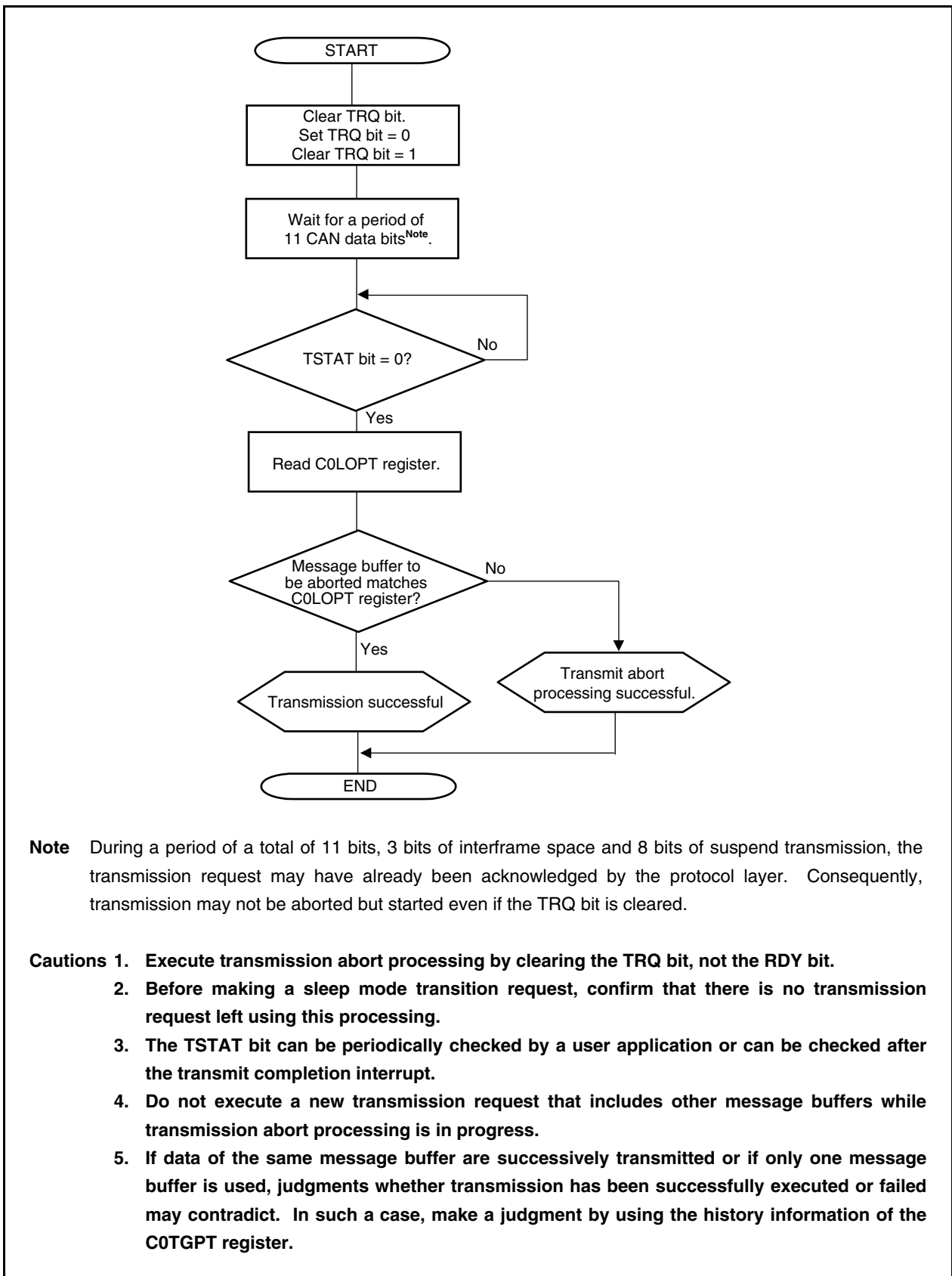
Figure 17-44. Transmission via Software Polling



- Cautions**
1. The TRQ bit should be set after the RDY bit is set.
  2. The RDY bit and TRQ bit should not be set at the same time.

- Remarks**
1. Check the MBON bit at the start and end of the polling routine to see if the message buffer and transmit history register can be accessed, because a CAN sleep mode transition request which has been held pending may be under execution. If the MBON bit is cleared (0), stop the processing under execution. Re-execute the processing after the MBON bit is set (1) again.
  2. If the TOVF bit is set (1) again, the transmit history list contradicts. Therefore, scan all the transmit message buffers that have completed transmission.

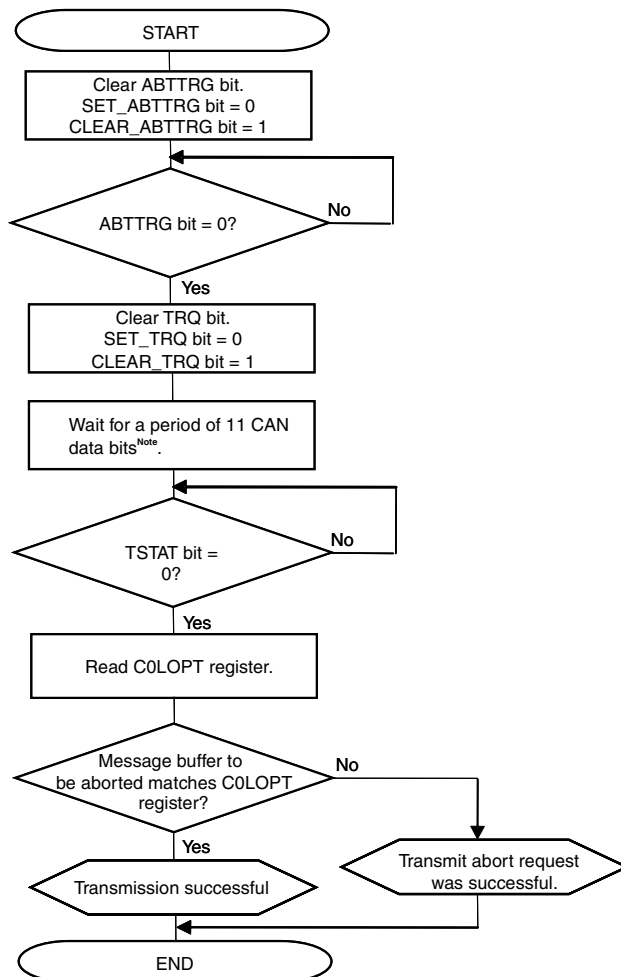
Figure 17-45. Transmission Abort Processing (Other Than in Normal Operation Mode with ABT)



**Note** During a period of a total of 11 bits, 3 bits of interframe space and 8 bits of suspend transmission, the transmission request may have already been acknowledged by the protocol layer. Consequently, transmission may not be aborted but started even if the TRQ bit is cleared.

- Cautions**
1. Execute transmission abort processing by clearing the TRQ bit, not the RDY bit.
  2. Before making a sleep mode transition request, confirm that there is no transmission request left using this processing.
  3. The TSTAT bit can be periodically checked by a user application or can be checked after the transmit completion interrupt.
  4. Do not execute a new transmission request that includes other message buffers while transmission abort processing is in progress.
  5. If data of the same message buffer are successively transmitted or if only one message buffer is used, judgments whether transmission has been successfully executed or failed may contradict. In such a case, make a judgment by using the history information of the C0TGPT register.

Figure 17-46. Transmission Abort Processing Except for ABT Transmission  
(Normal Operation Mode with ABT)



**Note** During a period of a total of 11 bits, 3 bits of interframe space and 8 bits of suspend transmission, the transmission request may have already been acknowledged by the protocol layer. Consequently, transmission may not be aborted but started even if the TRQ bit is cleared.

- Cautions**
1. Execute transmission abort processing by clearing the TRQ bit, not the RDY bit.
  2. Before making a sleep mode transition request, confirm that there is no transmission request left using this processing.
  3. The TSTAT bit can be periodically checked by a user application or can be checked after the transmit completion interrupt.
  4. Do not execute a new transmission request that includes other message buffers while transmission abort processing is in progress.
  5. If data of the same message buffer are successively transmitted or if only one message buffer is used, judgments whether transmission has been successfully executed or failed may contradict. In such a case, make a judgment by using the history information of the C0TGPT register.

Figure 17-47 (a) shows processing that does not skip resuming the transmission of a message that was interrupted when the transmission of an ABT message buffer was aborted.

**Figure 17-47 (a). Transmission Abort Processing (Normal Operation Mode with ABT)**

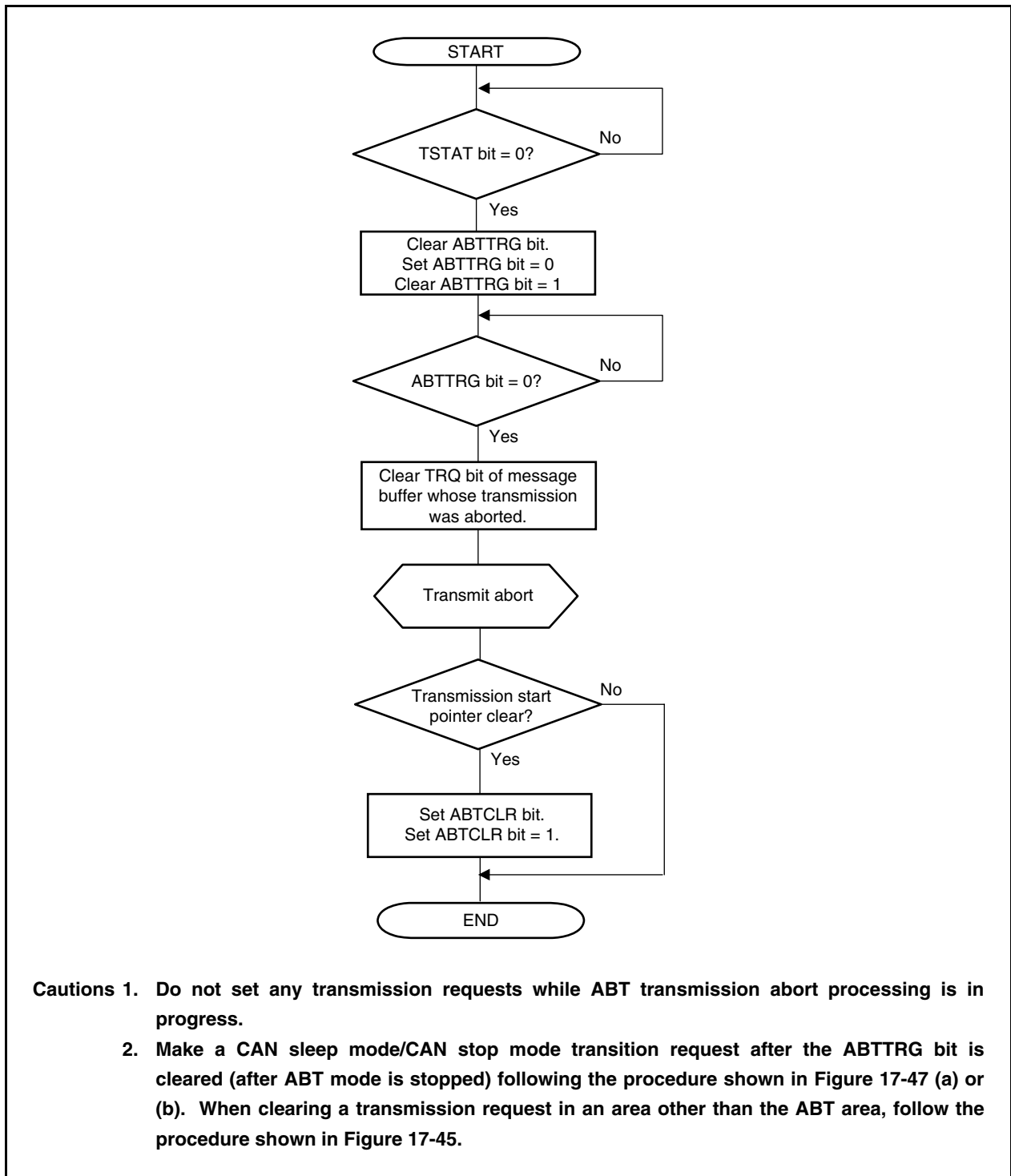
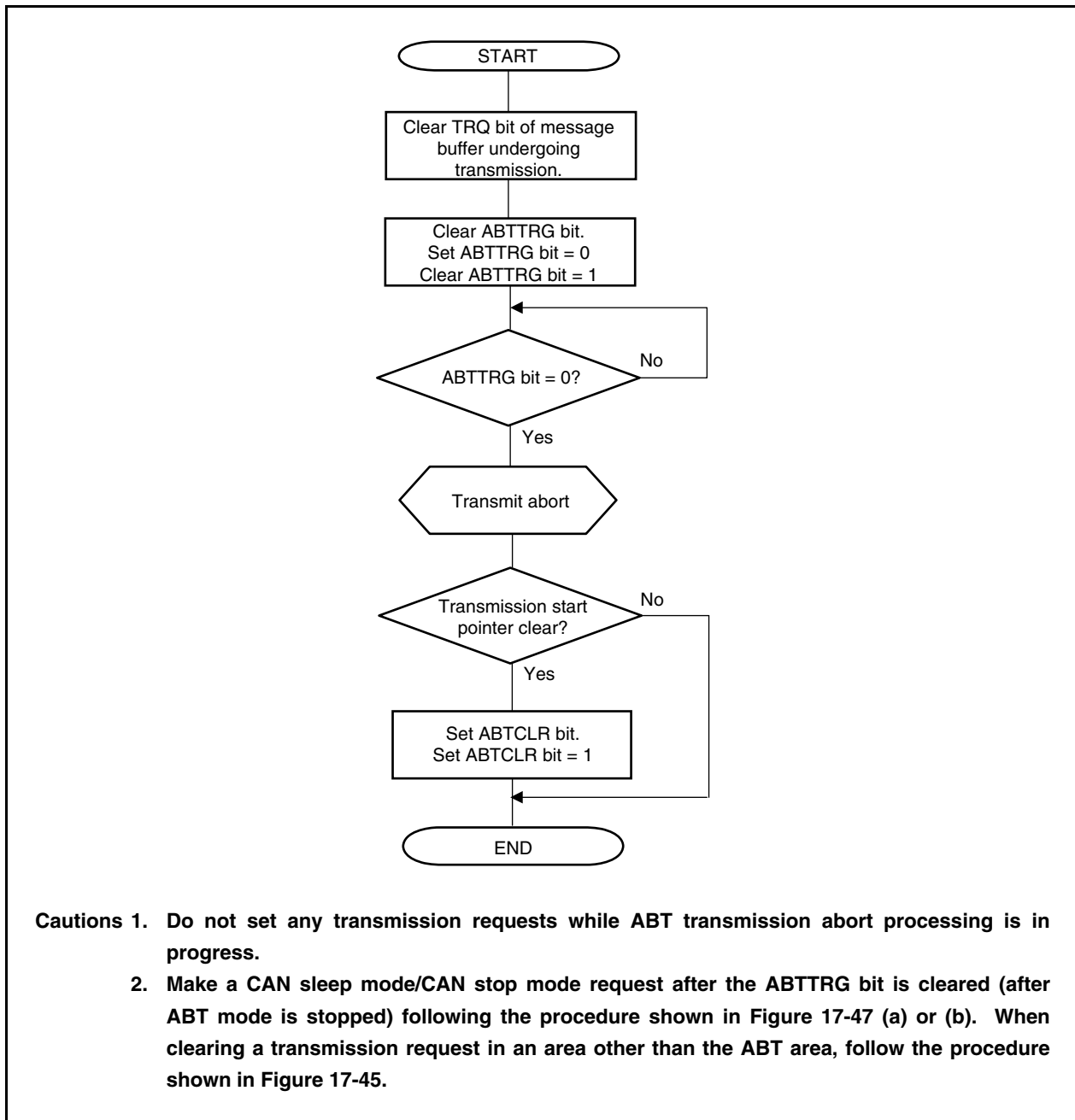


Figure 17-47 (b) shows the processing that does not skip resuming the transmission of a message that was interrupted when the transmission of an ABT message buffer was aborted.

**Figure 17-47 (b). Transmission Request Abort Processing (Normal Operation Mode with ABT)**



- Cautions**
1. Do not set any transmission requests while ABT transmission abort processing is in progress.
  2. Make a CAN sleep mode/CAN stop mode request after the ABTTRG bit is cleared (after ABT mode is stopped) following the procedure shown in Figure 17-47 (a) or (b). When clearing a transmission request in an area other than the ABT area, follow the procedure shown in Figure 17-45.



Figure 17-48. Reception via Interrupt (Using C0LIPT Register)

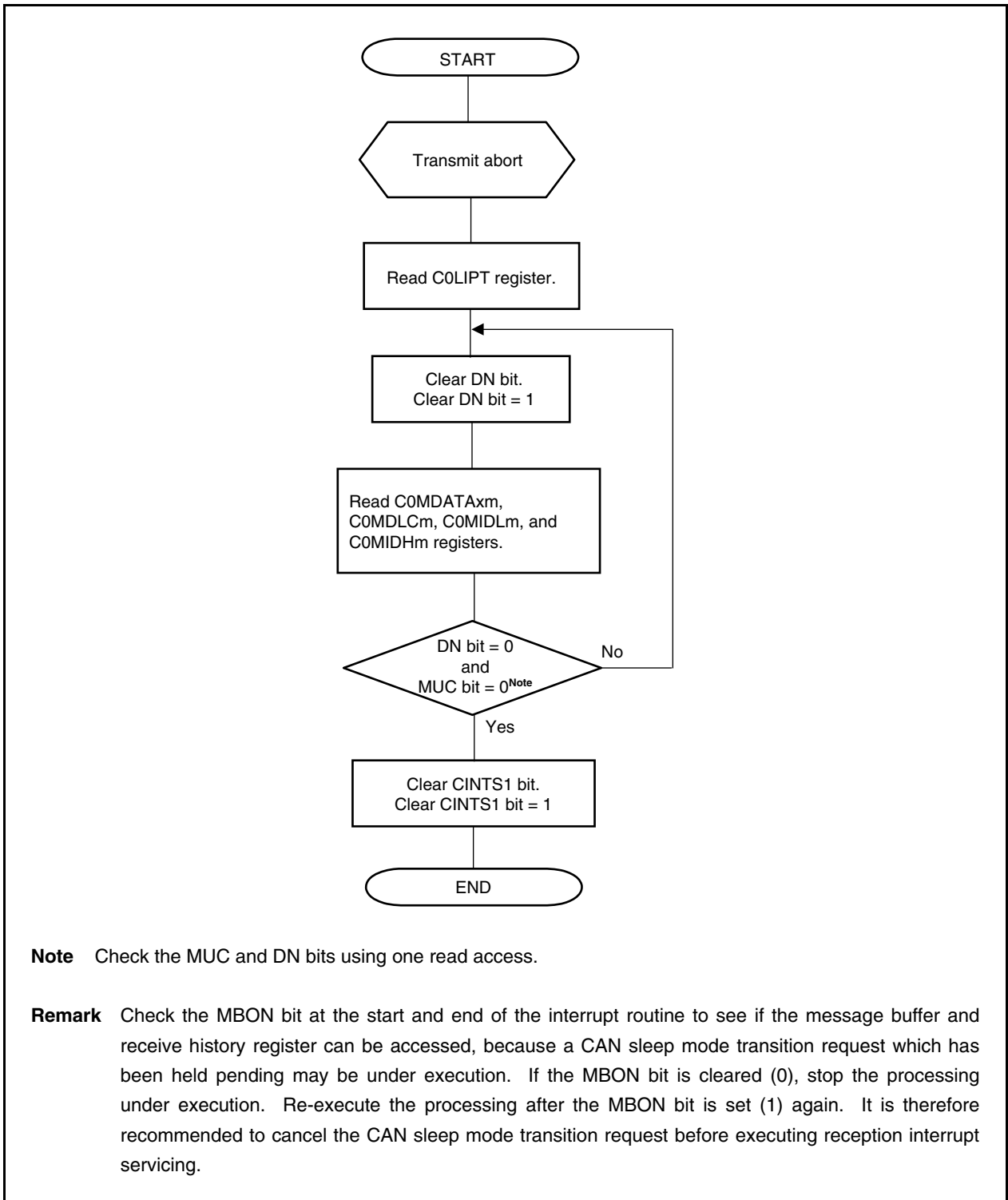
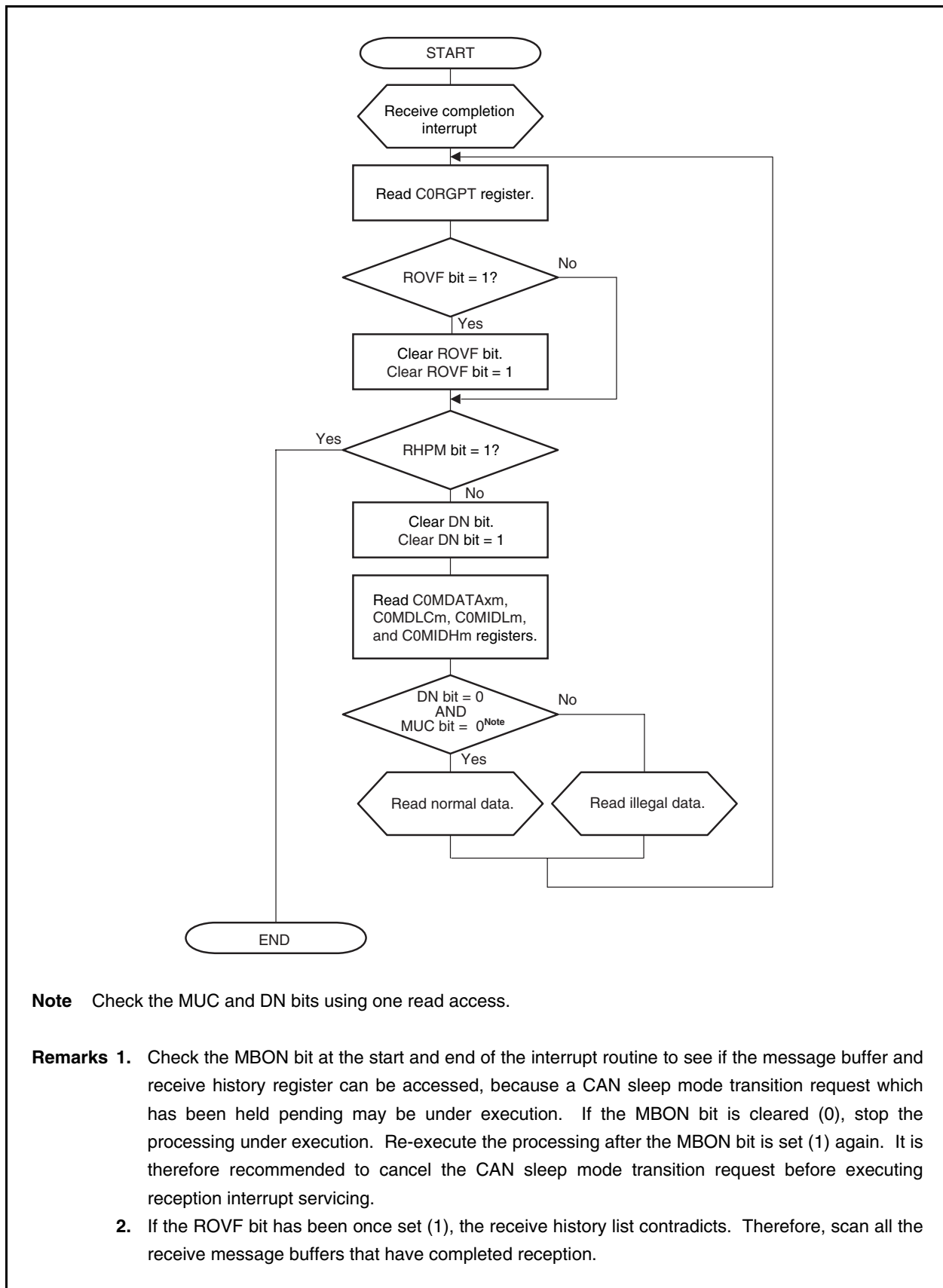


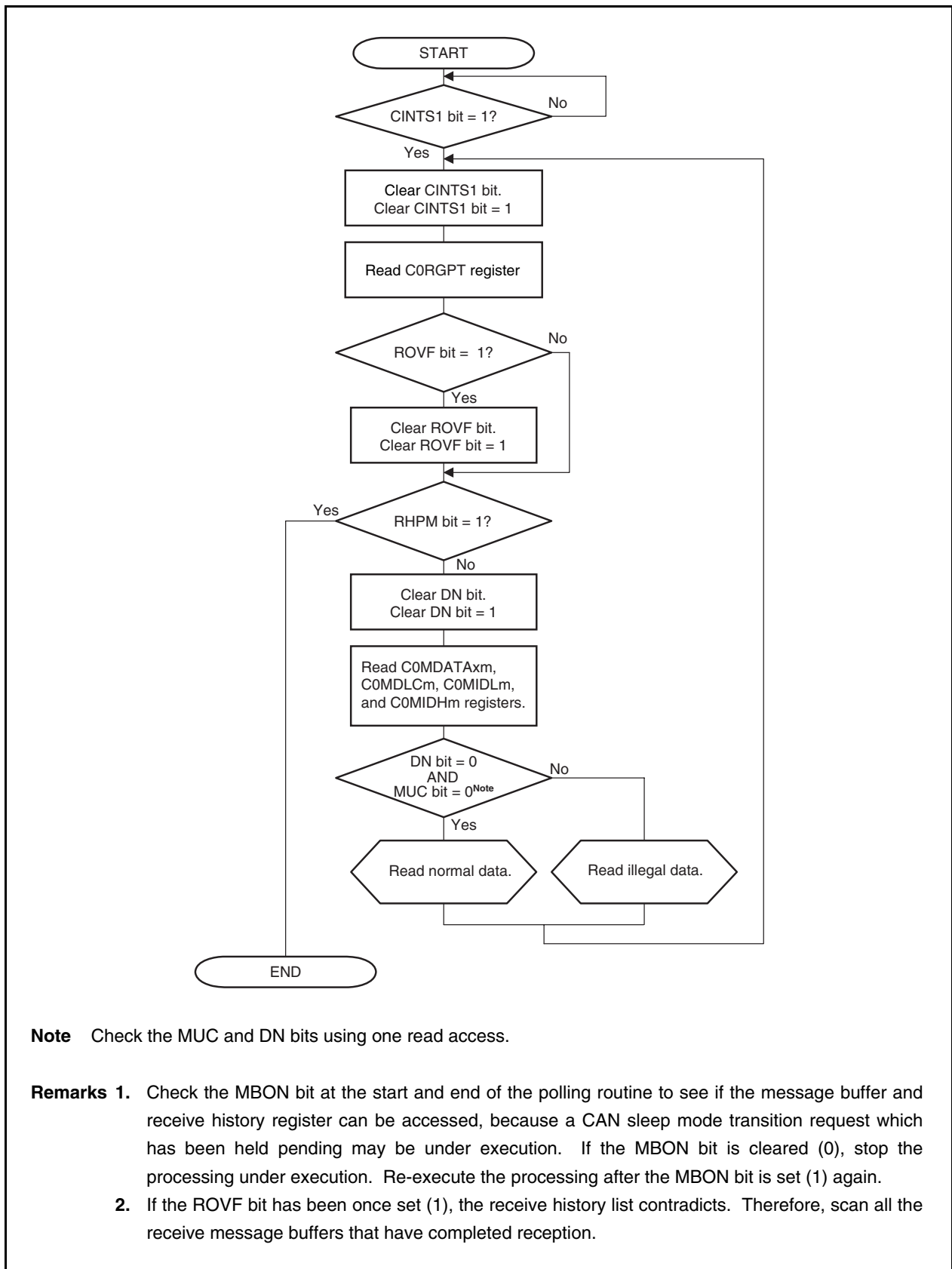
Figure 17-49. Reception via Interrupt (Using C0RGPT Register)



**Note** Check the MUC and DN bits using one read access.

- Remarks 1.** Check the MBON bit at the start and end of the interrupt routine to see if the message buffer and receive history register can be accessed, because a CAN sleep mode transition request which has been held pending may be under execution. If the MBON bit is cleared (0), stop the processing under execution. Re-execute the processing after the MBON bit is set (1) again. It is therefore recommended to cancel the CAN sleep mode transition request before executing reception interrupt servicing.
- 2.** If the ROVF bit has been once set (1), the receive history list contradicts. Therefore, scan all the receive message buffers that have completed reception.

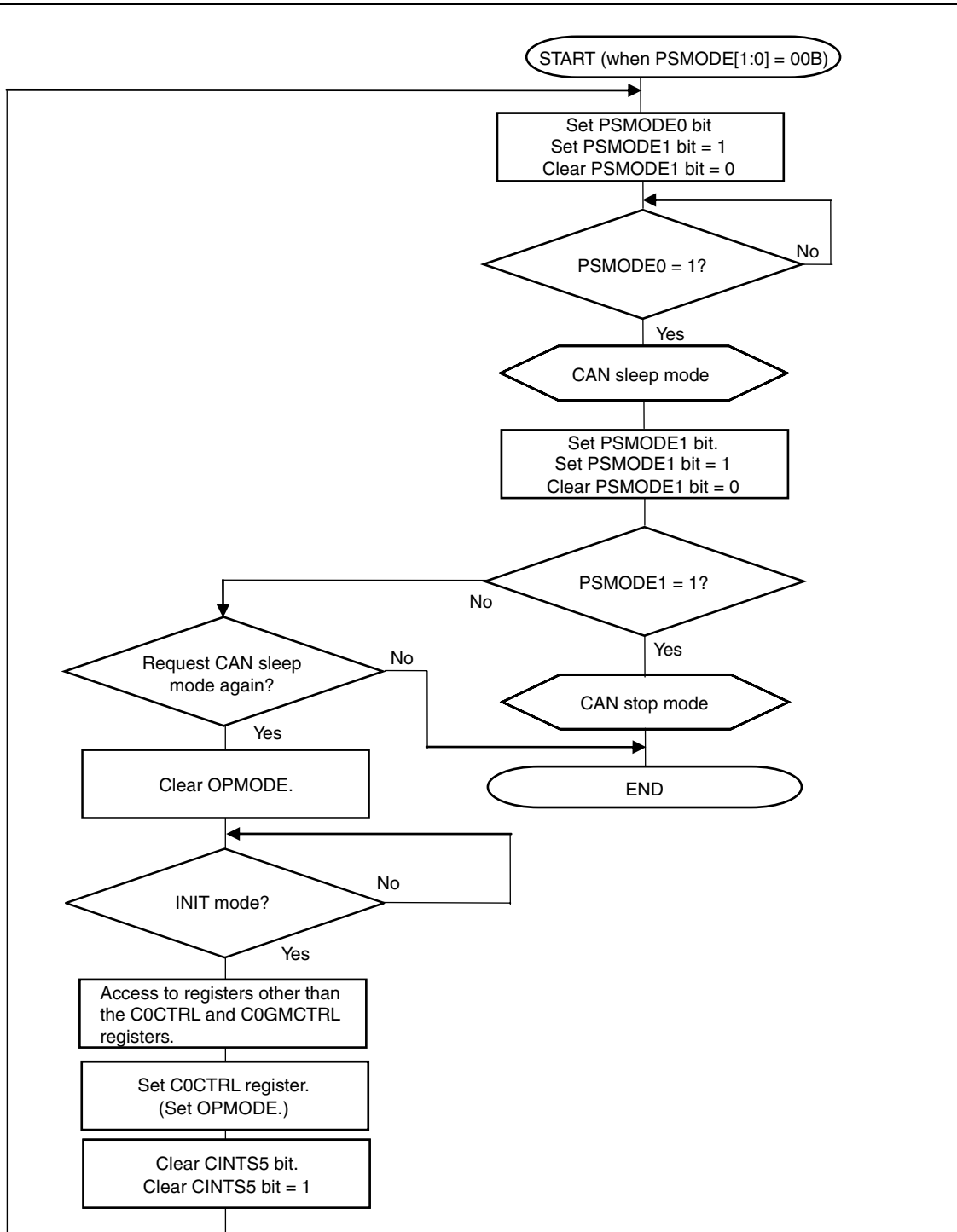
Figure 17-50. Reception via Software Polling



**Note** Check the MUC and DN bits using one read access.

- Remarks 1.** Check the MBON bit at the start and end of the polling routine to see if the message buffer and receive history register can be accessed, because a CAN sleep mode transition request which has been held pending may be under execution. If the MBON bit is cleared (0), stop the processing under execution. Re-execute the processing after the MBON bit is set (1) again.
- 2.** If the ROVF bit has been once set (1), the receive history list contradicts. Therefore, scan all the receive message buffers that have completed reception.

Figure 17-51. Setting CAN Sleep Mode/Stop Mode



**Caution** To abort transmission before making a request for the CAN sleep mode, perform processing according to Figures 17-45 to 17-47.

Figure 17-52. Clear CAN Sleep/Stop Mode

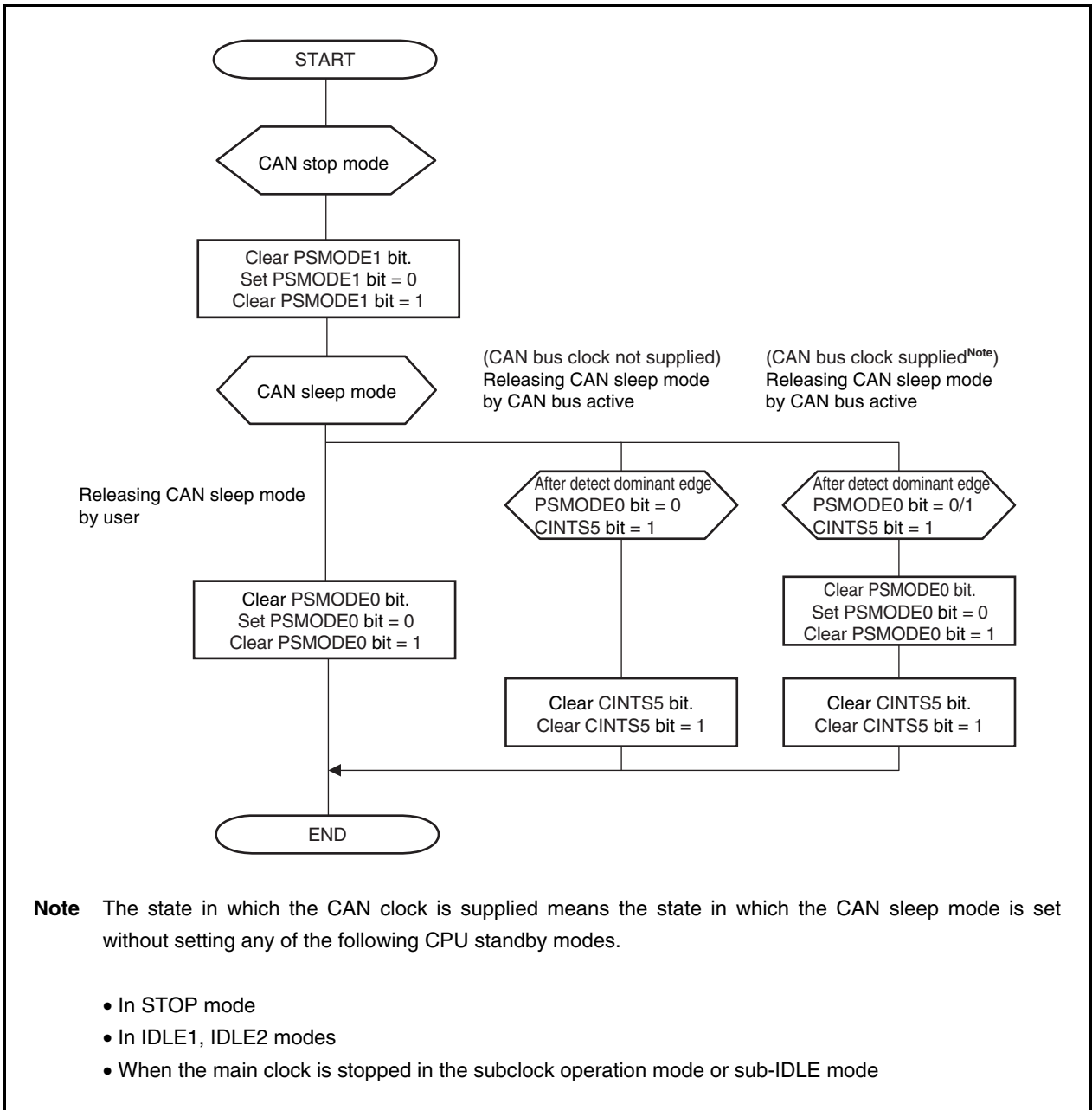


Figure 17-53. Bus-off Recovery (Other Than in Normal Operation Mode with ABT)

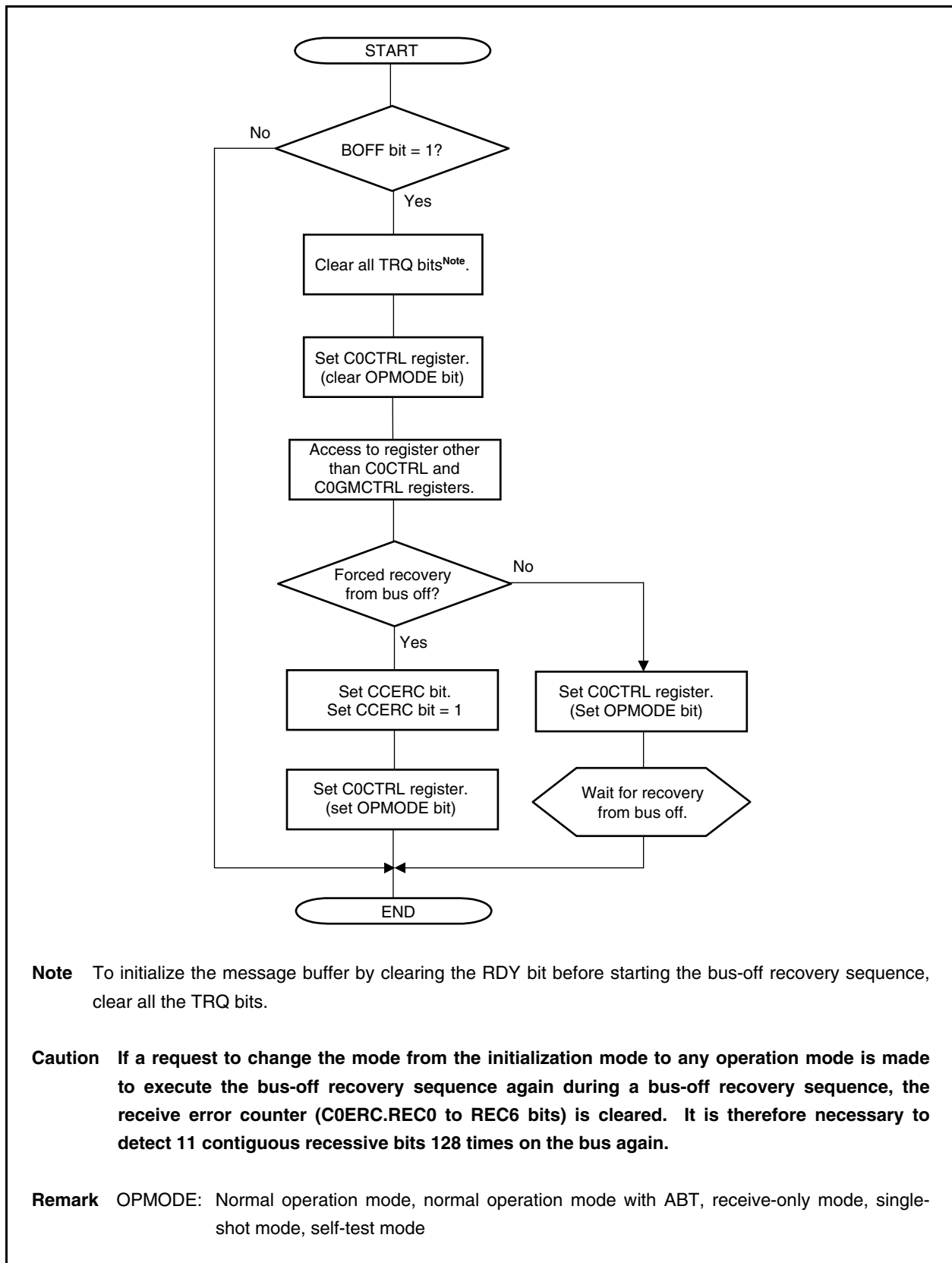


Figure 17-54. Bus-off Recovery (Normal Operation Mode with ABT)

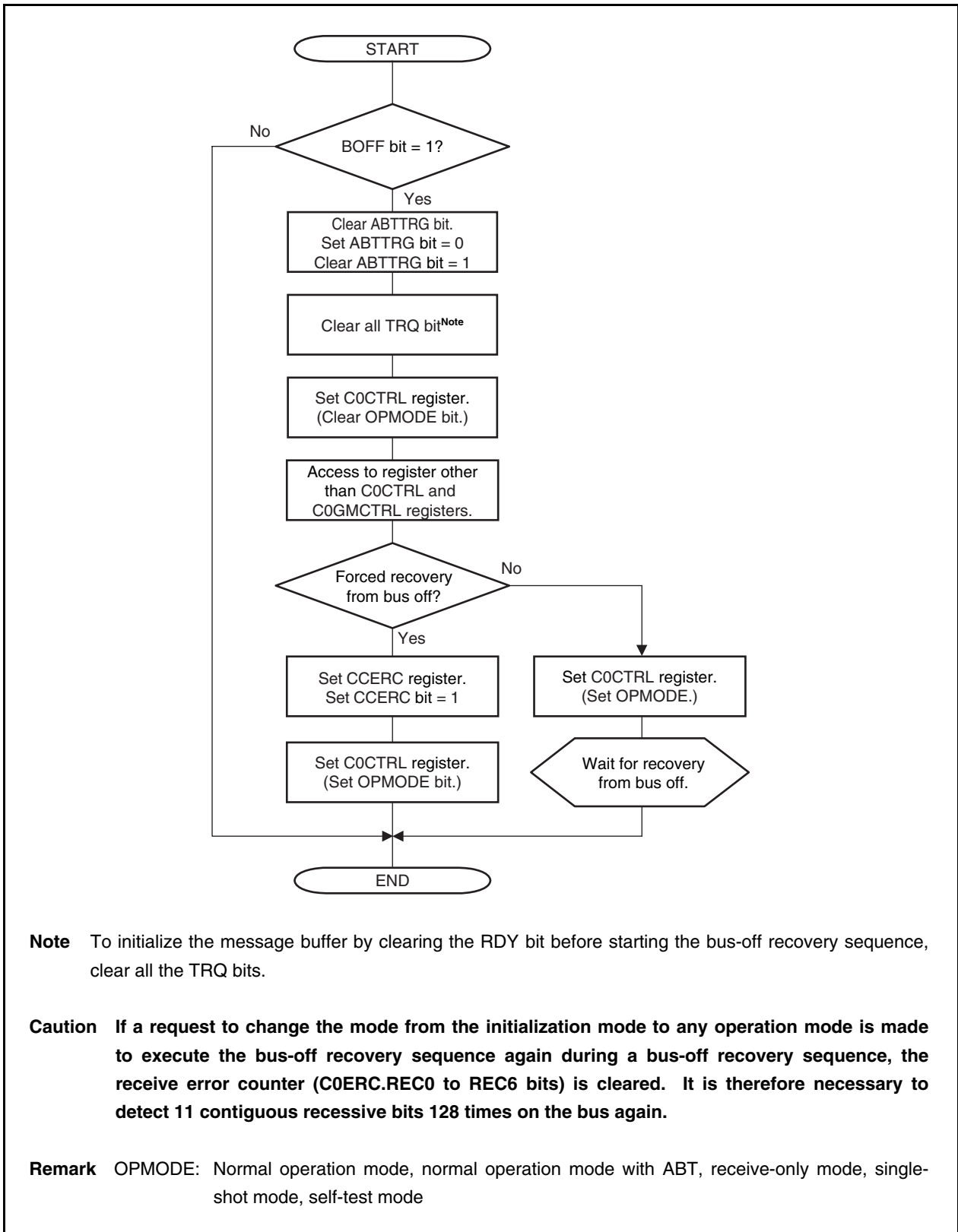


Figure 17-55. Normal Shutdown Process

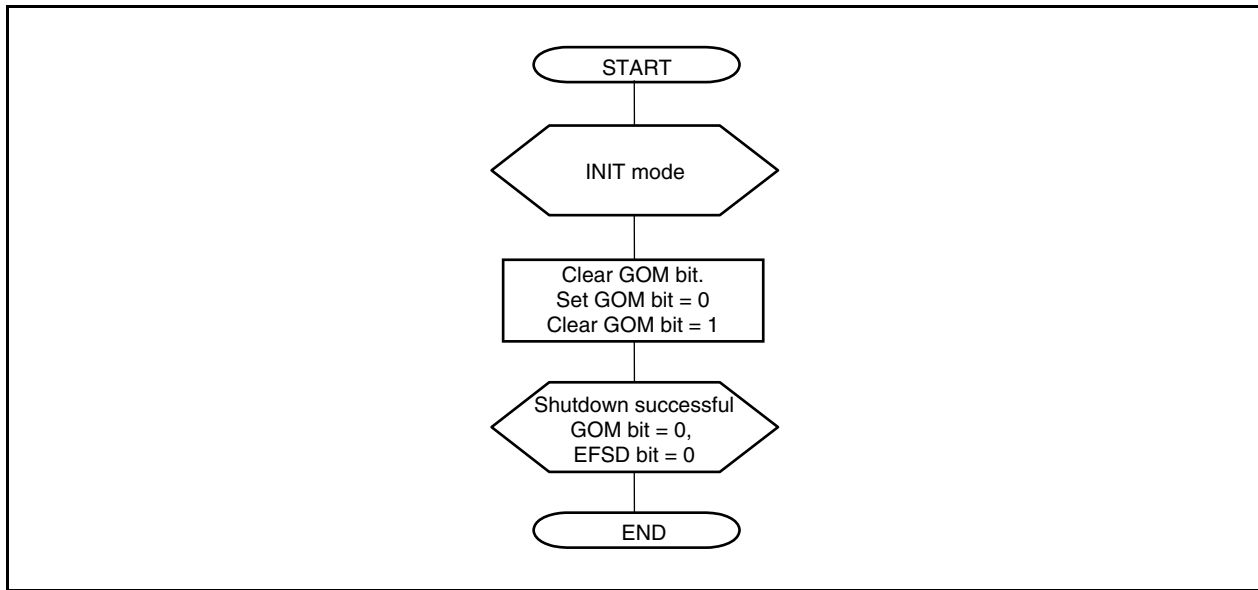




Figure 17-56. Forced Shutdown Process

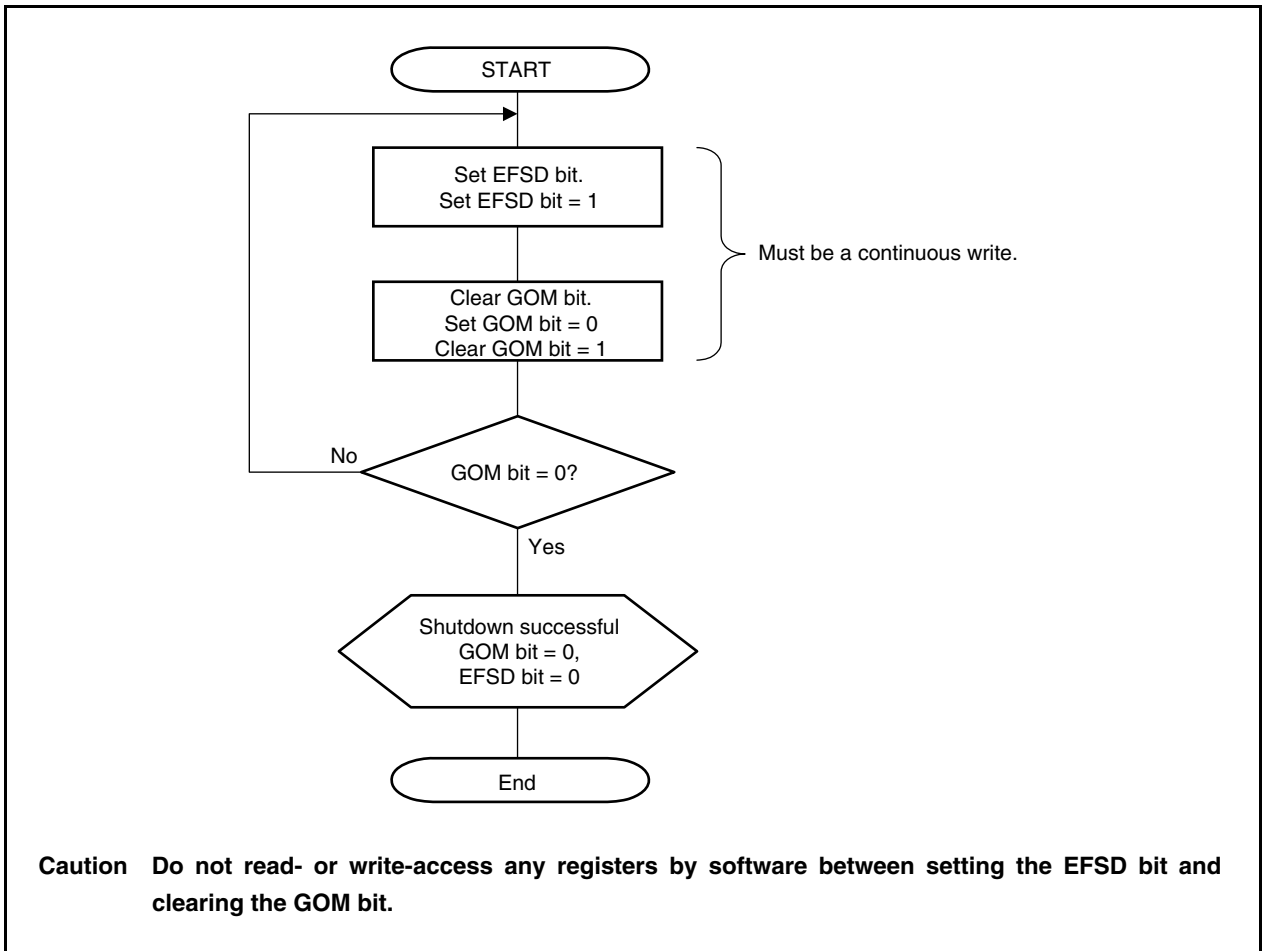


Figure 17-57. Error Handling

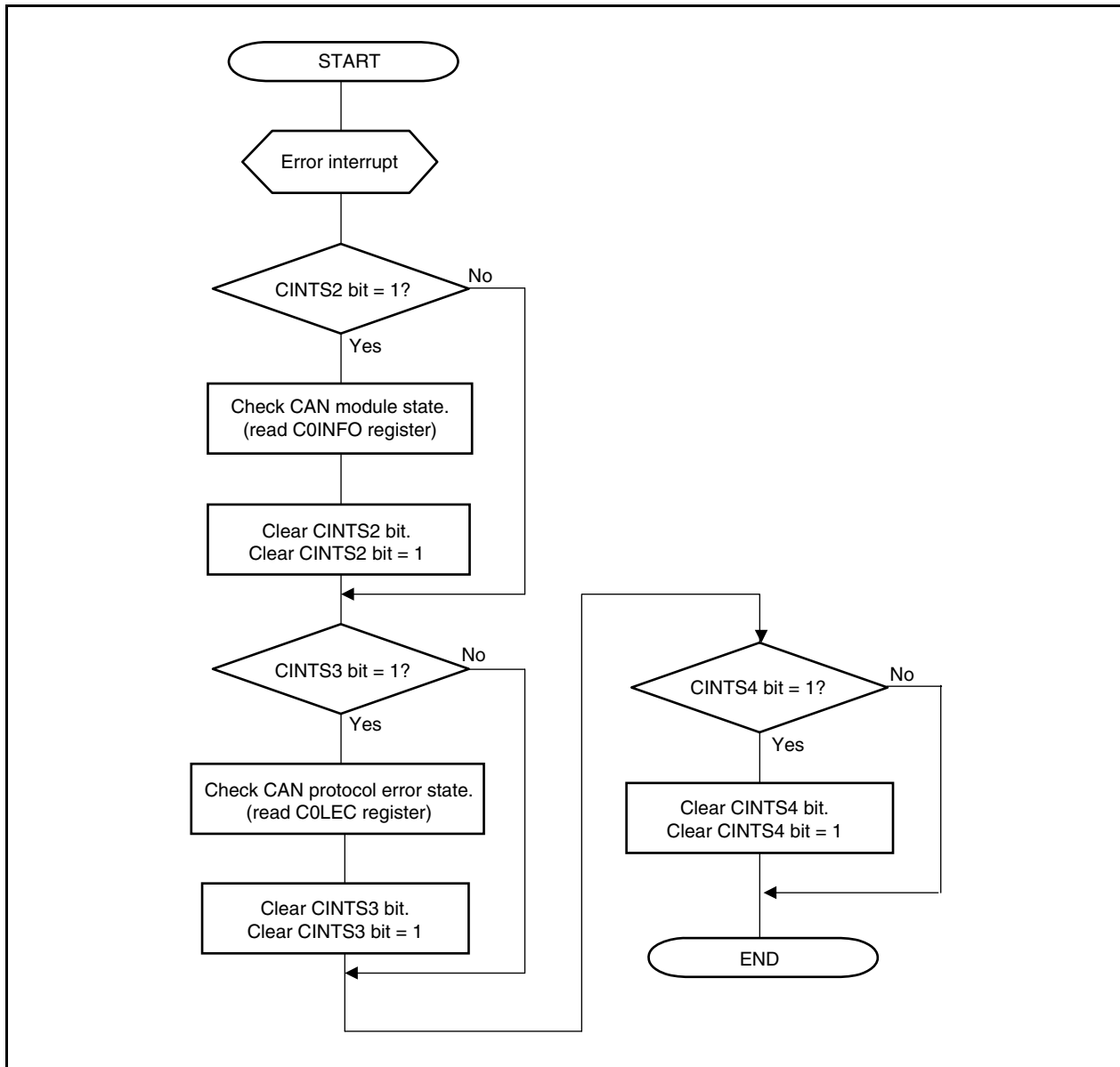


Figure 17-58. Setting CPU Standby (from CAN Sleep Mode)

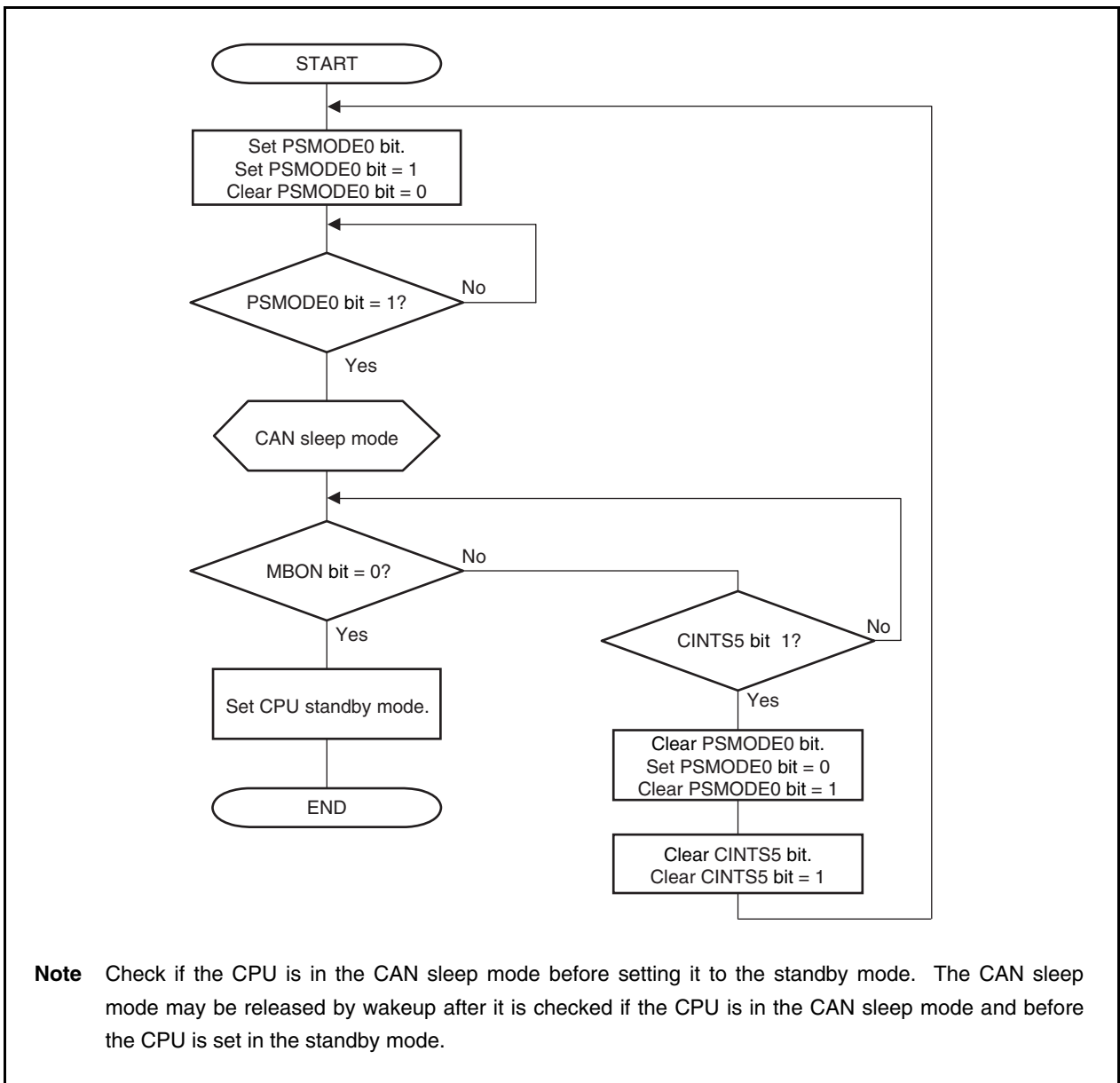
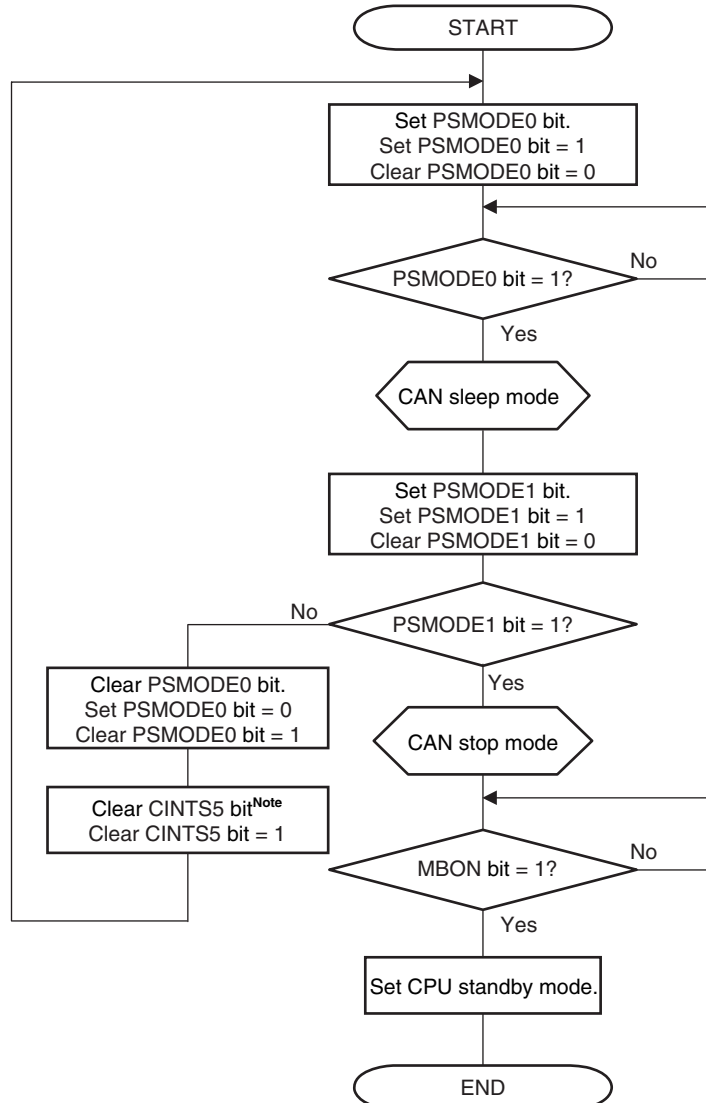


Figure 17-59. Setting CPU Standby (from CAN Stop Mode)



**Note** During wake-up interrupts

**Caution** The CAN stop mode can only be released by writing 01 to the C0CTRL.PSMODE1 and C0CTRL.PSMODE0 bits. It cannot be released by changing the CAN bus.

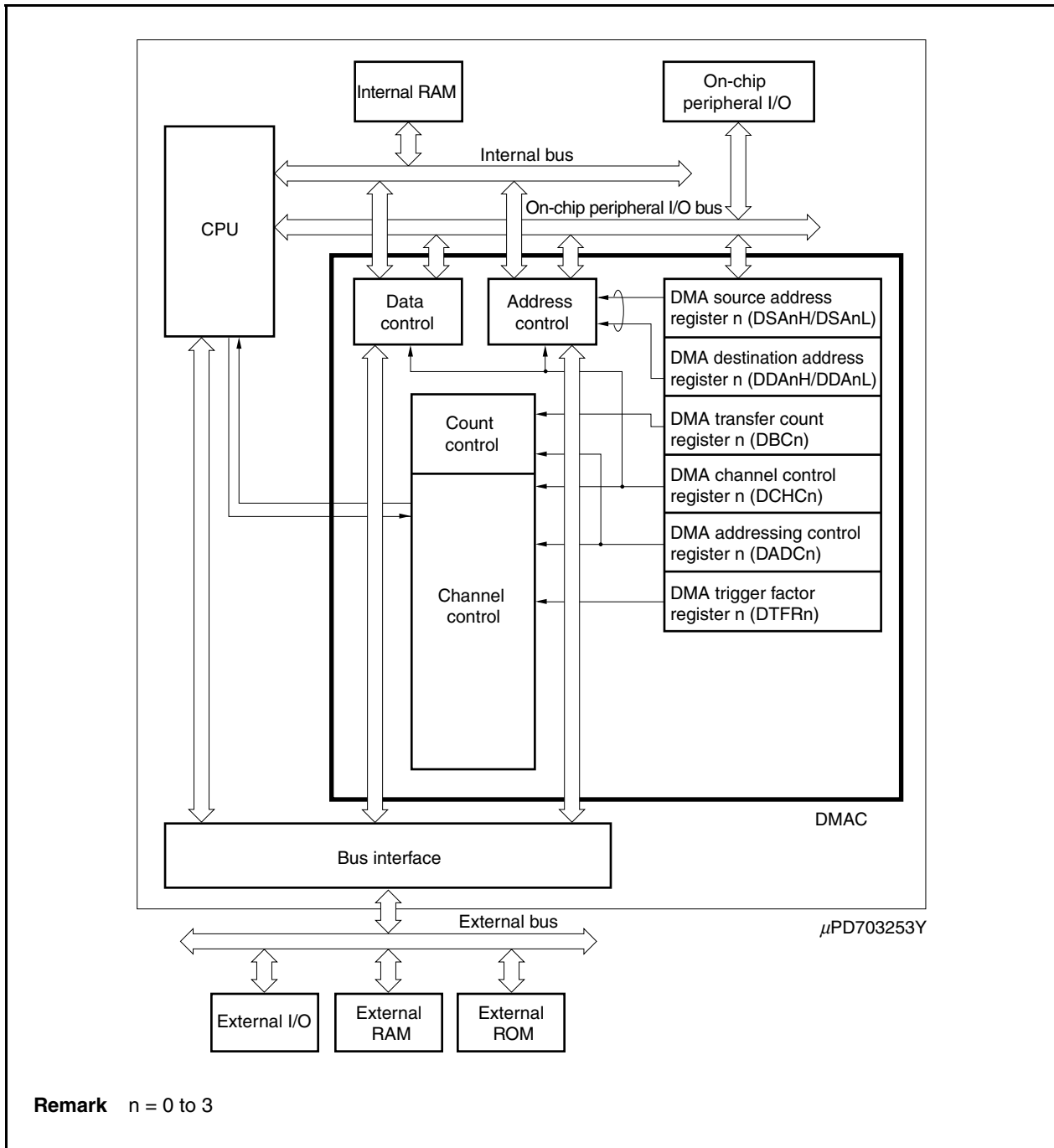
The DMA (Direct Memory Access) controller (DMAC) is provided only in the  $\mu$ PD703253Y.

The DMAC controls data transfer between memory and I/O, between memories, or between I/Os based on DMA requests issued by the on-chip peripheral I/O (serial interface, timer/counter, and A/D converter), interrupts from external input pins, or software triggers (memory refers to internal RAM or external memory).

### 18.1 Features

- 4 independent DMA channels
- Transfer unit: 8/16 bits
- Maximum transfer count: 65,536 ( $2^{16}$ )
- Transfer type: Two-cycle transfer
- Transfer mode: Single transfer mode
- Transfer requests
  - Request by interrupts from on-chip peripheral I/O (serial interface, timer/counter, A/D converter) or interrupts from external input pin
  - Requests by software trigger
- Transfer targets
  - Internal RAM  $\leftrightarrow$  Peripheral I/O
  - Peripheral I/O  $\leftrightarrow$  Peripheral I/O
  - Internal RAM  $\leftrightarrow$  External memory
  - External memory  $\leftrightarrow$  Peripheral I/O
  - External memory  $\leftrightarrow$  External memory

18.2 Configuration



### 18.3 Registers

#### (1) DMA source address registers 0 to 3 (DSA0 to DSA3)

The DSA0 to DSA3 registers set the DMA source addresses (26 bits each) for DMA channel n (n = 0 to 3).

These registers are divided into two 16-bit registers, DSA<sub>n</sub>H and DSA<sub>n</sub>L.

These registers can be read or written in 16-bit units.

After reset: Undefined R/W Address: DSA0H FFFFF082H, DSA1H FFFFF08AH,  
 DSA2H FFFFF092H, DSA3H FFFFF09AH,  
 DSA0L FFFFF080H, DSA1L FFFFF088H,  
 DSA2L FFFFF090H, DSA3L FFFFF098H

|                                    |    |    |    |    |    |    |      |      |      |      |      |      |      |      |      |      |
|------------------------------------|----|----|----|----|----|----|------|------|------|------|------|------|------|------|------|------|
|                                    | 15 | 14 | 13 | 12 | 11 | 10 | 9    | 8    | 7    | 6    | 5    | 4    | 3    | 2    | 1    | 0    |
| DSA <sub>n</sub> H<br>(n = 0 to 3) | IR | 0  | 0  | 0  | 0  | 0  | SA25 | SA24 | SA23 | SA22 | SA21 | SA20 | SA19 | SA18 | SA17 | SA16 |

|                                    |      |      |      |      |      |      |     |     |     |     |     |     |     |     |     |     |
|------------------------------------|------|------|------|------|------|------|-----|-----|-----|-----|-----|-----|-----|-----|-----|-----|
|                                    | 15   | 14   | 13   | 12   | 11   | 10   | 9   | 8   | 7   | 6   | 5   | 4   | 3   | 2   | 1   | 0   |
| DSA <sub>n</sub> L<br>(n = 0 to 3) | SA15 | SA14 | SA13 | SA12 | SA11 | SA10 | SA9 | SA8 | SA7 | SA6 | SA5 | SA4 | SA3 | SA2 | SA1 | SA0 |

|    |                                           |
|----|-------------------------------------------|
| IR | Specification of DMA transfer source      |
| 0  | External memory or on-chip peripheral I/O |
| 1  | Internal RAM                              |

|              |                                                                                                                                                                                                                                   |
|--------------|-----------------------------------------------------------------------------------------------------------------------------------------------------------------------------------------------------------------------------------|
| SA25 to SA16 | Set the address (A25 to A16) of the DMA transfer source (default value is undefined).<br>During DMA transfer, the next DMA transfer source address is held.<br>When DMA transfer is completed, the DMA address set first is held. |
|--------------|-----------------------------------------------------------------------------------------------------------------------------------------------------------------------------------------------------------------------------------|

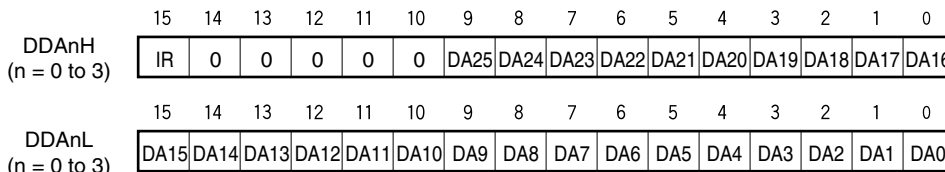
|             |                                                                                                                                                                                                                                  |
|-------------|----------------------------------------------------------------------------------------------------------------------------------------------------------------------------------------------------------------------------------|
| SA15 to SA0 | Set the address (A15 to A0) of the DMA transfer source (default value is undefined).<br>During DMA transfer, the next DMA transfer source address is held.<br>When DMA transfer is completed, the DMA address set first is held. |
|-------------|----------------------------------------------------------------------------------------------------------------------------------------------------------------------------------------------------------------------------------|

- Cautions**
- Be sure to clear bits 14 to 10 of the DSA<sub>n</sub>H register to 0.
  - Set the DSA<sub>n</sub>H and DSA<sub>n</sub>L registers at the following timing when DMA transfer is disabled (DCHC<sub>n</sub>.Enn bit = 0).
    - Period from after reset to start of first DMA transfer
    - Period from after channel initialization by DCHC<sub>n</sub>.INIT<sub>n</sub> bit to start of DMA transfer
    - Period from after completion of DMA transfer (DCHC<sub>n</sub>.TC<sub>n</sub> bit = 1) to start of the next DMA transfer
  - When the value of the DSA<sub>n</sub> register is read, two 16-bit registers, DSA<sub>n</sub>H and DSA<sub>n</sub>L, are read. If reading and updating conflict, the value being updated may be read (see 18.13 Cautions).
  - Following reset, set the DSA<sub>n</sub>H, DSA<sub>n</sub>L, DDAnH, DDAnL, and DBC<sub>n</sub> registers before starting DMA transfer. If these registers are not set, the operation when DMA transfer is started is not guaranteed.

**(2) DMA destination address registers 0 to 3 (DDA0 to DDA3)**

The DDA0 to DDA3 registers set the DMA destination address (26 bits each) for DMA channel n (n = 0 to 3). These registers are divided into two 16-bit registers, DDAnH and DDAnL. These registers can be read or written in 16-bit units.

After reset: Undefined    R/W    Address: DDA0H FFFFF086H, DDA1H FFFFF08EH,  
 DDA2H FFFFF096H, DDA3H FFFFF09EH,  
 DDA0L FFFFF084H, DDA1L FFFFF08CH,  
 DDA2L FFFFF094H, DDA3L FFFFF09CH



|    |                                           |
|----|-------------------------------------------|
| IR | Specification of DMA transfer destination |
| 0  | External memory or on-chip peripheral I/O |
| 1  | Internal RAM                              |

|              |                                                                                                                                                                                                                                                        |
|--------------|--------------------------------------------------------------------------------------------------------------------------------------------------------------------------------------------------------------------------------------------------------|
| DA25 to DA16 | Set an address (A25 to A16) of DMA transfer destination (default value is undefined).<br>During DMA transfer, the next DMA transfer destination address is held.<br>When DMA transfer is completed, the DMA transfer source address set first is held. |
|--------------|--------------------------------------------------------------------------------------------------------------------------------------------------------------------------------------------------------------------------------------------------------|

|             |                                                                                                                                                                                                                                                       |
|-------------|-------------------------------------------------------------------------------------------------------------------------------------------------------------------------------------------------------------------------------------------------------|
| DA15 to DA0 | Set an address (A15 to A0) of DMA transfer destination (default value is undefined).<br>During DMA transfer, the next DMA transfer destination address is held.<br>When DMA transfer is completed, the DMA transfer source address set first is held. |
|-------------|-------------------------------------------------------------------------------------------------------------------------------------------------------------------------------------------------------------------------------------------------------|

- Cautions**
- Be sure to clear bits 14 to 10 of the DDAnH register to 0.
  - Set the DDAnH and DDAnL registers at the following timing when DMA transfer is disabled (DCHCn.Enn bit = 0).
    - Period from after reset to start of first DMA transfer
    - Period from after channel initialization by DCHCn.INITn bit to start of DMA transfer
    - Period from after completion of DMA transfer (DCHCn.TCn bit = 1) to start of the next DMA transfer
  - When the value of the DDAn register is read, two 16-bit registers, DDAnH and DDAnL, are read. If reading and updating conflict, a value being updated may be read (see 18.13 Cautions).
  - Following reset, set the DSAnH, DSAnL, DDAnH, DDAnL, and DBCn registers before starting DMA transfer. If these registers are not set, the operation when DMA transfer is started is not guaranteed.



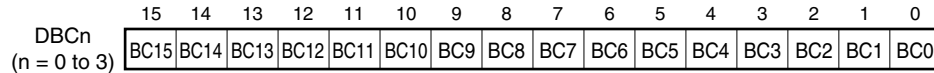
**(3) DMA transfer count registers 0 to 3 (DBC0 to DBC3)**

The DBC0 to DBC3 registers are 16-bit registers that set the byte transfer count for DMA channel n (n = 0 to 3). These registers hold the remaining transfer count during DMA transfer.

These registers are decremented by 1 per one transfer regardless of the transfer data unit (8/16 bits), and the transfer is terminated if a borrow occurs.

These registers can be read or written in 16-bit units.

After reset: Undefined    R/W    Address: DBC0 FFFFF0C0H, DBC1 FFFFF0C2H,  
 DBC2 FFFFF0C4H, DBC3 FFFFF0C6H



|                                                                              |                                                                                  |
|------------------------------------------------------------------------------|----------------------------------------------------------------------------------|
| BC15 to BC0                                                                  | Byte transfer count setting or remaining byte transfer count during DMA transfer |
| 0000H                                                                        | Byte transfer count 1 or remaining byte transfer count                           |
| 0001H                                                                        | Byte transfer count 2 or remaining byte transfer count                           |
| :                                                                            | :                                                                                |
| FFFFH                                                                        | Byte transfer count 65,536 (2 <sup>16</sup> ) or remaining byte transfer count   |
| The number of transfer data set first is held when DMA transfer is complete. |                                                                                  |

**Cautions 1. Set the DBCn register at the following timing when DMA transfer is disabled (DCHCn.Enn bit = 0).**

- Period from after reset to start of first DMA transfer
- Period from after channel initialization by DCHCn.INITn bit to start of DMA transfer
- Period from after completion of DMA transfer (DCHCn.TCn bit = 1) to start of the next DMA transfer

**2. Following reset, set the DSAnH, DSAnL, DDAnH, DDAnL, and DBCn registers before starting DMA transfer. If these registers are not set, the operation when DMA transfer is started is not guaranteed.**

**(4) DMA addressing control registers 0 to 3 (DADC0 to DADC3)**

The DADC0 to DADC3 registers are 16-bit registers that control the DMA transfer mode for DMA channel n (n = 0 to 3).

These registers can be read or written in 16-bit units.

Reset sets these registers to 0000H.

After reset: 0000H    R/W    Address: DADC0 FFFF0D0H, DADC1 FFFF0D2H,  
DADC2 FFFF0D4H, DADC3 FFFF0D6H

|                       |      |      |      |      |    |    |   |   |
|-----------------------|------|------|------|------|----|----|---|---|
| DADCn<br>(n = 0 to 3) | 15   | 14   | 13   | 12   | 11 | 10 | 9 | 8 |
|                       | 0    | DS0  | 0    | 0    | 0  | 0  | 0 | 0 |
|                       | 7    | 6    | 5    | 4    | 3  | 2  | 1 | 0 |
|                       | SAD1 | SAD0 | DAD1 | DAD0 | 0  | 0  | 0 | 0 |

|     |                               |  |
|-----|-------------------------------|--|
| DS0 | Setting of transfer data size |  |
| 0   | 8 bits                        |  |
| 1   | 16 bits                       |  |

|      |      |                                                           |
|------|------|-----------------------------------------------------------|
| SAD1 | SAD0 | Setting of count direction of the transfer source address |
| 0    | 0    | Increment                                                 |
| 0    | 1    | Decrement                                                 |
| 1    | 0    | Fixed                                                     |
| 1    | 1    | Setting prohibited                                        |

|      |      |                                                       |
|------|------|-------------------------------------------------------|
| DAD1 | DAD0 | Setting of count direction of the destination address |
| 0    | 0    | Increment                                             |
| 0    | 1    | Decrement                                             |
| 1    | 0    | Fixed                                                 |
| 1    | 1    | Setting prohibited                                    |

- Cautions**
- Be sure to clear bits 15, 13 to 8, and 3 to 0 of the DADCn register to "0".
  - Set the DADCn register at the following timing when DMA transfer is disabled (DCHCn.Enn bit = 0).
    - Period from after reset to start of first DMA transfer
    - Period from after channel initialization by DCHCn.INITn bit to start of DMA transfer
    - Period from after completion of DMA transfer (DCHCn.TCn bit = 1) to start of the next DMA transfer
  - The DS0 bit specifies the size of the transfer data, and does not control bus sizing. If 8-bit data (DS0 bit = 0) is set, therefore, the lower data bus is not always used.
  - If the transfer data size is set to 16 bits (DS0 bit = 1), transfer cannot be started from an odd address. Transfer is always started from an address with the first bit of the lower address aligned to 0.
  - If DMA transfer is executed on an on-chip peripheral I/O register (as the transfer source or destination), be sure to specify the same transfer size as the register size. For example, to execute DMA transfer on an 8-bit register, be sure to specify 8-bit transfer.

**(5) DMA channel control registers 0 to 3 (DCHC0 to DCHC3)**

The DCHC0 to DCHC3 registers are 8-bit registers that control the DMA transfer operating mode for DMA channel n.

These registers can be read or written in 8-bit or 1-bit units. (However, bit 7 is read-only and bits 1 and 2 are write-only. If bit 1 or 2 is read, the read value is always 0.)

Reset sets these registers to 00H.

|                  |                       |                                                                                |   |   |   |                         |                        |     |
|------------------|-----------------------|--------------------------------------------------------------------------------|---|---|---|-------------------------|------------------------|-----|
| After reset: 00H | R/W                   | Address: DCHC0 FFFFF0E0H, DCHC1 FFFFF0E2H,<br>DCHC2 FFFFF0E4H, DCHC3 FFFFF0E6H |   |   |   |                         |                        |     |
| DCHCn            | <7>                   | 6                                                                              | 5 | 4 | 3 | <2>                     | <1>                    | <0> |
| (n = 0 to 3)     | TCn <sup>Note 1</sup> | 0                                                                              | 0 | 0 | 0 | INITn <sup>Note 2</sup> | STGn <sup>Note 2</sup> | Enn |

|                                                                           |                                                                                       |
|---------------------------------------------------------------------------|---------------------------------------------------------------------------------------|
| TCn <sup>Note 1</sup>                                                     | Status flag indicates whether DMA transfer through DMA channel n has completed or not |
| 0                                                                         | DMA transfer had not completed.                                                       |
| 1                                                                         | DMA transfer had completed.                                                           |
| It is set to 1 on the last DMA transfer and cleared to 0 when it is read. |                                                                                       |

|                         |                                                                                                                                                                                                                                                                                                                                                                                                                                                                        |
|-------------------------|------------------------------------------------------------------------------------------------------------------------------------------------------------------------------------------------------------------------------------------------------------------------------------------------------------------------------------------------------------------------------------------------------------------------------------------------------------------------|
| INITn <sup>Note 2</sup> | If the INITn bit is set to 1 with DMA transfer disabled (Enn bit = 0), the DMA transfer status can be initialized.<br>When re-setting the DMA transfer status (re-setting the DDAnH, DDAnL, DSAnH, DSAnL, DBCn, and DADCn registers) before DMA transfer is completed (before the TCn bit is set to 1), be sure to initialize the DMA channel.<br>When initializing the DMA controller, however, be sure to observe the procedure described in <b>18.13 Cautions</b> . |
|-------------------------|------------------------------------------------------------------------------------------------------------------------------------------------------------------------------------------------------------------------------------------------------------------------------------------------------------------------------------------------------------------------------------------------------------------------------------------------------------------------|

|                        |                                                                                                                                                                      |
|------------------------|----------------------------------------------------------------------------------------------------------------------------------------------------------------------|
| STGn <sup>Note 2</sup> | This is a software startup trigger of DMA transfer.<br>If this bit is set to 1 in the DMA transfer enable state (TCn bit = 0, Enn bit = 1), DMA transfer is started. |
|------------------------|----------------------------------------------------------------------------------------------------------------------------------------------------------------------|

|                                                                                                                                                                                                                                                                                                                                                                                                      |                                                                                    |
|------------------------------------------------------------------------------------------------------------------------------------------------------------------------------------------------------------------------------------------------------------------------------------------------------------------------------------------------------------------------------------------------------|------------------------------------------------------------------------------------|
| Enn                                                                                                                                                                                                                                                                                                                                                                                                  | Setting of whether DMA transfer through DMA channel n is to be enabled or disabled |
| 0                                                                                                                                                                                                                                                                                                                                                                                                    | DMA transfer disabled                                                              |
| 1                                                                                                                                                                                                                                                                                                                                                                                                    | DMA transfer enabled                                                               |
| DMA transfer is enabled when the Enn bit is set to 1.<br>When DMA transfer is completed (when a terminal count is generated), this bit is automatically cleared to 0.<br>To abort DMA transfer, clear the Enn bit to 0 by software. To resume, set the Enn bit to 1 again.<br>When aborting or resuming DMA transfer, however, be sure to observe the procedure described in <b>18.13 Cautions</b> . |                                                                                    |

**Notes 1.** The TCn bit is read-only.

**2.** The INITn and STGn bits are write-only.

**Cautions 1.** Be sure to clear bits 6 to 3 of the DCHCn register to 0.

**2.** When DMA transfer is completed (when a terminal count is generated), the Enn bit is cleared to 0 and then the TCn bit is set to 1. If the DCHCn register is read while its bits are being updated, a value indicating “transfer not completed and transfer is disabled” (TCn bit = 0 and Enn bit = 0) may be read.

**(6) DMA trigger factor registers 0 to 3 (DTFR0 to DTFR3)**

The DTFR0 to DTFR3 registers are 8-bit registers that control the DMA transfer start trigger via interrupt request signals from on-chip peripheral I/O.

The interrupt request signals set by these registers serve as DMA transfer start factors.

These registers can be read or written in 8-bit units. However, DF<sub>n</sub> bit can be read or written in 1-bit units.

Reset sets these registers to 00H.

(1/2)

After reset: 00H    R/W    Address: DTFR0 FFFFF810H, DTFR1 FFFFF812H,  
DTFR2 FFFFF814H, DTFR3 FFFFF816H

|                   |                 |   |                   |                   |                   |                   |                   |                   |
|-------------------|-----------------|---|-------------------|-------------------|-------------------|-------------------|-------------------|-------------------|
|                   | <7>             | 6 | 5                 | 4                 | 3                 | 2                 | 1                 | 0                 |
| DTFR <sub>n</sub> | DF <sub>n</sub> | 0 | IFC <sub>n5</sub> | IFC <sub>n4</sub> | IFC <sub>n3</sub> | IFC <sub>n2</sub> | IFC <sub>n1</sub> | IFC <sub>n0</sub> |

(n = 0 to 3)

|                                 |                                  |
|---------------------------------|----------------------------------|
| DF <sub>n</sub> <sup>Note</sup> | DMA transfer request status flag |
| 0                               | No DMA transfer request          |
| 1                               | DMA transfer request             |

**Note** Do not set the DF<sub>n</sub> bit to “1” by software. Write 0 to this bit to clear a DMA transfer request if an interrupt that is specified as the cause of starting DMA transfer occurs while DMA transfer is disabled.

**Caution 1.** Set the IFC<sub>n5</sub> to IFC<sub>n0</sub> bits at the following timing when DMA transfer is disabled (DCHC<sub>n</sub>.Enn bit = 0).

- Period from after reset to start of first DMA transfer
- Period from after channel initialization by DCHC<sub>n</sub>.INIT<sub>n</sub> bit to start of DMA transfer
- Period from after completion of DMA transfer (DCHC<sub>n</sub>.TC<sub>n</sub> bit = 1) to start of the next DMA transfer

**Cautions 2.** Be sure to follow the steps below when changing the DTFRn register settings.

- When the values to be set to bits IFCn5 to IFCn0 are not set to bits IFCm5 to IFCm0 of another channel ( $n = 0$  to  $3$ ,  $m = 0$  to  $3$ ,  $n \neq m$ )
    - <1> Stop the DMA<sub>n</sub> operation of the channel to be rewritten (DCHCn.Enn bit = 0).
    - <2> Change the DTFRn register settings. (Be sure to set DF<sub>n</sub> bit = 0 and change the settings in the 8-bit manipulation.)
    - <3> Confirm that DF<sub>n</sub> bit = 0. (Stop the interrupt generation source operation beforehand.)
    - <4> Enable the DMA<sub>n</sub> operation (Enn bit = 1).
  - When the values to be set to bits IFCn5 to IFCn0 are set to bits IFCm5 to IFCm0 of another channel ( $n = 0$  to  $3$ ,  $m = 0$  to  $3$ ,  $n \neq m$ )
    - <1> Stop the DMA<sub>n</sub> operation of the channel to be rewritten (DCHCn.Enn bit = 0).
    - <2> Stop the DMA<sub>m</sub> operation of the channel where the same values are set to bits IFCm5 to IFCm0 as the values to be used to rewrite bits IFCn5 to IFCn0 (DCHCm.Emm bit = 0).
    - <3> Change the DTFRn register settings. (Be sure to set DF<sub>n</sub> bit = 0 and change the settings in the 8-bit manipulation.)
    - <4> Confirm that bits DF<sub>n</sub> and DF<sub>m</sub> = 0. (Stop the interrupt generation source operation beforehand.)
    - <5> Enable the DMA<sub>n</sub> operation (bits Enn and Emm = 1).
3. An interrupt request that is generated in the standby mode (IDLE1, IDLE2, STOP, or sub-IDLE mode) does not start the DMA transfer cycle (nor is the DF<sub>n</sub> bit set to 1).
  4. If a DMA start factor is selected by the IFCn5 to IFCn0 bits, the DF<sub>n</sub> bit is set to 1 when an interrupt occurs from the selected on-chip peripheral I/O, regardless of whether the DMA transfer is enabled or disabled. If DMA is enabled in this status, DMA transfer is immediately started.

**Remark** For the IFCn5 to IFCn0 bits, see **Table 18-1 DMA Start Factors**.

Table 18-1. DMA Start Factors

| IFCn5            | IFCn4 | IFCn3 | IFCn2 | IFCn1 | IFCn0 | Interrupt Source                  |
|------------------|-------|-------|-------|-------|-------|-----------------------------------|
| 0                | 0     | 0     | 0     | 0     | 0     | DMA request by interrupt disabled |
| 0                | 0     | 0     | 0     | 0     | 1     | INTP0                             |
| 0                | 0     | 0     | 0     | 1     | 0     | INTP1                             |
| 0                | 0     | 0     | 0     | 1     | 1     | INTP2                             |
| 0                | 0     | 0     | 1     | 0     | 0     | INTP3                             |
| 0                | 0     | 0     | 1     | 0     | 1     | INTP4                             |
| 0                | 0     | 0     | 1     | 1     | 0     | INTP5                             |
| 0                | 0     | 0     | 1     | 1     | 1     | INTP6                             |
| 0                | 0     | 1     | 0     | 0     | 0     | INTP7                             |
| 0                | 0     | 1     | 1     | 1     | 0     | INTTP0OV                          |
| 0                | 0     | 1     | 1     | 1     | 1     | INTTP0CC0                         |
| 0                | 1     | 0     | 0     | 0     | 0     | INTTP0CC1                         |
| 0                | 1     | 0     | 0     | 0     | 1     | INTTP1OV                          |
| 0                | 1     | 0     | 0     | 1     | 0     | INTTP1CC0                         |
| 0                | 1     | 0     | 0     | 1     | 1     | INTTP1CC1                         |
| 0                | 1     | 0     | 1     | 0     | 0     | INTTP2OV                          |
| 0                | 1     | 0     | 1     | 0     | 1     | INTTP2CC0                         |
| 0                | 1     | 0     | 1     | 1     | 0     | INTTP2CC1                         |
| 0                | 1     | 0     | 1     | 1     | 1     | INTTP3CC0                         |
| 0                | 1     | 1     | 0     | 0     | 0     | INTTP3CC1                         |
| 0                | 1     | 1     | 0     | 0     | 1     | INTTP4CC0                         |
| 0                | 1     | 1     | 0     | 1     | 0     | INTTP4CC1                         |
| 0                | 1     | 1     | 0     | 1     | 1     | INTTP5CC0 <sup>Note</sup>         |
| 0                | 1     | 1     | 1     | 0     | 0     | INTTP5CC1 <sup>Note</sup>         |
| 0                | 1     | 1     | 1     | 0     | 1     | INTTM0EQ0                         |
| 0                | 1     | 1     | 1     | 1     | 0     | INTCB0R/INTIIC1                   |
| 0                | 1     | 1     | 1     | 1     | 1     | INTCB0T                           |
| 1                | 0     | 0     | 0     | 0     | 0     | INTCB1R                           |
| 1                | 0     | 0     | 0     | 0     | 1     | INTCB1T                           |
| 1                | 0     | 0     | 1     | 0     | 0     | INTCB3R                           |
| 1                | 0     | 0     | 1     | 0     | 1     | INTCB3T                           |
| 1                | 0     | 0     | 1     | 1     | 0     | INTUA0R                           |
| 1                | 0     | 0     | 1     | 1     | 1     | INTUA0T                           |
| 1                | 0     | 1     | 0     | 0     | 0     | INTUA1R                           |
| 1                | 0     | 1     | 0     | 0     | 1     | INTUA1T                           |
| 1                | 0     | 1     | 0     | 1     | 0     | INTIIC0                           |
| 1                | 0     | 1     | 1     | 0     | 0     | INTAD                             |
| 1                | 0     | 1     | 1     | 0     | 1     | INTKR                             |
| Other than above |       |       |       |       |       | Setting prohibited                |

**Note**  $\mu$ PD703253Y only

**Remark** n = 0 to 3

## 18.4 Transfer Targets

Table 18-2 shows the relationship between the transfer targets (√: Transfer enabled, ×: Transfer disabled).

**Table 18-2. Relationship Between Transfer Targets**

|        |                        | Transfer Destination |                        |              |                 |
|--------|------------------------|----------------------|------------------------|--------------|-----------------|
|        |                        | Internal ROM         | On-Chip Peripheral I/O | Internal RAM | External Memory |
| Source | On-chip peripheral I/O | ×                    | √                      | √            | √               |
|        | Internal RAM           | ×                    | √                      | ×            | √               |
|        | External memory        | ×                    | √                      | √            | √               |
|        | Internal ROM           | ×                    | ×                      | ×            | ×               |

**Caution** The operation is not guaranteed for combinations of transfer destination and source marked with “×” in Table 18-2.

## 18.5 Transfer Modes

Single transfer is supported as the transfer mode.

In single transfer mode, the bus is released at each byte/halfword transfer. If there is a subsequent DMA transfer request, transfer is performed again once. This operation continues until a terminal count occurs.

When the DMAC has released the bus, if another higher priority DMA transfer request is issued, the higher priority DMA request always takes precedence.

If a new transfer request of the same channel and a transfer request of another channel with a lower priority are generated in a transfer cycle, DMA transfer of the channel with the lower priority is executed after the bus is released to the CPU (the new transfer request of the same channel is ignored in the transfer cycle).

## 18.6 Transfer Types

As a transfer type, the 2-cycle transfer is supported.

In two-cycle transfer, data transfer is performed in two cycles, a read cycle and a write cycle.

In the read cycle, the transfer source address is output and reading is performed from the source to the DMAC. In the write cycle, the transfer destination address is output and writing is performed from the DMAC to the destination.

An idle cycle of one clock is always inserted between a read cycle and a write cycle. If the data bus width differs between the transfer source and destination for DMA transfer of two cycles, the operation is performed as follows.

<16-bit data transfer>

<1> Transfer from 32-bit bus → 16-bit bus

A read cycle (the higher 16 bits are in a high-impedance state) is generated, followed by generation of a write cycle (16 bits).

<2> Transfer from 16-/32-bit bus to 8-bit bus

A 16-bit read cycle is generated once, and then an 8-bit write cycle is generated twice.

<3> Transfer from 8-bit bus to 16-/32-bit bus

An 8-bit read cycle is generated twice, and then a 16-bit write cycle is generated once.

<4> Transfer between 16-bit bus and 32-bit bus

A 16-bit read cycle is generated once, and then a 16-bit write cycle is generated once.

For DMA transfer executed to an on-chip peripheral I/O register (transfer source/destination), be sure to specify the same transfer size as the register size. For example, for DMA transfer to an 8-bit register, be sure to specify byte (8-bit) transfer.

**Remark** The bus width of each transfer target (transfer source/destination) is as follows.

- On-chip peripheral I/O: 16-bit bus width
- Internal RAM: 32-bit bus width
- External memory: 8-bit or 16-bit bus width



## 18.7 DMA Channel Priorities

The DMA channel priorities are fixed as follows.

DMA channel 0 > DMA channel 1 > DMA channel 2 > DMA channel 3

The priorities are checked for every transfer cycle.

## 18.8 Time Related to DMA Transfer

The time required to respond to a DMA request, and the minimum number of clocks required for DMA transfer are shown below.

Single transfer: DMA response time (<1>) + Transfer source memory access (<2>) + 1<sup>Note 1</sup> + Transfer destination memory access (<2>)

| DMA Cycle                     |                                | Minimum Number of Execution Clocks                                            |
|-------------------------------|--------------------------------|-------------------------------------------------------------------------------|
| <1> DMA request response time |                                | 4 clocks (MIN.) + Noise elimination time <sup>Note 2</sup>                    |
| <2> Memory access             | External memory access         | Depends on connected memory.                                                  |
|                               | Internal RAM access            | 2 clocks <sup>Note 3</sup>                                                    |
|                               | Peripheral I/O register access | 3 clocks + Number of wait cycles specified by VSWC register <sup>Note 4</sup> |

- Notes**
- One clock is always inserted between a read cycle and a write cycle in DMA transfer.
  - If an external interrupt (INTPn) is specified as the trigger to start DMA transfer, noise elimination time is added (n = 0 to 7).
  - Two clocks are required for a DMA cycle.
  - More wait cycles are necessary for accessing a specific peripheral I/O register (for details, see 3.4.9 (2)).

## 18.9 DMA Transfer Start Factors

There are two types of DMA transfer start factors, as shown below.

### (1) Request by software

If the STGn bit is set to 1 while the DCHCn.TCn bit = 0 and Enn bit = 1 (DMA transfer enabled), DMA transfer is started.

To request the next DMA transfer cycle immediately after that, confirm, by using the DBCn register, that the preceding DMA transfer cycle has been completed, and set the STGn bit to 1 again (n = 0 to 3).

TCn bit = 0, Enn bit = 1

↓

STGn bit = 1 ... Starts the first DMA transfer.

↓

Confirm that the contents of the DBCn register have been updated.

STGn bit = 1 ... Starts the second DMA transfer.

↓

:

↓

Generation of terminal count ... Enn bit = 0, TCn bit = 1, and INTDMA<sub>n</sub> signal is generated.

### (2) Request by on-chip peripheral I/O

If an interrupt request is generated from the on-chip peripheral I/O set by the DTFRn register when the DCHCn.TCn bit = 0 and Enn bit = 1 (DMA transfer enabled), DMA transfer is started.

- Cautions**
- Two start factors (software trigger and hardware trigger) cannot be used for one DMA channel. If two start factors are simultaneously generated for one DMA channel, only one of them is valid. The start factor that is valid cannot be identified.**
  - A new transfer request that is generated after the preceding DMA transfer request was generated or in the preceding DMA transfer cycle is ignored (cleared).**
  - The transfer request interval of the same DMA channel varies depending on the setting of bus wait in the DMA transfer cycle, the start status of the other channels, or the external bus hold request. In particular, as described in Caution 2, a new transfer request that is generated for the same channel before the DMA transfer cycle or during the DMA transfer cycle is ignored. Therefore, the transfer request intervals for the same DMA channel must be sufficiently separated by the system. When the software trigger is used, completion of the DMA transfer cycle that was generated before can be checked by updating the DBCn register.**

### 18.10 DMA Abort Factors

DMA transfer is aborted if a bus hold occurs.

The same applies if transfer is executed between the internal memory/on-chip peripheral I/O and internal memory/on-chip peripheral I/O.

When the bus hold is cleared, DMA transfer is resumed.

### 18.11 End of DMA Transfer

When DMA transfer has been completed the number of times set to the DBCn register and when the DCHCn.Enn bit is cleared to 0 and TCn bit is set to 1, a DMA transfer end interrupt request signal (INTDMA<sub>n</sub>) is generated for the interrupt controller (INTC) (n = 0 to 3).

The  $\mu$ PD703253Y does not output a terminal count signal to an external device. Therefore, confirm completion of DMA transfer by using the DMA transfer end interrupt or polling the TCn bit.

### 18.12 Operation Timing

Figures 18-1 to 18-4 show DMA operation timing.

Figure 18-1. Priority of DMA (1)

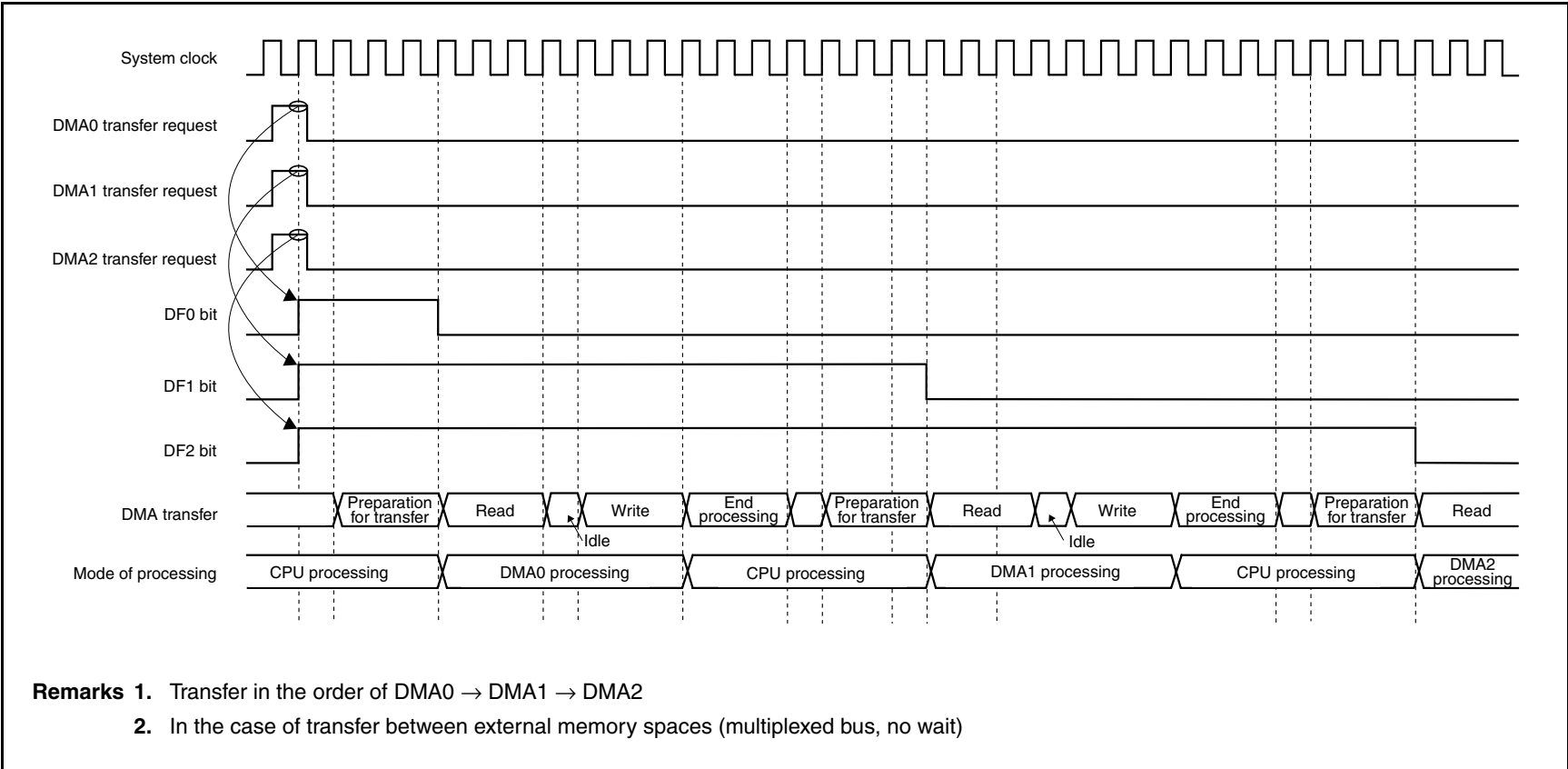
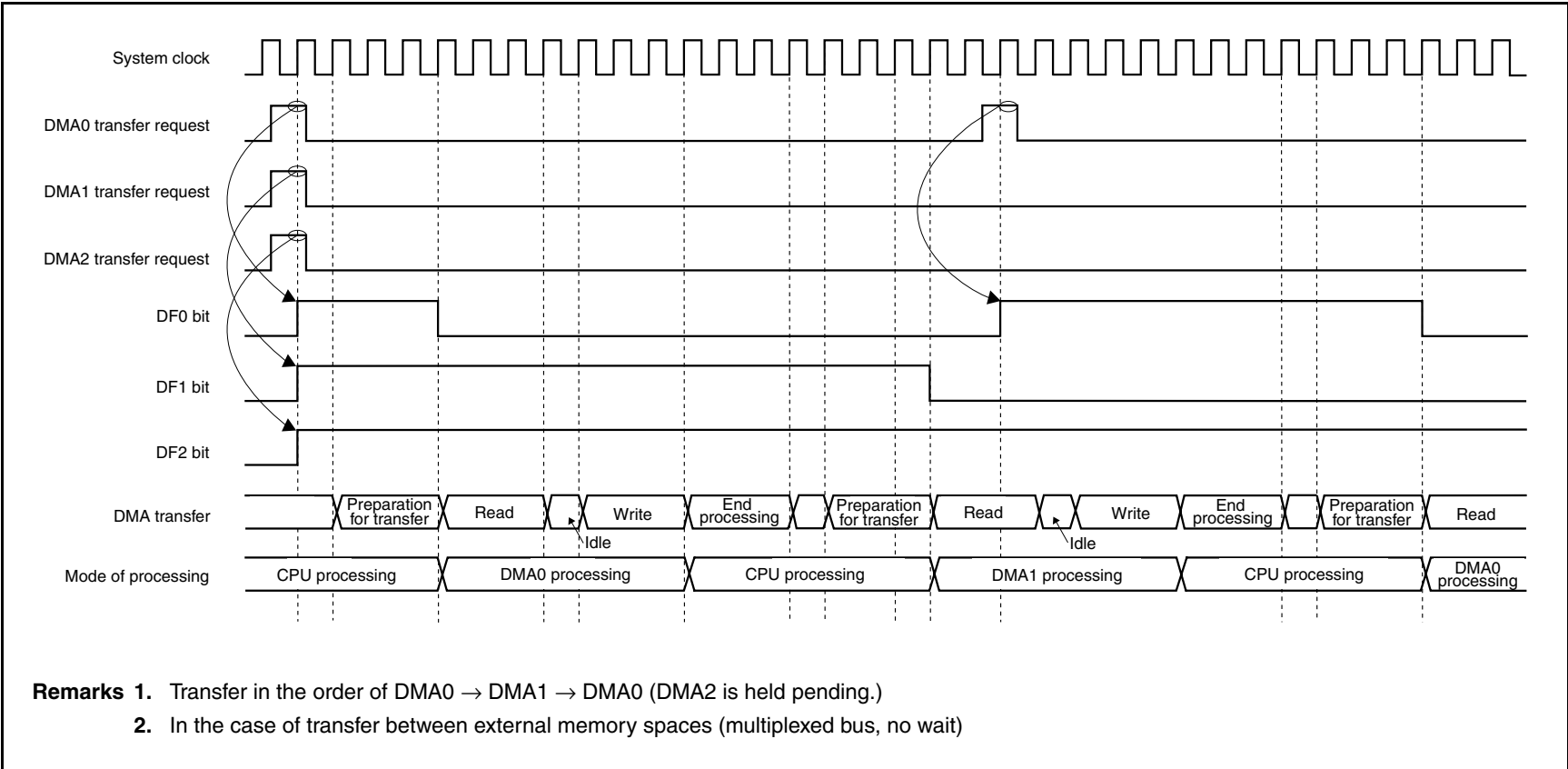


Figure 18-2. Priority of DMA (2)



- Remarks**
1. Transfer in the order of DMA0 → DMA1 → DMA0 (DMA2 is held pending.)
  2. In the case of transfer between external memory spaces (multiplexed bus, no wait)

Figure 18-3. Period in Which DMA Transfer Request Is Ignored (1)

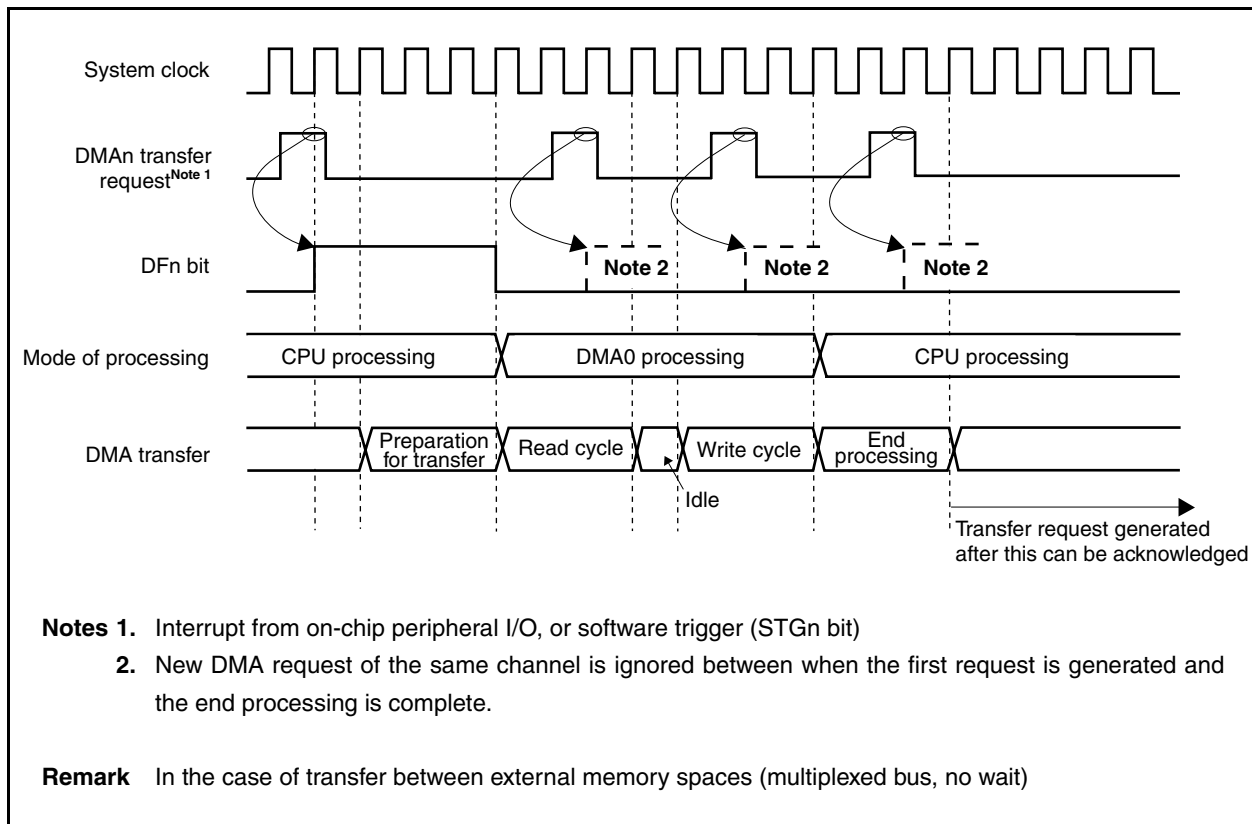
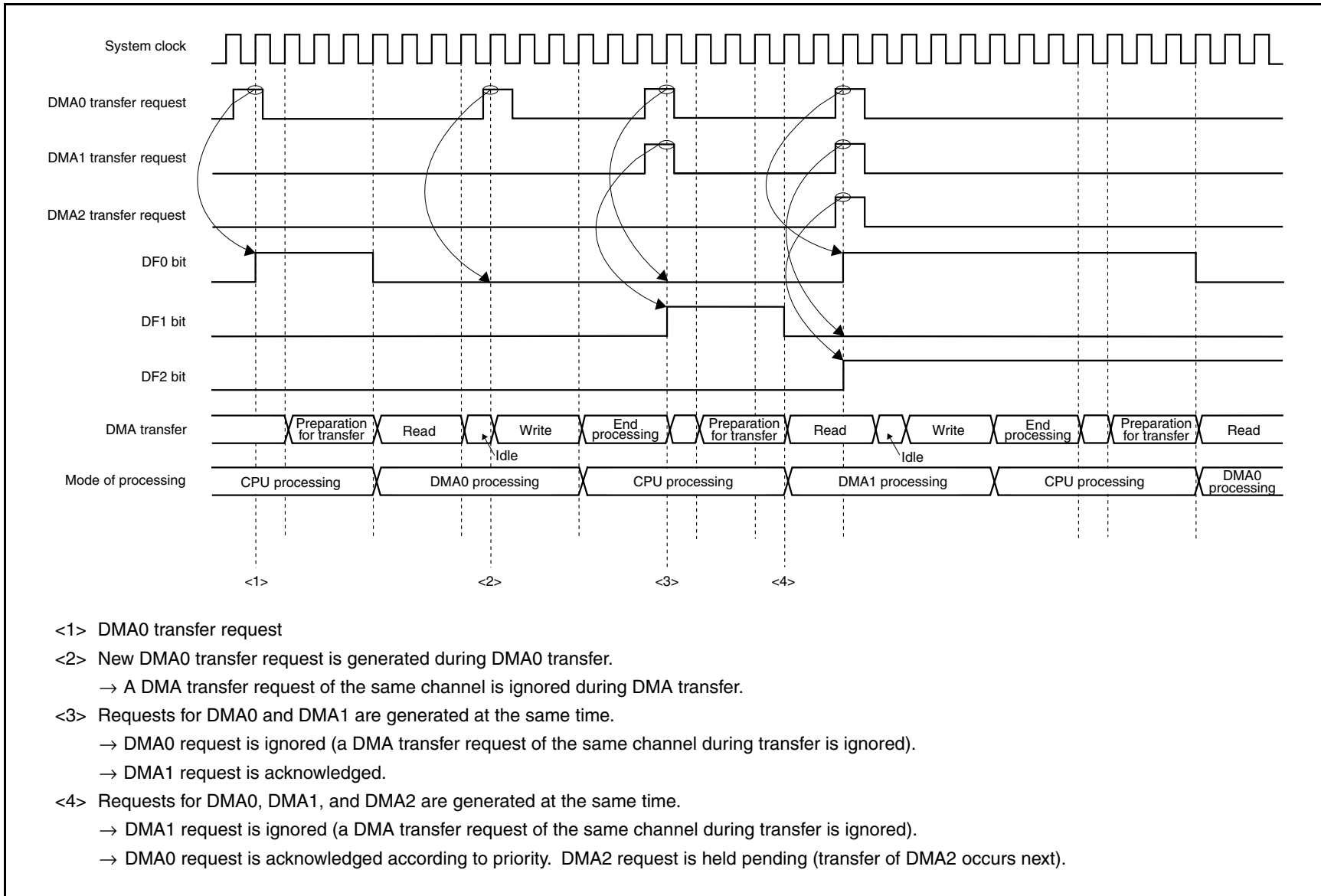


Figure 18-4. Period in Which DMA Transfer Request Is Ignored (2)



## 18.13 Cautions

### (1) Caution for VSWC register

When using the DMAC, be sure to set an appropriate value, in accordance with the operating frequency, to the VSWC register.

When the default value (77H) of the VSWC register is used, or if an inappropriate value is set to the VSWC register, the operation is not correctly performed (for details of the VSWC register, see **3.4.9 (1) (a) System wait control register (VSWC)**).

### (2) Caution for DMA transfer executed on internal RAM

When executing the following instructions located in the internal RAM, do not execute a DMA transfer that transfers data to/from the internal RAM (transfer source/destination), because the CPU may not operate correctly afterward.

- Bit manipulation instruction located in internal RAM (SET1, CLR1, or NOT1)
- Data access instruction to misaligned address located in internal RAM

Conversely, when executing a DMA transfer to transfer data to/from the internal RAM (transfer source/destination), do not execute the above two instructions.

### (3) Caution for reading DCHCn.TCn bit (n = 0 to 3)

The TCn bit is cleared to 0 when it is read, but it is not automatically cleared even if it is read at a specific timing. To accurately clear the TCn bit, add the following processing.

#### (a) When waiting for completion of DMA transfer by polling TCn bit

Confirm that the TCn bit has been set to 1 (after TCn bit = 1 is read), and then read the TCn bit three more times.

#### (b) When reading TCn bit in interrupt servicing routine

Execute reading the TCn bit three times.



**(4) DMA transfer initialization procedure (setting DHCn.INITn bit to 1)**

Even if the INITn bit is set to 1 when the channel executing DMA transfer is to be initialized, the channel may not be initialized. To accurately initialize the channel, execute either of the following two procedures.

**(a) Temporarily stop transfer of all DMA channels**

Initialize the channel executing DMA transfer using the procedure in <1> to <7> below.

Note, however, that TCn bit is cleared to 0 when step <5> is executed. Make sure that the other processing programs do not expect that the TCn bit is 1.

<1> Disable interrupts (DI).

<2> Read the DHCn.Enn bit of DMA channels other than the one to be forcibly terminated, and transfer the value to a general-purpose register.

<3> Clear the Enn bit of the DMA channels used (including the channel to be forcibly terminated) to 0. To clear the Enn bit of the last DMA channel, execute the clear instruction twice. If the target of DMA transfer (transfer source/destination) is the internal RAM, execute the instruction three times.

Example: Execute instructions in the following order if channels 0, 1, and 2 are used (if the target of transfer is not the internal RAM).

- Clear DHC0.E00 bit to 0.
- Clear DHC1.E11 bit to 0.
- Clear DHC2.E22 bit to 0.
- Clear DHC2.E22 bit to 0 again.

<4> Set the INITn bit of the channel to be forcibly terminated to 1.

<5> Read the TCn bit of each channel not to be forcibly terminated. If both the TCn bit and the Enn bit read in <2> are 1 (logical product (AND) is 1), clear the saved Enn bit to 0.

<6> After the operation in <5>, write the Enn bit value to the DHCn register.

<7> Enable interrupts (EI).

**Caution** Be sure to execute step <5> above to prevent illegal setting of the Enn bit of the channels whose DMA transfer has been normally completed between <2> and <3>.

**(b) Repeatedly execute setting INITn bit until transfer is forcibly terminated correctly**

- <1> Suppress a request from the DMA request source of the channel to be forcibly terminated (stop operation of the on-chip peripheral I/O).
- <2> Check that the DMA transfer request of the channel to be forcibly terminated is not held pending, by using the DTFRn.DFn bit. If a DMA transfer request is held pending, wait until execution of the pending request is completed.
- <3> When it has been confirmed that the DMA request of the channel to be forcibly terminated is not held pending, clear the Enn bit to 0.
- <4> Again, clear the Enn bit of the channel to be forcibly terminated.  
If the target of transfer for the channel to be forcibly terminated (transfer source/destination) is the internal RAM, execute this operation once more.
- <5> Copy the initial number of transfers of the channel to be forcibly terminated to a general-purpose register.
- <6> Set the INITn bit of the channel to be forcibly terminated to 1.
- <7> Read the value of the DBCn register of the channel to be forcibly terminated, and compare it with the value copied in <5>. If the two values do not match, repeat operations <6> and <7>.

- Remarks**
1. When the value of the DBCn register is read in <7>, the initial number of transfers is read if forced termination has been correctly completed. If not, the remaining number of transfers is read.
  2. Note that method (b) may take a long time if the application frequently uses DMA transfer for a channel other than the DMA channel to be forcibly terminated.

**(5) Procedure of temporarily stopping DMA transfer (clearing Enn bit)**

Stop and resume the DMA transfer under execution using the following procedure.

- <1> Suppress a transfer request from the DMA request source (stop the operation of the on-chip peripheral I/O).
- <2> Check the DMA transfer request is not held pending, by using the DFn bit (check if the DFn bit = 0).  
If a request is pending, wait until execution of the pending DMA transfer request is completed.
- <3> If it has been confirmed that no DMA transfer request is held pending, clear the Enn bit to 0 (this operation stops DMA transfer).
- <4> Set the Enn bit to 1 to resume DMA transfer.
- <5> Resume the operation of the DMA request source that has been stopped (start the operation of the on-chip peripheral I/O).

**(6) Memory boundary**

The operation is not guaranteed if the address of the transfer source or destination exceeds the area of the DMA target (external memory, internal RAM, or on-chip peripheral I/O) during DMA transfer.

**(7) Transferring misaligned data**

DMA transfer of misaligned data with a 16-bit bus width is not supported.

If an odd address is specified as the transfer source or destination, the least significant bit of the address is forcibly assumed to be 0.

**(8) Bus arbitration for CPU**

Because the DMA controller has a higher priority bus mastership than the CPU, a CPU access that takes place during DMA transfer is held pending until the DMA transfer cycle is completed and the bus is released to the CPU.

However, the CPU can access the internal ROM and internal RAM for which DMA transfer is not being executed.

- The CPU can access the internal ROM and internal RAM when DMA transfer is being executed between the external memory and on-chip peripheral I/O.
- The CPU can access the internal ROM when DMA transfer is being executed between the on-chip peripheral I/O and internal RAM.

**(9) Registers/bits that must not be rewritten during DMA operation**

Set the following registers at the following timing when a DMA operation is not under execution.

[Registers]

- DSAnH, DSAnL, DDAnH, DDAnL, DBCn, and DADCn registers
- DTFRn.IFCn5 to DTFRn.IFCn0 bits

[Timing of setting]

- Period from after reset to start of the first DMA transfer
- Time after channel initialization to start of DMA transfer
- Period from after completion of DMA transfer (TCn bit = 1) to start of the next DMA transfer

**(10) Be sure to set the following register bits to 0.**

- Bits 14 to 10 of DSAnH register
- Bits 14 to 10 of DDAnH register
- Bits 15, 13 to 8, and 3 to 0 of DADCn register
- Bits 6 to 3 of DCHCn register

**(11) DMA start factor**

Care must be exercised when setting the same start trigger for multiple DMA channels.

If DMA transfers via such DMA channels are activated, the DMA channel with a lower priority may be acknowledged prior to the DMA channel with a higher priority.

**(12) Read values of DSAn and DDAn registers**

Values in the middle of updating may be read from the DSAn and DDAn registers during DMA transfer (n = 0 to 3).

For example, if the DSAnH register and then the DSAnL register are read when the DMA transfer source address (DSAn register) is 0000FFFFH and the count direction is incremental (DADCn.SAD1 and DADCn.SAD0 bits = 00), the value of the DSAn register differs as follows, depending on whether DMA transfer is executed immediately after the DSAnH register is read.

**(a) If DMA transfer does not occur while DSAn register is read**

- <1> Read value of DSAnH register: DSAnH = 0000H
- <2> Read value of DSAnL register: DSAnL = FFFFH

**(b) If DMA transfer occurs while DSAn register is read**

- <1> Read value of DSAnH register: DSAnH = 0000H
- <2> Occurrence of DMA transfer
- <3> Incrementing DSAn register: DSAn = 00100000H
- <4> Read value of DSAnL register: DSAnL = 0000H

## CHAPTER 19 INTERRUPT/EXCEPTION PROCESSING FUNCTION

<R> The V850ES/SG1 is provided with a dedicated interrupt controller (INTC) for interrupt servicing and can process a total of 41 to 52 interrupt requests.

An interrupt is an event that occurs independently of program execution, and an exception is an event whose occurrence is dependent on program execution.

The V850ES/SG1 can process interrupt request signals from the on-chip peripheral hardware and external sources. Moreover, exception processing can be started by the TRAP instruction (software exception) or by generation of an exception event (i.e. fetching of an illegal opcode) (exception trap).

### 19.1 Features

#### ○ Interrupts

- Non-maskable interrupts: 2 sources
- Maskable interrupts: External: 8, Internal: 31/35/42 sources
- 8 levels of programmable priorities (maskable interrupts)
- Multiple interrupt control according to priority
- Masks can be specified for each maskable interrupt request.
- Noise elimination, edge detection, and valid edge specification for external interrupt request signals.

#### ○ Exceptions

- Software exceptions: 32 sources
- Exception trap: 2 sources (illegal opcode exception)

Interrupt/exception sources are listed in Table 19-1.

**Table 19-1. Interrupt Source List (1/4)**

| Type               | Classification | Default Priority | Name                     | Trigger                                           | Generating Unit | Exception Code          | Handler Address | Restored PC   | Interrupt Control Register |
|--------------------|----------------|------------------|--------------------------|---------------------------------------------------|-----------------|-------------------------|-----------------|---------------|----------------------------|
| Reset              | Interrupt      | –                | RESET                    | RESET pin input<br>Reset input by internal source | RESET           | 0000H                   | 00000000H       | Undefined     | –                          |
| Non-maskable       | Interrupt      | –                | NMI                      | NMI pin valid edge input                          | Pin             | 0010H                   | 00000010H       | nextPC        | –                          |
|                    |                | –                | INTWDT2                  | WDT2 overflow                                     | WDT2            | 0020H                   | 00000020H       | <b>Note 1</b> | –                          |
| Software exception | Exception      | –                | TRAP0 <sup>Note 2</sup>  | TRAP instruction                                  | –               | 004nH <sup>Note 2</sup> | 00000040H       | nextPC        | –                          |
|                    |                | –                | TRAP1n <sup>Note 2</sup> | TRAP instruction                                  | –               | 005nH <sup>Note 2</sup> | 00000050H       | nextPC        | –                          |
| Exception trap     | Exception      | –                | ILGOP/<br>DBG0           | Illegal opcode/<br>DBTRAP instruction             | –               | 0060H                   | 00000060H       | nextPC        | –                          |

**Notes 1.** For the restoring in the case of INTWDT2, see 19.2.2 (2) INTWDT2 signal.

**2.** n = 0 to FH

Table 19-1. Interrupt Source List (2/4)

| Type                     | Classification | Default Priority | Name                      | Trigger                                             | Generating Unit | Exception Code | Handler Address | Restored PC | Interrupt Control Register |
|--------------------------|----------------|------------------|---------------------------|-----------------------------------------------------|-----------------|----------------|-----------------|-------------|----------------------------|
| <R><br><R><br><R><br><R> | Interrupt      | 1                | INTP0                     | External interrupt pin input edge detection (INTP0) | Pin             | 0090H          | 00000090H       | nextPC      | PIC0                       |
|                          |                | 2                | INTP1                     | External interrupt pin input edge detection (INTP1) | Pin             | 00A0H          | 000000A0H       | nextPC      | PIC1                       |
|                          |                | 3                | INTP2                     | External interrupt pin input edge detection (INTP2) | Pin             | 00B0H          | 000000B0H       | nextPC      | PIC2                       |
|                          |                | 4                | INTP3                     | External interrupt pin input edge detection (INTP3) | Pin             | 00C0H          | 000000C0H       | nextPC      | PIC3                       |
|                          |                | 5                | INTP4                     | External interrupt pin input edge detection (INTP4) | Pin             | 00D0H          | 000000D0H       | nextPC      | PIC4                       |
|                          |                | 6                | INTP5                     | External interrupt pin input edge detection (INTP5) | Pin             | 00E0H          | 000000E0H       | nextPC      | PIC5                       |
|                          |                | 7                | INTP6                     | External interrupt pin input edge detection (INTP6) | Pin             | 00F0H          | 000000F0H       | nextPC      | PIC6                       |
|                          |                | 8                | INTP7                     | External interrupt pin input edge detection (INTP7) | Pin             | 0100H          | 00000100H       | nextPC      | PIC7                       |
|                          |                | 14               | INTTP0OV                  | TMP0 overflow                                       | TMP0            | 0160H          | 00000160H       | nextPC      | TP0OVIC                    |
|                          |                | 15               | INTTP0CC0                 | TMP0 capture 0/<br>compare 0 match                  | TMP0            | 0170H          | 00000170H       | nextPC      | TP0CCIC0                   |
|                          |                | 16               | INTTP0CC1                 | TMP0 capture 1/<br>compare 1 match                  | TMP0            | 0180H          | 00000180H       | nextPC      | TP0CCIC1                   |
|                          |                | 17               | INTTP1OV                  | TMP1 overflow                                       | TMP1            | 0190H          | 00000190H       | nextPC      | TP1OVIC                    |
|                          |                | 18               | INTTP1CC0                 | TMP1 capture 0/<br>compare 0 match                  | TMP1            | 01A0H          | 000001A0H       | nextPC      | TP1CCIC0                   |
|                          |                | 19               | INTTP1CC1                 | TMP1 capture 1/<br>compare 1 match                  | TMP1            | 01B0H          | 000001B0H       | nextPC      | TP1CCIC1                   |
|                          |                | 20               | INTTP2OV                  | TMP2 overflow                                       | TMP2            | 01C0H          | 000001C0H       | nextPC      | TP2OVIC                    |
|                          |                | 21               | INTTP2CC0                 | TMP2 capture 0/<br>compare 0 match                  | TMP2            | 01D0H          | 000001D0H       | nextPC      | TP2CCIC0                   |
|                          |                | 22               | INTTP2CC1                 | TMP2 capture 1/<br>compare 1 match                  | TMP2            | 01E0H          | 000001E0H       | nextPC      | TP2CCIC1                   |
|                          |                | 23               | INTTP3OV                  | TMP3 overflow                                       | TMP3            | 01F0H          | 000001F0H       | nextPC      | TP3OVIC                    |
|                          |                | 24               | INTTP3CC0                 | TMP3 capture 0/<br>compare 0 match                  | TMP3            | 0200H          | 00000200H       | nextPC      | TP3CCIC0                   |
|                          |                | 25               | INTTP3CC1                 | TMP3 capture 1/<br>compare 1 match                  | TMP3            | 0210H          | 00000210H       | nextPC      | TP3CCIC1                   |
|                          |                | 26               | INTTP4OV                  | TMP4 overflow                                       | TMP4            | 0220H          | 00000220H       | nextPC      | TP4OVIC                    |
|                          |                | 27               | INTTP4CC0                 | TMP4 capture 0/<br>compare 0 match                  | TMP4            | 0230H          | 00000230H       | nextPC      | TP4CCIC0                   |
|                          |                | 28               | INTTP4CC1                 | TMP4 capture 1/<br>compare 1 match                  | TMP4            | 0240H          | 00000240H       | nextPC      | TP4CCIC1                   |
|                          |                | 29               | INTTP5OV <sup>Note</sup>  | TMP5 overflow                                       | TMP5            | 0250H          | 00000250H       | nextPC      | TP5OVIC                    |
|                          |                | 30               | INTTP5CC0 <sup>Note</sup> | TMP5 capture 0/<br>compare 0 match                  | TMP5            | 0260H          | 00000260H       | nextPC      | TP5CCIC0                   |
|                          |                | 31               | INTTP5CC1 <sup>Note</sup> | TMP5 capture 1/<br>compare 1 match                  | TMP5            | 0270H          | 00000270H       | nextPC      | TP5CCIC1                   |

<R> Note  $\mu$ PD703253Y only

Table 19-1. Interrupt Source List (3/4)

| Type     | Classification | Default Priority                                         | Name                                             | Trigger                                                                           | Generating Unit            | Exception Code | Handler Address | Restored PC       | Interrupt Control Register |        |
|----------|----------------|----------------------------------------------------------|--------------------------------------------------|-----------------------------------------------------------------------------------|----------------------------|----------------|-----------------|-------------------|----------------------------|--------|
| Maskable | Interrupt      | 32                                                       | INTTM0EQ0                                        | TMM0 compare match                                                                | TMM0                       | 0280H          | 00000280H       | nextPC            | TM0EQIC0                   |        |
|          |                | 33                                                       | INTCB0R/<br>INTIIC1                              | CSIB0 reception completion/<br>CSIB0 reception error/<br>IIC1 transfer completion | CSIB0/<br>IIC1             | 0290H          | 00000290H       | nextPC            | CB0RIC/<br>IIC1C1          |        |
|          |                | 34                                                       | INTCB0T                                          | CSIB0 consecutive<br>transmission write enable                                    | CSIB0                      | 02A0H          | 000002A0H       | nextPC            | CB0TIC                     |        |
|          |                | 35                                                       | INTCB1R                                          | CSIB1 reception completion/<br>CSIB1 reception error                              | CSIB1                      | 02B0H          | 000002B0H       | nextPC            | CB1RIC                     |        |
|          |                | 36                                                       | INTCB1T                                          | CSIB1 consecutive<br>transmission write enable                                    | CSIB1                      | 02C0H          | 000002C0H       | nextPC            | CB1TIC                     |        |
|          |                | 39                                                       | INTCB3R                                          | CSIB3 reception completion/<br>CSIB3 reception error                              | CSIB3                      | 02F0H          | 000002F0H       | nextPC            | CB3RIC                     |        |
|          |                | 40                                                       | INTCB3T                                          | CSIB3 consecutive<br>transmission write enable                                    | CSIB3                      | 0300H          | 00000300H       | nextPC            | CB3TIC                     |        |
|          |                | 41                                                       | INTUA0R                                          | UARTA0 reception<br>completion/<br>UART0 reception error                          | UARTA0                     | 0310H          | 00000310H       | nextPC            | UA0RIC                     |        |
|          |                | 42                                                       | INTUA0T                                          | UARTA0 consecutive<br>transmission enable                                         | UARTA0                     | 0320H          | 00000320H       | nextPC            | UA0TIC                     |        |
|          |                | 43                                                       | INTUA1R                                          | UARTA1 reception<br>completion/<br>UARTA1 reception error                         | UARTA1                     | 0330H          | 00000330H       | nextPC            | UA1RIC                     |        |
|          |                | 44                                                       | INTUA1T                                          | UARTA1 consecutive<br>transmission enable                                         | UARTA1                     | 0340H          | 00000340H       | nextPC            | UA1TIC                     |        |
|          |                | 45                                                       | INTIIC0                                          | IIC0 transfer completion                                                          | IIC0                       | 0350H          | 00000350H       | nextPC            | IICIC0                     |        |
|          |                | 47                                                       | INTAD                                            | A/D conversion completion                                                         | A/D                        | 0370H          | 00000370H       | nextPC            | ADIC                       |        |
|          |                | <R>                                                      | 48                                               | INTDMA0 <sup>Note</sup>                                                           | DMA0 transfer completion   | DMA            | 0380H           | 00000380H         | nextPC                     | DMAIC0 |
|          |                | <R>                                                      | 49                                               | INTDMA1 <sup>Note</sup>                                                           | DMA1 transfer completion   | DMA            | 0390H           | 00000390H         | nextPC                     | DMAIC1 |
|          |                | <R>                                                      | 50                                               | INTDMA2 <sup>Note</sup>                                                           | DMA2 transfer completion   | DMA            | 03A0H           | 000003A0H         | nextPC                     | DMAIC2 |
|          |                | <R>                                                      | 51                                               | INTDMA3 <sup>Note</sup>                                                           | DMA3 transfer completion   | DMA            | 03B0H           | 000003B0H         | nextPC                     | DMAIC3 |
|          |                |                                                          | 52                                               | INTKR                                                                             | Key return interrupt       | KR             | 03C0H           | 000003C0H         | nextPC                     | KRIC   |
|          |                |                                                          | 53                                               | INTWTI                                                                            | Watch timer interval       | WT             | 03D0H           | 000003D0H         | nextPC                     | WTIIC  |
|          |                | <R>                                                      | 54                                               | INTWT                                                                             | Watch timer reference time | WT             | 03E0H           | 000003E0H         | nextPC                     | WTIC   |
| <R>      | 55             | INTC0ERR <sup>Note 1</sup> /<br>INTERR <sup>Note 2</sup> | AFCAN0 error/IEBus error                         | AFCAN0/<br>IEBus                                                                  | 03F0H                      | 000003F0H      | nextPC          | ERRIC0/<br>ERRIC  |                            |        |
| <R>      | 56             | INTC0WUP <sup>Note 1</sup> /<br>INTSTA <sup>Note 2</sup> | AFCAN0 wakeup/<br>IEBus status                   | AFCAN0/<br>IEBus                                                                  | 0400H                      | 00000400H      | nextPC          | WUPIC0/<br>STSAIC |                            |        |
| <R>      | 57             | INTCOREC <sup>Note 1</sup> /<br>INTIE1 <sup>Note 2</sup> | AFCAN0 reception/<br>IEBus data interrupt        | AFCAN0/<br>IEBus                                                                  | 0410H                      | 00000410H      | nextPC          | RECIC0/<br>IEIC1  |                            |        |
| <R>      | 58             | INTCOTRX <sup>Note 1</sup> /<br>INTIE2 <sup>Note 2</sup> | AFCAN0 transmission/<br>IEBus error/IEBus status | AFCAN0/<br>IEBus                                                                  | 0420H                      | 00000420H      | nextPC          | TRXIC0/<br>IEIC2  |                            |        |

Notes 1.  $\mu$ PD703253Y only  
2.  $\mu$ PD703252Y only

**Remarks 1.** Default Priority: The priority order when two or more maskable interrupt requests occur at the same time. The highest priority is 1.

The priority order of non-maskable interrupt is INTWDT2 > NMI.

Restored PC: The value of the program counter (PC) saved to EIPC, FEPC, or DBPC when interrupt servicing is started. Note, however, that the restored PC when a non-maskable or maskable interrupt is acknowledged while one of the following instructions is being executed does not become the nextPC (if an interrupt is acknowledged during interrupt execution, execution stops, and then resumes after the interrupt servicing has finished).

- Load instructions (SLD.B, SLD.BU, SLD.H, SLD.HU, SLD.W)
- Division instructions (DIV, DIVH, DIVU, DIVHU)
- PREPARE, DISPOSE instructions (only if an interrupt is generated before the stack pointer is updated)

nextPC: The PC value that starts the processing following interrupt/exception processing.

2. The execution address of the illegal instruction when an illegal opcode exception occurs is calculated by (Restored PC – 4).



## 19.2 Non-Maskable Interrupts

A non-maskable interrupt request signal is acknowledged unconditionally, even when interrupts are in the interrupt disabled (DI) status. An NMI is not subject to priority control and takes precedence over all the other interrupt request signals.

This product has the following two non-maskable interrupt request signals.

- NMI pin input (NMI)
- Non-maskable interrupt request signal generated by overflow of watchdog timer (INTWDT2)

The valid edge of the NMI pin can be selected from four types: “rising edge”, “falling edge”, “both edges”, and “no edge detection”.

The non-maskable interrupt request signal generated by overflow of watchdog timer 2 (INTWDT2) functions when the WDTM2.WDM21 and WDTM2.WDM20 bits are set to “01”.

If two or more non-maskable interrupt request signals occur at the same time, the interrupt with the higher priority is serviced, as follows (the interrupt request signal with the lower priority is ignored).

INTWDT2 > NMI

If a new NMI or INTWDT2 request signal is issued while an NMI is being serviced, it is serviced as follows.

### (1) If new NMI request signal is issued while NMI is being serviced

The new NMI request signal is held pending, regardless of the value of the PSW.NP bit. The pending NMI request signal is acknowledged after the NMI currently under execution has been serviced (after the RETI instruction has been executed).

### (2) If INTWDT2 request signal is issued while NMI is being serviced

The INTWDT2 request signal is held pending if the NP bit remains set (1) while the NMI is being serviced. The pending INTWDT2 request signal is acknowledged after the NMI currently under execution has been serviced (after the RETI instruction has been executed).

If the NP bit is cleared (0) while the NMI is being serviced, the newly generated INTWDT2 request signal is executed (the NMI servicing is stopped).

**Caution** For the non-maskable interrupt servicing executed by the non-maskable interrupt request signal (INTWDT2), see 19.2.2 (2) INTWDT2 signal.

Figure 19-1. Non-Maskable Interrupt Request Signal Acknowledgment Operation (1/2)

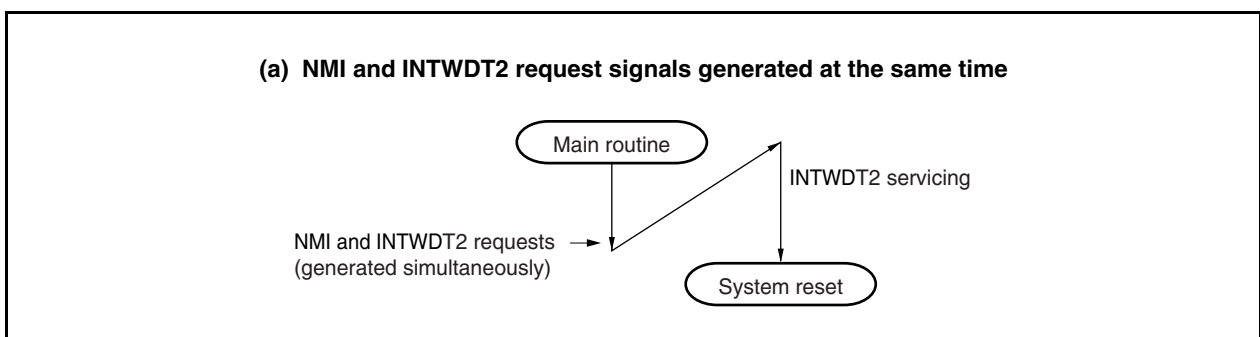
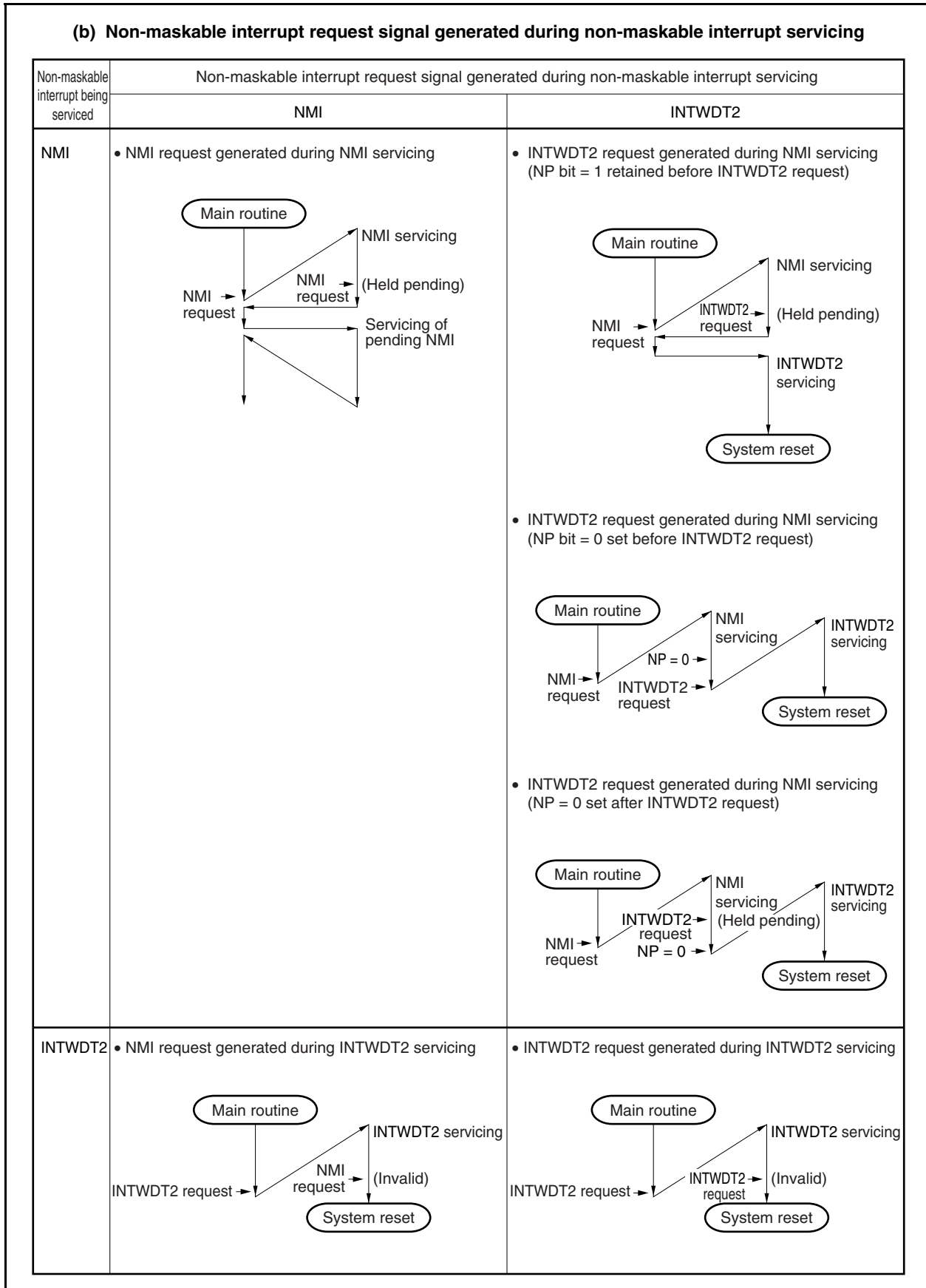


Figure 19-1. Non-Maskable Interrupt Request Signal Acknowledgment Operation (2/2)



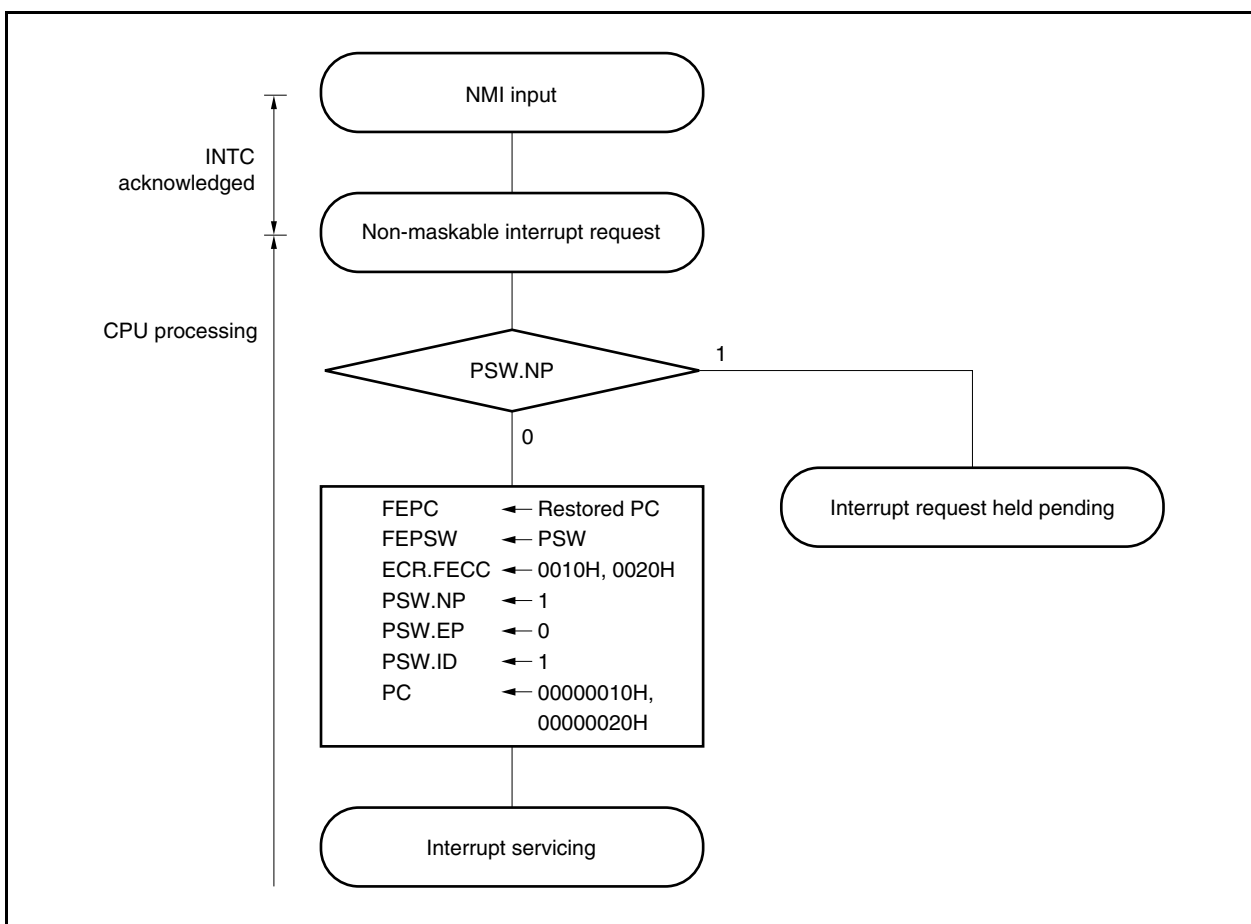
19.2.1 Operation

If a non-maskable interrupt request signal is generated, the CPU performs the following processing, and transfers control to the handler routine.

- <1> Saves the restored PC to FEPC.
- <2> Saves the current PSW to FEPSW.
- <3> Writes exception code (0010H, 0020H) to the higher halfword (FECC) of ECR.
- <4> Sets the PSW.NP and PSW.ID bits to 1 and clears the PSW.EP bit to 0.
- <5> Sets the handler address (00000010H, 00000020H) corresponding to the non-maskable interrupt to the PC, and transfers control.

The servicing configuration of a non-maskable interrupt is shown in Figure 19-2.

Figure 19-2. Servicing Configuration of Non-Maskable Interrupt



## 19.2.2 Restoration

## (1) From NMI pin input

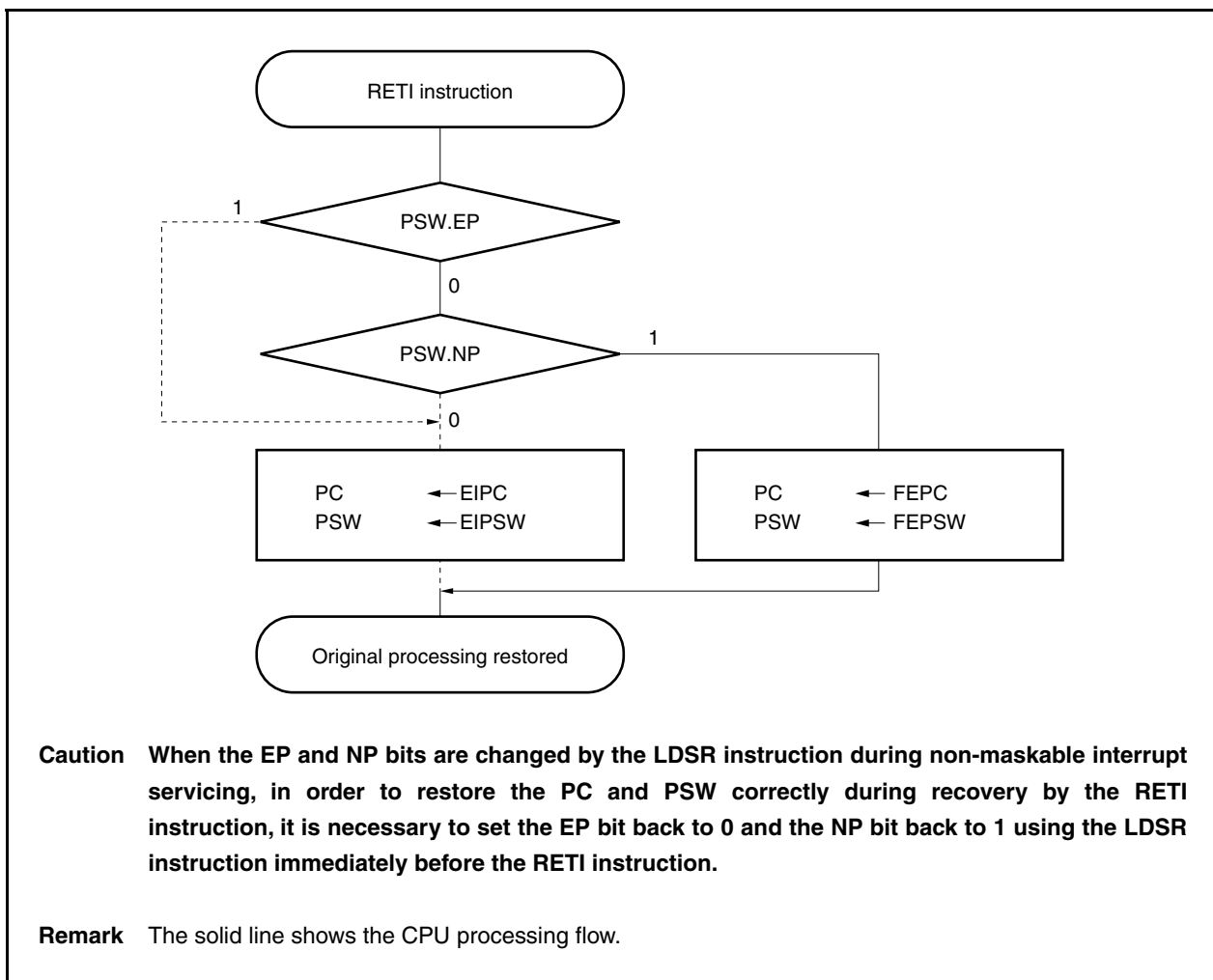
Execution is restored from the NMI servicing by the RETI instruction.

When the RETI instruction is executed, the CPU performs the following processing, and transfers control to the address of the restored PC.

- <1> Loads the restored PC and PSW from FEPC and FEPSW, respectively, because the PSW.EP bit is 0 and the PSW.NP bit is 1.
- <2> Transfers control back to the address of the restored PC and PSW.

Figure 19-3 illustrates the processing of the RETI instruction.

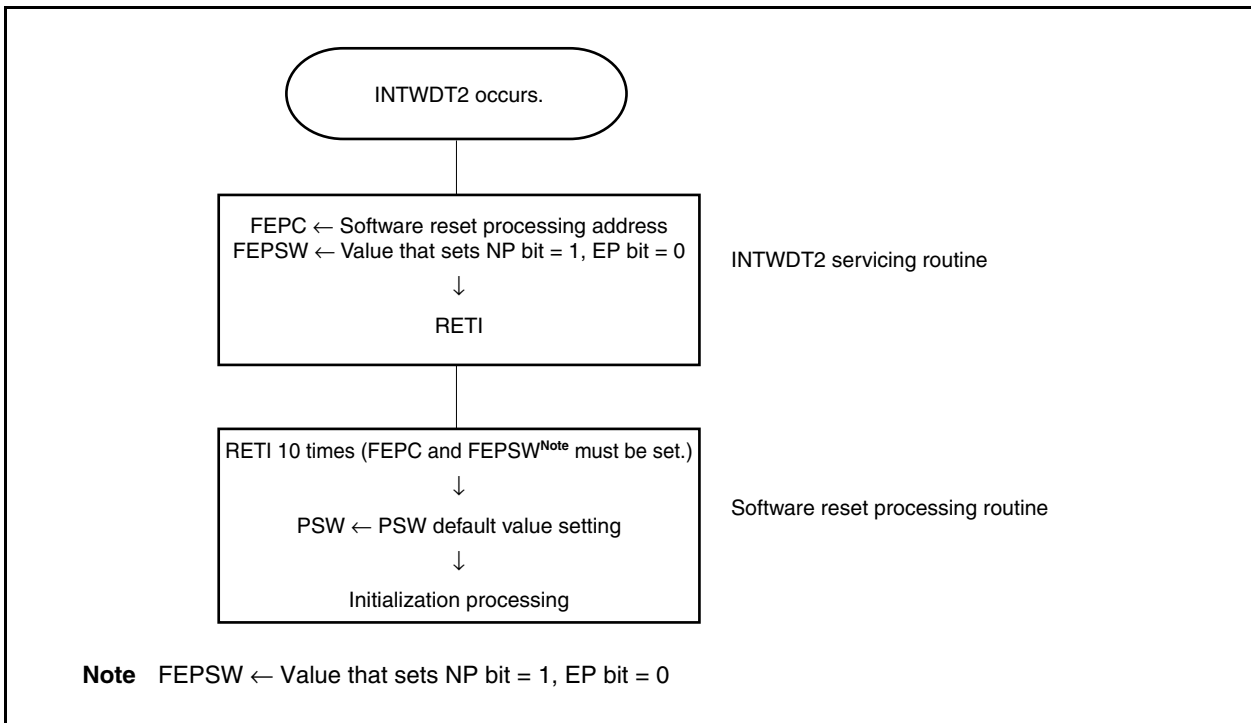
Figure 19-3. RETI Instruction Processing



(2) From INTWDT2 signal

Restoring from non-maskable interrupt servicing executed by the non-maskable interrupt request (INTWDT2) by using the RETI instruction is disabled. Execute the following software reset processing.

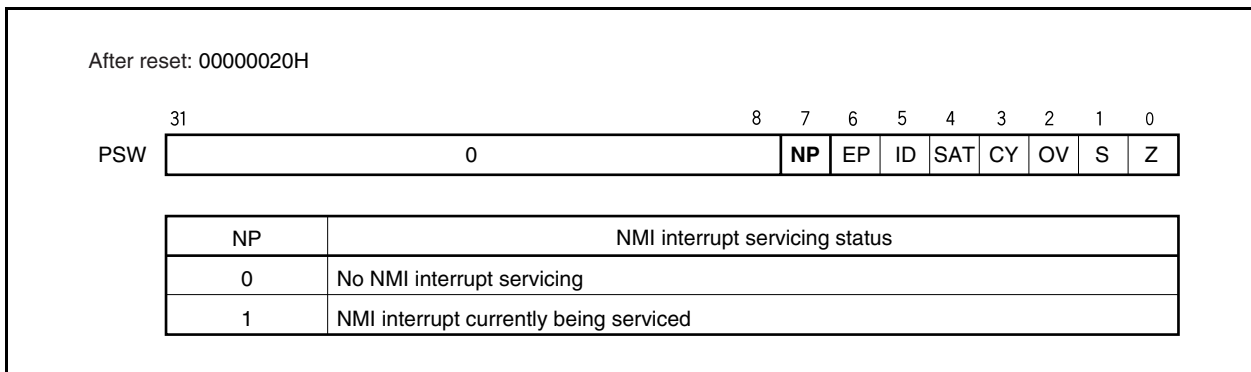
Figure 19-4. Software Reset Processing



19.2.3 NP flag

The NP flag is a status flag that indicates that non-maskable interrupt servicing is under execution.

This flag is set when a non-maskable interrupt request signal has been acknowledged, and masks non-maskable interrupt requests to prohibit multiple interrupts from being acknowledged.



### 19.3 Maskable Interrupts

<R> Maskable interrupt request signals can be masked by interrupt control registers. The V850ES/SG1 has 39 to 50 maskable interrupt sources.

If two or more maskable interrupt request signals are generated at the same time, they are acknowledged according to the default priority. In addition to the default priority, eight levels of priorities can be specified by using the interrupt control registers (programmable priority control).

When an interrupt request signal has been acknowledged, the acknowledgment of other maskable interrupt request signals is disabled and the interrupt disabled (DI) status is set.

When the EI instruction is executed in an interrupt service routine, the interrupt enabled (EI) status is set, which enables servicing of interrupts having a higher priority than the interrupt request signal in progress (specified by the interrupt control register). Note that only interrupts with a higher priority will have this capability; interrupts with the same priority level cannot be nested.

To enable multiple interrupts, however, save EIPC and EIPSW to memory or general-purpose registers before executing the EI instruction, and execute the DI instruction before the RETI instruction to restore the original values of EIPC and EIPSW.

#### 19.3.1 Operation

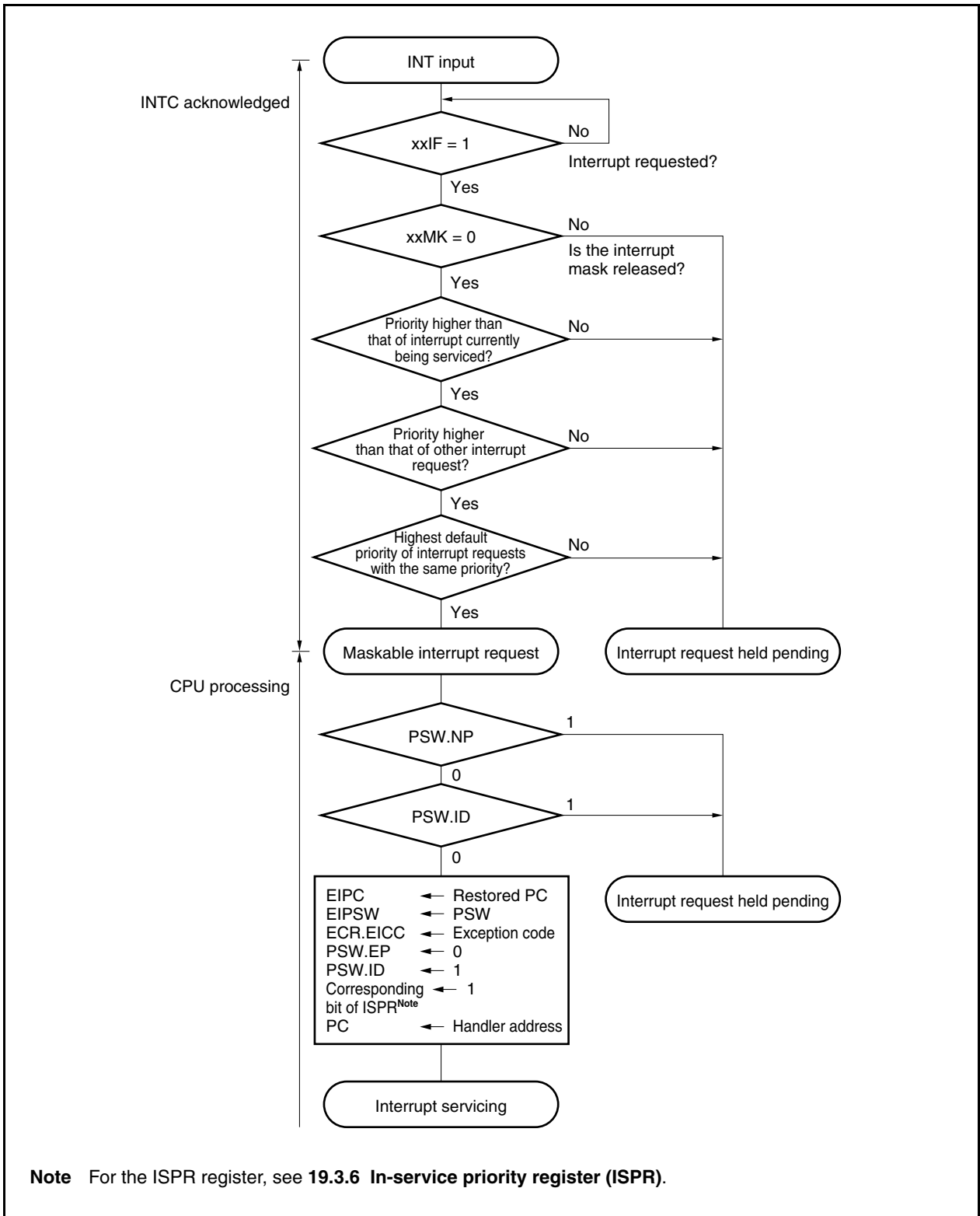
If a maskable interrupt occurs, the CPU performs the following processing, and transfers control to a handler routine.

- <1> Saves the restored PC to EIPC.
- <2> Saves the current PSW to EIPSW.
- <3> Writes an exception code to the lower halfword of ECR (EICC).
- <4> Sets the PSW.ID bit to 1 and clears the PSW.EP bit to 0.
- <5> Sets the handler address corresponding to each interrupt to the PC, and transfers control.

The maskable interrupt request signal masked by INTC and the maskable interrupt request signal generated while another interrupt is being serviced (while the PSW.NP bit = 1 or the PSW.ID bit = 1) are held pending inside INTC. In this case, servicing a new maskable interrupt is started in accordance with the priority of the pending maskable interrupt request signal if either the maskable interrupt is unmasked or the NP and ID bits are cleared to 0 by using the RETI or LDSR instruction.

How maskable interrupts are serviced is illustrated below.

Figure 19-5. Maskable Interrupt Servicing



### 19.3.2 Restoration

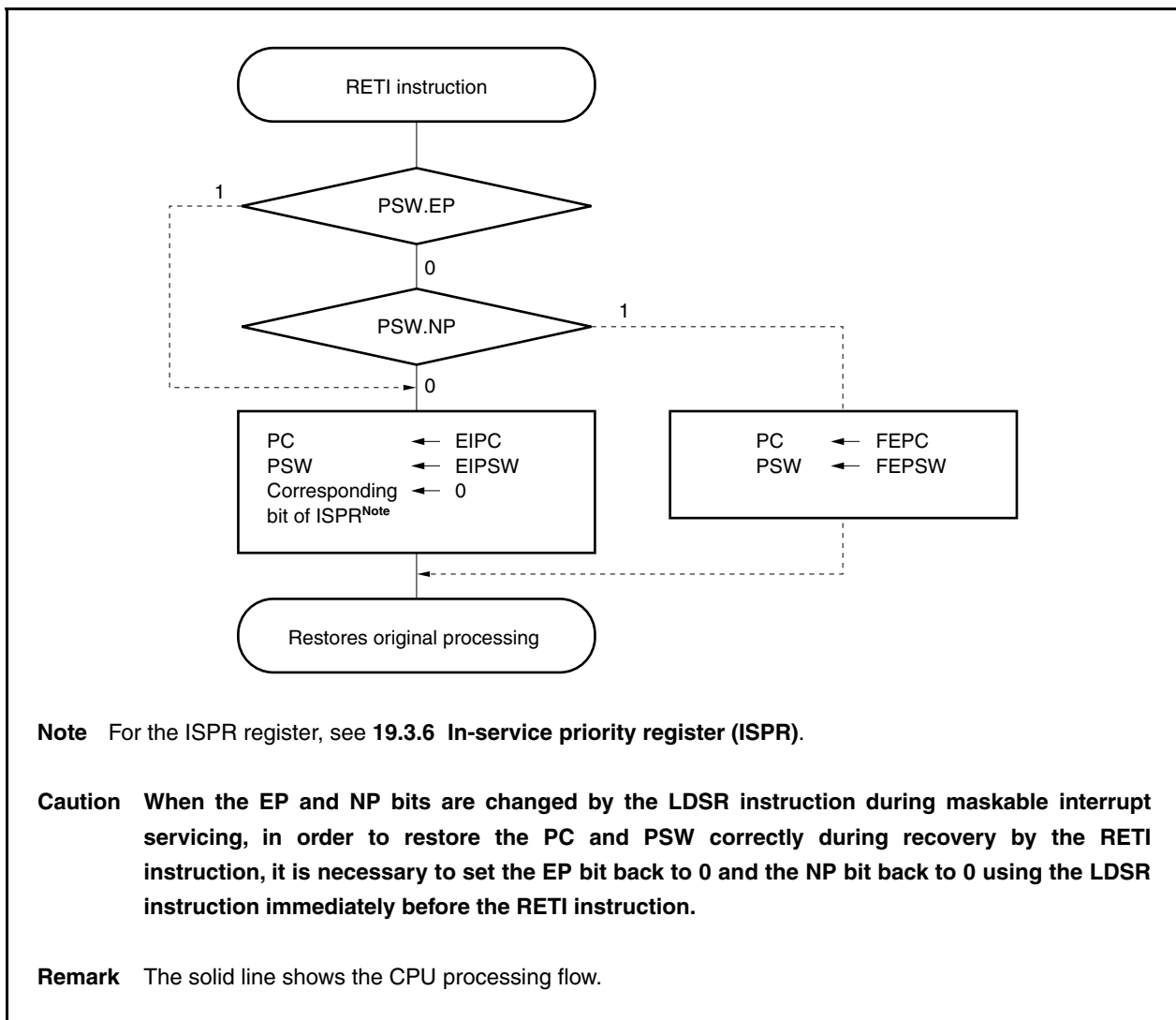
Restoration from maskable interrupt servicing is carried out by the RETI instruction.

When the RETI instruction is executed, the CPU performs the following processing, and transfers control to the address of the restored PC.

- <1> Loads the restored PC and PSW from EIPC and EIPSW because the PSW.EP bit is 0 and the PSW.NP bit is 0.
- <2> Transfers control back to the address of the restored PC and PSW.

Figure 19-6 illustrates the processing of the RETI instruction.

**Figure 19-6. RETI Instruction Processing**





### 19.3.3 Priorities of maskable interrupts

The INTC performs multiple interrupt servicing in which an interrupt is acknowledged while another interrupt is being serviced. Multiple interrupts can be controlled by priority levels.

There are two types of priority level control: control based on the default priority levels, and control based on the programmable priority levels that are specified by the interrupt priority level specification bit (xxPRn) of the interrupt control register (xxICn). When two or more interrupts having the same priority level specified by the xxPRn bit are generated at the same time, interrupt request signals are serviced in order depending on the priority level allocated to each interrupt request type (default priority level) beforehand. For more information, see **Table 19-1 Interrupt/Exception Source List**. The programmable priority control customizes interrupt request signals into eight levels by setting the priority level specification flag.

Note that when an interrupt request signal is acknowledged, the PSW.ID flag is automatically set to 1. Therefore, when multiple interrupts are to be used, clear the ID flag to 0 beforehand (for example, by placing the EI instruction in the interrupt service program) to set the interrupt enable mode.

**Remark** xx: Identification name of each peripheral unit (see **Table 19-2 Interrupt Control Register (xxICn)**)  
n: Peripheral unit number (see **Table 19-2 Interrupt Control Register (xxICn)**).

**Figure 19-7. Example of Processing in Which Another Interrupt Request Signal Is Issued While an Interrupt Is Being Serviced (1/2)**

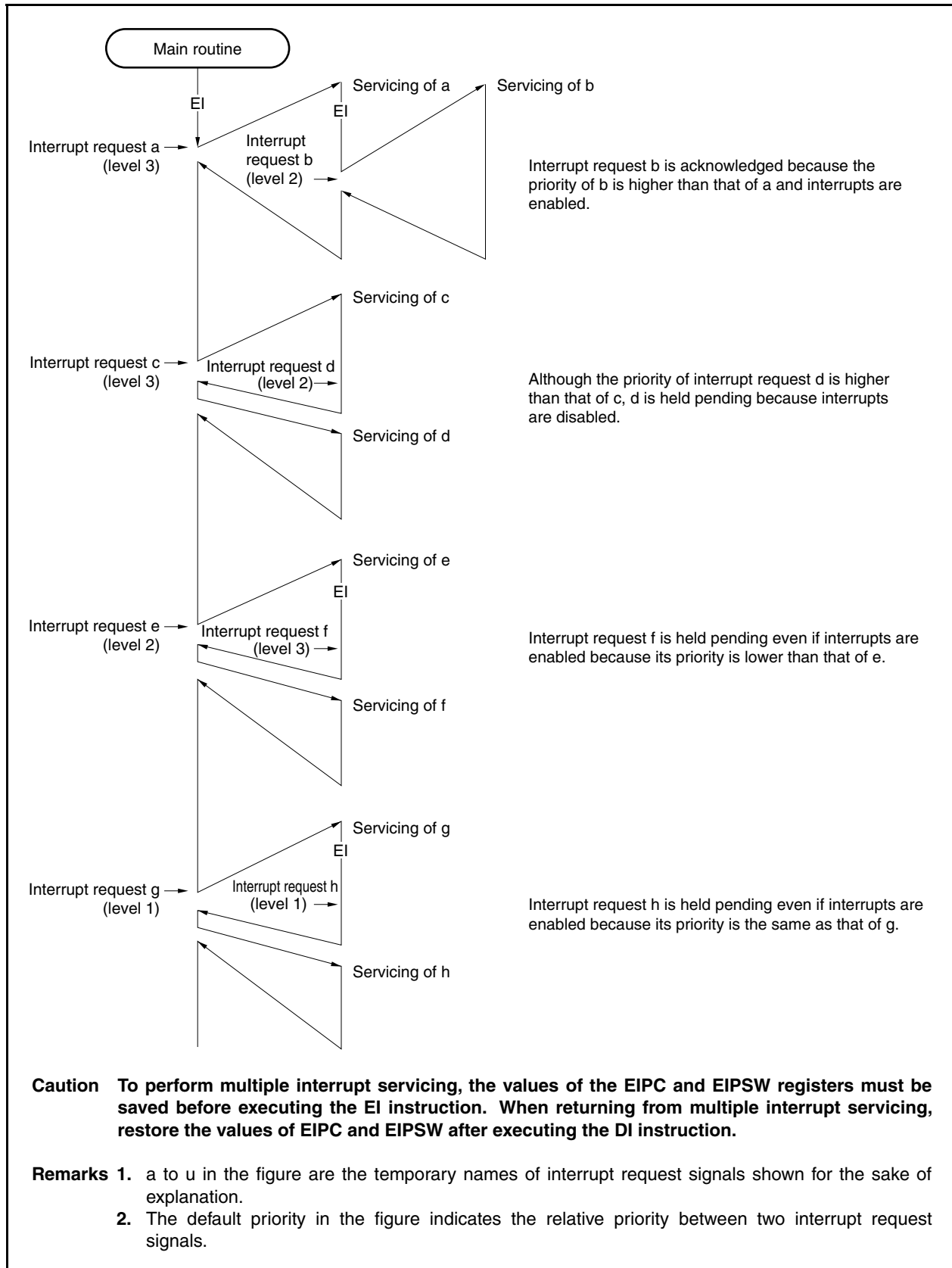


Figure 19-7. Example of Processing in Which Another Interrupt Request Signal Is Issued While an Interrupt Is Being Serviced (2/2)

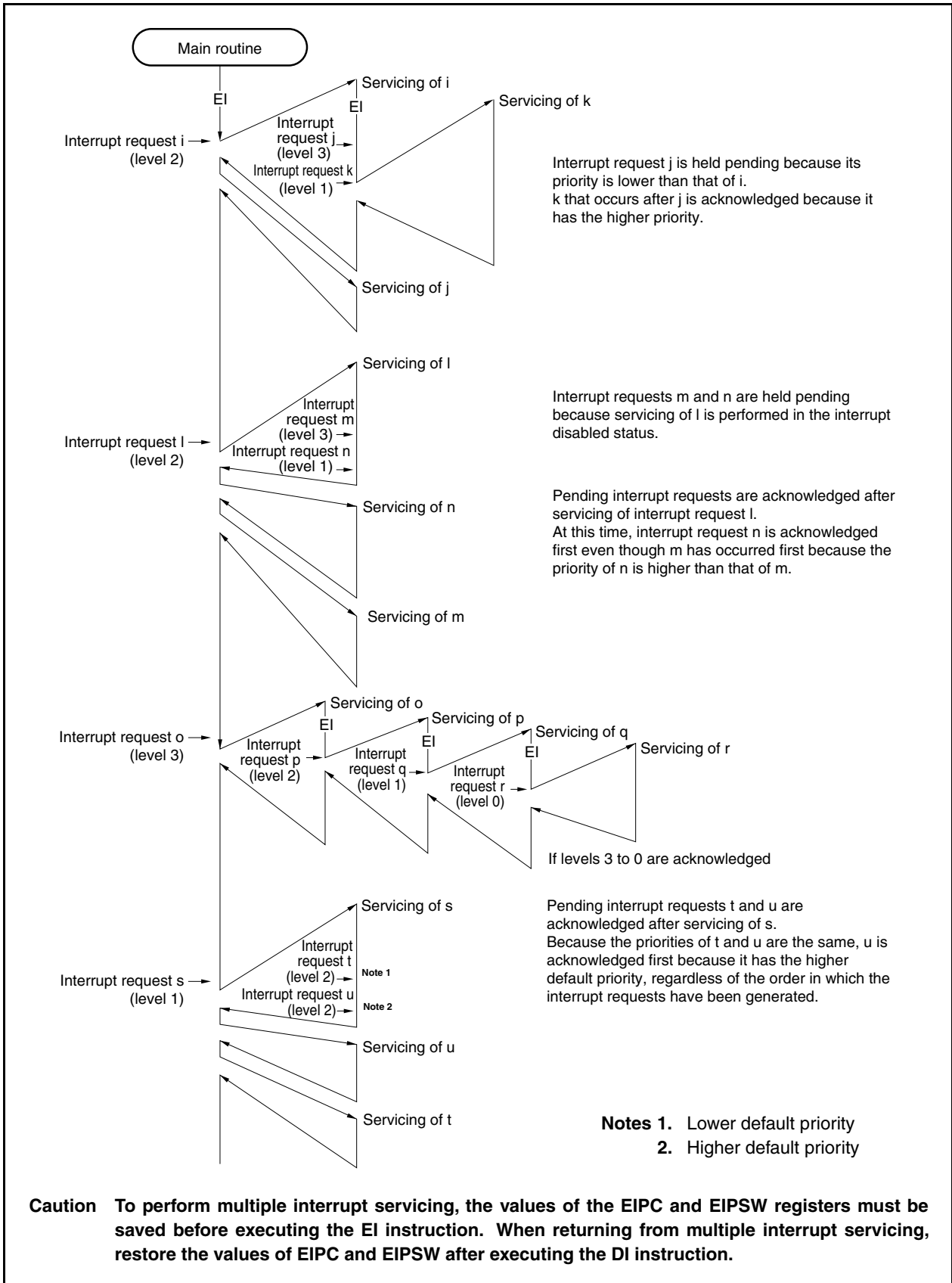
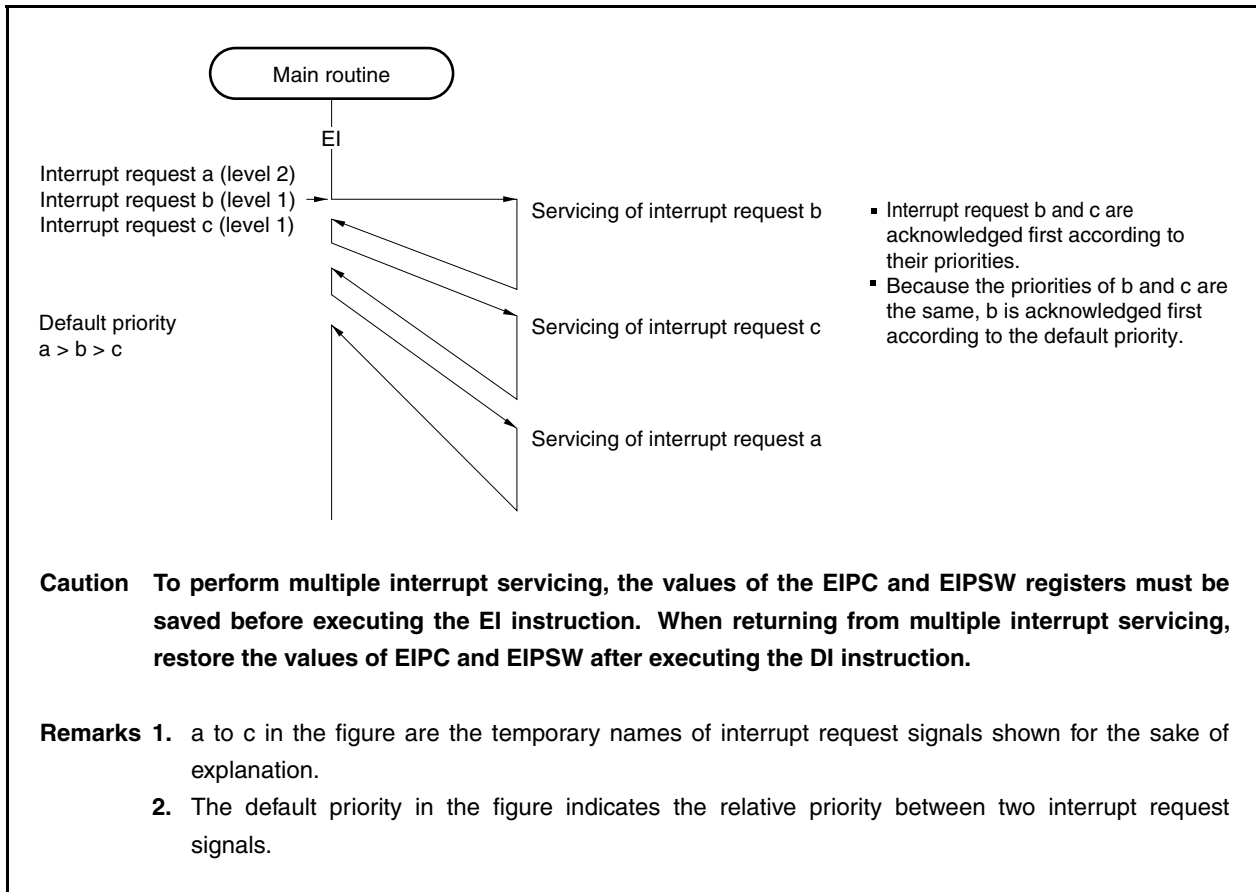


Figure 19-8. Example of Servicing Interrupt Request Signals Simultaneously Generated



**19.3.4 Interrupt control register (xxICn)**

The xxICn register is assigned to each interrupt request signal (maskable interrupt) and sets the control conditions for each maskable interrupt request.

This register can be read or written in 8-bit or 1-bit units.

Reset input sets this register to 47H.

- Cautions**
- 1. Disable interrupts (DI) or mask the interrupt to read the xxICn.xxIFn bit. If the xxIFn bit is read while interrupts are enabled (EI) or while the interrupt is unmasked, the correct value may not be read when acknowledging an interrupt and reading the bit conflict.**
  - 2. When manipulating the xxICn.xxMKn bit while interrupt requests may occur (including the state in which interrupts are disabled (DI)), be sure to use a bit manipulation instruction or use the IMRm.xxMKn bit (m = 0 to 3).**

<R>

After reset: 47H    R/W    Address: FFFFF112H to FFFFF184H

|       |                  |                  |          |          |          |          |          |          |
|-------|------------------|------------------|----------|----------|----------|----------|----------|----------|
|       | <b>&lt;7&gt;</b> | <b>&lt;6&gt;</b> | <b>5</b> | <b>4</b> | <b>3</b> | <b>2</b> | <b>1</b> | <b>0</b> |
| xxICn | xxIFn            | xxMKn            | 0        | 0        | 0        | xxPRn2   | xxPRn1   | xxPRn0   |

|              |                                        |
|--------------|----------------------------------------|
| <b>xxIFn</b> | Interrupt request flag <sup>Note</sup> |
| 0            | Interrupt request not issued           |
| 1            | Interrupt request issued               |

|              |                                        |
|--------------|----------------------------------------|
| <b>xxMKn</b> | Interrupt mask flag                    |
| 0            | Interrupt servicing enabled            |
| 1            | Interrupt servicing disabled (pending) |

|               |               |               |                                      |
|---------------|---------------|---------------|--------------------------------------|
| <b>xxPRn2</b> | <b>xxPRn1</b> | <b>xxPRn0</b> | Interrupt priority specification bit |
| 0             | 0             | 0             | Specifies level 0 (highest).         |
| 0             | 0             | 1             | Specifies level 1.                   |
| 0             | 1             | 0             | Specifies level 2.                   |
| 0             | 1             | 1             | Specifies level 3.                   |
| 1             | 0             | 0             | Specifies level 4.                   |
| 1             | 0             | 1             | Specifies level 5.                   |
| 1             | 1             | 0             | Specifies level 6.                   |
| 1             | 1             | 1             | Specifies level 7 (lowest).          |

**Note** The flag xxIFn is reset automatically by the hardware if an interrupt request signal is acknowledged.

**Remark** xx: Identification name of each peripheral unit (see **Table 19-2 Interrupt Control Register (xxICn)**)  
n: Peripheral unit number (see **Table 19-2 Interrupt Control Register (xxICn)**).

The addresses and bits of the interrupt control registers are as follows.

Table 19-2. Interrupt Control Register (xxICn) (1/2)

| Address       | Register                 | Bit               |                   |   |   |   |                     |                     |                     |
|---------------|--------------------------|-------------------|-------------------|---|---|---|---------------------|---------------------|---------------------|
|               |                          | <7>               | <6>               | 5 | 4 | 3 | 2                   | 1                   | 0                   |
| FFFFF112H     | PIC0                     | PIF0              | PMK0              | 0 | 0 | 0 | PPR02               | PPR01               | PPR00               |
| FFFFF114H     | PIC1                     | PIF1              | PMK1              | 0 | 0 | 0 | PPR12               | PPR11               | PPR10               |
| FFFFF116H     | PIC2                     | PIF2              | PMK2              | 0 | 0 | 0 | PPR22               | PPR21               | PPR20               |
| FFFFF118H     | PIC3                     | PIF3              | PMK3              | 0 | 0 | 0 | PPR32               | PPR31               | PPR30               |
| FFFFF11AH     | PIC4                     | PIF4              | PMK4              | 0 | 0 | 0 | PPR42               | PPR41               | PPR40               |
| FFFFF11CH     | PIC5                     | PIF5              | PMK5              | 0 | 0 | 0 | PPR52               | PPR51               | PPR50               |
| FFFFF11EH     | PIC6                     | PIF6              | PMK6              | 0 | 0 | 0 | PPR62               | PPR61               | PPR60               |
| FFFFF120H     | PIC7                     | PIF7              | PMK7              | 0 | 0 | 0 | PPR72               | PPR71               | PPR70               |
| FFFFF12CH     | TP0OVIC                  | TP0OVIF           | TP0OVMK           | 0 | 0 | 0 | TP0OVPR2            | TP0OVPR1            | TP0OVPR0            |
| FFFFF12EH     | TP0CCIC0                 | TP0CCIF0          | TP0CCMK0          | 0 | 0 | 0 | TP0CCPR02           | TP0CCPR01           | TP0CCPR00           |
| FFFFF130H     | TP0CCIC1                 | TP0CCIF1          | TP0CCMK1          | 0 | 0 | 0 | TP0CCPR12           | TP0CCPR11           | TP0CCPR10           |
| FFFFF132H     | TP1OVIC                  | TP1OVIF           | TP1OVMK           | 0 | 0 | 0 | TP1OVPR2            | TP1OVPR1            | TP1OVPR0            |
| FFFFF134H     | TP1CCIC0                 | TP1CCIF0          | TP1CCMK0          | 0 | 0 | 0 | TP1CCPR02           | TP1CCPR01           | TP1CCPR00           |
| FFFFF136H     | TP1CCIC1                 | TP1CCIF1          | TP1CCMK1          | 0 | 0 | 0 | TP1CCPR12           | TP1CCPR11           | TP1CCPR10           |
| FFFFF138H     | TP2OVIC                  | TP2OVIF           | TP2OVMK           | 0 | 0 | 0 | TP2OVPR2            | TP2OVPR1            | TP2OVPR0            |
| FFFFF13AH     | TP2CCIC0                 | TP2CCIF0          | TP2CCMK0          | 0 | 0 | 0 | TP2CCPR02           | TP2CCPR01           | TP2CCPR00           |
| FFFFF13CH     | TP2CCIC1                 | TP2CCIF1          | TP2CCMK1          | 0 | 0 | 0 | TP2CCPR12           | TP2CCPR11           | TP2CCPR10           |
| FFFFF13EH     | TP3OVIC                  | TP3OVIF           | TP3OVMK           | 0 | 0 | 0 | TP3OVPR2            | TP3OVPR1            | TP3OVPR0            |
| FFFFF140H     | TP3CCIC0                 | TP3CCIF0          | TP3CCMK0          | 0 | 0 | 0 | TP3CCPR02           | TP3CCPR01           | TP3CCPR00           |
| FFFFF142H     | TP3CCIC1                 | TP3CCIF1          | TP3CCMK1          | 0 | 0 | 0 | TP3CCPR12           | TP3CCPR11           | TP3CCPR10           |
| FFFFF144H     | TP4OVIC                  | TP4OVIF           | TP4OVMK           | 0 | 0 | 0 | TP4OVPR2            | TP4OVPR1            | TP4OVPR0            |
| FFFFF146H     | TP4CCIC0                 | TP4CCIF0          | TP4CCMK0          | 0 | 0 | 0 | TP4CCPR02           | TP4CCPR01           | TP4CCPR00           |
| FFFFF148H     | TP4CCIC1                 | TP4CCIF1          | TP4CCMK1          | 0 | 0 | 0 | TP4CCPR12           | TP4CCPR11           | TP4CCPR10           |
| <R> FFFFF14AH | TP5OVIC <sup>Note</sup>  | TP5OVIF           | TP5OVMK           | 0 | 0 | 0 | TP5OVPR2            | TP5OVPR1            | TP5OVPR0            |
| <R> FFFFF14CH | TP5CCIC0 <sup>Note</sup> | TP5CCIF0          | TP5CCMK0          | 0 | 0 | 0 | TP5CCPR02           | TP5CCPR01           | TP5CCPR00           |
| <R> FFFFF14EH | TP5CCIC1 <sup>Note</sup> | TP5CCIF1          | TP5CCMK1          | 0 | 0 | 0 | TP5CCPR12           | TP5CCPR11           | TP5CCPR10           |
| FFFFF150H     | TM0EQIC0                 | TM0EQIF0          | TM0EQMK0          | 0 | 0 | 0 | TM0EQPR02           | TM0EQPR01           | TM0EQPR00           |
| FFFFF152H     | CB0RIC/<br>IICIC1        | CB0RIF/<br>IICIF1 | CB0RMK/<br>IICMK1 | 0 | 0 | 0 | CB0RPR2/<br>IICPR12 | CB0RPR1/<br>IICPR11 | CB0RPR0/<br>IICPR10 |
| FFFFF154H     | CB0TIC                   | CB0TIF            | CB0TMK            | 0 | 0 | 0 | CB0TPR2             | CB0TPR1             | CB0TPR0             |
| FFFFF156H     | CB1RIC                   | CB1RIF            | CB1RMK            | 0 | 0 | 0 | CB1RPR2             | CB1RPR1             | CB1RPR0             |
| FFFFF158H     | CB1TIC                   | CB1TIF            | CB1TMK            | 0 | 0 | 0 | CB1TPR2             | CB1TPR1             | CB1TPR0             |
| FFFFF15EH     | CB3RIC                   | CB3RIF            | CB3RMK            | 0 | 0 | 0 | CB3RPR2             | CB3RPR1             | CB3RPR0             |
| FFFFF160H     | CB3TIC                   | CB3TIF            | CB3TMK            | 0 | 0 | 0 | CB3TPR2             | CB3TPR1             | CB3TPR0             |
| FFFFF162H     | UA0RIC                   | UA0RIF            | UA0RMK            | 0 | 0 | 0 | UA0RPR2             | UA0RPR1             | UA0RPR0             |
| FFFFF164H     | UA0TIC                   | UA0TIF            | UA0TMK            | 0 | 0 | 0 | UA0TPR2             | UA0TPR1             | UA0TPR0             |
| FFFFF166H     | UA1RIC                   | UA1RIF            | UA1RMK            | 0 | 0 | 0 | UA1RPR2             | UA1RPR1             | UA1RPR0             |
| FFFFF168H     | UA1TIC                   | UA1TIF            | UA1TMK            | 0 | 0 | 0 | UA1TPR2             | UA1TPR1             | UA1TPR0             |
| FFFFF16AH     | IICIC0                   | IICIF0            | IICMK0            | 0 | 0 | 0 | IICPR02             | IICPR01             | IICPR00             |
| FFFFF16EH     | ADIC                     | ADIF              | ADMK              | 0 | 0 | 0 | ADPR2               | ADPR1               | ADPR0               |
| <R> FFFFF170H | DMAIC0 <sup>Note</sup>   | DMAIF0            | DMAMK0            | 0 | 0 | 0 | DMAPR02             | DMAPR01             | DMAPR00             |
| <R> FFFFF172H | DMAIC1 <sup>Note</sup>   | DMAIF1            | DMAMK1            | 0 | 0 | 0 | DMAPR12             | DMAPR11             | DMAPR10             |
| <R> FFFFF174H | DMAIC2 <sup>Note</sup>   | DMAIF2            | DMAMK2            | 0 | 0 | 0 | DMAPR22             | DMAPR21             | DMAPR20             |
| <R> FFFFF176H | DMAIC3 <sup>Note</sup>   | DMAIF3            | DMAMK3            | 0 | 0 | 0 | DMAPR32             | DMAPR31             | DMAPR30             |

<R> Note  $\mu$ PD703253Y only

Table 19-2. Interrupt Control Register (xxICn) (2/2)

| Address       | Register                                             | Bit              |                  |   |   |   |                    |                    |                    |
|---------------|------------------------------------------------------|------------------|------------------|---|---|---|--------------------|--------------------|--------------------|
|               |                                                      | <7>              | <6>              | 5 | 4 | 3 | 2                  | 1                  | 0                  |
| FFFFF178H     | KRIC                                                 | KRIF             | KRMK             | 0 | 0 | 0 | KRPR2              | KRPR1              | KRPR0              |
| FFFFF17AH     | WTIIC                                                | WTIIF            | WTIMK            | 0 | 0 | 0 | WTIPR2             | WTIPR1             | WTIPR0             |
| FFFFF17CH     | WTIC                                                 | WTIF             | WTMK             | 0 | 0 | 0 | WTPR2              | WTPR1              | WTPR0              |
| <R> FFFFF17EH | ERRIC <sup>Note 1</sup> /<br>ERRIC <sup>Note 2</sup> | ERRIF0/<br>ERRIF | ERRMK0/<br>ERRMK | 0 | 0 | 0 | ERRPR02/<br>ERRPR2 | ERRPR01/<br>ERRPR1 | ERRPR00/<br>ERRPR0 |
| <R> FFFFF180H | WUPIC <sup>Note 1</sup> /<br>STAIC <sup>Note 2</sup> | WUPIF0/<br>STAIF | WUPMK0/<br>STAMK | 0 | 0 | 0 | WUPPR02/<br>STAPR2 | WUPPR01/<br>STAPR1 | WUPPR00/<br>STAPR0 |
| <R> FFFFF182H | RECIC <sup>Note 1</sup> /<br>IEIC1 <sup>Note 2</sup> | RECIF0/<br>IEIF1 | RECMK0/<br>IEMK1 | 0 | 0 | 0 | RECPR02/<br>IEPR12 | RECPR01/<br>IEPR11 | RECPR00/<br>IEPR10 |
| <R> FFFFF184H | TRXIC <sup>Note 1</sup> /<br>IEIC2 <sup>Note 2</sup> | TRXIF0/<br>IEIF2 | TRXMK0/<br>IEMK2 | 0 | 0 | 0 | TRXPR02/<br>IEPR22 | TRXPR01/<br>IEPR21 | TRXPR00/<br>IEPR20 |

<R> **Notes 1.**  $\mu$ PD703253Y only

**2.**  $\mu$ PD703252Y only

### 19.3.5 Interrupt mask registers 0 to 3 (IMR0 to IMR3)

The IMR0 to IMR3 registers set the interrupt mask state for the maskable interrupts. The xxMKn bit of the IMR0 to IMR3 registers is equivalent to the xxICn.xxMKn bit.

The IMRm register can be read or written in 16-bit units (m = 0 to 3).

If the higher 8 bits of the IMRm register are used as an IMRmH register and the lower 8 bits as an IMRmL register, these registers can be read or written in 8-bit or 1-bit units (m = 0 to 3).

Reset input sets these registers to FFFFH.

**Caution** The device file defines the xxICn.xxMKn bit as a reserved word. If a bit is manipulated using the name of xxMKn, the contents of the xxICn register, instead of the IMRm register, are rewritten (as a result, the contents of the IMRm register are also rewritten).

After reset: FFFFH R/W Address: IMR3 FFFFF106H,  
IMR3L FFFFF106H, IMR3H FFFFF107H

<R>

|                                 |    |    |    |    |    |                                                       |                                                       |                                                       |
|---------------------------------|----|----|----|----|----|-------------------------------------------------------|-------------------------------------------------------|-------------------------------------------------------|
|                                 | 15 | 14 | 13 | 12 | 11 | 10                                                    | 9                                                     | 8                                                     |
| IMR3 (IMR3H <sup>Note 1</sup> ) | 1  | 1  | 1  | 1  | 1  | TRXMK0 <sup>Note 2</sup> /<br>IEMK2 <sup>Note 3</sup> | RECMK0 <sup>Note 2</sup> /<br>IEMK1 <sup>Note 3</sup> | WUPMK0 <sup>Note 2</sup> /<br>STAMK <sup>Note 3</sup> |

<R>

|       |                                                       |      |       |      |                          |                          |                          |                          |
|-------|-------------------------------------------------------|------|-------|------|--------------------------|--------------------------|--------------------------|--------------------------|
| IMR3L | ERRMK0 <sup>Note 2</sup> /<br>ERRMK <sup>Note 3</sup> | WTMK | WTIMK | KRMK | DMAMK3 <sup>Note 4</sup> | DMAMK2 <sup>Note 4</sup> | DMAMK1 <sup>Note 4</sup> | DMAMK0 <sup>Note 4</sup> |
|-------|-------------------------------------------------------|------|-------|------|--------------------------|--------------------------|--------------------------|--------------------------|

After reset: FFFFH R/W Address: IMR2 FFFFF104H,  
IMR2L FFFFF104H, IMR2H FFFFF105H

|                                 |      |    |        |        |        |        |        |        |
|---------------------------------|------|----|--------|--------|--------|--------|--------|--------|
|                                 | 15   | 14 | 13     | 12     | 11     | 10     | 9      | 8      |
| IMR2 (IMR2H <sup>Note 1</sup> ) | ADMK | 1  | IICMK0 | UA1TMK | UA1RMK | UA0TMK | UA0RMK | CB3TMK |

|       |        |   |   |        |        |        |                   |          |
|-------|--------|---|---|--------|--------|--------|-------------------|----------|
| IMR2L | CB3RMK | 1 | 1 | CB1TMK | CB1RMK | CB0TMK | CB0RMK/<br>IICMK1 | TM0EQMK0 |
|-------|--------|---|---|--------|--------|--------|-------------------|----------|

After reset: FFFFH R/W Address: IMR1 FFFFF102H,  
IMR1L FFFFF102H, IMR1H FFFFF103H

<R>

|                                 |                            |                            |                           |          |          |         |          |          |
|---------------------------------|----------------------------|----------------------------|---------------------------|----------|----------|---------|----------|----------|
|                                 | 15                         | 14                         | 13                        | 12       | 11       | 10      | 9        | 8        |
| IMR1 (IMR1H <sup>Note 1</sup> ) | TP5CCMK1 <sup>Note 4</sup> | TP5CCMK0 <sup>Note 4</sup> | TP5OVMK <sup>Note 4</sup> | TP4CCMK1 | TP4CCMK0 | TP4OVMK | TP3CCMK1 | TP3CCMK0 |

|       |         |          |          |         |          |          |         |          |
|-------|---------|----------|----------|---------|----------|----------|---------|----------|
| IMR1L | TP3OVMK | TP2CCMK1 | TP2CCMK0 | TP2OVMK | TP1CCMK1 | TP1CCMK0 | TP1OVMK | TP0CCMK1 |
|-------|---------|----------|----------|---------|----------|----------|---------|----------|

After reset: FFFFH R/W Address: IMR0 FFFFF100H,  
IMR0L FFFFF100H, IMR0H FFFFF101H

|                                 |          |         |    |    |    |    |   |      |
|---------------------------------|----------|---------|----|----|----|----|---|------|
|                                 | 15       | 14      | 13 | 12 | 11 | 10 | 9 | 8    |
| IMR0 (IMR0H <sup>Note 1</sup> ) | TP0CCMK0 | TP0OVMK | 1  | 1  | 1  | 1  | 1 | PMK7 |

|       |      |      |      |      |      |      |      |   |
|-------|------|------|------|------|------|------|------|---|
| IMR0L | PMK6 | PMK5 | PMK4 | PMK3 | PMK2 | PMK1 | PMK0 | 1 |
|-------|------|------|------|------|------|------|------|---|

|       |                                |
|-------|--------------------------------|
| xxMKn | Setting of interrupt mask flag |
| 0     | Interrupt servicing enabled    |
| 1     | Interrupt servicing disabled   |

**Notes 1.** To read bits 8 to 15 of the IMR0 to IMR3 registers in 8-bit or 1-bit units, specify them as bits 0 to 7 of IMR0H to IMR3H registers.

<R>

**2.** These bits are valid only in the  $\mu$ PD703253Y.

**3.** These bits are valid only in the  $\mu$ PD703252Y.

<R>

**4.** These bits are valid only in the  $\mu$ PD703253Y.

Be sure to set these bits to 1 in the  $\mu$ PD703249Y and  $\mu$ PD703252Y.

**Caution** Set bits 0 and 9 to 13 of the IMR0 register, bits 5, 6, and 14 of the IMR2 register, and bits 11 to 15 of the IMR3 register to “1”. If the setting of these bits is changed, the operation is not guaranteed.

**Remark** xx: Identification name of each peripheral unit (see Table 19-2 Interrupt Control Register (xxICn)).

n: Peripheral unit number (see Table 19-2 Interrupt Control Register (xxICn))



### 19.3.6 In-service priority register (ISPR)

The ISPR register holds the priority level of the maskable interrupt currently acknowledged. When an interrupt request signal is acknowledged, the bit of this register corresponding to the priority level of that interrupt request signal is set to 1 and remains set while the interrupt is serviced.

When the RETI instruction is executed, the bit corresponding to the interrupt request signal having the highest priority is automatically cleared to 0 by hardware. However, it is not cleared to 0 when execution is returned from non-maskable interrupt servicing or exception processing.

This register is read-only, in 8-bit or 1-bit units.

Reset input clears this register to 00H.

**Caution** If an interrupt is acknowledged while the ISPR register is being read in the interrupt enabled (EI) status, the value of the ISPR register after the bits of the register have been set by acknowledging the interrupt may be read. To accurately read the value of the ISPR register before an interrupt is acknowledged, read the register while interrupts are disabled (DI).

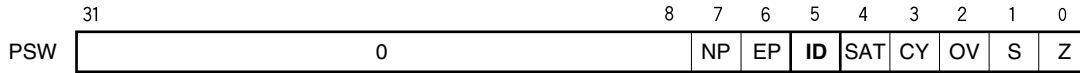
|                                                  |                                                                  |                    |       |       |       |       |       |       |
|--------------------------------------------------|------------------------------------------------------------------|--------------------|-------|-------|-------|-------|-------|-------|
| After reset: 00H                                 | R                                                                | Address: FFFFF1FAH |       |       |       |       |       |       |
| ISPR                                             | <7>                                                              | <6>                | <5>   | <4>   | <3>   | <2>   | <1>   | <0>   |
|                                                  | ISPR7                                                            | ISPR6              | ISPR5 | ISPR4 | ISPR3 | ISPR2 | ISPR1 | ISPR0 |
|                                                  | ISPRn      Priority of interrupt currently acknowledged          |                    |       |       |       |       |       |       |
|                                                  | 0      Interrupt request signal with priority n not acknowledged |                    |       |       |       |       |       |       |
|                                                  | 1      Interrupt request signal with priority n acknowledged     |                    |       |       |       |       |       |       |
| <p><b>Remark</b> n = 0 to 7 (priority level)</p> |                                                                  |                    |       |       |       |       |       |       |

**19.3.7 ID flag**

This flag controls the maskable interrupt’s operating state, and stores control information regarding enabling or disabling of interrupt request signals. An interrupt disable flag (ID) is assigned to the PSW.

Reset sets this flag to 00000020H.

After reset: 00000020H



| ID | Specification of maskable interrupt servicing <sup>Note</sup>       |
|----|---------------------------------------------------------------------|
| 0  | Maskable interrupt request signal acknowledgment enabled            |
| 1  | Maskable interrupt request signal acknowledgment disabled (pending) |

**Note** Interrupt disable flag (ID) function

This bit is set to 1 by the DI instruction and cleared to 0 by the EI instruction. Its value is also modified by the RETI instruction or LDSR instruction when referencing the PSW.

Non-maskable interrupt request signals and exceptions are acknowledged regardless of this flag. When a maskable interrupt request signal is acknowledged, the ID flag is automatically set to 1 by hardware.

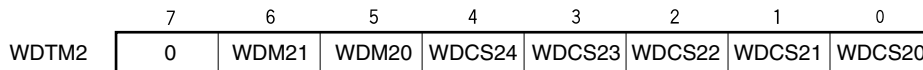
The interrupt request signal generated during the acknowledgment disabled period (ID flag = 1) is acknowledged when the xxICn.xxIFn bit is set to 1, and the ID flag is cleared to 0.

**19.3.8 Watchdog timer mode register 2 (WDTM2)**

This register can be read or written in 8-bit units (for details, see **CHAPTER 10 FUNCTIONS OF WATCHDOG TIMER 2**).

Reset sets this register to 67H.

After reset: 67H    R/W    Address: FFFFF6D0H



| WDM21 | WDM20 | Selection of watchdog timer operation mode                     |
|-------|-------|----------------------------------------------------------------|
| 0     | 0     | Stops operation                                                |
| 0     | 1     | Non-maskable interrupt request mode (INTWDT2 signal generated) |
| 1     | ×     | Reset mode (WDT2RES signal generated)                          |

**Remark** For details on the WDCS24 to WDCS20 bits, see **Table 10-2 Watchdog Timer 2 Clock Selection**.

## 19.4 Software Exception

A software exception is generated when the CPU executes the TRAP instruction, and can always be acknowledged.

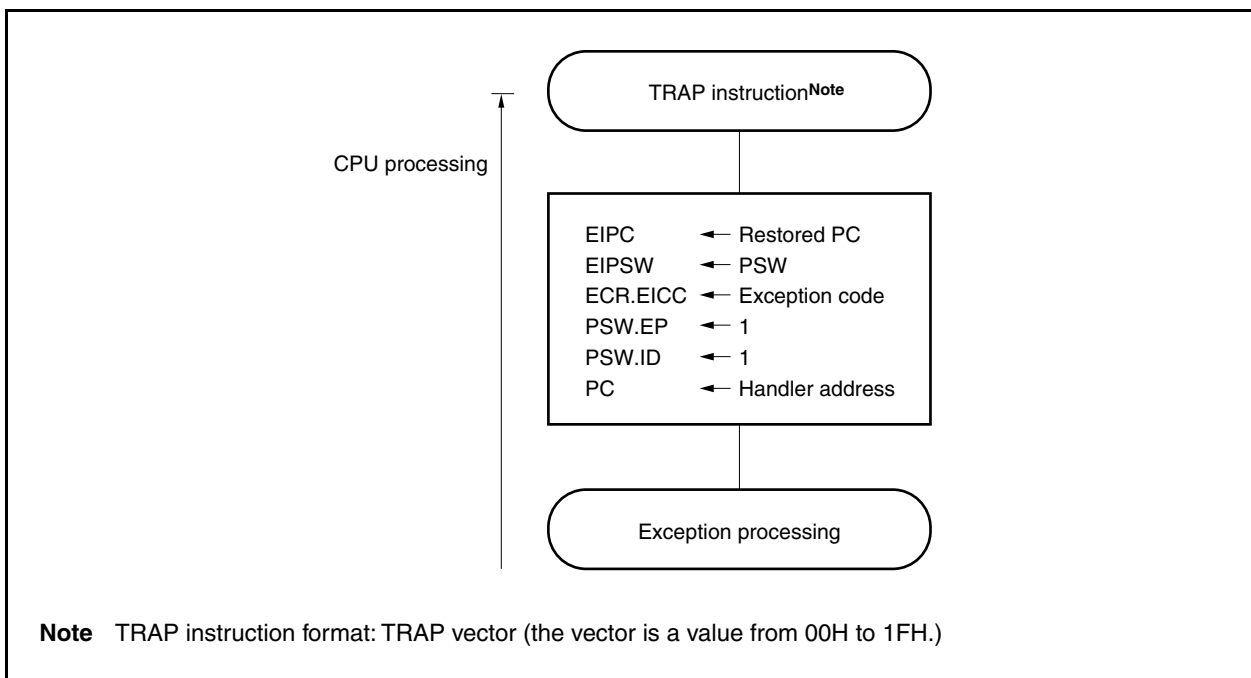
### 19.4.1 Operation

If a software exception occurs, the CPU performs the following processing, and transfers control to the handler routine.

- <1> Saves the restored PC to EIPC.
- <2> Saves the current PSW to EIPSW.
- <3> Writes an exception code to the lower 16 bits (EICC) of ECR (interrupt source).
- <4> Sets the PSW.EP and PSW.ID bits to 1.
- <5> Sets the handler address (00000040H or 00000050H) corresponding to the software exception to the PC, and transfers control.

Figure 19-9 illustrates the processing of a software exception.

**Figure 19-9. Software Exception Processing**



The handler address is determined by the TRAP instruction's operand (vector). If the vector is 00H to 0FH, it becomes 00000040H, and if the vector is 10H to 1FH, it becomes 00000050H.

### 19.4.2 Restoration

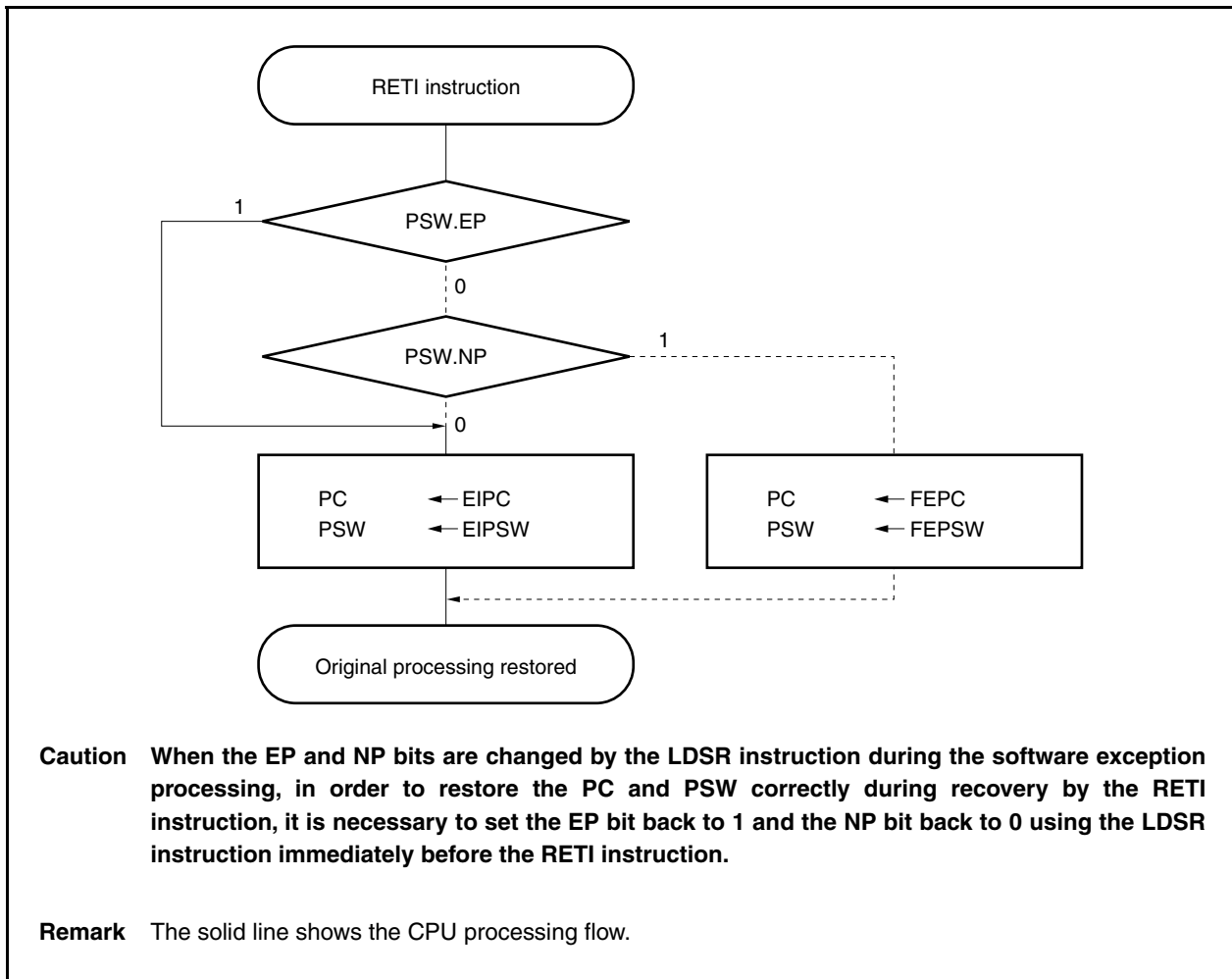
Restoration from software exception processing is carried out by the RETI instruction.

By executing the RETI instruction, the CPU carries out the following processing and shifts control to the restored PC's address.

- <1> Loads the restored PC and PSW from EIPC and EIPSW because the PSW.EP bit is 1.
- <2> Transfers control to the address of the restored PC and PSW.

Figure 19-10 illustrates the processing of the RETI instruction.

**Figure 19-10. RETI Instruction Processing**



**19.4.3 EP flag**

The EP flag is a status flag used to indicate that exception processing is in progress. It is set when an exception occurs.

After reset: 00000020H

|     |    |  |   |    |           |    |     |    |    |   |   |
|-----|----|--|---|----|-----------|----|-----|----|----|---|---|
|     | 31 |  | 8 | 7  | 6         | 5  | 4   | 3  | 2  | 1 | 0 |
| PSW | 0  |  |   | NP | <b>EP</b> | ID | SAT | CY | OV | S | Z |

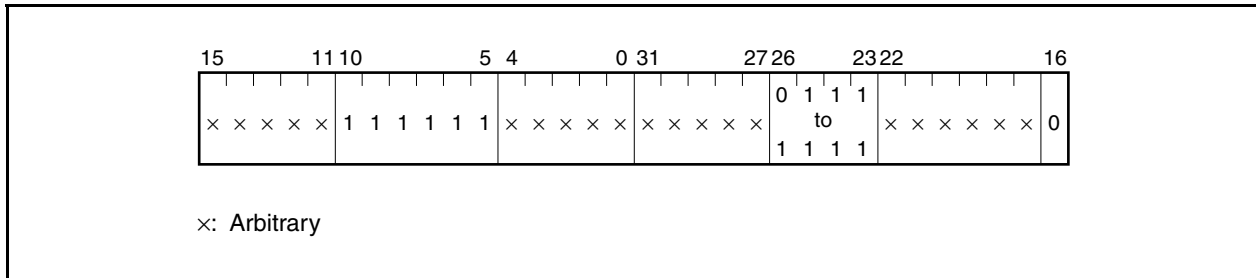
| EP | Exception processing status           |
|----|---------------------------------------|
| 0  | Exception processing not in progress. |
| 1  | Exception processing in progress.     |

## 19.5 Exception Trap

An exception trap is an interrupt that is requested when the illegal execution of an instruction takes place. In the V850ES/SG1, an illegal opcode exception (ILGOP: Illegal Opcode Trap) is considered as an exception trap.

### 19.5.1 Illegal opcode definition

The illegal instruction has an opcode (bits 10 to 5) of 111111B, a sub-opcode (bits 26 to 23) of 0111B to 1111B, and a sub-opcode (bit 16) of 0B. An exception trap is generated when an instruction applicable to this illegal instruction is executed.



**Caution** Since it is possible to assign this instruction to an illegal opcode in the future, it is recommended that it not be used.

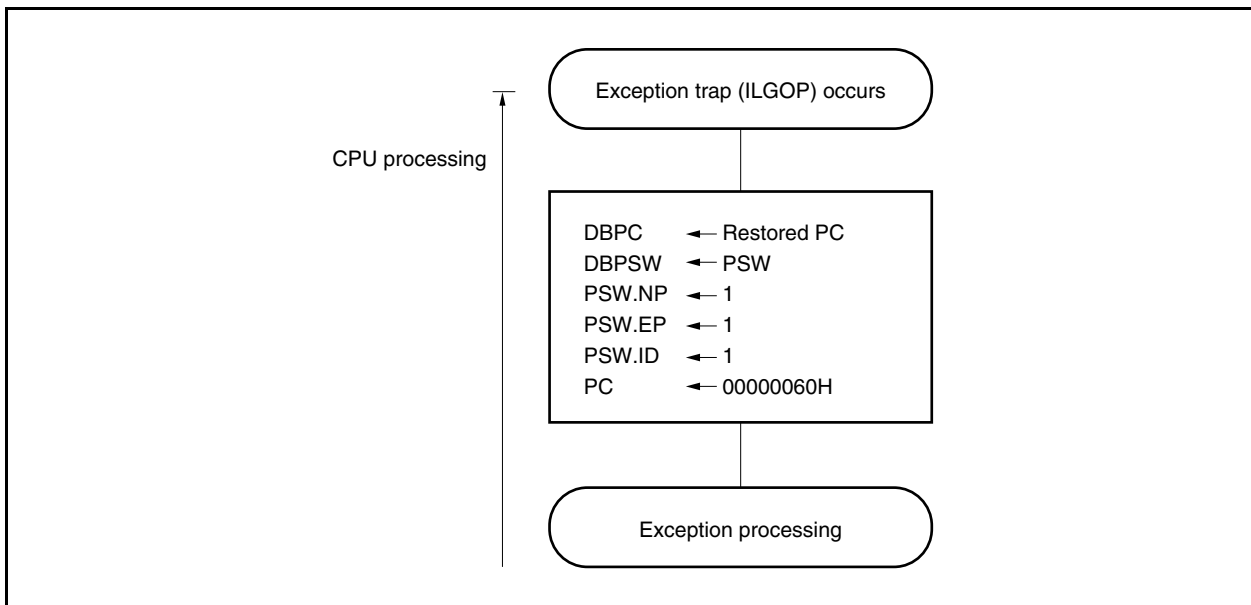
#### (1) Operation

If an exception trap occurs, the CPU performs the following processing, and transfers control to the handler routine.

- <1> Saves the restored PC to DBPC.
- <2> Saves the current PSW to DBPSW.
- <3> Sets the PSW.NP, PSW.EP, and PSW.ID bits to 1.
- <4> Sets the handler address (00000060H) corresponding to the exception trap to the PC, and transfers control.

Figure 19-11 illustrates the processing of the exception trap.

Figure 19-11. Exception Trap Processing

**(2) Restoration**

Restoration from an exception trap is carried out by the DBRET instruction. By executing the DBRET instruction, the CPU carries out the following processing and controls the address of the restored PC.

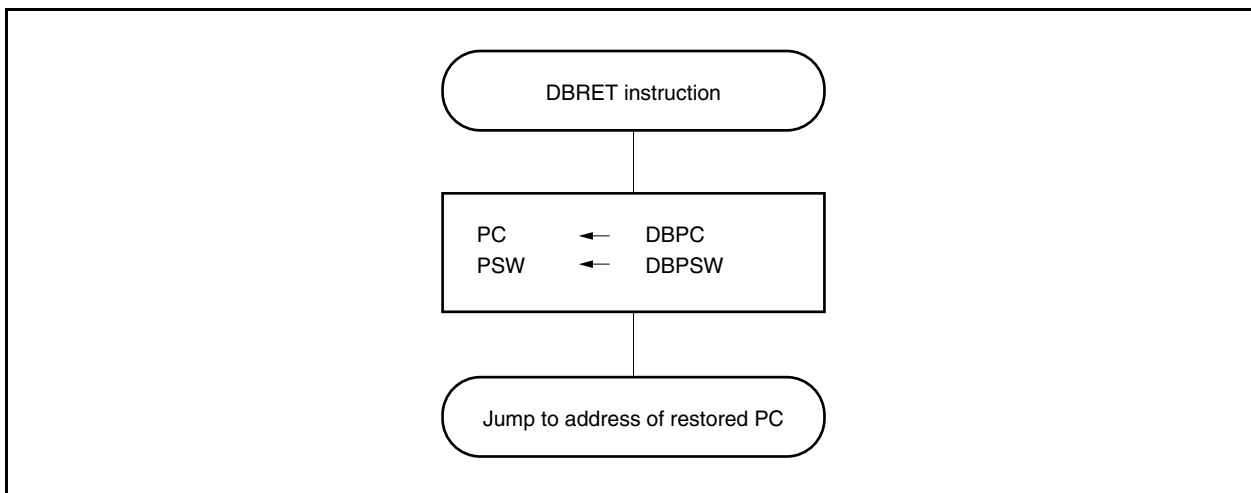
- <1> Loads the restored PC and PSW from DBPC and DBPSW.
- <2> Transfers control to the address indicated by the restored PC and PSW.

&lt;R&gt;

**Caution** DBPC and DBPSW can be accessed only during the interval between the execution of the illegal opcode and DBRET instruction.

Figure 19-12 illustrates the processing for restoring from an exception trap.

Figure 19-12. Processing for Restoring from Exception Trap



### 19.5.2 Debug trap

A debug trap is an exception that is generated when the DBTRAP instruction is executed and is always acknowledged.

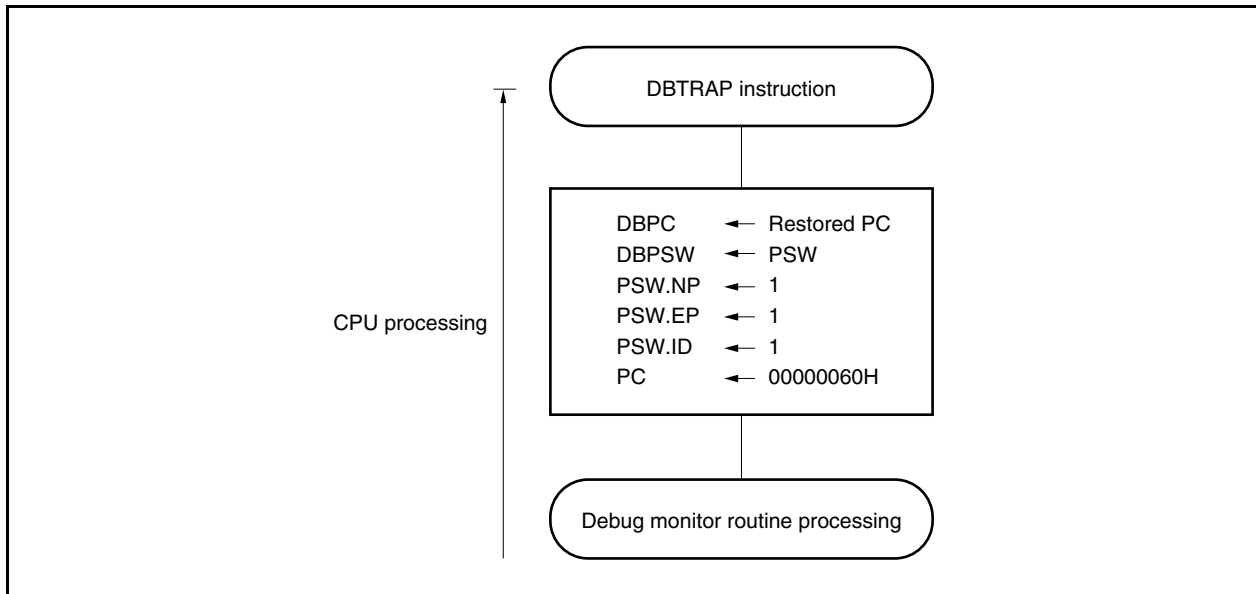
#### (1) Operation

Upon occurrence of a debug trap, the CPU performs the following processing.

- <1> Saves restored PC to DBPC.
- <2> Saves current PSW to DBPSW.
- <3> Sets the PSW.NP, PSW.EP, and PSW.ID bits to 1.
- <4> Sets handler address (00000060H) for debug trap to PC and transfers control.

Figure 19-13 shows the debug trap processing format.

**Figure 19-13. Debug Trap Processing Format**





**(2) Restoration**

Restoration from a debug trap is executed with the DBRET instruction.

With the DBRET instruction, the CPU performs the following steps and transfers control to the address of the restored PC.

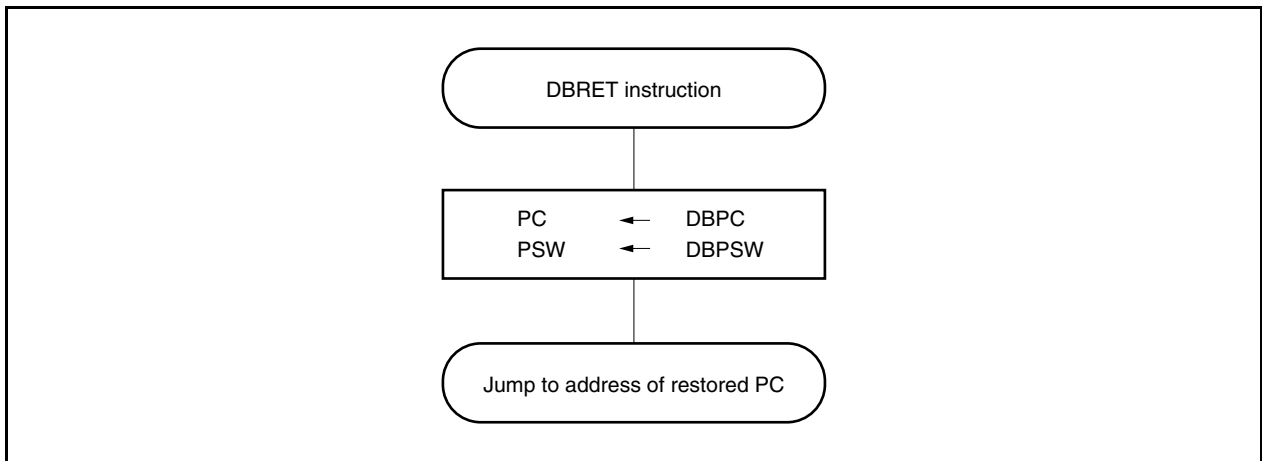
<1> The restored PC and PSW are read from DBPC and DBPSW.

<2> Control is transferred to the fetched address of the restored PC and PSW.

**Caution** DBPC and DBPSW can be accessed after the DBTRAP instruction is executed and before the DBRET instruction is executed.

Table 19-14 shows the processing format for restoration from a debug trap.

**Figure 19-14. Processing Format of Restoration from Debug Trap**



## 19.6 External Interrupt Request Input Pins (NMI and INTP0 to INTP7)

### 19.6.1 Noise elimination

#### (1) Eliminating noise on NMI pin

The NMI pin has an internal noise elimination circuit that uses analog delay. Therefore, the input level of the NMI pin is not detected as an edge unless it is maintained for a specific time or longer. Therefore, an edge is detected after specific time.

The NMI pin can be used to release the STOP mode. In the STOP mode, noise is not eliminated by using the system clock because the internal system clock is stopped.

#### (2) Eliminating noise on INTP0 to INTP7 pins

The INTP0 to INTP7 pins have an internal noise elimination circuit that uses analog delay. Therefore, the input level of the NMI pin is not detected as an edge unless it is maintained for a specific time or longer. Therefore, an edge is detected after specific time.

### 19.6.2 Edge detection

The valid edge of each of the NMI and INTP0 to INTP7 pins can be selected from the following four.

- Rising edge
- Falling edge
- Both rising and falling edges
- No edge detected

The edge of the NMI pin is not detected after reset. Therefore, the interrupt request signal is not acknowledged unless a valid edge is enabled by using the INTF0 and INTR0 register (the NMI pin functions as a normal port pin).

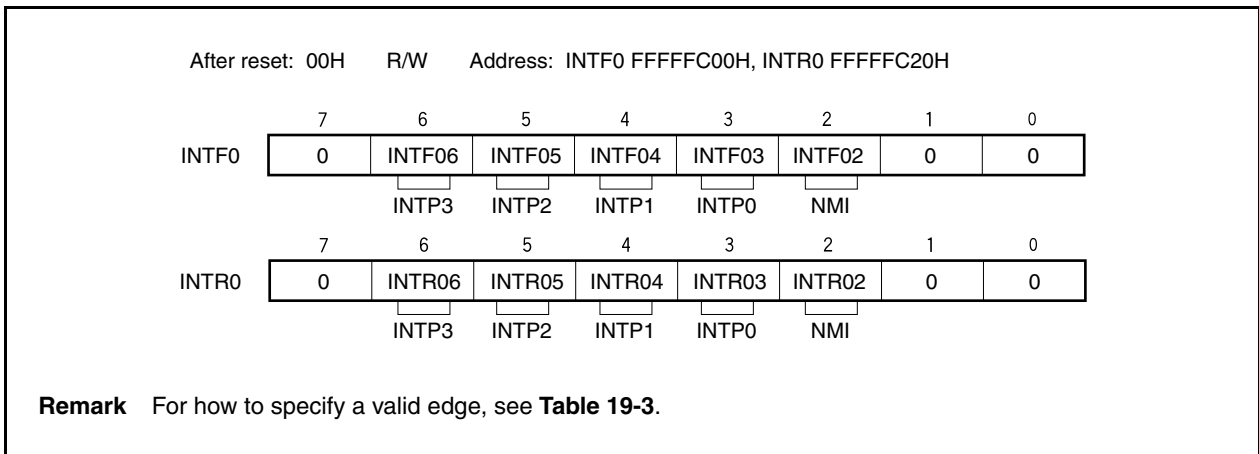
**(1) External interrupt falling, rising edge specification register 0 (INTF0, INTR0)**

The INTF0 and INTR0 registers are 8-bit registers that specify detection of the falling and rising edges of the NMI pin via bit 2 and the external interrupt pins (INTP0 to INTP3) via bits 3 to 6.

These registers can be read or written in 8-bit or 1-bit units.

Reset sets these registers to 00H.

**Caution** When the function is changed from the external interrupt function (alternate function) to the port function, an edge may be detected. Therefore, clear the INTF0n and INTR0n bits to 00, and then set the port mode.



**Table 19-3. Valid Edge Specification**

| INTF0n | INTR0n | Valid Edge Specification (n = 2 to 6) |
|--------|--------|---------------------------------------|
| 0      | 0      | No edge detected                      |
| 0      | 1      | Rising edge                           |
| 1      | 0      | Falling edge                          |
| 1      | 1      | Both rising and falling edges         |

**Caution** Be sure to clear the INTF0n and INTR0n bits to 00 when these registers are not used as the NMI or INTP0 to INTP3 pins.

**Remark** n = 2: Control of NMI pin  
 n = 3 to 6: Control of INTP0 to INTP3 pins

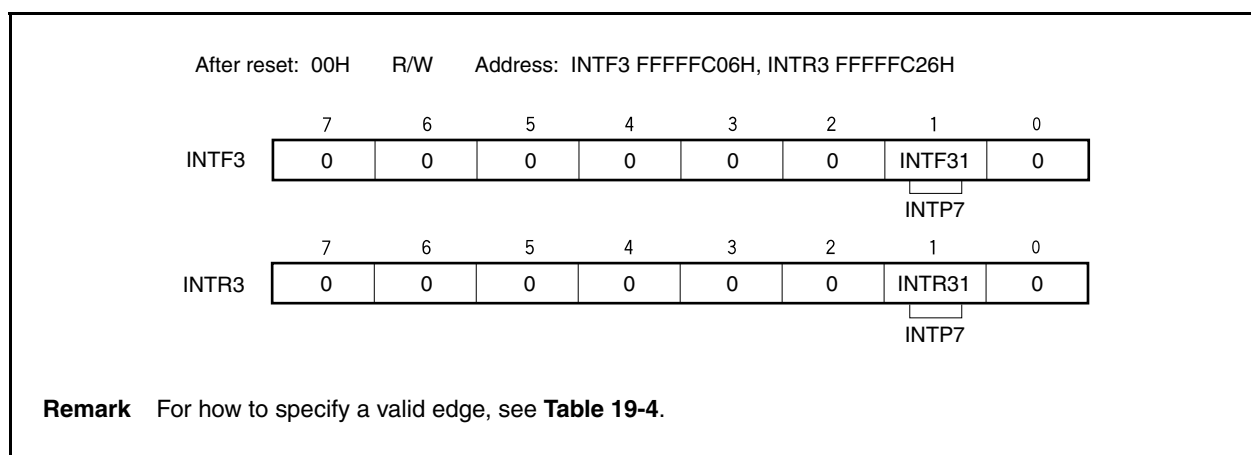
**(2) External interrupt falling, rising edge specification register 3 (INTF3, INTR3)**

The INTF3 and INTR3 registers are 8-bit registers that specify detection of the falling and rising edges of the external interrupt pin (INTP7).

These registers can be read or written in 8-bit or 1-bit units.

Reset sets these registers to 00H.

- Cautions**
1. When the function is changed from the external interrupt function (alternate function) to the port function, an edge may be detected. Therefore, clear the INTF31 and INTR31 bits to 00, and then set the port mode.
  2. The INTP7 pin and RXDA0 pin are alternate-function pins. When using the pin as the RXDA0 pin, disable edge detection for the INTP7 alternate-function pin (clear the INTF3.INTF31 bit and the INTR3.INTR31 bit to 0). When using the pin as the INTP7 pin, stop UARTA0 reception (clear the UA0CTL0.UA0RXE bit to 0).



**Table 19-4. Valid Edge Specification**

| INTF31 | INTR31 | Valid Edge Specification      |
|--------|--------|-------------------------------|
| 0      | 0      | No edge detected              |
| 0      | 1      | Rising edge                   |
| 1      | 0      | Falling edge                  |
| 1      | 1      | Both rising and falling edges |

**Caution** Be sure to clear the INTF31 and INTR31 bits to 00 when these registers are not used as INTP7 pin.

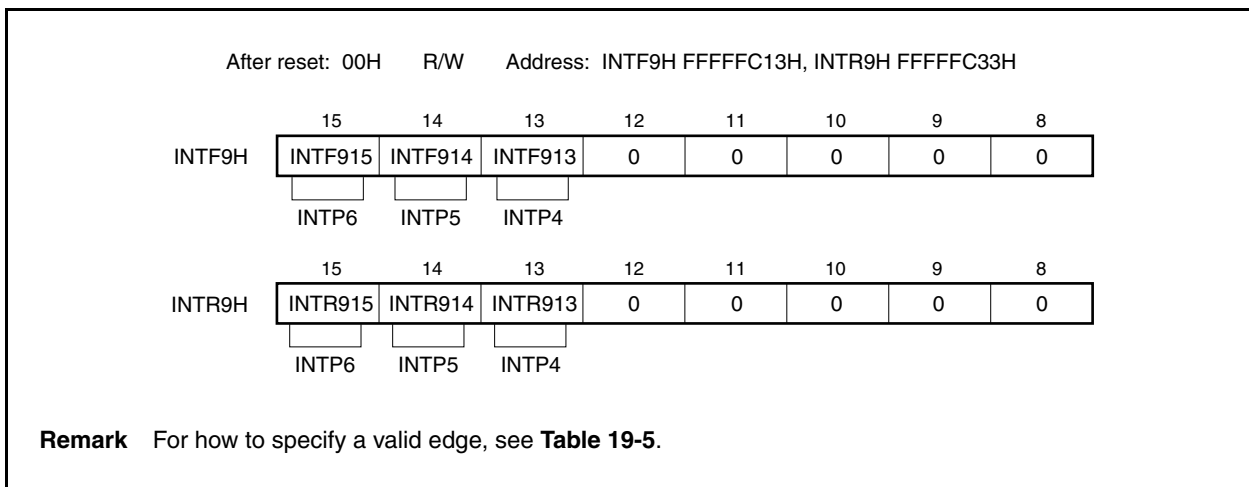
**(3) External interrupt falling, rising edge specification register 9H (INTF9H, INTR9H)**

The INTF9H and INTR9H registers are 8-bit registers that specify detection of the falling and rising edges of the external interrupt pins (INTP4 to INTP6).

These registers can be read or written in 8-bit or 1-bit units.

Reset sets these registers to 00H.

**Caution** When the function is changed from the external interrupt function (alternate function) to the port function, an edge may be detected. Therefore, clear the INTF9n and INTR9n bits to 0, and then set the port mode.



**Table 19-5. Valid Edge Specification**

| INTF9n | INTR9n | Valid Edge Specification (n = 13 to 15) |
|--------|--------|-----------------------------------------|
| 0      | 0      | No edge detected                        |
| 0      | 1      | Rising edge                             |
| 1      | 0      | Falling edge                            |
| 1      | 1      | Both rising and falling edges           |

**Caution** Be sure to clear the INTF9n and INTR9n bits to 00 when these registers are not used as INTP4 to INTP6 pins.

**Remark** n = 13 to 15: Control of INTP4 to INTP6 pins

**(4) Noise elimination control register (NFC)**

Digital noise elimination can be selected for the INTP3 pin. The noise elimination settings are performed using the NFC register.

When digital noise elimination is selected, the sampling clock for digital sampling can be selected from among  $f_{xx}/64$ ,  $f_{xx}/128$ ,  $f_{xx}/256$ ,  $f_{xx}/512$ ,  $f_{xx}/1,024$ , and  $f_{XT}$ . Sampling is performed three times.

<R> When digital noise elimination is selected, if the clock that performs sampling in the standby mode is stopped, then the INTP3 interrupt request signal cannot be used for releasing the standby mode. When  $f_{XT}$  is used as the sampling clock, the INTP3 interrupt request signal can be used for releasing either the subclock operating mode or the IDLE1/IDLE2/STOP/sub-IDLE mode.

This register can be read or written in 8-bit units.

Reset input clears this register to 00H.

**Caution** After the sampling clock has been changed, it takes 3 sampling clocks to initialize the digital noise eliminator. Therefore, if an INTP3 valid edge is input within these 3 sampling clocks after the sampling clock has been changed, an interrupt request signal may be generated. Therefore, be careful about the following points when using the interrupt and DMA functions ( $\mu$ PD703253Y only).

- When using the interrupt function, after the 3 sampling clocks have elapsed, enable interrupts after the interrupt request flag (PIC3.PIF3 bit) has been cleared.
- When using the DMA function (started by INTP3) in the  $\mu$ PD703253Y, enable DMA after 3 sampling clocks have elapsed.

After reset: 00H    R/W    Address: FFFFF318H

|     |      |   |   |   |   |      |      |      |
|-----|------|---|---|---|---|------|------|------|
|     | 7    | 6 | 5 | 4 | 3 | 2    | 1    | 0    |
| NFC | NFEN | 0 | 0 | 0 | 0 | NFC2 | NFC1 | NFC0 |

| NFEN | Settings of INTP3 pin noise elimination |
|------|-----------------------------------------|
| 0    | Analog noise elimination (60 ns (TYP.)) |
| 1    | Digital noise elimination               |

| NFC2             | NFC1 | NFC0 | Digital sampling clock |
|------------------|------|------|------------------------|
| 0                | 0    | 0    | $f_{xx}/64$            |
| 0                | 0    | 1    | $f_{xx}/128$           |
| 0                | 1    | 0    | $f_{xx}/256$           |
| 0                | 1    | 1    | $f_{xx}/512$           |
| 1                | 0    | 0    | $f_{xx}/1,024$         |
| 1                | 0    | 1    | $f_{XT}$ (subclock)    |
| Other than above |      |      | Setting prohibited     |

- Remarks**
1. Since sampling is performed three times, the reliably eliminated noise width is 2 sampling clocks.
  2. In the case of noise with a width smaller than 2 sampling clocks, an interrupt request signal is generated if noise synchronized with the sampling clock is input.

## 19.7 Interrupt Acknowledge Time of CPU

Except the following cases, the interrupt acknowledge time of the CPU is 4 clocks minimum. To input interrupt request signals successively, input the next interrupt request signal at least 5 clocks after the preceding interrupt.

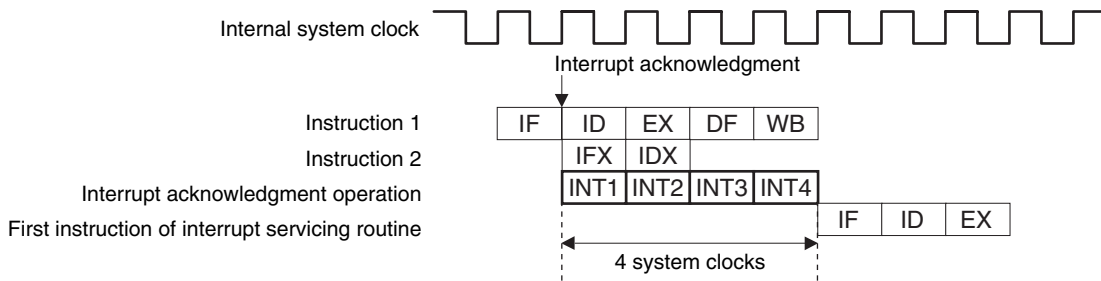
- In IDLE1/IDLE2/STOP mode
- When the external bus is accessed
- When interrupt request non-sampling instructions are successively executed (see **19.8 Periods in Which Interrupts Are Not Acknowledged by CPU.**)
- When the interrupt control register is accessed
- When an on-chip peripheral I/O register is accessed
- When a programmable peripheral I/O register is accessed ( $\mu$ PD703253Y only)

<R>

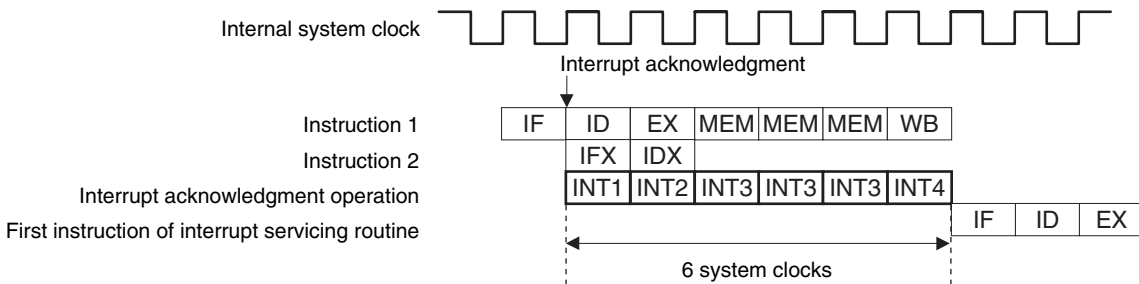
<R>

Figure 19-15. Pipeline Operation at Interrupt Request Signal Acknowledgment (Outline)

(1) Minimum interrupt response time



(2) Maximum interrupt response time



**Remarks 1.** INT1 to INT4: Interrupt acknowledgment processing

- IFX: Invalid instruction fetch
- IDX: Invalid instruction decode

2. If the same interrupt request signal is generated while an interrupt of four cycles is being acknowledged, the new interrupt request signal is discarded. The next interrupt request signal from the same source is registered four cycles later.

|         | Interrupt response time (internal system clock) |                          | Condition                                                                                                                                                                                                                                                                                                                                                                                                                                   |
|---------|-------------------------------------------------|--------------------------|---------------------------------------------------------------------------------------------------------------------------------------------------------------------------------------------------------------------------------------------------------------------------------------------------------------------------------------------------------------------------------------------------------------------------------------------|
|         | Internal interrupt                              | External interrupt       |                                                                                                                                                                                                                                                                                                                                                                                                                                             |
| Minimum | 4                                               | 4 +<br>Analog delay time | The following cases are exceptions. <ul style="list-style-type: none"> <li>• In IDLE1/IDLE2/STOP mode</li> <li>• External bus access</li> <li>• Two or more interrupt request non-sample instructions are executed in succession</li> <li>• Access to interrupt control register</li> <li>• Access to on-chip peripheral I/O register</li> <li>• Access to programmable peripheral I/O register (<math>\mu</math>PD703253Y only)</li> </ul> |
| Maximum | 6                                               | 6 +<br>Analog delay time |                                                                                                                                                                                                                                                                                                                                                                                                                                             |

<R>

<R>



## 19.8 Periods in Which Interrupts Are Not Acknowledged by CPU

An interrupt is acknowledged by the CPU while an instruction is being executed. However, no interrupt will be acknowledged between an interrupt request non-sample instruction and the next instruction (interrupt is held pending).

The interrupt request non-sample instructions are as follows.

- EI instruction
- DI instruction
- LDSR reg2, 0x5 instruction (for PSW)
- The store instruction for the PRCMD register
- The store, SET1, NOT1, or CLR1 instructions for the following registers.
  - Interrupt-related registers:
    - Interrupt control register (xxICn), interrupt mask registers 0 to 3 (IMR0 to IMR3)
  - Power save control register (PSC)
  - On-chip debug mode register (OCDM)

**Remark** xx: Identification name of each peripheral unit (see **Table 19-2 Interrupt Control Register (xxICn)**)

n: Peripheral unit number (see **Table 19-2 Interrupt Control Register (xxICn)**).

## 19.9 Cautions

### (1) NMI pin

The NMI pin and P02 pin share a pin, and function as a normal port pin after being reset. To enable the NMI pin, validate the NMI pin with the PMC0 register. The initial setting of the NMI pin is “No edge detected”. Select the NMI pin valid edge using the INTF0 and INTR0 registers.

<R>

### (2) Interrupt control register (xxICn)

When manipulating the xxICn.xxMKn bit while interrupt requests may occur (including the state in which interrupts are disabled (DI)), be sure to use a bit manipulation instruction or use the IMRm.xxMKn bit (m = 0 to 3).

<R>

### (3) In-service priority register (ISPR)

If an interrupt is acknowledged while the ISPR register is being read in the interrupt enabled (EI) status, the value of the ISPR register after the bits of the register have been set by acknowledging the interrupt may be read. To accurately read the value of the ISPR register before an interrupt is acknowledged, read the register while interrupts are disabled (DI).

## CHAPTER 20 KEY INTERRUPT FUNCTION

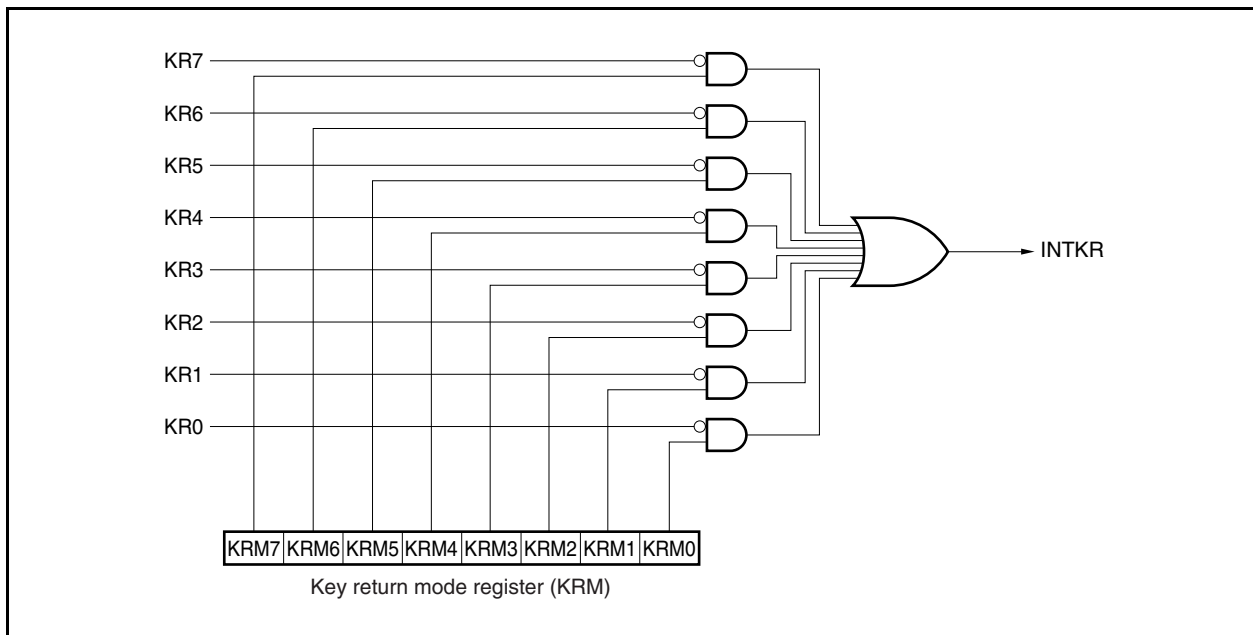
### 20.1 Function

A key interrupt request signal (INTKR) can be generated by inputting a falling edge to the eight key input pins (KR0 to KR7) by setting the KRM register.

**Table 20-1. Assignment of Key Return Detection Pins**

| Flag | Pin Description                    |
|------|------------------------------------|
| KRM0 | Controls KR0 signal in 1-bit units |
| KRM1 | Controls KR1 signal in 1-bit units |
| KRM2 | Controls KR2 signal in 1-bit units |
| KRM3 | Controls KR3 signal in 1-bit units |
| KRM4 | Controls KR4 signal in 1-bit units |
| KRM5 | Controls KR5 signal in 1-bit units |
| KRM6 | Controls KR6 signal in 1-bit units |
| KRM7 | Controls KR7 signal in 1-bit units |

**Figure 20-1. Key Return Block Diagram**



## 20.2 Register

### (1) Key return mode register (KRM)

The KRM register controls the KRM0 to KRM7 bits using the KR0 to KR7 signals.

This register can be read or written in 8-bit or 1-bit units.

Reset sets this register to 00H.

|                  |                                   |      |                    |      |      |      |      |      |
|------------------|-----------------------------------|------|--------------------|------|------|------|------|------|
| After reset: 00H |                                   | R/W  | Address: FFFFF300H |      |      |      |      |      |
|                  | 7                                 | 6    | 5                  | 4    | 3    | 2    | 1    | 0    |
| KRM              | KRM7                              | KRM6 | KRM5               | KRM4 | KRM3 | KRM2 | KRM1 | KRM0 |
| KRMn             | Control of key return mode        |      |                    |      |      |      |      |      |
| 0                | Does not detect key return signal |      |                    |      |      |      |      |      |
| 1                | Detects key return signal         |      |                    |      |      |      |      |      |

**Caution** Rewrite the KRM register after once clearing the KRM register to 00H.

**Remark** For the alternate-function pin settings, see **Table 4-15 Using Port Pin as Alternate Function Pin**.

## 20.3 Cautions

- (1) If a low level is input to any of the KR0 to KR7 pins, the INTKR signal is not generated even if the falling edge of another pin is input.
- (2) The RXDA1 and KR7 pins must not be used at the same time. To use the RXDA1 pin, do not use the KR7 pin. To use the KR7 pin, do not use the RXDA1 pin (it is recommended to set the PFC91 bit to 1 and clear PFCE91 bit to 0).
- (3) If the KRM register is changed, an interrupt request signal (INTKR) may be generated. To prevent this, change the KRM register after disabling interrupts (DI) or masking, then clear the interrupt request flag (KRIC.KRIF bit) to 0, and enable interrupts (EI) or clear the mask.
- (4) To use the key interrupt function, be sure to set the port pin to the key return pin and then enable the operation with the KRM register. To switch from the key return pin to the port pin, disable the operation with the KRM register and then set the port pin.

## CHAPTER 21 STANDBY FUNCTION

### 21.1 Overview

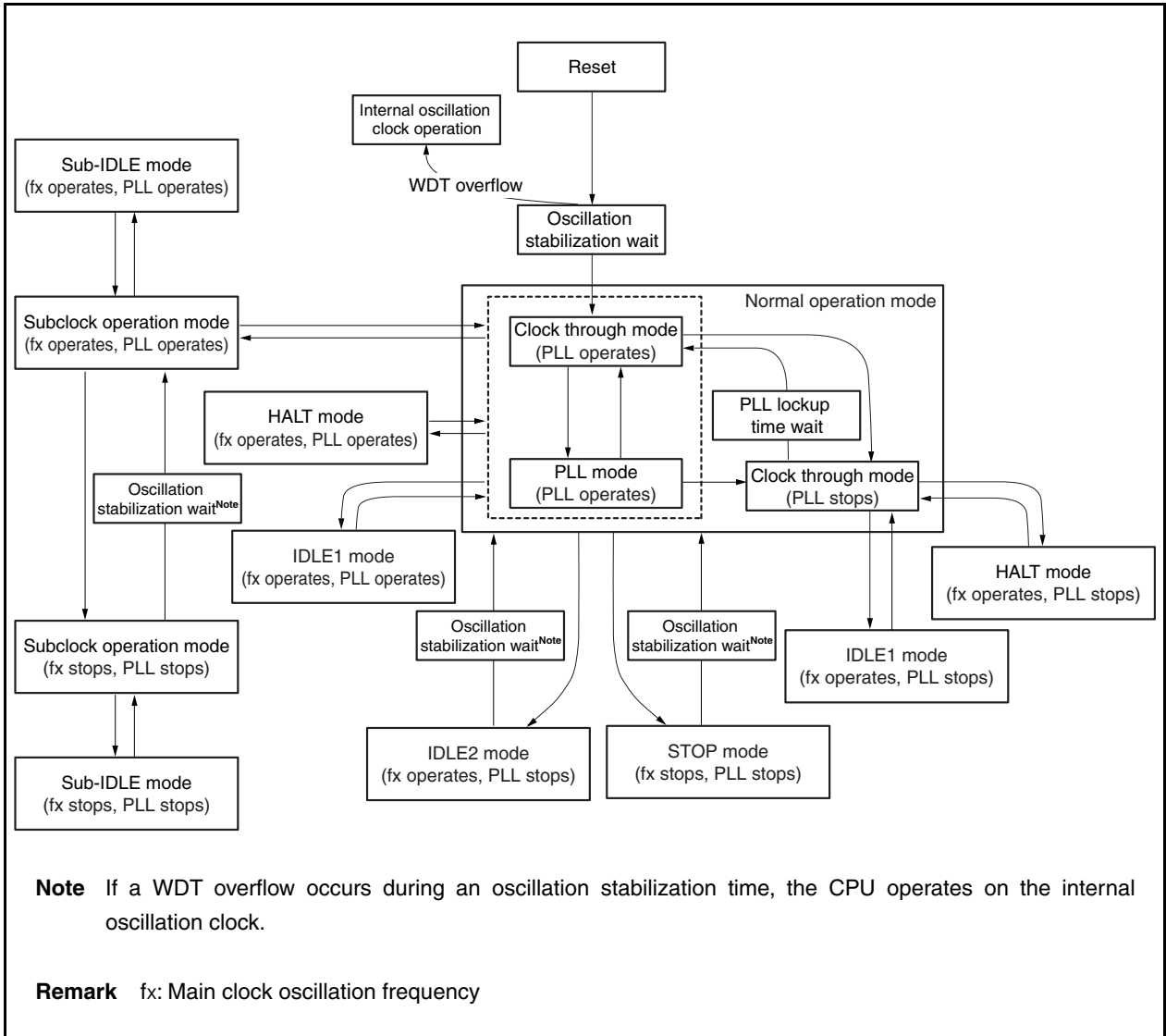
The power consumption of the system can be effectively reduced by using the standby modes in combination and selecting the appropriate mode for the application. The available standby modes are listed in Table 21-1.

**Table 21-1. Standby Modes**

| Mode                    | Functional Outline                                                                                                          |
|-------------------------|-----------------------------------------------------------------------------------------------------------------------------|
| HALT mode               | Mode in which only the operating clock of the CPU is stopped                                                                |
| IDLE1 mode              | Mode in which all the operations of the internal circuits except the oscillator and PLL <sup>Note</sup> are stopped         |
| IDLE2 mode              | Mode in which all the operations of the internal circuits except the oscillator are stopped                                 |
| STOP mode               | Mode in which all the operations of the internal circuits except the subclock oscillator are stopped                        |
| Subclock operation mode | Mode in which the subclock is used as the internal system clock                                                             |
| Sub-IDLE mode           | Mode in which all the operations of the internal circuits except the oscillator are stopped, in the subclock operation mode |

**Note** The PLL holds the previous operating status.

Figure 21-1. Status Transition



## 21.2 Registers

### (1) Power save control register (PSC)

The PSC register is an 8-bit register that controls the standby function. The STP bit of this register is used to specify the standby mode. This register is a special register that can be written only by the special sequence combinations (see 3.4.8 Special registers).

This register can be read or written in 8-bit or 1-bit units.

Reset sets this register to 00H.

After reset: 00H R/W Address: FFFFF1FEH

|     |   |       |       |      |   |   |     |   |
|-----|---|-------|-------|------|---|---|-----|---|
|     | 7 | <6>   | <5>   | <4>  | 3 | 2 | <1> | 0 |
| PSC | 0 | NMI1M | NMI0M | INTM | 0 | 0 | STP | 0 |

|       |                                                                |
|-------|----------------------------------------------------------------|
| NMI1M | Standby mode release control upon occurrence of INTWDT2 signal |
| 0     | Standby mode release by INTWDT2 signal enabled                 |
| 1     | Standby mode release by INTWDT2 signal disabled                |

|       |                                                |
|-------|------------------------------------------------|
| NMI0M | Standby mode release control by NMI pin input  |
| 0     | Standby mode release by NMI pin input enabled  |
| 1     | Standby mode release by NMI pin input disabled |

|      |                                                                    |
|------|--------------------------------------------------------------------|
| INTM | Standby mode release control via maskable interrupt request signal |
| 0    | Standby mode release by maskable interrupt request signal enabled  |
| 1    | Standby mode release by maskable interrupt request signal disabled |

|     |                                      |
|-----|--------------------------------------|
| STP | Standby mode <sup>Note</sup> setting |
| 0   | Normal mode                          |
| 1   | Standby mode                         |

**Note** Standby mode set by STP bit: IDLE1, IDLE2, STOP, or sub-IDLE mode

- Cautions**
1. Before setting the IDLE1, IDLE2, STOP, or sub-IDLE mode, set the PSMR.PSM1 and PSMR.PSM0 bits and then set the STP bit.
  2. Settings of the NMI1M, NMI0M, and INTM bits are invalid when HALT mode is released.
  3. If the NMI1M, NMI0M, or INTM bit is set to 1 at the same time the STP bit is set to 1, the setting of NMI1M, NMI0M, or INTM bit becomes invalid. If there is an unmasked interrupt request signal being held pending when the IDLE1/IDLE2/STOP mode is set, set the bit corresponding to the interrupt request signal (NMI1M, NMI0M, or INTM) to 1, and then set the STP bit to 1.

<R>

**(2) Power save mode register (PSMR)**

The PSMR register is an 8-bit register that controls the operation in the power save mode.

This register can be read or written in 8-bit or 1-bit units.

Reset sets this register to 00H.

After reset: 00H    R/W    Address: FFFF820H

|      |   |   |   |   |   |   |      |      |
|------|---|---|---|---|---|---|------|------|
|      | 7 | 6 | 5 | 4 | 3 | 2 | <1>  | <0>  |
| PSMR | 0 | 0 | 0 | 0 | 0 | 0 | PSM1 | PSM0 |

| PSM1 | PSM0 | Specification of operation in software standby mode |
|------|------|-----------------------------------------------------|
| 0    | 0    | IDLE1, sub-IDLE modes                               |
| 0    | 1    | STOP mode                                           |
| 1    | 0    | IDLE2, sub-IDLE modes                               |
| 1    | 1    | STOP mode                                           |

**Cautions 1. Be sure to clear bits 2 to 7 to “0”.**

**2. The PSM0 and PSM1 bits are valid only when the PSC.STP bit is 1.**

**Remark** IDLE1: In this mode, all operations except the oscillator operation and some other circuits (PLL) are stopped.  
After the IDLE1 mode is released, the normal operation mode is restored without needing to secure the oscillation stabilization time, like the HALT mode.

IDLE2: In this mode, all operations except the oscillator operation are stopped.  
After the IDLE2 mode is released, the normal operation mode is restored following the lapse of the setup time specified by the OSTS register (PLL).

STOP: In this mode, all operations except the subclock oscillator operation are stopped.  
After the STOP mode is released, the normal operation mode is restored following the lapse of the oscillation stabilization time specified by the OSTS register.

Sub-IDLE: In this mode, all other operations are halted except for the oscillator. After the IDLE mode has been released by the interrupt request signal, the subclock operation mode will be restored after 12 cycles of the subclock have been secured.

**(3) Oscillation stabilization time select register (OSTS)**

The wait time until the oscillation stabilizes after the STOP mode is released or the wait time until the PLL stabilizes after the IDLE2 mode is released is controlled by the OSTS register.

The OSTS register can be read or written 8-bit units.

Reset sets this register to 06H.

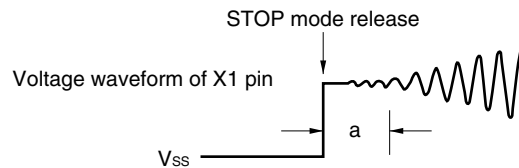
After reset: 06H R/W Address: FFFF6C0H

|      |   |   |   |   |   |       |       |       |
|------|---|---|---|---|---|-------|-------|-------|
|      | 7 | 6 | 5 | 4 | 3 | 2     | 1     | 0     |
| OSTS | 0 | 0 | 0 | 0 | 0 | OSTS2 | OSTS1 | OSTS0 |

| OSTS2 | OSTS1 | OSTS0 | Selection of oscillation stabilization time/setup time <sup>Note</sup> | fx       |           |
|-------|-------|-------|------------------------------------------------------------------------|----------|-----------|
|       |       |       |                                                                        | 4 MHz    | 5 MHz     |
|       |       |       |                                                                        | 0        | 0         |
| 0     | 0     | 1     | $2^{11}/f_x$                                                           | 0.512 ms | 0.410 ms  |
| 0     | 1     | 0     | $2^{12}/f_x$                                                           | 1.024 ms | 0.819 ms  |
| 0     | 1     | 1     | $2^{13}/f_x$                                                           | 2.048 ms | 1.638 ms  |
| 1     | 0     | 0     | $2^{14}/f_x$                                                           | 4.096 ms | 3.277 ms  |
| 1     | 0     | 1     | $2^{15}/f_x$                                                           | 8.192 ms | 6.554 ms  |
| 1     | 1     | 0     | $2^{16}/f_x$                                                           | 16.38 ms | 13.107 ms |
| 1     | 1     | 1     | Setting prohibited                                                     |          |           |

**Note** The oscillation stabilization time and setup time are required when the STOP mode and IDLE2 mode are released, respectively.

**Cautions** 1. The wait time following release of the STOP mode does not include the time until the clock oscillation starts (“a” in the figure below) following release of the STOP mode, regardless of whether the STOP mode is released by reset input or the occurrence of an interrupt request signal.



- 2. Be sure to clear bits 3 to 7 to “0”.
- 3. The oscillation stabilization time following reset release is  $2^{16}/f_x$  (because the initial value of the OSTS register = 06H).

**Remark** fx: Main clock oscillation frequency



## 21.3 HALT Mode

### 21.3.1 Setting and operation status

The HALT mode is set when a dedicated instruction (HALT) is executed in the normal operation mode.

In the HALT mode, the clock oscillator continues operating. Only clock supply to the CPU is stopped; clock supply to the other on-chip peripheral functions continues.

As a result, program execution is stopped, and the internal RAM retains the contents before the HALT mode was set. The on-chip peripheral functions that are independent of instruction processing by the CPU continue operating.

Table 21-3 shows the operating status in the HALT mode.

The average current consumption of the system can be reduced by using the HALT mode in combination with the normal operation mode for intermittent operation.

- Cautions**
1. Insert five or more NOP instructions after the HALT instruction.
  2. If the HALT instruction is executed while an unmasked interrupt request signal is being held pending, the status shifts to HALT mode, but the HALT mode is then released immediately by the pending interrupt request.

### 21.3.2 Releasing HALT mode

The HALT mode is released by a non-maskable interrupt request signal (NMI pin input, INTWDT2 signal), unmasked external interrupt request signal (INTP0 to INTP7 pin input), unmasked internal interrupt request signal from a peripheral function operable in the HALT mode, or reset signal ( $\overline{\text{RESET}}$  pin input, reset signal (WDT2RES) generation by overflow of watchdog timer, or reset signal (CLMRES) generation by clock monitor (CLM)).

After the HALT mode has been released, the normal operation mode is restored.

#### (1) Releasing HALT mode by non-maskable interrupt request signal or unmasked maskable interrupt request signal

The HALT mode is released by a non-maskable interrupt request signal or an unmasked maskable interrupt request signal, regardless of the priority of the interrupt request signal. If the HALT mode is set in an interrupt servicing routine, however, an interrupt request signal that is issued later is serviced as follows.

- (a) If an interrupt request signal with a priority lower than that of the interrupt request currently being serviced is issued, the HALT mode is released, but that interrupt request signal is not acknowledged. The interrupt request signal itself is retained.
- (b) If an interrupt request signal with a priority higher than that of the interrupt request currently being serviced is issued (including a non-maskable interrupt request signal), the HALT mode is released and that interrupt request signal is acknowledged.

**Table 21-2. Operation After Releasing HALT Mode by Interrupt Request Signal**

| Release Source                        | Interrupt Enabled (EI) Status                                                  | Interrupt Disabled (DI) Status    |
|---------------------------------------|--------------------------------------------------------------------------------|-----------------------------------|
| Non-maskable interrupt request signal | Execution branches to the handler address.                                     |                                   |
| Maskable interrupt request signal     | Execution branches to the handler address or the next instruction is executed. | The next instruction is executed. |

**(2) Releasing HALT mode by reset**

The same operation as the normal reset operation is performed.

**Table 21-3. Operating Status in HALT Mode**

| Setting of HALT Mode        |                                           | Operating Status                                                                                                                                                |                       |
|-----------------------------|-------------------------------------------|-----------------------------------------------------------------------------------------------------------------------------------------------------------------|-----------------------|
|                             |                                           | When Subclock Is Not Used                                                                                                                                       | When Subclock Is Used |
| Main clock oscillator       |                                           | Oscillation enabled                                                                                                                                             |                       |
| Subclock oscillator         |                                           | –                                                                                                                                                               | Oscillation enabled   |
| Internal oscillator         |                                           | Oscillation enabled                                                                                                                                             |                       |
| PLL                         |                                           | Operable                                                                                                                                                        |                       |
| CPU                         |                                           | Stops operation                                                                                                                                                 |                       |
| <R>                         | DMA <sup>Note 1</sup>                     | Operable                                                                                                                                                        |                       |
| Interrupt controller        |                                           | Operable                                                                                                                                                        |                       |
| ROM correction              |                                           | Stops operation                                                                                                                                                 |                       |
| <R>                         | Timer P (TMP0 to TMP5 <sup>Note 2</sup> ) | Operable                                                                                                                                                        |                       |
| Timer M (TMM0)              |                                           | Operable when a clock other than f <sub>XT</sub> is selected as the count clock                                                                                 | Operable              |
| Watch timer                 |                                           | Operable when f <sub>X</sub> (divided BRG) is selected as the count clock                                                                                       | Operable              |
| Watchdog timer 2            |                                           | Operable when a clock other than f <sub>XT</sub> is selected as the count clock                                                                                 | Operable              |
|                             | Serial interface                          | CSIB0, CSIB1, CSIB3                                                                                                                                             | Operable              |
|                             |                                           | I <sup>2</sup> C00, I <sup>2</sup> C01                                                                                                                          | Operable              |
|                             |                                           | UARTA0, UARTA1                                                                                                                                                  | Operable              |
| <R>                         | IEBus controller <sup>Note 3</sup>        |                                                                                                                                                                 | Operable              |
| <R>                         | CAN controller <sup>Note 1</sup>          |                                                                                                                                                                 | Operable              |
| A/D converter               |                                           | Operable                                                                                                                                                        |                       |
| <R>                         | D/A converter <sup>Note 1</sup>           |                                                                                                                                                                 | Operable              |
| Key interrupt function (KR) |                                           | Operable                                                                                                                                                        |                       |
| External bus interface      |                                           | See <b>2.2 Pin States</b> .                                                                                                                                     |                       |
| Port function               |                                           | Retains status before HALT mode was set                                                                                                                         |                       |
| Internal data               |                                           | The CPU registers, statuses, data, and all other internal data such as the contents of the internal RAM are retained as they were before the HALT mode was set. |                       |

<R> **Notes** 1.  $\mu$ PD703253Y only

<R> 2.  $\mu$ PD703249Y, 703252Y: TMP0 to TMP4  
 $\mu$ PD703253Y: TMP0 to TMP5

<R> 3.  $\mu$ PD703252Y only

## 21.4 IDLE1 Mode

### 21.4.1 Setting and operation status

The IDLE1 mode is set by clearing the PSMR.PSM1 and PSMR.PSM0 bits to 00 and setting the PSC.STP bit to 1 in the normal operation mode.

In the IDLE1 mode, the clock oscillator, and PLL continue operating but clock supply to the CPU and other on-chip peripheral functions stops.

As a result, program execution stops and the contents of the internal RAM before the IDLE1 mode was set are retained. The CPU and other on-chip peripheral functions stop operating. However, the on-chip peripheral functions that can operate with the subclock or an external clock continue operating.

Table 21-5 shows the operating status in the IDLE1 mode.

The IDLE1 mode can reduce the power consumption more than the HALT mode because it stops the operation of the on-chip peripheral functions. The main clock oscillator does not stop, so the normal operation mode can be restored without waiting for the oscillation stabilization time after the IDLE1 mode has been released, in the same manner as when the HALT mode is released.

- Cautions**
1. Insert five or more NOP instructions after the instruction that stores data in the PSC register to set the IDLE1 mode.
  2. If the IDLE1 mode is set while an unmasked interrupt request signal is being held pending, the IDLE1 mode is released immediately by the pending interrupt request.

### 21.4.2 Releasing IDLE1 mode

The IDLE1 mode is released by a non-maskable interrupt request signal (NMI pin input, INTWDT2 signal), unmasked external interrupt request signal (INTP0 to INTP7 pin input), unmasked internal interrupt request signal from a peripheral function operable in the IDLE1 mode, or reset signal ( $\overline{\text{RESET}}$  pin input, reset signal (WDT2RES) generation by overflow of watchdog timer, or reset signal (CLMRES) generation by clock monitor (CLM)).

After the IDLE1 mode has been released, the normal operation mode is restored.

#### (1) Releasing IDLE1 mode by non-maskable interrupt request signal or unmasked maskable interrupt request signal

The IDLE1 mode is released by a non-maskable interrupt request signal or an unmasked maskable interrupt request signal, regardless of the priority of the interrupt request signal. If the IDLE1 mode is set in an interrupt servicing routine, however, an interrupt request signal that is issued later is processed as follows.

- (a) If an interrupt request signal with a priority lower than that of the interrupt request currently being serviced is issued, the IDLE1 mode is released, but that interrupt request signal is not acknowledged. The interrupt request signal itself is retained.
- (b) If an interrupt request signal with a priority higher than that of the interrupt request currently being serviced is issued (including a non-maskable interrupt request signal), the IDLE1 mode is released and that interrupt request signal is acknowledged.

**Caution** An interrupt request signal that is disabled by setting the PSC.NMI1M, PSC.NMI0M, and PSC.INTM bits to 1 becomes invalid and IDLE1 mode is not released.

**Table 21-4. Operation After Releasing IDLE1 Mode by Interrupt Request Signal**

| Release Source                        | Interrupt Enabled (EI) Status                                                  | Interrupt Disabled (DI) Status    |
|---------------------------------------|--------------------------------------------------------------------------------|-----------------------------------|
| Non-maskable interrupt request signal | Execution branches to the handler address.                                     |                                   |
| Maskable interrupt request signal     | Execution branches to the handler address or the next instruction is executed. | The next instruction is executed. |

**(2) Releasing IDLE1 mode by reset**

The same operation as the normal reset operation is performed.

**Table 21-5. Operating Status in IDLE1 Mode**

| Setting of IDLE1 Mode       |                                           | Operating Status                                                                                                                                                 |                                                                                  |
|-----------------------------|-------------------------------------------|------------------------------------------------------------------------------------------------------------------------------------------------------------------|----------------------------------------------------------------------------------|
|                             |                                           | When Subclock Is Not Used                                                                                                                                        | When Subclock Is Used                                                            |
| Main clock oscillator       |                                           | Oscillation enabled                                                                                                                                              |                                                                                  |
| Subclock oscillator         |                                           | –                                                                                                                                                                | Oscillation enabled                                                              |
| Internal oscillator         |                                           | Oscillation enabled                                                                                                                                              |                                                                                  |
| PLL                         |                                           | Operable                                                                                                                                                         |                                                                                  |
| CPU                         |                                           | Stops operation                                                                                                                                                  |                                                                                  |
| <R>                         | DMA <sup>Note 1</sup>                     | Stops operation                                                                                                                                                  |                                                                                  |
| Interrupt controller        |                                           | Stops operation (but standby mode release enabled)                                                                                                               |                                                                                  |
| ROM correction              |                                           | Stops operation                                                                                                                                                  |                                                                                  |
| <R>                         | Timer P (TMP0 to TMP5 <sup>Note 2</sup> ) | Stops operation                                                                                                                                                  |                                                                                  |
| Timer M (TMM0)              |                                           | Operable when $f_{R/8}$ is selected as the count clock                                                                                                           | Operable when $f_{R/8}$ or $f_{XT}$ is selected as the count clock               |
| Watch timer                 |                                           | Operable when $f_x$ (divided BRG) is selected as the count clock                                                                                                 | Operable                                                                         |
| Watchdog timer 2            |                                           | Operable when $f_R$ is selected as the count clock                                                                                                               | Operable when $f_R$ or $f_{XT}$ is selected as the count clock                   |
|                             | Serial interface                          | CSIB0, CSIB1, CSIB3                                                                                                                                              | Operable when the SCKBn input clock is selected as the count clock (n = 0, 1, 3) |
|                             |                                           | I <sup>2</sup> C00, I <sup>2</sup> C01                                                                                                                           | Stops operation                                                                  |
|                             |                                           | UARTA0, UARTA1                                                                                                                                                   | Stops operation (but UARTA0 is operable when the ASCKA0 input clock is selected) |
| <R>                         | IEBus controller <sup>Note 3</sup>        | Stops operation                                                                                                                                                  |                                                                                  |
| <R>                         | CAN controller <sup>Note 1</sup>          | Stops operation                                                                                                                                                  |                                                                                  |
| A/D converter               |                                           | Holds operation (conversion result held) <sup>Note 4</sup>                                                                                                       |                                                                                  |
| <R>                         | D/A converter <sup>Note 1</sup>           | Holds operation (output held <sup>Note 4</sup> )                                                                                                                 |                                                                                  |
| Key interrupt function (KR) |                                           | Operable                                                                                                                                                         |                                                                                  |
| External bus interface      |                                           | See <b>2.2 Pin States</b> .                                                                                                                                      |                                                                                  |
| Port function               |                                           | Retains status before IDLE1 mode was set                                                                                                                         |                                                                                  |
| Internal data               |                                           | The CPU registers, statuses, data, and all other internal data such as the contents of the internal RAM are retained as they were before the IDLE1 mode was set. |                                                                                  |

<R> **Notes 1.**  $\mu$ PD703253Y only

<R> **2.**  $\mu$ PD703249Y, 703252Y: TMP0 to TMP4  
 $\mu$ PD703253Y: TMP0 to TMP5

<R> **3.**  $\mu$ PD703252Y only

<R> **4.** To realize low power consumption, stop the A/D converter and D/A converter before shifting to the IDLE1 mode.

## 21.5 IDLE2 Mode

### 21.5.1 Setting and operation status

The IDLE2 mode is set by setting the PSMR.PSM1 and PSMR.PSM0 bits to 10 and setting the PSC.STP bit to 1 in the normal operation mode.

In the IDLE2 mode, the clock oscillator continues operation but clock supply to the CPU, PLL, and other on-chip peripheral functions stops.

As a result, program execution stops and the contents of the internal RAM before the IDLE2 mode was set are retained. The CPU, PLL, and other on-chip peripheral functions stop operating. However, the on-chip peripheral functions that can operate with the subclock or an external clock continue operating.

Table 21-7 shows the operating status in the IDLE2 mode.

The IDLE2 mode can reduce the power consumption more than the IDLE1 mode because it stops the operations of the on-chip peripheral functions and PLL. However, because the PLL are stopped, a setup time for the PLL is required when the IDLE2 mode is released.

- Cautions 1. Insert five or more NOP instructions after the instruction that stores data in the PSC register to set the IDLE2 mode.**
- 2. If the IDLE2 mode is set while an unmasked interrupt request signal is being held pending, the IDLE2 mode is released immediately by the pending interrupt request.**

### 21.5.2 Releasing IDLE2 mode

The IDLE2 mode is released by a non-maskable interrupt request signal (NMI pin input, INTWDT2 signal), unmasked external interrupt request signal (INTP0 to INTP7 pin input), unmasked internal interrupt request signal from the peripheral functions operable in the IDLE2 mode, or reset signal ( $\overline{\text{RESET}}$  pin input, reset signal (WDT2RES) generation by overflow of watchdog timer, or reset signal (CLMRES) generation by clock monitor (CLM)). The PLL returns to the operating status it was in before the IDLE2 mode was set.

After the IDLE2 mode has been released, the normal operation mode is restored.

#### (1) Releasing IDLE2 mode by non-maskable interrupt request signal or unmasked maskable interrupt request signal

The IDLE2 mode is released by a non-maskable interrupt request signal or an unmasked maskable interrupt request signal, regardless of the priority of the interrupt request signal. If the IDLE2 mode is set in an interrupt servicing routine, however, an interrupt request signal that is issued later is processed as follows.

- (a) If an interrupt request signal with a priority lower than that of the interrupt request currently being serviced is issued, the IDLE2 mode is released, but that interrupt request signal is not acknowledged. The interrupt request signal itself is retained.
- (b) If an interrupt request signal with a priority higher than that of the interrupt request currently being serviced is issued (including a non-maskable interrupt request signal), the IDLE2 mode is released and that interrupt request signal is acknowledged.

**Caution** The interrupt request signal that is disabled by setting the PSC.NMI1M, PSC.NMI0M, and PSC.INTM bits to 1 becomes invalid and IDLE2 mode is not released.

**Table 21-6. Operation After Releasing IDLE2 Mode by Interrupt Request Signal**

| Release Source                        | Interrupt Enabled (EI) Status                                                                                           | Interrupt Disabled (DI) Status                                             |
|---------------------------------------|-------------------------------------------------------------------------------------------------------------------------|----------------------------------------------------------------------------|
| Non-maskable interrupt request signal | Execution branches to the handler address after securing the prescribed setup time.                                     |                                                                            |
| Maskable interrupt request signal     | Execution branches to the handler address or the next instruction is executed after securing the prescribed setup time. | The next instruction is executed after securing the prescribed setup time. |

**(2) Releasing IDLE2 mode by reset**

The same operation as the normal reset operation is performed.

**Table 21-7. Operating Status in IDLE2 Mode**

| Setting of IDLE2 Mode       |                                           | Operating Status                                                                                                                                                 |                                                                                                   |
|-----------------------------|-------------------------------------------|------------------------------------------------------------------------------------------------------------------------------------------------------------------|---------------------------------------------------------------------------------------------------|
|                             |                                           | When Subclock Is Not Used                                                                                                                                        | When Subclock Is Used                                                                             |
| Main clock oscillator       |                                           | Oscillation enabled                                                                                                                                              |                                                                                                   |
| Subclock oscillator         |                                           | –                                                                                                                                                                | Oscillation enabled                                                                               |
| Internal oscillator         |                                           | Oscillation enabled                                                                                                                                              |                                                                                                   |
| PLL                         |                                           | Stops operation                                                                                                                                                  |                                                                                                   |
| CPU                         |                                           | Stops operation                                                                                                                                                  |                                                                                                   |
| <R>                         | DMA <sup>Note 1</sup>                     | Stops operation                                                                                                                                                  |                                                                                                   |
| <R>                         | Interrupt controller                      | Stops operation (but standby release enabled)                                                                                                                    |                                                                                                   |
| ROM correction              |                                           | Stops operation                                                                                                                                                  |                                                                                                   |
| <R>                         | Timer P (TMP0 to TMP5 <sup>Note 2</sup> ) | Stops operation                                                                                                                                                  |                                                                                                   |
| Timer M (TMM0)              |                                           | Operable when $f_{R/8}$ is selected as the count clock                                                                                                           | Operable when $f_{R/8}$ or $f_{XT}$ is selected as the count clock                                |
| Watch timer                 |                                           | Operable when $f_x$ (divided BRG) is selected as the count clock                                                                                                 | Operable                                                                                          |
| Watchdog timer 2            |                                           | Operable when $f_R$ is selected as the count clock                                                                                                               | Operable when $f_R$ or $f_{XT}$ is selected as the count clock                                    |
|                             | Serial interface                          | CSIB0, CSIB1, CSIB3                                                                                                                                              | Operable when the $\overline{SCKBn}$ input clock is selected as the count clock ( $n = 0, 1, 3$ ) |
|                             |                                           | I <sup>2</sup> C00, I <sup>2</sup> C01                                                                                                                           | Stops operation                                                                                   |
|                             |                                           | UARTA0, UARTA1                                                                                                                                                   | Stops operation (but UARTA0 is operable when the ASCKA0 input clock is selected)                  |
| <R>                         | IEBus controller <sup>Note 3</sup>        | Stops operation                                                                                                                                                  |                                                                                                   |
| <R>                         | CAN controller <sup>Note 1</sup>          | Stops operation                                                                                                                                                  |                                                                                                   |
| A/D converter               |                                           | Holds operation (conversion result held) <sup>Note 4</sup>                                                                                                       |                                                                                                   |
| <R>                         | D/A converter <sup>Note 1</sup>           | Holds operation (output held) <sup>Note 4</sup>                                                                                                                  |                                                                                                   |
| Key interrupt function (KR) |                                           | Operable                                                                                                                                                         |                                                                                                   |
| External bus interface      |                                           | See <b>2.2 Pin States</b> .                                                                                                                                      |                                                                                                   |
| Port function               |                                           | Retains status before IDLE2 mode was set                                                                                                                         |                                                                                                   |
| Internal data               |                                           | The CPU registers, statuses, data, and all other internal data such as the contents of the internal RAM are retained as they were before the IDLE2 mode was set. |                                                                                                   |

- <R> **Notes**
1.  $\mu$ PD703253Y only
  2.  $\mu$ PD703249Y, 703252Y: TMP0 to TMP4  
 $\mu$ PD703253Y: TMP0 to TMP5
  3.  $\mu$ PD703252Y only
  4. To realize low power consumption, stop the A/D converter and D/A converter before shifting to the IDLE2 mode.

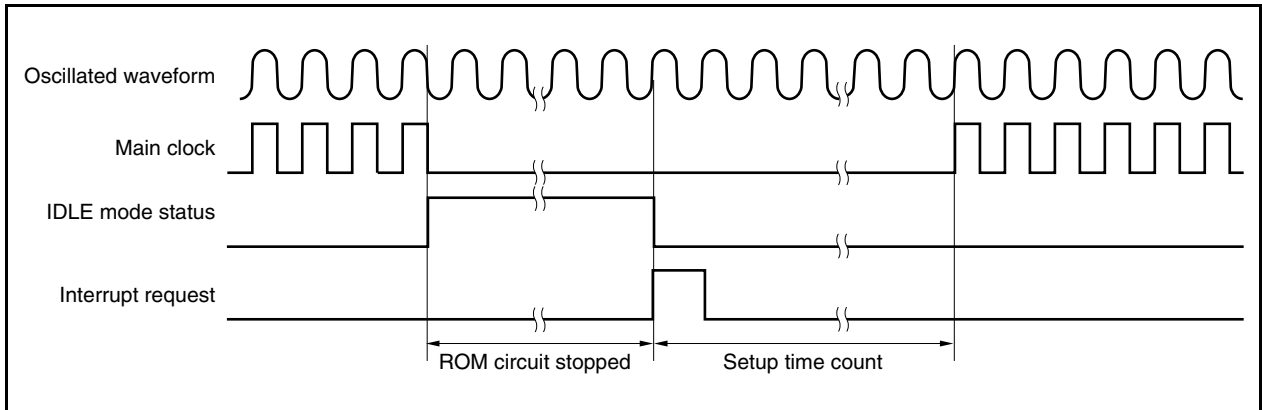
### 21.5.3 Securing setup time when releasing IDLE2 mode

Secure the setup time for the PLL after releasing the IDLE2 mode because the operation of the blocks other than the main clock oscillator stops after the IDLE2 mode is set.

#### (1) Releasing IDLE2 mode by non-maskable interrupt request signal or unmasked maskable interrupt request signal

Secure the specified setup time by setting the OSTS register.

When the releasing source is generated, the dedicated internal timer starts counting according to the OSTS register setting. When it overflows, the normal operation mode is restored.



#### (2) Release by reset ( $\overline{\text{RESET}}$ pin input, WDT2RES generation)

This operation is the same as that of a normal reset.

The oscillation stabilization time is the initial value of the OSTS register,  $2^{16}/f_x$ .

## 21.6 STOP Mode

### 21.6.1 Setting and operation status

The STOP mode is set by setting the PSMR.PSM1 and PSMR.PSM0 bits to 01 or 11 and setting the PSC.STP bit to 1 in the normal operation mode.

In the STOP mode, the subclock oscillator continues operating but the main clock oscillator stops. Clock supply to the CPU and the on-chip peripheral functions is stopped.

As a result, program execution stops, and the contents of the internal RAM before the STOP mode was set are retained. The on-chip peripheral functions that operate with the clock oscillated by the subclock oscillator or an external clock continue operating.

Table 21-9 shows the operating status in the STOP mode.

Because the STOP mode stops operation of the main clock oscillator, it reduces the power consumption to a level lower than the IDLE2 mode. If the subclock oscillator, internal oscillator, and external clock are not used, the power consumption can be minimized with only leakage current flowing.

**Cautions 1, Insert five or more NOP instructions after the instruction that stores data in the PSC register to set the STOP mode.**

**2. If the STOP mode is set while an unmasked interrupt request signal is being held pending, the STOP mode is released immediately by the pending interrupt request.**

### 21.6.2 Releasing STOP mode

The STOP mode is released by a non-maskable interrupt request signal (NMI pin input, INTWDT2 signal), unmasked external interrupt request signal (INTP0 to INTP7 pin input), unmasked internal interrupt request signal from the peripheral functions operable in the STOP mode, or reset signal ( $\overline{\text{RESET}}$  pin input and reset signal (WDT2RES) generation by overflow of watchdog timer).

After the STOP mode has been released, the normal operation mode is restored after the oscillation stabilization time has been secured.

#### (1) Releasing STOP mode by non-maskable interrupt request signal or unmasked maskable interrupt request signal

The STOP mode is released by a non-maskable interrupt request signal or an unmasked maskable interrupt request signal, regardless of the priority of the interrupt request signal. If the STOP mode is set in an interrupt servicing routine, however, an interrupt request signal that is issued later is serviced as follows.

- (a) If an interrupt request signal with a priority lower than that of the interrupt request currently being serviced is issued, the STOP mode is released, but that interrupt request signal is not acknowledged. The interrupt request signal itself is retained.
- (b) If an interrupt request signal with a priority higher than that of the interrupt request currently being serviced is issued (including a non-maskable interrupt request signal), the STOP mode is released and that interrupt request signal is acknowledged.

**Caution** The interrupt request that is disabled by setting the PSC.NMI1M, PSC.NMI0M, and PSC.INTM bits to 1 becomes invalid and STOP mode is not released.



**Table 21-8. Operation After Releasing STOP Mode by Interrupt Request Signal**

| Release Source                        | Interrupt Enabled (EI) Status                                                                                                    | Interrupt Disabled (DI) Status                                                      |
|---------------------------------------|----------------------------------------------------------------------------------------------------------------------------------|-------------------------------------------------------------------------------------|
| Non-maskable interrupt request signal | Execution branches to the handler address after securing the oscillation stabilization time.                                     |                                                                                     |
| Maskable interrupt request signal     | Execution branches to the handler address or the next instruction is executed after securing the oscillation stabilization time. | The next instruction is executed after securing the oscillation stabilization time. |

(2) Releasing STOP mode by reset

The same operation as the normal reset operation is performed.

Table 21-9. Operating Status in STOP Mode

| Setting of IDLE2 Mode       |                                           | Operating Status                                                                                                                                                |                                                                                   |
|-----------------------------|-------------------------------------------|-----------------------------------------------------------------------------------------------------------------------------------------------------------------|-----------------------------------------------------------------------------------|
|                             |                                           | When Subclock Is Not Used                                                                                                                                       | When Subclock Is Used                                                             |
| Main clock oscillator       |                                           | Stops oscillation                                                                                                                                               |                                                                                   |
| Subclock oscillator         |                                           | –                                                                                                                                                               | Oscillation enabled                                                               |
| Internal oscillator         |                                           | Oscillation enabled                                                                                                                                             |                                                                                   |
| PLL                         |                                           | Stops operation                                                                                                                                                 |                                                                                   |
| CPU                         |                                           | Stops operation                                                                                                                                                 |                                                                                   |
| <R>                         | DMA <sup>Note 1</sup>                     | Stops operation                                                                                                                                                 |                                                                                   |
| <R>                         | Interrupt controller                      | Stops operation (but standby mode release enabled)                                                                                                              |                                                                                   |
| ROM correction              |                                           | Stops operation                                                                                                                                                 |                                                                                   |
| <R>                         | Timer P (TMP0 to TMP5 <sup>Note 2</sup> ) | Stops operation                                                                                                                                                 |                                                                                   |
| Timer M (TMM0)              |                                           | Operable when f <sub>R</sub> /8 is selected as the count clock                                                                                                  | Operable when f <sub>R</sub> /8 or f <sub>XT</sub> is selected as the count clock |
| Watch timer                 |                                           | Stops operation                                                                                                                                                 | Operable when f <sub>XT</sub> is selected as the count clock                      |
| Watchdog timer 2            |                                           | Operable when f <sub>R</sub> is selected as the count clock                                                                                                     | Operable when f <sub>R</sub> or f <sub>XT</sub> is selected as the count clock    |
| Serial interface            | CSIB0, CSIB1, CSIB3                       | Operable when the SCKB <sub>n</sub> input clock is selected as the count clock (n = 0, 1, 3)                                                                    |                                                                                   |
|                             | I <sup>2</sup> C00, I <sup>2</sup> C01    | Stops operation                                                                                                                                                 |                                                                                   |
|                             | UARTA0, UARTA1                            | Stops operation (but UARTA0 is operable when the ASCKA0 input clock is selected)                                                                                |                                                                                   |
| <R>                         | IEBus controller <sup>Note 3</sup>        | Stops operation                                                                                                                                                 |                                                                                   |
| <R>                         | CAN controller <sup>Note 1</sup>          | Stops operation                                                                                                                                                 |                                                                                   |
| A/D converter               |                                           | Stops operation (conversion result undefined) <sup>Notes 4, 5</sup>                                                                                             |                                                                                   |
| <R>                         | D/A converter <sup>Note 1</sup>           | Stops operation <sup>Notes 6, 7</sup> (high impedance is output)                                                                                                |                                                                                   |
| Key interrupt function (KR) |                                           | Operable                                                                                                                                                        |                                                                                   |
| External bus interface      |                                           | See 2.2 Pin States.                                                                                                                                             |                                                                                   |
| Port function               |                                           | Retains status before STOP mode was set                                                                                                                         |                                                                                   |
| Internal data               |                                           | The CPU registers, statuses, data, and all other internal data such as the contents of the internal RAM are retained as they were before the STOP mode was set. |                                                                                   |

<R> **Notes 1.** μPD703253Y only

<R> **2.** μPD703249Y, 703252Y: TMP0 to TMP4  
 μPD703253Y: TMP0 to TMP5

<R> **3.** μPD703252Y only

**4.** If the STOP mode is set while the A/D converter is operating, the A/D converter is automatically stopped and starts operating again after the STOP mode is released. However, in that case, the A/D conversion results after the STOP mode is released are invalid. All the A/D conversion results before the STOP mode is set are invalid.

**5.** Even if the STOP mode is set while the A/D converter is operating, the power consumption is reduced equivalently to when the A/D converter is stopped before the STOP mode is set.

<R> **6.** If the STOP mode is set while the D/A converter is operating, the D/A converter is automatically stopped and the pin status becomes high impedance. After the STOP mode is released, D/A conversion resumes, the setting time elapses, and the status returns to the output level before the STOP mode was set.

<R> **7.** Even if the STOP mode is set while the D/A converter is operating, the power consumption is reduced equivalently to when the D/A converter is stopped before the STOP mode is set.

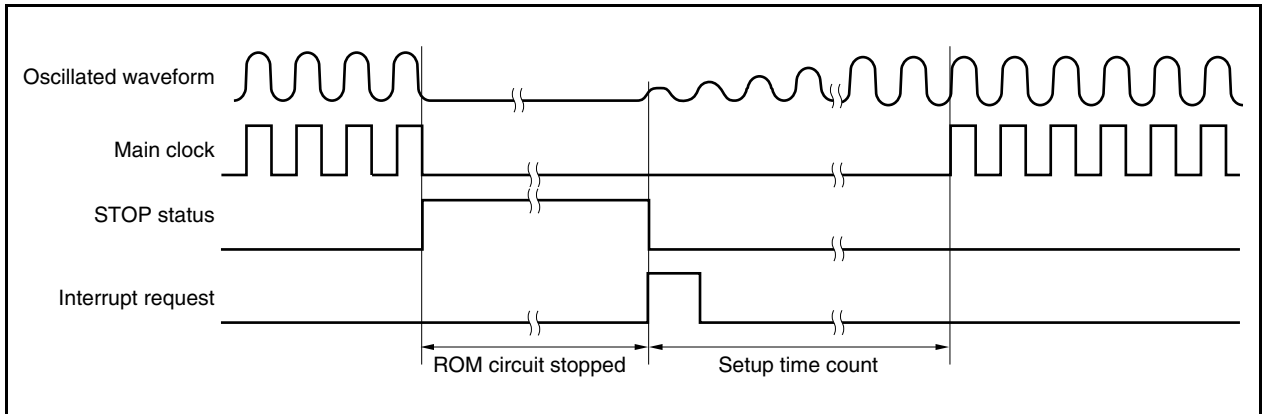
### 21.6.3 Securing oscillation stabilization time when releasing STOP mode

Secure the oscillation stabilization time for the main clock oscillator after releasing the STOP mode because the operation of the main clock oscillator stops after STOP mode is set.

#### (1) Releasing STOP mode by non-maskable interrupt request signal or unmasked maskable interrupt request signal

Secure the oscillation stabilization time by setting the OSTS register.

When the releasing source is generated, the dedicated internal timer starts counting according to the OSTS register setting. When it overflows, the normal operation mode is restored.



#### (2) Release by reset

This operation is the same as that of a normal reset.

The oscillation stabilization time is the initial value of the OSTS register,  $2^{16}/f_x$ .

## 21.7 Subclock Operation Mode

### 21.7.1 Setting and operation status

The subclock operation mode is set by setting the PCC.CK3 bit to 1 in the normal operation mode.

When the subclock operation mode is set, the internal system clock is changed from the main clock to the subclock. Check whether the clock has been switched by using the PCC.CLS bit.

When the PCC.MCK bit is set to 1, the operation of the main clock oscillator is stopped. As a result, the system operates only on the subclock.

In the subclock operation mode, the power consumption can be reduced to a level lower than in the normal operation mode because the subclock is used as the internal system clock. In addition, the power consumption can be further reduced to the level of the STOP mode by stopping the operation of the main clock oscillator.

Table 21-10 shows the operating status in subclock operation mode.

**Cautions** 1. When manipulating the CK3 bit, do not change the set values of the PCC.CK2 to PCC.CK0 bits (using a bit manipulation instruction to manipulate the bit is recommended). For details of the PCC register, see 6.3 (1) Processor clock control register (PCC).

2. If the following conditions are not satisfied, change the CK2 to CK0 bits so that the conditions are satisfied and set the subclock operation mode.

$$\text{Internal system clock (f}_{\text{CLK}}) > \text{Subclock (f}_{\text{XT}} = 32.768 \text{ kHz}) \times 4$$

**Remark** Internal system clock: Clock generated from the main clock (f<sub>xx</sub>) in accordance with the settings of the CK2 to CK0 bits

### 21.7.2 Releasing subclock operation mode

The subclock operation mode is released by a reset signal ( $\overline{\text{RESET}}$  pin input, reset signal (WDT2RES) generation by overflow of watchdog timer, or reset signal (CLMRES) generation by clock monitor (CLM)) or by clearing the CK3 bit to 0.

If the main clock is stopped (MCK bit = 1), set the MCK bit to 1, secure the oscillation stabilization time of the main clock by software, and clear the CK3 bit to 0.

The normal operation mode is restored when the subclock operation mode is released.

**Caution** When manipulating the CK3 bit, do not change the set values of the CK2 to CK0 bits (using a bit manipulation instruction to manipulate the bit is recommended).

For details of the PCC register, see 6.3 (1) Processor clock control register (PCC).

Table 21-10. Operating Status in Subclock Operation Mode

| Setting of Subclock Operation Mode<br>Item |                                           | Operating Status                       |                                                                    |                                                                                  |
|--------------------------------------------|-------------------------------------------|----------------------------------------|--------------------------------------------------------------------|----------------------------------------------------------------------------------|
|                                            |                                           | When Main Clock Is Oscillating         | When Main Clock Is Stopped                                         |                                                                                  |
| Subclock oscillator                        |                                           | Oscillation enabled                    |                                                                    |                                                                                  |
| Internal oscillator                        |                                           | Oscillation enabled                    |                                                                    |                                                                                  |
| <R>                                        | PLL                                       | Operable                               | Stops operation <sup>Note 4</sup>                                  |                                                                                  |
| CPU                                        |                                           | Operable                               |                                                                    |                                                                                  |
| <R>                                        | DMA <sup>Note 1</sup>                     | Operable                               |                                                                    |                                                                                  |
| Interrupt controller                       |                                           | Operable                               |                                                                    |                                                                                  |
| ROM correction                             |                                           | Operable                               |                                                                    |                                                                                  |
| <R>                                        | Timer P (TMP0 to TMP5 <sup>Note 2</sup> ) | Operable                               | Stops operation <sup>Note 4</sup>                                  |                                                                                  |
| Timer M (TMM0)                             |                                           | Operable                               | Operable when $f_{R/8}$ or $f_{XT}$ is selected as the count clock |                                                                                  |
| Watch timer                                |                                           | Operable                               | Operable when $f_{XT}$ is selected as the count clock              |                                                                                  |
| Watchdog timer 2                           |                                           | Operable                               | Operable when $f_{R}$ or $f_{XT}$ is selected as the count clock   |                                                                                  |
| <R>                                        | Serial interface                          | CSIB0, CSIB1, CSIB3                    | Operable                                                           | Operable when the SCKBn input clock is selected as the count clock (n = 0, 1, 3) |
|                                            |                                           | I <sup>2</sup> C00, I <sup>2</sup> C01 | Operable                                                           | Stops operation <sup>Note 4</sup>                                                |
|                                            |                                           | UARTA0, UARTA1                         | Operable                                                           | Stops operation (but UARTA0 is operable when the ASCKA0 input clock is selected) |
| <R>                                        | IEBus controller <sup>Note 3</sup>        |                                        | Operable                                                           | Stops operation <sup>Note 4</sup>                                                |
| <R>                                        | CAN controller <sup>Note 1</sup>          |                                        | Operable                                                           | Stops operation <sup>Note 4</sup>                                                |
| <R>                                        | A/D converter                             |                                        | Operable                                                           | Stops operation <sup>Note 4</sup>                                                |
| <R>                                        | D/A converter <sup>Note 1</sup>           |                                        | Operable                                                           |                                                                                  |
| Key interrupt function (KR)                |                                           | Operable                               |                                                                    |                                                                                  |
| <R>                                        | External bus interface                    |                                        | Operable                                                           |                                                                                  |
| Port function                              |                                           | Settable                               |                                                                    |                                                                                  |
| Internal data                              |                                           | Settable                               |                                                                    |                                                                                  |

<R> **Notes** 1.  $\mu$ PD703253Y only

<R> 2.  $\mu$ PD703249Y, 703252Y: TMP0 to TMP4  
 $\mu$ PD703253Y: TMP0 to TMP5

<R> 3.  $\mu$ PD703252Y only

<R> 4. To stop the main clock, be sure to stop PLL (PLLCTL.PLLON bit = 0).  
Also stop the internal peripheral functions that are operating on the main clock.

**Caution** When the CPU is operating on the subclock and main clock oscillation is stopped, accessing a register in which a wait occurs is disabled. If a wait is generated, it can be released only by reset (see 3.4.9 (2)).

## 21.8 Sub-IDLE Mode

### 21.8.1 Setting and operation status

The sub-IDLE mode is set by setting the PSMR.PSM1 and PSMR.PSM0 bits to 00 or 10 and setting the PSC.STP bit to 1 in the subclock operation mode.

In this mode, the clock oscillator continues operating but clock supply to the CPU and the other on-chip peripheral functions is stopped.

As a result, program execution stops and the contents of the internal RAM before the sub-IDLE mode was set are retained. The CPU and the other on-chip peripheral functions are stopped. However, the on-chip peripheral functions that can operate with the subclock or an external clock continue operating.

Because the sub-IDLE mode stops operation of the CPU and other on-chip peripheral functions, it can reduce the power consumption more than the subclock operation mode. If the sub-IDLE mode is set after the main clock has been stopped, the current consumption can be reduced to a level as low as that in the STOP mode.

Table 21-12 shows the operating status in the sub-IDLE mode.

- Cautions 1. Following the store instruction to the PSC register for setting the sub-IDLE mode, insert the five or more NOP instructions.**
- 2. If the sub-IDLE mode is set while an unmasked interrupt request signal is being held pending, the sub-IDLE mode is then released immediately by the pending interrupt request.**

### 21.8.2 Releasing sub-IDLE mode

The sub-IDLE mode is released by a non-maskable interrupt request signal (NMI pin input, INTWDT2 signal), unmasked external interrupt request signal (INTP0 to INTP7 pin input), unmasked internal interrupt request signal from the peripheral functions operable in the sub-IDLE mode, or reset signal ( $\overline{\text{RESET}}$  pin input, reset signal (WDT2RES) generation by overflow of watchdog timer, or reset signal (CLMRES) generation by clock monitor (CLM)). The PLL returns to the operating status it was in before the sub-IDLE mode was set.

When the sub-IDLE mode is released by an interrupt request signal, the subclock operation mode is set.

#### (1) Releasing sub-IDLE mode by non-maskable interrupt request signal or unmasked maskable interrupt request signal

The sub-IDLE mode is released by a non-maskable interrupt request signal or an unmasked maskable interrupt request signal, regardless of the priority of the interrupt request signal.

If the sub-IDLE mode is set in an interrupt servicing routine, however, an interrupt request signal that is issued later is serviced as follows.

- (a) If an interrupt request signal with a priority lower than that of the interrupt request currently being serviced is issued, the sub-IDLE mode is released, but that interrupt request signal is not acknowledged. The interrupt request signal itself is retained.
- (b) If an interrupt request signal with a priority higher than that of the interrupt request currently being serviced is issued (including a non-maskable interrupt request signal), the sub-IDLE mode is released and that interrupt request signal is acknowledged.

- Cautions 1. The interrupt request signal that is disabled by setting the PSC.NMI1M, PSC.NMI0M, and PSC.INTM bits to 1 becomes invalid and sub-IDLE mode is not released.**
- 2. When the sub-IDLE mode is released, 12 cycles of the subclock (about 366  $\mu\text{s}$ ) elapse from when the interrupt request signal that releases the sub-IDLE mode is generated to when the mode is released.**

**Table 21-11. Operation After Releasing Sub-IDLE Mode by Interrupt Request Signal**

| Release Source                        | Interrupt Enabled (EI) Status                                                  | Interrupt Disabled (DI) Status    |
|---------------------------------------|--------------------------------------------------------------------------------|-----------------------------------|
| Non-maskable interrupt request signal | Execution branches to the handler address.                                     |                                   |
| Maskable interrupt request signal     | Execution branches to the handler address or the next instruction is executed. | The next instruction is executed. |

**(2) Releasing sub-IDLE mode by reset**

The same operation as the normal reset operation is performed.

**Table 21-12. Operating Status in Sub-IDLE Mode**

| Setting of Sub-IDLE Mode                      |                                        | Operating Status                                                                                                                                                    |                                                                              |
|-----------------------------------------------|----------------------------------------|---------------------------------------------------------------------------------------------------------------------------------------------------------------------|------------------------------------------------------------------------------|
|                                               |                                        | When Main Clock Is Oscillating                                                                                                                                      | When Main Clock Is Stopped                                                   |
| Subclock oscillator                           |                                        | Oscillation enabled                                                                                                                                                 |                                                                              |
| Internal oscillator                           |                                        | Oscillation enabled                                                                                                                                                 |                                                                              |
| PLL                                           |                                        | Operable                                                                                                                                                            | Stops operation <sup>Note 4</sup>                                            |
| CPU                                           |                                        | Stops operation                                                                                                                                                     |                                                                              |
| <R> DMA <sup>Note 1</sup>                     |                                        | Stops operation                                                                                                                                                     |                                                                              |
| <R> Interrupt controller                      |                                        | Stops operation (but standby mode release enabled)                                                                                                                  |                                                                              |
| ROM correction                                |                                        | Stops operation                                                                                                                                                     |                                                                              |
| <R> Timer P (TMP0 to TMP5 <sup>Note 2</sup> ) |                                        | Stops operation                                                                                                                                                     |                                                                              |
| Timer M (TMM0)                                |                                        | Operable when f <sub>R</sub> /8 or f <sub>X<math>\tau</math></sub> is selected as the count clock                                                                   |                                                                              |
| Watch timer                                   |                                        | Stops operation                                                                                                                                                     | Operable when f <sub>X<math>\tau</math></sub> is selected as the count clock |
| Watchdog timer 2                              |                                        | Operable when f <sub>R</sub> or f <sub>X<math>\tau</math></sub> is selected as the count clock                                                                      |                                                                              |
| Serial interface                              | CSIB0, CSIB1, CSIB3                    | Operable when the SCKB <sub>n</sub> input clock is selected as the count clock (n = 0, 1, 3)                                                                        |                                                                              |
|                                               | I <sup>2</sup> C00, I <sup>2</sup> C01 | Stops operation                                                                                                                                                     |                                                                              |
|                                               | UARTA0, UARTA1                         | Stops operation (but UARTA0 is operable when the ASCKA0 input clock is selected)                                                                                    |                                                                              |
| <R> IEBus controller <sup>Note 3</sup>        |                                        | Stops operation                                                                                                                                                     |                                                                              |
| <R> CAN controller <sup>Note 1</sup>          |                                        | Stops operation                                                                                                                                                     |                                                                              |
| A/D converter                                 |                                        | Holds operation (conversion result held) <sup>Note 5</sup>                                                                                                          |                                                                              |
| <R> D/A converter <sup>Note 1</sup>           |                                        | Holds operation (output held) <sup>Note 5</sup>                                                                                                                     |                                                                              |
| Key interrupt function (KR)                   |                                        | Operable                                                                                                                                                            |                                                                              |
| External bus interface                        |                                        | See <b>2.2 Pin States</b> (same operation status as IDLE1, IDLE2 mode).                                                                                             |                                                                              |
| Port function                                 |                                        | Retains status before sub-IDLE mode was set                                                                                                                         |                                                                              |
| Internal data                                 |                                        | The CPU registers, statuses, data, and all other internal data such as the contents of the internal RAM are retained as they were before the sub-IDLE mode was set. |                                                                              |

**Notes** 1.  $\mu$ PD703253Y only

2.  $\mu$ PD703249Y, 703252Y: TMP0 to TMP4  
 $\mu$ PD703253Y: TMP0 to TMP5

3.  $\mu$ PD703252Y only

4. Be sure to stop the PLL (PLLCTL.PLLON bit = 0) before stopping the main clock.

5. To realize low power consumption, stop the A/D and D/A converters before shifting to the sub-IDLE mode.

## CHAPTER 22 RESET FUNCTIONS

### 22.1 Overview

The following reset functions are available.

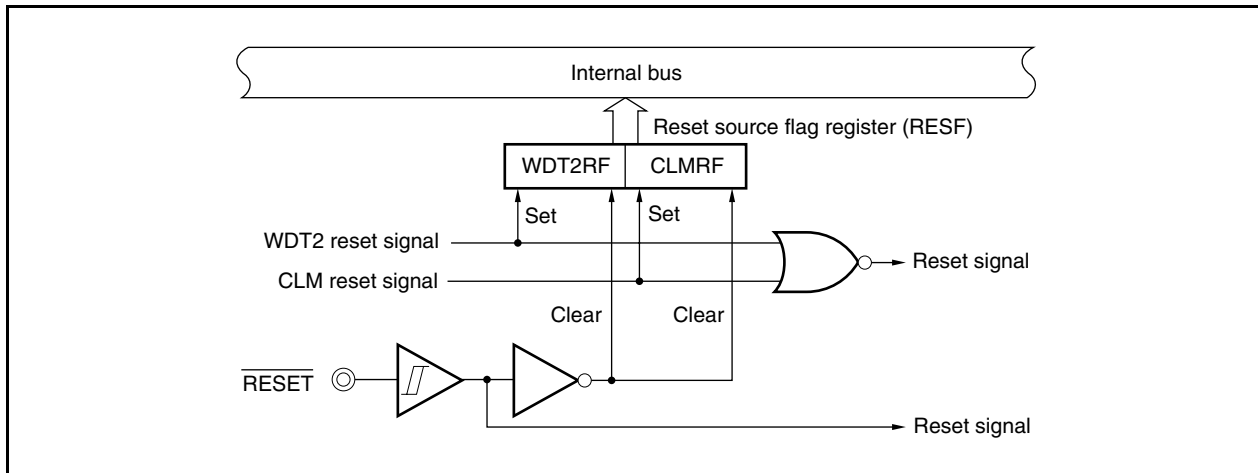
- (1) Three kinds of reset sources
  - External reset input via the  $\overline{\text{RESET}}$  pin
  - Reset via the watchdog timer 2 (WDT2) overflow (WDT2RES)
  - System reset via the detecting clock monitor (CLM) oscillation stop

After a reset is released, the source of the reset can be confirmed with the reset source flag register (RESF).

- (2) Emergency operation mode  
<R> If the WDT2 overflows during the main clock oscillation stabilization time inserted after reset release or STOP mode release, a main clock oscillation anomaly is judged and the CPU starts operating on the internal oscillation clock.

**Caution** When the CPU operates on the internal oscillation clock, access to the register in which a wait state is generated is prohibited. For the register in which a wait state is generated, see 3.4.9 (2) Accessing specific on-chip peripheral I/O registers.

Figure 22-1. Block Diagram of Reset Function





## 22.2 Registers to Check Reset Source

The V850ES/SG1 has three kinds of reset sources. After a reset has been released, the source of the reset that occurred can be checked with the reset source flag register (RESF).

### (1) Reset source flag register (RESF)

The RESF register is a special register that can be written only by a combination of specific sequences (see **3.4.8 Special registers**).

The RESF register indicates the source from which a reset signal is generated.

This register is read or written in 8-bit or 1-bit units.

$\overline{\text{RESET}}$  pin sets this register to 00H. The default value differs if the source of reset is other than the  $\overline{\text{RESET}}$  pin signal.

After reset: 00H<sup>Note</sup> R/W Address: FFFFF888H

|      |   |   |   |        |   |   |       |   |
|------|---|---|---|--------|---|---|-------|---|
|      | 7 | 6 | 5 | 4      | 3 | 2 | 1     | 0 |
| RESF | 0 | 0 | 0 | WDT2RF | 0 | 0 | CLMRF | 0 |

|        |                        |
|--------|------------------------|
| WDT2RF | Reset signal from WDT2 |
| 0      | Not generated          |
| 1      | Generated              |

|       |                       |
|-------|-----------------------|
| CLMRF | Reset signal from CLM |
| 0     | Not generated         |
| 1     | Generated             |

**Note** The value of the RESF register is cleared to 00H when a reset is executed via the  $\overline{\text{RESET}}$  pin. When a reset is executed by the watchdog timer 2 (WDT2) or clock monitor (CLM), the reset flags of this register (WDT2RF bit and CLMRF bit) are set. However, other sources are retained.

**Caution** Only “0” can be written to each bit of this register. If writing “0” conflicts with setting the flag (occurrence of reset), setting the flag takes precedence.

## 22.3 Operation

### 22.3.1 Reset operation via $\overline{\text{RESET}}$ pin

When a low level is input to the  $\overline{\text{RESET}}$  pin, the system is reset, and each hardware unit is initialized.

When the level of the  $\overline{\text{RESET}}$  pin is changed from low to high, the reset status is released.

**Table 22-1. Hardware Status on  $\overline{\text{RESET}}$  Pin Input**

| Item                                                                     | During Reset                                                                                                                                     | After Reset                                                                                        |
|--------------------------------------------------------------------------|--------------------------------------------------------------------------------------------------------------------------------------------------|----------------------------------------------------------------------------------------------------|
| Main clock oscillator (f <sub>x</sub> )                                  | Oscillation stops                                                                                                                                | Oscillation starts                                                                                 |
| Subclock oscillator (f <sub>xT</sub> )                                   | Oscillation continues                                                                                                                            |                                                                                                    |
| Internal oscillator                                                      | Oscillation stops                                                                                                                                | Oscillation starts                                                                                 |
| Peripheral clock (f <sub>xx</sub> /1,024)                                | Operation stops                                                                                                                                  | Operation starts after securing oscillation stabilization time                                     |
| Internal system clock (f <sub>CLK</sub> ), CPU clock (f <sub>CPU</sub> ) | Operation stops                                                                                                                                  | Operation starts after securing oscillation stabilization time (initialized to f <sub>xx</sub> /8) |
| CPU                                                                      | Initialized                                                                                                                                      | Program execution starts after securing oscillation stabilization time                             |
| Watchdog timer 2                                                         | Operation stops (initialized to 0)                                                                                                               | Counts up from 0 with internal oscillation clock as source clock.                                  |
| Internal RAM                                                             | Undefined if power-on reset or CPU access and reset input conflict (data is damaged). Otherwise value immediately after reset input is retained. |                                                                                                    |
| I/O lines (ports/alternate-function pins)                                | High impedance <sup>Note 1</sup>                                                                                                                 |                                                                                                    |
| On-chip peripheral I/O registers                                         | Initialized to specified status, OCDM register is set (01H).                                                                                     |                                                                                                    |
| Other on-chip peripheral functions                                       | Operation stops                                                                                                                                  | Operation can be started after securing oscillation stabilization time                             |

<R> **Notes 1.** The following pins may momentarily output an undefined level upon power application.

<R>           • P10/ANO0<sup>Note 2</sup> pin

<R>           • P11/ANO1<sup>Note 2</sup> pin

              • P53/KR3 pin

<R>           **2.**  $\mu$ PD703253Y only

**Caution** The OCDM register is initialized by the  $\overline{\text{RESET}}$  pin input. Therefore, if a high level is input to the P05/INTP2 pin after a reset release before the OCDM.OCDM0 bit is cleared, the pull-down resistor connected to the P05/INTP2 pin is controlled. For details, see CHAPTER 4 PORT FUNCTIONS.

Figure 22-2. Timing of Reset Operation by  $\overline{\text{RESET}}$  Pin Input

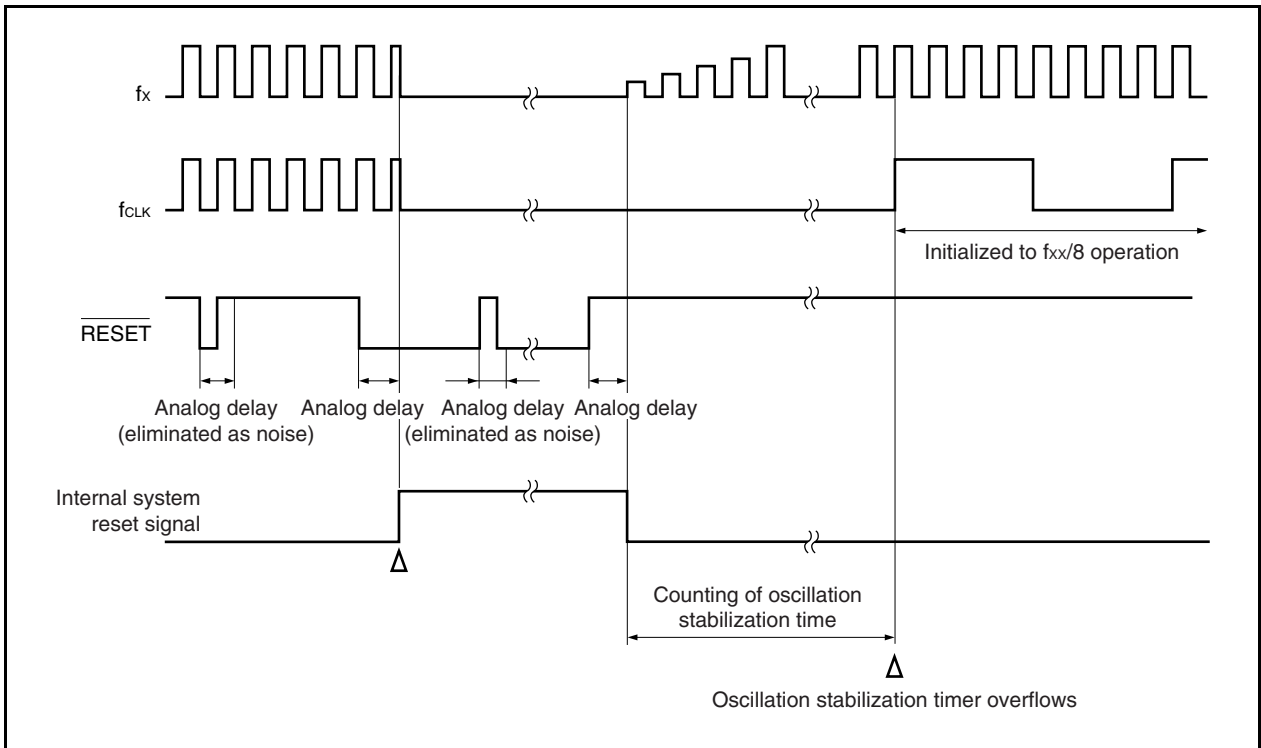
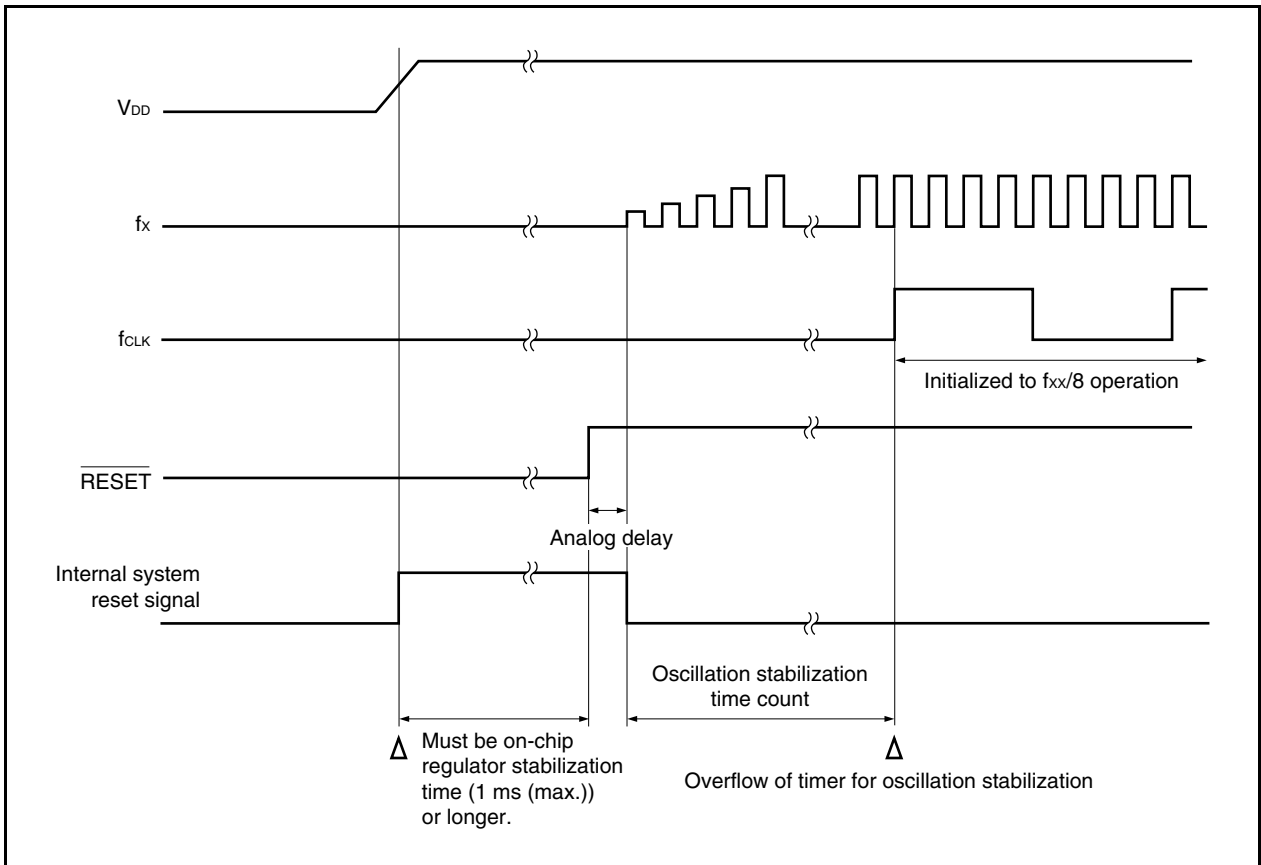


Figure 22-3. Timing of Power-on Reset Operation



### 22.3.2 Reset operation by watchdog timer 2 (WDT2RES)

When watchdog timer 2 is set to the reset operation mode due to overflow, upon watchdog timer 2 overflow (WDT2RES signal generation), a system reset is executed and the hardware is initialized to the initial status.

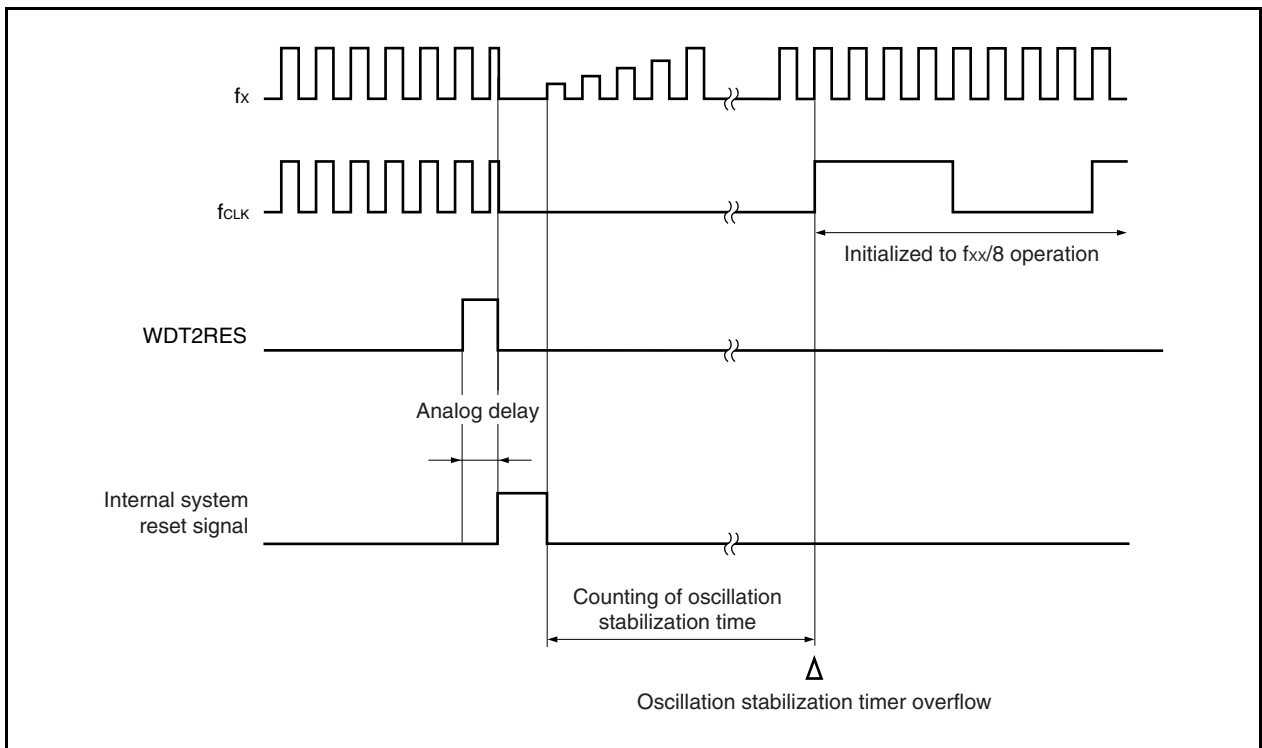
Following watchdog timer 2 overflow, the reset status is entered and lasts the predetermined time (analog delay), and the reset status is then automatically released.

The main clock oscillator is stopped during the reset period.

**Table 22-2. Hardware Status During Watchdog Timer 2 Reset Operation**

| Item                                                         | During Reset                                                                                                                                     | After Reset                                                                                 |
|--------------------------------------------------------------|--------------------------------------------------------------------------------------------------------------------------------------------------|---------------------------------------------------------------------------------------------|
| Main clock oscillator ( $f_x$ )                              | Oscillation stops                                                                                                                                | Oscillation starts                                                                          |
| Subclock oscillator ( $f_{XT}$ )                             | Oscillation continues                                                                                                                            |                                                                                             |
| Internal oscillator                                          | Oscillation stops                                                                                                                                | Oscillation starts                                                                          |
| Peripheral clock ( $f_{xx}$ to $f_{xx}/1,024$ )              | Operation stops                                                                                                                                  | Operation starts after securing oscillation stabilization time                              |
| Internal system clock ( $f_{CLK}$ ), CPU clock ( $f_{CPU}$ ) | Operation stops                                                                                                                                  | Operation starts after securing oscillation stabilization time (initialized to $f_{xx}/8$ ) |
| CPU                                                          | Initialized                                                                                                                                      | Program execution after securing oscillation stabilization time                             |
| Watchdog timer 2                                             | Operation stops (initialized to 0)                                                                                                               | Counts up from 0 with internal oscillation clock as source clock.                           |
| Internal RAM                                                 | Undefined if power-on reset or CPU access and reset input conflict (data is damaged). Otherwise value immediately after reset input is retained. |                                                                                             |
| I/O lines (ports/alternate-function pins)                    | High impedance                                                                                                                                   |                                                                                             |
| On-chip peripheral I/O register                              | Initialized to specified status, OCDM register retains its value.                                                                                |                                                                                             |
| On-chip peripheral functions other than above                | Operation stops                                                                                                                                  | Operation can be started after securing oscillation stabilization time.                     |

Figure 22-4. Timing of Reset Operation by WDT2RES Signal Generation



**<R> 22.3.3 Reset operation by clock monitor (CLMRES)**

When the clock monitor operation is enabled, the main clock is monitored by using the sampling clock (internally oscillated clock:  $f_R$ ). If it is detected that the main clock is stopped, the system is reset and each hardware unit is initialized to a specific status.

After it has been detected that the main clock is stopped, the CPU is placed in the reset status for a specific time (of analog delay), and then it is automatically released from the reset status. After the reset status has been released, the timer for oscillation stabilization does not perform its counting operation, because the main clock is stopped. When watchdog timer 2 that is started by default overflows, the CPU starts program execution on an internally oscillated clock ( $f_R$ ).

The status of each hardware unit during the reset period executed by the reset signal (CLMRES) of the clock monitor operation and after the reset status is released is shown below.

For the reset timing by the clock monitor operation, refer to **Figure 22-5**.

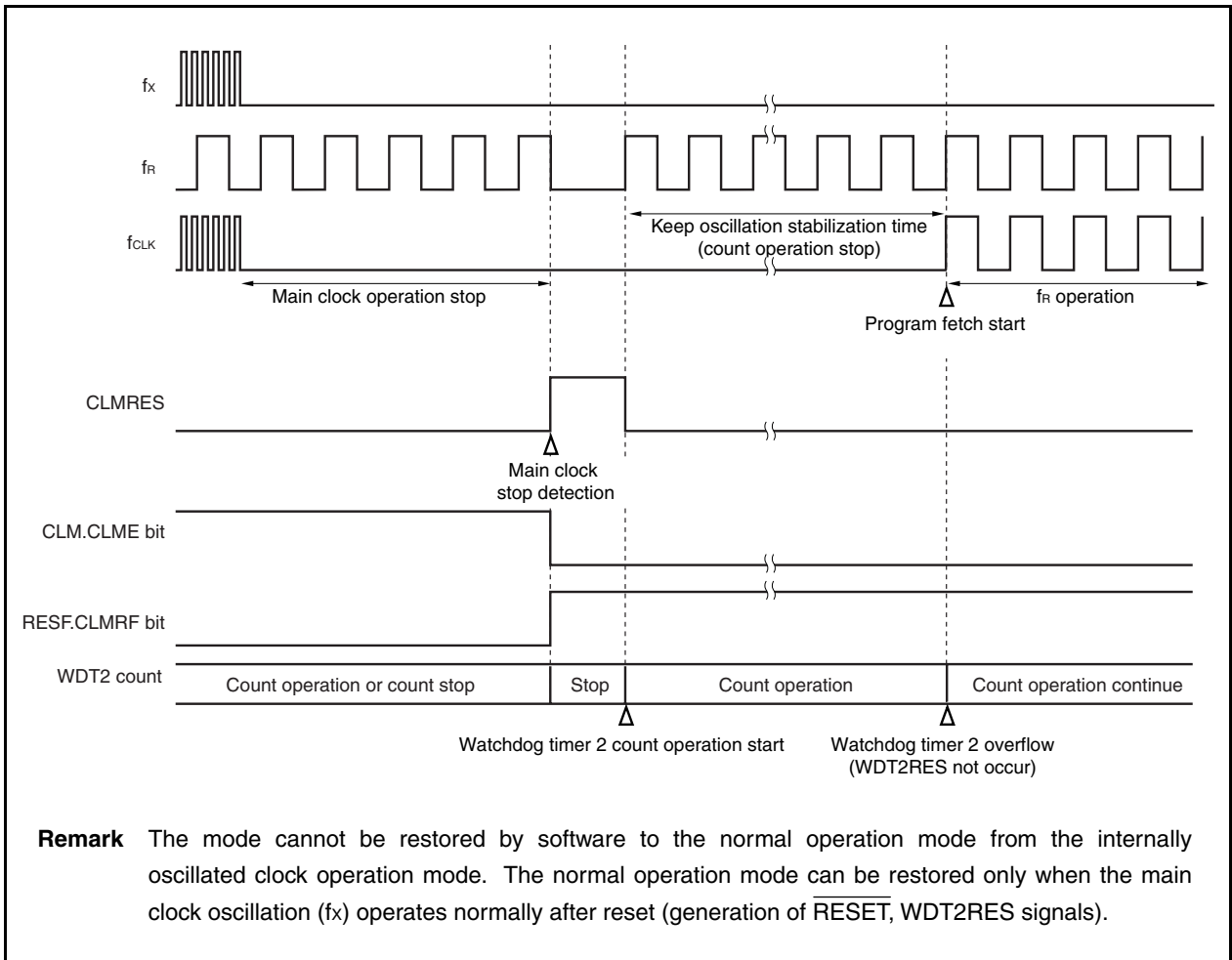
**Table 22-3. Hardware Status During Reset Operation by Clock Monitor**

| Item                                                            | During Reset                                                      | After Reset                                                                                                                                                                                                                   |
|-----------------------------------------------------------------|-------------------------------------------------------------------|-------------------------------------------------------------------------------------------------------------------------------------------------------------------------------------------------------------------------------|
| Main clock oscillator ( $f_x$ )                                 | Oscillation stops                                                 | Oscillation starts <sup>Note</sup>                                                                                                                                                                                            |
| Subclock oscillator ( $f_{XT}$ )                                | Oscillation continues                                             |                                                                                                                                                                                                                               |
| Internal oscillator                                             | Oscillation stops                                                 | Oscillation starts                                                                                                                                                                                                            |
| Peripheral clock ( $f_{xx}$ to $f_{xx}/1,024$ )                 | Operation stops                                                   | Operation starts after securing oscillation stabilization time <sup>Note</sup> .                                                                                                                                              |
| Internal system clock ( $f_{CLK}$ ),<br>CPU clock ( $f_{CPU}$ ) | Operation stops                                                   | Operation starts after securing oscillation stabilization time (initialized to $f_{xx}/8$ ). However, if watchdog timer 2 overflows before the CPU execution, operation starts with the internal oscillation clock ( $f_R$ ). |
| CPU                                                             | Initialized                                                       | Program execution starts after securing oscillation stabilization time. However, if watchdog timer 2 overflows before the CPU execution, operation starts with the internal oscillation clock ( $f_R$ ).                      |
| WDT2                                                            | Operation stops (initialized to 0)                                | Operation starts. WDT2RES is not generated, however, if only watchdog timer 2 overflows before CPU execution.                                                                                                                 |
| Internal RAM                                                    | Undefined                                                         |                                                                                                                                                                                                                               |
| I/O lines (ports/alternate-function pins)                       | High impedance                                                    |                                                                                                                                                                                                                               |
| On-chip peripheral I/O register                                 | Initialized to specified status, OCDM register retains its value. |                                                                                                                                                                                                                               |
| On-chip peripheral functions other than above                   | Operation stops                                                   | Operation can be started after securing oscillation stabilization time <sup>Note</sup> .                                                                                                                                      |

**Note** When the main clock starts oscillation after the reset operation by the clock monitor.

**Remark** For details of the clock monitor, refer to **CHAPTER 23 CLOCK MONITOR**.

Figure 22-5. Reset Timing by Clock Monitor

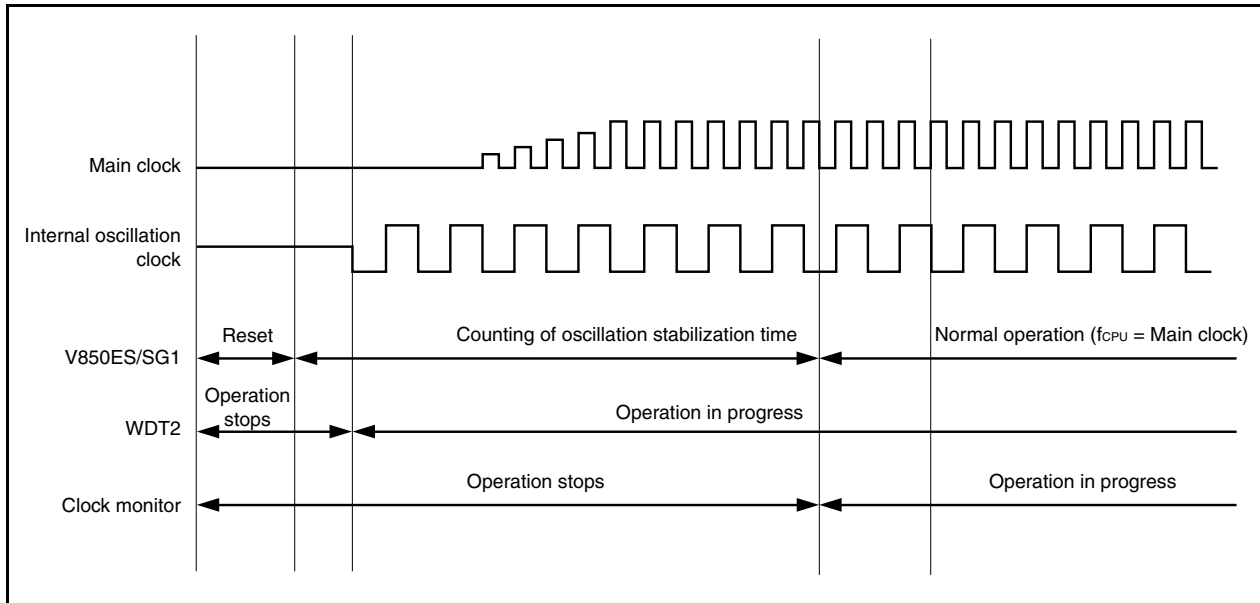


**22.3.4 Operation after reset release**

After the reset is released, the main clock starts oscillation and oscillation stabilization time (OSTS register initial value:  $2^{16}/f_x$ ) is secured, and the CPU starts program execution.

WDT2 immediately begins to operate after a reset has been released using the internal oscillation clock as a source clock.

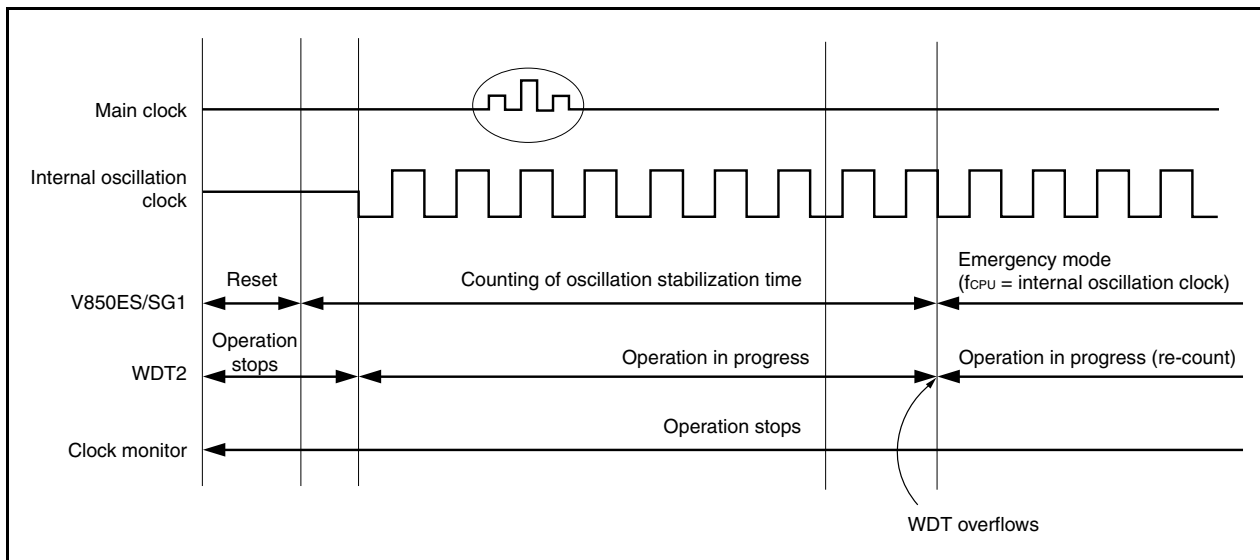
**Figure 22-6. Operation After Reset Release**



**(1) Emergent operation mode**

If an anomaly occurs in the main clock before oscillation stabilization time is secured, the WDT2 overflows before executing the CPU program. At this time, the CPU starts program execution by using the internal oscillation clock as the source clock.

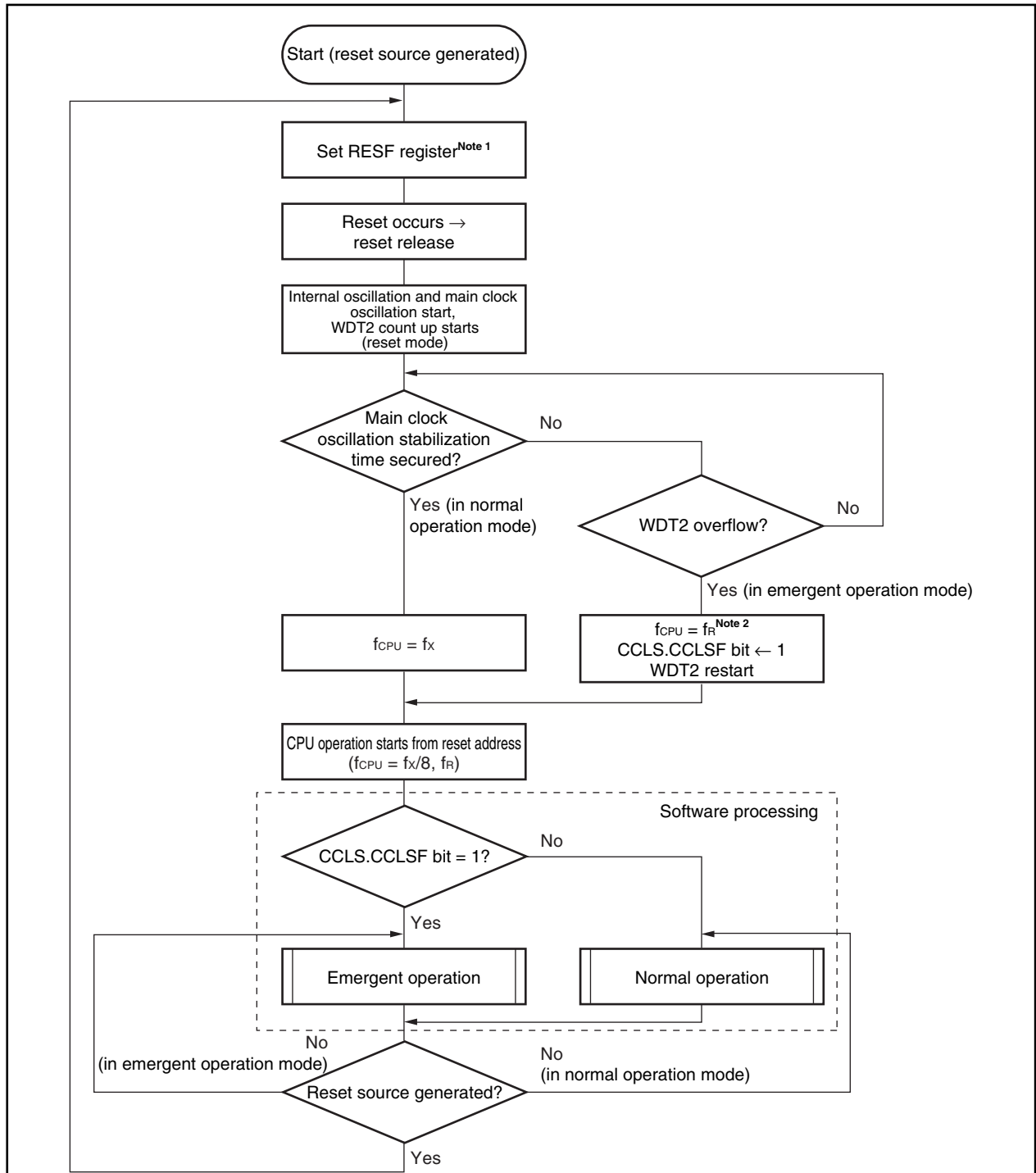
**Figure 22-7. Operation After Reset Release**



The CPU operation clock states can be checked with the CPU operation clock status register (CCLS).



22.3.5 Reset function operation flow



**Notes 1.** Bit to be set differs depending on the reset source.

| Reset Source                  | WDT2RF Bit                      | CRMRF Bit                       |
|-------------------------------|---------------------------------|---------------------------------|
| $\overline{\text{RESET}}$ pin | 0                               | 0                               |
| WDT2                          | 1                               | Value before reset is retained. |
| CLM                           | Value before reset is retained. | 1                               |

**2.** The internal oscillator cannot be stopped.

## 22.4 Valid/Invalid of Internal RAM Data

<R> A function to indicate whether the internal RAM data is valid is provided only in the  $\mu$ PD703253Y.

### (1) Internal RAM data status register (RAMS)

The RAMS register is a special register. This can be written only in a special combination of sequences (see **3.4.8 Special registers**).

This register is a flag register that indicates whether the internal RAM is valid or not.

This register can be read or written in 8-bit or 1-bit units.

The set/clear conditions for the RAMF bit are shown below.

- Setting conditions:
  - Detection of voltage lower than specified level
  - Set by instruction
  - Generation of reset signal by WDT2 or CLM
  - Generation of reset signal via the  $\overline{\text{RESET}}$  pin while internal RAM is being accessed.
- Clearing condition: Writing of 0 in specific sequence

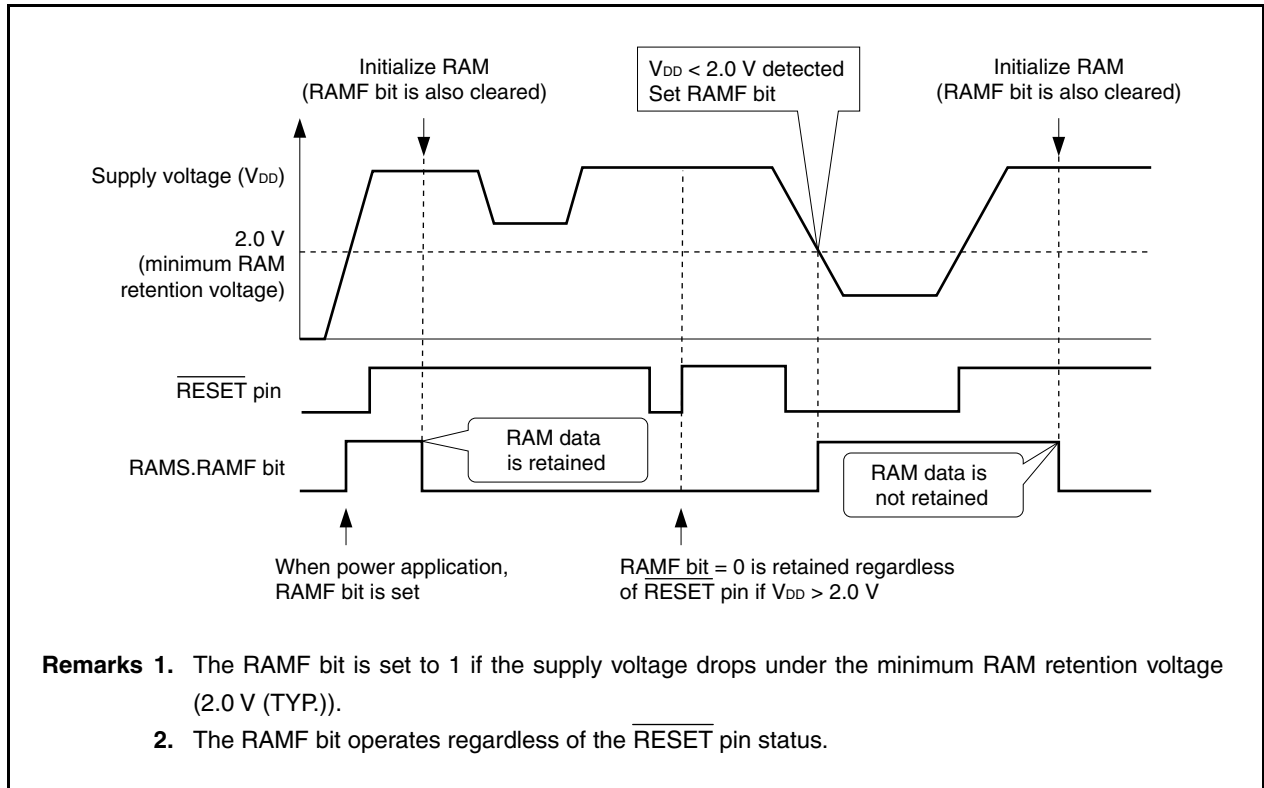
|                                  |     |                                 |         |   |   |   |   |   |      |
|----------------------------------|-----|---------------------------------|---------|---|---|---|---|---|------|
| After reset: 01H <sup>Note</sup> | R/W | Address: FFFFF892H              |         |   |   |   |   |   |      |
|                                  |     | 7                               | 6       | 5 | 4 | 3 | 2 | 1 | <0>  |
| RAMS                             |     | 0                               | 0       | 0 | 0 | 0 | 0 | 0 | RAMF |
|                                  |     | Internal RAM data valid/invalid |         |   |   |   |   |   |      |
|                                  |     | 0                               | Valid   |   |   |   |   |   |      |
|                                  |     | 1                               | Invalid |   |   |   |   |   |      |

**Note** This register is set to 01H after reset by the  $\overline{\text{RESET}}$  pin input (only for RAM access), watchdog timer 2 overflow, or clock monitor. After reset by other sources, the register value at that time will be retained.

### 22.4.1 RAM retention voltage detection operation

The supply voltage and detected voltage are compared. When the supply voltage drops below the detected voltage (including on power application), the RAMS.RAMF bit is set to 1.

Figure 22-8. Operation Timing of RAM Retention Voltage Detection Function



### 22.4.2 Emulation function

When an in-circuit emulator is used, the operation of the RAM retention flag (RAMS.RAMF bit) can be pseudo-controlled and emulated by manipulating the PEMU1 register on the debugger.

This register is valid only in the emulation mode. It is invalid in the normal mode.

#### (1) Peripheral emulation register 1 (PEMU1)

|                  |          |                                                                  |   |   |   |   |          |   |   |
|------------------|----------|------------------------------------------------------------------|---|---|---|---|----------|---|---|
| After reset: 00H | R/W      | Address: FFFFF9FEH                                               |   |   |   |   |          |   |   |
|                  |          | 7                                                                | 6 | 5 | 4 | 3 | 2        | 1 | 0 |
| PEMU1            |          | 0                                                                | 0 | 0 | 0 | 0 | EVARAMIN | 0 | 0 |
|                  | EVARAMIN | Pseudo specification of RAM retention voltage detection signal   |   |   |   |   |          |   |   |
|                  | 0        | Do not detect voltage lower than RAM retention voltage.          |   |   |   |   |          |   |   |
|                  | 1        | Detect voltage lower than RAM retention voltage (set RAMF flag). |   |   |   |   |          |   |   |

**Caution** This bit is not automatically cleared.

#### [Usage]

When an in-circuit emulator is used, pseudo emulation of RAMF is implemented by rewriting this register on the debugger.

- <1> CPU break (CPU operation stops.)
- <2> Set the EVARAMIN bit to 1 by using a register write command.  
By setting the EVARAMIN bit to 1, the RAMF bit is set to 1 on hardware (the internal RAM data is invalid).
- <3> Clear the EVARAMIN bit to 0 by using a register write command again.  
Unless this operation is performed (clearing the EVARAMIN bit to 0), the RAMF bit cannot be cleared to 0 by a CPU operation instruction.
- <4> Run the CPU and resume emulation.

## CHAPTER 23 CLOCK MONITOR

### 23.1 Functions

The clock monitor samples the main clock by using the internal oscillation clock and generates a reset request signal (CLMRES) when oscillation of the main clock is stopped.

Once the operation of the clock monitor has been enabled by an operation enable flag, it cannot be cleared to 0 by any means other than reset.

When a reset by the clock monitor (CLMRES) occurs, the RESF.CLMRF bit is set. For details on the RESF register, see **22.2 Registers to Check Reset Source**.

The clock monitor automatically stops under the following conditions.

- During oscillation stabilization time after STOP mode is released
- When the main clock is stopped (from when the PCC.MCK bit = 1 during subclock operation, until the PCC.CLS bit = 0 during main clock operation)
- When the sampling clock (internal oscillation clock) is stopped
- When the CPU operates with the internal oscillation clock

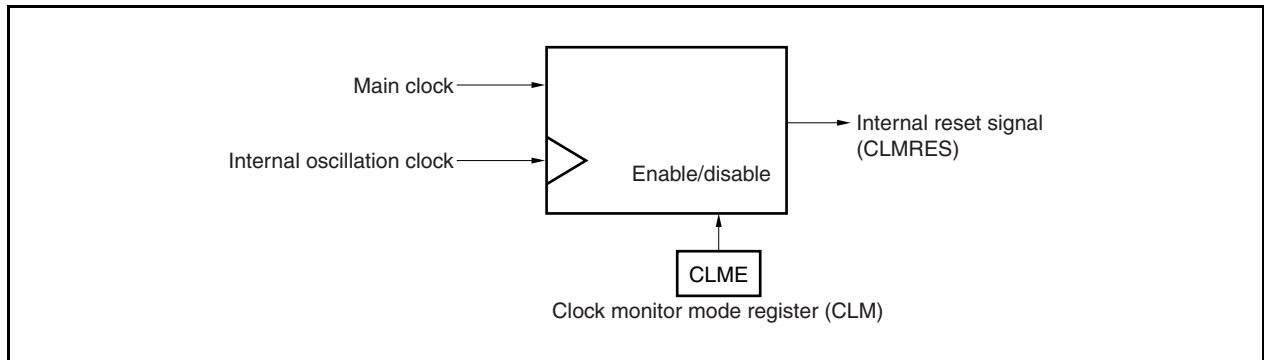
### 23.2 Configuration

The clock monitor includes the following hardware.

**Table 23-1. Configuration of Clock Monitor**

| Item             | Configuration                     |
|------------------|-----------------------------------|
| Control register | Clock monitor mode register (CLM) |

**Figure 23-1. Timing of Reset via Clock Monitor**



### 23.3 Register

The clock monitor is controlled by the clock monitor mode register (CLM).

#### (1) Clock monitor mode register (CLM)

The CLM register is a special register. This can be written only in a special combination of sequences (see **3.4.8 Special registers**).

This register is used to set the operation mode of the clock monitor.

This register can be read or written in 8-bit or 1-bit units.

Reset sets this register to 00H.

|                  |                                           |     |                    |   |   |   |   |      |
|------------------|-------------------------------------------|-----|--------------------|---|---|---|---|------|
| After reset: 00H |                                           | R/W | Address: FFFFF870H |   |   |   |   |      |
|                  | 7                                         | 6   | 5                  | 4 | 3 | 2 | 1 | <0>  |
| CLM              | 0                                         | 0   | 0                  | 0 | 0 | 0 | 0 | CLME |
| CLME             | Clock monitor operation enable or disable |     |                    |   |   |   |   |      |
| 0                | Disable clock monitor operation.          |     |                    |   |   |   |   |      |
| 1                | Enable clock monitor operation.           |     |                    |   |   |   |   |      |

- Cautions**
1. Once the CLME bit has been set to 1, it cannot be cleared to 0 by any means other than reset.
  2. When a reset by the clock monitor occurs, the CLME bit is cleared to 0 and the RESF.CLMRF bit is set to 1.

## 23.4 Operation

This section explains the functions of the clock monitor. The start and stop conditions are as follows.

### <Start condition>

Enabling operation by setting the CLM.CLME bit to 1

### <Stop conditions>

- While oscillation stabilization time is being counted after STOP mode is released
- When the main clock is stopped (from when PCC.MCK bit = 1 during subclock operation to when PCC.CLS bit = 0 during main clock operation)
- When the sampling clock (internal oscillation clock) is stopped
- When the CPU operates with the internal oscillation clock

**Table 23-2. Operation Status of Clock Monitor  
(When CLM.CLME Bit = 1, During Internal Oscillation Clock Operation)**

| CPU Operating Clock                        | Operation Mode     | Status of Main Clock | Status of Internal Oscillation Clock | Status of Clock Monitor    |
|--------------------------------------------|--------------------|----------------------|--------------------------------------|----------------------------|
| Main clock                                 | HALT mode          | Oscillates           | Oscillates <sup>Note 1</sup>         | Operates <sup>Note 2</sup> |
|                                            | IDLE1, IDLE2 modes | Oscillates           | Oscillates <sup>Note 1</sup>         | Operates <sup>Note 2</sup> |
|                                            | STOP mode          | Stops                | Oscillates <sup>Note 1</sup>         | Stops                      |
| <R> Subclock (MCK bit of PCC register = 0) | Sub-IDLE mode      | Oscillates           | Oscillates <sup>Note 1</sup>         | Operates <sup>Note 2</sup> |
| <R> Subclock (MCK bit of PCC register = 1) | Sub-IDLE mode      | Stops                | Oscillates <sup>Note 1</sup>         | Stops                      |
| Internal oscillation clock                 | –                  | Stops                | Oscillates <sup>Note 3</sup>         | Stops                      |
| During reset                               | –                  | Stops                | Stops                                | Stops                      |

**Notes 1.** Internal oscillator can be stopped by setting the RCM.RSTOP bit to 1.

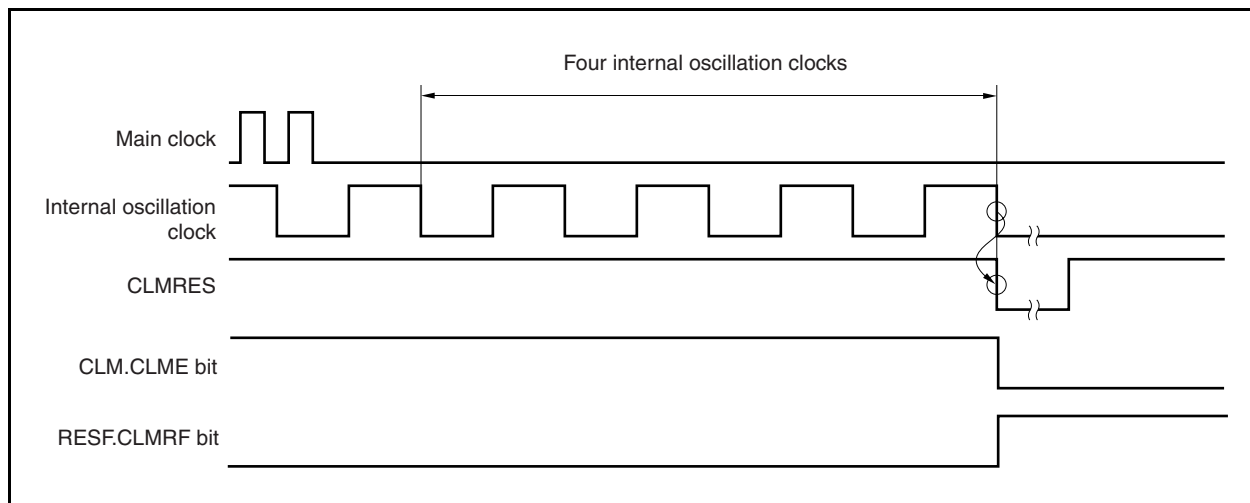
**2.** The clock monitor is stopped while internal oscillator is stopped.

**3.** Internal oscillator cannot be stopped by software.

**(1) Operation when main clock oscillation is stopped (CLME bit = 1)**

If oscillation of the main clock is stopped when the CLME bit = 1, an internal reset signal (CLMRES) is generated as shown in Figure 23-2.

**Figure 23-2. Reset Period Due to That Oscillation of Main Clock Is Stopped**

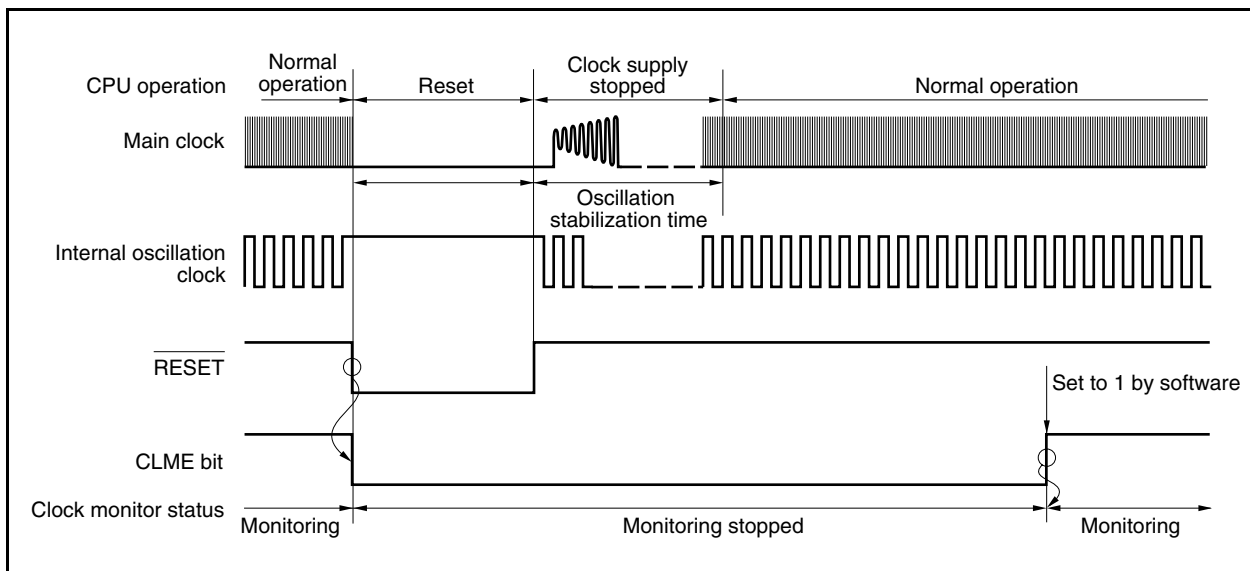


**(2) Clock monitor status after  $\overline{\text{RESET}}$  input**

$\overline{\text{RESET}}$  input clears the CLM.CLME bit to 0 and stops the clock monitor operation. When CLME bit is set to 1 by software at the end of the oscillation stabilization time of the main clock, monitoring is started.

**Figure 23-3. Clock Monitor Status After  $\overline{\text{RESET}}$  Input**

**(CLM.CLME bit = 1 is set after  $\overline{\text{RESET}}$  input and at the end of main clock oscillation stabilization time)**

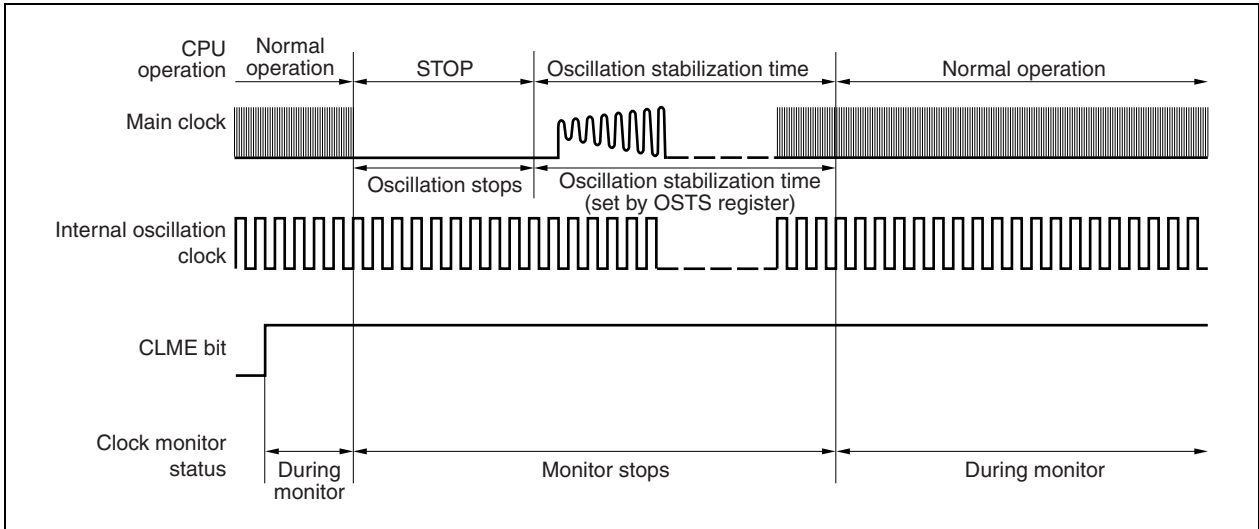




**(3) Operation in STOP mode or after STOP mode is released**

If the STOP mode is set with the CLM.CLME bit = 1, the monitor operation is stopped in the STOP mode and while the oscillation stabilization time is being counted. After the oscillation stabilization time, the monitor operation is automatically started.

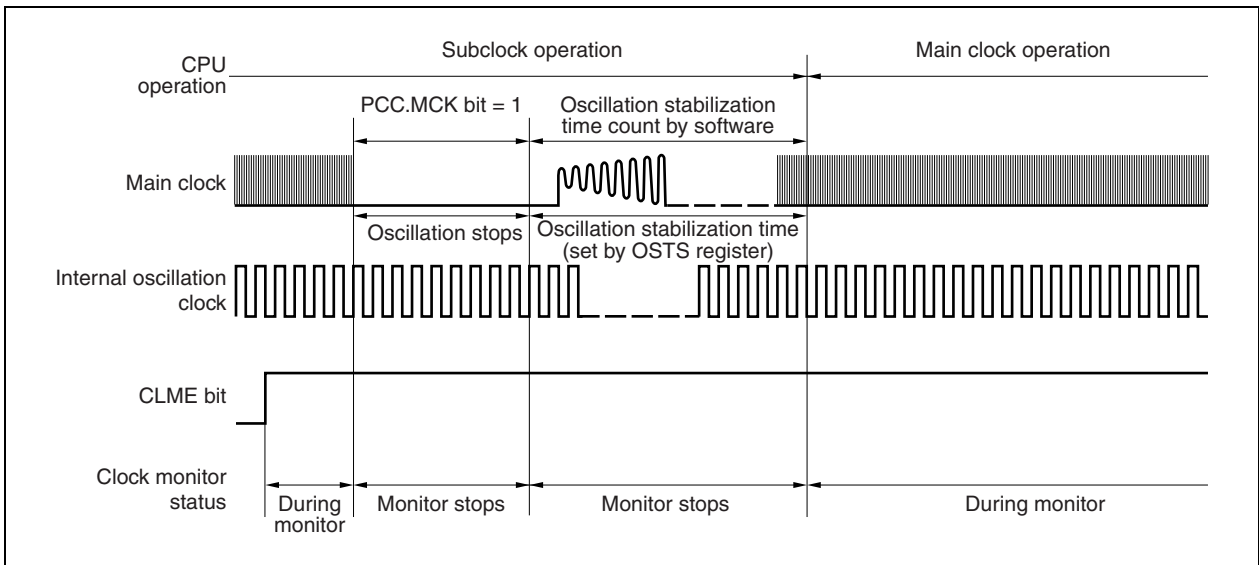
**Figure 23-4. Operation in STOP Mode or After STOP Mode Is Released**



**(4) Operation when main clock is stopped (arbitrary)**

During subclock operation (PCC.CLS bit = 1) or when the main clock is stopped by setting the PCC.MCK bit to 1, the monitor operation is stopped until the main clock operation is started (PCC.CLS bit = 0). The monitor operation is automatically started when the main clock operation is started.

**Figure 23-5. Operation When Main Clock Is Stopped (Arbitrary)**



**(5) Operation while CPU is operating on internal oscillation clock (CCLS.CCLS bit = 1)**

The monitor operation is not stopped when the CCLS bit is 1, even if the CLME bit is set to 1.

## CHAPTER 24 REGULATOR

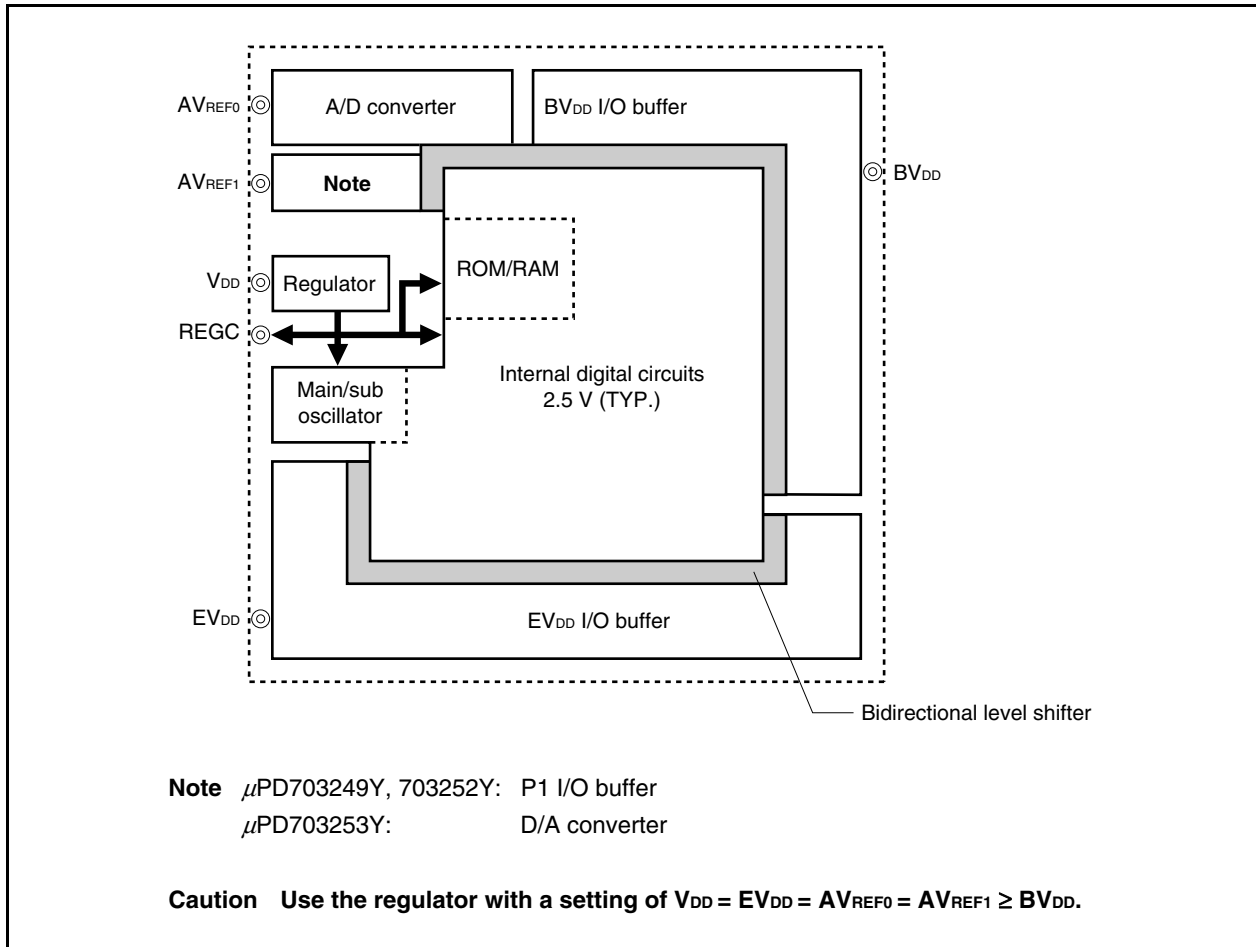
### 24.1 Outline

The V850ES/SG1 includes a regulator to reduce power consumption and noise.

<R> This regulator supplies a stepped-down  $V_{DD}$  power supply voltage to the oscillator block and internal logic circuits (except the A/D converter, D/A converter ( $\mu$ PD703253Y only), and output buffers). The regulator output voltage is set to 2.5 V (TYP.).

<R>

**Figure 24-1. Regulator**



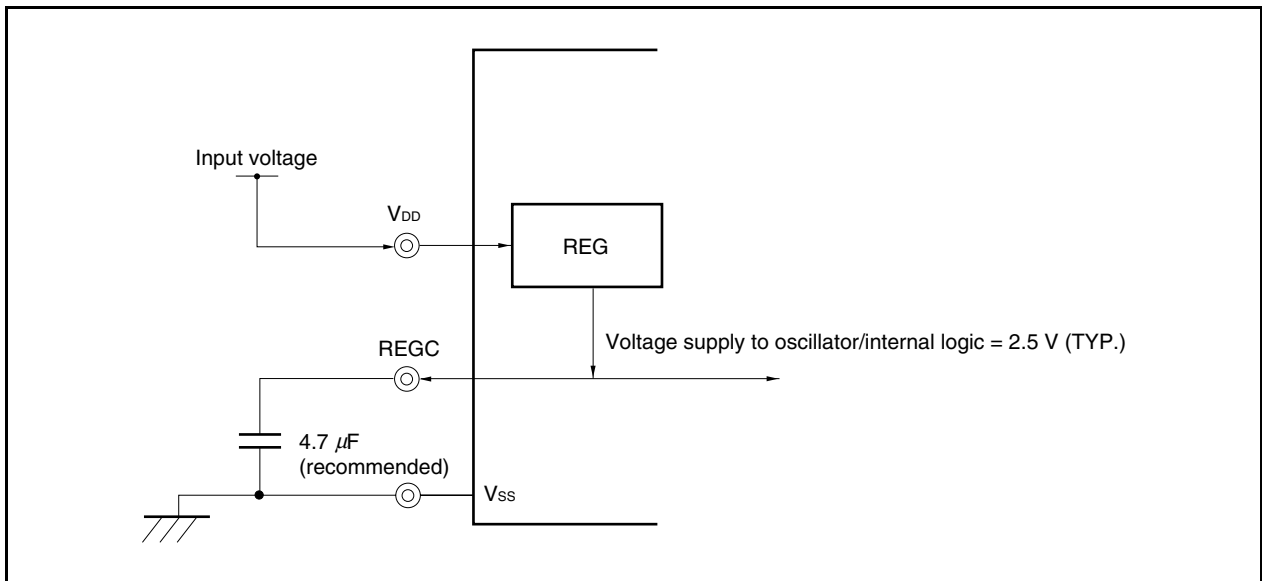
## 24.2 Operation

The regulator of this product always operates in any mode (normal operation mode, HALT mode, IDLE1 mode, IDLE2 mode, STOP mode, or during reset).

Be sure to connect a capacitor ( $4.7 \mu\text{F}$  (recommended value)) to the REGC pin to stabilize the regulator output.

A diagram of the regulator pin connection method is shown below.

**Figure 24-2. REGC Pin Connection**



## CHAPTER 25 ROM CORRECTION FUNCTION

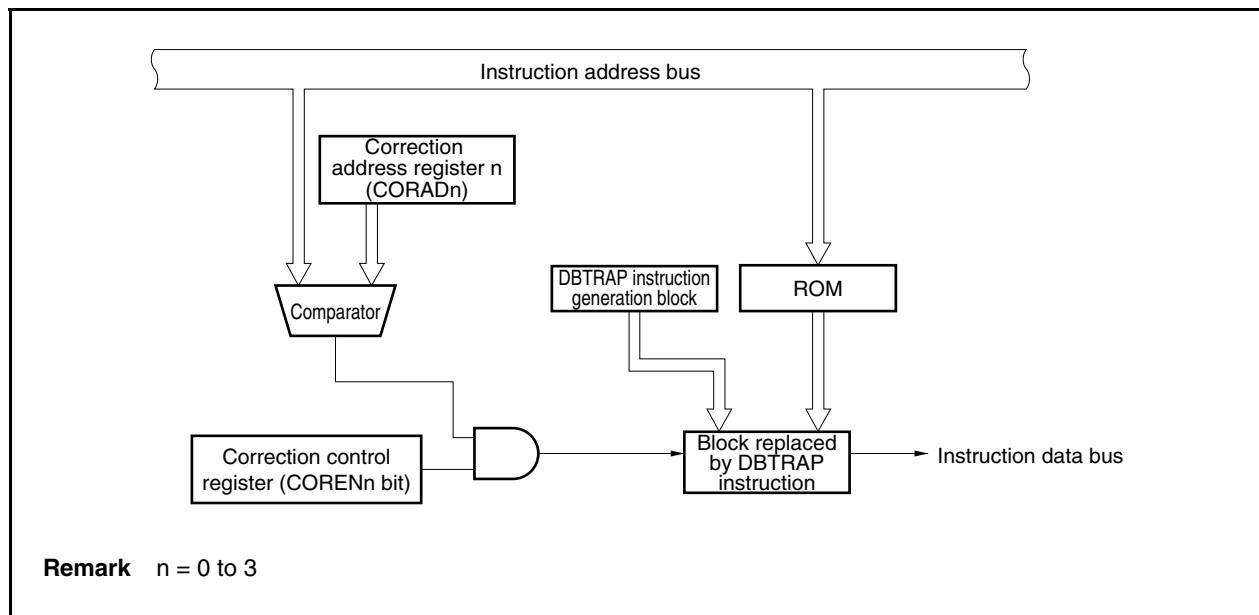
### 25.1 Overview

The ROM correction function is used to replace part of the program in the internal ROM with the program of an external memory or the internal RAM.

By using this function, program bugs found in the internal ROM can be corrected.

Up to four addresses can be specified for correction.

Figure 25-1. Block Diagram of ROM Correction



## 25.2 Registers

### (1) Correction address registers 0 to 3 (CORAD0 to CORAD3)

The CORAD0 to CORAD3 registers set the first address of the program to be corrected in the ROM.

The program can be corrected at up to four places because four CORADn registers are provided (n = 0 to 3).

The CORADn register can be read or written in 32-bit units.

If the higher 16 bits of the CORADn register are used as the CORADnH register, and the lower 16 bits as the CORADnL register, these registers can be read or written in 16-bit units.

Reset input clears these registers to 00000000H.

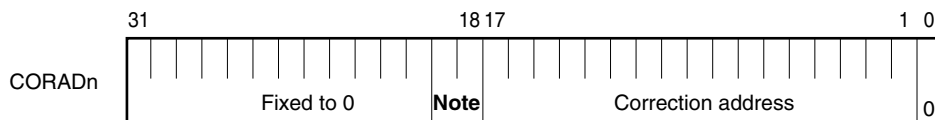
Because the ROM capacity differs from one product to another, set the correction addresses in the following ranges.

- $\mu$ PD703249Y, 703252Y (256 KB): 0000000H to 003FFFFFH
- $\mu$ PD703253Y (128 KB): 0000000H to 001FFFFFH

<R>

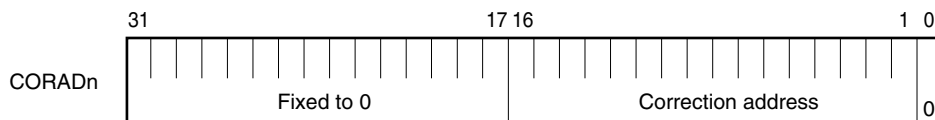
After reset: 00000000H    R/W    Address: CORAD0 FFFFF840H,  
 CORAD0L FFFFF840H, CORAD0H FFFFF842H,  
 CORAD1 FFFFF844H,  
 CORAD1L FFFFF844H, CORAD1H FFFFF846H,  
 CORAD2 FFFFF848H,  
 CORAD2L FFFFF848H, CORAD2H FFFFF84AH,  
 CORAD3 FFFFF84CH,  
 CORAD3L FFFFF84CH, CORAD3H FFFFF84EH

(a) 256 KB



(n = 0 to 3)

(b) 128 KB



(n = 0 to 3)

**Note** Cleared to 0.

<R>

**(2) Correction control register (CORCN)**

The CORCN register disables or enables the correction operation at the addresses set in the CORADn register (n = 0 to 3).

Each channel can be enabled or disabled by this register.

This register can be read or written in 8-bit or 1-bit units.

Reset sets this register to 00H.

|                  |        |                                       |                    |   |        |        |        |        |
|------------------|--------|---------------------------------------|--------------------|---|--------|--------|--------|--------|
| After reset: 00H |        | R/W                                   | Address: FFFFF880H |   |        |        |        |        |
|                  | 7      | 6                                     | 5                  | 4 | 3      | 2      | 1      | 0      |
| CORCN            | 0      | 0                                     | 0                  | 0 | COREN3 | COREN2 | COREN1 | COREN0 |
|                  | CORENn | Enables/disables correction operation |                    |   |        |        |        |        |
|                  | 0      | Disabled                              |                    |   |        |        |        |        |
|                  | 1      | Enabled                               |                    |   |        |        |        |        |

**Remark** n = 0 to 3

**Table 25-1. Correspondence Between CORCN Register Bits and CORADn Registers**

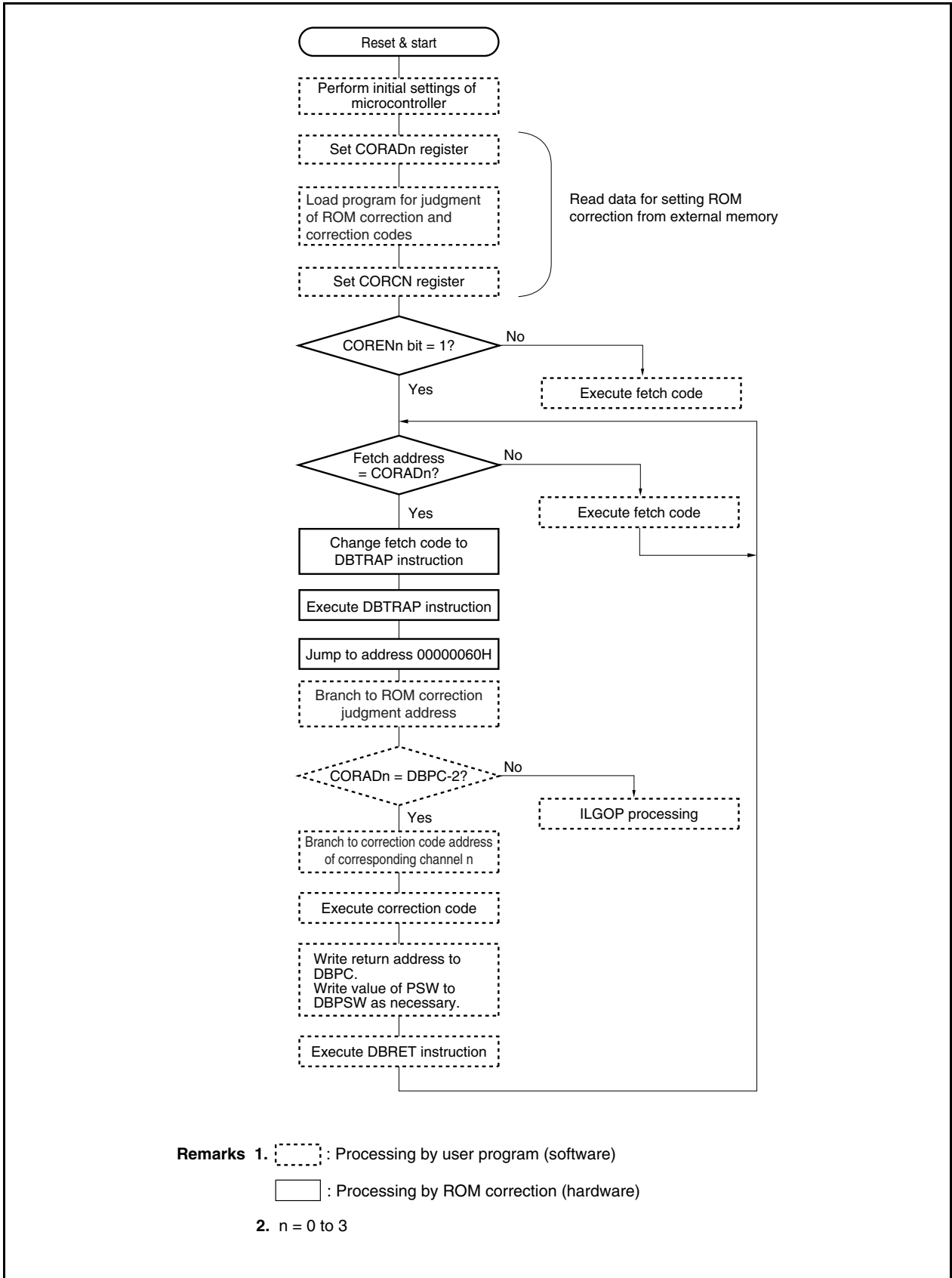
| CORCN Register Bit | Corresponding CORADn Register |
|--------------------|-------------------------------|
| COREN3             | CORAD3                        |
| COREN2             | CORAD2                        |
| COREN1             | CORAD1                        |
| COREN0             | CORAD0                        |

### 25.3 ROM Correction Operation and Program Flow

- <1> If the address to be corrected and the fetch address of the internal ROM match, the fetch code is replaced by the DBTRAP instruction.
- <2> When the DBTRAP instruction is executed, execution branches to address 00000060H.
- <3> Software processing after branching causes the result of ROM correction to be judged (the fetch address and ROM correction operation are confirmed) and execution to branch to the correction software.
- <4> After the correction software has been executed, the return address is set, and return processing is started by the DBRET instruction.

**Caution** The software that performs <3> and <4> must be executed in the internal ROM/RAM.

Figure 25-2. ROM Correction Operation and Program Flow



## 25.4 Cautions

- (1) When setting an address to be corrected in the CORADn register, clear the higher bits to 0 in accordance with the capacity of the internal ROM.
- (2) The ROM correction function cannot be used to correct data in the internal ROM. It can only be used to correct instruction codes. If ROM correction is used to correct data, that data is replaced with a DBTRAP instruction code.
- (3) ROM correction is not performed in regards to the ROM code before writing in the CORCNn register ends.
- (4) After executing a DBTRAP instruction, the PSW.NP, EP, and DI bits are set to 111, and interrupt/exception cannot be acknowledged. After executing a DBTRAP instruction, change the PSW register value as required.
- (5) The DBPC and DBPSW registers can be accessed while DBTRAP instructions are being executed.
- (6) If the addresses of the instructions executed immediately after the CORCNn register setting (enabled) are set as the correction addresses, normal operation may not be obtained (DBTRAP is not generated).



## CHAPTER 26 ELECTRICAL SPECIFICATIONS

### 26.1 Absolute Maximum Ratings

(T<sub>A</sub> = 25°C)

| Parameter            | Symbol             | Conditions                                                                   | Ratings                                                           | Unit |
|----------------------|--------------------|------------------------------------------------------------------------------|-------------------------------------------------------------------|------|
| Supply voltage       | V <sub>DD</sub>    | V <sub>DD</sub> = EV <sub>DD</sub> = AV <sub>REF0</sub> = AV <sub>REF1</sub> | -0.5 to +4.6                                                      | V    |
|                      | BV <sub>DD</sub>   |                                                                              | -0.5 to +4.6                                                      | V    |
|                      | EV <sub>DD</sub>   | V <sub>DD</sub> = EV <sub>DD</sub> = AV <sub>REF0</sub> = AV <sub>REF1</sub> | -0.5 to +4.6                                                      | V    |
|                      | AV <sub>REF0</sub> | V <sub>DD</sub> = EV <sub>DD</sub> = AV <sub>REF0</sub> = AV <sub>REF1</sub> | -0.5 to +4.6                                                      | V    |
|                      | AV <sub>REF1</sub> | V <sub>DD</sub> = EV <sub>DD</sub> = AV <sub>REF0</sub> = AV <sub>REF1</sub> | -0.5 to +4.6                                                      | V    |
|                      | V <sub>SS</sub>    | V <sub>SS</sub> = EV <sub>SS</sub> = BV <sub>SS</sub> = AV <sub>SS</sub>     | -0.5 to +0.5                                                      | V    |
|                      | AV <sub>SS</sub>   | V <sub>SS</sub> = EV <sub>SS</sub> = BV <sub>SS</sub> = AV <sub>SS</sub>     | -0.5 to +0.5                                                      | V    |
|                      | BV <sub>SS</sub>   | V <sub>SS</sub> = EV <sub>SS</sub> = BV <sub>SS</sub> = AV <sub>SS</sub>     | -0.5 to +0.5                                                      | V    |
|                      | EV <sub>SS</sub>   | V <sub>SS</sub> = EV <sub>SS</sub> = BV <sub>SS</sub> = AV <sub>SS</sub>     | -0.5 to +0.5                                                      | V    |
| Input voltage        | V <sub>I1</sub>    | $\overline{\text{RESET}}$ , PDH4, PDH5                                       | -0.5 to EV <sub>DD</sub> + 0.5 <sup>Note 1</sup>                  | V    |
|                      | V <sub>I2</sub>    | PCM0 to PCM3, PCT0, PCT1, PCT4, PCT6, PDH0 to PDH3, PDL0 to PDL15            | -0.5 to BV <sub>DD</sub> + 0.5 <sup>Note 1</sup>                  | V    |
|                      | V <sub>I3</sub>    | P10, P11                                                                     | -0.5 to AV <sub>REF1</sub> + 0.5 <sup>Note 1</sup>                | V    |
|                      | V <sub>I4</sub>    | X1, X2, XT1, XT2                                                             | -0.5 to V <sub>RO</sub> <sup>Note 2</sup> + 0.5 <sup>Note 1</sup> | V    |
|                      | V <sub>I5</sub>    | P02 to P06, P30 to P39, P40 to P42, P50 to P55, P90 to P915                  | -0.5 to +6.0                                                      | V    |
| Analog input voltage | V <sub>IAN</sub>   | P70 to P711                                                                  | -0.5 to AV <sub>REF0</sub> + 0.5 <sup>Note 1</sup>                | V    |

- Notes**
1. Be sure not to exceed the absolute maximum ratings (MAX. value) of each supply voltage.
  2. On-chip regulator output voltage (2.5 V (TYP.))

(T<sub>A</sub> = 25°C)

| Parameter                     | Symbol            | Conditions                                                              | Ratings           | Unit                                                                    |                   |     |    |
|-------------------------------|-------------------|-------------------------------------------------------------------------|-------------------|-------------------------------------------------------------------------|-------------------|-----|----|
| Output current, low           | I <sub>OL</sub>   | P02 to P06, P30 to P39, P40 to P42, P50 to P55, P90 to P915, PDH4, PDH5 | Per pin           | 4                                                                       | mA                |     |    |
|                               |                   |                                                                         | Total of all pins | 50                                                                      | mA                |     |    |
|                               |                   | PCM0 to PCM3, PCT0, PCT1, PCT4, PCT6, PDH0 to PDH3, PDL0 to PDL15       | Per pin           | 4                                                                       | mA                |     |    |
|                               |                   |                                                                         | Total of all pins | 50                                                                      | mA                |     |    |
|                               |                   | P10, P11                                                                | Per pin           | 4                                                                       | mA                |     |    |
|                               |                   |                                                                         | Total of all pins | 8                                                                       | mA                |     |    |
|                               |                   | P70 to P711                                                             | Per pin           | 4                                                                       | mA                |     |    |
|                               |                   |                                                                         | Total of all pins | 20                                                                      | mA                |     |    |
|                               |                   | Output current, high                                                    | I <sub>OH</sub>   | P02 to P06, P30 to P39, P40 to P42, P50 to P55, P90 to P915, PDH4, PDH5 | Per pin           | -4  | mA |
|                               |                   |                                                                         |                   |                                                                         | Total of all pins | -50 | mA |
|                               |                   |                                                                         |                   | PCM0 to PCM3, PCT0, PCT1, PCT4, PCT6, PDH0 to PDH3, PDL0 to PDL15       | Per pin           | -4  | mA |
|                               |                   |                                                                         |                   |                                                                         | Total of all pins | -50 | mA |
| P10, P11                      | Per pin           |                                                                         |                   | -4                                                                      | mA                |     |    |
|                               | Total of all pins |                                                                         |                   | -8                                                                      | mA                |     |    |
| P70 to P711                   | Per pin           |                                                                         |                   | -4                                                                      | mA                |     |    |
|                               | Total of all pins |                                                                         |                   | -20                                                                     | mA                |     |    |
| Operating ambient temperature | T <sub>A</sub>    |                                                                         |                   |                                                                         | -40 to +85        | °C  |    |
| Storage temperature           | T <sub>stg</sub>  |                                                                         |                   |                                                                         | -65 to +150       | °C  |    |

**Cautions 1.** Do not directly connect the output (or I/O) pins of IC products to each other, or to V<sub>DD</sub>, V<sub>CC</sub>, and GND. Open-drain pins or open-collector pins, however, can be directly connected to each other.

Direct connection of the output pins between an IC product and an external circuit is possible, if the output pins can be set to the high-impedance state and the output timing of the external circuit is designed to avoid output conflict.

**2.** Product quality may suffer if the absolute maximum rating is exceeded even momentarily for any parameter. That is, the absolute maximum ratings are rated values at which the product is on the verge of suffering physical damage, and therefore the product must be used under conditions that ensure that the absolute maximum ratings are not exceeded. The ratings and conditions indicated for DC characteristics and AC characteristics represent the quality assurance range during normal operation.

**Remark** Unless specified otherwise, the characteristics of alternate-function pins are the same as those of port pins.

## 26.2 Capacitance

<R> (T<sub>A</sub> = 25°C, V<sub>DD</sub> = EV<sub>DD</sub> = BV<sub>DD</sub> = AV<sub>REF0</sub> = AV<sub>REF1</sub>, V<sub>SS</sub> = EV<sub>SS</sub> = BV<sub>SS</sub> = AV<sub>SS</sub> = 0 V)

| Parameter       | Symbol          | Conditions                                                | MIN. | TYP. | MAX. | Unit |
|-----------------|-----------------|-----------------------------------------------------------|------|------|------|------|
| I/O capacitance | C <sub>IO</sub> | f <sub>x</sub> = 1 MHz<br>Unmeasured pins returned to 0 V |      |      | 10   | pF   |

## 26.3 Operating Conditions

(T<sub>A</sub> = -40 to +85°C, BV<sub>DD</sub> ≤ V<sub>DD</sub> = EV<sub>DD</sub> = AV<sub>REF0</sub> = AV<sub>REF1</sub>, V<sub>SS</sub> = EV<sub>SS</sub> = BV<sub>SS</sub> = AV<sub>SS</sub> = 0 V)

| Internal System Clock Frequency | Conditions                   | Supply Voltage  |                  |                  |                                            | Unit |
|---------------------------------|------------------------------|-----------------|------------------|------------------|--------------------------------------------|------|
|                                 |                              | V <sub>DD</sub> | EV <sub>DD</sub> | BV <sub>DD</sub> | AV <sub>REF0</sub> ,<br>AV <sub>REF1</sub> |      |
| f <sub>XX</sub> = 2.5 to 20 MHz | C = 4.7 μF,<br><b>Note 1</b> | 2.85 to 3.6     | 2.85 to 3.6      | 2.7 to 3.6       | 2.85 to 3.6                                | V    |
|                                 | C = 4.7 μF,<br><b>Note 2</b> | 3.0 to 3.6      | 3.0 to 3.6       | 2.7 to 3.6       | 3.0 to 3.6                                 | V    |
| f <sub>XT</sub> = 32.768 kHz    | C = 4.7 μF,<br><b>Note 1</b> | 2.85 to 3.6     | 2.85 to 3.6      | 2.7 to 3.6       | 2.85 to 3.6                                | V    |

<R> **Notes 1.** μPD703249Y, 703252Y: A/D converter stopped

<R> μPD703253Y: A/D converter stopped, D/A converter stopped

**2.** μPD703249Y, 703252Y: A/D converter operation

<R> μPD703253Y: A/D converter operation, D/A converter operation

## 26.4 Oscillator Characteristics

### 26.4.1 Main clock oscillator characteristics

( $T_A = -40$  to  $+85^\circ\text{C}$ ,  $BV_{DD} \leq V_{DD} = EV_{DD} = AV_{REF0} = AV_{REF1}$ ,  $V_{SS} = EV_{SS} = BV_{SS} = AV_{SS} = 0\text{ V}$ )

| Resonator                               | Circuit Example         | Parameter                                         | Conditions                  | MIN.                  | TYP.          | MAX. | Unit |
|-----------------------------------------|-------------------------|---------------------------------------------------|-----------------------------|-----------------------|---------------|------|------|
| Ceramic resonator/<br>Crystal resonator |                         | Oscillation frequency ( $f_x$ ) <sup>Note 1</sup> |                             | 2.5                   |               | 10   | MHz  |
|                                         |                         | Oscillation stabilization time <sup>Note 2</sup>  | After reset is released     |                       | $2^{16}/f_x$  |      | s    |
|                                         |                         |                                                   | After STOP mode is released | $1$ <sup>Note 4</sup> | <b>Note 3</b> |      | ms   |
| After IDLE2 mode is released            | $350$ <sup>Note 4</sup> | <b>Note 3</b>                                     |                             | $\mu\text{s}$         |               |      |      |

**Notes 1.** The oscillation frequency shown above indicates only oscillator characteristics. Use the  $\mu\text{PD703253Y}$  so that the internal operation conditions do not exceed the ratings shown in **AC Characteristics** and **DC Characteristics**.

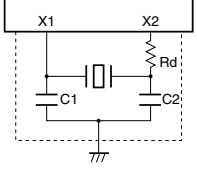
2. Time required from start of oscillation until the resonator stabilizes.
3. The value varies depending on the setting of the OSTS register.
4. Time required to set up PLL. Secure the setup time using the OSTS register.

**Cautions 1.** When using the main clock oscillator, wire as follows in the area enclosed by the broken lines in the above figure to avoid an adverse effect from wiring capacitance.

- Keep the wiring length as short as possible.
  - Do not cross the wiring with the other signal lines.
  - Do not route the wiring near a signal line through which a high fluctuating current flows.
  - Always make the ground point of the oscillator capacitor the same potential as  $V_{SS}$ .
  - Do not ground the capacitor to a ground pattern through which a high current flows.
  - Do not fetch signals from the oscillator.
2. When the main clock is stopped and the device is operating on the subclock, wait until the oscillation stabilization time has been secured by the program before switching back to the main clock.

<R>

(i) KYOCERA KINSEKI CORPORATION: Crystal resonator (T<sub>A</sub> = -40 to +85°C)

| Manufacturer<br>(Part Number)                                                                                                                                                                                      | Circuit Example                                                                   | Oscillation<br>Frequency<br>f <sub>x</sub> (kHz) | Recommended Circuit Constant |         |         | Oscillation Voltage<br>Range |          |
|--------------------------------------------------------------------------------------------------------------------------------------------------------------------------------------------------------------------|-----------------------------------------------------------------------------------|--------------------------------------------------|------------------------------|---------|---------|------------------------------|----------|
|                                                                                                                                                                                                                    |                                                                                   |                                                  | C1 (pF)                      | C2 (pF) | Rd (kΩ) | MIN. (V)                     | MAX. (V) |
| KYOCERA KINSEKI<br>CORPORATION<br>- CX-5FD (capacitance : 8 pF)<br>- CX-49G (capacitance : 8 pF)<br>- HC-49/U-S (capacitance : 8 pF)<br>About other resonator's type name,<br>refer to the resonator manufacturer. |  | 4,000                                            | 8                            | 8       | –       | 2.85                         | 3.6      |
|                                                                                                                                                                                                                    |                                                                                   | 5,000                                            | 8                            | 8       | –       | 2.85                         | 3.6      |
|                                                                                                                                                                                                                    |                                                                                   | 8,000                                            | 8                            | 8       | –       | 2.85                         | 3.6      |
|                                                                                                                                                                                                                    |                                                                                   | 10,000                                           | 8                            | 8       | –       | 2.85                         | 3.6      |
|                                                                                                                                                                                                                    |                                                                                   | 3,145.72                                         | 8                            | 8       | –       | 2.85                         | 3.6      |
|                                                                                                                                                                                                                    |                                                                                   | 4,718.592                                        | 8                            | 8       | –       | 2.85                         | 3.6      |
|                                                                                                                                                                                                                    |                                                                                   | 6,291.456                                        | 8                            | 8       | –       | 2.85                         | 3.6      |

**Caution** This oscillator constant is a reference value based on evaluation under a specific environment by the resonator manufacturer.

If optimization of oscillator characteristics is necessary in the actual application, apply to the resonator manufacturer for evaluation on the implementation circuit.

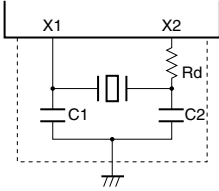
The oscillation voltage and oscillation frequency indicate only oscillator characteristics. Use the V850ES/SG1 so that the internal operating conditions are within the specifications of the DC and AC characteristics.

**Remark** Contact :

KYOCERA Electronic components & devices <http://global.kyocera.com/prdct/electro/index.html>

Resonator vs. IC matching search <http://www3.kyocera.co.jp/electro/app/en/searchTopShow.do>

<R> (ii) Murata Mfg. Co. Ltd.: Ceramic resonator (T<sub>A</sub> = -40 to +85°C)

| Manufacturer         | Circuit Example                                                                   | Oscillation Frequency f <sub>x</sub> (MHz) | Part Number        | Recommended Circuit Constant |              |                     | Oscillation Voltage Range |          |
|----------------------|-----------------------------------------------------------------------------------|--------------------------------------------|--------------------|------------------------------|--------------|---------------------|---------------------------|----------|
|                      |                                                                                   |                                            |                    | C1 (pF)                      | C2 (pF)      | R <sub>d</sub> (kΩ) | MIN. (V)                  | MAX. (V) |
| Murata Mfg. Co. Ltd. |  | 4.000                                      | CSTCR4M00G55B-R0   | on-chip (39)                 | on-chip (39) | 0                   | 2.85                      | 3.6      |
|                      |                                                                                   |                                            | CSTCR4M00G15C**-R0 | on-chip (39)                 | on-chip (39) | 0                   | 2.85                      | 3.6      |
|                      |                                                                                   | 5.000                                      | CSTCR5M00G55B-R0   | on-chip (39)                 | on-chip (39) | 0                   | 2.85                      | 3.6      |
|                      |                                                                                   |                                            | CSTCR5M00G15C**-R0 | on-chip (39)                 | on-chip (39) | 0                   | 2.85                      | 3.6      |
|                      |                                                                                   | 6.000                                      | CSTCR6M00G55B-R0   | on-chip (39)                 | on-chip (39) | 0                   | 2.85                      | 3.6      |
|                      |                                                                                   |                                            | CSTCR6M00G15C**-R0 | on-chip (39)                 | on-chip (39) | 0                   | 2.85                      | 3.6      |
|                      |                                                                                   | 8.000                                      | CSTCE8M00G55A-R0   | on-chip (33)                 | on-chip (33) | 0                   | 2.85                      | 3.6      |
|                      |                                                                                   |                                            | CSTCE8M00G15C**-R0 | on-chip (33)                 | on-chip (33) | 0                   | 2.85                      | 3.6      |
|                      |                                                                                   | 10.000                                     | CSTCE10M0G55A-R0   | on-chip (33)                 | on-chip (33) | 0                   | 2.85                      | 3.6      |
|                      |                                                                                   |                                            | CSTCE10M0G15C**-R0 | on-chip (33)                 | on-chip (33) | 0                   | 2.85                      | 3.6      |

**Caution** This oscillator constant is a reference value based on evaluation under a specific environment by the resonator manufacturer.

If optimization of oscillator characteristics is necessary in the actual application, apply to the resonator manufacturer for evaluation on the implementation circuit.

The oscillation voltage and oscillation frequency indicate only oscillator characteristics. Use the V850ES/SG1 so that the internal operating conditions are within the specifications of the DC and AC characteristics.

**Remarks** 1. The total tolerance of a product having “\*\*\*” in its part number can be adjusted up to ±3000 ppm.

2. Contact:

Product Engineering Service Section  
 Piezoelectric Components Department I  
 Piezoelectric Components Division  
 Device Business Unit  
 Murata Mfg. Co., Ltd.  
 TEL: +81-75-955-6915  
 E-mail: piezo@murata.co.jp  
 IC Part Number -> Ceramic Resonator Search: [http://search.murata.co.jp/Ceramy/CeMenu\\_en.do](http://search.murata.co.jp/Ceramy/CeMenu_en.do)

## 26.4.2 Subclock oscillator characteristics

( $T_A = -40$  to  $+85^\circ\text{C}$ ,  $BV_{DD} \leq V_{DD} = EV_{DD} = AV_{REF0} = AV_{REF1}$ ,  $V_{SS} = EV_{SS} = BV_{SS} = AV_{SS} = 0\text{ V}$ )

| Resonator         | Circuit Example | Parameter                                            | Conditions | MIN. | TYP.   | MAX. | Unit |
|-------------------|-----------------|------------------------------------------------------|------------|------|--------|------|------|
| Crystal resonator |                 | Oscillation frequency ( $f_{XT}$ ) <sup>Note 1</sup> |            | 32   | 32.768 | 35   | kHz  |
|                   |                 | Oscillation stabilization time <sup>Note 2</sup>     |            |      |        | 10   | s    |

**Notes** 1. The oscillation frequency shown above indicates only oscillator characteristics. Use the  $\mu\text{PD703253Y}$  so that the internal operation conditions do not exceed the ratings shown in **AC Characteristics** and **DC Characteristics**.

2. Time required from when  $V_{DD}$  reaches the following oscillation voltage range to when the crystal resonator stabilizes.

**Cautions** 1. When using the subclock oscillator, wire as follows in the area enclosed by the broken lines in the above figures to avoid an adverse effect from wiring capacitance.

- Keep the wiring length as short as possible.
  - Do not cross the wiring with the other signal lines.
  - Do not route the wiring near a signal line through which a high fluctuating current flows.
  - Always make the ground point of the oscillator capacitor the same potential as  $V_{SS}$ .
  - Do not ground the capacitor to a ground pattern through which a high current flows.
  - Do not fetch signals from the oscillator.
2. The subclock oscillator is designed as a low-amplitude circuit for reducing power consumption, and is more prone to malfunction due to noise than the main clock oscillator. Particular care is therefore required with the wiring method when the subclock is used.
3. For the resonator selection and oscillator constant, customers are requested to either evaluate the oscillation themselves or apply to the resonator manufacturer for evaluation.

### 26.4.3 PLL characteristics

( $T_A = -40$  to  $+85^\circ\text{C}$ ,  $BV_{DD} \leq V_{DD} = EV_{DD} = AV_{REF0} = AV_{REF1}$ ,  $V_{SS} = EV_{SS} = BV_{SS} = AV_{SS} = 0\text{ V}$ )

| Parameter        | Symbol    | Conditions                           | MIN. | TYP. | MAX. | Unit          |
|------------------|-----------|--------------------------------------|------|------|------|---------------|
| Input frequency  | $f_x$     | ×4 mode                              | 2.5  |      | 5    | MHz           |
|                  |           | ×8 mode                              | 2.5  |      | 2.5  | MHz           |
| Output frequency | $f_{xx}$  | ×4 mode                              | 10   |      | 20   | MHz           |
|                  |           | ×8 mode                              | 20   |      | 20   | MHz           |
| Lock time        | $t_{PLL}$ | After $V_{DD}$ reaches 2.85 V (MIN.) |      |      | 800  | $\mu\text{s}$ |

### 26.4.4 Internal oscillator characteristics

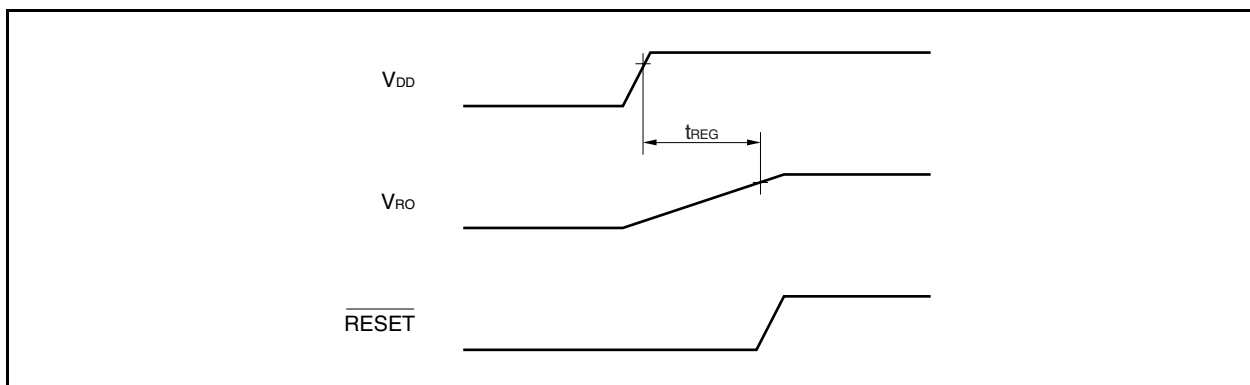
( $T_A = -40$  to  $+85^\circ\text{C}$ ,  $BV_{DD} \leq V_{DD} = EV_{DD} = AV_{REF0} = AV_{REF1}$ ,  $V_{SS} = EV_{SS} = BV_{SS} = AV_{SS} = 0\text{ V}$ )

| Parameter        | Symbol | Conditions | MIN. | TYP. | MAX. | Unit |
|------------------|--------|------------|------|------|------|------|
| Output frequency | $f_R$  |            | 100  | 200  | 400  | kHz  |

### 26.5 Regulator Characteristics

( $T_A = -40$  to  $+85^\circ\text{C}$ ,  $BV_{DD} \leq V_{DD} = EV_{DD} = AV_{REF0} = AV_{REF1}$ ,  $V_{SS} = EV_{SS} = BV_{SS} = AV_{SS} = 0\text{ V}$ )

| Parameter                           | Symbol    | Conditions                                                                                                         | MIN. | TYP. | MAX. | Unit |
|-------------------------------------|-----------|--------------------------------------------------------------------------------------------------------------------|------|------|------|------|
| Input voltage                       | $V_{DD}$  | $f_{xx} = 20\text{ MHz (MAX.)}$                                                                                    | 2.85 |      | 3.6  | V    |
| Output voltage                      | $V_{RO}$  |                                                                                                                    |      | 2.5  |      | V    |
| Regulator output stabilization time | $t_{REG}$ | After $V_{DD}$ reaches 2.85 V (MIN.),<br>Stabilization capacitance $C = 4.7\ \mu\text{F}$<br>connected to REGC pin |      |      | 1    | ms   |





## 26.6 DC Characteristics

## 26.6.1 I/O level

( $T_A = -40$  to  $+85^\circ\text{C}$ ,  $BV_{DD} \leq V_{DD} = EV_{DD} = AV_{REF0} = AV_{REF1}$ ,  $V_{SS} = EV_{SS} = BV_{SS} = AV_{SS} = 0\text{ V}$ )

| Parameter                    | Symbol    | Conditions                                                        | MIN.           | TYP. | MAX.           | Unit          |
|------------------------------|-----------|-------------------------------------------------------------------|----------------|------|----------------|---------------|
| Input voltage, high          | $V_{IH1}$ | PDH4, PDH5                                                        | $0.7EV_{DD}$   |      | $EV_{DD}$      | V             |
|                              | $V_{IH2}$ | $\overline{\text{RESET}}$                                         | $0.8EV_{DD}$   |      | $EV_{DD}$      | V             |
|                              | $V_{IH3}$ | P02 to P06, P30 to P37, P42, P50 to P55, P92 to P915              | $0.8EV_{DD}$   |      | 5.5            | V             |
|                              | $V_{IH4}$ | P38, P39, P40, P41, P90, P91                                      | $0.7EV_{DD}$   |      | 5.5            | V             |
|                              | $V_{IH5}$ | PCM0 to PCM3, PCT0, PCT1, PCT4, PCT6, PDH0 to PDH3, PDL0 to PDL15 | $0.7BV_{DD}$   |      | $BV_{DD}$      | V             |
|                              | $V_{IH6}$ | P70 to P711                                                       | $0.7AV_{REF0}$ |      | $AV_{REF0}$    | V             |
|                              | $V_{IH7}$ | P10, P11                                                          | $0.7AV_{REF1}$ |      | $AV_{REF1}$    | V             |
| Input voltage, low           | $V_{IL1}$ | PDH4, PDH5                                                        | $EV_{SS}$      |      | $0.3EV_{DD}$   | V             |
|                              | $V_{IL2}$ | $\overline{\text{RESET}}$                                         | $EV_{SS}$      |      | $0.2EV_{DD}$   | V             |
|                              | $V_{IL3}$ | P02 to P06, P30 to P37, P42, P50 to P55, P92 to P915              | $EV_{SS}$      |      | $0.2EV_{DD}$   | V             |
|                              | $V_{IL4}$ | P38, P39, P40, P41, P90, P91                                      | $EV_{SS}$      |      | $0.3EV_{DD}$   | V             |
|                              | $V_{IL5}$ | PCM0 to PCM3, PCT0, PCT1, PCT4, PCT6, PDH0 to PDH3, PDL0 to PDL15 | $BV_{SS}$      |      | $0.3BV_{DD}$   | V             |
|                              | $V_{IL6}$ | P70 to P711                                                       | $AV_{SS}$      |      | $0.3AV_{REF0}$ | V             |
|                              | $V_{IL7}$ | P10, P11                                                          | $AV_{SS}$      |      | $0.3AV_{REF1}$ | V             |
| Input leakage current, high  | $I_{LIH}$ | $V_I = V_{DD} = EV_{DD} = BV_{DD} = AV_{REF0} = AV_{REF1}$        |                |      | 5              | $\mu\text{A}$ |
| Input leakage current, low   | $I_{LIL}$ | $V_I = 0\text{ V}$                                                |                |      | -5             | $\mu\text{A}$ |
| Output leakage current, high | $I_{LOH}$ | $V_O = V_{DD} = EV_{DD} = BV_{DD} = AV_{REF0} = AV_{REF1}$        |                |      | 5              | $\mu\text{A}$ |
| Output leakage current, low  | $I_{LOL}$ | $V_O = 0\text{ V}$                                                |                |      | -5             | $\mu\text{A}$ |

**Remark** Unless specified otherwise, the characteristics of alternate-function pins are the same as those of port pins.

( $T_A = -40$  to  $+85^\circ\text{C}$ ,  $BV_{DD} \leq V_{DD} = EV_{DD} = AV_{REF0} = AV_{REF1}$ ,  $V_{SS} = EV_{SS} = BV_{SS} = AV_{SS} = 0\text{ V}$ )

| Parameter                   | Symbol              | Conditions                                                                             |                                                                                 | MIN.                                | TYP.                       | MAX. | Unit               |            |   |
|-----------------------------|---------------------|----------------------------------------------------------------------------------------|---------------------------------------------------------------------------------|-------------------------------------|----------------------------|------|--------------------|------------|---|
| Output voltage, high        | V <sub>OH1</sub>    | P02 to P06,<br>P30 to P39,<br>P40 to P42,<br>P50 to P55,<br>P90 to P915,<br>PDH4, PDH5 | Per pin<br>I <sub>OH</sub> = -1.0 mA                                            | Total of all pins<br>-20 mA         | EV <sub>DD</sub> - 1.0     |      | EV <sub>DD</sub>   | V          |   |
|                             |                     |                                                                                        | Per pin<br>I <sub>OH</sub> = -100 $\mu\text{A}$                                 | Total of all pins<br>-4.2 mA        | EV <sub>DD</sub> - 0.5     |      | EV <sub>DD</sub>   | V          |   |
|                             | V <sub>OH2</sub>    | PCM0 to<br>PCM3, PCT0,<br>PCT1, PCT4,<br>PCT6, PDH0<br>to PDH3,<br>PDL0 to<br>PDL15    | Per pin<br>I <sub>OH</sub> = -1.0 mA                                            | Total of all pins<br>-20 mA         | BV <sub>DD</sub> - 1.0     |      | BV <sub>DD</sub>   | V          |   |
|                             |                     |                                                                                        | Per pin<br>I <sub>OH</sub> = -100 $\mu\text{A}$                                 | Total of all pins<br>-2.8 mA        | BV <sub>DD</sub> - 0.5     |      | BV <sub>DD</sub>   | V          |   |
|                             | V <sub>OH3</sub>    | P70 to P711                                                                            | Per pin<br>I <sub>OH</sub> = -0.4 mA                                            | Total of all pins<br>-4.8 mA        | AV <sub>REF0</sub> - 1.0   |      | AV <sub>REF0</sub> | V          |   |
|                             |                     |                                                                                        | Per pin<br>I <sub>OH</sub> = -100 $\mu\text{A}$                                 | Total of all pins<br>-1.2 mA        | AV <sub>REF0</sub> - 0.5   |      | AV <sub>REF0</sub> | V          |   |
|                             | V <sub>OH4</sub>    | P10, P11                                                                               | Per pin<br>I <sub>OH</sub> = -0.4 mA                                            | Total of all pins<br>-0.8 mA        | AV <sub>REF1</sub> - 1.0   |      | AV <sub>REF1</sub> | V          |   |
|                             |                     |                                                                                        | Per pin<br>I <sub>OH</sub> = -100 $\mu\text{A}$                                 | Total of all pins<br>-0.2 mA        | AV <sub>REF1</sub> - 0.5   |      | AV <sub>REF1</sub> | V          |   |
|                             | Output voltage, low | V <sub>OL1</sub>                                                                       | P02 to P06,<br>P30 to P37,<br>P42, P50 to<br>P55, P92 to<br>P915, PDH4,<br>PDH5 | Per pin<br>I <sub>OL</sub> = 1.0 mA | Total of all pins<br>20 mA | 0    |                    | 0.4        | V |
|                             |                     | V <sub>OL2</sub>                                                                       | P38, P39,<br>P40, P41,<br>P90, P91                                              | Per pin<br>I <sub>OL</sub> = 3.0 mA |                            | 0    |                    | 0.4        | V |
| V <sub>OL3</sub>            |                     | PCM0 to<br>PCM3, PCT0,<br>PCT1, PCT4,<br>PCT6, PDH0<br>to PDH3,<br>PDL0 to<br>PDL15    | Per pin<br>I <sub>OL</sub> = 1.0 mA                                             | Total of all pins<br>20 mA          | 0                          |      | 0.4                | V          |   |
| V <sub>OL4</sub>            |                     | P10, P11,<br>P70 to P711                                                               | Per pin<br>I <sub>OL</sub> = 0.4 mA                                             | Total of all pins<br>5.6 mA         | 0                          |      | 0.4                | V          |   |
| Software pull-down resistor | R <sub>1</sub>      | P05                                                                                    | V <sub>I</sub> = V <sub>DD</sub>                                                |                                     | 10                         | 30   | 100                | k $\Omega$ |   |

- Remarks 1.** Unless specified otherwise, the characteristics of alternate-function pins are the same as those of port pins.
- 2.** When the I<sub>OH</sub> and I<sub>OL</sub> conditions are not satisfied for a pin but the total value of all pins is satisfied, only that pin does not satisfy the DC characteristics.

## 26.6.2 Supply current

(1)  $\mu$ PD703249Y, 703252Y(T<sub>A</sub> = -40 to +85°C, BV<sub>DD</sub> ≤ V<sub>DD</sub> = EV<sub>DD</sub> = AV<sub>REF0</sub> = AV<sub>REF1</sub>, V<sub>SS</sub> = EV<sub>SS</sub> = BV<sub>SS</sub> = AV<sub>SS</sub> = 0 V)

| Parameter                                              | Symbol           | Conditions              |                                                                                  | MIN. | TYP. | MAX. | Unit |
|--------------------------------------------------------|------------------|-------------------------|----------------------------------------------------------------------------------|------|------|------|------|
| Supply current <sup>Note 1</sup><br>(mask ROM version) | I <sub>DD1</sub> | Normal operation        | f <sub>XX</sub> = 20 MHz (f <sub>X</sub> = 5 MHz), peripheral function operating |      | 21   | 32   | mA   |
|                                                        | I <sub>DD2</sub> | HALT mode               | f <sub>XX</sub> = 20 MHz (f <sub>X</sub> = 5 MHz), peripheral function operating |      | 15   | 24   | mA   |
|                                                        | I <sub>DD3</sub> | IDLE1 mode              | f <sub>XX</sub> = 5 MHz (f <sub>X</sub> = 5 MHz), PLL off                        |      | 0.3  | 0.8  | mA   |
|                                                        | I <sub>DD4</sub> | IDLE2 mode              | f <sub>XX</sub> = 5 MHz (f <sub>X</sub> = 5 MHz), PLL off                        |      | 0.3  | 0.8  | mA   |
|                                                        | I <sub>DD5</sub> | Subclock operating mode | f <sub>XT</sub> = 32.768 kHz, main clock, internal oscillator stopped            |      | 50   | 100  | μA   |
|                                                        | I <sub>DD6</sub> | Sub-IDLE mode           | f <sub>XT</sub> = 32.768 kHz, main clock, internal oscillator stopped            |      | 15   | 70   | μA   |
|                                                        | I <sub>DD7</sub> | STOP mode               | Subclock stopped, internal oscillator stopped                                    |      | 6    | 50   | μA   |
| Subclock operating, internal oscillator stopped        |                  |                         |                                                                                  | 10   | 60   | μA   |      |
| Subclock stopped, internal oscillator operating        |                  |                         |                                                                                  | 10   | 60   | μA   |      |

**Note** Total of V<sub>DD</sub>, EV<sub>DD</sub>, and BV<sub>DD</sub> currents. Current flowing through the output buffers, A/D converter, D/A converter, and on-chip pull-down resistor is not included.

&lt;R&gt;

(2)  $\mu$ PD703253Y(T<sub>A</sub> = -40 to +85°C, BV<sub>DD</sub> ≤ V<sub>DD</sub> = EV<sub>DD</sub> = AV<sub>REF0</sub> = AV<sub>REF1</sub>, V<sub>SS</sub> = EV<sub>SS</sub> = BV<sub>SS</sub> = AV<sub>SS</sub> = 0 V)

| Parameter                                       | Symbol           | Conditions              |                                                                                 | MIN. | TYP. | MAX. | Unit |
|-------------------------------------------------|------------------|-------------------------|---------------------------------------------------------------------------------|------|------|------|------|
| Supply current <sup>Note</sup>                  | I <sub>DD1</sub> | Normal operation        | f <sub>XX</sub> = 20 MHz (f <sub>X</sub> = 5 MHz) peripheral function operating |      | 18   | 28   | mA   |
|                                                 | I <sub>DD2</sub> | HALT mode               | f <sub>XX</sub> = 20 MHz (f <sub>X</sub> = 5 MHz) peripheral function operating |      | 12   | 21   | mA   |
|                                                 | I <sub>DD3</sub> | IDLE1 mode              | f <sub>XX</sub> = 5 MHz (f <sub>X</sub> = 5 MHz), PLL off                       |      | 0.3  | 0.8  | mA   |
|                                                 | I <sub>DD4</sub> | IDLE2 mode              | f <sub>XX</sub> = 5 MHz (f <sub>X</sub> = 5 MHz), PLL off                       |      | 0.3  | 0.8  | mA   |
|                                                 | I <sub>DD5</sub> | Subclock operating mode | f <sub>XT</sub> = 32.768 kHz, main clock, internal oscillator stopped           |      | 50   | 100  | μA   |
|                                                 | I <sub>DD6</sub> | Sub-IDLE mode           | f <sub>XT</sub> = 32.768 kHz, main clock, internal oscillator stopped           |      | 15   | 70   | μA   |
|                                                 | I <sub>DD7</sub> | STOP mode               | Subclock stopped, internal oscillator stopped                                   |      | 5    | 50   | μA   |
| Subclock operating, internal oscillator stopped |                  |                         |                                                                                 | 9    | 60   | μA   |      |
| Subclock stopped, internal oscillator operating |                  |                         |                                                                                 | 9    | 60   | μA   |      |

**Note** Total of V<sub>DD</sub>, EV<sub>DD</sub>, and BV<sub>DD</sub> currents. Current flowing through the output buffers, A/D converter, D/A converter, and on-chip pull-down resistor is not included.

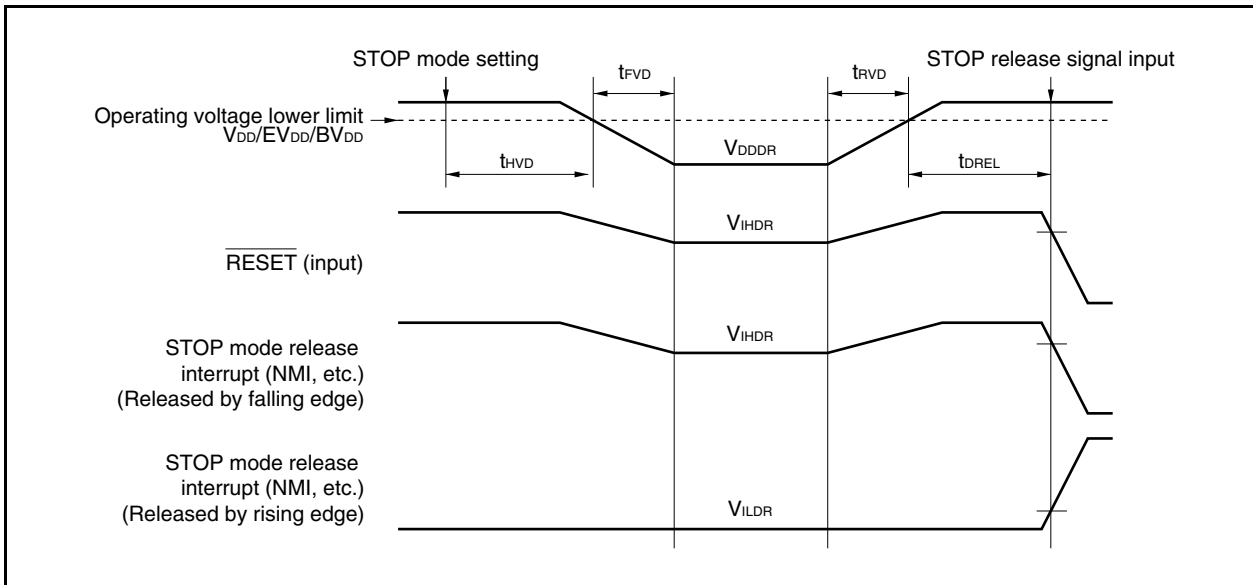
26.7 Data Retention Characteristics

(1) In STOP mode

( $T_A = -40$  to  $+85^\circ\text{C}$ ,  $BV_{DD} \leq V_{DD} = EV_{DD} = AV_{REF0} = AV_{REF1}$ ,  $V_{SS} = EV_{SS} = BV_{SS} = AV_{SS} = 0\text{ V}$ )

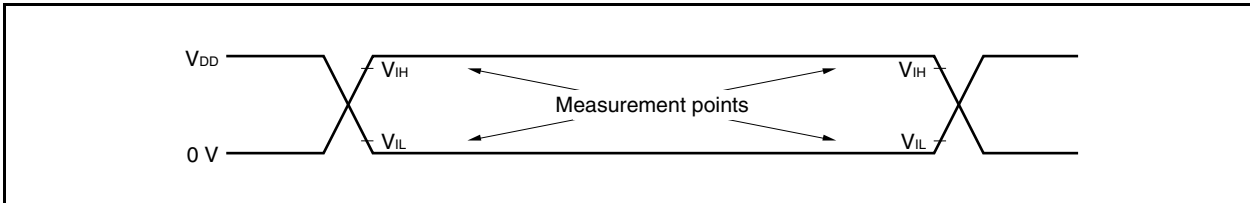
| Parameter                          | Symbol     | Conditions                              | MIN.          | TYP. | MAX.          | Unit          |
|------------------------------------|------------|-----------------------------------------|---------------|------|---------------|---------------|
| Data retention voltage             | $V_{DDDR}$ | STOP mode (all functions stopped)       | 1.9           |      | 3.6           | V             |
| Data retention current             | $I_{DDDR}$ | STOP mode (all functions stopped)       |               | 6    | 50            | $\mu\text{A}$ |
| Supply voltage rise time           | $t_{rVD}$  |                                         | 200           |      |               | $\mu\text{s}$ |
| Supply voltage fall time           | $t_{fVD}$  |                                         | 200           |      |               | $\mu\text{s}$ |
| Supply voltage retention time      | $t_{hVD}$  | After STOP mode setting                 | 0             |      |               | ms            |
| STOP release signal input time     | $t_{dREL}$ | After $V_{DD}$ reaches 2.85 V (MIN.)    | 0             |      |               | ms            |
| Data retention input voltage, high | $V_{IHDR}$ | $V_{DD} = EV_{DD} = BV_{DD} = V_{DDDR}$ | $0.9V_{DDDR}$ |      | $V_{DDDR}$    | V             |
| Data retention input voltage, low  | $V_{ILDR}$ | $V_{DD} = EV_{DD} = BV_{DD} = V_{DDDR}$ | 0             |      | $0.1V_{DDDR}$ | V             |

**Caution** Shifting to STOP mode and restoring from STOP mode must be performed within the rated operating range.

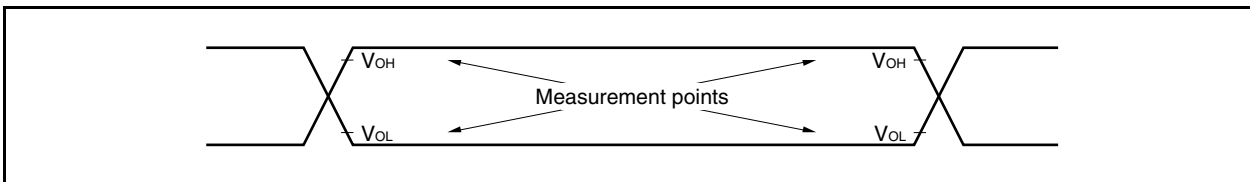


26.8 AC Characteristics

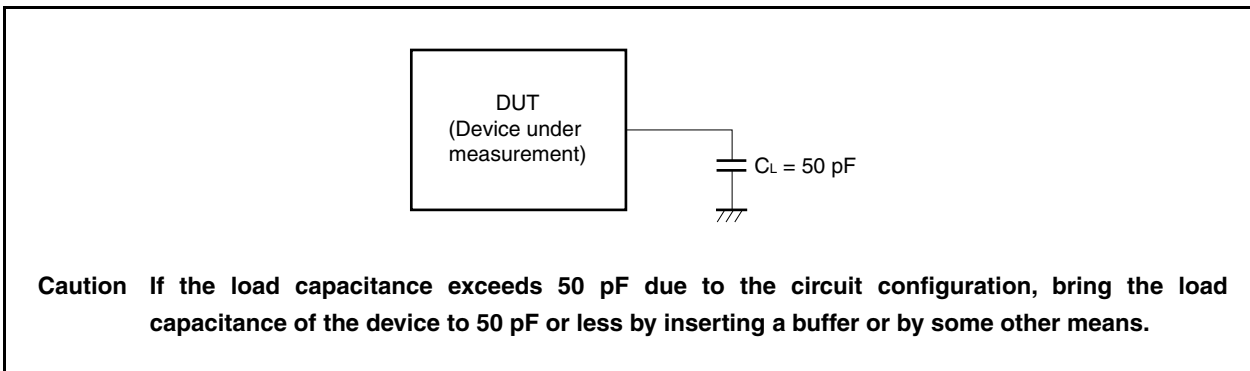
(1) AC test input measurement points ( $V_{DD}$ ,  $AV_{REF0}$ ,  $AV_{REF1}$ ,  $EV_{DD}$ ,  $BV_{DD}$ )



(2) AC test output measurement points



(3) Load conditions

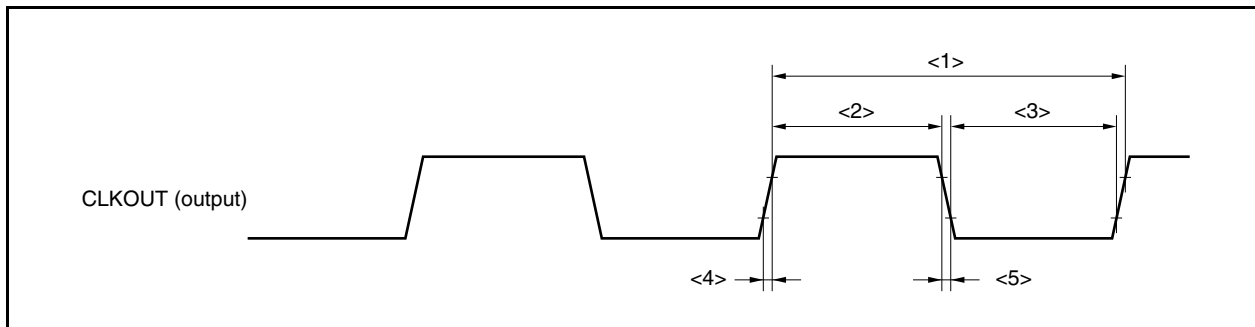


26.8.1 CLKOUT output timing

( $T_A = -40$  to  $+85^\circ\text{C}$ ,  $BV_{DD} \leq V_{DD} = EV_{DD} = AV_{REF0} = AV_{REF1}$ ,  $V_{SS} = EV_{SS} = BV_{SS} = AV_{SS} = 0\text{ V}$ )

| Parameter        | Symbol    | Conditions | MIN.             | MAX.                | Unit |
|------------------|-----------|------------|------------------|---------------------|------|
| Output cycle     | $t_{CYK}$ | <1>        | 50 ns            | 31.25 $\mu\text{s}$ |      |
| High-level width | $t_{WKH}$ | <2>        | $t_{CYK}/2 - 10$ |                     | ns   |
| Low-level width  | $t_{WKL}$ | <3>        | $t_{CYK}/2 - 10$ |                     | ns   |
| Rise time        | $t_{KR}$  | <4>        |                  | 10                  | ns   |
| Fall time        | $t_{KF}$  | <5>        |                  | 10                  | ns   |

Clock Timing



## 26.8.2 Bus timing

## (1) In multiplexed bus mode

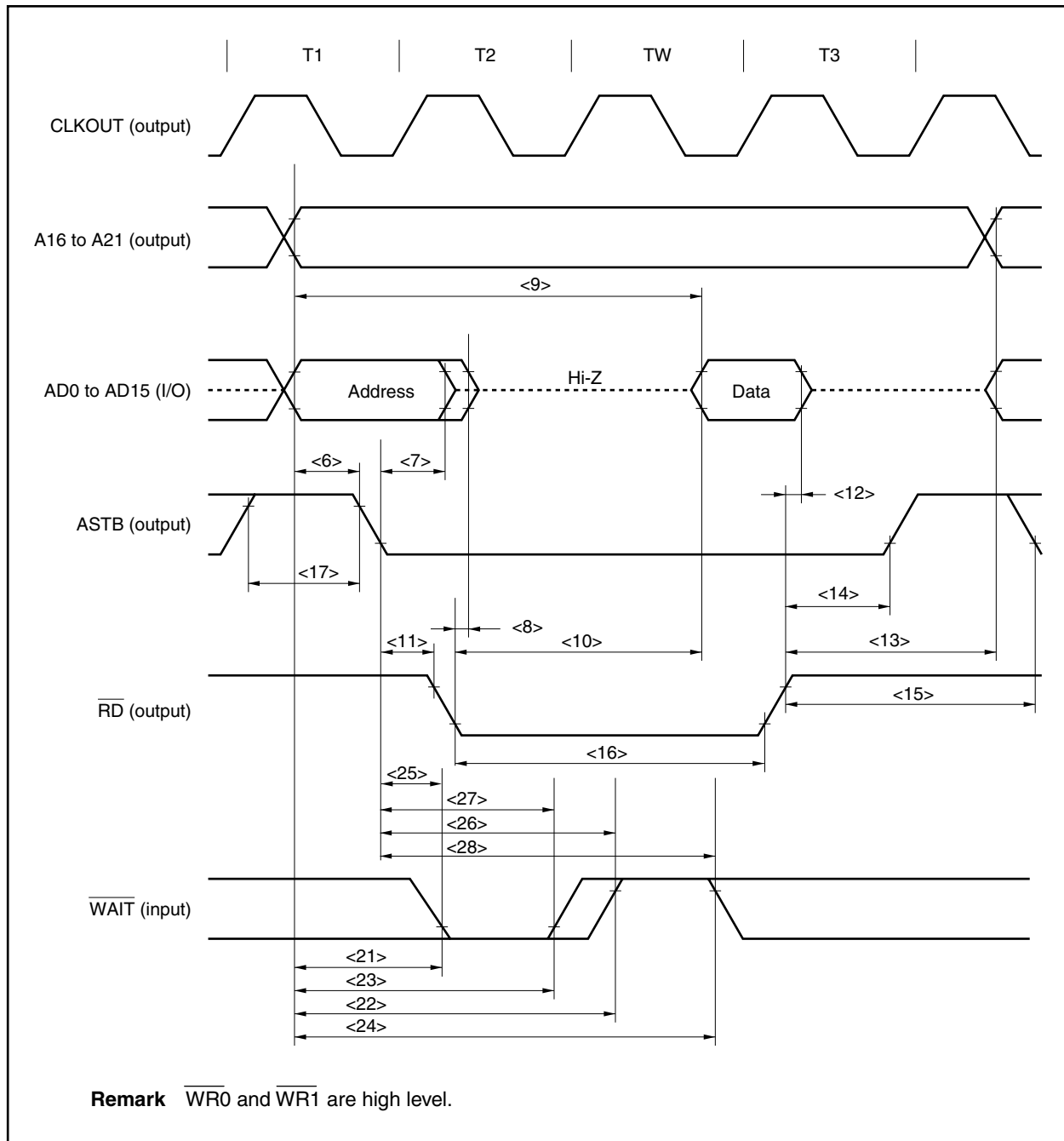
## (a) Read/write cycle (CLKOUT asynchronous)

 (T<sub>A</sub> = -40 to +85°C, BV<sub>DD</sub> ≤ V<sub>DD</sub> = EV<sub>DD</sub> = AV<sub>REF0</sub> = AV<sub>REF1</sub>, V<sub>SS</sub> = EV<sub>SS</sub> = BV<sub>SS</sub> = AV<sub>SS</sub> = 0 V, C<sub>L</sub> = 50 pF)

| Parameter                            | Symbol               | Conditions | MIN.                                              | MAX.                                                   | Unit |
|--------------------------------------|----------------------|------------|---------------------------------------------------|--------------------------------------------------------|------|
| Address setup time (to ASTB↓)        | t <sub>SAST</sub>    | <6>        | (0.5 + t <sub>ASW</sub> )T - 20                   |                                                        | ns   |
| Address hold time (from ASTB↓)       | t <sub>HSTA</sub>    | <7>        | (0.5 + t <sub>AHW</sub> )T - 15                   |                                                        | ns   |
| Delay time from RD↓ to address float | t <sub>FRDA</sub>    | <8>        |                                                   | 16                                                     | ns   |
| Data input setup time from address   | t <sub>SAID</sub>    | <9>        |                                                   | (2 + n + t <sub>ASW</sub> + t <sub>AHW</sub> )T - 35   | ns   |
| Data input setup time from RD↓       | t <sub>SRID</sub>    | <10>       |                                                   | (1 + n)T - 25                                          | ns   |
| Delay time from ASTB↓ to RD, WRm↓    | t <sub>DSTRDWR</sub> | <11>       | (0.5 + t <sub>AHW</sub> )T - 15                   |                                                        | ns   |
| Data input hold time (from RD↑)      | t <sub>HRDID</sub>   | <12>       | 0                                                 |                                                        | ns   |
| Address output time from RD↑         | t <sub>DRDA</sub>    | <13>       | (1 + i)T - 15                                     |                                                        | ns   |
| Delay time from RD, WRm↑ to ASTB↑    | t <sub>DRDWRST</sub> | <14>       | 0.5T - 15                                         |                                                        | ns   |
| Delay time from RD↑ to ASTB↓         | t <sub>DRDST</sub>   | <15>       | (1.5 + i + t <sub>ASW</sub> )T - 15               |                                                        | ns   |
| RD, WRm low-level width              | t <sub>WRDWRL</sub>  | <16>       | (1 + n)T - 15                                     |                                                        | ns   |
| ASTB high-level width                | t <sub>WSTH</sub>    | <17>       | (1 + i + t <sub>ASW</sub> )T - 15                 |                                                        | ns   |
| Data output time from WRm↓           | t <sub>DWROD</sub>   | <18>       |                                                   | 15                                                     | ns   |
| Data output setup time (to WRm↑)     | t <sub>SODWR</sub>   | <19>       | (1 + n)T - 20                                     |                                                        | ns   |
| Data output hold time (from WRm↑)    | t <sub>HWROD</sub>   | <20>       | T - 15                                            |                                                        | ns   |
| WAIT setup time (to address)         | t <sub>SAWT1</sub>   | <21> n ≥ 1 |                                                   | (1.5 + t <sub>ASW</sub> + t <sub>AHW</sub> )T - 35     | ns   |
|                                      | t <sub>SAWT2</sub>   | <22>       |                                                   | (1.5 + n + t <sub>ASW</sub> + t <sub>AHW</sub> )T - 35 | ns   |
| WAIT hold time (from address)        | t <sub>HAWT1</sub>   | <23> n ≥ 1 | (0.5 + n + t <sub>ASW</sub> + t <sub>AHW</sub> )T |                                                        | ns   |
|                                      | t <sub>HAWT2</sub>   | <24>       | (1.5 + n + t <sub>ASW</sub> + t <sub>AHW</sub> )T |                                                        | ns   |
| WAIT setup time (to ASTB↓)           | t <sub>SSWT1</sub>   | <25> n ≥ 1 |                                                   | (1 + t <sub>AHW</sub> )T - 25                          | ns   |
|                                      | t <sub>SSWT2</sub>   | <26>       |                                                   | (1 + n + t <sub>AHW</sub> )T - 25                      | ns   |
| WAIT hold time (from ASTB↓)          | t <sub>HSTWT1</sub>  | <27> n ≥ 1 | (n + t <sub>AHW</sub> )T                          |                                                        | ns   |
|                                      | t <sub>HSTWT2</sub>  | <28>       | (1 + n + t <sub>AHW</sub> )T                      |                                                        | ns   |

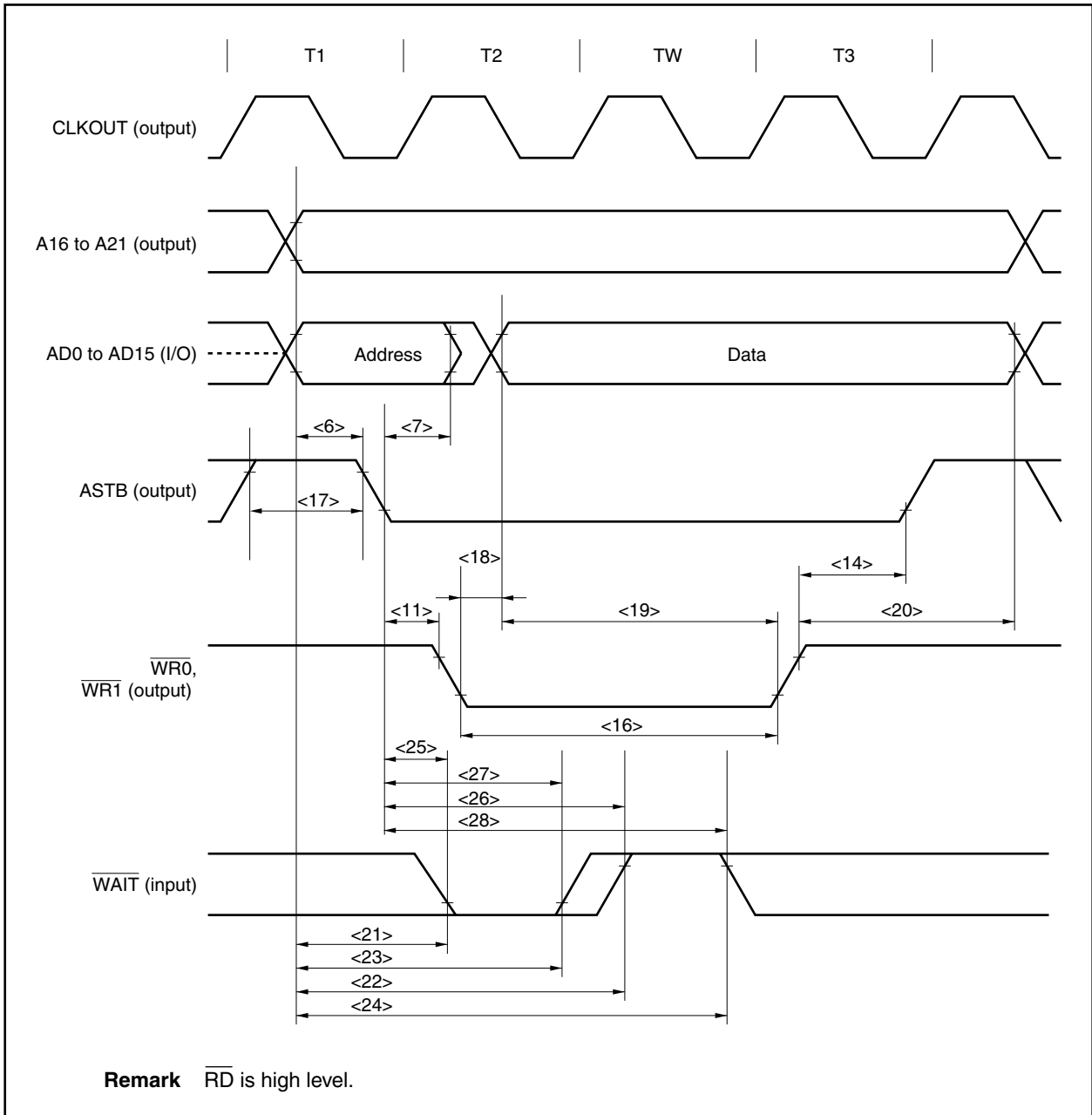
- Remarks**
- t<sub>ASW</sub>: Number of address setup wait clocks  
t<sub>AHW</sub>: Number of address hold wait clocks
  - T = 1/f<sub>CPU</sub> (f<sub>CPU</sub>: CPU operating clock frequency)
  - n: Number of wait clocks inserted in the bus cycle  
The sampling timing changes when a programmable wait is inserted.
  - m = 0, 1
  - i: Number of idle states inserted after a read cycle (0 or 1)
  - The values in the above specifications are values for when clocks with a 1:1 duty ratio are input from X1.

Read Cycle (CLKOUT Asynchronous): In Multiplexed Bus Mode





**Write Cycle (CLKOUT Asynchronous): In Multiplexed Bus Mode**



(b) Read/write cycle (CLKOUT synchronous): In multiplexed bus mode

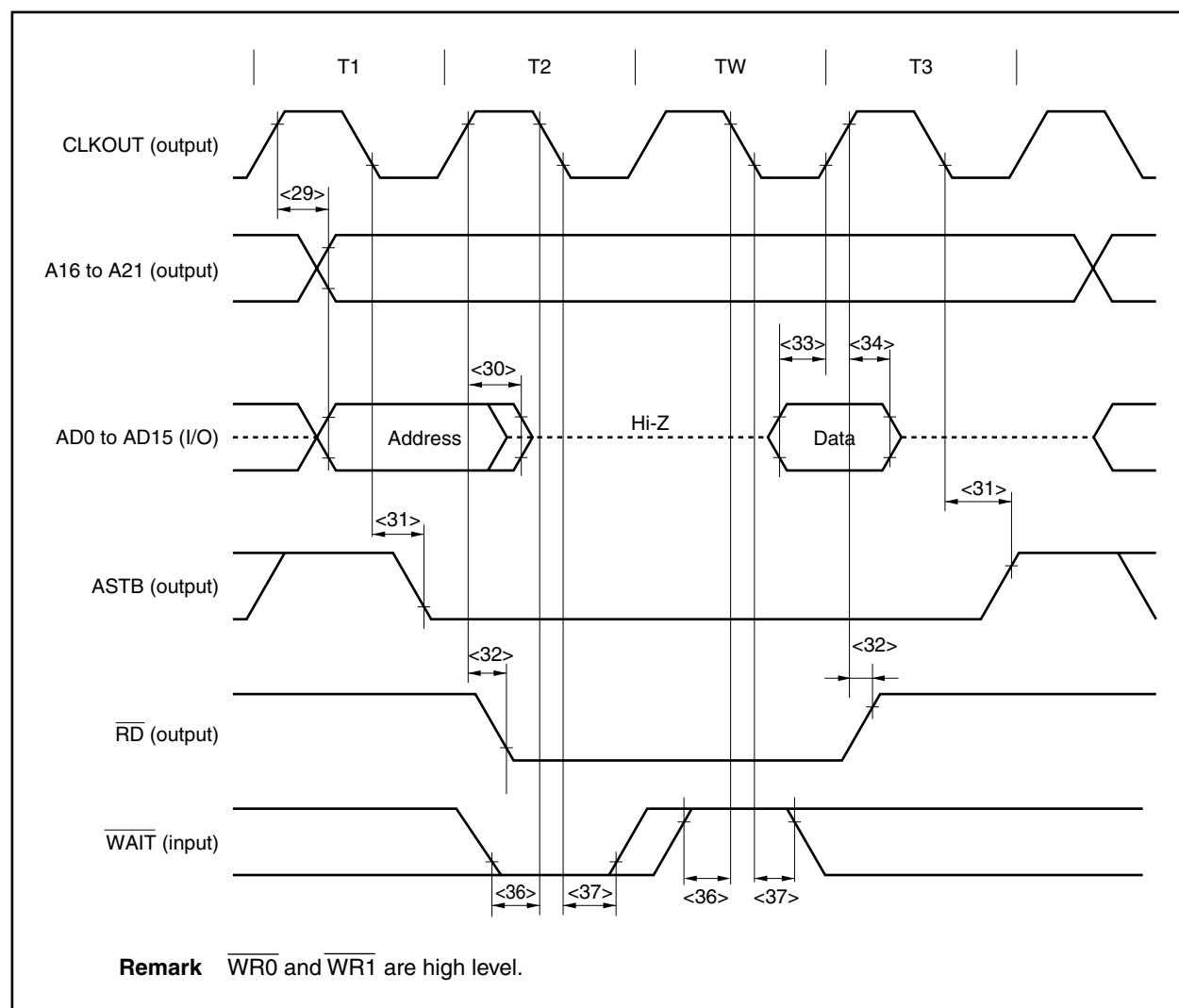
( $T_A = -40$  to  $+85^\circ\text{C}$ ,  $BV_{DD} \leq V_{DD} = EV_{DD} = AV_{REF0} = AV_{REF1}$ ,  $V_{SS} = EV_{SS} = BV_{SS} = AV_{SS} = 0$  V,  $C_L = 50$  pF)

| Parameter                                                               | Symbol       | Conditions | MIN. | MAX. | Unit |
|-------------------------------------------------------------------------|--------------|------------|------|------|------|
| Delay time from CLKOUT $\uparrow$ to address                            | $t_{DKA}$    | <29>       | 0    | 25   | ns   |
| Delay time from CLKOUT $\uparrow$ to address float                      | $t_{FKA}$    | <30>       | 0    | 19   | ns   |
| Delay time from CLKOUT $\downarrow$ to ASTB                             | $t_{DKST}$   | <31>       | -12  | 7    | ns   |
| Delay time from CLKOUT $\uparrow$ to $\overline{RD}$ , $\overline{WRm}$ | $t_{DKRDWR}$ | <32>       | -5   | 14   | ns   |
| Data input setup time (to CLKOUT $\uparrow$ )                           | $t_{SIDK}$   | <33>       | 15   |      | ns   |
| Data input hold time (from CLKOUT $\uparrow$ )                          | $t_{HKID}$   | <34>       | 5    |      | ns   |
| Data output delay time from CLKOUT $\uparrow$                           | $t_{DKOD}$   | <35>       |      | 19   | ns   |
| $\overline{WAIT}$ setup time (to CLKOUT $\downarrow$ )                  | $t_{SWTK}$   | <36>       | 20   |      | ns   |
| $\overline{WAIT}$ hold time (from CLKOUT $\downarrow$ )                 | $t_{HKWT}$   | <37>       | 5    |      | ns   |

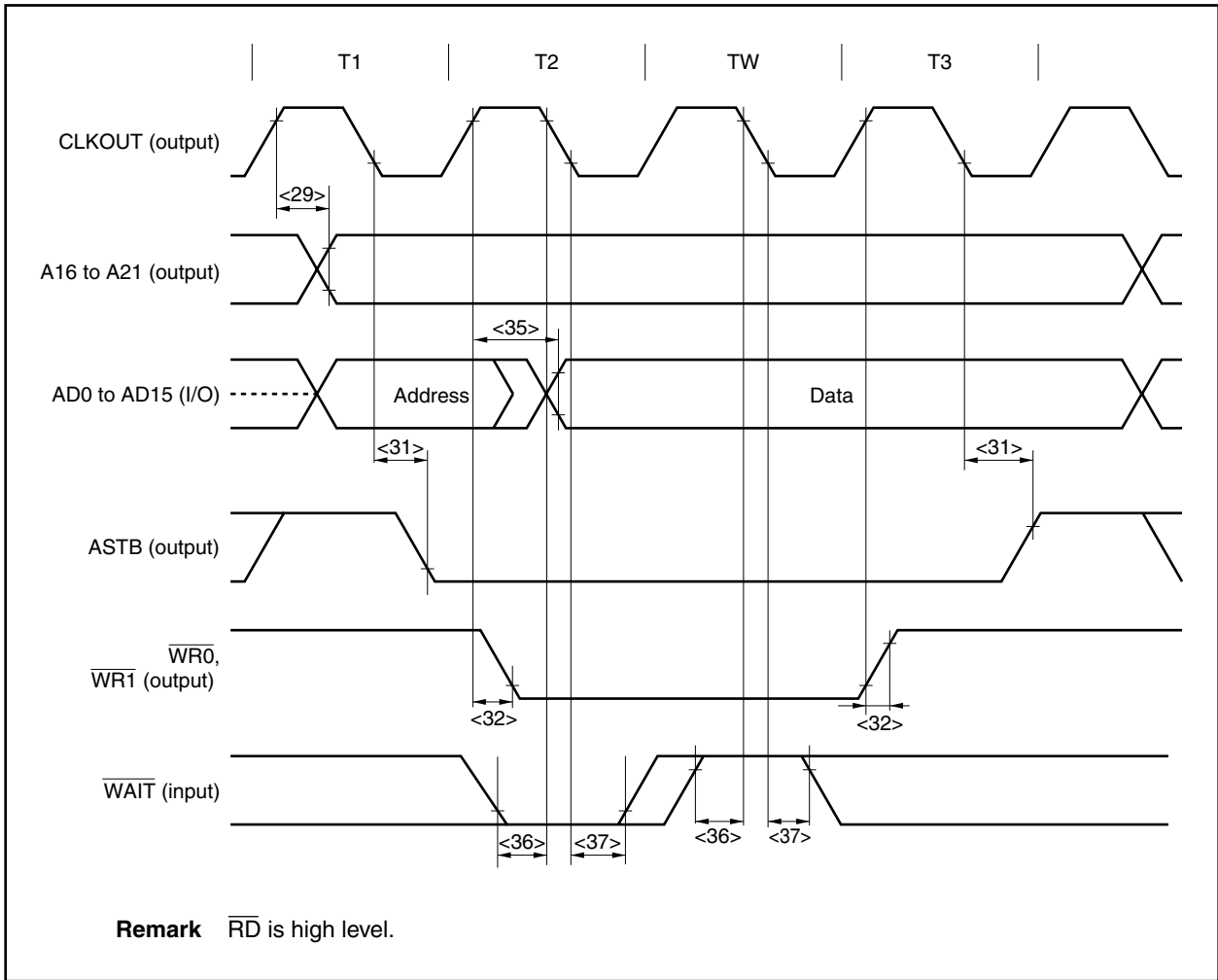
Remarks 1.  $m = 0, 1$

2. The values in the above specifications are values for when clocks with a 1:1 duty ratio are input from X1.

Read Cycle (CLKOUT Synchronous): In Multiplexed Bus Mode



**Write Cycle (CLKOUT Synchronous): In Multiplexed Bus Mode**



(2) In separate bus mode

(a) Read cycle (CLKOUT asynchronous): In separate bus mode

( $T_A = -40$  to  $+85^\circ\text{C}$ ,  $BV_{DD} \leq V_{DD} = EV_{DD} = AV_{REF0} = AV_{REF1}$ ,  $V_{SS} = EV_{SS} = BV_{SS} = AV_{SS} = 0\text{ V}$ ,  $C_L = 50\text{ pF}$ )

| Parameter                                                     | Symbol       | Conditions | MIN.                           | MAX.                                | Unit |
|---------------------------------------------------------------|--------------|------------|--------------------------------|-------------------------------------|------|
| Address setup time (to $\overline{RD}\downarrow$ )            | $t_{SARD}$   | <38>       | $(0.5 + t_{ASW})T - 23$        |                                     | ns   |
| Address hold time (from $\overline{RD}\uparrow$ )             | $t_{HARD}$   | <39>       | $iT + 1$                       |                                     | ns   |
| $\overline{RD}$ low-level width                               | $t_{WRDL}$   | <40>       | $(1.5 + n + t_{AHW})T - 10$    |                                     | ns   |
| Data setup time (to $\overline{RD}\uparrow$ )                 | $t_{SISD}$   | <41>       | 23                             |                                     | ns   |
| Data hold time (from $\overline{RD}\uparrow$ )                | $t_{HISD}$   | <42>       | 0                              |                                     | ns   |
| Data setup time (to address)                                  | $t_{SAID}$   | <43>       |                                | $(2 + n + t_{ASW} + t_{AHW})T - 40$ | ns   |
| $\overline{WAIT}$ setup time (to $\overline{RD}\downarrow$ )  | $t_{SRDWT1}$ | <44>       |                                | $(0.5 + t_{AHW})T - 25$             | ns   |
|                                                               | $t_{SRDWT2}$ | <45>       |                                | $(0.5 + n + t_{AHW})T - 25$         | ns   |
| $\overline{WAIT}$ hold time (from $\overline{RD}\downarrow$ ) | $t_{HRDWT1}$ | <46>       | $(n - 0.5 + t_{AHW})T$         |                                     | ns   |
|                                                               | $t_{HRDWT2}$ | <47>       | $(n + 0.5 + t_{AHW})T$         |                                     | ns   |
| $\overline{WAIT}$ setup time (to address)                     | $t_{SAWT1}$  | <48>       |                                | $(1 + t_{ASW} + t_{AHW})T - 45$     | ns   |
|                                                               | $t_{SAWT2}$  | <49>       |                                | $(1 + n + t_{ASW} + t_{AHW})T - 45$ | ns   |
| <R> $\overline{WAIT}$ hold time (from address)                | $t_{HAWT1}$  | <50>       | $(n + t_{ASW} + t_{AHW})T$     |                                     | ns   |
|                                                               | $t_{HAWT2}$  | <51>       | $(1 + n + t_{ASW} + t_{AHW})T$ |                                     | ns   |

**Remarks 1.**  $t_{ASW}$ : Number of address setup wait clocks

$t_{AHW}$ : Number of address hold wait clocks

2.  $T = 1/f_{CPU}$  ( $f_{CPU}$ : CPU operating clock frequency)

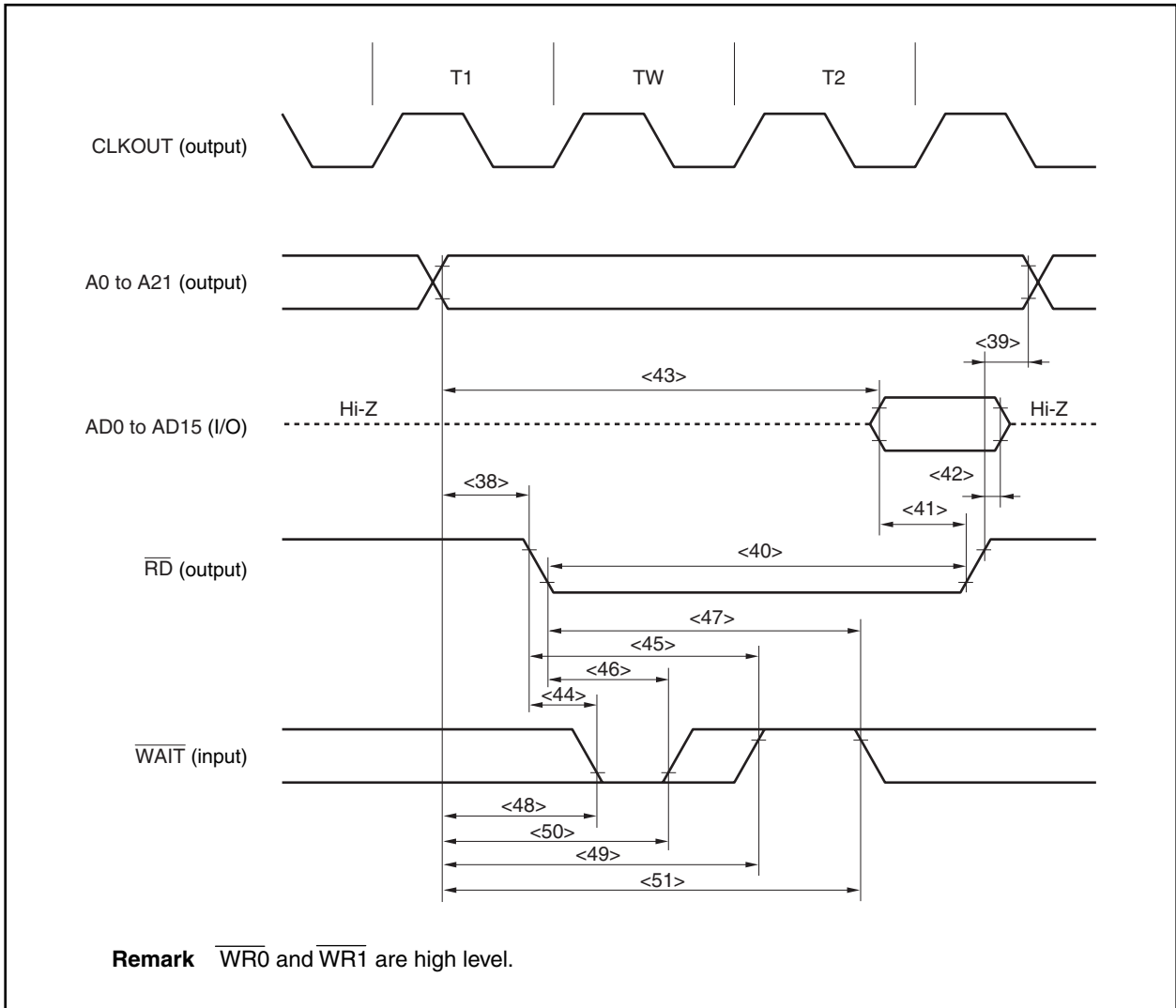
3.  $n$ : Number of wait clocks inserted in the bus cycle

The sampling timing changes when a programmable wait is inserted

4.  $i$ : Number of idle states inserted after a read cycle (0 or 1)

5. The values in the above specifications are values for when clocks with a 1:1 duty ratio are input from X1.

Read Cycle (CLKOUT Asynchronous): In Separate Bus Mode



## (b) Write cycle (CLKOUT asynchronous): In separate bus mode

(TA = -40 to +85°C, BVDD ≤ VDD = EVDD = AVREF0 = AVREF1, VSS = EVSS = BVSS = AVSS = 0 V, CL = 50 pF)

| Parameter                                                      | Symbol  | Conditions | MIN.                            | MAX.                                | Unit |
|----------------------------------------------------------------|---------|------------|---------------------------------|-------------------------------------|------|
| Address setup time (to $\overline{WRm}\downarrow$ )            | tSAWR   | <52>       | $(1 + t_{ASW} + t_{AHW})T - 23$ |                                     | ns   |
| Address hold time (from $\overline{WRm}\uparrow$ )             | tHAWR   | <53>       | $0.5T - 10$                     |                                     | ns   |
| $\overline{WRm}$ low-level width                               | tWWRL   | <54>       | $(0.5 + n)T - 10$               |                                     | ns   |
| Data output time from $\overline{WRm}\downarrow$               | tDOSDW  | <55>       | -5                              |                                     | ns   |
| Data setup time (to $\overline{WRm}\uparrow$ )                 | tSOSDW  | <56>       | $(0.5 + n)T - 20$               |                                     | ns   |
| Data hold time (from $\overline{WRm}\uparrow$ )                | tHOSDW  | <57>       | $0.5T - 10$                     |                                     | ns   |
| Data setup time (to address)                                   | tSAOD   | <58>       | $(1 + t_{ASW} + t_{AHW})T - 25$ |                                     | ns   |
| $\overline{WAIT}$ setup time (to $\overline{WRm}\downarrow$ )  | tSWRWT1 | <59>       | 22                              |                                     | ns   |
|                                                                | tSWRWT2 | <60>       |                                 | $nT - 22$                           | ns   |
| $\overline{WAIT}$ hold time (from $\overline{WRm}\downarrow$ ) | tHWRWT1 | <61>       | 0                               |                                     | ns   |
|                                                                | tHWRWT2 | <62>       | $nT$                            |                                     | ns   |
| $\overline{WAIT}$ setup time (to address)                      | tSAWT1  | <63>       |                                 | $(1 + t_{ASW} + t_{AHW})T - 45$     | ns   |
|                                                                | tSAWT2  | <64>       |                                 | $(1 + n + t_{ASW} + t_{AHW})T - 45$ | ns   |
| $\overline{WAIT}$ hold time (from address)                     | tHAWT1  | <65>       | $(n + t_{ASW} + t_{AHW})T$      |                                     | ns   |
|                                                                | tHAWT2  | <66>       | $(1 + n + t_{ASW} + t_{AHW})T$  |                                     | ns   |

**Remarks 1.** m = 0, 1

2. tASW: Number of address setup wait clocks

tAHW: Number of address hold wait clocks

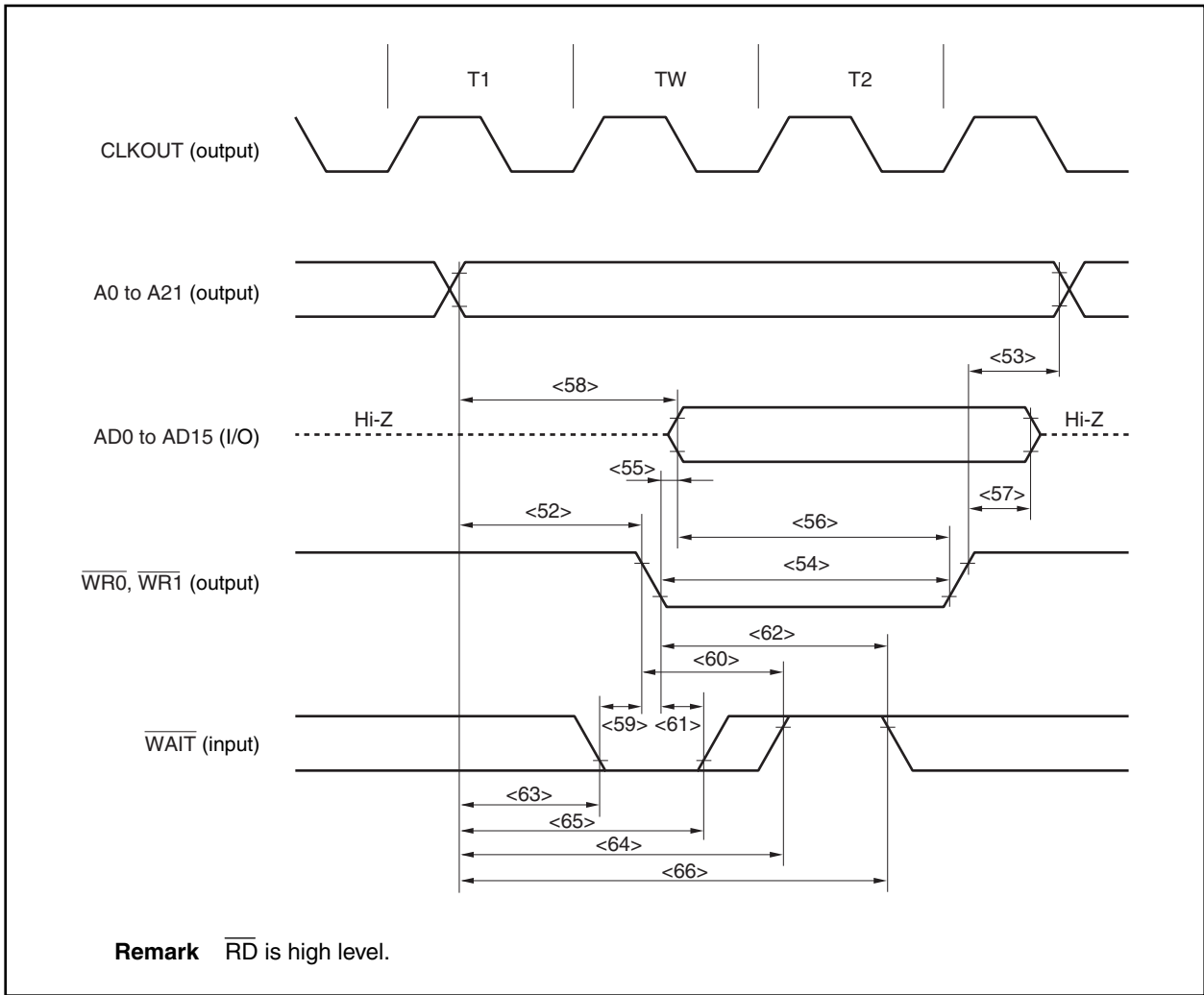
3. T = 1/fCPU (fCPU: CPU operating clock frequency)

4. n: Number of wait clocks inserted in the bus cycle

The sampling timing changes when a programmable wait is inserted.

5. The values in the above specifications are values for when clocks with a 1:1 duty ratio are input from X1.

Write Cycle (CLKOUT Asynchronous): In Separate Bus Mode



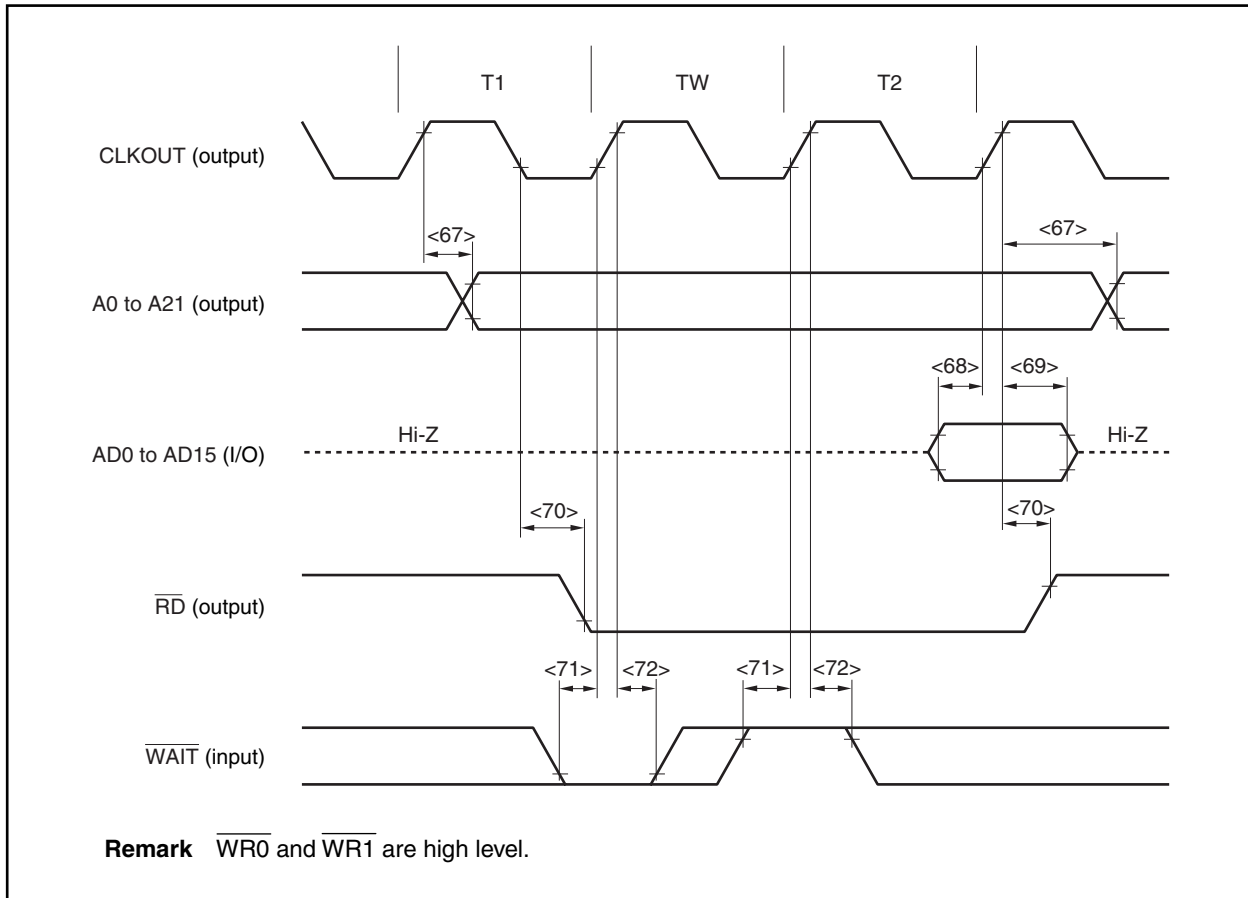
(c) Read cycle (CLKOUT synchronous): In separate bus mode

( $T_A = -40$  to  $+85^\circ\text{C}$ ,  $BV_{DD} \leq V_{DD} = EV_{DD} = AV_{REF0} = AV_{REF1}$ ,  $V_{SS} = EV_{SS} = BV_{SS} = AV_{SS} = 0$  V,  $C_L = 50$  pF)

| Parameter                                                      | Symbol      | Conditions | MIN. | MAX. | Unit |
|----------------------------------------------------------------|-------------|------------|------|------|------|
| Delay time from CLKOUT $\uparrow$ to address                   | $t_{DKSA}$  | <67>       | 2    | 25   | ns   |
| Data input setup time (to CLKOUT $\uparrow$ )                  | $t_{SISDK}$ | <68>       | 20   |      | ns   |
| Data input hold time (from CLKOUT $\uparrow$ )                 | $t_{HKISD}$ | <69>       | 0    |      | ns   |
| Delay time from CLKOUT $\downarrow\uparrow$ to $\overline{RD}$ | $t_{DKSR}$  | <70>       | -2   | 12   | ns   |
| $\overline{WAIT}$ setup time (to CLKOUT $\uparrow$ )           | $t_{SWTK}$  | <71>       | 20   |      | ns   |
| $\overline{WAIT}$ hold time (from CLKOUT $\uparrow$ )          | $t_{HKWT}$  | <72>       | 0    |      | ns   |

**Remark** The values in the above specifications are values for when clocks with a 1:1 duty ratio are input from X1.

Read Cycle (CLKOUT Synchronous, 1 Wait): In Separate Bus Mode





(d) Write cycle (CLKOUT synchronous): In separate bus mode

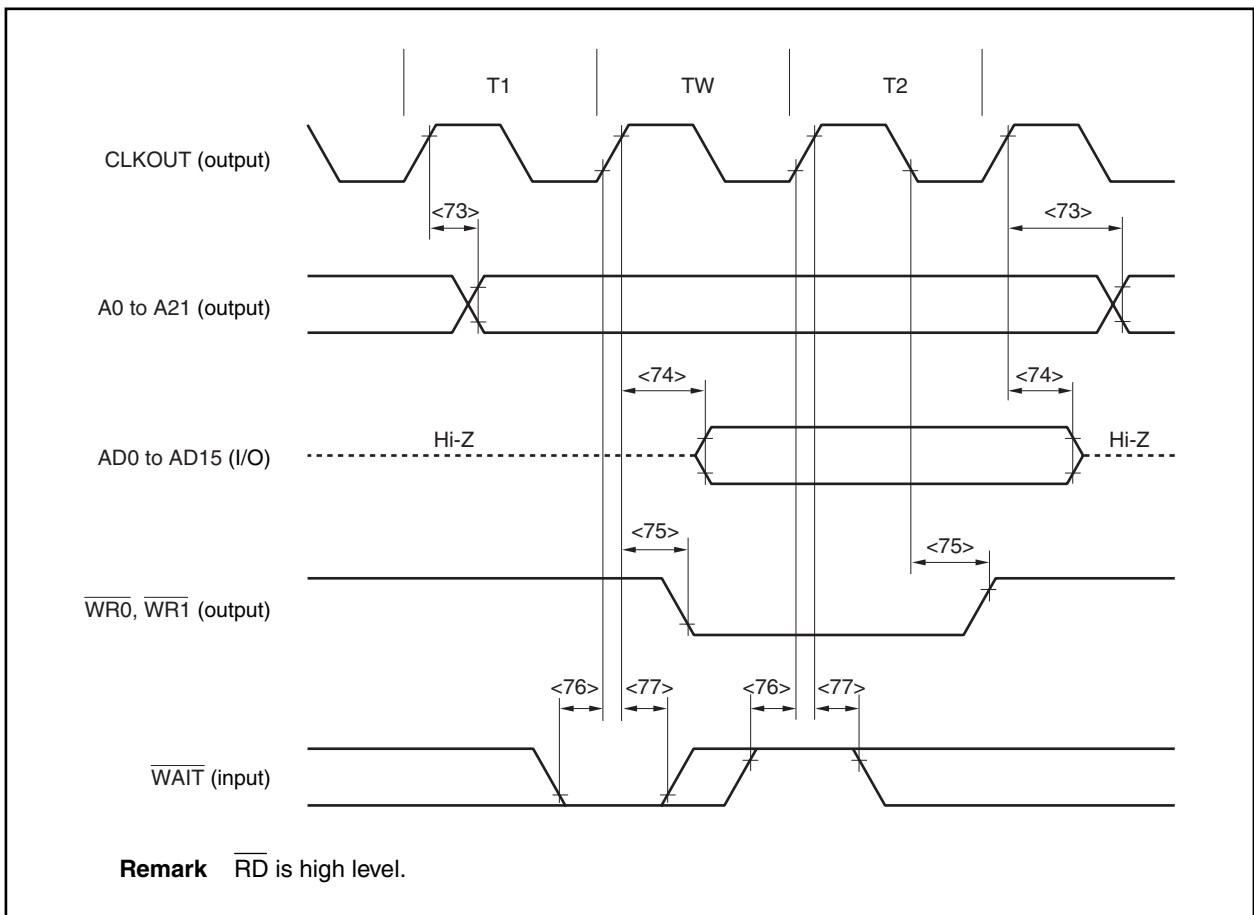
( $T_A = -40$  to  $+85^\circ\text{C}$ ,  $BV_{DD} \leq V_{DD} = EV_{DD} = AV_{REF0} = AV_{REF1}$ ,  $V_{SS} = EV_{SS} = BV_{SS} = AV_{SS} = 0$  V,  $C_L = 50$  pF)

| Parameter                                                        | Symbol     | Conditions | MIN. | MAX. | Unit |
|------------------------------------------------------------------|------------|------------|------|------|------|
| Delay time from CLKOUT $\uparrow$ to address                     | $t_{DKSA}$ | <73>       | 2    | 25   | ns   |
| Delay time from CLKOUT $\uparrow$ to data output                 | $t_{DKSD}$ | <74>       | 2    | 15   | ns   |
| Delay time from CLKOUT $\uparrow\downarrow$ to $\overline{WR}_m$ | $t_{DKSW}$ | <75>       | -2   | 12   | ns   |
| $\overline{WAIT}$ setup time (to CLKOUT $\uparrow$ )             | $t_{SWTK}$ | <76>       | 20   |      | ns   |
| $\overline{WAIT}$ hold time (from CLKOUT $\uparrow$ )            | $t_{HKWT}$ | <77>       | 0    |      | ns   |

Remarks 1.  $m = 0, 1$

2. The values in the above specifications are values for when clocks with a 1:1 duty ratio are input from X1.

Write Cycle (CLKOUT Synchronous): In Separate Bus Mode



(3) Bus hold

(a) CLKOUT asynchronous

( $T_A = -40$  to  $+85^\circ\text{C}$ ,  $BV_{DD} \leq V_{DD} = EV_{DD} = AV_{REF0} = AV_{REF1}$ ,  $V_{SS} = EV_{SS} = BV_{SS} = AV_{SS} = 0\text{ V}$ ,  $C_L = 50\text{ pF}$ )

| Parameter                                                                                    | Symbol              | Conditions | MIN.     | MAX.               | Unit |
|----------------------------------------------------------------------------------------------|---------------------|------------|----------|--------------------|------|
| H $\overline{\text{LDRQ}}$ high-level width                                                  | $t_{\text{WHQH}}$   | <78>       | $T + 10$ |                    | ns   |
| H $\overline{\text{LDAK}}$ low-level width                                                   | $t_{\text{WHAL}}$   | <79>       | $T - 15$ |                    | ns   |
| Delay time from H $\overline{\text{LDAK}}\uparrow$ to bus output                             | $t_{\text{DHAC}}$   | <80>       | -3       |                    | ns   |
| Delay time from H $\overline{\text{LDRQ}}\downarrow$ to H $\overline{\text{LDAK}}\downarrow$ | $t_{\text{DHQHA1}}$ | <81>       |          | $(2n + 7.5)T + 25$ | ns   |
| Delay time from H $\overline{\text{LDRQ}}\uparrow$ to H $\overline{\text{LDAK}}\uparrow$     | $t_{\text{DHQHA2}}$ | <82>       | $0.5T$   | $1.5T + 25$        | ns   |

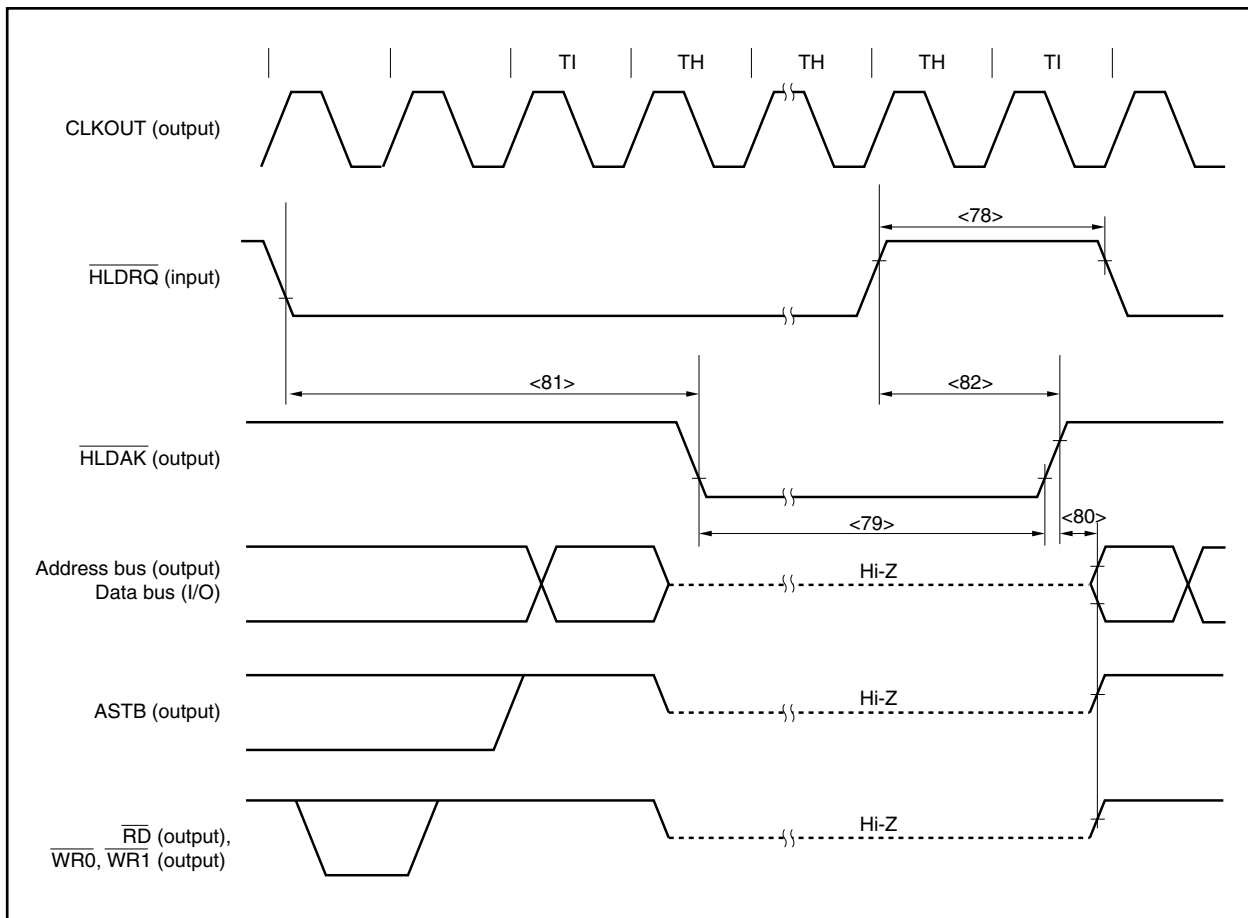
**Remarks 1.**  $T = 1/f_{\text{CPU}}$  ( $f_{\text{CPU}}$ : CPU operating clock frequency)

**2.** n: Number of wait clocks inserted in the bus cycle

The sampling timing changes when a programmable wait is inserted.

**3.** The values in the above specifications are values for when clocks with a 1:1 duty ratio are input from X1.

**Bus Hold (CLKOUT Asynchronous)**



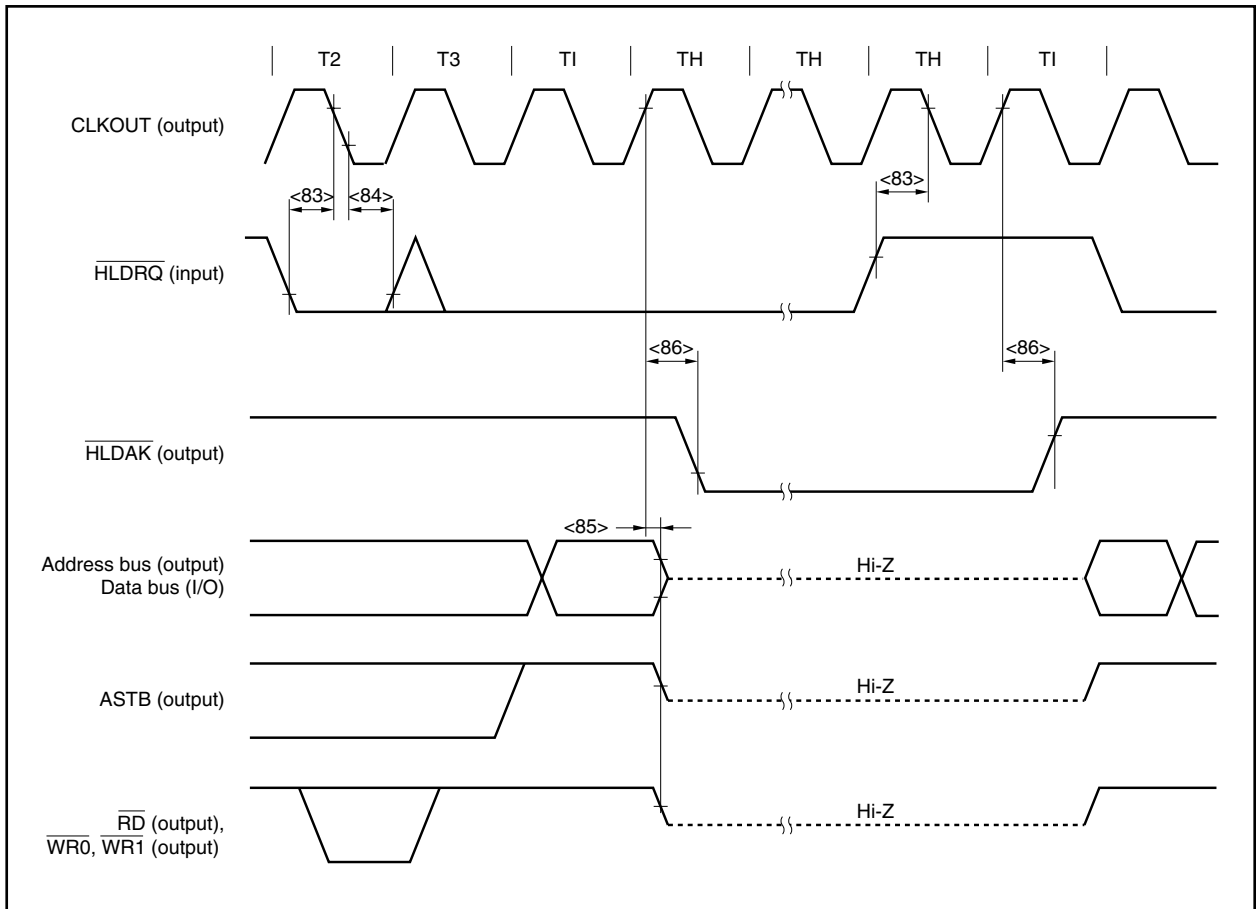
(b) CLKOUT synchronous

( $T_A = -40$  to  $+85^\circ\text{C}$ ,  $BV_{DD} \leq V_{DD} = EV_{DD} = AV_{REF0} = AV_{REF1}$ ,  $V_{SS} = EV_{SS} = BV_{SS} = AV_{SS} = 0$  V,  $C_L = 50$  pF)

| Parameter                                                        | Symbol            | Conditions | MIN. | MAX. | Unit |
|------------------------------------------------------------------|-------------------|------------|------|------|------|
| HLD $\overline{\text{RQ}}$ setup time (to CLKOUT $\downarrow$ )  | $t_{\text{SHQK}}$ | <83>       | 20   |      | ns   |
| HLD $\overline{\text{RQ}}$ hold time (from CLKOUT $\downarrow$ ) | $t_{\text{HKHQ}}$ | <84>       | 5    |      | ns   |
| Delay time from CLKOUT $\uparrow$ to bus float                   | $t_{\text{DKF}}$  | <85>       |      | 19   | ns   |
| Delay time from CLKOUT $\uparrow$ to HLD $\overline{\text{AK}}$  | $t_{\text{DKHA}}$ | <86>       |      | 19   | ns   |

**Remark** The values in the above specifications are values for when clocks with a 1:1 duty ratio are input from X1.

Bus Hold (CLKOUT Synchronous)



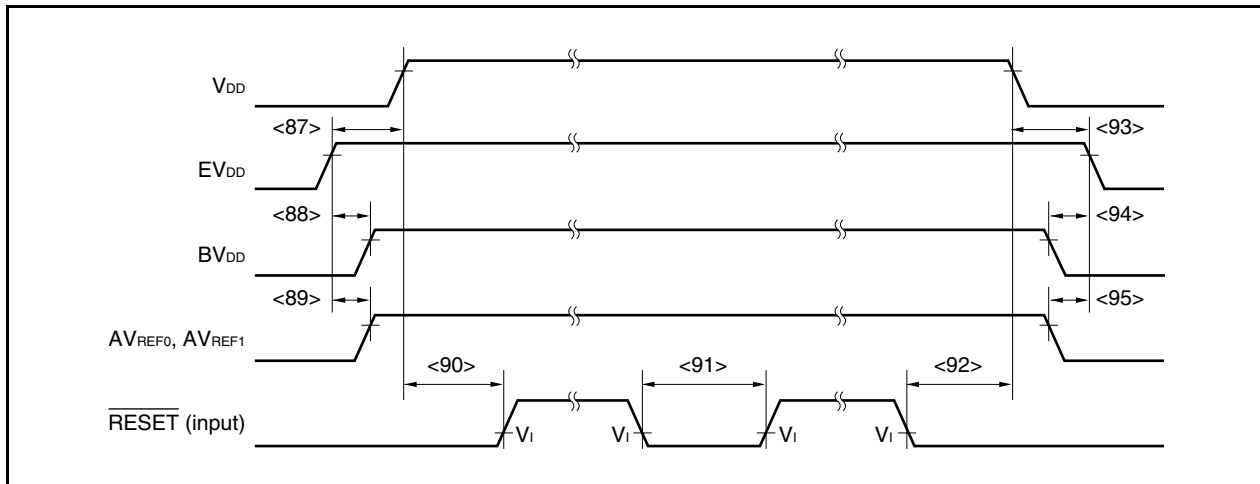
## 26.9 Basic Operation

### (1) Power on/power off/reset timing

( $T_A = -40$  to  $+85^\circ\text{C}$ ,  $V_{SS} = AV_{SS} = BV_{SS} = EV_{SS} = 0\text{ V}$ ,  $C_L = 50\text{ pF}$ )

| Parameter                                                      | Symbol          | Conditions               | MIN.                      | MAX.      | Unit |
|----------------------------------------------------------------|-----------------|--------------------------|---------------------------|-----------|------|
| $EV_{DD}\uparrow \rightarrow V_{DD}\uparrow$                   | $t_{REL}$ <87>  |                          | 0                         |           | ns   |
| $EV_{DD}\uparrow \rightarrow BV_{DD}\uparrow$                  | $t_{REB}$ <88>  |                          | 0                         | $t_{REL}$ | ns   |
| $EV_{DD}\uparrow \rightarrow AV_{REF0}, AV_{REF1}\uparrow$     | $t_{REA}$ <89>  |                          | 0                         | $t_{REL}$ | ns   |
| $EV_{DD}\uparrow \rightarrow \overline{RESET}\uparrow$         | $t_{RER}$ <90>  |                          | 500 +<br>$t_{REG}^{Note}$ |           | ns   |
| $\overline{RESET}$ low-level width                             | $t_{WRSL}$ <91> | Analog noise elimination | 500                       |           | ns   |
| $\overline{RESET}\downarrow \rightarrow V_{DD}\downarrow$      | $t_{FRE}$ <92>  |                          | 500                       |           | ns   |
| $V_{DD}\downarrow \rightarrow EV_{DD}\downarrow$               | $t_{FEL}$ <93>  |                          | 0                         |           | ns   |
| $BV_{DD}\downarrow \rightarrow EV_{DD}\downarrow$              | $t_{FEB}$ <94>  |                          | 0                         | $t_{FEL}$ | ns   |
| $AV_{REF0}, AV_{REF1}\downarrow \rightarrow EV_{DD}\downarrow$ | $t_{FEA}$ <95>  |                          | 0                         | $t_{FEL}$ | ns   |

**Note** Depends on the on-chip regulator characteristics.



### (2) Interrupt pin timing

( $T_A = -40$  to  $+85^\circ\text{C}$ ,  $BV_{DD} \leq V_{DD} = EV_{DD} = AV_{REF0} = AV_{REF1}$ ,  $V_{SS} = EV_{SS} = BV_{SS} = AV_{SS} = 0\text{ V}$ ,  $C_L = 50\text{ pF}$ )

| Parameter              | Symbol     | Conditions                                | MIN.            | MAX. | Unit |
|------------------------|------------|-------------------------------------------|-----------------|------|------|
| NMI high-level width   | $t_{WNIH}$ | Analog noise elimination                  | 500             |      | ns   |
| NMI low-level width    | $t_{WNIL}$ | Analog noise elimination                  | 500             |      | ns   |
| INTPn high-level width | $t_{WITH}$ | $n = 0$ to $7$ (Analog noise elimination) | 500             |      | ns   |
|                        |            | $n = 3$ (Digital noise elimination)       | $3T_{SMP} + 20$ |      | ns   |
| INTPn low-level width  | $t_{WITL}$ | $n = 0$ to $7$ (Analog noise elimination) | 500             |      | ns   |
|                        |            | $n = 3$ (Digital noise elimination)       | $3T_{SMP} + 20$ |      | ns   |

**Remark**  $T_{SMP}$ : Noise elimination sampling clock cycle

**(3) Key return timing**

( $T_A = -40$  to  $+85^\circ\text{C}$ ,  $BV_{DD} \leq V_{DD} = EV_{DD} = AV_{REF0} = AV_{REF1}$ ,  $V_{SS} = EV_{SS} = BV_{SS} = AV_{SS} = 0\text{ V}$ ,  $C_L = 50\text{ pF}$ )

| Parameter            | Symbol     | Conditions               | MIN. | MAX. | Unit |
|----------------------|------------|--------------------------|------|------|------|
| KRn high-level width | $t_{WKRH}$ | Analog noise elimination | 500  |      | ns   |
| KRn low-level width  | $t_{WKRL}$ | Analog noise elimination | 500  |      | ns   |

**Remark** n = 0 to 7

**(4) Timer timing**

( $T_A = -40$  to  $+85^\circ\text{C}$ ,  $BV_{DD} \leq V_{DD} = EV_{DD} = AV_{REF0} = AV_{REF1}$ ,  $V_{SS} = EV_{SS} = BV_{SS} = AV_{SS} = 0\text{ V}$ ,  $C_L = 50\text{ pF}$ )

| Parameter           | Symbol    | Conditions                                                                | MIN.      | MAX. | Unit |
|---------------------|-----------|---------------------------------------------------------------------------|-----------|------|------|
| TI high-level width | $t_{TIH}$ | TIP00, TIP01, TIP10, TIP11, TIP20, TIP21,                                 | $2T + 20$ |      | ns   |
| TI low-level width  | $t_{TIL}$ | TIP30, TIP31, TIP40, TIP41, TIP50 <sup>Note</sup> , TIP51 <sup>Note</sup> | $2T + 20$ |      | ns   |

<R>

<R>

**Note**  $\mu\text{PD703253Y}$  only

**Remark**  $T = 1/f_{xx}$

**(5) UART timing**

( $T_A = -40$  to  $+85^\circ\text{C}$ ,  $BV_{DD} \leq V_{DD} = EV_{DD} = AV_{REF0} = AV_{REF1}$ ,  $V_{SS} = EV_{SS} = BV_{SS} = AV_{SS} = 0\text{ V}$ ,  $C_L = 50\text{ pF}$ )

| Parameter        | Symbol | Conditions | MIN. | MAX.  | Unit |
|------------------|--------|------------|------|-------|------|
| Transmit rate    |        |            |      | 312.5 | kbps |
| ASCK0 cycle time |        |            |      | 10    | MHz  |

(6) CSIB timing

(a) Master mode

( $T_A = -40$  to  $+85^\circ\text{C}$ ,  $BV_{DD} \leq V_{DD} = EV_{DD} = AV_{REF0} = AV_{REF1}$ ,  $V_{SS} = EV_{SS} = BV_{SS} = AV_{SS} = 0$  V,  $C_L = 50$  pF)

| Parameter                                                          | Symbol                   | Conditions | MIN.             | MAX. | Unit |
|--------------------------------------------------------------------|--------------------------|------------|------------------|------|------|
| SCKBn cycle time                                                   | $t_{KCY1}$               | <96>       | 125              |      | ns   |
| SCKBn high-/low-level width                                        | $t_{KH1}$ ,<br>$t_{KL1}$ | <97>       | $t_{KCY1}/2 - 5$ |      | ns   |
| SIBn setup time (to $\overline{\text{SCKBn}}\uparrow$ )            | $t_{SIK1}$               | <98>       | 30               |      | ns   |
| SIBn hold time (from $\overline{\text{SCKBn}}\uparrow$ )           | $t_{KSI1}$               | <99>       | 30               |      | ns   |
| Delay time from $\overline{\text{SCKBn}}\downarrow$ to SOBn output | $t_{KSO1}$               | <100>      |                  | 30   | ns   |

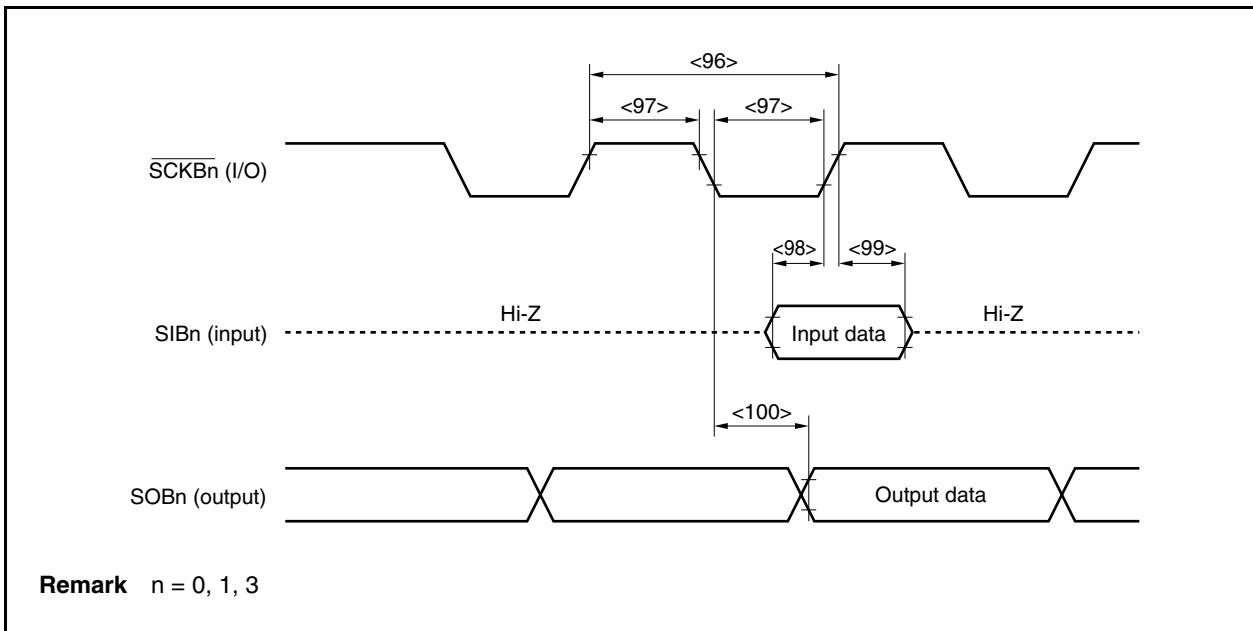
Remark n = 0, 1, 3

(b) Slave mode

( $T_A = -40$  to  $+85^\circ\text{C}$ ,  $BV_{DD} \leq V_{DD} = EV_{DD} = AV_{REF0} = AV_{REF1}$ ,  $V_{SS} = EV_{SS} = BV_{SS} = AV_{SS} = 0$  V,  $C_L = 50$  pF)

| Parameter                                                          | Symbol                   | Conditions | MIN. | MAX. | Unit |
|--------------------------------------------------------------------|--------------------------|------------|------|------|------|
| SCKBn cycle time                                                   | $t_{KCY2}$               | <96>       | 125  |      | ns   |
| SCKBn high-/low-level width                                        | $t_{KH2}$ ,<br>$t_{KL2}$ | <97>       | 57.5 |      | ns   |
| SIBn setup time (to $\overline{\text{SCKBn}}\uparrow$ )            | $t_{SIK2}$               | <98>       | 30   |      | ns   |
| SIBn hold time (from $\overline{\text{SCKBn}}\uparrow$ )           | $t_{KSI2}$               | <99>       | 30   |      | ns   |
| Delay time from $\overline{\text{SCKBn}}\downarrow$ to SOBn output | $t_{KSO2}$               | <100>      |      | 30   | ns   |

Remark n = 0, 1, 3

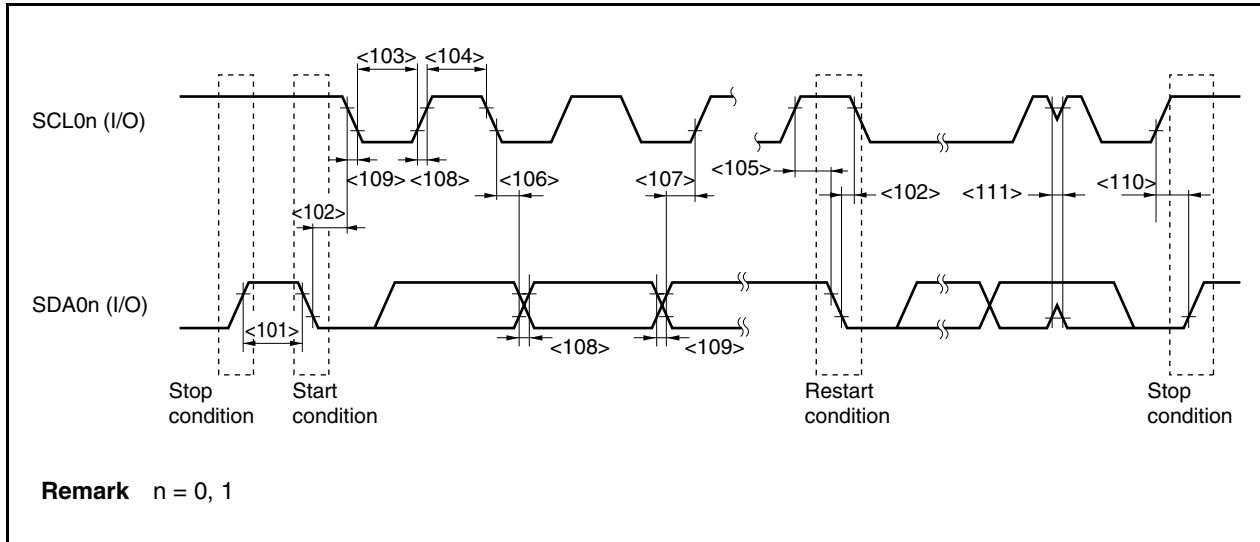


(7) I<sup>2</sup>C bus mode(T<sub>A</sub> = -40 to +85°C, BV<sub>DD</sub> ≤ V<sub>DD</sub> = EV<sub>DD</sub> = AV<sub>REF0</sub> = AV<sub>REF1</sub>, V<sub>SS</sub> = EV<sub>SS</sub> = BV<sub>SS</sub> = AV<sub>SS</sub> = 0 V, C<sub>L</sub> = 50 pF)

| Parameter                                            | Symbol                 |                      | Normal Mode |      | High-Speed Mode              |      | Unit |
|------------------------------------------------------|------------------------|----------------------|-------------|------|------------------------------|------|------|
|                                                      |                        |                      | MIN.        | MAX. | MIN.                         | MAX. |      |
| SCL0n clock frequency                                | f <sub>CLK</sub>       |                      | 0           | 100  | 0                            | 400  | kHz  |
| Bus free time<br>(Between start and stop conditions) | t <sub>BUF</sub>       | <101>                | 4.7         | –    | 1.3                          | –    | μs   |
| Hold time <sup>Note 1</sup>                          | t <sub>HD: STA</sub>   | <102>                | 4.0         | –    | 0.6                          | –    | μs   |
| SCL0n clock low-level width                          | t <sub>LOW</sub>       | <103>                | 4.7         | –    | 1.3                          | –    | μs   |
| SCL0n clock high-level width                         | t <sub>HIGH</sub>      | <104>                | 4.0         | –    | 0.6                          | –    | μs   |
| Setup time for start/restart conditions              | t <sub>SU: STA</sub>   | <105>                | 4.7         | –    | 0.6                          | –    | μs   |
| Data hold time                                       | CBUS compatible master | t <sub>HD: DAT</sub> | 5.0         | –    | –                            | –    | μs   |
|                                                      | I <sup>2</sup> C mode  |                      |             |      |                              |      |      |
| Data setup time                                      | t <sub>SU: DAT</sub>   | <107>                | 250         | –    | 100 <sup>Note 4</sup>        | –    | ns   |
| SDA0n and SCL0n signal rise time                     | t <sub>R</sub>         | <108>                | –           | 1000 | 20 + 0.1Cb <sup>Note 5</sup> | 300  | ns   |
| SDA0n and SCL0n signal fall time                     | t <sub>F</sub>         | <109>                | –           | 300  | 20 + 0.1Cb <sup>Note 5</sup> | 300  | ns   |
| Stop condition setup time                            | t <sub>SU: STO</sub>   | <110>                | 4.0         | –    | 0.6                          | –    | μs   |
| Pulse width of spike suppressed by input filter      | t <sub>SP</sub>        | <111>                | –           | –    | 0                            | 50   | ns   |
| Capacitance load of each bus line                    | Cb                     |                      | –           | 400  | –                            | 400  | pF   |

- Notes**
- At the start condition, the first clock pulse is generated after the hold time.
  - The system requires a minimum of 300 ns hold time internally for the SDA0n signal (at V<sub>IHmin.</sub> of SCL0n signal) in order to occupy the undefined area at the falling edge of SCL0n.
  - If the system does not extend the SCL0n signal low hold time (t<sub>LOW</sub>), only the maximum data hold time (t<sub>HD:DAT</sub>) needs to be satisfied.
  - The high-speed mode I<sup>2</sup>C bus can be used in the normal-mode I<sup>2</sup>C bus system. In this case, set the high-speed mode I<sup>2</sup>C bus so that it meets the following conditions.
    - If the system does not extend the SCL0n signal's low state hold time:
 
$$t_{SU:DAT} \geq 250 \text{ ns}$$
    - If the system extends the SCL0n signal's low state hold time:
 
$$\text{Transmit the following data bit to the SDA0n line prior to the SCL0n line release (} t_{Rmax.} + t_{SU:DAT} = 1,000 + 250 = 1,250 \text{ ns: Normal mode I}^2\text{C bus specification).}$$
  - Cb: Total capacitance of one bus line (unit: pF)

**Remark** n = 0, 1



**(8) IEBus controller ( $\mu$ PD703252Y only)**

( $T_A = -40$  to  $+85^\circ\text{C}$ ,  $BV_{DD} \leq V_{DD} = EV_{DD} = AV_{REF0} = AV_{REF1}$ ,  $V_{SS} = EV_{SS} = BV_{SS} = AV_{SS} = 0$  V,  $C_L = 50$  pF)

| Parameter                    | Symbol         | Conditions                     | MIN. | TYP.                 | MAX. | Unit |
|------------------------------|----------------|--------------------------------|------|----------------------|------|------|
| IEBus system clock frequency | f <sub>s</sub> | Communication mode: Modes 1, 2 | 5.91 | 6.00 <sup>Note</sup> | 6.09 | MHz  |
|                              |                |                                | 6.20 | 6.29 <sup>Note</sup> | 6.38 | MHz  |

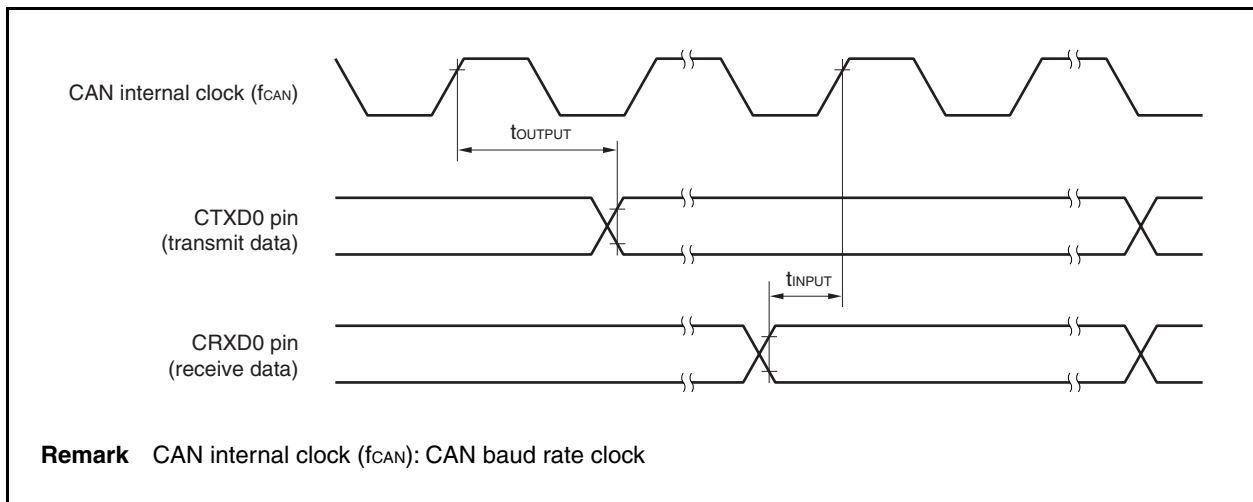
**Note** IEBus system clock frequencies 6.0 MHz and 6.29 MHz cannot be used together.



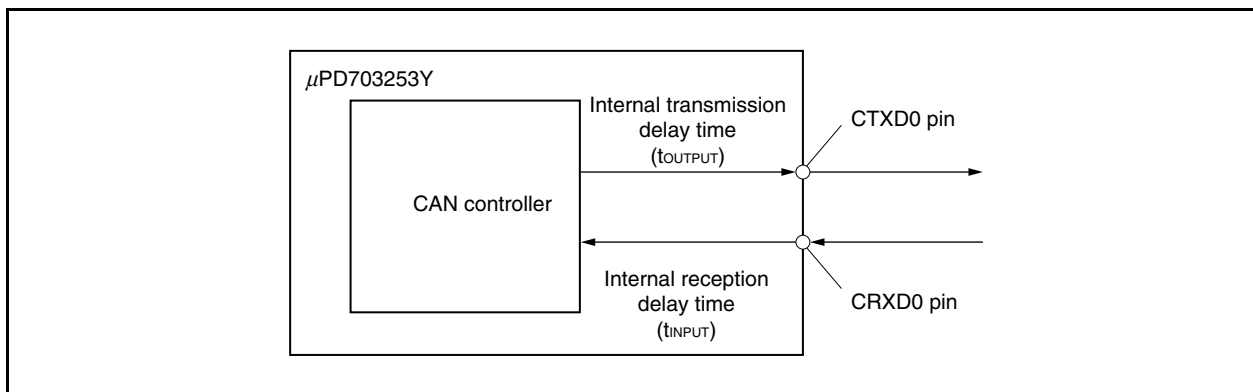
<R> (9) CAN timing ( $\mu$ PD703253Y only)

( $T_A = -40$  to  $+85^\circ\text{C}$ ,  $BV_{DD} \leq V_{DD} = EV_{DD} = AV_{REF0} = AV_{REF1}$ ,  $V_{SS} = EV_{SS} = BV_{SS} = AV_{SS} = 0\text{ V}$ ,  $C_L = 50\text{ pF}$ )

| Parameter           | Symbol     | Conditions | MIN. | MAX. | Unit |
|---------------------|------------|------------|------|------|------|
| Transmit rate       |            |            |      | 1    | Mbps |
| Internal delay time | $t_{NODE}$ |            |      | 100  | ns   |



Internal delay time ( $t_{NODE}$ ) = Internal transmission delay time ( $t_{OUTPUT}$ ) + Internal reception delay time ( $t_{INPUT}$ )



**(10) A/D converter**

( $T_A = -40$  to  $+85^\circ\text{C}$ ,  $BV_{DD} \leq V_{DD} = EV_{DD} = AV_{REF0} = AV_{REF1}$ ,  $3.0\text{ V} \leq AV_{REF0} \leq 3.6\text{ V}$ ,  $V_{SS} = EV_{SS} = BV_{SS} = AV_{SS} = 0\text{ V}$ ,  $C_L = 50\text{ pF}$ )

| Parameter                     | Symbol      | Conditions                             | MIN.      | TYP. | MAX.        | Unit          |
|-------------------------------|-------------|----------------------------------------|-----------|------|-------------|---------------|
| Resolution                    |             |                                        |           |      | 10          | bit           |
| Overall error <sup>Note</sup> |             | $3.0 \leq AV_{REF0} \leq 3.6\text{ V}$ |           |      | $\pm 0.6$   | %FSR          |
| Conversion time               | $t_{CONV}$  |                                        | 2.6       |      | 24          | $\mu\text{s}$ |
| Zero scale error              |             |                                        |           |      | $\pm 0.5$   | %FSR          |
| Full scale error              |             |                                        |           |      | $\pm 0.5$   | %FSR          |
| Non-linearity error           |             |                                        |           |      | $\pm 4.0$   | LSB           |
| Differential linearity error  |             |                                        |           |      | $\pm 4.0$   | LSB           |
| Analog input voltage          | $V_{IAN}$   |                                        | $AV_{SS}$ |      | $AV_{REF0}$ | V             |
| Reference voltage             | $AV_{REF0}$ |                                        | 3.0       |      | 3.6         | V             |
| $AV_{REF0}$ current           | $AI_{REF0}$ | Normal conversion mode                 |           | 3    | 6.5         | mA            |
|                               |             | High-speed conversion mode             |           | 4    | 10          | mA            |
|                               |             | When A/D converter unused              |           |      | 5           | $\mu\text{A}$ |

**Note** Excluding quantization error ( $\pm 0.05\%$ FSR).

**Caution** Do not set (read/write) alternate-function ports during A/D conversion; otherwise the conversion resolution may be degraded.

**Remark** LSB: Least Significant Bit  
FSR: Full Scale Range

**<R> (11) D/A converter ( $\mu\text{PD703253Y}$  only)**

( $T_A = -40$  to  $+85^\circ\text{C}$ ,  $BV_{DD} \leq V_{DD} = EV_{DD} = AV_{REF0} = AV_{REF1}$ ,  $3.0\text{ V} \leq AV_{REF1} \leq 3.6\text{ V}$ ,  $V_{SS} = EV_{SS} = BV_{SS} = AV_{SS} = 0\text{ V}$ ,  $C_L = 50\text{ pF}$ )

| Parameter                             | Symbol      | Conditions               | MIN. | TYP. | MAX.      | Unit             |
|---------------------------------------|-------------|--------------------------|------|------|-----------|------------------|
| Resolution                            |             |                          |      |      | 8         | bit              |
| Overall error <sup>Note 1</sup>       |             | $R = 2\text{ M}\Omega$   |      |      | $\pm 1.2$ | %FSR             |
| Settling time                         |             | $C = 20\text{ pF}$       |      |      | 3         | $\mu\text{s}$    |
| Output resistor                       | $R_o$       | Output data 55H          |      | 3.5  |           | $\text{k}\Omega$ |
| Reference voltage                     | $AV_{REF1}$ |                          | 3.0  |      | 3.6       | V                |
| $AV_{REF1}$ current <sup>Note 2</sup> | $AI_{REF1}$ | D/A conversion operating |      | 1    | 2.5       | mA               |
|                                       |             | D/A conversion stopped   |      |      | 5         | $\mu\text{A}$    |

**Notes** 1. Excluding quantization error ( $\pm 0.5$  LSB).  
2. Value of 1 channel of D/A converter

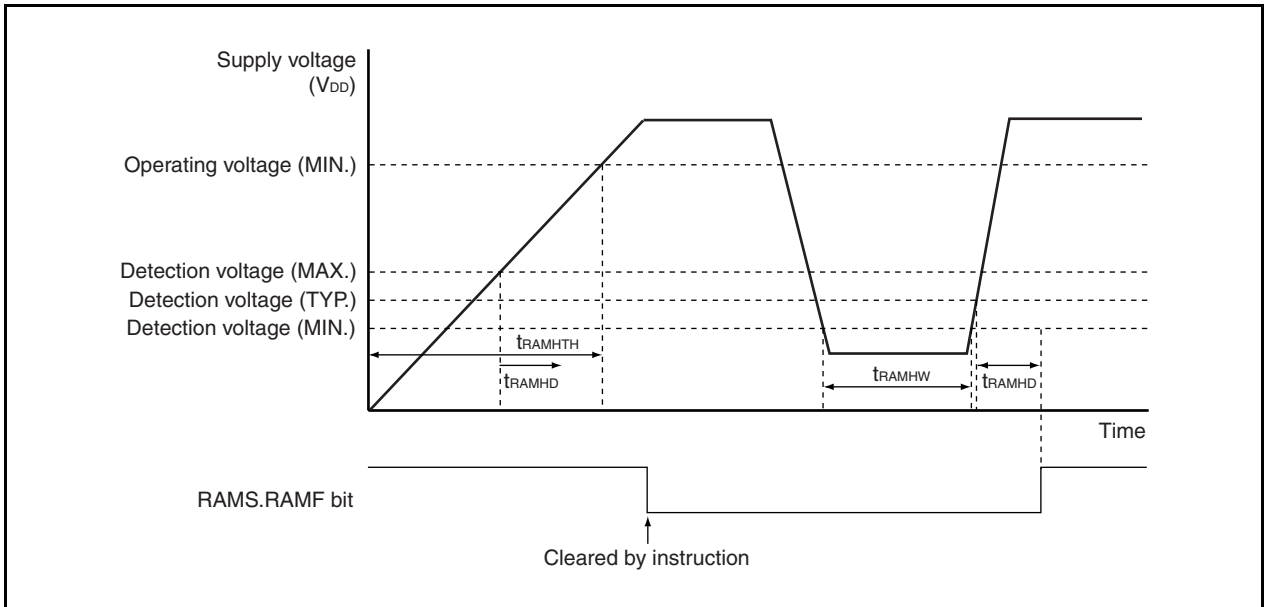
**Remark** R is the output pin load resistance and C is the output pin load capacitance.

<R> (12) RAM retention detection ( $\mu$ PD703253Y only)

( $T_A = -40$  to  $+85^\circ\text{C}$ ,  $BV_{DD} \leq V_{DD} = EV_{DD} = AV_{REF0} = AV_{REF1}$ ,  $V_{SS} = EV_{SS} = BV_{SS} = AV_{SS} = 0$  V,  $C_L = 50$  pF)

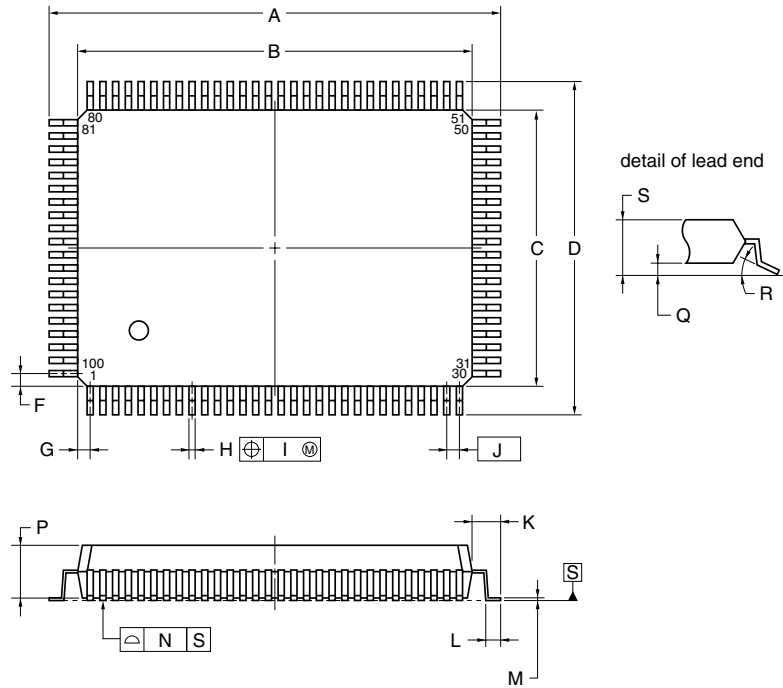
| Parameter                     | Symbol       | Conditions                   | MIN.  | TYP. | MAX. | Unit |
|-------------------------------|--------------|------------------------------|-------|------|------|------|
| Detection voltage             | $V_{RAMH}$   |                              | 1.9   | 2.0  | 2.1  | V    |
| Supply voltage rise time      | $t_{RAMHTH}$ | $V_{DD} = 0$ to 2.85 V       | 0.002 |      |      | ms   |
| Response time <sup>Note</sup> | $t_{RAMHD}$  | After $V_{DD}$ reaches 2.1 V |       | 0.2  | 2.0  | ms   |
| Minimum pulse width           | $t_{RAMHW}$  |                              | 0.2   |      |      | ms   |

**Note** Time required to detect the detection voltage and set the RAMS.RAMF bit.



## CHAPTER 27 PACKAGE DRAWING

### 100-PIN PLASTIC QFP (14x20)



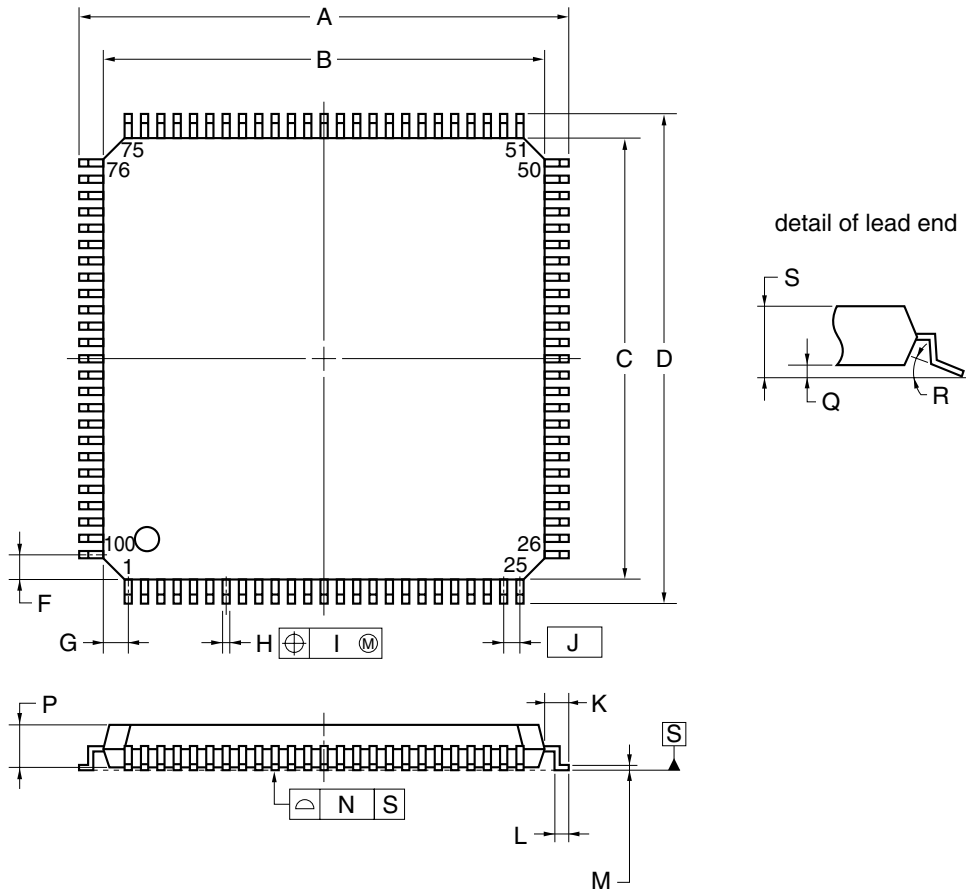
**NOTE**

Each lead centerline is located within 0.13 mm of its true position (T.P.) at maximum material condition.

| ITEM | MILLIMETERS                              |
|------|------------------------------------------|
| A    | 23.2±0.2                                 |
| B    | 20.0±0.2                                 |
| C    | 14.0±0.2                                 |
| D    | 17.2±0.2                                 |
| F    | 0.825                                    |
| G    | 0.575                                    |
| H    | 0.32 <sup>+0.08</sup> / <sub>-0.07</sub> |
| I    | 0.13                                     |
| J    | 0.65 (T.P.)                              |
| K    | 1.6±0.2                                  |
| L    | 0.8±0.2                                  |
| M    | 0.17 <sup>+0.06</sup> / <sub>-0.05</sub> |
| N    | 0.10                                     |
| P    | 2.7±0.1                                  |
| Q    | 0.125±0.075                              |
| R    | 3° <sup>+7°</sup> / <sub>-3°</sub>       |
| S    | 3.0 MAX.                                 |

**S100GF-65-JBT-2**

100-PIN PLASTIC LQFP (FINE PITCH) (14x14)



**NOTE**

Each lead centerline is located within 0.08 mm of its true position (T.P.) at maximum material condition.

| ITEM | MILLIMETERS                            |
|------|----------------------------------------|
| A    | 16.00±0.20                             |
| B    | 14.00±0.20                             |
| C    | 14.00±0.20                             |
| D    | 16.00±0.20                             |
| F    | 1.00                                   |
| G    | 1.00                                   |
| H    | 0.22 <sup>+0.05</sup> <sub>-0.04</sub> |
| I    | 0.08                                   |
| J    | 0.50 (T.P.)                            |
| K    | 1.00±0.20                              |
| L    | 0.50±0.20                              |
| M    | 0.17 <sup>+0.03</sup> <sub>-0.07</sub> |
| N    | 0.08                                   |
| P    | 1.40±0.05                              |
| Q    | 0.10±0.05                              |
| R    | 3° <sup>+7°</sup> <sub>-3°</sub>       |
| S    | 1.60 MAX.                              |

S100GC-50-8EU, 8EA-2

## CHAPTER 28 RECOMMENDED SOLDERING CONDITIONS

These products should be soldered and mounted under the following recommended conditions.  
For technical information, see the following website.

Semiconductor Device Mount Manual (<http://www.necel.com/pkg/en/mount/index.html>)

**Table 28-1. Surface Mounting Type Soldering Conditions**

$\mu$ PD703249YGF-xxx-JBT-A: 100-pin plastic QFP (14 × 20)  
 $\mu$ PD703249YGC-xxx-8EA-A: 100-pin plastic LQFP (fine pitch) (14 × 14)  
 $\mu$ PD703252YGF-xxx-JBT-A: 100-pin plastic QFP (14 × 20)  
 $\mu$ PD703252YGC-xxx-8EA-A: 100-pin plastic LQFP (fine pitch) (14 × 14)  
 $\mu$ PD703253YGC-xxx-8EA-A: 100-pin plastic LQFP (fine pitch) (14 × 14)

| Soldering Method | Soldering Conditions                                                                                                                                                                          | Recommended Condition Symbol |
|------------------|-----------------------------------------------------------------------------------------------------------------------------------------------------------------------------------------------|------------------------------|
| Infrared reflow  | Package peak temperature: 260°C, Time: 60 seconds max. (at 220°C or higher), Count: 3 times or less, Exposure limit: 7 days <sup>Note</sup> (after that, prebake at 125°C for 20 to 72 hours) | IR60-207-3                   |
| Wave soldering   | For details, contact an NEC Electronics sales representative.                                                                                                                                 | —                            |
| Partial heating  | Pin temperature: 350°C max., Time: 3 seconds max. (per pin row)                                                                                                                               | —                            |

**Note** After opening the dry pack, store it at 25°C or less and 65% RH or less for the allowable storage period.

**Caution** Do not use different soldering methods together (except for partial heating).

**Remarks 1.** The V850ES/SG1 is lead-free products.

**2.** For soldering methods and conditions other than those recommended, please contact an NEC Electronics sales representative.

## APPENDIX A DEVELOPMENT TOOLS

The following development tools are available for the development of systems that employ the V850ES/SG1. Figure A-1 shows the development tool configuration.

- **Support for PC98-NX series**

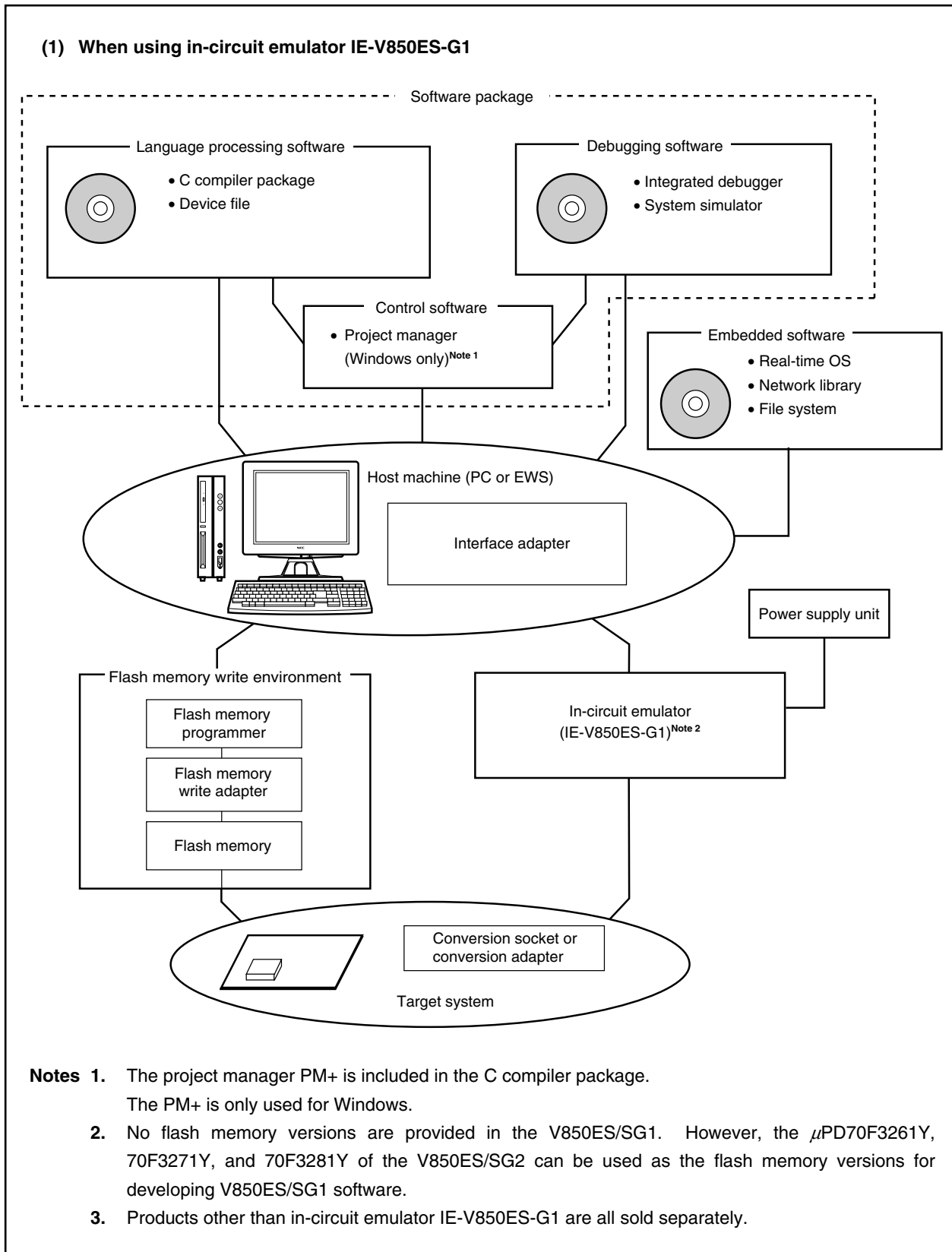
Unless otherwise specified, products supported by IBM PC/AT™ compatibles are compatible with PC98-NX series computers. When using PC98-NX series computers, refer to the explanation for IBM PC/AT compatibles.

- **Windows™**

Unless otherwise specified, “Windows” means the following OSs.

- Windows 98, 2000
- Windows Me
- Windows XP
- Windows NT™ Ver. 4.0

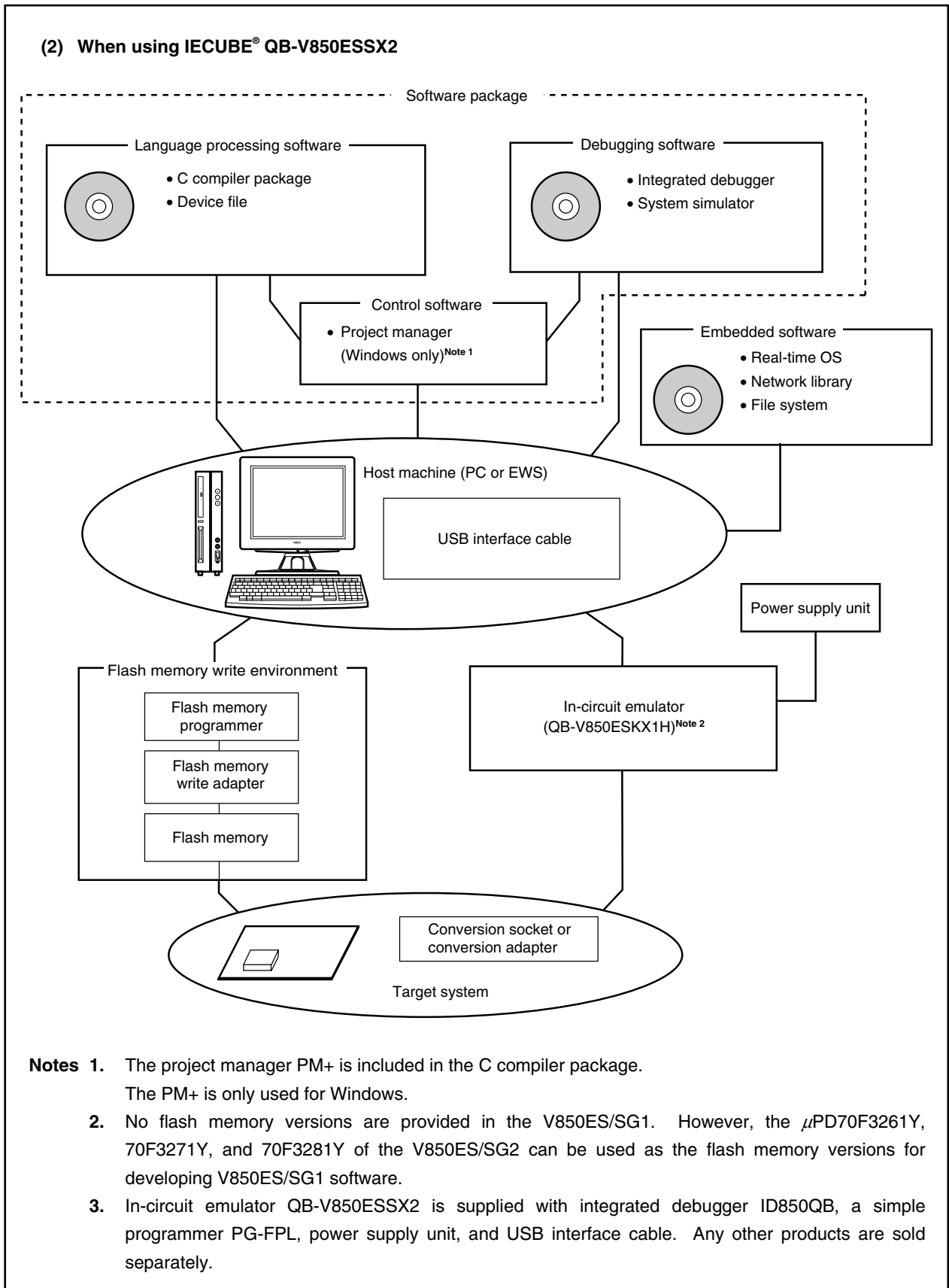
Figure A-1. Development Tool Configuration (1/4)



<R>



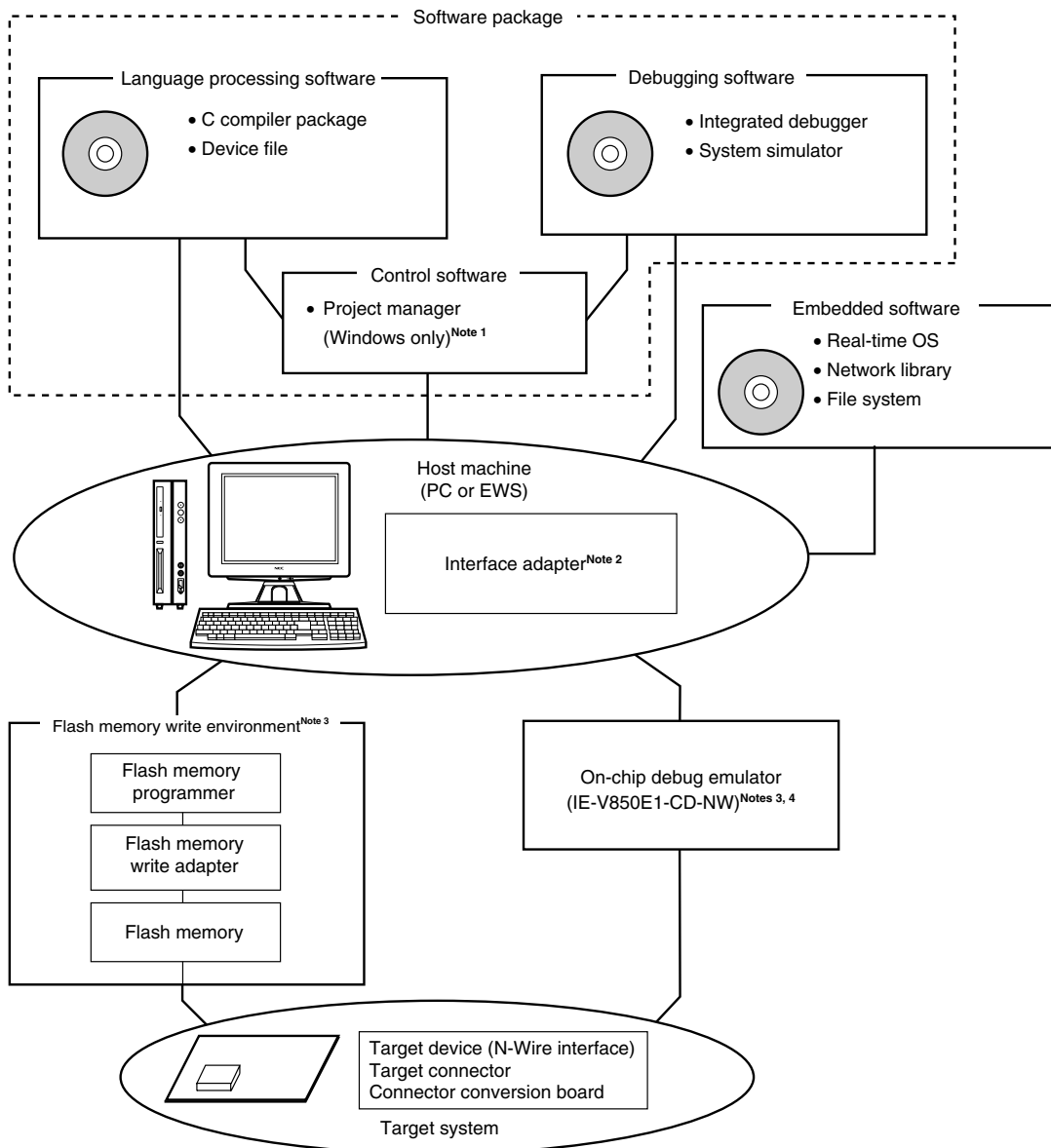
Figure A-1. Development Tool Configuration (2/4)



&lt;R&gt;

Figure A-1. Development Tool Configuration (3/4)

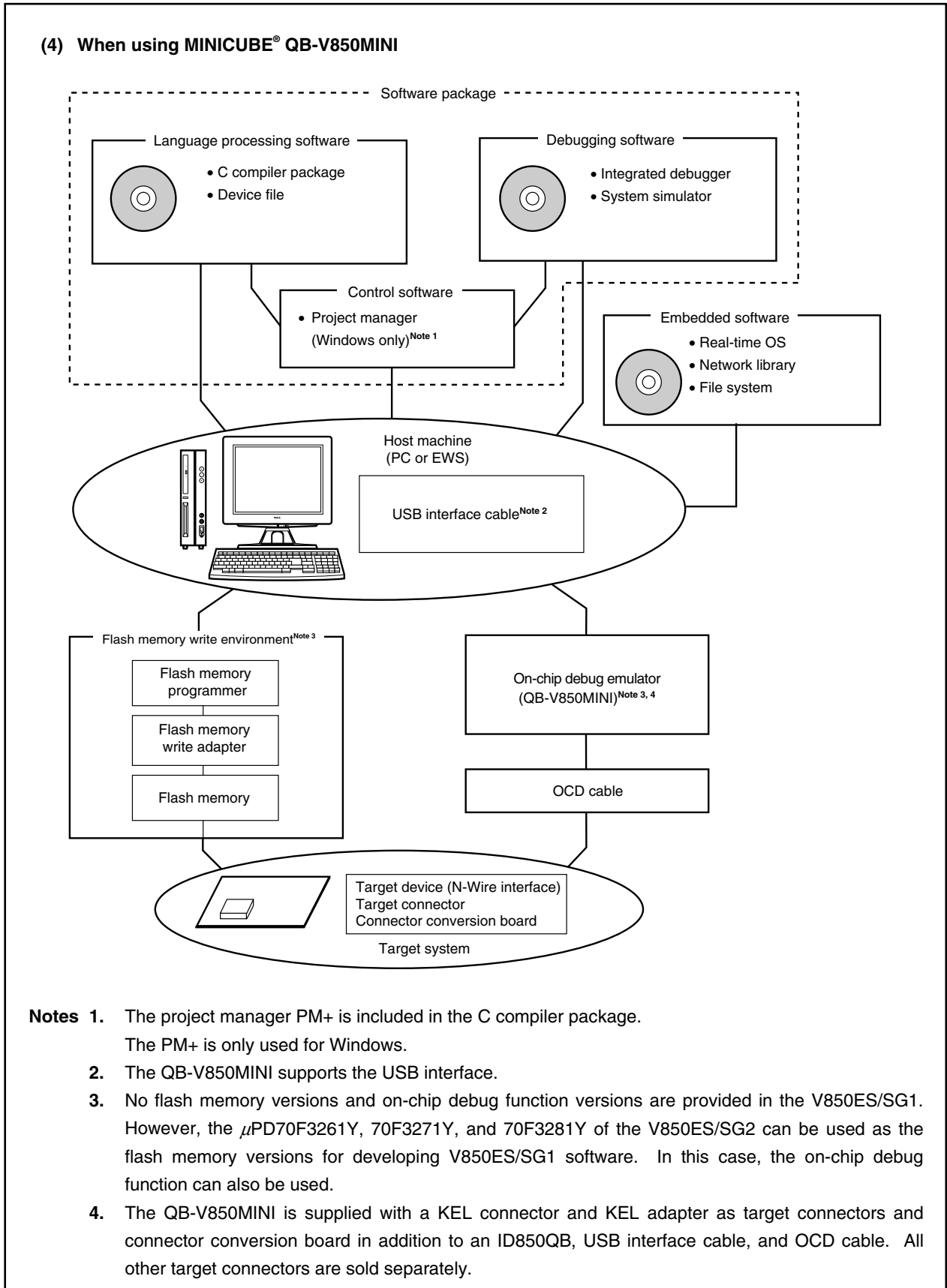
&lt;R&gt;

**(3) When using on-chip debug emulator IE-V850E1-CD-NW**

- Notes**
1. The project manager PM+ is included in the C compiler package. The PM+ is only used for Windows.
  2. The IE-V850E1-CD-NW supports only the PCMCIA card interface.
  3. No flash memory versions and on-chip debug function versions are provided in the V850ES/SG1. However, the  $\mu$ PD70F3261Y, 70F3271Y, and 70F3281Y of the V850ES/SG2 can be used as the flash memory versions for developing V850ES/SG1 software. In this case, the on-chip debug function can also be used.
  4. The IE-V850E1-CD-NW is supplied with an ID850QB, IE connection cable, IE connector, and connector conversion board. All other products are sold separately.

Figure A-1. Development Tool Configuration (4/4)

&lt;R&gt;



### A.1 Software Package

|                                                |                                                                                               |
|------------------------------------------------|-----------------------------------------------------------------------------------------------|
| SP850<br>V850 microcontroller software package | Development tools (software) common to the V850 microcontroller are combined in this package. |
|                                                | Part number: $\mu$ SxxxxSP850                                                                 |

**Remark** xxxx in the part number differs depending on the host machine and OS used.

$\mu$ SxxxxSP850

| xxxx | Host Machine                             | OS                         | Supply Medium |
|------|------------------------------------------|----------------------------|---------------|
| AB17 | PC-9800 series,<br>IBM PC/AT compatibles | Windows (Japanese version) | CD-ROM        |
| BB17 |                                          | Windows (English version)  |               |

### A.2 Language Processing Software

|                                       |                                                                                                                                                                                                                          |
|---------------------------------------|--------------------------------------------------------------------------------------------------------------------------------------------------------------------------------------------------------------------------|
| CA850<br>C compiler package           | This compiler converts programs written in C language into object codes executable with a microcontroller. This compiler is started from project manager PM+.                                                            |
|                                       | Part number: $\mu$ SxxxxCA703000                                                                                                                                                                                         |
| <R> DF703252/DF703253 <sup>Note</sup> | This file contains information peculiar to the device.<br>This device file should be used in combination with a tool (CA850 or ID850).<br>The corresponding OS and host machine differ depending on the tool to be used. |
| <R> Device file                       |                                                                                                                                                                                                                          |

**Note**  $\mu$ PD703249Y, 703252Y: DF703252

<R>  $\mu$ PD703253Y: DF703253

**Remark** xxxx in the part number differs depending on the host machine and OS used.

$\mu$ SxxxxCA703000

| xxxx | Host Machine                             | OS                                            | Supply Medium |
|------|------------------------------------------|-----------------------------------------------|---------------|
| AB17 | PC-9800 series,<br>IBM PC/AT compatibles | Windows (Japanese version)                    | CD-ROM        |
| BB17 |                                          | Windows (English version)                     |               |
| 3K17 | SPARCstation™                            | SunOS™ (Rel. 4.1.4),<br>Solaris™ (Rel. 2.5.1) |               |

### A.3 Control Software

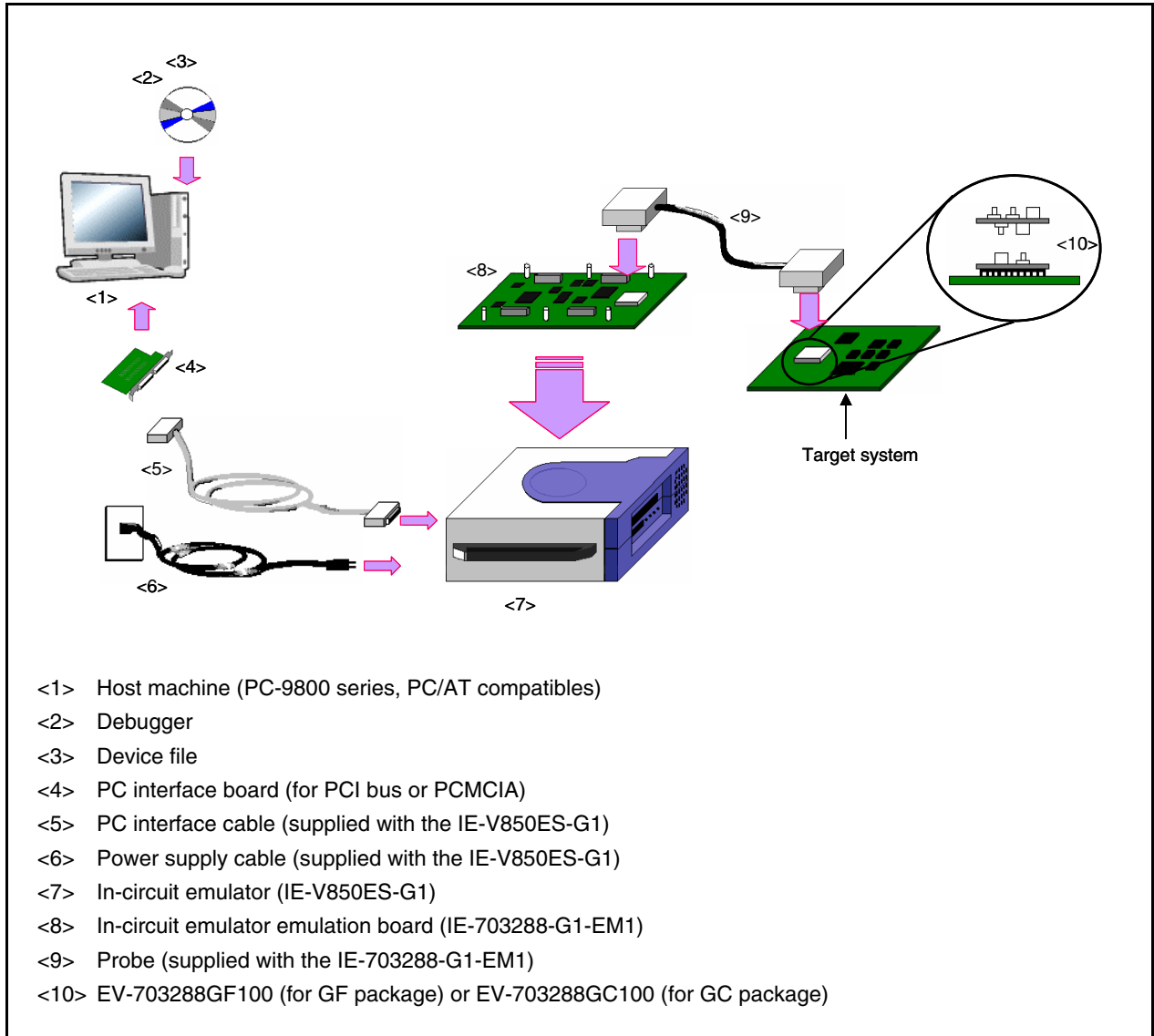
|                        |                                                                                                                                                                                                                                                                                                                                                                                |
|------------------------|--------------------------------------------------------------------------------------------------------------------------------------------------------------------------------------------------------------------------------------------------------------------------------------------------------------------------------------------------------------------------------|
| PM+<br>Project manager | This is control software designed to enable efficient user program development in the Windows environment. All operations used in development of a user program, such as starting the editor, building, and starting the debugger, can be performed from PM+.<br><b>&lt;Caution&gt;</b><br>PM+ is included in the C compiler package CA850.<br>It can only be used in Windows. |
|------------------------|--------------------------------------------------------------------------------------------------------------------------------------------------------------------------------------------------------------------------------------------------------------------------------------------------------------------------------------------------------------------------------|

## A.4 Debugging Tools (Hardware)

### A.4.1 When using in-circuit emulator IE-V850ES-G1

The system configuration when connecting the IE-703288-G1-EM1 to the IE-V850ES-G1 and use it connecting to the host machine (PC-9800 series, PC/AT compatible) is shown below.

Figure A-2. System Configuration (IE-V850ES-G1 Used)



|                                            |                                                                                                                                                                                                                                                                                                                                                                  |
|--------------------------------------------|------------------------------------------------------------------------------------------------------------------------------------------------------------------------------------------------------------------------------------------------------------------------------------------------------------------------------------------------------------------|
| <7> IE-V850ES-G1<br>In-circuit emulator    | The in-circuit emulator serves to debug hardware and software when developing application systems using a V850 microcontroller product. It corresponds to the integrated debugger ID850. This emulator should be used in combination with a power supply unit, emulation probe, and the interface adapter required to connect this emulator to the host machine. |
| <4> IE-70000-CD-IF-A<br>PC card interface  | This is PC card and interface cable required when using a notebook-type computer as the host machine (PCMCIA socket compatible).                                                                                                                                                                                                                                 |
| <4> IE-70000-PCI-IF-A<br>Interface adapter | This adapter is required when using a computer with a PCI bus as the host machine.                                                                                                                                                                                                                                                                               |
| <8> IE-703288-G1-EM1<br>Emulation board    | This board emulates the operations of the peripheral hardware peculiar to a device. It should be used in combination with an in-circuit emulator.                                                                                                                                                                                                                |
| <9> GXP-CABLE<br>Emulation probe           | This probe is used to connect the in-circuit emulator and target system. This is supplied with emulation board IE-703288-G1-EM1.                                                                                                                                                                                                                                 |
| <10> EV-703288GF100<br>Conversion adapter  | This conversion adapter is used to connect the emulation probe and target system board on which a 100-pin plastic LQFP (GF-JBT type) can be mounted.                                                                                                                                                                                                             |
| <10> EV-703288GC100<br>Conversion adapter  | This conversion adapter is used to connect the emulation probe and target system board on which a 100-pin plastic LQFP (GC-8EA type) can be mounted.                                                                                                                                                                                                             |

- Remarks**
1. The numbers in the square brackets correspond to the numbers in Figure A-2.
  2. EV-703288GF100 and EV-703288GC100 are products of Application Corporation.  
TEL: +81-42-732-1377 Application Corporation

**A.4.2 When using IECUBE QB-V850ESSX2**

The system configuration when connecting the QB-V850ESSX2 to the host machine (PC-9821 series, PC/AT compatible) is shown below. If no option products are prepared, connection is possible.

**Figure A-3. System Configuration (QB-V850ESSX2 Used) (1/2)**

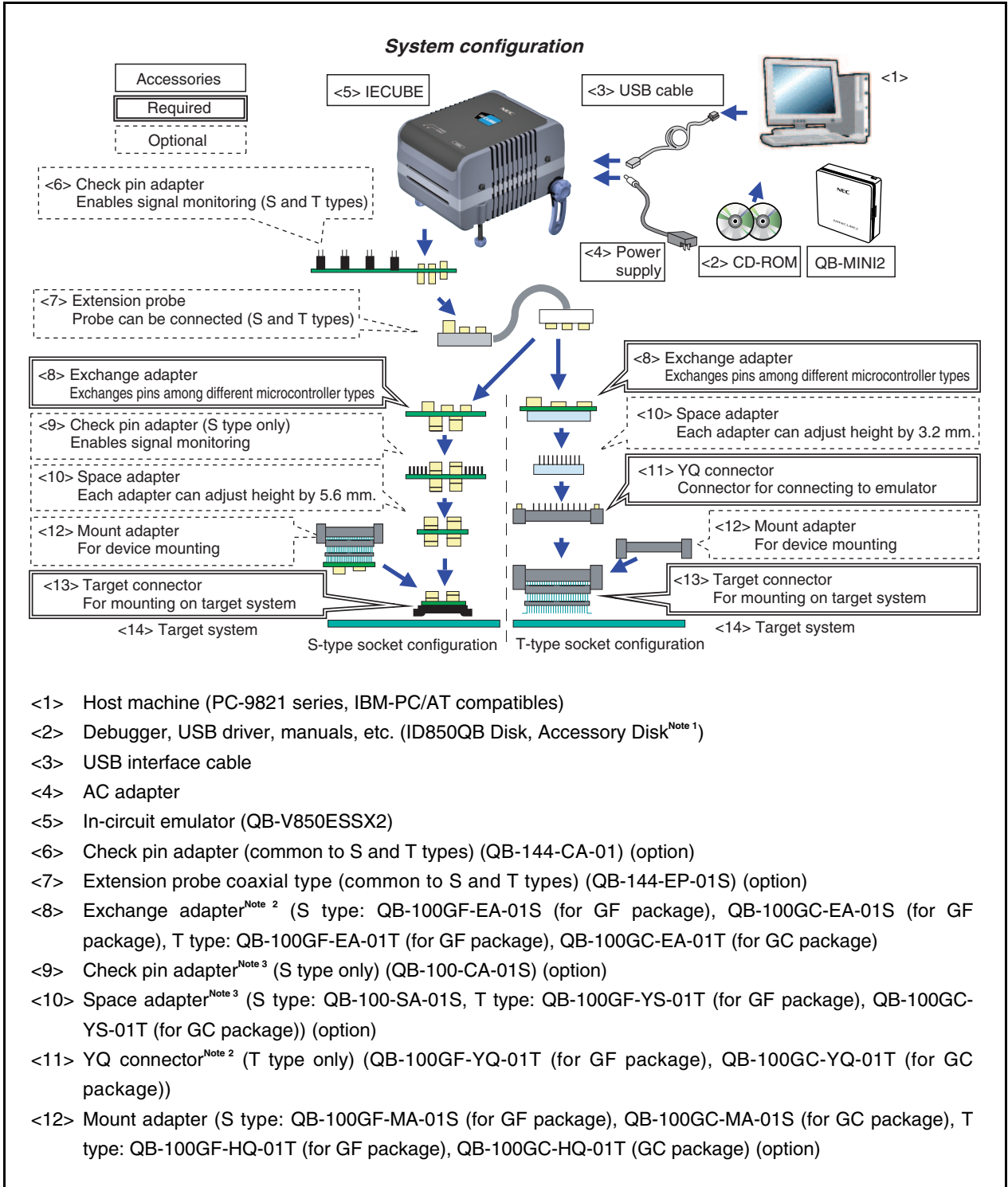


Figure A-3. System Configuration (QB-V850ESSX2 Used) (2/2)

<13> Target connector<sup>Note 2</sup> (S type: QB-100GF-TC-01S (for GF package), QB-100GC-TC-01S (for GC package), T type: QB-100GF-NQ-01T (for GF package), QB-100GC-NQ-01T (for GF package))

<14> Target system

- Notes**
1. Obtain the device file from the NEC Electronics website.  
<http://www.necel.com/micro/ods/jpn/index.html>
  2. Depending on the ordering number, supplied with the device.
    - When QB-V850ESSX2-ZZZ is ordered  
The exchange adapter and the target connector are not supplied.
    - When QB-V850ESSX2-S100GF is ordered  
The QB-100GF-EA-01S and QB-100GF-TC-01S are supplied.
    - When QB-V850ESSX2-S100GC is ordered  
The QB-100GC-EA-01S and QB-100GC-TC-01S are supplied.
    - When QB-V850ESSX2-T100GF is ordered  
The QB-100GF-EA-01T, QB-100GF-YQ-01T, and QB-100GF-NQ-01T are supplied.
    - When QB-V850ESSX2-T100GC is ordered  
The QB-100GC-EA-01T, QB-100GC-YQ-01T, and QB-100GC-NQ-01T are supplied.
  3. When using both <9> and <10>, the order between <9> and <10> is not cared.



|                                                                                                      |                                                                                                                                                                                                                                                                                                                            |
|------------------------------------------------------------------------------------------------------|----------------------------------------------------------------------------------------------------------------------------------------------------------------------------------------------------------------------------------------------------------------------------------------------------------------------------|
| <5> QB-V850ESSX2 <sup>Note</sup><br>In-circuit emulator                                              | The in-circuit emulator serves to debug hardware and software when developing application systems using a V850ES/SG1 product. It supports the integrated debugger ID850QB. This emulator should be used in combination with a power supply unit and emulation probe. Use USB to connect this emulator to the host machine. |
| <3> USB interface cable                                                                              | Cable to connect the host machine and the QB-V850ESSX2.                                                                                                                                                                                                                                                                    |
| <4> AC adapter                                                                                       | 100 to 240 V can be supported by replacing the AC plug.                                                                                                                                                                                                                                                                    |
| <8> QB-100GF-EA-01S,<br>QB-100GC-EA-01S,<br>QB-100GF-EA-01T,<br>QB-100GC-EA-01T<br>Exchange adapter  | Adapter to perform pin conversion.<br><ul style="list-style-type: none"> <li>• QB-100GF-EA-01S, QB-100GF-EA-01T: For 100-pin plastic QFP (GF-JBT type)</li> <li>• QB-100GC-EA-01S, QB-100GC-EA-01T: For 100-pin plastic LQFP (GC-8EA type)</li> </ul>                                                                      |
| <9> QB-100-CA-01S<br>Check pin adapter                                                               | Adapter used in waveform monitoring using the oscilloscope, etc.                                                                                                                                                                                                                                                           |
| <10> QB-100-SA-01S,<br>QB-100GF-YS-01T,<br>QB-100GC-YS-01T<br>Space adapter                          | Adapter to adjust the height.<br><ul style="list-style-type: none"> <li>• QB-100-SA-01S, QB-100GF-YS-01T: For 100-pin plastic QFP (GF-JBT type)</li> <li>• QB-100-SA-01S, QB-100GC-YS-01T: For 100-pin plastic LQFP (GC-8EA type)</li> </ul>                                                                               |
| <12> QB-100GF-MA-01S,<br>QB-100GC-MA-01S,<br>QB-100GF-HQ-01T,<br>QB-100GC-HQ-01T<br>Mount adapter    | Adapter to mount the V850ES/SG1 with socket.<br><ul style="list-style-type: none"> <li>• QB-100GF-MA-01S, QB-100GF-HQ-01T: For 100-pin plastic QFP (GF-JBT type)</li> <li>• QB-100GC-MA-01S, QB-100GC-HQ-01T: For 100-pin plastic LQFP (GC-8EA type)</li> </ul>                                                            |
| <13> QB-100GF-TC-01S,<br>QB-100GC-TC-01S,<br>QB-100GF-NQ-01T,<br>QB-100GC-NQ-01T<br>Target connector | Connector to solder on the target system.<br><ul style="list-style-type: none"> <li>• QB-100GF-TC-01S, QB-100GF-NQ-01T: For 100-pin plastic QFP (GF-JBT type)</li> <li>• QB-100GC-TC-01S, QB-100GC-NQ-01T: For 100-pin plastic LQFP (GC-8EA type)</li> </ul>                                                               |

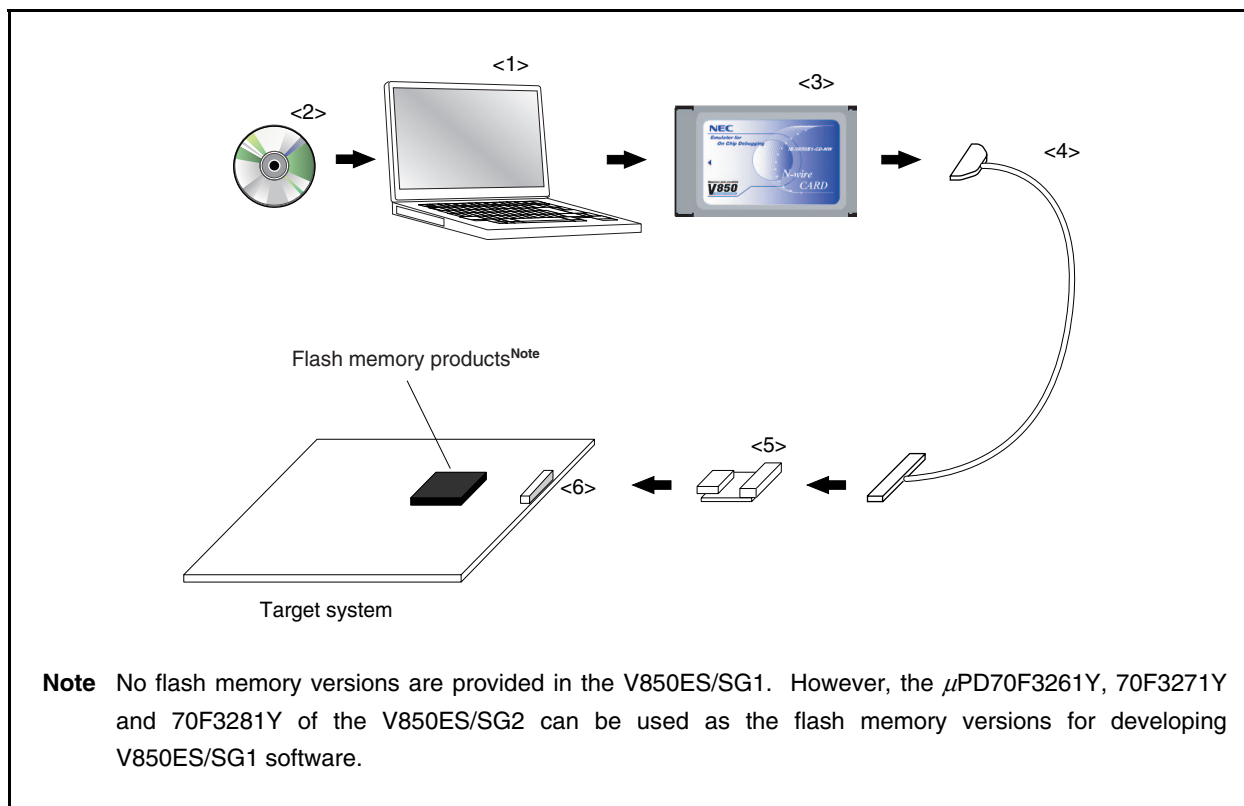
<R> **Note** The QB-V850ESSX2 is supplied with a power supply unit, USB interface cable, and QB-MINI2. It is also supplied with integrated debugger ID850QB as control software.

**Remark** The numbers in the square brackets correspond to the numbers in Figure A-3.

<R> **A.4.3 When using on-chip debug emulator IE-V850E1-CD-NW**

The system configuration when connecting the IE-V850E1-CD-NW to the host machine (PC-9821 series, PC/AT compatible) is shown below.

**Figure A-4. System Configuration (IE-V850E1-CD-NW Used)**



|                                                                  |                                                                                                                                                                                                                                                                                          |
|------------------------------------------------------------------|------------------------------------------------------------------------------------------------------------------------------------------------------------------------------------------------------------------------------------------------------------------------------------------|
| <1> Host machine                                                 | Personal computer including PCMCIA compliant with the PCMCIA2.1/JEIDA standard Ver. 4.2.<br>When using a product which does not have a PCMCIA slot, use a PCI-PCMCIA conversion board or the like. For details on the conversion board, consult an NEC Electronics sales representative. |
| <2> CD-ROM <sup>Note 1</sup>                                     | The integrated debugger ID850QB, N-Wire Checker, device driver, documents and so on in the CD-ROM format are included. This CD-ROM is supplied with the IE-V850E1-CD-NW.                                                                                                                 |
| <3> IE-V850E1-CD-NW<br>On-chip debug emulator                    | This on-chip debug emulator is used to debug hardware and software when application systems using the V850ES/SG1 is developed. It supports the integrated debugger ID850QB.                                                                                                              |
| <4> IE-V850E1-CD-NW<br>connection cable                          | This connection cable is used to connect the IE-V850E1-CD-NW and the target system. It is supplied with the IE-V850E1-CD-NW. The cable length is approximately 50 cm.                                                                                                                    |
| <5> Connector conversion board<br>KEL adapter                    | It is supplied with the IE-V850E1-CD-NW.                                                                                                                                                                                                                                                 |
| <6> IE-V850E1-CD-NW connector<br>KEL connector <sup>Note 2</sup> | 8830E-026-170S (It is supplied with the IE-V850E1-CD-NW.)<br>8830E-026-170L (sold separately)                                                                                                                                                                                            |

**Notes** 1. Obtain the device file from the NEC Electronics website.

<http://www.necel.com/micro/ods/eng/index.html>

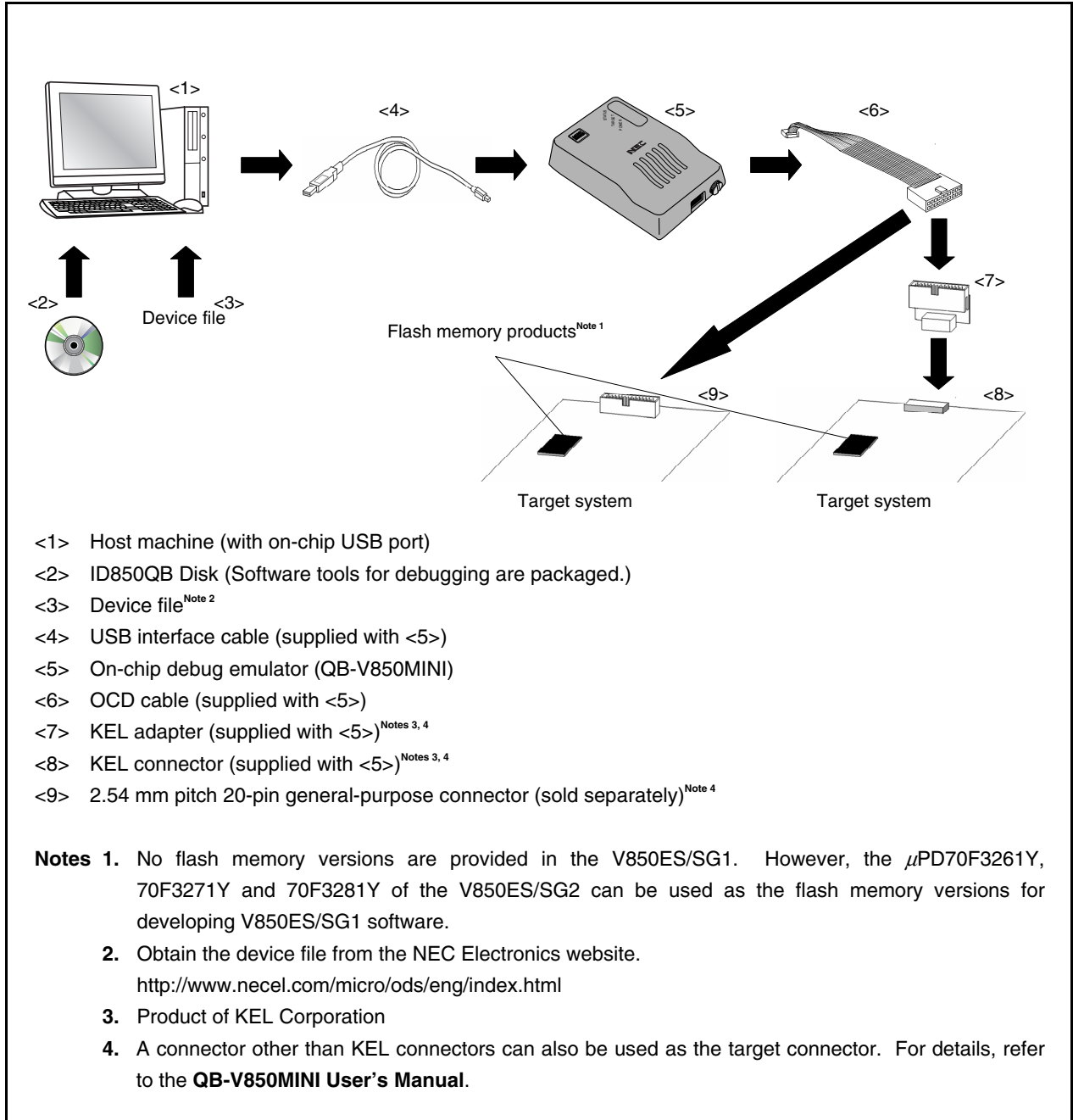
2. Product of KEL Corporation

**Remark** The numbers in the table correspond to the numbers in Figure A-4.

&lt;R&gt;

**A.4.4 When using MINICUBE QB-V850MINI**

The system configuration when connecting the QB-V850MINI to the host machine (PC-9821 series, PC/AT compatible) is shown below.

**Figure A-5. System Configuration (QB-V850MINI Used)**

**A.5 Debugging Tools (Software)**

|                                                                                                                                                                                               |                                                                                                                                                                                                                                                                                                                                                                                                                                                                                                                                                                               |
|-----------------------------------------------------------------------------------------------------------------------------------------------------------------------------------------------|-------------------------------------------------------------------------------------------------------------------------------------------------------------------------------------------------------------------------------------------------------------------------------------------------------------------------------------------------------------------------------------------------------------------------------------------------------------------------------------------------------------------------------------------------------------------------------|
| <p>&lt;R&gt; SM+ for V850ES/Sx2<br/>System simulator</p>                                                                                                                                      | <p>This is a system simulator for the V850 microcontrollers. The SM+ are Windows-based softwares.<br/>It is used to perform debugging at the C source level or assembler level while simulating the operation of the target system on a host machine.<br/>Use of the SM+ allows the execution of application logical testing and performance testing on an independent basis from hardware development, thereby providing higher development efficiency and software quality.<br/>The SM850 and SM+ should be used in combination with the device file (sold separately).</p> |
| <p>&lt;R&gt;</p>                                                                                                                                                                              | <p>Part number: <math>\mu S_{xxxx}SM703289-B</math></p>                                                                                                                                                                                                                                                                                                                                                                                                                                                                                                                       |
| <p>ID850<br/>Integrated debugger<br/>(supporting in-circuit emulator<br/>IE-V850ES-G1)</p> <hr/> <p>ID850QB<br/>Integrated debugger<br/>(supporting in-circuit emulator<br/>QB-V850ESSX2)</p> | <p>This debugger supports the in-circuit emulators for the V850 microcontrollers. The ID850 and ID850QB are Windows-based software.<br/>It has improved C-compatible debugging functions and can display the results of tracing with the source program using an integrating window function that associates the source program, disassemble display, and memory display with the trace result.<br/>It should be used in combination with the device file (sold separately).</p>                                                                                              |
| <p>&lt;R&gt;</p>                                                                                                                                                                              | <p>Part number: <math>\mu S_{xxxx}ID703000</math>, <math>\mu S_{xxxx}ID703000-GC</math> (ID850)</p>                                                                                                                                                                                                                                                                                                                                                                                                                                                                           |

**Remark** xxxx in the part number differs depending on the OS used.

$\mu S_{xxxx}SM703289-B$   
 $\mu S_{xxxx}ID703000$   
 $\mu S_{xxxx}ID703000-GC$

| xxxx | Host Machine          | OS                         | Supply Medium |
|------|-----------------------|----------------------------|---------------|
| AB17 | PC-9800 series,       | Windows (Japanese version) | CD-ROM        |
| BB17 | IBM PC/AT compatibles | Windows (English version)  |               |

**A.6 Embedded Software**

|                                                      |                                                                                                                                                                                                                                   |
|------------------------------------------------------|-----------------------------------------------------------------------------------------------------------------------------------------------------------------------------------------------------------------------------------|
| RX850, RX850 Pro<br>Real-time OS                     | The RX850 and RX850 Pro are real-time OSs conforming to $\mu$ ITRON 3.0 specifications. A tool (configurator) for generating multiple information tables is supplied. RX850 Pro has more functions than RX850.                    |
|                                                      | Part number: $\mu$ SxxxxRX703000- $\Delta\Delta\Delta\Delta$ (RX850)<br>$\mu$ SxxxxRX703100- $\Delta\Delta\Delta\Delta$ (RX850 Pro)                                                                                               |
| V850mini-NET (provisional name)<br>(Network library) | This is a network library conforming to RFC. It is a lightweight TCP/IP of compact design, requiring only a small memory. In addition to the TCP/IP standard set, an HTTP server, SMTP client, and POP client are also supported. |
| RX-FS850<br>(File system)                            | This is a FAT file system function. It is a file system that supports the CD-ROM file system function. This file system is used with the real-time OS RX850 Pro.                                                                  |

**Caution** To purchase the RX850 or RX850 Pro, first fill in the purchase application form and sign the user agreement.

**Remark** xxxx and  $\Delta\Delta\Delta\Delta$  in the part number differ depending on the host machine and OS used.

$\mu$ SxxxxRX703000- $\Delta\Delta\Delta\Delta$

$\mu$ SxxxxRX703100- $\Delta\Delta\Delta\Delta$

| $\Delta\Delta\Delta\Delta$ | Product Outline        | Maximum Number for Use in Mass Production |
|----------------------------|------------------------|-------------------------------------------|
| 001                        | Evaluation object      | Do not use for mass-produced product.     |
| 100K                       | Mass-production object | 0.1 million units                         |
| 001M                       |                        | 1 million units                           |
| 010M                       |                        | 10 million units                          |
| S01                        | Source program         | Object source program for mass production |

| xxxx | Host Machine          | OS                         | Supply Medium |
|------|-----------------------|----------------------------|---------------|
| AB17 | PC-9800 series,       | Windows (Japanese version) | CD-ROM        |
| BB17 | IBM PC/AT compatibles | Windows (English version)  |               |
| 3K17 | SPARCstation          | Solaris (Rel. 2.5.1)       |               |

## A.7 Flash Memory Writing Tools

No flash memory versions are provided in the V850ES/SG1. However, the  $\mu$ PD70F3261Y, 70F3271Y, and <R> 70F3281Y of the V850ES/SG2 can be used as the flash memory versions for developing V850ES/SG1 software.

For details on the V850ES/SG2 ( $\mu$ PD70F3261Y,  $\mu$ PD70F3271Y,  $\mu$ PD70F3281Y), refer to the **V850ES/SG2, V850ES/SG2-H Hardware User's Manual (U16541E)**.

|     |                                                              |                                                                                                                                       |
|-----|--------------------------------------------------------------|---------------------------------------------------------------------------------------------------------------------------------------|
| <R> | Flashpro IV (part number: PG-FP4)<br>Flash memory programmer | Flash memory programmer dedicated to microcontrollers with on-chip flash memory.                                                      |
|     | Flashpro V (part number: PG-FP5)<br>Flash memory programmer  |                                                                                                                                       |
|     | FA-100GF-3BA-A<br>Flash memory writing adapter               | Flash memory writing adapter used connected to Flashpro IV or Flashpro V.<br>• FA-100GF-3BA-A: For 100-pin plastic QFP (GF-JBT type)  |
|     | FA-100GC-8EU-A<br>Flash memory writing adapter               | Flash memory writing adapter used connected to Flashpro IV or Flashpro V.<br>• FA-100GC-8EU-A: For 100-pin plastic LQFP (GC-8EA type) |

<R> **Remark** FA-100GF-3BA-A and FA-100GC-8EU-A are products of Naito Densai Machida Mfg. Co., Ltd.  
TEL: +81-42-750-4172 Naito Densai Machida Mfg. Co., Ltd.

&lt;R&gt;

## APPENDIX B MAJOR DIFFERENCES BETWEEN V850ES/SG1 ( $\mu$ PD703249Y, 703252Y) AND V850ES/SG1 ( $\mu$ PD703253Y) AND V850ES/SG2 ( $\mu$ PD70F3261Y, 70F3271Y, 70F3281Y)

Differences between the V850ES/SG1 ( $\mu$ PD703249Y, 703252Y) and V850ES/SG1 ( $\mu$ PD703253Y) and V850ES/SG2 ( $\mu$ PD70F3261Y, 70F3271Y, 70F3281Y) are shown below. For details, refer to each corresponding section. For each part numbers of the V850ES/SG1 ( $\mu$ PD703249Y, 703252Y) and V850ES/SG1 ( $\mu$ PD703253Y) and V850ES/SG2 ( $\mu$ PD70F3261Y, 70F3271Y, 70F3281Y), refer to remark of 1.1 **General**.

**Table B-1. Major Differences Between V850ES/SG1 ( $\mu$ PD703249Y, 703252Y) and V850ES/SG1 ( $\mu$ PD703253Y) and V850ES/SG2 ( $\mu$ PD70F3261Y, 70F3271Y, 70F3281Y) (1/2)**

| Major Differences                    |                                         | V850ES/SG1                                                      | V850ES/SG1                                     | V850ES/SG2                                                                      | Refer to:  |
|--------------------------------------|-----------------------------------------|-----------------------------------------------------------------|------------------------------------------------|---------------------------------------------------------------------------------|------------|
|                                      |                                         | $\mu$ PD703249Y, 703252Y                                        | $\mu$ PD703253Y                                | $\mu$ PD70F3261Y, 70F3271Y, 70F3281Y                                            |            |
| Introduction                         | Package                                 | 100-pin plastic QFP (14 × 20)<br>100-pin plastic LQFP (14 × 14) | 100-pin plastic LQFP (14 × 14)                 | 100-pin plastic QFP (14 × 20) <sup>Note</sup><br>100-pin plastic LQFP (14 × 14) | 1.4        |
|                                      | Pin function: P10, P11 I/O circuit type | Type 5                                                          | Type 12-D                                      | Type 12-D                                                                       | 2.3        |
| CPU function                         | Internal ROM                            | 256 KB (mask ROM)                                               | 128 KB (mask ROM)                              | 384 KB (flash memory)                                                           | 3.4.4 (1)  |
|                                      | Internal RAM                            | 12 KB                                                           | 8 KB                                           | 32 KB                                                                           | 3.4.4 (2)  |
|                                      | Programmable peripheral I/O area        | None                                                            | Provided                                       | Provided ( $\mu$ PD70F3281Y only)                                               | 3.4.4 (4)  |
|                                      | Special register                        | PSC, CKC, PCC, CLM, RESF, OCDM registers                        | PSC, CKC, PCC, CLM, RESF, RAMS, OCDM registers | PSC, CKC, PCC, CLM, RESF, LVIM, RAMS, OCDM registers                            | 3.4.8      |
| Timer P                              | Number of channels                      | 5 ch                                                            | 6 ch                                           | 6 ch                                                                            | Chapter 7  |
|                                      | Selector function                       | None                                                            | None                                           | Provided                                                                        |            |
| D/A converter                        |                                         | None                                                            | Provided                                       | Provided                                                                        | Chapter 12 |
| UARTA                                | Number of channel                       | 2 ch                                                            | 2 ch                                           | 3 ch                                                                            | Chapter 13 |
|                                      | LIN function                            | None                                                            | None                                           | Provided                                                                        |            |
| CSIB                                 | Number of channel                       | 3 ch                                                            | 3 ch                                           | 5 ch                                                                            | Chapter 14 |
|                                      | Dedicated BRG                           | 1 ch                                                            | 1 ch                                           | 3 ch                                                                            |            |
| I <sup>2</sup> C: number of channel  |                                         | 2 ch                                                            | 2 ch                                           | 3 ch                                                                            | Chapter 15 |
| IEBus controller                     |                                         | Provided ( $\mu$ PD703252Y only)                                | None                                           | Provided ( $\mu$ PD70F3271Y only)                                               | Chapter 16 |
| CAN controller                       | 1 ch                                    | None                                                            | Provided                                       | Provided ( $\mu$ PD70F3281Y only)                                               | Chapter 17 |
|                                      | Time stamp function                     | None                                                            | None                                           | Provided                                                                        |            |
| DMA function                         |                                         | None                                                            | Provided                                       | Provided                                                                        | Chapter 18 |
| Interrupt: maskable interrupt number |                                         | 31/35 factors                                                   | 42 factors                                     | 47/51 factors                                                                   | 19.1       |

**Note**  $\mu$ PD70F3261Y, 70F3271Y only

**Table B-1. Major Differences Between V850ES/SG1 ( $\mu$ PD703249Y, 703252Y) and V850ES/SG1 ( $\mu$ PD703253Y) and V850ES/SG2 ( $\mu$ PD70F3261Y, 70F3271Y, 70F3281Y) (2/2)**

| Major Differences         |                                         | V850ES/SG1                                                                                                              | V850ES/SG1                                                                                                                                                                    | V850ES/SG2                                                                                                                                                                    | Refer to: |
|---------------------------|-----------------------------------------|-------------------------------------------------------------------------------------------------------------------------|-------------------------------------------------------------------------------------------------------------------------------------------------------------------------------|-------------------------------------------------------------------------------------------------------------------------------------------------------------------------------|-----------|
|                           |                                         | $\mu$ PD703249Y, 703252Y                                                                                                | $\mu$ PD703253Y                                                                                                                                                               | $\mu$ PD70F3261Y, 70F3271Y, 70F3281Y                                                                                                                                          |           |
| Reset function            | RESF.LVIRF bit                          | None                                                                                                                    | None                                                                                                                                                                          | Provided                                                                                                                                                                      | 22.2 (1)  |
|                           | Reset by low-voltage detector           | None                                                                                                                    | None                                                                                                                                                                          | Provided                                                                                                                                                                      | –         |
|                           | Valid/invalid of internal RAM data      | None                                                                                                                    | Provided                                                                                                                                                                      | Provided                                                                                                                                                                      | 22.4      |
| Electrical specifications | Operating conditions                    | V <sub>DD</sub> = 2.85 to 3.6 V:<br>A/D converter stopped<br>V <sub>DD</sub> = 3.0 to 3.6 V:<br>A/D converter operation | V <sub>DD</sub> = 2.85 to 3.6 V:<br>A/D converter stopped,<br>D/A converter stopped<br>V <sub>DD</sub> = 3.0 to 3.6 V:<br>A/D converter operation,<br>D/A converter operation | V <sub>DD</sub> = 2.85 to 3.6 V:<br>A/D converter stopped,<br>D/A converter stopped<br>V <sub>DD</sub> = 3.0 to 3.6 V:<br>A/D converter operation,<br>D/A converter operation | 26.3      |
|                           | DC specifications (supply current)      | Spec differs.                                                                                                           |                                                                                                                                                                               |                                                                                                                                                                               | 26.6.2    |
|                           | IEBus controller                        | Provided ( $\mu$ PD703252Y only)                                                                                        | None                                                                                                                                                                          | Provided ( $\mu$ PD70F3271Y only)                                                                                                                                             | 26.9 (8)  |
|                           | CAN timing                              | None                                                                                                                    | Provided                                                                                                                                                                      | Provided ( $\mu$ PD70F3281Y only)                                                                                                                                             | 26.9 (9)  |
|                           | DIA converter                           | None                                                                                                                    | Provided                                                                                                                                                                      | Provided                                                                                                                                                                      | 26.9 (11) |
|                           | RAM retention detection                 | None                                                                                                                    | Provided                                                                                                                                                                      | Provided                                                                                                                                                                      | 26.9 (12) |
| Package drawing           | S100GF-65-JBT-2<br>S100GC-50-8EU, 8EA-2 | S100GC-50-8EU, 8EA-2                                                                                                    | S100GF-65-JBT-2 <sup>Note</sup><br>S100GC-50-8EU, 8EA-2                                                                                                                       | Chapter 27                                                                                                                                                                    |           |

**Note**  $\mu$ PD70F3261Y, 70F3271Y only



## APPENDIX C REGISTER INDEX

(1/10)

| Symbol    | Name                                         | Unit  | Page |
|-----------|----------------------------------------------|-------|------|
| ADA0CR0   | A/D conversion result register 0             | ADC   | 354  |
| ADA0CR0H  | A/D conversion result register 0H            | ADC   | 354  |
| ADA0CR1   | A/D conversion result register 1             | ADC   | 354  |
| ADA0CR1H  | A/D conversion result register 1H            | ADC   | 354  |
| ADA0CR10  | A/D conversion result register 10            | ADC   | 354  |
| ADA0CR10H | A/D conversion result register 10H           | ADC   | 354  |
| ADA0CR11  | A/D conversion result register 11            | ADC   | 354  |
| ADA0CR11H | A/D conversion result register 11H           | ADC   | 354  |
| ADA0CR1H  | A/D conversion result register 1H            | ADC   | 354  |
| ADA0CR2   | A/D conversion result register 2             | ADC   | 354  |
| ADA0CR2H  | A/D conversion result register 2H            | ADC   | 354  |
| ADA0CR3   | A/D conversion result register 3             | ADC   | 354  |
| ADA0CR3H  | A/D conversion result register 3H            | ADC   | 354  |
| ADA0CR4   | A/D conversion result register 4             | ADC   | 354  |
| ADA0CR4H  | A/D conversion result register 4H            | ADC   | 354  |
| ADA0CR5   | A/D conversion result register 5             | ADC   | 354  |
| ADA0CR5H  | A/D conversion result register 5H            | ADC   | 354  |
| ADA0CR6   | A/D conversion result register 6             | ADC   | 354  |
| ADA0CR6H  | A/D conversion result register 6H            | ADC   | 354  |
| ADA0CR7   | A/D conversion result register 7             | ADC   | 354  |
| ADA0CR7H  | A/D conversion result register 7H            | ADC   | 354  |
| ADA0CR8   | A/D conversion result register 8             | ADC   | 354  |
| ADA0CR8H  | A/D conversion result register 8H            | ADC   | 354  |
| ADA0CR9   | A/D conversion result register 9             | ADC   | 354  |
| ADA0CR9H  | A/D conversion result register 9H            | ADC   | 354  |
| ADA0M0    | A/D converter mode register 0                | ADC   | 347  |
| ADA0M1    | A/D converter mode register 1                | ADC   | 349  |
| ADA0M2    | A/D converter mode register 2                | ADC   | 352  |
| ADA0PFM   | Power fail compare mode register             | ADC   | 356  |
| ADA0PFT   | Power fail compare threshold value register  | ADC   | 357  |
| ADA0S     | A/D converter channel specification register | ADC   | 353  |
| ADIC      | Interrupt control register                   | INTC  | 795  |
| AWC       | Address wait control register                | BCU   | 196  |
| BCC       | Bus cycle control register                   | BCU   | 197  |
| BCR       | IEBus control register                       | IEBus | 561  |
| BPC       | Peripheral I/O area select control register  | BCU   | 79   |
| BSC       | Bus size configuration register              | BCU   | 185  |
| C0BRP     | CAN0 module bit rate prescaler register      | CAN   | 677  |
| C0BTR     | CAN0 module bit rate register                | CAN   | 678  |
| C0CTRL    | CAN0 module control register                 | CAN   | 667  |

| Symbol     | Name                                                            | Unit | Page |
|------------|-----------------------------------------------------------------|------|------|
| C0ERC      | CAN0 module error counter register                              | CAN  | 673  |
| C0GMABT    | CAN0 global automatic block transmission control register       | CAN  | 662  |
| C0GMABTD   | CAN0 global automatic block transmission delay setting register | CAN  | 664  |
| C0GMCS     | CAN0 global clock selection register                            | CAN  | 661  |
| C0GMCTRL   | CAN0 global control register                                    | CAN  | 659  |
| C0IE       | CAN0 module interrupt enable register                           | CAN  | 674  |
| C0INFO     | CAN0 module information register                                | CAN  | 672  |
| C0INTS     | CAN0 module interrupt status register                           | CAN  | 676  |
| C0LEC      | CAN0 module last error information register                     | CAN  | 671  |
| C0LIPT     | CAN0 module last in-pointer register                            | CAN  | 680  |
| C0LOPT     | CAN0 module last out-pointer register                           | CAN  | 682  |
| C0MASK1H   | CAN0 module mask 1 register H                                   | CAN  | 665  |
| C0MASK1L   | CAN0 module mask 1 register L                                   | CAN  | 665  |
| C0MASK2H   | CAN0 module mask 2 register H                                   | CAN  | 665  |
| C0MASK2L   | CAN0 module mask 2 register L                                   | CAN  | 665  |
| C0MASK3H   | CAN0 module mask 3 register H                                   | CAN  | 665  |
| C0MASK3L   | CAN0 module mask 3 register L                                   | CAN  | 665  |
| C0MASK4H   | CAN0 module mask 4 register H                                   | CAN  | 665  |
| C0MASK4L   | CAN0 module mask 4 register L                                   | CAN  | 665  |
| C0MCONFm   | CAN0 message configuration register m                           | CAN  | 687  |
| C0MCTRLm   | CAN0 message control register m                                 | CAN  | 689  |
| C0MDATA01m | CAN0 message data byte 01 register m                            | CAN  | 684  |
| C0MDATA0m  | CAN0 message data byte 0 register m                             | CAN  | 684  |
| C0MDATA1m  | CAN0 message data byte 1 register m                             | CAN  | 684  |
| C0MDATA23m | CAN0 message data byte 23 register m                            | CAN  | 684  |
| C0MDATA2m  | CAN0 message data byte 2 register m                             | CAN  | 684  |
| C0MDATA3m  | CAN0 message data byte 3 register m                             | CAN  | 684  |
| C0MDATA45m | CAN0 message data byte 45 register m                            | CAN  | 684  |
| C0MDATA4m  | CAN0 message data byte 4 register m                             | CAN  | 684  |
| C0MDATA5m  | CAN0 message data byte 5 register m                             | CAN  | 684  |
| C0MDATA67m | CAN0 message data byte 67 register m                            | CAN  | 684  |
| C0MDATA6m  | CAN0 message data byte 6 register m                             | CAN  | 684  |
| C0MDATA7m  | CAN0 message data byte 7 register m                             | CAN  | 684  |
| C0MDLCm    | CAN0 message data length register m                             | CAN  | 686  |
| C0MIDHm    | CAN0 message ID register mH                                     | CAN  | 688  |
| C0MIDLm    | CAN0 message ID register mL                                     | CAN  | 688  |
| C0RGPT     | CAN0 module receive history list register                       | CAN  | 681  |
| C0TGPT     | CAN0 module transmit history list register                      | CAN  | 683  |
| CB0CTL0    | CSIB0 control register 0                                        | CSIB | 418  |
| CB0CTL1    | CSIB0 control register 1                                        | CSIB | 422  |
| CB0CTL2    | CSIB0 control register 2                                        | CSIB | 423  |
| CB0RIC     | Interrupt control register                                      | INTC | 795  |
| CB0RX      | CSIB0 receive data register                                     | CSIB | 417  |

**Remark** m = 00 to 31

| Symbol  | Name                                   | Unit  | Page |
|---------|----------------------------------------|-------|------|
| CB0RXL  | CSIB0 receive data register L          | CSIB  | 417  |
| CB0STR  | CSIB0 status register                  | CSIB  | 425  |
| CB0TIC  | Interrupt control register             | INTC  | 795  |
| CB0TX   | CSIB0 transmit data register           | CSI   | 417  |
| CB0TXL  | CSIB0 transmit data register L         | CSI   | 417  |
| CB1CTL0 | CSIB1 control register 0               | CSI   | 418  |
| CB1CTL1 | CSIB1 control register 1               | CSI   | 422  |
| CB1CTL2 | CSIB1 control register 2               | CSI   | 423  |
| CB1RIC  | Interrupt control register             | INTC  | 795  |
| CB1RX   | CSIB1 receive data register            | CSI   | 417  |
| CB1RXL  | CSIB1 receive data register L          | CSI   | 417  |
| CB1STR  | CSIB1 status register                  | CSI   | 425  |
| CB1TIC  | Interrupt control register             | INTC  | 795  |
| CB1TX   | CSIB1 transmit data register           | CSI   | 417  |
| CB1TXL  | CSIB1 transmit data register L         | CSI   | 417  |
| CB3CTL0 | CSIB3 control register 0               | CSI   | 418  |
| CB3CTL1 | CSIB3 control register 1               | CSI   | 422  |
| CB3CTL2 | CSIB3 control register 2               | CSI   | 423  |
| CB3RIC  | Interrupt control register             | INTC  | 795  |
| CB3RX   | CSIB3 receive data register            | CSI   | 417  |
| CB3RXL  | CSIB3 receive data register L          | CSI   | 417  |
| CB3STR  | CSIB3 status register                  | CSI   | 425  |
| CB3TIC  | Interrupt control register             | INTC  | 795  |
| CB3TX   | CSIB3 transmit data register           | CSI   | 417  |
| CB3TXL  | CSIB3 transmit data register L         | CSI   | 417  |
| CCLS    | CPU operation clock status register    | CG    | 214  |
| CCR     | IEBus communication count register     | IEBus | 589  |
| CDR     | IEBus control data register            | IEBus | 580  |
| CKC     | Clock control register                 | CG    | 217  |
| CLM     | Clock monitor mode register            | CLM   | 852  |
| CORAD0  | Correction address register 0          | ROMC  | 859  |
| CORAD0H | Correction address register 0H         | ROMC  | 859  |
| CORAD0L | Correction address register 0L         | ROMC  | 859  |
| CORAD1  | Correction address register 1          | ROMC  | 859  |
| CORAD1H | Correction address register 1H         | ROMC  | 859  |
| CORAD1L | Correction address register 1L         | ROMC  | 859  |
| CORAD2  | Correction address register 2          | ROMC  | 859  |
| CORAD2H | Correction address register 2H         | ROMC  | 859  |
| CORAD2L | Correction address register 2L         | ROMC  | 859  |
| CORAD3  | Correction address register 3          | ROMC  | 859  |
| CORAD3H | Correction address register 3H         | ROMC  | 859  |
| CORAD3L | Correction address register 3L         | ROMC  | 859  |
| CORCN   | Correction control register            | ROMC  | 860  |
| CTBP    | CALLT base pointer                     | CPU   | 56   |
| CTPC    | CALLT execution status saving register | CPU   | 55   |

| Symbol | Name                                              | Unit  | Page |
|--------|---------------------------------------------------|-------|------|
| CTPSW  | CALLT execution status saving register            | CPU   | 55   |
| DA0CS0 | D/A converter conversion value setting register 0 | DAC   | 382  |
| DA0CS1 | D/A converter conversion value setting register 1 | DAC   | 382  |
| DA0M   | D/A converter mode register                       | DAC   | 381  |
| DADC0  | DMA addressing control register 0                 | DMAC  | 760  |
| DADC1  | DMA addressing control register 1                 | DMAC  | 760  |
| DADC2  | DMA addressing control register 2                 | DMAC  | 760  |
| DADC3  | DMA addressing control register 3                 | DMAC  | 760  |
| DBC0   | DMA transfer count register 0                     | DMAC  | 759  |
| DBC1   | DMA transfer count register 1                     | DMAC  | 759  |
| DBC2   | DMA transfer count register 2                     | DMAC  | 759  |
| DBC3   | DMA transfer count register 3                     | DMAC  | 759  |
| DBPC   | Exception/debug trap status saving register       | CPU   | 56   |
| DBPSW  | Exception/debug trap status saving register       | CPU   | 56   |
| DCHC0  | DMA channel control register 0                    | DMAC  | 761  |
| DCHC1  | DMA channel control register 1                    | DMAC  | 761  |
| DCHC2  | DMA channel control register 2                    | DMAC  | 761  |
| DCHC3  | DMA channel control register 3                    | DMAC  | 761  |
| DDA0H  | DMA destination address register 0H               | DMAC  | 758  |
| DDA0L  | DMA destination address register 0L               | DMAC  | 758  |
| DDA1H  | DMA destination address register 1H               | DMAC  | 758  |
| DDA1L  | DMA destination address register 1L               | DMAC  | 758  |
| DDA2H  | DMA destination address register 2H               | DMAC  | 758  |
| DDA2L  | DMA destination address register 2L               | DMAC  | 758  |
| DDA3H  | DMA destination address register 3H               | DMAC  | 758  |
| DDA3L  | DMA destination address register 3L               | DMAC  | 758  |
| DLR    | IEBus telegraph length register                   | DLR   | 585  |
| DMAIC0 | Interrupt control register                        | INTC  | 795  |
| DMAIC1 | Interrupt control register                        | INTC  | 795  |
| DMAIC2 | Interrupt control register                        | INTC  | 795  |
| DMAIC3 | Interrupt control register                        | INTC  | 795  |
| DR     | IEBus data register                               | IEBus | 586  |
| DSA0H  | DMA source address register 0H                    | DMAC  | 757  |
| DSA0L  | DMA source address register 0L                    | DMAC  | 757  |
| DSA1H  | DMA source address register 1H                    | DMAC  | 757  |
| DSA1L  | DMA source address register 1L                    | DMAC  | 757  |
| DSA2H  | DMA source address register 2H                    | DMAC  | 757  |
| DSA2L  | DMA source address register 2L                    | DMAC  | 757  |
| DSA3H  | DMA source address register 3H                    | DMAC  | 757  |
| DSA3L  | DMA source address register 3L                    | DMAC  | 757  |
| DTFR0  | DMA trigger factor register 0                     | DMAC  | 762  |
| DTFR1  | DMA trigger factor register 1                     | DMAC  | 762  |
| DTFR2  | DMA trigger factor register 2                     | DMAC  | 762  |
| DTFR3  | DMA trigger factor register 3                     | DMAC  | 762  |
| DWC0   | Data wait control register 0                      | BCU   | 193  |

| Symbol | Name                                                      | Unit             | Page |
|--------|-----------------------------------------------------------|------------------|------|
| ECR    | Interrupt source register                                 | CPU              | 53   |
| EIPC   | Interrupt status saving register                          | CPU              | 52   |
| EIPSW  | Interrupt status saving register                          | CPU              | 52   |
| ERRIC0 | Interrupt control register                                | INTC             | 795  |
| ERRIC  | Interrupt control register                                | INTC             | 795  |
| ESR    | IEBus error status register                               | IEBus            | 573  |
| EXIMC  | External bus interface mode control register              | BCU              | 184  |
| FEPC   | NMI status saving register                                | CPU              | 53   |
| FEPSW  | NMI status saving register                                | CPU              | 53   |
| FSR    | IEBus field status register                               | IEBus            | 587  |
| IEIC1  | Interrupt control register                                | INTC             | 795  |
| IEIC2  | Interrupt control register                                | INTC             | 795  |
| IIC0   | IIC shift register 0                                      | I <sup>2</sup> C | 483  |
| IIC1   | IIC shift register 1                                      | I <sup>2</sup> C | 483  |
| IICC0  | IIC control register 0                                    | I <sup>2</sup> C | 470  |
| IICC1  | IIC control register 1                                    | I <sup>2</sup> C | 470  |
| IICCL0 | IIC clock select register 0                               | I <sup>2</sup> C | 480  |
| IICCL1 | IIC clock select register 1                               | I <sup>2</sup> C | 480  |
| IICF0  | IIC flag register 0                                       | I <sup>2</sup> C | 478  |
| IICF1  | IIC flag register 1                                       | I <sup>2</sup> C | 478  |
| IICIC0 | Interrupt control register                                | INTC             | 795  |
| IICIC1 | Interrupt control register                                | INTC             | 795  |
| IICS0  | IIC status register 0                                     | I <sup>2</sup> C | 475  |
| IICS1  | IIC status register 1                                     | I <sup>2</sup> C | 475  |
| IICX0  | IIC function expansion register 0                         | I <sup>2</sup> C | 481  |
| IICX1  | IIC function expansion register 1                         | I <sup>2</sup> C | 481  |
| IMR0   | Interrupt mask register 0                                 | INTC             | 797  |
| IMR0H  | Interrupt mask register 0H                                | INTC             | 797  |
| IMR0L  | Interrupt mask register 0L                                | INTC             | 797  |
| IMR1   | Interrupt mask register 1                                 | INTC             | 797  |
| IMR1H  | Interrupt mask register 1H                                | INTC             | 797  |
| IMR1L  | Interrupt mask register 1L                                | INTC             | 797  |
| IMR2   | Interrupt mask register 2                                 | INTC             | 797  |
| IMR2H  | Interrupt mask register 2H                                | INTC             | 797  |
| IMR2L  | Interrupt mask register 2L                                | INTC             | 797  |
| IMR3   | Interrupt mask register 3                                 | INTC             | 797  |
| IMR3H  | Interrupt mask register 3H                                | INTC             | 797  |
| IMR3L  | Interrupt mask register 3L                                | INTC             | 797  |
| INTF0  | External interrupt falling edge specification register 0  | INTC             | 809  |
| INTF3  | External interrupt falling edge specification register 3  | INTC             | 810  |
| INTF9H | External interrupt falling edge specification register 9H | INTC             | 811  |
| INTR0  | External interrupt rising edge specification register 0   | INTC             | 809  |
| INTR3  | External interrupt rising edge specification register 3   | INTC             | 810  |
| INTR9H | External interrupt rising edge specification register 9H  | INTC             | 811  |
| ISPR   | In-service priority register                              | INTC             | 799  |

| Symbol | Name                                           | Unit             | Page |
|--------|------------------------------------------------|------------------|------|
| ISR    | IEBus interrupt status register                | IEBus            | 570  |
| KRIC   | Interrupt control register                     | INTC             | 795  |
| KRM    | Key return mode register                       | KR               | 817  |
| LOCKR  | Lock register                                  | CG               | 218  |
| NFC    | Noise elimination control register             | INTC             | 812  |
| OCDM   | On-chip debug mode register                    | Debug            | 179  |
| OCKS0  | IIC division clock select register 0           | I <sup>2</sup> C | 483  |
| OCKS1  | IIC division clock select register 1           | I <sup>2</sup> C | 483  |
| OCKS2  | IEBus clock select register                    | IEBus            | 590  |
| OSTS   | Oscillation stabilization time select register | Standby          | 822  |
| P0     | Port 0 register                                | Port             | 95   |
| P1     | Port 1 register                                | Port             | 98   |
| P3     | Port 3 register                                | Port             | 100  |
| P3H    | Port 3 register H                              | Port             | 100  |
| P3L    | Port 3 register L                              | Port             | 100  |
| P4     | Port 4 register                                | Port             | 106  |
| P5     | Port 5 register                                | Port             | 109  |
| P7H    | Port 7 register H                              | Port             | 114  |
| P7L    | Port 7 register L                              | Port             | 114  |
| P9     | Port 9 register                                | Port             | 116  |
| P9H    | Port 9 register H                              | Port             | 116  |
| P9L    | Port 9 register L                              | Port             | 116  |
| PAR    | IEBus partner address register                 | IEBus            | 579  |
| PC     | Program counter                                | CPU              | 50   |
| PCC    | Processor clock control register               | CG               | 210  |
| PCM    | Port CM register                               | Port             | 123  |
| PCT    | Port CT register                               | Port             | 125  |
| PDH    | Port DH register                               | Port             | 127  |
| PDL    | Port DL register                               | Port             | 130  |
| PDLH   | Port DL register H                             | Port             | 130  |
| PDLL   | Port DL register L                             | Port             | 130  |
| PEMU1  | Peripheral emulation register 1                | CPU              | 850  |
| PF0    | Port 0 function control register               | Port             | 97   |
| PF3    | Port 3 function control register               | Port             | 105  |
| PF3H   | Port 3 function control register H             | Port             | 105  |
| PF3L   | Port 3 function control register L             | Port             | 105  |
| PF4    | Port 4 function control register               | Port             | 108  |
| PF5    | Port 5 function control register               | Port             | 112  |
| PF9    | Port 9 function control register               | Port             | 122  |
| PF9H   | Port 9 function control register H             | Port             | 122  |
| PF9L   | Port 9 function control register L             | Port             | 122  |
| PFC0   | Port 0 function control register               | Port             | 97   |
| PFC3   | Port 3 function control register               | Port             | 103  |
| PFC3H  | Port 3 function control register H             | Port             | 103  |
| PFC3L  | Port 3 function control register L             | Port             | 103  |

| Symbol | Name                                         | Unit | Page |
|--------|----------------------------------------------|------|------|
| PFC4   | Port 4 function control register             | Port | 107  |
| PFC5   | Port 5 function control register             | Port | 111  |
| PFC9   | Port 9 function control register             | Port | 119  |
| PFC9H  | Port 9 function control register H           | Port | 119  |
| PFC9L  | Port 9 function control register L           | Port | 119  |
| PFCE3L | Port 3 function control expansion register L | Port | 103  |
| PFCE5  | Port 5 function control expansion register   | Port | 111  |
| PFCE9  | Port 9 function control expansion register   | Port | 119  |
| PFCE9H | Port 9 function control expansion register H | Port | 119  |
| PFCE9L | Port 9 function control expansion register L | Port | 119  |
| PIC0   | Interrupt control register                   | INTC | 795  |
| PIC1   | Interrupt control register                   | INTC | 795  |
| PIC2   | Interrupt control register                   | INTC | 795  |
| PIC3   | Interrupt control register                   | INTC | 795  |
| PIC4   | Interrupt control register                   | INTC | 795  |
| PIC5   | Interrupt control register                   | INTC | 795  |
| PIC6   | Interrupt control register                   | INTC | 795  |
| PIC7   | Interrupt control register                   | INTC | 795  |
| PLLCTL | PLL control register                         | CG   | 216  |
| PLLS   | PLL lockup time specification register       | CG   | 219  |
| PM0    | Port 0 mode register                         | Port | 96   |
| PM1    | Port 1 mode register                         | Port | 99   |
| PM3    | Port 3 mode register                         | Port | 101  |
| PM3H   | Port 3 mode register H                       | Port | 101  |
| PM3L   | Port 3 mode register L                       | Port | 101  |
| PM4    | Port 4 mode register                         | Port | 106  |
| PM5    | Port 5 mode register                         | Port | 110  |
| PM7H   | Port 7 mode register H                       | Port | 114  |
| PM7L   | Port 7 mode register L                       | Port | 114  |
| PM9    | Port 9 mode register                         | Port | 116  |
| PM9H   | Port 9 mode register H                       | Port | 116  |
| PM9L   | Port 9 mode register L                       | Port | 116  |
| PMC0   | Port 0 mode control register                 | Port | 96   |
| PMC3   | Port 3 mode control register                 | Port | 101  |
| PMC3H  | Port 3 mode control register H               | Port | 101  |
| PMC3L  | Port 3 mode control register L               | Port | 101  |
| PMC4   | Port 4 mode control register                 | Port | 107  |
| PMC5   | Port 5 mode control register                 | Port | 110  |
| PMC9   | Port 9 mode control register                 | Port | 117  |
| PMC9H  | Port 9 mode control register H               | Port | 117  |
| PMC9L  | Port 9 mode control register L               | Port | 117  |
| PMCCM  | Port CM mode control register                | Port | 124  |
| PMCCT  | Port CT mode control register                | Port | 126  |
| PMCDH  | Port DH mode control register                | Port | 128  |
| PMCDL  | Port DL mode control register                | Port | 131  |

| Symbol    | Name                                 | Unit             | Page |
|-----------|--------------------------------------|------------------|------|
| PMCDLH    | Port DL mode control register H      | Port             | 131  |
| PMCDLL    | Port DL mode control register L      | Port             | 131  |
| PMCM      | Port CM mode register                | Port             | 123  |
| PMCT      | Port CT mode register                | Port             | 125  |
| PMDH      | Port DH mode register                | Port             | 127  |
| PMDL      | Port DL mode register                | Port             | 130  |
| PMDLH     | Port DL mode register H              | Port             | 130  |
| PMDLL     | Port DL mode register L              | Port             | 130  |
| PRCMD     | Command register                     | CPU              | 82   |
| PRSCM0    | Prescaler compare register 0         | WT               | 331  |
| PRSCM1    | BRG1 prescaler compare register      | BRG              | 462  |
| PRSM0     | Prescaler mode register 0            | WT               | 330  |
| PRSM1     | BRG1 prescaler mode register         | BRG              | 461  |
| PSC       | Power save control register          | CG               | 820  |
| PSMR      | Power save mode register             | CG               | 821  |
| PSR       | IEBus power save register            | IEBus            | 565  |
| PSW       | Program status word                  | CPU              | 54   |
| r0 to r31 | General-purpose registers            | CPU              | 50   |
| RAMS      | Internal RAM data status register    | CG               | 848  |
| RCM       | Internal oscillation mode register   | CG               | 214  |
| RECIC0    | Interrupt control register           | INTC             | 795  |
| RESF      | Reset source flag register           | Reset            | 839  |
| RSA       | IEBus receive slave address register | IEBus            | 579  |
| SAR       | IEBus slave address register         | IEBus            | 578  |
| SCR       | IEBus success count register         | IEBus            | 588  |
| SSR       | IEBus slave status register          | IEBus            | 566  |
| STAIC     | Interrupt control register           | INTC             | 795  |
| SVA0      | Slave address register 0             | I <sup>2</sup> C | 484  |
| SVA1      | Slave address register 1             | I <sup>2</sup> C | 484  |
| SYS       | System status register 0             | CPU              | 83   |
| TM0CMP0   | TMM0 compare register 0              | Timer            | 320  |
| TM0CTL0   | TMM0 control register 0              | Timer            | 321  |
| TM0EQIC0  | Interrupt control register           | INTC             | 795  |
| TP0CCIC0  | Interrupt control register           | INTC             | 795  |
| TP0CCIC1  | Interrupt control register           | INTC             | 795  |
| TP0CCR0   | TMP0 capture/compare register 0      | Timer            | 232  |
| TP0CCR1   | TMP0 capture/compare register 1      | Timer            | 234  |
| TP0CNT    | TMP0 counter read buffer register    | Timer            | 236  |
| TP0CTL0   | TMP0 control register 0              | Timer            | 225  |
| TP0CTL1   | TMP0 control register 1              | Timer            | 225  |
| TP0IOC0   | TMP0 I/O control register 0          | Timer            | 227  |
| TP0IOC1   | TMP0 I/O control register 1          | Timer            | 229  |
| TP0IOC2   | TMP0 I/O control register 2          | Timer            | 230  |
| TP0OPT0   | TMP0 option register 0               | Timer            | 231  |
| TP0OVIC   | Interrupt control register           | INTC             | 795  |



| Symbol   | Name                              | Unit  | Page |
|----------|-----------------------------------|-------|------|
| TP1CCIC0 | Interrupt control register        | INTC  | 795  |
| TP1CCIC1 | Interrupt control register        | INTC  | 795  |
| TP1CCR0  | TMP1 capture/compare register 0   | Timer | 232  |
| TP1CCR1  | TMP1 capture/compare register 1   | Timer | 234  |
| TP1CNT   | TMP1 counter read buffer register | Timer | 236  |
| TP1CTL0  | TMP1 control register 0           | Timer | 225  |
| TP1CTL1  | TMP1 control register 1           | Timer | 225  |
| TP1IOC0  | TMP1 I/O control register 0       | Timer | 227  |
| TP1IOC1  | TMP1 I/O control register 1       | Timer | 229  |
| TP1IOC2  | TMP1 I/O control register 2       | Timer | 230  |
| TP1OPT0  | TMP1 option register 0            | Timer | 231  |
| TP1OVIC  | Interrupt control register        | INTC  | 795  |
| TP2CCIC0 | Interrupt control register        | INTC  | 795  |
| TP2CCIC1 | Interrupt control register        | INTC  | 795  |
| TP2CCR0  | TMP2 capture/compare register 0   | Timer | 232  |
| TP2CCR1  | TMP2 capture/compare register 1   | Timer | 234  |
| TP2CNT   | TMP2 counter read buffer register | Timer | 236  |
| TP2CTL0  | TMP2 control register 0           | Timer | 225  |
| TP2CTL1  | TMP2 control register 1           | Timer | 225  |
| TP2IOC0  | TMP2 I/O control register 0       | Timer | 227  |
| TP2IOC1  | TMP2 I/O control register 1       | Timer | 229  |
| TP2IOC2  | TMP2 I/O control register 2       | Timer | 230  |
| TP2OPT0  | TMP2 option register 0            | Timer | 231  |
| TP2OVIC  | Interrupt control register        | INTC  | 795  |
| TP3CCIC0 | Interrupt control register        | INTC  | 795  |
| TP3CCIC1 | Interrupt control register        | INTC  | 795  |
| TP3CCR0  | TMP3 capture/compare register 0   | Timer | 232  |
| TP3CCR1  | TMP3 capture/compare register 1   | Timer | 234  |
| TP3CNT   | TMP3 counter read buffer register | Timer | 236  |
| TP3CTL0  | TMP3 control register 0           | Timer | 225  |
| TP3CTL1  | TMP3 control register 1           | Timer | 225  |
| TP3IOC0  | TMP3 I/O control register 0       | Timer | 227  |
| TP3IOC1  | TMP3 I/O control register 1       | Timer | 229  |
| TP3IOC2  | TMP3 I/O control register 2       | Timer | 230  |
| TP3OPT0  | TMP3 option register 0            | Timer | 231  |
| TP3OVIC  | Interrupt control register        | INTC  | 795  |
| TP4CCIC0 | Interrupt control register        | INTC  | 795  |
| TP4CCIC1 | Interrupt control register        | INTC  | 795  |
| TP4CCR0  | TMP4 capture/compare register 0   | Timer | 232  |
| TP4CCR1  | TMP4 capture/compare register 1   | Timer | 234  |
| TP4CNT   | TMP4 counter read buffer register | Timer | 236  |
| TP4CTL0  | TMP4 control register 0           | Timer | 225  |
| TP4CTL1  | TMP4 control register 1           | Timer | 225  |
| TP4IOC0  | TMP4 I/O control register 0       | Timer | 227  |
| TP4IOC1  | TMP4 I/O control register 1       | Timer | 229  |

| Symbol   | Name                                | Unit  | Page     |
|----------|-------------------------------------|-------|----------|
| TP4IOC2  | TMP4 I/O control register 2         | Timer | 230      |
| TP4OPT0  | TMP4 option register 0              | Timer | 231      |
| TP4OVIC  | Interrupt control register          | INTC  | 795      |
| TP5CCIC0 | Interrupt control register          | INTC  | 795      |
| TP5CCIC1 | Interrupt control register          | INTC  | 795      |
| TP5CCR0  | TMP5 capture/compare register 0     | Timer | 232      |
| TP5CCR1  | TMP5 capture/compare register 1     | Timer | 234      |
| TP5CNT   | TMP5 counter read buffer register   | Timer | 236      |
| TP5CTL0  | TMP5 control register 0             | Timer | 225      |
| TP5CTL1  | TMP5 control register 1             | Timer | 225      |
| TP5IOC0  | TMP5 I/O control register 0         | Timer | 227      |
| TP5IOC1  | TMP5 I/O control register 1         | Timer | 229      |
| TP5IOC2  | TMP5 I/O control register 2         | Timer | 230      |
| TP5OPT0  | TMP5 option register 0              | Timer | 231      |
| TP5OVIC  | Interrupt control register          | INTC  | 795      |
| TRXIC0   | Interrupt control register          | INTC  | 795      |
| UA0CTL0  | UARTA0 control register 0           | UARTA | 388      |
| UA0CTL1  | UARTA0 control register 1           | UARTA | 390      |
| UA0CTL2  | UARTA0 control register 2           | UARTA | 390      |
| UA0OPT0  | UARTA0 option control register 0    | UARTA | 390      |
| UA0RIC   | Interrupt control register          | INTC  | 795      |
| UA0RX    | UARTA0 receive data register        | UARTA | 393      |
| UA0STR   | UARTA0 status register              | UARTA | 391      |
| UA0TIC   | Interrupt control register          | INTC  | 795      |
| UA0TX    | UARTA0 transmit data register       | UARTA | 393      |
| UA1CTL0  | UARTA1 control register 0           | UARTA | 388      |
| UA1CTL1  | UARTA1 control register 1           | UARTA | 390, 406 |
| UA1CTL2  | UARTA1 control register 2           | UARTA | 390, 407 |
| UA1OPT0  | UARTA1 option control register 0    | UARTA | 390      |
| UA1RIC   | Interrupt control register          | INTC  | 795      |
| UA1RX    | UARTA1 receive data register        | UARTA | 391      |
| UA1STR   | UARTA1 status register              | UARTA | 391      |
| UA1TIC   | Interrupt control register          | INTC  | 795      |
| UA1TX    | UARTA1 transmit data register       | UARTA | 393      |
| UAR      | IEBus unit address register         | IEBus | 578      |
| USR      | IEBus unit status register          | IEBus | 567      |
| VSWC     | System wait control register        | CPU   | 84       |
| WDTE     | Watchdog timer enable register      | WDT   | 341      |
| WDTM2    | Watchdog timer mode register 2      | WDT   | 339, 800 |
| WTIC     | Interrupt control register          | INTC  | 795      |
| WTIIC    | Interrupt control register          | INTC  | 795      |
| WTM      | Watch timer operation mode register | WT    | 332      |
| WUPIC0   | Interrupt control register          | INTC  | 795      |

## APPENDIX D INSTRUCTION SET LIST

### D.1 Conventions

#### (1) Register symbols used to describe operands

| Register Symbol | Explanation                                                                                                                          |
|-----------------|--------------------------------------------------------------------------------------------------------------------------------------|
| reg1            | General-purpose registers: Used as source registers.                                                                                 |
| reg2            | General-purpose registers: Used mainly as destination registers. Also used as source register in some instructions.                  |
| reg3            | General-purpose registers: Used mainly to store the remainders of division results and the higher 32 bits of multiplication results. |
| bit#3           | 3-bit data for specifying the bit number                                                                                             |
| immX            | X bit immediate data                                                                                                                 |
| dispX           | X bit displacement data                                                                                                              |
| regID           | System register number                                                                                                               |
| vector          | 5-bit data that specifies the trap vector (00H to 1FH)                                                                               |
| cccc            | 4-bit data that shows the conditions code                                                                                            |
| sp              | Stack pointer (r3)                                                                                                                   |
| ep              | Element pointer (r30)                                                                                                                |
| listX           | X item register list                                                                                                                 |

#### (2) Register symbols used to describe opcodes

| Register Symbol | Explanation                                                        |
|-----------------|--------------------------------------------------------------------|
| R               | 1-bit data of a code that specifies reg1 or regID                  |
| r               | 1-bit data of the code that specifies reg2                         |
| w               | 1-bit data of the code that specifies reg3                         |
| d               | 1-bit displacement data                                            |
| l               | 1-bit immediate data (indicates the higher bits of immediate data) |
| i               | 1-bit immediate data                                               |
| cccc            | 4-bit data that shows the condition codes                          |
| CCCC            | 4-bit data that shows the condition codes of Bcond instruction     |
| bbb             | 3-bit data for specifying the bit number                           |
| L               | 1-bit data that specifies a program register in the register list  |

**(3) Register symbols used in operations**

| Register Symbol               | Explanation                                                                                                                                                                  |
|-------------------------------|------------------------------------------------------------------------------------------------------------------------------------------------------------------------------|
| ←                             | Input for                                                                                                                                                                    |
| GR [ ]                        | General-purpose register                                                                                                                                                     |
| SR [ ]                        | System register                                                                                                                                                              |
| zero-extend (n)               | Expand n with zeros until word length.                                                                                                                                       |
| sign-extend (n)               | Expand n with signs until word length.                                                                                                                                       |
| load-memory (a, b)            | Read size b data from address a.                                                                                                                                             |
| store-memory (a, b, c)        | Write data b into address a in size c.                                                                                                                                       |
| load-memory-bit (a, b)        | Read bit b of address a.                                                                                                                                                     |
| store-memory-bit (a, b, c)    | Write c to bit b of address a.                                                                                                                                               |
| saturated (n)                 | Execute saturated processing of n (n is a 2's complement).<br>If, as a result of calculations,<br>n ≥ 7FFFFFFFH, let it be 7FFFFFFFH.<br>n ≤ 80000000H, let it be 80000000H. |
| result                        | Reflects the results in a flag.                                                                                                                                              |
| Byte                          | Byte (8 bits)                                                                                                                                                                |
| Halfword                      | Half word (16 bits)                                                                                                                                                          |
| Word                          | Word (32 bits)                                                                                                                                                               |
| +                             | Addition                                                                                                                                                                     |
| –                             | Subtraction                                                                                                                                                                  |
|                               | Bit concatenation                                                                                                                                                            |
| ×                             | Multiplication                                                                                                                                                               |
| ÷                             | Division                                                                                                                                                                     |
| %                             | Remainder from division results                                                                                                                                              |
| AND                           | Logical product                                                                                                                                                              |
| OR                            | Logical sum                                                                                                                                                                  |
| XOR                           | Exclusive OR                                                                                                                                                                 |
| NOT                           | Logical negation                                                                                                                                                             |
| logically shift left by       | Logical shift left                                                                                                                                                           |
| logically shift right by      | Logical shift right                                                                                                                                                          |
| arithmetically shift right by | Arithmetic shift right                                                                                                                                                       |

**(4) Register symbols used in execution clock**

| Register Symbol | Explanation                                                                                                 |
|-----------------|-------------------------------------------------------------------------------------------------------------|
| i               | If executing another instruction immediately after executing the first instruction (issue).                 |
| r               | If repeating execution of the same instruction immediately after executing the first instruction (repeat).  |
| l               | If using the results of instruction execution in the instruction immediately after the execution (latency). |

**(5) Register symbols used in flag operations**

| Identifier | Explanation                                    |
|------------|------------------------------------------------|
| (Blank)    | No change                                      |
| 0          | Clear to 0                                     |
| X          | Set or cleared in accordance with the results. |
| R          | Previously saved values are restored.          |

**(6) Condition codes**

| Condition Code (cccc) | Condition Formula                         | Explanation                                   |
|-----------------------|-------------------------------------------|-----------------------------------------------|
| 0 0 0 0               | $OV = 1$                                  | Overflow                                      |
| 1 0 0 0               | $OV = 0$                                  | No overflow                                   |
| 0 0 0 1               | $CY = 1$                                  | Carry<br>Lower (Less than)                    |
| 1 0 0 1               | $CY = 0$                                  | No carry<br>Not lower (Greater than or equal) |
| 0 0 1 0               | $Z = 1$                                   | Zero                                          |
| 1 0 1 0               | $Z = 0$                                   | Not zero                                      |
| 0 0 1 1               | $(CY \text{ or } Z) = 1$                  | Not higher (Less than or equal)               |
| 1 0 1 1               | $(CY \text{ or } Z) = 0$                  | Higher (Greater than)                         |
| 0 1 0 0               | $S = 1$                                   | Negative                                      |
| 1 1 0 0               | $S = 0$                                   | Positive                                      |
| 0 1 0 1               | –                                         | Always (Unconditional)                        |
| 1 1 0 1               | $SAT = 1$                                 | Saturated                                     |
| 0 1 1 0               | $(S \text{ xor } OV) = 1$                 | Less than signed                              |
| 1 1 1 0               | $(S \text{ xor } OV) = 0$                 | Greater than or equal signed                  |
| 0 1 1 1               | $((S \text{ xor } OV) \text{ or } Z) = 1$ | Less than or equal signed                     |
| 1 1 1 1               | $((S \text{ xor } OV) \text{ or } Z) = 0$ | Greater than signed                           |

D.2 Instruction Set (in Alphabetical Order)

(1/6)

| Mnemonic | Operand             | Opcode                               | Operation                                                                                                                                   |                                   | Execution Clock |   |   | Flags |    |   |   |     |
|----------|---------------------|--------------------------------------|---------------------------------------------------------------------------------------------------------------------------------------------|-----------------------------------|-----------------|---|---|-------|----|---|---|-----|
|          |                     |                                      |                                                                                                                                             |                                   | i               | r | l | CY    | OV | S | Z | SAT |
| ADD      | reg1,reg2           | rrrrr001110RRRRR                     | GR[reg2]←GR[reg2]+GR[reg1]                                                                                                                  |                                   | 1               | 1 | 1 | x     | x  | x | x |     |
|          | imm5,reg2           | rrrrr010010iiii                      | GR[reg2]←GR[reg2]+sign-extend(imm5)                                                                                                         |                                   | 1               | 1 | 1 | x     | x  | x | x |     |
| ADDI     | imm16,reg1,reg2     | rrrrr110000RRRRR<br>iiiiiiiiiiiiiiii | GR[reg2]←GR[reg1]+sign-extend(imm16)                                                                                                        |                                   | 1               | 1 | 1 | x     | x  | x | x |     |
| AND      | reg1,reg2           | rrrrr001010RRRRR                     | GR[reg2]←GR[reg2]AND GR[reg1]                                                                                                               |                                   | 1               | 1 | 1 |       | 0  | x | x |     |
| ANDI     | imm16,reg1,reg2     | rrrrr110110RRRRR<br>iiiiiiiiiiiiiiii | GR[reg2]←GR[reg1]AND zero-extend(imm16)                                                                                                     |                                   | 1               | 1 | 1 |       | 0  | x | x |     |
| Bcond    | disp9               | dddd1011ddcccc<br><b>Note 1</b>      | if conditions are satisfied                                                                                                                 | When conditions are satisfied     | 2               | 2 | 2 |       |    |   |   |     |
|          |                     |                                      | then PC←PC+sign-extend(disp9)                                                                                                               | When conditions are not satisfied | 1               | 1 | 1 |       |    |   |   |     |
| BSH      | reg2,reg3           | rrrrr11111100000<br>wwwww01101000010 | GR[reg3]←GR[reg2] (23 : 16)    GR[reg2] (31 : 24)    GR[reg2] (7 : 0)    GR[reg2] (15 : 8)                                                  |                                   | 1               | 1 | 1 | x     | 0  | x | x |     |
| BSW      | reg2,reg3           | rrrrr11111100000<br>wwwww01101000000 | GR[reg3]←GR[reg2] (7 : 0)    GR[reg2] (15 : 8)    GR[reg2] (23 : 16)    GR[reg2] (31 : 24)                                                  |                                   | 1               | 1 | 1 | x     | 0  | x | x |     |
| CALLT    | imm6                | 0000001000iiii                       | CTPC←PC+2(return PC)<br>CTPSW←PSW<br>adr←CTBP+zero-extend(imm6 logically shift left by 1)<br>PC←CTBP+zero-extend(Load-memory(adr,Halfword)) |                                   | 4               | 4 | 4 |       |    |   |   |     |
| CLR1     | bit#3,disp16[reg1]  | 10bbb111110RRRRR<br>dddddddddddddd   | adr←GR[reg1]+sign-extend(disp16)<br>Z flag←Not(Load-memory-bit(adr,bit#3))<br>Store-memory-bit(adr,bit#3,0)                                 |                                   | 3               | 3 | 3 |       |    |   | x |     |
|          | reg2,[reg1]         | rrrrr111111RRRRR<br>0000000011100100 | adr←GR[reg1]<br>Z flag←Not(Load-memory-bit(adr,reg2))<br>Store-memory-bit(adr,reg2,0)                                                       |                                   | 3               | 3 | 3 |       |    |   | x |     |
| CMOV     | cccc,imm5,reg2,reg3 | rrrrr111111iiii<br>wwwww011000cccc0  | if conditions are satisfied<br>then GR[reg3]←sign-extended(imm5)<br>else GR[reg3]←GR[reg2]                                                  |                                   | 1               | 1 | 1 |       |    |   |   |     |
|          | cccc,reg1,reg2,reg3 | rrrrr111111RRRR<br>wwwww011001cccc0  | if conditions are satisfied<br>then GR[reg3]←GR[reg1]<br>else GR[reg3]←GR[reg2]                                                             |                                   | 1               | 1 | 1 |       |    |   |   |     |
| CMP      | reg1,reg2           | rrrrr001111RRRRR                     | result←GR[reg2]-GR[reg1]                                                                                                                    |                                   | 1               | 1 | 1 | x     | x  | x | x |     |
|          | imm5,reg2           | rrrrr010011iiii                      | result←GR[reg2]-sign-extend(imm5)                                                                                                           |                                   | 1               | 1 | 1 | x     | x  | x | x |     |
| CTRET    |                     | 000001111100000<br>0000000101000100  | PC←CTPC<br>PSW←CTPSW                                                                                                                        |                                   | 3               | 3 | 3 | R     | R  | R | R | R   |
| DBRET    |                     | 000001111100000<br>0000000101000110  | PC←DBPC<br>PSW←DBPSW                                                                                                                        |                                   | 3               | 3 | 3 | R     | R  | R | R | R   |

| Mnemonic | Operand            | Opcode                                              | Operation                                                                                                                                                                        | Execution Clock |               |               | Flags |    |   |   |     |  |
|----------|--------------------|-----------------------------------------------------|----------------------------------------------------------------------------------------------------------------------------------------------------------------------------------|-----------------|---------------|---------------|-------|----|---|---|-----|--|
|          |                    |                                                     |                                                                                                                                                                                  | i               | r             | l             | CY    | OV | S | Z | SAT |  |
| DBTRAP   |                    | 1111100001000000                                    | DBPC←PC+2 (restored PC)<br>DBPSW←PSW<br>PSW.NP←1<br>PSW.EP←1<br>PSW.ID←1<br>PC←0000060H                                                                                          | 3               | 3             | 3             |       |    |   |   |     |  |
| DI       |                    | 0000011111100000<br>0000000101100000                | PSW.ID←1                                                                                                                                                                         | 1               | 1             | 1             |       |    |   |   |     |  |
| DISPOSE  | imm5,list12        | 0000011001iiiiL<br>LLLLLLLLLLLL00000                | sp←sp+zero-extend(imm5 logically shift left by 2)<br>GR[reg in list12]←Load-memory(sp,Word)<br>sp←sp+4<br>repeat 2 steps above until all regs in list12 is loaded                | n+1<br>Note 4   | n+1<br>Note 4 | n+1<br>Note 4 |       |    |   |   |     |  |
|          | imm5,list12,[reg1] | 0000011001iiiiL<br>LLLLLLLLLLLLRRRRR<br>Note 5      | sp←sp+zero-extend(imm5 logically shift left by 2)<br>GR[reg in list12]←Load-memory(sp,Word)<br>sp←sp+4<br>repeat 2 steps above until all regs in list12 is loaded<br>PC←GR[reg1] | n+3<br>Note 4   | n+3<br>Note 4 | n+3<br>Note 4 |       |    |   |   |     |  |
| DIV      | reg1,reg2,reg3     | rrrrr11111RRRRR<br>wwwww01011000000                 | GR[reg2]←GR[reg2]÷GR[reg1]<br>GR[reg3]←GR[reg2]%GR[reg1]                                                                                                                         | 35              | 35            | 35            |       | ×  | × | × |     |  |
| DIVH     | reg1,reg2          | rrrrr000010RRRRR                                    | GR[reg2]←GR[reg2]÷GR[reg1] <sup>Note 6</sup>                                                                                                                                     | 35              | 35            | 35            |       | ×  | × | × |     |  |
|          | reg1,reg2,reg3     | rrrrr11111RRRRR<br>wwwww01010000000                 | GR[reg2]←GR[reg2]÷GR[reg1] <sup>Note 6</sup><br>GR[reg3]←GR[reg2]%GR[reg1]                                                                                                       | 35              | 35            | 35            |       | ×  | × | × |     |  |
| DIVHU    | reg1,reg2,reg3     | rrrrr11111RRRRR<br>wwwww01010000010                 | GR[reg2]←GR[reg2]÷GR[reg1] <sup>Note 6</sup><br>GR[reg3]←GR[reg2]%GR[reg1]                                                                                                       | 34              | 34            | 34            |       | ×  | × | × |     |  |
| DIVU     | reg1,reg2,reg3     | rrrrr11111RRRRR<br>wwwww01011000010                 | GR[reg2]←GR[reg2]÷GR[reg1]<br>GR[reg3]←GR[reg2]%GR[reg1]                                                                                                                         | 34              | 34            | 34            |       | ×  | × | × |     |  |
| EI       |                    | 1000011111100000<br>0000000101100000                | PSW.ID←0                                                                                                                                                                         | 1               | 1             | 1             |       |    |   |   |     |  |
| HALT     |                    | 0000011111100000<br>0000000100100000                | Stop                                                                                                                                                                             | 1               | 1             | 1             |       |    |   |   |     |  |
| HSW      | reg2,reg3          | rrrrr11111100000<br>wwwww01101000100                | GR[reg3]←GR[reg2](15 : 0)    GR[reg2] (31 : 16)                                                                                                                                  | 1               | 1             | 1             | ×     | 0  | × | × |     |  |
| JARL     | disp22,reg2        | rrrrr11110dddddd<br>ddddddddddddddd0<br>Note 7      | GR[reg2]←PC+4<br>PC←PC+sign-extend(disp22)                                                                                                                                       | 2               | 2             | 2             |       |    |   |   |     |  |
| JMP      | [reg1]             | 00000000011RRRRR                                    | PC←GR[reg1]                                                                                                                                                                      | 3               | 3             | 3             |       |    |   |   |     |  |
| JR       | disp22             | 0000011110dddddd<br>ddddddddddddddd0<br>Note 7      | PC←PC+sign-extend(disp22)                                                                                                                                                        | 2               | 2             | 2             |       |    |   |   |     |  |
| LD.B     | disp16[reg1],reg2  | rrrrr111000RRRRR<br>ddddddddddddddd                 | adr←GR[reg1]+sign-extend(disp16)<br>GR[reg2]←sign-extend(Load-memory(adr,Byte))                                                                                                  | 1               | 1             | Note 11       |       |    |   |   |     |  |
| LD.BU    | disp16[reg1],reg2  | rrrrr11110bRRRRR<br>ddddddddddddddd1<br>Notes 8, 10 | adr←GR[reg1]+sign-extend(disp16)<br>GR[reg2]←zero-extend(Load-memory(adr,Byte))                                                                                                  | 1               | 1             | Note 11       |       |    |   |   |     |  |

| Mnemonic | Operand            | Opcode                                                   | Operation                                                                                                        | Execution Clock |   |         | Flags |    |   |   |     |  |
|----------|--------------------|----------------------------------------------------------|------------------------------------------------------------------------------------------------------------------|-----------------|---|---------|-------|----|---|---|-----|--|
|          |                    |                                                          |                                                                                                                  | i               | r | l       | CY    | OV | S | Z | SAT |  |
| LD.H     | disp16[reg1],reg2  | rrrrr111001RRRRR<br>dddddddddddddd0<br><b>Note 8</b>     | adr←GR[reg1]+sign-extend(disp16)<br>GR[reg2]←sign-extend(Load-memory(adr,Halfword))                              | 1               | 1 | Note 11 |       |    |   |   |     |  |
| LDSR     | reg2,regID         | rrrrr111111RRRRR<br>0000000000100000<br><b>Note 12</b>   | SR[regID]←GR[reg2]      Other than regID = PSW                                                                   | 1               | 1 | 1       |       |    |   |   |     |  |
|          |                    |                                                          | regID = PSW                                                                                                      | 1               | 1 | 1       | ×     | ×  | × | × | ×   |  |
| LD.HU    | disp16[reg1],reg2  | rrrrr111111RRRRR<br>ddddddddddddddd1<br><b>Note 8</b>    | adr←GR[reg1]+sign-extend(disp16)<br>GR[reg2]←zero-extend(Load-memory(adr,Halfword))                              | 1               | 1 | Note 11 |       |    |   |   |     |  |
| LD.W     | disp16[reg1],reg2  | rrrrr111001RRRRR<br>ddddddddddddddd1<br><b>Note 8</b>    | adr←GR[reg1]+sign-extend(disp16)<br>GR[reg2]←Load-memory(adr,Word)                                               | 1               | 1 | Note 11 |       |    |   |   |     |  |
| MOV      | reg1,reg2          | rrrrr000000RRRRR                                         | GR[reg2]←GR[reg1]                                                                                                | 1               | 1 | 1       |       |    |   |   |     |  |
|          | imm5,reg2          | rrrrr010000iiii                                          | GR[reg2]←sign-extend(imm5)                                                                                       | 1               | 1 | 1       |       |    |   |   |     |  |
|          | imm32,reg1         | 00000110001RRRRR<br>iiiiiiiiiiiiiiii<br>iiiiiiiiiiiiiiii | GR[reg1]←imm32                                                                                                   | 2               | 2 | 2       |       |    |   |   |     |  |
| MOVEA    | imm16,reg1,reg2    | rrrrr110001RRRRR<br>iiiiiiiiiiiiiiii                     | GR[reg2]←GR[reg1]+sign-extend(imm16)                                                                             | 1               | 1 | 1       |       |    |   |   |     |  |
| MOVHI    | imm16,reg1,reg2    | rrrrr110010RRRRR<br>iiiiiiiiiiiiiiii                     | GR[reg2]←GR[reg1]+(imm16 ll 0 <sup>16</sup> )                                                                    | 1               | 1 | 1       |       |    |   |   |     |  |
| MUL      | reg1,reg2,reg3     | rrrrr111111RRRRR<br>wwwww01000100000<br><b>Note 14</b>   | GR[reg3] ll GR[reg2]←GR[reg2]xGR[reg1]                                                                           | 1               | 4 | 5       |       |    |   |   |     |  |
|          | imm9,reg2,reg3     | rrrrr111111iiii<br>wwwww01001111100<br><b>Note 13</b>    | GR[reg3] ll GR[reg2]←GR[reg2]xsign-extend(imm9)                                                                  | 1               | 4 | 5       |       |    |   |   |     |  |
| MULH     | reg1,reg2          | rrrrr000111RRRRR                                         | GR[reg2]←GR[reg2] <sup>Note 6</sup> xGR[reg1] <sup>Note 6</sup>                                                  | 1               | 1 | 2       |       |    |   |   |     |  |
|          | imm5,reg2          | rrrrr010111iiii                                          | GR[reg2]←GR[reg2] <sup>Note 6</sup> xsign-extend(imm5)                                                           | 1               | 1 | 2       |       |    |   |   |     |  |
| MULHI    | imm16,reg1,reg2    | rrrrr110111RRRRR<br>iiiiiiiiiiiiiiii                     | GR[reg2]←GR[reg1] <sup>Note 6</sup> ximm16                                                                       | 1               | 1 | 2       |       |    |   |   |     |  |
| MULU     | reg1,reg2,reg3     | rrrrr111111RRRRR<br>wwwww01000100010<br><b>Note 14</b>   | GR[reg3] ll GR[reg2]←GR[reg2]xGR[reg1]                                                                           | 1               | 4 | 5       |       |    |   |   |     |  |
|          | imm9,reg2,reg3     | rrrrr111111iiii<br>wwwww0100111110<br><b>Note 13</b>     | GR[reg3] ll GR[reg2]←GR[reg2]xzero-extend(imm9)                                                                  | 1               | 4 | 5       |       |    |   |   |     |  |
| NOP      |                    | 0000000000000000                                         | Pass at least one clock cycle doing nothing.                                                                     | 1               | 1 | 1       |       |    |   |   |     |  |
| NOT      | reg1,reg2          | rrrrr000001RRRRR                                         | GR[reg2]←NOT(GR[reg1])                                                                                           | 1               | 1 | 1       |       | 0  | × | × |     |  |
| NOT1     | bit#3,disp16[reg1] | 01bbb111110RRRRR<br>ddddddddddddddd<br><b>Note 3</b>     | adr←GR[reg1]+sign-extend(disp16)<br>Z flag←Not(Load-memory-bit(adr,bit#3))<br>Store-memory-bit(adr,bit#3,Z flag) | 3               | 3 | 3       |       |    |   |   | ×   |  |
|          | reg2,[reg1]        | rrrrr111111RRRRR<br>0000000011100010<br><b>Note 3</b>    | adr←GR[reg1]<br>Z flag←Not(Load-memory-bit(adr,reg2))<br>Store-memory-bit(adr,reg2,Z flag)                       | 3               | 3 | 3       |       |    |   |   | ×   |  |



| Mnemonic | Operand                                   | Opcode                                                                | Operation                                                                                                                                                             | Execution Clock          |                          |                          | Flags |    |   |   |     |
|----------|-------------------------------------------|-----------------------------------------------------------------------|-----------------------------------------------------------------------------------------------------------------------------------------------------------------------|--------------------------|--------------------------|--------------------------|-------|----|---|---|-----|
|          |                                           |                                                                       |                                                                                                                                                                       | i                        | r                        | l                        | CY    | OV | S | Z | SAT |
| OR       | reg1,reg2                                 | rrrrr001000RRRRR                                                      | GR[reg2]←GR[reg2]OR GR[reg1]                                                                                                                                          | 1                        | 1                        | 1                        |       | 0  | × | × |     |
| ORI      | imm16,reg1,reg2                           | rrrrr110100RRRRR<br>iiiiiiiiiiiiiiii                                  | GR[reg2]←GR[reg1]OR zero-extend(imm16)                                                                                                                                | 1                        | 1                        | 1                        |       | 0  | × | × |     |
| PREPARE  | list12,imm5                               | 0000011110iiiiL<br>LLLLLLLLLLLL00001                                  | Store-memory(sp−4,GR[reg in list12],Word)<br>sp←sp−4<br>repeat 1 step above until all regs in list12 is stored<br>sp←sp-zero-extend(imm5)                             | n+1<br>Note 4            | n+1<br>Note 4            | n+1<br>Note 4            |       |    |   |   |     |
|          | list12,imm5,<br>sp/imm <sup>Note 15</sup> | 0000011110iiiiL<br>LLLLLLLLLLLLff011<br>imm16/imm32<br><b>Note 16</b> | Store-memory(sp−4,GR[reg in list12],Word)<br>sp←sp+4<br>repeat 1 step above until all regs in list12 is stored<br>sp←sp-zero-extend (imm5)<br>ep←sp/imm               | n+2<br>Note 4<br>Note 17 | n+2<br>Note 4<br>Note 17 | n+2<br>Note 4<br>Note 17 |       |    |   |   |     |
| RETI     |                                           | 000001111100000<br>0000000101000000                                   | if PSW.EP=1<br>then PC ←EIPC<br>PSW ←EIPSW<br>else if PSW.NP=1<br>then PC ←FEPC<br>PSW ←FEPSW<br>else PC ←EIPC<br>PSW ←EIPSW                                          | 3                        | 3                        | 3                        | R     | R  | R | R | R   |
| SAR      | reg1,reg2                                 | rrrrr111111RRRRR<br>0000000010100000                                  | GR[reg2]←GR[reg2]arithmetically shift right<br>by GR[reg1]                                                                                                            | 1                        | 1                        | 1                        | ×     | 0  | × | × |     |
|          | imm5,reg2                                 | rrrrr010101iiii                                                       | GR[reg2]←GR[reg2]arithmetically shift right<br>by zero-extend (imm5)                                                                                                  | 1                        | 1                        | 1                        | ×     | 0  | × | × |     |
| SASF     | cccc,reg2                                 | rrrrr1111110cccc<br>0000001000000000                                  | if conditions are satisfied<br>then GR[reg2]←(GR[reg2]Logically shift left by 1)<br>OR 00000001H<br>else GR[reg2]←(GR[reg2]Logically shift left by 1)<br>OR 00000000H | 1                        | 1                        | 1                        |       |    |   |   |     |
| SATADD   | reg1,reg2                                 | rrrrr000110RRRRR                                                      | GR[reg2]←saturated(GR[reg2]+GR[reg1])                                                                                                                                 | 1                        | 1                        | 1                        | ×     | ×  | × | × | ×   |
|          | imm5,reg2                                 | rrrrr010001iiii                                                       | GR[reg2]←saturated(GR[reg2]+sign-extend(imm5))                                                                                                                        | 1                        | 1                        | 1                        | ×     | ×  | × | × | ×   |
| SATSUB   | reg1,reg2                                 | rrrrr000101RRRRR                                                      | GR[reg2]←saturated(GR[reg2]−GR[reg1])                                                                                                                                 | 1                        | 1                        | 1                        | ×     | ×  | × | × | ×   |
| SATSUBI  | imm16,reg1,reg2                           | rrrrr110011RRRRR<br>iiiiiiiiiiiiiiii                                  | GR[reg2]←saturated(GR[reg1]−sign-extend(imm16))                                                                                                                       | 1                        | 1                        | 1                        | ×     | ×  | × | × | ×   |
| SATSUBR  | reg1,reg2                                 | rrrrr000100RRRRR                                                      | GR[reg2]←saturated(GR[reg1]−GR[reg2])                                                                                                                                 | 1                        | 1                        | 1                        | ×     | ×  | × | × | ×   |
| SETF     | cccc,reg2                                 | rrrrr1111110cccc<br>0000000000000000                                  | If conditions are satisfied<br>then GR[reg2]←00000001H<br>else GR[reg2]←00000000H                                                                                     | 1                        | 1                        | 1                        |       |    |   |   |     |

| Mnemonic | Operand            | Opcode                                         | Operation                                                                                                    | Execution Clock |             |             | Flags |    |   |   |     |  |
|----------|--------------------|------------------------------------------------|--------------------------------------------------------------------------------------------------------------|-----------------|-------------|-------------|-------|----|---|---|-----|--|
|          |                    |                                                |                                                                                                              | i               | r           | l           | CY    | OV | S | Z | SAT |  |
| SET1     | bit#3,disp16[reg1] | 00bbb111110RRRRR<br>ddddddddddddddd            | adr←GR[reg1]+sign-extend(disp16)<br>Z flag←Not (Load-memory-bit(adr,bit#3))<br>Store-memory-bit(adr,bit#3,1) | 3<br>Note 3     | 3<br>Note 3 | 3<br>Note 3 |       |    |   |   | x   |  |
|          | reg2,[reg1]        | rrrrr111111RRRRR<br>0000000011100000           | adr←GR[reg1]<br>Z flag←Not(Load-memory-bit(adr,reg2))<br>Store-memory-bit(adr,reg2,1)                        | 3<br>Note 3     | 3<br>Note 3 | 3<br>Note 3 |       |    |   |   | x   |  |
| SHL      | reg1,reg2          | rrrrr111111RRRRR<br>0000000011000000           | GR[reg2]←GR[reg2] logically shift left by GR[reg1]                                                           | 1               | 1           | 1           | x     | 0  | x | x |     |  |
|          | imm5,reg2          | rrrrr010110iiii                                | GR[reg2]←GR[reg2] logically shift left<br>by zero-extend(imm5)                                               | 1               | 1           | 1           | x     | 0  | x | x |     |  |
| SHR      | reg1,reg2          | rrrrr111111RRRRR<br>0000000010000000           | GR[reg2]←GR[reg2] logically shift right by GR[reg1]                                                          | 1               | 1           | 1           | x     | 0  | x | x |     |  |
|          | imm5,reg2          | rrrrr010100iiii                                | GR[reg2]←GR[reg2] logically shift right<br>by zero-extend(imm5)                                              | 1               | 1           | 1           | x     | 0  | x | x |     |  |
| SLD.B    | disp7[ep],reg2     | rrrrr0110dddddd                                | adr←ep+zero-extend(disp7)<br>GR[reg2]←sign-extend(Load-memory(adr,Byte))                                     | 1               | 1           | Note 9      |       |    |   |   |     |  |
| SLD.BU   | disp4[ep],reg2     | rrrrr0000110ddd<br>Note 18                     | adr←ep+zero-extend(disp4)<br>GR[reg2]←zero-extend(Load-memory(adr,Byte))                                     | 1               | 1           | Note 9      |       |    |   |   |     |  |
| SLD.H    | disp8[ep],reg2     | rrrrr1000dddddd<br>Note 19                     | adr←ep+zero-extend(disp8)<br>GR[reg2]←sign-extend(Load-memory(adr,Halfword))                                 | 1               | 1           | Note 9      |       |    |   |   |     |  |
| SLD.HU   | disp5[ep],reg2     | rrrrr0000111ddd<br>Notes 18, 20                | adr←ep+zero-extend(disp5)<br>GR[reg2]←zero-extend(Load-memory(adr,Halfword))                                 | 1               | 1           | Note 9      |       |    |   |   |     |  |
| SLD.W    | disp8[ep],reg2     | rrrrr1010dddddd0<br>Note 21                    | adr←ep+zero-extend(disp8)<br>GR[reg2]←Load-memory(adr,Word)                                                  | 1               | 1           | Note 9      |       |    |   |   |     |  |
| SST.B    | reg2,disp7[ep]     | rrrrr01111dddddd                               | adr←ep+zero-extend(disp7)<br>Store-memory(adr,GR[reg2],Byte)                                                 | 1               | 1           | 1           |       |    |   |   |     |  |
| SST.H    | reg2,disp8[ep]     | rrrrr10011dddddd<br>Note 19                    | adr←ep+zero-extend(disp8)<br>Store-memory(adr,GR[reg2],Halfword)                                             | 1               | 1           | 1           |       |    |   |   |     |  |
| SST.W    | reg2,disp8[ep]     | rrrrr1010dddddd1<br>Note 21                    | adr←ep+zero-extend(disp8)<br>Store-memory(adr,GR[reg2],Word)                                                 | 1               | 1           | 1           |       |    |   |   |     |  |
| ST.B     | reg2,disp16[reg1]  | rrrrr111010RRRRR<br>ddddddddddddddd            | adr←GR[reg1]+sign-extend(disp16)<br>Store-memory(adr,GR[reg2],Byte)                                          | 1               | 1           | 1           |       |    |   |   |     |  |
| ST.H     | reg2,disp16[reg1]  | rrrrr111011RRRRR<br>ddddddddddddddd0<br>Note 8 | adr←GR[reg1]+sign-extend(disp16)<br>Store-memory(adr,GR[reg2],Halfword)                                      | 1               | 1           | 1           |       |    |   |   |     |  |
| ST.W     | reg2,disp16[reg1]  | rrrrr111011RRRRR<br>ddddddddddddddd1<br>Note 8 | adr←GR[reg1]+sign-extend(disp16)<br>Store-memory(adr,GR[reg2],Word)                                          | 1               | 1           | 1           |       |    |   |   |     |  |
| STSR     | regID,reg2         | rrrrr111111RRRRR<br>000000001000000            | GR[reg2]←SR[regID]                                                                                           | 1               | 1           | 1           |       |    |   |   |     |  |

| Mnemonic | Operand            | Opcode                               | Operation                                                                                                                                                                                | Execution Clock |   |   | Flags |    |   |   |     |
|----------|--------------------|--------------------------------------|------------------------------------------------------------------------------------------------------------------------------------------------------------------------------------------|-----------------|---|---|-------|----|---|---|-----|
|          |                    |                                      |                                                                                                                                                                                          | i               | r | l | CY    | OV | S | Z | SAT |
| SUB      | reg1,reg2          | rrrrr001101RRRRR                     | GR[reg2]←GR[reg2]−GR[reg1]                                                                                                                                                               | 1               | 1 | 1 | ×     | ×  | × | × |     |
| SUBR     | reg1,reg2          | rrrrr001100RRRRR                     | GR[reg2]←GR[reg1]−GR[reg2]                                                                                                                                                               | 1               | 1 | 1 | ×     | ×  | × | × |     |
| SWITCH   | reg1               | 0000000010RRRRR                      | adr←(PC+2) + (GR [reg1] logically shift left by 1)<br>PC←(PC+2) + (sign-extend<br>(Load-memory (adr,Halfword))<br>logically shift left by 1                                              | 5               | 5 | 5 |       |    |   |   |     |
| SXB      | reg1               | 00000000101RRRRR                     | GR[reg1]←sign-extend<br>(GR[reg1] (7 : 0))                                                                                                                                               | 1               | 1 | 1 |       |    |   |   |     |
| SXH      | reg1               | 00000000111RRRRR                     | GR[reg1]←sign-extend<br>(GR[reg1] (15 : 0))                                                                                                                                              | 1               | 1 | 1 |       |    |   |   |     |
| TRAP     | vector             | 000001111111iiii<br>0000000100000000 | EIPC ←PC+4 (Restored PC)<br>EIPSW ←PSW<br>ECR.EICC ←Interrupt code<br>PSW.EP ←1<br>PSW.ID ←1<br>PC ←00000040H<br>(when vector is 00H to 0FH)<br>00000050H<br>(when vector is 10H to 1FH) | 3               | 3 | 3 |       |    |   |   |     |
| TST      | reg1,reg2          | rrrrr001011RRRRR                     | result←GR[reg2] AND GR[reg1]                                                                                                                                                             | 1               | 1 | 1 | 0     | ×  | × |   |     |
| TST1     | bit#3,disp16[reg1] | 11bbb111110RRRRR<br>ddddddddddddddd  | adr←GR[reg1]+sign-extend(disp16)<br>Z flag←Not (Load-memory-bit (adr,bit#3))                                                                                                             | 3               | 3 | 3 |       |    |   | × |     |
|          | reg2, [reg1]       | rrrrr111111RRRRR<br>0000000011100110 | adr←GR[reg1]<br>Z flag←Not (Load-memory-bit (adr,reg2))                                                                                                                                  | 3               | 3 | 3 |       |    |   | × |     |
| XOR      | reg1,reg2          | rrrrr001001RRRRR                     | GR[reg2]←GR[reg2] XOR GR[reg1]                                                                                                                                                           | 1               | 1 | 1 | 0     | ×  | × |   |     |
| XORI     | imm16,reg1,reg2    | rrrrr110101RRRRR<br>iiiiiiiiiiiiiiii | GR[reg2]←GR[reg1] XOR zero-extend (imm16)                                                                                                                                                | 1               | 1 | 1 | 0     | ×  | × |   |     |
| ZXB      | reg1               | 00000000100RRRRR                     | GR[reg1]←zero-extend (GR[reg1] (7 : 0))                                                                                                                                                  | 1               | 1 | 1 |       |    |   |   |     |
| ZXH      | reg1               | 00000000110RRRRR                     | GR[reg1]←zero-extend (GR[reg1] (15 : 0))                                                                                                                                                 | 1               | 1 | 1 |       |    |   |   |     |

- Notes**
1. dddddddd: Higher 8 bits of disp9.
  2. 3 if there is an instruction that rewrites the contents of the PSW immediately before.
  3. If there is no wait state (3 + the number of read access wait states).
  4. n is the total number of list12 load registers. (According to the number of wait states. Also, if there are no wait states, n is the total number of list12 registers. If n = 0, same operation as when n = 1)
  5. RRRRR: other than 00000.
  6. The lower halfword data only are valid.
  7. dddddddddddddddddddd: The higher 21 bits of disp22.
  8. dddddddddddddddd: The higher 15 bits of disp16.
  9. According to the number of wait states (1 if there are no wait states).
  10. b: bit 0 of disp16.
  11. According to the number of wait states (2 if there are no wait states).

**Notes 12.** In this instruction, for convenience of mnemonic description, the source register is made reg2, but the reg1 field is used in the opcode. Therefore, the meaning of register specification in the mnemonic description and in the opcode differs from other instructions.

rrrrr = reg1D specification

RRRRR = reg2 specification

**13.** iiii: Lower 5 bits of imm9.

IIII: Higher 4 bits of imm9.

**14.** Do not specify the same register for general-purpose registers reg1 and reg3.

**15.** sp/imm: specified by bits 19 and 20 of the sub-opcode.

**16.** ff = 00: Load sp in ep.

01: Load sign expanded 16-bit immediate data (bits 47 to 32) in ep.

10: Load 16-bit logically left shifted 16-bit immediate data (bits 47 to 32) in ep.

11: Load 32-bit immediate data (bits 63 to 32) in ep.

**17.** If imm = imm32, n + 3 clocks.

**18.** rrrrr: Other than 00000.

**19.** ddddddd: Higher 7 bits of disp8.

**20.** dddd: Higher 4 bits of disp5.

**21.** ddddd: Higher 6 bits of disp8.

<R>

## APPENDIX E LIST OF CAUTIONS

This appendix lists cautions described in this document.

“Classification (hard/soft)” in table is as follows.

Hard: Cautions for microcontroller internal/external hardware

Soft: Cautions for software such as register settings or programs

| Chapter                           | Classification                                                                                                                                       | Function                      | Details of Function                                                | Cautions                                                                                                                                                                                                                                                                                                                                                  | Page                          |
|-----------------------------------|------------------------------------------------------------------------------------------------------------------------------------------------------|-------------------------------|--------------------------------------------------------------------|-----------------------------------------------------------------------------------------------------------------------------------------------------------------------------------------------------------------------------------------------------------------------------------------------------------------------------------------------------------|-------------------------------|
| Chapter 1                         | Hard                                                                                                                                                 | Introduction                  | ANI0 to ANI11                                                      | To use port 7 (P70/ANI0 to P711/ANI11) as A/D converter function pins and port I/O pins in mix, be sure to observe usage cautions (refer to 11.6 (4) Alternate I/O).                                                                                                                                                                                      | p.24 <input type="checkbox"/> |
|                                   |                                                                                                                                                      |                               | IC                                                                 | Directly connect this pin to V <sub>SS</sub> .                                                                                                                                                                                                                                                                                                            | p.24 <input type="checkbox"/> |
|                                   |                                                                                                                                                      |                               | REGC                                                               | Connect the REGC pin to V <sub>SS</sub> via a 4.7 μF capacitor.                                                                                                                                                                                                                                                                                           | p.24 <input type="checkbox"/> |
|                                   |                                                                                                                                                      |                               | A0 to A15                                                          | Port 9 cannot be used as port pins or other alternate-function pins when the A0 to A15 pins are used in the separate bus mode.                                                                                                                                                                                                                            | p.24 <input type="checkbox"/> |
| Chapter 2                         | Hard                                                                                                                                                 | Pin function                  | Cautions on power application                                      | When the power is turned on, the following pins may momentarily output an undefined level. <ul style="list-style-type: none"> <li>• P10/ANO0<sup>Note</sup> pin</li> <li>• P11/ANO1<sup>Note</sup> pin</li> <li>• P53/KR3 pin</li> </ul>                                                                                                                  | p.47 <input type="checkbox"/> |
| Chapter 3                         | Soft                                                                                                                                                 | CPU function                  | EIPC register<br>EIPSW register<br>FEPC register<br>FEPSW register | Because only one set of these registers is available, the contents of these registers must be saved by program if multiple interrupts are enabled.                                                                                                                                                                                                        | p.51 <input type="checkbox"/> |
|                                   |                                                                                                                                                      |                               | EIPC, FEPC, CTPC registers                                         | Even if EIPC or FEPC, or bit 0 of CTPC is set to 1 by the LDSR instruction, bit 0 is ignored when execution is returned to the main routine by the RETI instruction after interrupt servicing (this is because bit 0 of the PC is fixed to 0). Set an even value to EIPC, FEPC, and CTPC (bit 0 = 0).                                                     | p.51 <input type="checkbox"/> |
|                                   |                                                                                                                                                      |                               | Program space                                                      | Because the 4 KB area of addresses 03FFF000H to 03FFFFFFH is an on-chip peripheral I/O area, instructions cannot be fetched from this area. Therefore, do not execute an operation in which the result of a branch address calculation affects this area.                                                                                                 | p.59 <input type="checkbox"/> |
|                                   |                                                                                                                                                      |                               | On-chip peripheral I/O area                                        | If a register that can be accessed in byte units is accessed in halfword units, the higher 8 bits are undefined when the register is read, and data is written to the lower 8 bits.                                                                                                                                                                       | p.64 <input type="checkbox"/> |
|                                   |                                                                                                                                                      |                               |                                                                    | Addresses not defined as registers are reserved for future expansion. The operation is undefined and not guaranteed when these addresses are accessed.                                                                                                                                                                                                    | p.64 <input type="checkbox"/> |
|                                   |                                                                                                                                                      |                               |                                                                    | The internal ROM/RAM area and on-chip peripheral I/O area are assigned to successive addresses. When accessing the internal ROM/RAM area by incrementing or decrementing addresses using pointer operations and such, therefore, be careful not to access the onchip peripheral I/O area by mistakenly extending over the internal ROM/RAM area boundary. | p.64 <input type="checkbox"/> |
|                                   |                                                                                                                                                      |                               | Programmable peripheral I/O area                                   | The programmable peripheral I/O area exists only in the μPD703253Y. This area cannot be used in the μPD703249Y and 703252Y.                                                                                                                                                                                                                               | p.65 <input type="checkbox"/> |
|                                   |                                                                                                                                                      |                               | A20, A21 pins                                                      | The V850ES/SG1 has 22 address pins (A0 to A21), so the external memory area appears as a repeated 4 MB image. When 22 address pins are used, it is necessary that EV <sub>DD</sub> = BV <sub>DD</sub> = V <sub>DD</sub> .                                                                                                                                 | p.65 <input type="checkbox"/> |
|                                   |                                                                                                                                                      |                               | BPC register                                                       | When setting the PA15 bit to 1, be sure to set the BPC register to 8FFBH.<br>When clearing the PA15 bit to 0, be sure to set the BPC register to 0000H.                                                                                                                                                                                                   | p.79 <input type="checkbox"/> |
| Setting data to special registers | Five NOP instructions or more must be inserted immediately after setting the IDLE1 mode, IDLE2 mode, or STOP mode (by setting the PSC.STP bit to 1). | p.81 <input type="checkbox"/> |                                                                    |                                                                                                                                                                                                                                                                                                                                                           |                               |

| Chapter      | Classification                                                                                          | Function      | Details of Function                                 | Cautions                                                                                                                                                                                                                                                                                                                                                                                                                                              | Page  |                          |
|--------------|---------------------------------------------------------------------------------------------------------|---------------|-----------------------------------------------------|-------------------------------------------------------------------------------------------------------------------------------------------------------------------------------------------------------------------------------------------------------------------------------------------------------------------------------------------------------------------------------------------------------------------------------------------------------|-------|--------------------------|
| Chapter 3    | Soft                                                                                                    | CPU function  | Setting data to special registers                   | When a store instruction is executed to store data in the command register, interrupts are not acknowledged. This is because it is assumed that steps <3> and <4> above are performed by successive store instructions. If another instruction is placed between <3> and <4>, and if an interrupt is acknowledged by that instruction, the above sequence may not be established, causing malfunction.                                                | p.81  | <input type="checkbox"/> |
|              |                                                                                                         |               |                                                     | Although dummy data is written to the PRCMD register, use the same general-purpose register used to set the special register (<4> in Example) to write data to the PRCMD register (<3> in Example). The same applies when a general-purpose register is used for addressing.                                                                                                                                                                          | p.81  | <input type="checkbox"/> |
|              |                                                                                                         |               | Registers to be set first                           | Be sure to set the following registers first when using the V850ES/SG1. <ul style="list-style-type: none"> <li>• System wait control register (VSWC)</li> <li>• On-chip debug mode register (OCDM)</li> <li>• Watchdog timer mode register 2 (WDTM2)</li> </ul>                                                                                                                                                                                       | p.84  | <input type="checkbox"/> |
|              |                                                                                                         |               | VSWC register                                       | Three clocks are required to access an on-chip peripheral I/O register (without a wait cycle). The V850ES/SG1 requires wait cycles according to the operating frequency. Set the following value to the VSWC register in accordance with the frequency used.                                                                                                                                                                                          | p.84  | <input type="checkbox"/> |
|              |                                                                                                         |               | WDTM2 register                                      | Watchdog timer 2 automatically starts in the reset mode after reset is released. Write the WDTM2 register to activate this operation.                                                                                                                                                                                                                                                                                                                 | p.84  | <input type="checkbox"/> |
|              |                                                                                                         |               | Accessing specific on-chip peripheral I/O registers | When specific on-chip peripheral I/O registers are accessed, more wait states may be required in addition to the wait states set by the VSWC register.                                                                                                                                                                                                                                                                                                | p.85  | <input type="checkbox"/> |
|              |                                                                                                         |               |                                                     | Accessing the above registers is prohibited in the following statuses. If a wait cycle is generated, it can only be cleared by a reset. <ul style="list-style-type: none"> <li>• When the CPU operates with the subclock and the main clock oscillation is stopped</li> <li>• When the CPU operates with the internal oscillation clock</li> </ul>                                                                                                    | p.86  | <input type="checkbox"/> |
|              |                                                                                                         |               | System reserved area                                | When the data in the flash memory has been deleted, all the bits are set to 1.                                                                                                                                                                                                                                                                                                                                                                        | p.87  | <input type="checkbox"/> |
| Chapter 4    | Hard, soft                                                                                              | Port function | Port 0                                              | This pin functions alternately as the on-chip debug function pin ( $\overline{DRST}$ ) in the flash memory version (V850ES/SG2 ( $\mu$ PD70F3261Y, 70F3271Y, 70F3281Y)). If the flash memory is used but on-chip debugging is not used, fix the P05/INTP2 pin to low level between when the reset signal of the $\overline{RESET}$ pin is released and when the OCDM.OCDM0 bit is cleared (0). For details, see 4.6.3 Cautions on on-chip debug pins. | p.95  | <input type="checkbox"/> |
|              | Soft                                                                                                    | Port function | PF0 register                                        | When an output pin is pulled up at $EV_{DD}$ or higher, be sure to set the corresponding PF0n bit to 1.                                                                                                                                                                                                                                                                                                                                               | p.97  | <input type="checkbox"/> |
|              |                                                                                                         |               | Port 1                                              | The P10 and P11 pins may momentarily output an undefined level upon power application.                                                                                                                                                                                                                                                                                                                                                                | p.98  | <input type="checkbox"/> |
|              |                                                                                                         |               | P1 register                                         | In the $\mu$ PD703253Y, do not perform read from or write to the P1 register during D/A conversion (refer to 12.4.3 Cautions).                                                                                                                                                                                                                                                                                                                        | p.98  | <input type="checkbox"/> |
|              |                                                                                                         |               | PM1 register                                        | When using P1n as the alternate function (ANOn pin output), set the PM1n bit to 1.                                                                                                                                                                                                                                                                                                                                                                    | p.99  | <input type="checkbox"/> |
|              |                                                                                                         |               |                                                     | In the $\mu$ PD703253Y, when using one of the P10 and P11 pins as an I/O port and the other as a D/A output pin, do so in an application where the port I/O level does not change during D/A output.                                                                                                                                                                                                                                                  | p.99  | <input type="checkbox"/> |
|              |                                                                                                         |               | Port 3 alternate function specifications            | The INTP7 pin and RXDA0 pin are alternate-function pins. When using the pin as the RXDA0 pin, disable edge detection for the INTP7 alternate-function pin. (Clear the INTF3.INTF31 bit and the INTR3.INTR31 bit to 0.) When using the pin as the INTP7 pin, stop UARTA0 reception. (Clear the UA0CTL0.UA0RXE bit to 0.)                                                                                                                               | p.104 | <input type="checkbox"/> |
| PF3 register | When an output pin is pulled up at $EV_{DD}$ or higher, be sure to set the corresponding PF3n bit to 1. | p.105         | <input type="checkbox"/>                            |                                                                                                                                                                                                                                                                                                                                                                                                                                                       |       |                          |

| Chapter   | Classification | Function      | Details of Function                      | Cautions                                                                                                                                                                                                                                                                                                                                                                                                                                                                                                                                                                                                   | Page                                                                                                                                                                                                                                                                                                                                                                                                                                                                                                                                                           |                          |
|-----------|----------------|---------------|------------------------------------------|------------------------------------------------------------------------------------------------------------------------------------------------------------------------------------------------------------------------------------------------------------------------------------------------------------------------------------------------------------------------------------------------------------------------------------------------------------------------------------------------------------------------------------------------------------------------------------------------------------|----------------------------------------------------------------------------------------------------------------------------------------------------------------------------------------------------------------------------------------------------------------------------------------------------------------------------------------------------------------------------------------------------------------------------------------------------------------------------------------------------------------------------------------------------------------|--------------------------|
| Chapter 4 | Soft           | Port function | PF4 register                             | When an output pin is pulled up at EV <sub>DD</sub> or higher, be sure to set the corresponding PF4n bit to 1.                                                                                                                                                                                                                                                                                                                                                                                                                                                                                             | p.108                                                                                                                                                                                                                                                                                                                                                                                                                                                                                                                                                          | <input type="checkbox"/> |
|           |                |               | Port 5                                   | This pin functions alternately as the on-chip debug function pin (DDI, DDO, DCK, or DMS) in the flash memory version (V850ES/SG2 ( $\mu$ PD70F3261Y, 70F3271Y, 70F3281Y)).<br>If the flash memory is used but on-chip debugging is not used, fix the P05/INTP2 pin to low level between when the reset signal of the $\overline{\text{RESET}}$ pin is released and when the OCDM.OCDM0 bit is cleared (0). Although the mask ROM versions do not support the on-chip debug mode, handle the P05/INTP2 pin the same as the flash memory versions.<br>For details, see 4.6.3 Cautions on on-chip debug pins. | p.109                                                                                                                                                                                                                                                                                                                                                                                                                                                                                                                                                          | <input type="checkbox"/> |
|           | Hard, soft     |               |                                          | The P53 pin may momentarily output an undefined level upon power application.                                                                                                                                                                                                                                                                                                                                                                                                                                                                                                                              | p.109                                                                                                                                                                                                                                                                                                                                                                                                                                                                                                                                                          | <input type="checkbox"/> |
|           |                |               | PF5 register                             | When an output pin is pulled up at EV <sub>DD</sub> or higher, be sure to set the corresponding PF5n bit to 1.                                                                                                                                                                                                                                                                                                                                                                                                                                                                                             | p.112                                                                                                                                                                                                                                                                                                                                                                                                                                                                                                                                                          | <input type="checkbox"/> |
|           | Soft           |               | P7H register, P7L register               | Do not perform read or write to the P7H and P7L registers during A/D conversion (refer to 11.6 (4) Alternate I/O).                                                                                                                                                                                                                                                                                                                                                                                                                                                                                         | p.114                                                                                                                                                                                                                                                                                                                                                                                                                                                                                                                                                          | <input type="checkbox"/> |
|           |                |               | PM7H register, PM7L register             | When using the P7n pin as its alternate function (ANIn pin), set the PM7n bit to 1.                                                                                                                                                                                                                                                                                                                                                                                                                                                                                                                        | p.114                                                                                                                                                                                                                                                                                                                                                                                                                                                                                                                                                          | <input type="checkbox"/> |
|           |                |               | PMC9 register                            | Port 9 pins cannot be used as port pins or other alternate-function pins if even one of the A0 to A15 pins is used in the separate bus mode. After setting the PFC9 and PFCE9 registers to 0000H, therefore, set all 16 bits of the PMC9 register to FFFFH at once. If even one of the A0 to A15 pins is not used in the separate bus mode, port 9 pins can be used as port pins or other alternate-function pins.                                                                                                                                                                                         | p.118                                                                                                                                                                                                                                                                                                                                                                                                                                                                                                                                                          | <input type="checkbox"/> |
|           |                |               | PFC9 register                            | Port 9 pins cannot be used as port pins or other alternate-function pins if even one of the A0 to A15 pins is used in the separate bus mode. After setting the PFC9 and PFCE9 registers to 0000H, therefore, set all 16 bits of the PMC9 register to FFFFH at once. If even one of the A0 to A15 pins is not used in the separate bus mode, port 9 pins can be used as port pins or other alternate-function pins.                                                                                                                                                                                         | p.119                                                                                                                                                                                                                                                                                                                                                                                                                                                                                                                                                          | <input type="checkbox"/> |
|           |                |               | Port 9 alternate function specifications | The RXDA1 and KR7 pins must not be used at the same time. When using the RXDA1 pin, do not use the KR7 pin. When using the KR7 pin, do not use the RXDA1 pin (it is recommended to set the PFC91 bit to 1 and clear the PFCE91 bit to 0).                                                                                                                                                                                                                                                                                                                                                                  | p.121                                                                                                                                                                                                                                                                                                                                                                                                                                                                                                                                                          | <input type="checkbox"/> |
|           |                |               | PF9 register                             | When an output pin is pulled up at EV <sub>DD</sub> or higher, be sure to set the corresponding PF9n bit to 1.                                                                                                                                                                                                                                                                                                                                                                                                                                                                                             | p.122                                                                                                                                                                                                                                                                                                                                                                                                                                                                                                                                                          | <input type="checkbox"/> |
|           |                |               | PMCDL register                           | When the SMSEL bit of the EXIMC register = 1 (separate mode) and the BS30 to BS00 bits of the BSC register = 0 (8-bit bus width), do not specify the AD8 to AD15 pins.                                                                                                                                                                                                                                                                                                                                                                                                                                     | p.131                                                                                                                                                                                                                                                                                                                                                                                                                                                                                                                                                          | <input type="checkbox"/> |
|           |                |               | Hard                                     | Using port pin as alternate-function pin                                                                                                                                                                                                                                                                                                                                                                                                                                                                                                                                                                   | In the $\mu$ PD703253Y, when using one of the P10 and P11 pins as an I/O port and the other as a D/A output pin ( <b>ANO0</b> , <b>ANO1</b> ), do so in an application where the port I/O level does not change during D/A output.                                                                                                                                                                                                                                                                                                                             | p.169                    |
|           | Soft           |               |                                          | Cautions on switching from port mode to alternate-function mode                                                                                                                                                                                                                                                                                                                                                                                                                                                                                                                                            | To switch from the port mode to alternate-function mode in the following order.<br><1> Set the PFn register <sup>Note</sup> : N-ch open-drain setting<br><2> Set the PFCn and PFCEn registers: Alternate-function selection<br><3> Set the corresponding bit of the PMCn register to 1: Switch to alternate-function mode<br><br>If the PMCn register is set first, note with caution that, at that moment or depending on the change of the pin states in accordance with the setting of the PFn, PFCn, and PFCEn registers, unexpected operations may occur. | p.175                    |



| Chapter   | Classification | Function      | Details of Function                                               | Caution                                                                                                                                                                                                                                                                                                                                                                                                                                                                                                 | Page                                                                                                                                                                                                                                                                                                                                                                                                                                                                                                                                                                                                                                                                           |                                |
|-----------|----------------|---------------|-------------------------------------------------------------------|---------------------------------------------------------------------------------------------------------------------------------------------------------------------------------------------------------------------------------------------------------------------------------------------------------------------------------------------------------------------------------------------------------------------------------------------------------------------------------------------------------|--------------------------------------------------------------------------------------------------------------------------------------------------------------------------------------------------------------------------------------------------------------------------------------------------------------------------------------------------------------------------------------------------------------------------------------------------------------------------------------------------------------------------------------------------------------------------------------------------------------------------------------------------------------------------------|--------------------------------|
| Chapter 4 | Soft           | Port function | Cautions on switching from port mode to alternate-function mode   | Regardless of the port mode/alternate-function mode, the Pn register is read and written as follows.<br><ul style="list-style-type: none"> <li>• Pn register read: Read the port output latch value (when PMn.PMnm bit = 0), or read the pin states (PMn.PMnm bit = 1).</li> <li>• Pn register write: Write to the port output latch</li> </ul>                                                                                                                                                         | p.175 <input type="checkbox"/>                                                                                                                                                                                                                                                                                                                                                                                                                                                                                                                                                                                                                                                 |                                |
|           |                |               | Cautions on alternate-function mode (input)                       | Therefore, switch between the port mode and alternate-function mode in the following sequence.<br><ul style="list-style-type: none"> <li>• To switch from port mode to alternate-function mode (input)<br/>Set the pins to the alternate-function mode using the PMCn register and then enable the alternate-function operation.</li> <li>• To switch from alternate-function mode (input) to port mode<br/>Stop the alternate-function operation and then switch the pins to the port mode.</li> </ul> | p.176 <input type="checkbox"/>                                                                                                                                                                                                                                                                                                                                                                                                                                                                                                                                                                                                                                                 |                                |
|           |                |               | PFn.PFnm bit in port mode                                         | In port mode, the PFn.PFnm bit is valid only in the output mode (PMn.PMnm bit = 0). In the input mode (PMnm bit = 1), the value of the PFnm bit is not reflected in the buffer.                                                                                                                                                                                                                                                                                                                         | p.177 <input type="checkbox"/>                                                                                                                                                                                                                                                                                                                                                                                                                                                                                                                                                                                                                                                 |                                |
|           |                |               | Cautions on bit manipulation instruction for port n register (Pn) | When a 1-bit manipulation instruction is executed on a port that provides both input and output functions, the value of the output latch of an input port that is not subject to manipulation may be written in addition to the targeted bit.<br>Therefore, it is recommended to rewrite the output latch when switching a port from input mode to output mode.                                                                                                                                         | p.178 <input type="checkbox"/>                                                                                                                                                                                                                                                                                                                                                                                                                                                                                                                                                                                                                                                 |                                |
|           | Hard, soft     |               |                                                                   | Cautions on on-chip debug pins                                                                                                                                                                                                                                                                                                                                                                                                                                                                          | The V850ES/SG1 does not have an on-chip debug function. However, when using V850ES/SG2 ( $\mu$ PD70F3261Y, 70F3271Y, 70F3281Y) as the flash memory version for developing software, the following actions are required.<br><ul style="list-style-type: none"> <li>• Clear the OCDM0 bit of the OCDM register (special register) (0)</li> </ul> At this time, fix the P05/INTP2 pin to low level from when reset by the $\overline{\text{RESET}}$ pin is released until the above action is taken.<br>If a high level is input to the P05/INTP2 pin before the above action is taken, it may cause a malfunction (CPU deadlock). Handle the P05/INTP2 pin with the utmost care. | p.179 <input type="checkbox"/> |
|           |                |               |                                                                   |                                                                                                                                                                                                                                                                                                                                                                                                                                                                                                         | The V850ES/SG1 does not have an on-chip debug function but the P05/INTP2 pin has an onchip pull-down resistor. With the V850ES/SG1, therefore, the on-chip pull-down resistor must be disconnected by clearing the OCDM0 bit to 0.                                                                                                                                                                                                                                                                                                                                                                                                                                             | p.179 <input type="checkbox"/> |
|           | Hard           |               |                                                                   | Cautions on P10, P11, P53 pin when power is turned on                                                                                                                                                                                                                                                                                                                                                                                                                                                   | When the power is turned on, the following pins may output an undefined level temporarily even during reset.<br><ul style="list-style-type: none"> <li>• P10/AND0 pin</li> <li>• P11/ANO1 pin</li> <li>• P53/KR3 pin</li> </ul>                                                                                                                                                                                                                                                                                                                                                                                                                                                | p.180 <input type="checkbox"/> |
|           |                |               |                                                                   | Hysteresis characteristic                                                                                                                                                                                                                                                                                                                                                                                                                                                                               | In port mode, the following port pins do not have hysteresis characteristics.<br>P02 to P06<br>P31 to P35, P37 to P39<br>P40 to P42<br>P50 to P55<br>P90 to P97, P99, P910, and P912 to P915                                                                                                                                                                                                                                                                                                                                                                                                                                                                                   | p.180 <input type="checkbox"/> |
|           | Soft           |               |                                                                   | Cautions on separate bus mode                                                                                                                                                                                                                                                                                                                                                                                                                                                                           | Port 9 pins cannot be used as port pins or other alternate-function pins if even one of the A0 to A15 pins is used in the separate bus mode. After setting the PFC9 and PFCE9 registers to 0000H, therefore, set all 16 bits of the PMC9 register to FFFFH at once. If even one of the A0 to A15 pins is not used in the separate bus mode, port 9 pins can be used as port pins or other alternate-function pins.                                                                                                                                                                                                                                                             | p.180 <input type="checkbox"/> |

| Chapter   | Classification | Function                  | Details of Function                      | Cautions                                                                                                                                                                                                                                                                                                    | Page                           |
|-----------|----------------|---------------------------|------------------------------------------|-------------------------------------------------------------------------------------------------------------------------------------------------------------------------------------------------------------------------------------------------------------------------------------------------------------|--------------------------------|
| Chapter 5 | Soft           | Bus control function      | Pin status when internal ROM is accessed | When a write access is performed to the internal ROM area, address, data, and control signals are activated in the same way as access to the external memory area.                                                                                                                                          | p.182 <input type="checkbox"/> |
|           |                |                           | EXIMC register                           | Set the EXIMC register from the internal ROM or internal RAM area before making an external access.<br>After setting the EXIMC register, be sure to insert a NOP instruction.                                                                                                                               | p.184 <input type="checkbox"/> |
|           |                |                           | BSC register                             | Write to the BSC register after reset, and then do not change the set values. Also, do not access an external memory area until the initial settings of the BSC register are complete.                                                                                                                      | p.185 <input type="checkbox"/> |
|           |                |                           |                                          | Be sure to set bits 14, 12, 10, and 8 to "1", and clear bits 15, 13, 11, 9, 7, 5, 3, and 1 to "0".                                                                                                                                                                                                          | p.185 <input type="checkbox"/> |
|           |                |                           | DWC0 register                            | Write to the DWC0 register after reset, and then do not change the set values. Also, do not access an external memory area until the initial settings of the DWC0 register are complete.                                                                                                                    | p.193 <input type="checkbox"/> |
|           |                |                           |                                          | Be sure to clear bits 15, 11, 7, and 3 to "0".                                                                                                                                                                                                                                                              | p.193 <input type="checkbox"/> |
|           |                |                           | AWC register                             | Write to the AWC register after reset, and then do not change the set values. Also, do not access an external memory area until the initial settings of the AWC register are complete.                                                                                                                      | p.196 <input type="checkbox"/> |
|           |                |                           |                                          | Be sure to set bits 15 to 8 to "1".                                                                                                                                                                                                                                                                         | p.196 <input type="checkbox"/> |
|           |                |                           | BCC register                             | Write to the BCC register after reset, and then do not change the set values. Also, do not access an external memory area until the initial settings of the BCC register are complete.                                                                                                                      | p.197 <input type="checkbox"/> |
|           |                |                           |                                          | Be sure to set bits 15, 13, 11, and 9 to "1", and clear bits 14, 12, 10, 8, 6, 4, 2, and 0 to "0".                                                                                                                                                                                                          | p.197 <input type="checkbox"/> |
| Chapter 6 | Soft           | Clock generation function | PCC register                             | Do not change the CPU clock (by using the CK3 to CK0 bits) while CLKOUT is being output.                                                                                                                                                                                                                    | p.211 <input type="checkbox"/> |
|           |                |                           |                                          | Use a bit manipulation instruction to manipulate the CK3 bit. When using an 8-bit manipulation instruction, do not change the set values of the CK2 to CK0 bits.                                                                                                                                            | p.211 <input type="checkbox"/> |
|           |                |                           |                                          | When stopping the main clock, stop the PLL. Also stop the operations of the on-chip peripheral functions operating with the main clock.                                                                                                                                                                     | p.212 <input type="checkbox"/> |
|           |                |                           |                                          | If the following conditions are not satisfied, change the CK2 to CK0 bits so that the conditions are satisfied, then change to the subclock operation mode.<br>Internal system clock ( $f_{CLK}$ ) > Subclock ( $f_{XT}$ : 32.768 kHz) × 4                                                                  | p.212 <input type="checkbox"/> |
|           |                |                           |                                          | Enable operation of the on-chip peripheral functions operating with the main clock only after the oscillation of the main clock stabilizes. If their operations are enabled before the lapse of the oscillation stabilization time, a malfunction may occur.                                                | p.213 <input type="checkbox"/> |
|           |                |                           | RCM register                             | The internal oscillator cannot be stopped while the CPU is operating on the internal oscillation clock (CCLS.CCLSIF bit = 1). Do not set the RSTOP bit to 1.                                                                                                                                                | p.214 <input type="checkbox"/> |
|           |                |                           |                                          | The internal oscillator oscillates if the CCLS.CCLSIF bit is set to 1 (when WDT overflow occurs during oscillation stabilization) even when the RSTOP bit is set to 1. At this time, the RSTOP bit remains being set to 1.                                                                                  | p.214 <input type="checkbox"/> |
|           |                |                           | PLLCTL register                          | To stop the PLL operation, first set the clock through mode (SELPLL bit = 0), wait for at least 8 clocks, and then stop the PLL (PLLON bit = 0). When the PLLON bit is cleared to 0, the SELPLL bit is automatically cleared to 0 (clock-through mode), but be sure to stop the PLL in the above procedure. | p.216 <input type="checkbox"/> |
|           |                |                           |                                          | The SELPLL bit can be set to 1 only when the PLL clock frequency is stabilized. If not (unlocked), "0" is written to the SELPLL bit if data is written to it.                                                                                                                                               | p.216 <input type="checkbox"/> |

| Chapter          | Classification                                                                                                                                                                                                                                                                                                                                                 | Function                           | Details of Function | Cautions                                                                                                                                                                                                                                                                                                          | Page                           |
|------------------|----------------------------------------------------------------------------------------------------------------------------------------------------------------------------------------------------------------------------------------------------------------------------------------------------------------------------------------------------------------|------------------------------------|---------------------|-------------------------------------------------------------------------------------------------------------------------------------------------------------------------------------------------------------------------------------------------------------------------------------------------------------------|--------------------------------|
| Chapter 6        | Soft                                                                                                                                                                                                                                                                                                                                                           | Clock generation function          | CKC register        | The PLL mode cannot be used at $5.0 \text{ MHz} < f_x \leq 10.0 \text{ MHz}$ .                                                                                                                                                                                                                                    | p.217 <input type="checkbox"/> |
|                  |                                                                                                                                                                                                                                                                                                                                                                |                                    |                     | Before changing the multiplication factor between 4 and 8 by using the CKC register, set the clock-through mode and stop the PLL.                                                                                                                                                                                 | p.217 <input type="checkbox"/> |
|                  |                                                                                                                                                                                                                                                                                                                                                                |                                    |                     | Be sure to set bits 3 and 1 to "1" and clear bits 7 to 4 and 2 to "0".                                                                                                                                                                                                                                            | p.217 <input type="checkbox"/> |
|                  |                                                                                                                                                                                                                                                                                                                                                                |                                    | LOCKR register      | The LOCK register does not reflect the lock status of the PLL in real time.                                                                                                                                                                                                                                       | p.218 <input type="checkbox"/> |
|                  |                                                                                                                                                                                                                                                                                                                                                                |                                    | PLLS register       | Set so that the lockup time is $800 \mu\text{s}$ or longer.                                                                                                                                                                                                                                                       | p.219 <input type="checkbox"/> |
|                  |                                                                                                                                                                                                                                                                                                                                                                |                                    |                     | Do not change the PLLS register setting during the lockup period.                                                                                                                                                                                                                                                 | p.219 <input type="checkbox"/> |
| Chapter 7        | Soft                                                                                                                                                                                                                                                                                                                                                           | 16-bit timer/event counter P (TMP) | TPnCTL0 register    | Set the TPnCKS2 to TPnCKS0 bits when the TPnCE bit = 0.                                                                                                                                                                                                                                                           | p.225 <input type="checkbox"/> |
|                  |                                                                                                                                                                                                                                                                                                                                                                |                                    |                     | When the value of the TPnCE bit is changed from 0 to 1, the TPnCKS2 to TPnCKS0 bits can be set simultaneously.                                                                                                                                                                                                    |                                |
|                  |                                                                                                                                                                                                                                                                                                                                                                |                                    |                     | Be sure to clear bits 3 to 6 to "0".                                                                                                                                                                                                                                                                              | p.225 <input type="checkbox"/> |
|                  |                                                                                                                                                                                                                                                                                                                                                                |                                    | TPnCTL1 register    | Set the TPnEEE and TPnMD2 to TPnMD0 bits when the TPnCTL0.TPnCE bit = 0. (The same value can be written when the TPnCE bit = 1.) The operation is not guaranteed when rewriting is performed with the TPnCE bit = 1. If rewriting was mistakenly performed, clear the TPnCE bit to 0 and then set the bits again. | p.226 <input type="checkbox"/> |
|                  |                                                                                                                                                                                                                                                                                                                                                                |                                    |                     | Be sure to clear bits 3, 4, and 7 to "0".                                                                                                                                                                                                                                                                         | p.226 <input type="checkbox"/> |
|                  |                                                                                                                                                                                                                                                                                                                                                                |                                    | TPnIOC0 registers   | The pin output changes if the setting of the TPnIOC0 register is rewritten when the port is set to output TOPn0 and TOPn1. Therefore, note changes in the pin status by setting the port to the input mode and making the output status of the pins a high-impedance state.                                       | p.228 <input type="checkbox"/> |
|                  |                                                                                                                                                                                                                                                                                                                                                                |                                    |                     | Rewrite the TPnOL1, TPnOE1, TPnOL0, and TPnOE0 bits when the TPnCTL0.TPnCE bit = 0. (The same value can be written when the TPnCE bit = 1.) If rewriting was mistakenly performed, clear the TPnCE bit to 0 and then set the bits again.                                                                          | p.228 <input type="checkbox"/> |
|                  |                                                                                                                                                                                                                                                                                                                                                                |                                    |                     | Even if the TPnOLm bit is manipulated when the TPnCE and TPnOEm bits are 0, the TOPnm pin output level varies ( $m = 0, 1$ ).                                                                                                                                                                                     | p.228 <input type="checkbox"/> |
|                  |                                                                                                                                                                                                                                                                                                                                                                |                                    | TPnIOC1 register    | Rewrite the TPnIS3 to TPnIS0 bits when the TPnCTL0.TPnCE bit = 0. (The same value can be written when the TPnCE bit = 1.) If rewriting was mistakenly performed, clear the TPnCE bit to 0 and then set the bits again.                                                                                            | p.229 <input type="checkbox"/> |
|                  |                                                                                                                                                                                                                                                                                                                                                                |                                    | TPnIOC2 register    | Rewrite the TPnEES1, TPnEES0, TPnETS1, and TPnETS0 bits when the TPnCTL0.TPnCE bit = 0. (The same value can be written when the TPnCE bit = 1.) If rewriting was mistakenly performed, clear the TPnCE bit to 0 and then set the bits again.                                                                      | p.230 <input type="checkbox"/> |
| TPnOPT0 register | Rewrite the TPnCCS1 and TPnCCS0 bits when the TPnCE bit = 0. (The same value can be written when the TPnCE bit = 1.) If rewriting was mistakenly performed, clear the TPnCE bit to 0 and then set the bits again.                                                                                                                                              | p.231 <input type="checkbox"/>     |                     |                                                                                                                                                                                                                                                                                                                   |                                |
|                  | Be sure to clear bits 1 to 3, 6, and 7 to "0".                                                                                                                                                                                                                                                                                                                 | p.231 <input type="checkbox"/>     |                     |                                                                                                                                                                                                                                                                                                                   |                                |
| TPnCCR0 register | Accessing the TPnCCR0 register is prohibited in the following statuses. For details, see 3.4.9 (2) Accessing specific on-chip peripheral I/O registers. <ul style="list-style-type: none"> <li>When the CPU operates with the subclock and the main clock oscillation is stopped</li> <li>When the CPU operates with the internal oscillation clock</li> </ul> | p.232 <input type="checkbox"/>     |                     |                                                                                                                                                                                                                                                                                                                   |                                |
| TPnCCR1 register | Accessing the TPnCCR1 register is prohibited in the following statuses. For details, see 3.4.9 (2) Accessing specific on-chip peripheral I/O registers. <ul style="list-style-type: none"> <li>When the CPU operates with the subclock and the main clock oscillation is stopped</li> <li>When the CPU operates with the internal oscillation clock</li> </ul> | p.234 <input type="checkbox"/>     |                     |                                                                                                                                                                                                                                                                                                                   |                                |

| Chapter                                            | Classification                                                                                                                                                                                               | Function                           | Details of Function                                         | Cautions                                                                                                                                                                                                                                                                                                                                                         | Page                                 |
|----------------------------------------------------|--------------------------------------------------------------------------------------------------------------------------------------------------------------------------------------------------------------|------------------------------------|-------------------------------------------------------------|------------------------------------------------------------------------------------------------------------------------------------------------------------------------------------------------------------------------------------------------------------------------------------------------------------------------------------------------------------------|--------------------------------------|
| Chapter 7                                          | Soft                                                                                                                                                                                                         | 16-bit timer/event counter P (TMP) | TPnCNT register                                             | Accessing the TPnCNT register is prohibited in the following statuses. For details, see 3.4.9 (2) Accessing specific on-chip peripheral I/O registers.<br><ul style="list-style-type: none"> <li>When the CPU operates with the subclock and the main clock oscillation is stopped</li> <li>When the CPU operates with the internal oscillation clock</li> </ul> | p.236 <input type="checkbox"/>       |
|                                                    |                                                                                                                                                                                                              |                                    | Operation                                                   | To use the external event count mode, specify that the valid edge of the TIPn0 pin capture trigger input is not detected (by clearing the TPnIOC1.TPnIS1 and TPnIOC1.TPnIS0 bits to "00").                                                                                                                                                                       | p.238 <input type="checkbox"/>       |
|                                                    |                                                                                                                                                                                                              |                                    |                                                             | To use the external trigger pulse output mode, one-shot pulse output mode, or pulse width measurement mode, select the internal clock (by setting the TPnCTL1.TPnEEE bit to 0) as the count clock.                                                                                                                                                               | p.238 <input type="checkbox"/>       |
|                                                    |                                                                                                                                                                                                              |                                    | Overflow operation                                          | After the overflow interrupt request signal (INTTPnOV) has been generated, be sure to check that the overflow flag (TPnOVF bit) is set to 1.                                                                                                                                                                                                                     | p.239 <input type="checkbox"/>       |
|                                                    |                                                                                                                                                                                                              |                                    | Batch write                                                 | Writing to the TPnCCR1 register includes enabling of batch write. Thus, rewrite the TPnCCR1 register after rewriting the TPnCCR0 register.                                                                                                                                                                                                                       | p.243 <input type="checkbox"/>       |
|                                                    |                                                                                                                                                                                                              |                                    | Notes on rewriting TPnCCR0 register                         | When the value of the TPnCCR0 register is rewritten to a smaller value during counting, the 16-bit counter may overflow. If there is a possibility of overflow, stop counting and then change the set value.                                                                                                                                                     | pp.252, 263 <input type="checkbox"/> |
|                                                    |                                                                                                                                                                                                              |                                    | External event count mode                                   | In the external event count mode, the TPnCCR0 and TPnCCR1 registers must not be cleared to 0000H.                                                                                                                                                                                                                                                                | p.257 <input type="checkbox"/>       |
|                                                    |                                                                                                                                                                                                              |                                    | Register setting for operation in external event count mode | Set 00H to the TPnIOC0 register.                                                                                                                                                                                                                                                                                                                                 | p.260 <input type="checkbox"/>       |
|                                                    |                                                                                                                                                                                                              |                                    |                                                             | When the external clock is used as the count clock, the external clock can be input only from the TIPn0 pin. At this time, clear the TPnIOC1.TPnIS1 and TPnIS0 bits to 00 (capture trigger input (TIPn0 pin): No edge detected).                                                                                                                                 | p.260 <input type="checkbox"/>       |
|                                                    |                                                                                                                                                                                                              |                                    | Operation timing in external event count mode               | In the external event count mode, do not set the TPnCCR0 and TPnCCR1 registers to 0000H.                                                                                                                                                                                                                                                                         | p.262 <input type="checkbox"/>       |
|                                                    |                                                                                                                                                                                                              |                                    |                                                             | In the external event count mode, use of the timer output (TOPn0, TOPn1) is disabled.                                                                                                                                                                                                                                                                            | p.262 <input type="checkbox"/>       |
|                                                    |                                                                                                                                                                                                              |                                    | External trigger pulse output mode                          | In external trigger pulse output mode, select the internal clock (set TPnCTL1.TPnEEE bit = 0) as the count clock.                                                                                                                                                                                                                                                | p.266 <input type="checkbox"/>       |
|                                                    |                                                                                                                                                                                                              |                                    | Note on changing pulse width during operation               | To change the PWM waveform while the counter is operating, write the TPnCCR1 register last.<br>Rewrite the TPnCCRm register after writing the TPnCCR1 register after the INTTPnCC0 signal is detected.                                                                                                                                                           | p.272 <input type="checkbox"/>       |
|                                                    |                                                                                                                                                                                                              |                                    | One-shot pulse output mode                                  | In one-shot pulse output mode, select the internal clock (set TPnCTL1.TPnEEE bit = 0) as the count clock.                                                                                                                                                                                                                                                        | p.278 <input type="checkbox"/>       |
| Setting of registers in one-shot pulse output mode | The one-shot pulse is not output if the set value of the TPnCCR1 register is greater than the set value of the TPnCCR0 register in the one-shot pulse output mode.                                           | p.281 <input type="checkbox"/>     |                                                             |                                                                                                                                                                                                                                                                                                                                                                  |                                      |
| Notes on rewriting TPnCCRm register                | When the value of the TPnCCRm register is rewritten to a smaller value during counting, the 16-bit counter may overflow. If there is a possibility of overflow, stop counting and then change the set value. | p.283 <input type="checkbox"/>     |                                                             |                                                                                                                                                                                                                                                                                                                                                                  |                                      |

| Chapter      | Classification                                                                                                                                                | Function                           | Details of Function                                        | Cautions                                                                                                                                                                                                                                                                                                                                                                                                                                                                                                                                                                                 | Page                                                             |                 |                                                                                                                                                                                                                                                                                                         |                                                                                                    |
|--------------|---------------------------------------------------------------------------------------------------------------------------------------------------------------|------------------------------------|------------------------------------------------------------|------------------------------------------------------------------------------------------------------------------------------------------------------------------------------------------------------------------------------------------------------------------------------------------------------------------------------------------------------------------------------------------------------------------------------------------------------------------------------------------------------------------------------------------------------------------------------------------|------------------------------------------------------------------|-----------------|---------------------------------------------------------------------------------------------------------------------------------------------------------------------------------------------------------------------------------------------------------------------------------------------------------|----------------------------------------------------------------------------------------------------|
| Chapter 7    | Hard                                                                                                                                                          | 16-bit timer/event counter P (TMP) | Processing of overflow if capture trigger interval is long | If the pulse width is greater than one cycle of the 16-bit counter, care must be exercised because an overflow may occur more than once from the first capture trigger to the next.                                                                                                                                                                                                                                                                                                                                                                                                      | p.309 <input type="checkbox"/>                                   |                 |                                                                                                                                                                                                                                                                                                         |                                                                                                    |
|              |                                                                                                                                                               |                                    | Note on capture operation                                  | If the capture operation is used and if a slow clock is selected as the count clock, FFFFH, not 0000H, may be captured to the TPnCCRm register if the capture trigger is input immediately after the TPnCTL0.TPnCE bit is set to 1.                                                                                                                                                                                                                                                                                                                                                      | p.311 <input type="checkbox"/>                                   |                 |                                                                                                                                                                                                                                                                                                         |                                                                                                    |
|              | Soft                                                                                                                                                          |                                    | Pulse width measurement mode (TPnMD2 to TPnMD0 bits = 110) | When in pulse width measurement mode, select the internal clock (set TPnCTL1.TPnEEE bit = 0) as the count clock.<br>If a slow clock is selected as the count clock, FFFFH, not 0000H, may be captured to the TPnCCRm register if the capture trigger is input immediately after the TPnCTL0.TPnCE bit has been set to 1.                                                                                                                                                                                                                                                                 | p.312 <input type="checkbox"/><br>p.317 <input type="checkbox"/> |                 |                                                                                                                                                                                                                                                                                                         |                                                                                                    |
|              |                                                                                                                                                               |                                    | 16-bit interval timer M (TMM)                              | Do not set the TM0CMP0 register to FFFFH.                                                                                                                                                                                                                                                                                                                                                                                                                                                                                                                                                | p.320 <input type="checkbox"/>                                   |                 |                                                                                                                                                                                                                                                                                                         |                                                                                                    |
| Chapter 8    | Soft                                                                                                                                                          | 16-bit interval timer M (TMM)      | TM0CTL0 register                                           | Set the TM0CKS2 to TM0CKS0 bits when TMOCE bit = 0.<br>When changing the value of TMOCE from 0 to 1, it is not possible to set the value of the TM0CKS2 to TM0CKS0 bits simultaneously.<br>Be sure to clear bits 3 to 6 to "0".                                                                                                                                                                                                                                                                                                                                                          | p.321<br>p.321 <input type="checkbox"/>                          |                 |                                                                                                                                                                                                                                                                                                         |                                                                                                    |
|              |                                                                                                                                                               |                                    | Interval timer mode operation timing                       | Do not set the TM0CMP0 register to FFFFH.                                                                                                                                                                                                                                                                                                                                                                                                                                                                                                                                                | pp.322, 325, 326 <input type="checkbox"/>                        |                 |                                                                                                                                                                                                                                                                                                         |                                                                                                    |
|              |                                                                                                                                                               |                                    | Count operation                                            | It takes the 16-bit counter up to the following time to start counting after the TM0CTL0.TMOCE bit is set to 1, depending on the count clock selected.                                                                                                                                                                                                                                                                                                                                                                                                                                   | p.326 <input type="checkbox"/>                                   |                 |                                                                                                                                                                                                                                                                                                         |                                                                                                    |
|              |                                                                                                                                                               |                                    | TM0CMP0, TM0CTL0 registers                                 | Rewriting the TM0CMP0 and TM0CTL0 registers is prohibited while TMM0 is operating.<br>If these registers are rewritten while the TMOCE bit is 1, the operation cannot be guaranteed.<br>If they are rewritten by mistake, clear the TM0CTL0.TMOCE bit to 0, and re-set the registers.                                                                                                                                                                                                                                                                                                    | p.326 <input type="checkbox"/>                                   |                 |                                                                                                                                                                                                                                                                                                         |                                                                                                    |
|              |                                                                                                                                                               |                                    | Chapter 9                                                  | Soft                                                                                                                                                                                                                                                                                                                                                                                                                                                                                                                                                                                     | Watch timer function                                             | PRSM0 register  | Do not change the values of the BGCS00 and BGCS01 bits during watch timer operation.<br>Set the PRSM0 register before setting the BGCE0 bit to 1.<br>Set the PRSM0 and PRSCM0 registers according to the main clock frequency that is used so as to obtain an f <sub>BRG</sub> frequency of 32.768 kHz. | p.330 <input type="checkbox"/><br>p.330 <input type="checkbox"/><br>p.330 <input type="checkbox"/> |
|              |                                                                                                                                                               |                                    |                                                            |                                                                                                                                                                                                                                                                                                                                                                                                                                                                                                                                                                                          |                                                                  | PRSCM0 register | Do not rewrite the PRSCM0 register during watch timer operation.<br>Set the PRSCM0 register before setting the PRSM0.BGCE0 bit to 1.<br>Set the PRSM0 and PRSCM0 registers according to the main clock frequency that is used so as to obtain an f <sub>BRG</sub> frequency of 32.768 kHz.              | p.331 <input type="checkbox"/><br>p.331 <input type="checkbox"/><br>p.331 <input type="checkbox"/> |
| WTM register | Rewrite the WTM2 to WTM7 bits while both the WTM0 and WTM1 bits are 0.                                                                                        | p.333 <input type="checkbox"/>     |                                                            |                                                                                                                                                                                                                                                                                                                                                                                                                                                                                                                                                                                          |                                                                  |                 |                                                                                                                                                                                                                                                                                                         |                                                                                                    |
| INTWT signal | Some time is required before the first watch timer interrupt request signal (INTWT) is generated after operation is enabled (WTM.WTM1 and WTM.WTM0 bits = 1). | p.336 <input type="checkbox"/>     |                                                            |                                                                                                                                                                                                                                                                                                                                                                                                                                                                                                                                                                                          |                                                                  |                 |                                                                                                                                                                                                                                                                                                         |                                                                                                    |
| Chapter 10   | Soft                                                                                                                                                          | Functions of watchdog timer 2      | Default start watchdog timer                               | Watchdog timer 2 automatically starts in the reset mode following reset release.<br>When watchdog timer 2 is not used, either stop its operation before reset is executed via this function, or clear watchdog timer 2 once and stop it within the next interval time.<br>Also, write to the WDTM2 register for verification purposes only once, even if the default settings (reset mode, interval time: $f_r/2^{19}$ ) do not need to be changed.<br>For the non-maskable interrupt servicing due to a non-maskable interrupt request signal (INTWDT2), see 19.2.2 (2) INTWDT2 signal. | p.337 <input type="checkbox"/><br>p.337 <input type="checkbox"/> |                 |                                                                                                                                                                                                                                                                                                         |                                                                                                    |

| Chapter    | Classification                                                                                                                                                                                                                                                                              | Function                      | Details of Function      | Cautions                                                                                                                                                                                                                                                                                                                                                                          | Page                                                                                                                                                                                                   |                          |                          |
|------------|---------------------------------------------------------------------------------------------------------------------------------------------------------------------------------------------------------------------------------------------------------------------------------------------|-------------------------------|--------------------------|-----------------------------------------------------------------------------------------------------------------------------------------------------------------------------------------------------------------------------------------------------------------------------------------------------------------------------------------------------------------------------------|--------------------------------------------------------------------------------------------------------------------------------------------------------------------------------------------------------|--------------------------|--------------------------|
| Chapter 10 | Soft                                                                                                                                                                                                                                                                                        | Functions of watchdog timer 2 | WDTM2 register           | Accessing the WDTM2 register is prohibited in the following statuses. For details, refer to 3.4.9 (2) Accessing specific on-chip peripheral I/O registers.                                                                                                                                                                                                                        | p.339                                                                                                                                                                                                  | <input type="checkbox"/> |                          |
|            |                                                                                                                                                                                                                                                                                             |                               |                          | <ul style="list-style-type: none"> <li>When the CPU operates with the subclock and the main clock oscillation is stopped</li> <li>When the CPU operates with the internal oscillation clock</li> </ul>                                                                                                                                                                            |                                                                                                                                                                                                        |                          |                          |
|            |                                                                                                                                                                                                                                                                                             |                               |                          | Although watchdog timer 2 can be stopped just by stopping operation of the internal oscillator, clear the WDTM2 register to 00H to securely stop the timer (to avoid selection of the main clock or subclock due to an erroneous write operation).                                                                                                                                | p.339                                                                                                                                                                                                  | <input type="checkbox"/> |                          |
|            |                                                                                                                                                                                                                                                                                             |                               |                          | If the WDTM2 register is rewritten twice after reset, an overflow signal is forcibly generated and the counter is reset.                                                                                                                                                                                                                                                          | p.339                                                                                                                                                                                                  | <input type="checkbox"/> |                          |
|            |                                                                                                                                                                                                                                                                                             |                               |                          | To intentionally generate an overflow signal, write to the WDTM2 register only twice or write a value other than ACH to the WDTE register once. However, when watchdog timer 2 is set to stop operation, an overflow signal is not generated even if data is written to the WDTM2 register only twice, or a value other than "ACH" is written to the WDTE register only once.     | p.339                                                                                                                                                                                                  | <input type="checkbox"/> |                          |
|            |                                                                                                                                                                                                                                                                                             |                               |                          | To stop the operation of watchdog timer 2, set the RCM.RSTOP bit to 1 (to stop the internal oscillator) and write 00H in the WDTM2 register. If the RCM.RSTOP bit cannot be set to 1, set the WDCS23 bit to 1 ( $2^0/f_{xx}$ is selected and the clock can be stopped in the IDLE1, IDLW2, sub-IDLE, and subclock operation modes).                                               | p.339                                                                                                                                                                                                  | <input type="checkbox"/> |                          |
|            |                                                                                                                                                                                                                                                                                             |                               | WDTE register            | When a value other than "ACH" is written to the WDTE register, an overflow signal is forcibly output.                                                                                                                                                                                                                                                                             | p.341                                                                                                                                                                                                  | <input type="checkbox"/> |                          |
|            |                                                                                                                                                                                                                                                                                             |                               |                          | When a 1-bit memory manipulation instruction is executed for the WDTE register, an overflow signal is forcibly output.                                                                                                                                                                                                                                                            | p.341                                                                                                                                                                                                  | <input type="checkbox"/> |                          |
|            |                                                                                                                                                                                                                                                                                             |                               |                          | To intentionally generate an overflow signal, write to the WDTM2 register only twice or write a value other than ACH to the WDTE register once. However, when the watchdog timer 2 is set to stop operation, an overflow signal is not generated even if data is written to the WDTM2 register only twice, or a value other than "ACH" is written to the WDTE register only once. | p.341                                                                                                                                                                                                  | <input type="checkbox"/> |                          |
|            |                                                                                                                                                                                                                                                                                             |                               |                          | The read value of the WDTE register is "9AH" (which differs from written value "ACH").                                                                                                                                                                                                                                                                                            | p.341                                                                                                                                                                                                  | <input type="checkbox"/> |                          |
|            |                                                                                                                                                                                                                                                                                             |                               |                          |                                                                                                                                                                                                                                                                                                                                                                                   |                                                                                                                                                                                                        |                          |                          |
| Chapter 11 | Hard                                                                                                                                                                                                                                                                                        | A/D converter                 | ANI0 to ANI11 pins       | Make sure that the voltages input to the ANI0 to ANI11 pins do not exceed the rated values. In particular if a voltage of $AV_{REF0}$ or higher is input to a channel, the conversion value of that channel becomes undefined, and the conversion values of the other channels may also be affected.                                                                              | p.346                                                                                                                                                                                                  | <input type="checkbox"/> |                          |
|            |                                                                                                                                                                                                                                                                                             |                               |                          |                                                                                                                                                                                                                                                                                                                                                                                   |                                                                                                                                                                                                        |                          |                          |
|            | Soft                                                                                                                                                                                                                                                                                        |                               |                          | ADA0M0 register                                                                                                                                                                                                                                                                                                                                                                   | Accessing the ADA0M0 register is prohibited in the following statuses. For details, refer to 3.4.9 (2) Accessing specific on-chip peripheral I/O registers.                                            | p.347                    | <input type="checkbox"/> |
|            |                                                                                                                                                                                                                                                                                             |                               |                          |                                                                                                                                                                                                                                                                                                                                                                                   | <ul style="list-style-type: none"> <li>When the CPU operates with the subclock and the main clock oscillation is stopped</li> <li>When the CPU operates with the internal oscillation clock</li> </ul> |                          |                          |
|            |                                                                                                                                                                                                                                                                                             |                               |                          |                                                                                                                                                                                                                                                                                                                                                                                   | Changing the ADA0M1 register bits is prohibited while A/D conversion is enabled (ADA0CE bit = 1).                                                                                                      | p.348                    | <input type="checkbox"/> |
|            | Stop the A/D conversion operation (ADA0CE = 0) before writing to the ADA0M0, ADA0M2, ADA0S, ADA0PFM, or ADA0PFT register in either of the following modes, then enable the A/D conversion operation (ADA0CE = 1).                                                                           | p.348                         | <input type="checkbox"/> |                                                                                                                                                                                                                                                                                                                                                                                   |                                                                                                                                                                                                        |                          |                          |
|            | <ul style="list-style-type: none"> <li>Normal conversion mode</li> <li>One-shot select mode/one-shot scan mode in high-speed conversion mode</li> </ul>                                                                                                                                     |                               |                          |                                                                                                                                                                                                                                                                                                                                                                                   |                                                                                                                                                                                                        |                          |                          |
|            | When the external trigger or timer trigger mode is selected (ADA0TMD bit = 1), set the high-speed conversion mode (ADA0M1.ADA0HS1 bit = 1). Do not input a trigger during the stabilization time that is inserted only once after the A/D conversion operation is enabled (ADA0CE bit = 1). | p.348                         | <input type="checkbox"/> |                                                                                                                                                                                                                                                                                                                                                                                   |                                                                                                                                                                                                        |                          |                          |

| Chapter            | Classification                                                                                                                                                                                                                     | Function                       | Details of Function         | Cautions                                                                                                                                                                                                                                                                                                                                                                                                                                                                                                                                                                                                                                                                                                   | Page                                 |
|--------------------|------------------------------------------------------------------------------------------------------------------------------------------------------------------------------------------------------------------------------------|--------------------------------|-----------------------------|------------------------------------------------------------------------------------------------------------------------------------------------------------------------------------------------------------------------------------------------------------------------------------------------------------------------------------------------------------------------------------------------------------------------------------------------------------------------------------------------------------------------------------------------------------------------------------------------------------------------------------------------------------------------------------------------------------|--------------------------------------|
| Chapter 11         | Soft                                                                                                                                                                                                                               | A/D converter                  | ADA0M1 register             | Changing the ADA0M1 register is prohibited while A/D conversion is enabled (ADA0M0.ADA0CE bit = 1).                                                                                                                                                                                                                                                                                                                                                                                                                                                                                                                                                                                                        | p.349 <input type="checkbox"/>       |
|                    |                                                                                                                                                                                                                                    |                                |                             | When the external trigger or timer trigger mode is selected (ADA0M0.ADA0TMD bit = 1), set high-speed conversion mode (ADA0HS1 bit = 1), and do not input a trigger during the stabilization time that is inserted only once after the A/D conversion operation is enabled (ADA0CE = 1).                                                                                                                                                                                                                                                                                                                                                                                                                    | p.349 <input type="checkbox"/>       |
|                    |                                                                                                                                                                                                                                    |                                |                             | Be sure to clear bits 6 to 3 to "0".                                                                                                                                                                                                                                                                                                                                                                                                                                                                                                                                                                                                                                                                       | p.349 <input type="checkbox"/>       |
|                    |                                                                                                                                                                                                                                    |                                |                             | Set as $2.6 \mu\text{s} \leq \text{conversion time} \leq 10.4 \mu\text{s}$ .                                                                                                                                                                                                                                                                                                                                                                                                                                                                                                                                                                                                                               | pp.350, 351 <input type="checkbox"/> |
|                    |                                                                                                                                                                                                                                    |                                | ADA0M2 register             | Stop the A/D conversion operation (ADA0M0.ADA0CE = 0) before writing to the ADA0M2 register in either of the following modes, then enable the A/D conversion operation (ADA0CE = 1).<br><ul style="list-style-type: none"> <li>• Normal conversion mode</li> <li>• One-shot select mode/one-shot scan mode in high-speed conversion mode</li> </ul> Be sure to clear bits 7 to 2 to "0".                                                                                                                                                                                                                                                                                                                   | p.352 <input type="checkbox"/>       |
|                    |                                                                                                                                                                                                                                    |                                | ADA0S register              | Stop the A/D conversion operation (ADA0M0.ADA0CE = 0) before writing to the ADA0S register in either of the following modes, then enable the A/D conversion operation (ADA0CE = 1).<br><ul style="list-style-type: none"> <li>• Normal conversion mode</li> <li>• One-shot select mode/one-shot scan mode in high-speed conversion mode</li> </ul> Be sure to clear bits 7 to 4 to "0".                                                                                                                                                                                                                                                                                                                    | p.353 <input type="checkbox"/>       |
|                    |                                                                                                                                                                                                                                    |                                | ADA0CRn, ADA0CRnH registers | Accessing the ADA0CRn and ADA0CRnH registers is prohibited in the following statuses. For details, refer to 3.4.9 (2) Accessing specific on-chip peripheral I/O registers.<br><ul style="list-style-type: none"> <li>• When the CPU operates with the subclock and the main clock oscillation is stopped</li> <li>• When the CPU operates with the internal oscillation clock</li> </ul> A write operation to the ADA0M0 and ADA0S registers may cause the contents of the ADA0CRn register to become undefined. After the conversion, read the conversion result before writing to the ADA0M0 and ADA0S registers. Correct conversion results may not be read if a sequence other than the above is used. | p.354 <input type="checkbox"/>       |
|                    |                                                                                                                                                                                                                                    |                                | ADA0PFM register            | Stop the A/D conversion operation (ADA0M0.ADA0CE = 0) before writing to the ADA0PFM register in either of the following modes, then enable the A/D conversion operation (ADA0CE = 1).<br><ul style="list-style-type: none"> <li>• Normal conversion mode</li> <li>• One-shot select mode/one-shot scan mode in high-speed conversion mode</li> </ul>                                                                                                                                                                                                                                                                                                                                                       | p.356 <input type="checkbox"/>       |
|                    |                                                                                                                                                                                                                                    |                                | ADA0PFT register            | Stop the A/D conversion operation (ADA0M0.ADA0CE = 0) before writing to the ADA0PFT register in either of the following modes, then enable the A/D conversion operation (ADA0CE = 1).<br><ul style="list-style-type: none"> <li>• Normal conversion mode</li> <li>• One-shot select mode/one-shot scan mode in high-speed conversion mode</li> </ul>                                                                                                                                                                                                                                                                                                                                                       | p.357 <input type="checkbox"/>       |
|                    |                                                                                                                                                                                                                                    |                                | External trigger mode       | When the external trigger mode is selected, set the high-speed conversion mode. Do not input a trigger during stabilization time that is inserted only once after the A/D conversion operation is enabled (ADA0M0.ADA0CE bit = 1).                                                                                                                                                                                                                                                                                                                                                                                                                                                                         | p.360 <input type="checkbox"/>       |
| Timer trigger mode | When the external trigger mode is selected, set the high-speed conversion mode. Do not input a trigger during stabilization time that is inserted only once after the A/D conversion operation is enabled (ADA0M0.ADA0CE bit = 1). | p.361 <input type="checkbox"/> |                             |                                                                                                                                                                                                                                                                                                                                                                                                                                                                                                                                                                                                                                                                                                            |                                      |

| Chapter    | Classification | Function      | Details of Function               | Cautions                                                                                                                                                                                                                                                                                                                                                                                                                                                                                                                                                                                                                                                         | Page                           |
|------------|----------------|---------------|-----------------------------------|------------------------------------------------------------------------------------------------------------------------------------------------------------------------------------------------------------------------------------------------------------------------------------------------------------------------------------------------------------------------------------------------------------------------------------------------------------------------------------------------------------------------------------------------------------------------------------------------------------------------------------------------------------------|--------------------------------|
| Chapter 11 | Soft           | A/D converter | Input range of ANI0 to ANI11 pins | Input the voltage within the specified range to the ANI0 to ANI11 pins. If a voltage equal to or higher than $AV_{REF0}$ or equal to or lower than $AV_{SS}$ (even within the range of the absolute maximum ratings) is input to any of these pins, the conversion value of that channel is undefined, and the conversion value of the other channels may also be affected.                                                                                                                                                                                                                                                                                      | p.371 <input type="checkbox"/> |
|            |                |               | Counter-measures against noise    | To maintain the 10-bit resolution, the ANI0 to ANI11 pins must be effectively protected from noise. The influence of noise increases as the output impedance of the analog input source becomes higher. To lower the noise, connecting an external capacitor as shown in Figure 11-12 is recommended.                                                                                                                                                                                                                                                                                                                                                            | p.371 <input type="checkbox"/> |
|            |                |               | Alternate I/O                     | The analog input (ANI0 to ANI11) pins are multiplexed with port pins. The $AV_{REF0}$ power pin is multiplexed with the reference power supply to the A/D converter and the I/O buffer power supply of port 7. If any of the following processings is performed during A/D conversion, therefore, the expected A/D conversion value may not be obtained.                                                                                                                                                                                                                                                                                                         | p.372 <input type="checkbox"/> |
|            |                |               | Interrupt request flag (ADIF)     | The interrupt request flag (ADIF) is not cleared even if the contents of the ADA0S register are changed. If the analog input pin is changed during A/D conversion, therefore, the result of converting the previously selected analog input signal may be stored and the conversion end interrupt request flag may be set immediately before the ADA0S register is rewritten. If the ADIF flag is read immediately after the ADA0S register is rewritten, the ADIF flag may be set even though the A/D conversion of the newly selected analog input pin has not been completed. When A/D conversion is stopped, clear the ADIF flag before resuming conversion. | p.373 <input type="checkbox"/> |
|            | Hard           | A/D converter | $AV_{REF0}$ pin                   | The $AV_{REF0}$ pin is used as the power supply pin of the A/D converter and also supplies power to the alternate-function ports. In an application where a backup power supply is used, be sure to supply the same voltage as $V_{DD}$ to the $AV_{REF0}$ pin as shown in Figure 11-15.                                                                                                                                                                                                                                                                                                                                                                         | p.374 <input type="checkbox"/> |
|            |                |               |                                   | The $AV_{REF0}$ pin is also used as the reference voltage pin of the A/D converter. If the source supplying power to the $AV_{REF0}$ pin has a high impedance or if the power supply has a low current supply capability, the reference voltage may fluctuate due to the current that flows during conversion (especially, immediately after the conversion operation enable bit ADA0CE has been set to 1). As a result, the conversion accuracy may drop. To avoid this, it is recommended to connect a capacitor across the $AV_{REF0}$ and $AV_{SS}$ pins to suppress the reference voltage fluctuation as shown in Figure 11-15.                             | p.374 <input type="checkbox"/> |
|            |                |               |                                   | If the source supplying power to the $AV_{REF0}$ pin has a high DC resistance (for example, because of insertion of a diode), the voltage when conversion is enabled may be lower than the voltage when conversion is stopped, because of a voltage drop caused by the A/D conversion current.                                                                                                                                                                                                                                                                                                                                                                   | p.374 <input type="checkbox"/> |
|            | Soft           | A/D converter | Reading ADA0CRn register          | When the ADA0M0 to ADA0M2, ADA0S, ADA0PFM, or ADA0PFT register is written, the contents of the ADA0CRn register may be undefined. Read the conversion result after completion of conversion and before writing to the ADA0M0 to ADA0M2, ADA0S, ADA0PFM, or ADA0PFT register. Also, when an external/timer trigger is acknowledged, the contents of the ADA0CRn register may be undefined. Read the conversion result after completion of conversion and before the next external/timer trigger is acknowledged. The correct conversion result may not be read at a timing different from the above.                                                              | p.374 <input type="checkbox"/> |



| Chapter    | Classification | Function                                                                                                                                                                                                                                                                                                                  | Details of Function                                                                                                                                                                                                                                                                                                                                                                                                                                                                                                                                                                                                                                                                                                                                                                                                                                                                                                                                                                                                            | Caution                                                                                                                                                                                                                                                                                                                                                                                                                                                                                                                                                                                                                                                                                                                                                                                                                                                                                                               | Page                           |
|------------|----------------|---------------------------------------------------------------------------------------------------------------------------------------------------------------------------------------------------------------------------------------------------------------------------------------------------------------------------|--------------------------------------------------------------------------------------------------------------------------------------------------------------------------------------------------------------------------------------------------------------------------------------------------------------------------------------------------------------------------------------------------------------------------------------------------------------------------------------------------------------------------------------------------------------------------------------------------------------------------------------------------------------------------------------------------------------------------------------------------------------------------------------------------------------------------------------------------------------------------------------------------------------------------------------------------------------------------------------------------------------------------------|-----------------------------------------------------------------------------------------------------------------------------------------------------------------------------------------------------------------------------------------------------------------------------------------------------------------------------------------------------------------------------------------------------------------------------------------------------------------------------------------------------------------------------------------------------------------------------------------------------------------------------------------------------------------------------------------------------------------------------------------------------------------------------------------------------------------------------------------------------------------------------------------------------------------------|--------------------------------|
| Chapter 11 | Soft           | A/D converter                                                                                                                                                                                                                                                                                                             | Standby mode                                                                                                                                                                                                                                                                                                                                                                                                                                                                                                                                                                                                                                                                                                                                                                                                                                                                                                                                                                                                                   | Because the A/D converter stops operating in the STOP mode, conversion results are invalid, so power consumption can be reduced. Operations are resumed after the STOP mode is released, but the A/D conversion results after the STOP mode is released are invalid. When using the A/D converter after the STOP mode is released, before setting the STOP mode or releasing the STOP mode, clear the ADA0M0.ADA0CE bit to 0 then set the ADA0CE bit to 1 after releasing the STOP mode.<br><br>In the IDLE1, IDLE2, or subclock operation mode, operation continues. To lower the power consumption, therefore, clear the ADA0M0.ADA0CE bit to 0. In the IDLE1 and IDLE2 modes, since the analog input voltage value cannot be retained, the A/D conversion results after the IDLE1 and IDLE2 modes are released are invalid.<br><br>The results of conversions before the IDLE1 and IDLE2 modes were set are valid. | p.374 <input type="checkbox"/> |
|            |                |                                                                                                                                                                                                                                                                                                                           | Restriction for each mode                                                                                                                                                                                                                                                                                                                                                                                                                                                                                                                                                                                                                                                                                                                                                                                                                                                                                                                                                                                                      | When the external trigger mode or timer trigger mode is selected, set the high-speed conversion mode. Do not input a trigger during stabilization time that is inserted only once after the A/D conversion operation is enabled (ADA0M0.ADA0CE bit = 1).                                                                                                                                                                                                                                                                                                                                                                                                                                                                                                                                                                                                                                                              | p.375 <input type="checkbox"/> |
|            |                |                                                                                                                                                                                                                                                                                                                           | Variation of A/D conversion results                                                                                                                                                                                                                                                                                                                                                                                                                                                                                                                                                                                                                                                                                                                                                                                                                                                                                                                                                                                            | The results of the A/D conversion may vary depending on the fluctuation of the supply voltage, or may be affected by noise. To reduce the variation, take counteractive measures with the program such as averaging the A/D conversion results.                                                                                                                                                                                                                                                                                                                                                                                                                                                                                                                                                                                                                                                                       | p.375 <input type="checkbox"/> |
|            | Hard           | A/D conversion result hysteresis characteristics                                                                                                                                                                                                                                                                          | The successive comparison type A/D converter holds the analog input voltage in the internal sample & hold capacitor and then performs A/D conversion. After the A/D conversion has finished, the analog input voltage remains in the internal sample & hold capacitor. As a result, the following phenomena may occur.<br><ul style="list-style-type: none"> <li>• When the same channel is used for A/D conversions, if the voltage is higher or lower than the previous A/D conversion, then hysteresis characteristics may appear where the conversion result is affected by the previous value. Thus, even if the conversion is performed at the same potential, the result may vary.</li> <li>• When switching the analog input channel, hysteresis characteristics may appear where the conversion result is affected by the previous channel value. This is because one A/D converter is used for the A/D conversions. Thus, even if the conversion is performed at the same potential, the result may vary.</li> </ul> | p.375 <input type="checkbox"/>                                                                                                                                                                                                                                                                                                                                                                                                                                                                                                                                                                                                                                                                                                                                                                                                                                                                                        |                                |
| Chapter 12 | Soft           | D/A converter                                                                                                                                                                                                                                                                                                             | DA0CS0, DA0CS1 registers                                                                                                                                                                                                                                                                                                                                                                                                                                                                                                                                                                                                                                                                                                                                                                                                                                                                                                                                                                                                       | In the real-time output mode (DA0M.DA0MDn bit = 1), set the DA0CSn register before the INTTP2CC0/INTTP3CC0 signals are generated. D/A conversion starts when the INTTP2CC0/INTTP3CC0 signals are generated.                                                                                                                                                                                                                                                                                                                                                                                                                                                                                                                                                                                                                                                                                                           | p.382 <input type="checkbox"/> |
|            |                |                                                                                                                                                                                                                                                                                                                           | Caution                                                                                                                                                                                                                                                                                                                                                                                                                                                                                                                                                                                                                                                                                                                                                                                                                                                                                                                                                                                                                        | Do not change the set value of the DA0CSn register while the trigger signal is being issued in the real-time output mode.                                                                                                                                                                                                                                                                                                                                                                                                                                                                                                                                                                                                                                                                                                                                                                                             | p.384 <input type="checkbox"/> |
|            |                |                                                                                                                                                                                                                                                                                                                           |                                                                                                                                                                                                                                                                                                                                                                                                                                                                                                                                                                                                                                                                                                                                                                                                                                                                                                                                                                                                                                | Before changing the operation mode, be sure to clear the DA0M.DA0CEn bit to 0.                                                                                                                                                                                                                                                                                                                                                                                                                                                                                                                                                                                                                                                                                                                                                                                                                                        | p.384 <input type="checkbox"/> |
|            |                |                                                                                                                                                                                                                                                                                                                           |                                                                                                                                                                                                                                                                                                                                                                                                                                                                                                                                                                                                                                                                                                                                                                                                                                                                                                                                                                                                                                | When using one of the P10/AN00 and P11/AN01 pins as an I/O port and the other as a D/A output pin, do so in an application where the port I/O level does not change during D/A output.                                                                                                                                                                                                                                                                                                                                                                                                                                                                                                                                                                                                                                                                                                                                | p.384 <input type="checkbox"/> |
|            | Hard           |                                                                                                                                                                                                                                                                                                                           | Make sure that $AV_{REF0} = V_{DD} = AV_{REF1} = 3.0$ to $3.6$ V. If this range is exceeded, the operation is not guaranteed.                                                                                                                                                                                                                                                                                                                                                                                                                                                                                                                                                                                                                                                                                                                                                                                                                                                                                                  | p.384 <input type="checkbox"/>                                                                                                                                                                                                                                                                                                                                                                                                                                                                                                                                                                                                                                                                                                                                                                                                                                                                                        |                                |
|            |                |                                                                                                                                                                                                                                                                                                                           | Apply power to $AV_{REF1}$ at the same timing as $AV_{REF0}$ .                                                                                                                                                                                                                                                                                                                                                                                                                                                                                                                                                                                                                                                                                                                                                                                                                                                                                                                                                                 | p.384 <input type="checkbox"/>                                                                                                                                                                                                                                                                                                                                                                                                                                                                                                                                                                                                                                                                                                                                                                                                                                                                                        |                                |
|            |                |                                                                                                                                                                                                                                                                                                                           | No current can be output from the ANOn pin (n = 0, 1) because the output impedance of the D/A converter is high. When connecting a resistor of 2 MΩ or less, insert a JFET input operational amplifier between the resistor and the ANOn pin.                                                                                                                                                                                                                                                                                                                                                                                                                                                                                                                                                                                                                                                                                                                                                                                  | p.384 <input type="checkbox"/>                                                                                                                                                                                                                                                                                                                                                                                                                                                                                                                                                                                                                                                                                                                                                                                                                                                                                        |                                |
| Soft       |                | Because the D/A converter stops operation in the STOP mode, the ANO0 and ANO1 pins go into a highimpedance state, and the power consumption can be reduced. In the IDLE1, IDLE2, or subclock operation mode, however, the operation continues. To lower the power consumption, therefore, clear the DA0M.DA0CEn bit to 0. | p.384 <input type="checkbox"/>                                                                                                                                                                                                                                                                                                                                                                                                                                                                                                                                                                                                                                                                                                                                                                                                                                                                                                                                                                                                 |                                                                                                                                                                                                                                                                                                                                                                                                                                                                                                                                                                                                                                                                                                                                                                                                                                                                                                                       |                                |

| Chapter           | Classification                                                                                                                                                                                                                | Function                                | Details of Function                        | Cautions                                                                                                                                                                                                                                                                                                                                                                                                                                                                                                                                                                   | Page                           |
|-------------------|-------------------------------------------------------------------------------------------------------------------------------------------------------------------------------------------------------------------------------|-----------------------------------------|--------------------------------------------|----------------------------------------------------------------------------------------------------------------------------------------------------------------------------------------------------------------------------------------------------------------------------------------------------------------------------------------------------------------------------------------------------------------------------------------------------------------------------------------------------------------------------------------------------------------------------|--------------------------------|
| Chapter 13        | Soft                                                                                                                                                                                                                          | Asynchronous serial interface A (UARTA) | UAnSTR register                            | Be sure to read the error flags of the UAnPE, UAnFE, and UAnOVE bits to check the flag status, and then clear the flags by writing "0" to them.                                                                                                                                                                                                                                                                                                                                                                                                                            | p.391 <input type="checkbox"/> |
|                   |                                                                                                                                                                                                                               |                                         | Continuous transmission procedure          | When initializing transmissions during the execution of continuous transmissions, make sure that the UAnSTR.UAnTSF bit is 0, then perform the initialization. Transmit data that is initialized when the UAnTSF bit is 1 cannot be guaranteed.                                                                                                                                                                                                                                                                                                                             | p.398 <input type="checkbox"/> |
|                   |                                                                                                                                                                                                                               |                                         | UART reception                             | Be sure to read the UAnRX register even when a reception error occurs. If the UAnRX register is not read, an overrun error occurs during reception of the next data, and reception errors continue occurring indefinitely.                                                                                                                                                                                                                                                                                                                                                 | p.400 <input type="checkbox"/> |
|                   |                                                                                                                                                                                                                               |                                         |                                            | When reception is completed, read the UAnRX register after the reception complete interrupt request signal (INTUAnR) has been generated, and clear the UAnPWR or UAnRXE bit to 0. If the UAnPWR or UAnRXE bit is cleared to 0 before the INTUAnR signal is generated, the read value of the UAnRX register cannot be guaranteed.                                                                                                                                                                                                                                           | p.400 <input type="checkbox"/> |
|                   |                                                                                                                                                                                                                               |                                         |                                            | If receive completion processing (INTUAnR signal generation) of UARTAn and the UAnPWR bit = 0 or UAnRXE bit = 0 conflict, the INTUAnR signal may be generated in spite of these being no data stored in the UAnRX register.<br>To complete reception without waiting INTUAnR signal generation, be sure to clear (0) the interrupt request flag (UAnRIF) of the UAnRIC register, after setting (1) the interrupt mask flag (UAnRMK) of the interrupt control register (UAnRIC) and then set (1) the UAnPWR bit = 0 or UAnRXE bit = 0.                                      | p.400 <input type="checkbox"/> |
|                   |                                                                                                                                                                                                                               |                                         | Reception errors                           | When an INTUAnR signal is generated, the UAnSTR register must be read to check for errors.                                                                                                                                                                                                                                                                                                                                                                                                                                                                                 | p.401 <input type="checkbox"/> |
|                   |                                                                                                                                                                                                                               |                                         |                                            | If a receive error interrupt occurs during continuous reception, read the contents of the UAnSTR register must be read before the next reception is completed, then perform error processing.                                                                                                                                                                                                                                                                                                                                                                              | p.402 <input type="checkbox"/> |
|                   |                                                                                                                                                                                                                               |                                         | Baud rate generator configuration          | UARTAn cannot be used if the CPU clock (f <sub>CPU</sub> ) is slower than f <sub>UCLK</sub> .                                                                                                                                                                                                                                                                                                                                                                                                                                                                              | p.405 <input type="checkbox"/> |
|                   |                                                                                                                                                                                                                               |                                         | UAnCTL1 register                           | Clear the UAnCTL0.UAnPWR bit to 0 before rewriting the UAnCTL1 register.                                                                                                                                                                                                                                                                                                                                                                                                                                                                                                   | p.406 <input type="checkbox"/> |
|                   |                                                                                                                                                                                                                               |                                         | UAnCTL2 register                           | Clear the UAnCTL0.UAnPWR bit to 0 or clear the UAnTXE and UAnRXE bits to 00 before rewriting the UAnCTL2 register.                                                                                                                                                                                                                                                                                                                                                                                                                                                         | p.407 <input type="checkbox"/> |
|                   |                                                                                                                                                                                                                               |                                         | Baud rate error                            | The baud rate error during transmission must be within the error tolerance on the receiving side.                                                                                                                                                                                                                                                                                                                                                                                                                                                                          | p.408 <input type="checkbox"/> |
|                   |                                                                                                                                                                                                                               |                                         |                                            | The baud rate error during reception must satisfy the range indicated in (5) Allowable baud rate range during reception.                                                                                                                                                                                                                                                                                                                                                                                                                                                   | p.408 <input type="checkbox"/> |
|                   |                                                                                                                                                                                                                               |                                         | Allowable baud rate range during reception | The baud rate error during reception must be set within the allowable error range using the following equation.                                                                                                                                                                                                                                                                                                                                                                                                                                                            | p.410 <input type="checkbox"/> |
|                   |                                                                                                                                                                                                                               |                                         | When the clock supply to UARTAn is stopped | When the clock supply to UARTAn is stopped (for example, in IDLE1, IDLE2, or STOP mode), the operation stops with each register retaining the value it had immediately before the clock supply was stopped. The TXDAn pin output also holds and outputs the value it had immediately before the clock supply was stopped.<br>However, the operation is not guaranteed after the clock supply is resumed. Therefore, after the clock supply is resumed, the circuits should be initialized by setting the UAnCTL0.UAnPWR, UAnCTL0.UAnRXEn, and UAnCTL0.UAnTXEn bits to 000. | p.413 <input type="checkbox"/> |
| RXDA1 pin KR7 pin | The RXDA1 and KR7 pins must not be used at the same time. To use the RXDA1 pin, do not use the KR7 pin. To use the KR7 pin, do not use the RXDA1 pin (it is recommended to set the PFC91 bit to 1 and clear PFCE91 bit to 0). | p.413 <input type="checkbox"/>          |                                            |                                                                                                                                                                                                                                                                                                                                                                                                                                                                                                                                                                            |                                |

| Chapter                                                          | Classification                           | Function                                 | Details of Function                                           | Cautions                                                                                                                                                                                                                                                                                                                                                                                                                                             | Page                                 |
|------------------------------------------------------------------|------------------------------------------|------------------------------------------|---------------------------------------------------------------|------------------------------------------------------------------------------------------------------------------------------------------------------------------------------------------------------------------------------------------------------------------------------------------------------------------------------------------------------------------------------------------------------------------------------------------------------|--------------------------------------|
| Chapter 13                                                       | Soft                                     | Asynchronous serial interface A (UARTA)  | Transfer of transmit data and receive data using DMA transfer | In UARTAn, the interrupt caused by a communication error does not occur. When performing the transfer of transmit data and receive data using DMA transfer, error processing cannot be performed even if errors (parity, overrun, framing) occur during transfer. Either read the UAnSTR register after DMA transfer has been completed to make sure that there are no errors, or read the UAnSTR register during communication to check for errors. | p.413 <input type="checkbox"/>       |
|                                                                  |                                          |                                          | Start up the UARTAn                                           | Start up the UARTAn in the following sequence.<br><1> Set the UAnCTL0.UAnPWR bit to 1.<br><2> Set the ports.<br><3> Set the UAnCTL0.UAnTXE bit to 1, UAnCTL0.UAnRXE bit to 1.                                                                                                                                                                                                                                                                        | p.413 <input type="checkbox"/>       |
|                                                                  |                                          |                                          | Stop UARTAn                                                   | Stop the UARTAn in the following sequence.<br><1> Set the UAnCTL0.UAnTXE bit to 0, UAnCTL0.UAnRXE bit to 0.<br><2> Set the ports and set the UAnCTL0.UAnPWR bit to 0 (it is not a problem if port setting is not changed).                                                                                                                                                                                                                           | p.413 <input type="checkbox"/>       |
|                                                                  |                                          |                                          | Transmit mode                                                 | In transmit mode (UAnCTL0.UAnPWR bit = 1 and UAnCTL0.UAnTXE bit = 1), do not overwrite the same value to the UAnTX register by software because transmission starts by writing to this register. To transmit the same value continuously, overwrite the same value.                                                                                                                                                                                  | p.413 <input type="checkbox"/>       |
|                                                                  |                                          |                                          | Continuous transmission                                       | In continuous transmission, the communication rate from the stop bit to the next start bit is extended 2 base clocks more than usual. However, the reception side initializes the timing by detecting the start bit, so the reception result is not affected.                                                                                                                                                                                        | p.413 <input type="checkbox"/>       |
| Chapter 14                                                       | Soft                                     | 3-wire variable-length serial I/O (CSIB) | CSIB0 and I <sup>2</sup> C01 mode switching                   | The transmit/receive operation of CSIB0 and I <sup>2</sup> C01 is not guaranteed if these functions are switched during transmission or reception. Be sure to disable the one that is not used.                                                                                                                                                                                                                                                      | p.414 <input type="checkbox"/>       |
|                                                                  |                                          |                                          | CBnCTL0 register                                              | To forcibly suspend transmission/reception, clear the CBnPWR bit instead of the CBnTXE and CBnRXE bit to 0.                                                                                                                                                                                                                                                                                                                                          | p.418 <input type="checkbox"/>       |
|                                                                  |                                          |                                          |                                                               | Be sure to set bits 3 and 2 to "0".                                                                                                                                                                                                                                                                                                                                                                                                                  | p.418 <input type="checkbox"/>       |
|                                                                  |                                          |                                          | CBnCTL1 register                                              | The CBnCTL1 register can be rewritten only when the CBnCTL0.CBnPWR bit = 0.                                                                                                                                                                                                                                                                                                                                                                          | p.422 <input type="checkbox"/>       |
|                                                                  |                                          |                                          | CBnCTL2 register                                              | The CBnCTL2 register can be rewritten only when the CBnCTL0.CBnPWR bit = 0 or when both the CBnTXE and CBnRXE bits = 0.                                                                                                                                                                                                                                                                                                                              | p.423 <input type="checkbox"/>       |
|                                                                  |                                          |                                          | CBnSTR register                                               | In single transfer mode, writing to the CBnTX register with the CBnTSF bit set to 1 is ignored. This has no influence on the operation during transfer.                                                                                                                                                                                                                                                                                              | p.425 <input type="checkbox"/>       |
|                                                                  |                                          |                                          | Continuous transfer mode (master mode, transmission mode)     | In continuous transmission mode, the reception completion interrupt request signal (INTCBnR) is not generated.                                                                                                                                                                                                                                                                                                                                       | p.440 <input type="checkbox"/>       |
|                                                                  |                                          |                                          | Continuous transfer mode (slave mode, transmission mode)      | In continuous transmission mode, the reception completion interrupt request signal (INTCBnR) is not generated.                                                                                                                                                                                                                                                                                                                                       | p.449 <input type="checkbox"/>       |
|                                                                  |                                          |                                          | Clock timing                                                  | In single transfer mode, writing to the CBnTX register with the CBnTSF bit set to 1 is ignored. This has no influence on the operation during transfer.                                                                                                                                                                                                                                                                                              | pp.458, 559 <input type="checkbox"/> |
|                                                                  |                                          |                                          | PRSM1 register                                                | Do not rewrite the PRSM1 register during operation.                                                                                                                                                                                                                                                                                                                                                                                                  | p.461 <input type="checkbox"/>       |
|                                                                  |                                          |                                          |                                                               | Set the PRSM1 register before setting the BGCE1 bit to 1.                                                                                                                                                                                                                                                                                                                                                                                            | p.461 <input type="checkbox"/>       |
|                                                                  |                                          |                                          | PRSCM1 register                                               | Do not rewrite the PRSCM1 register during operation.                                                                                                                                                                                                                                                                                                                                                                                                 | p.462 <input type="checkbox"/>       |
| Set the PRSCM1 register before setting the PRSM1.BGCE1 bit to 1. | p.462 <input type="checkbox"/>           |                                          |                                                               |                                                                                                                                                                                                                                                                                                                                                                                                                                                      |                                      |
| Baud rate generation                                             | Set f <sub>BRG1</sub> to 8 MHz or lower. | p.462 <input type="checkbox"/>           |                                                               |                                                                                                                                                                                                                                                                                                                                                                                                                                                      |                                      |

| Chapter         | Classification                                                        | Function                                 | Details of Function                                                 | Cautions                                                                                                                                                                                                                                                                                                                                                                                                                                                                                                                                                                                                                                                                                                                                                                                                                                                                                                                                                                                                                                                                                                                                                                                                                                                           | Page                           |
|-----------------|-----------------------------------------------------------------------|------------------------------------------|---------------------------------------------------------------------|--------------------------------------------------------------------------------------------------------------------------------------------------------------------------------------------------------------------------------------------------------------------------------------------------------------------------------------------------------------------------------------------------------------------------------------------------------------------------------------------------------------------------------------------------------------------------------------------------------------------------------------------------------------------------------------------------------------------------------------------------------------------------------------------------------------------------------------------------------------------------------------------------------------------------------------------------------------------------------------------------------------------------------------------------------------------------------------------------------------------------------------------------------------------------------------------------------------------------------------------------------------------|--------------------------------|
| Chapter 14      | Soft                                                                  | 3-wire variable-length serial I/O (CSIB) | When transferring transmit data and receive data using DMA transfer | When transferring transmit data and receive data using DMA transfer ( $\mu$ PD703253Y only), error processing cannot be performed even if an overrun error occurs during serial transfer. Check that the no overrun error has occurred by reading the CBnSTR.CBnOVE bit after DMA transfer has been completed.                                                                                                                                                                                                                                                                                                                                                                                                                                                                                                                                                                                                                                                                                                                                                                                                                                                                                                                                                     | p.463 <input type="checkbox"/> |
|                 |                                                                       |                                          | CBnCTL0 register<br>CBnCTL1 register<br>CBnCTL2 register            | In regards to registers that are forbidden from being rewritten during operations (CBnCTL0.CBnPWR bit = 1), if rewriting has been carried out by mistake during operations, set the CBnCTL0.CBnPWR bit to 0 once, then initialize CSIBn. Registers to which rewriting during operation are prohibited are shown below. <ul style="list-style-type: none"> <li>• CBnCTL0 register: CBnTXE, CBnRXE, CBnDIR, CBnTMS bits</li> <li>• CBnCTL1 register: CBnCKP, CBnDAP, CBnCKS2 to CBnCKS0 bits</li> <li>• CBnCTL2 register: CBnCL3 to CBnCL0 bits</li> </ul>                                                                                                                                                                                                                                                                                                                                                                                                                                                                                                                                                                                                                                                                                                           | p.463 <input type="checkbox"/> |
|                 |                                                                       |                                          | Communication types 2 and 4                                         | In communication type 2 or 4 (CBnCTL1.CBnDAP bit = 1), the CBnSTR.CBnTSF bit is cleared half a $\overline{\text{SCKBn}}$ clock after occurrence of a reception complete interrupt (INTCBnR). In the single transfer mode, writing the next transmit data is ignored during communication (CBnTSF bit = 1), and the next communication is not started. Also if reception-only communication (CBnCTL0.CBnTXE bit = 0, CBnCTL0.CBnRXE bit = 1) is set, the next communication is not started even if the receive data is read during communication (CBnTSF bit = 1). Therefore, when using the single transfer mode with communication type 2 or 4 (CBnDAP bit = 1), pay particular attention to the following. <ul style="list-style-type: none"> <li>• To start the next transmission, confirm that CBnTSF bit = 0 and then write the transmit data to the CBnTX register.</li> <li>• To perform the next reception continuously when reception-only communication (CBnTXE bit = 0, CBnRXE bit = 1) is set, confirm that CBnTSF bit = 0 and then read the CBnRX register.</li> </ul> Or, use the continuous transfer mode instead of the single transfer mode. Use of the continuous transfer mode is recommended especially for using DMA ( $\mu$ PD703253Y only). | p.463 <input type="checkbox"/> |
| Chapter 15      | Soft                                                                  | I <sup>2</sup> C bus                     | I <sup>2</sup> C bus                                                | To use the I <sup>2</sup> C bus function, set the P38/SDA00, P39/SCL00, P40/SDA01, and P41/SCL01 pins as the serial transmit/receive data I/O pins (SDA00 and SDA01) and serial clock I/O pins (SCL00 and SCL01), and set them to N-ch open-drain output.                                                                                                                                                                                                                                                                                                                                                                                                                                                                                                                                                                                                                                                                                                                                                                                                                                                                                                                                                                                                          | p.464 <input type="checkbox"/> |
|                 |                                                                       |                                          | CSIB0 and I <sup>2</sup> C01 mode switching                         | The transmit/receive operation of CSIB0 and I <sup>2</sup> C01 is not guaranteed if these functions are switched during transmission or reception. Be sure to disable the one that is not used.                                                                                                                                                                                                                                                                                                                                                                                                                                                                                                                                                                                                                                                                                                                                                                                                                                                                                                                                                                                                                                                                    | p.464 <input type="checkbox"/> |
|                 |                                                                       |                                          | IICn register                                                       | If the I <sup>2</sup> Cn operation is enabled (IICEn bit = 1) when the SCL0n line is high level and the SDA0n line is low level, the start condition is detected immediately. To avoid this, after enabling the I <sup>2</sup> Cn operation, immediately set the LRELn bit to 1 with a bit manipulation instruction.                                                                                                                                                                                                                                                                                                                                                                                                                                                                                                                                                                                                                                                                                                                                                                                                                                                                                                                                               | p.471 <input type="checkbox"/> |
|                 |                                                                       |                                          | IICSn register                                                      | Accessing the IICSn register is prohibited in the following statuses. For details, refer to 3.4.9 (2) Accessing specific on-chip peripheral I/O registers. <ul style="list-style-type: none"> <li>• When the CPU operates with the subclock and the main clock oscillation is stopped</li> <li>• When the CPU operates with the internal oscillation clock</li> </ul>                                                                                                                                                                                                                                                                                                                                                                                                                                                                                                                                                                                                                                                                                                                                                                                                                                                                                              | p.475 <input type="checkbox"/> |
|                 |                                                                       |                                          | IICFn register                                                      | Write the STCENn bit only when operation is stopped (IICEn bit = 0).                                                                                                                                                                                                                                                                                                                                                                                                                                                                                                                                                                                                                                                                                                                                                                                                                                                                                                                                                                                                                                                                                                                                                                                               | p.479 <input type="checkbox"/> |
|                 |                                                                       |                                          |                                                                     | When the STCENn bit = 1, the bus released status (IICBSYn bit = 0) is recognized regardless of the actual bus status immediately after the I <sup>2</sup> Cn bus operation is enabled. Therefore, to issue the first start condition (STTn bit = 1), it is necessary to confirm that the bus has been released, so as to not disturb other communications.                                                                                                                                                                                                                                                                                                                                                                                                                                                                                                                                                                                                                                                                                                                                                                                                                                                                                                         | p.479 <input type="checkbox"/> |
| IICCLn register | Write the IICRSVn bit only when operation is stopped (IICEn bit = 0). | p.479 <input type="checkbox"/>           |                                                                     |                                                                                                                                                                                                                                                                                                                                                                                                                                                                                                                                                                                                                                                                                                                                                                                                                                                                                                                                                                                                                                                                                                                                                                                                                                                                    |                                |
|                 |                                                                       | IICCLn register                          | Be sure to clear bits 7 and 6 to "0".                               | p.480 <input type="checkbox"/>                                                                                                                                                                                                                                                                                                                                                                                                                                                                                                                                                                                                                                                                                                                                                                                                                                                                                                                                                                                                                                                                                                                                                                                                                                     |                                |

| Chapter    | Classification | Function             | Details of Function                                                      | Cautions                                                                                                                                                                                                                                                                                                                                                                                                                                                                                                                                                                                | Page                           |
|------------|----------------|----------------------|--------------------------------------------------------------------------|-----------------------------------------------------------------------------------------------------------------------------------------------------------------------------------------------------------------------------------------------------------------------------------------------------------------------------------------------------------------------------------------------------------------------------------------------------------------------------------------------------------------------------------------------------------------------------------------|--------------------------------|
| Chapter 15 | Soft           | I <sup>2</sup> C bus | Start condition                                                          | When the IICn.IICEn bit of the V850ES/SG1 is set to 1 while communications with other devices are in progress, the start condition may be detected depending on the status of the communication line. Be sure to set the IICn.IICEn bit to 1 when the SCL0n and SDA0n lines are high level.                                                                                                                                                                                                                                                                                             | p.486 <input type="checkbox"/> |
|            |                |                      | Status during arbitration and interrupt request signal generation timing | When there is a possibility that arbitration will occur, set the SPIEn bit to 1 for master device operation (n = 0, 1).                                                                                                                                                                                                                                                                                                                                                                                                                                                                 | p.520 <input type="checkbox"/> |
|            |                |                      | When IICFn.STCENn bit = 0                                                | Immediately after the I <sup>2</sup> C0n operation is enabled, the bus communication status (IICFn.IICBSYn bit = 1) is recognized regardless of the actual bus status. To execute master communication in the status where a stop condition has not been detected, generate a stop condition and then release the bus before starting the master communication.<br>Use the following sequence for generating a stop condition.<br><1> Set the IICCLn register.<br><2> Set the IICn.IICEn bit.<br><3> Set the IICn.SPTn bit.                                                             | p.526 <input type="checkbox"/> |
|            |                |                      | When IICFn.STCENn bit = 1                                                | Immediately after I <sup>2</sup> C0n operation is enabled, the bus released status (IICBSYn bit = 0) is recognized regardless of the actual bus status. To generate the first start condition (IICn.STTn bit = 1), it is necessary to confirm that the bus has been released, so as to not disturb other communications.                                                                                                                                                                                                                                                                | p.526 <input type="checkbox"/> |
|            |                |                      | While communications with other devices are in progress                  | When the IICn.IICEn bit of the V850ES/SG1 is set to 1 while communications with other devices are in progress, the start condition may be detected depending on the status of the communication line. Be sure to set the IICn.IICEn bit to 1 when the SCL0n and SDA0n lines are high level.                                                                                                                                                                                                                                                                                             | p.526 <input type="checkbox"/> |
|            |                |                      | Enabling operation                                                       | Determine the operation clock frequency by the IICCLn, IICXn, and OCKSn registers before enabling the operation (IICn.IICEn bit = 1). To change the operation clock frequency, clear the IICn.IICEn bit to 0 once.                                                                                                                                                                                                                                                                                                                                                                      | p.526 <input type="checkbox"/> |
|            |                |                      | IICn.STTn, SPTn bits                                                     | After the IICn.STTn and IICn.SPTn bits have been set to 1, they must not be re-set without being cleared to 0 first.                                                                                                                                                                                                                                                                                                                                                                                                                                                                    | p.526 <input type="checkbox"/> |
|            |                |                      | Transmission reservation                                                 | If transmission has been reserved, set the IICn.SPIEn bit to 1 so that an interrupt request is generated by the detection of a stop condition. After an interrupt request has been generated, the wait status will be released by writing communication data to I <sup>2</sup> Cn, then transferring will begin. If an interrupt is not generated by the detection of a stop condition, transmission will halt in the wait status because an interrupt request was not generated. However, it is not necessary to set the SPIEn bit to 1 for the software to detect the IICSn.MSTS bit. | p.526 <input type="checkbox"/> |
|            |                |                      | Master operation in single master system                                 | Release the I <sup>2</sup> C0n bus (SCL0n, SDA0n pins = high level) in conformity with the specifications of the product in communication. For example, when the EEPROM™ outputs a low level to the SDA0n pin, set the SCL0n pin to the output port and output clock pulses from that output port until when the SDA0n pin is constantly high level.                                                                                                                                                                                                                                    | p.528 <input type="checkbox"/> |
| Chapter 16 | Soft           | IEBus controller     | Effective transfer rate                                                  | Different modes must not be mixed on one IEBus.                                                                                                                                                                                                                                                                                                                                                                                                                                                                                                                                         | p.543 <input type="checkbox"/> |
|            |                |                      | Data field                                                               | Do not operate master reception in broadcast communication, because the slave unit cannot be defined and data transfer cannot be performed correctly.                                                                                                                                                                                                                                                                                                                                                                                                                                   | p.553 <input type="checkbox"/> |

| Chapter    | Classification | Function         | Details of Function                            | Cautions                                                                                                                                                                                                                                                                                                                                                                                                                                                                                                                            | Page  |                          |
|------------|----------------|------------------|------------------------------------------------|-------------------------------------------------------------------------------------------------------------------------------------------------------------------------------------------------------------------------------------------------------------------------------------------------------------------------------------------------------------------------------------------------------------------------------------------------------------------------------------------------------------------------------------|-------|--------------------------|
| Chapter 16 | Soft           | IEBus controller | BCR register                                   | While IEBus is operating as the master, writing to the BCR register (including bit manipulation instructions) is disabled until either the end of that communication or frame, or until communication is stopped by the occurrence of an arbitration-loss communication error. Master requests cannot therefore be multiplexed. However, the case when communication has been forcibly stopped (ENIEBUS flag = 0) is not a problem.                                                                                                 | p.561 | <input type="checkbox"/> |
|            |                |                  |                                                | If a bit manipulation instruction for the BCR register conflicts with a hardware reset of the MSTRQ bit, the BCR register may not operate normally. The following countermeasures are recommended in this case. <ul style="list-style-type: none"> <li>• Because the hardware reset is instigated in the acknowledgment period of the slave address field, be sure to observe Caution 1 of (b) Master request flag (MSTRQ) below.</li> <li>• Be sure to observe the caution above regarding writing to the BCR register.</li> </ul> | p.561 | <input type="checkbox"/> |
|            |                |                  | Communication enable flag (ENIEBUS)            | Before setting the ENIEBUS bit (1), the following registers must be set depending on the mode of communication to be started.                                                                                                                                                                                                                                                                                                                                                                                                       | p.562 | <input type="checkbox"/> |
|            |                |                  | Master request flag (MSTRQ)                    | If the IEBus controller has lost in arbitration, issue the master request again by software.<br>In doing so, set (1) the MSTRQ bit at a timing other than that illustrated below.                                                                                                                                                                                                                                                                                                                                                   | p.563 | <input type="checkbox"/> |
|            |                |                  |                                                | When a master request has been sent and bus mastership acquired, do not set the MSTRQ, ENSLVTX, or ENSLVRX bit until the end of communication (i.e. the communication end flag (ISR.ENDTRNS bit) or frame end flag (ISR.ENDFRAM bit) is set (1)) as setting these flags disables interrupt request signal generation. However, these flags can be set if communication has been aborted.                                                                                                                                            | p.563 | <input type="checkbox"/> |
|            |                |                  | Broadcast request flag of BCR register         | When requesting broadcast communication, always set (1) the ALLRQ bit, then the MSTRQ bit.                                                                                                                                                                                                                                                                                                                                                                                                                                          | p.563 | <input type="checkbox"/> |
|            |                |                  | Slave transmission enable flag of BCR register | The ENSLVTX bit must be set before the parity bit in the control field is received.                                                                                                                                                                                                                                                                                                                                                                                                                                                 | p.564 | <input type="checkbox"/> |
|            |                |                  |                                                | Clear the ENSLVTX bit (0) before setting the MSTRQ bit (1) when making a master request. This is to avoid transmission of the data of the DR register that tries master transmission if the controller loses in arbitration after master operation and if slave transmission is requested by the master.                                                                                                                                                                                                                            | p.564 | <input type="checkbox"/> |
|            |                |                  | Slave reception enable flag of BCR register    | The ENSLVRX bit must be set before the parity bit in the control field is received.                                                                                                                                                                                                                                                                                                                                                                                                                                                 | p.564 | <input type="checkbox"/> |
|            |                |                  | PSR register                                   | Do not set the PSR register while communication is enabled (BCR.ENIEBUS bit = 1).                                                                                                                                                                                                                                                                                                                                                                                                                                                   | p.565 | <input type="checkbox"/> |
|            |                |                  |                                                | Be sure to clear bits 5 to 0 to "0".                                                                                                                                                                                                                                                                                                                                                                                                                                                                                                | p.565 | <input type="checkbox"/> |
|            |                |                  | Arbitration result flag of USR register        | The flag is cleared (0) at the detection timing of the start bit if the other unit outputs the start bit earlier and the unit does not output the start bit after the master request.                                                                                                                                                                                                                                                                                                                                               | p.568 | <input type="checkbox"/> |
|            |                |                  | Lock status flag of USR register               | Lock specification/release is not possible in broadcast communication. In the lock status, individual communication from a unit other than the one that requests locking is not acknowledged. However, even communication from a unit other than the one that requests locking is acknowledged as long as the communication is a slave status request.                                                                                                                                                                              | p.569 | <input type="checkbox"/> |
|            |                |                  | ESR register                                   | Each bit can only be cleared (0). It cannot be set (1) even if 1 is written to it.                                                                                                                                                                                                                                                                                                                                                                                                                                                  | p.573 | <input type="checkbox"/> |
|            |                |                  |                                                | The value of the ESR register is updated when an error occurs. If the ESR register is read at this time, however, an undefined value is read. It is recommended to read the ESR register in error interrupt servicing.                                                                                                                                                                                                                                                                                                              | p.573 | <input type="checkbox"/> |

| Chapter                                                                                                                                                                                                                                                                                                       | Classification                 | Function         | Details of Function                           | Cautions                                                                                                                                                                                                                                                                                                                                                                                       | Page                           |
|---------------------------------------------------------------------------------------------------------------------------------------------------------------------------------------------------------------------------------------------------------------------------------------------------------------|--------------------------------|------------------|-----------------------------------------------|------------------------------------------------------------------------------------------------------------------------------------------------------------------------------------------------------------------------------------------------------------------------------------------------------------------------------------------------------------------------------------------------|--------------------------------|
| Chapter 16                                                                                                                                                                                                                                                                                                    | Soft                           | IEBus controller | ESR register                                  | If a communication error occurs, the IEBus controller returns to the default status and makes preparation for communication. If communication is started without the error corrected, the error flag accumulates the error. Correct the error before the next communication is started.                                                                                                        | p.573 <input type="checkbox"/> |
|                                                                                                                                                                                                                                                                                                               |                                |                  | Overrun error occurrence flag of ESR register | The overrun status is cleared only when the DR register is read and when the system is reset. Therefore, be sure to read the DR register in the communication error interrupt processing program.                                                                                                                                                                                              | p.576 <input type="checkbox"/> |
|                                                                                                                                                                                                                                                                                                               |                                |                  |                                               | The next data cannot be transmitted in the overrun status if it is 2 bytes or more. Because the data request interrupt request signal (INTIE1) does not occur, the transmit data cannot be set and an underrun error occurs. Therefore, be sure to execute transmission after clearing the overrun status.                                                                                     | p.576 <input type="checkbox"/> |
|                                                                                                                                                                                                                                                                                                               |                                |                  | Timing of write error occurrence              | Even when the WERR bit is set (1), the INTIE1 interrupt request signal may be generated.                                                                                                                                                                                                                                                                                                       | p.577 <input type="checkbox"/> |
|                                                                                                                                                                                                                                                                                                               |                                |                  | UAR register                                  | Do not set the UAR register while communication is enabled (BCR.ENIEBUS bit = 1).                                                                                                                                                                                                                                                                                                              | p.578 <input type="checkbox"/> |
|                                                                                                                                                                                                                                                                                                               |                                |                  | SAR register                                  | Be sure to set the SAR register in the next timing. <ul style="list-style-type: none"> <li>• When BCR.ENIEBUS bit = 0</li> <li>• Between ENIEBUS bit = 1 and the first master request (set BCR.MSTRQ bit to (1))</li> <li>• In ENIEBUS bit = 1, and MSTRQ bit = 0, between either the end of that communication, frame, or error and the next master request (set MSTRQ bit to (1))</li> </ul> | p.578 <input type="checkbox"/> |
|                                                                                                                                                                                                                                                                                                               |                                |                  | PAR register                                  | The PAR register stores an address value if the parity is correct and the unit is not locked when the parity period of the master address field expires. If the PAR register is read at this time, an undefined value is read.                                                                                                                                                                 | p.579 <input type="checkbox"/> |
|                                                                                                                                                                                                                                                                                                               |                                |                  | RSA register                                  | The RSA register stores an address value if the parity is correct and the unit is not locked when the parity period of the slave address field expires. If the RSA register is read at this time, an undefined value is read.                                                                                                                                                                  | p.579 <input type="checkbox"/> |
|                                                                                                                                                                                                                                                                                                               |                                |                  | CDR register                                  | Because the slave unit must judge whether the received data is a "command" or "data", read the value of the CDR register after completing communication.                                                                                                                                                                                                                                       | p.581 <input type="checkbox"/> |
|                                                                                                                                                                                                                                                                                                               |                                |                  |                                               | If the master unit sets an undefined value, the slave unit returns the NACK signal and communication is aborted. During broadcast communication, the master unit ignores the acknowledge bit and continues communication. Therefore, do not set an undefined value.                                                                                                                            | p.581 <input type="checkbox"/> |
|                                                                                                                                                                                                                                                                                                               |                                |                  | DLR register                                  | When the master issues a request (0H, 4H, 5H, or 6H) for transmission of a slave status or a lock address (higher 4 bits and lower 8 bits), 01H is transmitted as the telegraph length regardless of the contents of the DLR register. It is therefore not necessary to set the DLR register by software.                                                                                      | p.585 <input type="checkbox"/> |
|                                                                                                                                                                                                                                                                                                               |                                |                  |                                               | When the IEBus controller serves as a receiver unit, the DLR register stores a telegraph length if the value of the parity bit of the telegraph length field is correct. If the DLR register is read at this time, an undefined value is read.                                                                                                                                                 | p.585 <input type="checkbox"/> |
|                                                                                                                                                                                                                                                                                                               |                                |                  | DR register                                   | When the IEBus controller serves as a receiver unit, the DR register stores receive data if the value of the parity bit of the data field is correct. If the DR register is read at this time, an undefined value is read.                                                                                                                                                                     | p.586 <input type="checkbox"/> |
|                                                                                                                                                                                                                                                                                                               |                                |                  | FSR register                                  | The FSR register updates the status information when an interrupt request signal is generated. If the FSR register is read at this time, however, an undefined value is read.                                                                                                                                                                                                                  | p.587 <input type="checkbox"/> |
| If another interrupt request signal is generated before the FSR register is read, the status information when the preceding interrupt occurred is updated by the status information when the new interrupt occurs.<br>Use the FSR register only for problem analysis; do not use it with the actual software. | p.587 <input type="checkbox"/> |                  |                                               |                                                                                                                                                                                                                                                                                                                                                                                                |                                |

APPENDIX E LIST OF CAUTIONS

(19/32)

| Chapter                                                                                                    | Classification                                      | Function                       | Details of Function                                                   | Caution                                                                                                                                                                                                                                                                                                                                                                                 | Page                           |
|------------------------------------------------------------------------------------------------------------|-----------------------------------------------------|--------------------------------|-----------------------------------------------------------------------|-----------------------------------------------------------------------------------------------------------------------------------------------------------------------------------------------------------------------------------------------------------------------------------------------------------------------------------------------------------------------------------------|--------------------------------|
| Chapter 16                                                                                                 | Soft                                                | IEBus controller               | SCR register                                                          | The SCR register is updated when the parity period of the telegraph field expires and when the ACK signal of the data field is received. If the SCR register is read at this time, however, an undefined value is read.                                                                                                                                                                 | p.588 <input type="checkbox"/> |
|                                                                                                            |                                                     |                                | CCR register                                                          | The maximum number of transmit bytes is preset to the CCR register when the start bit is transmitted or received, and the register is decremented when the parity period of the data field expires. If the CCR register is read at this time, however, an undefined value is read.                                                                                                      | p.589 <input type="checkbox"/> |
| Chapter 17                                                                                                 | Soft                                                | CAN controller                 | Programmable peripheral I/O area setting                              | The CAN controller is allocated in the programmable peripheral I/O area. Before using the CAN controller, enable use of the programmable peripheral I/O area by using the BPC register. For details, refer to 3.4.7 Programmable peripheral I/O registers.                                                                                                                              | p.612 <input type="checkbox"/> |
|                                                                                                            |                                                     |                                | Arbitration field (in standard format mode)                           | An identifier is transmitted MSB first.                                                                                                                                                                                                                                                                                                                                                 | p.618 <input type="checkbox"/> |
|                                                                                                            |                                                     |                                | Arbitration field (in extended format mode)                           | An identifier is transmitted MSB first.                                                                                                                                                                                                                                                                                                                                                 | p.618 <input type="checkbox"/> |
|                                                                                                            |                                                     |                                | Data length setting                                                   | In the remote frame, there is no data field even if the data length code is not 0000B.                                                                                                                                                                                                                                                                                                  | p.619 <input type="checkbox"/> |
|                                                                                                            |                                                     |                                | Forced recovery operation that skips bus-off recovery sequence        | This function is not defined by the CAN protocol ISO 11898. When using this function, thoroughly evaluate its effect on the network system.                                                                                                                                                                                                                                             | p.631 <input type="checkbox"/> |
|                                                                                                            |                                                     |                                | Initializing CAN module error counter register in initialization mode | This function is enabled only in the initialization mode. Even if the CCERC bit is set to 1 in a CAN operation mode, the C0ERC and C0INFO registers are not initialized.                                                                                                                                                                                                                | p.631 <input type="checkbox"/> |
|                                                                                                            |                                                     |                                | Register                                                              | Accessing the CAN controller registers is prohibited in the following statuses. For details, refer to 3.4.9 (2) Accessing specific on-chip peripheral I/O registers. <ul style="list-style-type: none"> <li>When the CPU operates with the subclock and the main clock oscillation is stopped</li> <li>When the CPU operates with the internal oscillation clock</li> </ul>             | p.659 <input type="checkbox"/> |
|                                                                                                            |                                                     |                                | COGMCTRL register                                                     | While the MBON bit is cleared (to 0), software access to the message buffers (C0MDATA0m, C0MDATA1m, C0MDATA01m, C0MDATA2m, C0MDATA3m, C0MDATA23m, C0MDATA4m, C0MDATA5m, C0MDATA45m, C0MDATA6m, C0MDATA7m, C0MDATA67m, C0MDLcm, COMCONFm, C0MIDLm, C0MIDHm, and COMCTRLm), or registers related to transmit history or receive history (C0LOPT, C0TGPT, C0LIPT, and C0RGPT) is disabled. | p.659 <input type="checkbox"/> |
|                                                                                                            |                                                     |                                |                                                                       | To request forced shut down, clear the GOM bit to 0 immediately after the EFSD bit has been set to 1. If access to another register (including reading the COGMCTRL register) is executed without clearing the GOM bit immediately after the EFSD bit has been set to 1, the EFSD bit is forcibly cleared to 0, and the forced shut down request is invalid.                            | p.660 <input type="checkbox"/> |
| The GOM bit is cleared to 0 only in the initialization mode or immediately after the EFSD bit is set to 1. | p.660 <input type="checkbox"/>                      |                                |                                                                       |                                                                                                                                                                                                                                                                                                                                                                                         |                                |
|                                                                                                            | Be sure to set the GOM bit and EFSD bit separately. | p.660 <input type="checkbox"/> |                                                                       |                                                                                                                                                                                                                                                                                                                                                                                         |                                |



| Chapter        | Classification                                                                                                                                                                                                                                                                                                                                                                                                                                                                                                                                                                                  | Function                       | Details of Function        | Cautions                                                                                                                                                                                                                                               | Page                           |
|----------------|-------------------------------------------------------------------------------------------------------------------------------------------------------------------------------------------------------------------------------------------------------------------------------------------------------------------------------------------------------------------------------------------------------------------------------------------------------------------------------------------------------------------------------------------------------------------------------------------------|--------------------------------|----------------------------|--------------------------------------------------------------------------------------------------------------------------------------------------------------------------------------------------------------------------------------------------------|--------------------------------|
| Chapter 17     | Soft                                                                                                                                                                                                                                                                                                                                                                                                                                                                                                                                                                                            | CAN controller                 | COGMABT register           | Before changing the normal operation mode with ABT to the initialization mode, be sure to set the COGMABT register to the default value (0000H). After setting, confirm that the COGMABT register is initialized to 0000H.                             | p.662 <input type="checkbox"/> |
|                |                                                                                                                                                                                                                                                                                                                                                                                                                                                                                                                                                                                                 |                                |                            | Do not set the ABTTRG bit to 1 in the initialization mode. If the ABTTRG bit is set to 1 in the initialization mode, the operation is not guaranteed after the CAN module has entered the normal operation mode with ABT.                              | p.662 <input type="checkbox"/> |
|                |                                                                                                                                                                                                                                                                                                                                                                                                                                                                                                                                                                                                 |                                |                            | Do not set the ABTTRG bit to 1 while the COCTRL.TSTAT bit is set to 1. Directly confirm that the TSTAT bit = 0 before setting the ABTTRG bit to 1.                                                                                                     | p.662 <input type="checkbox"/> |
|                |                                                                                                                                                                                                                                                                                                                                                                                                                                                                                                                                                                                                 |                                | COGMABTD register          | Do not change the contents of the COGMABTD register while the ABTTRG bit is set to 1.                                                                                                                                                                  | p.664 <input type="checkbox"/> |
|                |                                                                                                                                                                                                                                                                                                                                                                                                                                                                                                                                                                                                 |                                | COCTRL register            | Transition to and from the CAN stop mode must be made via CAN sleep mode. A request for direct transition to and from the CAN stop mode is ignored.                                                                                                    | p.669 <input type="checkbox"/> |
|                |                                                                                                                                                                                                                                                                                                                                                                                                                                                                                                                                                                                                 |                                |                            | After releasing the power save mode, the COGMCTRL.MBON flag must be checked before accessing the message buffer again.                                                                                                                                 | p.669 <input type="checkbox"/> |
|                |                                                                                                                                                                                                                                                                                                                                                                                                                                                                                                                                                                                                 |                                |                            | It may take time to change the mode to the initialization mode or power save mode. Therefore, be sure to check if the mode has been successfully changed, by reading the register value before executing the processing.                               | p.669 <input type="checkbox"/> |
|                |                                                                                                                                                                                                                                                                                                                                                                                                                                                                                                                                                                                                 |                                | COINTS register            | The status bit of this register is not automatically cleared. Clear (0) it by software if each status must be checked in the interrupt servicing.                                                                                                      | p.676 <input type="checkbox"/> |
|                |                                                                                                                                                                                                                                                                                                                                                                                                                                                                                                                                                                                                 |                                | COBRP register             | The COBRP register can be write-accessed only in the initialization mode.                                                                                                                                                                              | p.677 <input type="checkbox"/> |
|                |                                                                                                                                                                                                                                                                                                                                                                                                                                                                                                                                                                                                 |                                | COMDLCm register           | Be sure to set bits 7 to 4 to 0000B.                                                                                                                                                                                                                   | p.686 <input type="checkbox"/> |
|                |                                                                                                                                                                                                                                                                                                                                                                                                                                                                                                                                                                                                 |                                | COMCONFm register          | Be sure to write 0 to bits 2 and 1.                                                                                                                                                                                                                    | p.688 <input type="checkbox"/> |
|                |                                                                                                                                                                                                                                                                                                                                                                                                                                                                                                                                                                                                 |                                | COMIDLm, COMIDHm registers | Be sure to write 0 to bits 14 and 13 of the COMIDHm register.                                                                                                                                                                                          | p.688 <input type="checkbox"/> |
|                |                                                                                                                                                                                                                                                                                                                                                                                                                                                                                                                                                                                                 |                                |                            | Be sure to arrange the ID values to be registered in accordance with the bit positions of this register. For the standard ID, shift the bit positions of ID28 to ID18 of the ID value.                                                                 | p.688 <input type="checkbox"/> |
|                |                                                                                                                                                                                                                                                                                                                                                                                                                                                                                                                                                                                                 |                                | COMCTRLm register          | Do not set the TRQ bit and RDY bit to 1 at the same time. Be sure to set the RDY bit to 1 before setting the TRQ bit to 1.                                                                                                                             | p.690 <input type="checkbox"/> |
|                |                                                                                                                                                                                                                                                                                                                                                                                                                                                                                                                                                                                                 |                                |                            | Do not clear (0) the RDY bit during message transmission. Follow transmission abort procedures in order to clear the RDY bit for redefinition.                                                                                                         | p.690 <input type="checkbox"/> |
|                |                                                                                                                                                                                                                                                                                                                                                                                                                                                                                                                                                                                                 |                                |                            | If the RDY bit is not cleared (0) even when the processing to clear it is executed, execute the clearing processing again.                                                                                                                             | p.690 <input type="checkbox"/> |
|                |                                                                                                                                                                                                                                                                                                                                                                                                                                                                                                                                                                                                 |                                |                            | Confirm, by reading the RDY bit again, that the RDY bit has been cleared (0) before writing data to the message buffer. However, it is unnecessary to confirm that the TRQ or RDY bit has been set (1) or that the DN or MOW bit has been cleared (0). | p.690 <input type="checkbox"/> |
|                |                                                                                                                                                                                                                                                                                                                                                                                                                                                                                                                                                                                                 |                                |                            | Be sure to set the IE and RDY bits separately.                                                                                                                                                                                                         | p.690 <input type="checkbox"/> |
|                |                                                                                                                                                                                                                                                                                                                                                                                                                                                                                                                                                                                                 |                                |                            | Do not set the DN bit to 1 by software. Be sure to write 0 to bit 10.                                                                                                                                                                                  | p.690 <input type="checkbox"/> |
|                |                                                                                                                                                                                                                                                                                                                                                                                                                                                                                                                                                                                                 |                                |                            | Be sure to set the TRQ and RDY bits separately.                                                                                                                                                                                                        | p.691 <input type="checkbox"/> |
| Message buffer | When a message is received, reception filtering is performed in accordance with the ID and mask set to each receive message buffer. If the procedure in Figure 17-39 is not observed, the contents of the message buffer after it has been redefined may contradict the result of reception (result of reception filtering). If this happens, check that the ID and IDE received first and stored in the message buffer following redefinition are those stored after the message buffer has been redefined. If no ID and IDE are stored after redefinition, redefine the message buffer again. | p.695 <input type="checkbox"/> |                            |                                                                                                                                                                                                                                                        |                                |

| Chapter                  | Classification                                                                                                                                                                                                                                                                                                                                                                                                                  | Function                       | Details of Function                                                           | Cautions                                                                                                                                                                                                                                                                                                                                                                                                                                                                                                                                                                                                        | Page                           |
|--------------------------|---------------------------------------------------------------------------------------------------------------------------------------------------------------------------------------------------------------------------------------------------------------------------------------------------------------------------------------------------------------------------------------------------------------------------------|--------------------------------|-------------------------------------------------------------------------------|-----------------------------------------------------------------------------------------------------------------------------------------------------------------------------------------------------------------------------------------------------------------------------------------------------------------------------------------------------------------------------------------------------------------------------------------------------------------------------------------------------------------------------------------------------------------------------------------------------------------|--------------------------------|
| Chapter 17               | Soft                                                                                                                                                                                                                                                                                                                                                                                                                            | CAN controller                 | Message buffer                                                                | When a message is transmitted, the transmission priority is checked in accordance with the ID, IDE, and RTR bits set to each transmit message buffer to which a transmission request was set. The transmit message buffer having the highest priority is selected for transmission. If the procedure in Figure 17-27 is not observed, a message with an ID not having the highest priority may be transmitted after redefinition.                                                                                                                                                                               | p.695 <input type="checkbox"/> |
|                          |                                                                                                                                                                                                                                                                                                                                                                                                                                 |                                | Receive history list function                                                 | Even if the receive history list overflows (C0RGPT.ROVF bit = 1), the receive history can be read until no more history is left unread and the C0RGPT.RHPM bit is set (1). However, the ROVF bit is kept set (1) (= overflow occurs) until cleared (0) by software. In this status, the RHPM bit is not cleared (0), unless the ROVF bit is cleared (0), even if a new receive history is stored and written to the list. If ROVF bit = 1 and RHPM bit = 1 and the receive history list overflows, therefore, the RHPM bit indicates that no more history is left unread even if new receive history is stored. | p.699 <input type="checkbox"/> |
|                          |                                                                                                                                                                                                                                                                                                                                                                                                                                 |                                | Multi buffer receive block function                                           | MBRB can be configured for each of the same message buffer types. Therefore, even if a message buffer of another MBRB whose ID matches but whose message buffer type is different has a vacancy, the received message is not stored in that message buffer, but instead discarded.                                                                                                                                                                                                                                                                                                                              | p.703 <input type="checkbox"/> |
|                          |                                                                                                                                                                                                                                                                                                                                                                                                                                 |                                | Transmit history list function                                                | If the TOVF bit = 1 and the THPM bit = 1 and the transmit history list overflows, therefore, the THPM bit indicates that no more history is left unread even if new transmit history is stored.                                                                                                                                                                                                                                                                                                                                                                                                                 | p.707 <input type="checkbox"/> |
|                          |                                                                                                                                                                                                                                                                                                                                                                                                                                 |                                | Automatic block transmission                                                  | To resume the normal operation mode with ABT from the message buffer 0, set the ABTCLR bit to 1 while the ABTTRG bit is cleared to 0. If the ABTCLR bit is set to 1 while the ABTTRG bit is set to 1, the subsequent operation is not guaranteed.                                                                                                                                                                                                                                                                                                                                                               | p.710 <input type="checkbox"/> |
|                          |                                                                                                                                                                                                                                                                                                                                                                                                                                 |                                |                                                                               | Do not set the ABTTRG bit in the initialization mode. If the ABTTRG bit is set in the initialization mode, the proper operation is not guaranteed after the mode is changed from the initialization mode to the ABT mode.                                                                                                                                                                                                                                                                                                                                                                                       | p.710 <input type="checkbox"/> |
|                          |                                                                                                                                                                                                                                                                                                                                                                                                                                 |                                |                                                                               | Do not set the TRQ bit of the ABT message buffers to 1 by software in the normal operation mode with ABT. Otherwise, the operation is not guaranteed.                                                                                                                                                                                                                                                                                                                                                                                                                                                           | p.710 <input type="checkbox"/> |
|                          |                                                                                                                                                                                                                                                                                                                                                                                                                                 |                                |                                                                               | Do not clear the RDY bit to 0 when the ABTTRG bit = 1.                                                                                                                                                                                                                                                                                                                                                                                                                                                                                                                                                          | p.710 <input type="checkbox"/> |
|                          |                                                                                                                                                                                                                                                                                                                                                                                                                                 |                                |                                                                               | If a message is received from another node in the normal operation mode with ABT, the message may be transmitted after the time of one frame has elapsed even when COGMABTD register = 00H.                                                                                                                                                                                                                                                                                                                                                                                                                     | p.710 <input type="checkbox"/> |
|                          |                                                                                                                                                                                                                                                                                                                                                                                                                                 |                                | Transmission abort in normal operation mode with automatic block transmission | Be sure to abort ABT by clearing the ABTTRG bit to 0. The operation is not guaranteed if aborting transmission is requested by clearing RDY.                                                                                                                                                                                                                                                                                                                                                                                                                                                                    | p.711 <input type="checkbox"/> |
| Releasing CAN sleep mode | Even if the falling edge belongs to the SOF of a receive message, this message will not be received and stored. If the CPU has turned off the clock to the CAN while the CAN was in sleep mode, later on the CAN sleep mode will not be released and PSMODE1 and PSMODE0 bits will continue to be 01B unless the clock for the CAN is provided again. In addition to this, the receive message will not be received afterwards. | p.713 <input type="checkbox"/> |                                                                               |                                                                                                                                                                                                                                                                                                                                                                                                                                                                                                                                                                                                                 |                                |
|                          | If the falling edge is detected on the CAN reception pin (CRXD0) while the CAN clock is supplied, the PSMODE0 bit must be cleared by software (for details, refer to the processing in Figure 17-52).                                                                                                                                                                                                                           | p.713 <input type="checkbox"/> |                                                                               |                                                                                                                                                                                                                                                                                                                                                                                                                                                                                                                                                                                                                 |                                |

| Chapter    | Classification | Function       | Details of Function                                | Cautions                                                                                                                                                                                                                                                                                                                                                                                                                                                                                                                                                                                                                                                                                                                    | Page                                    |
|------------|----------------|----------------|----------------------------------------------------|-----------------------------------------------------------------------------------------------------------------------------------------------------------------------------------------------------------------------------------------------------------------------------------------------------------------------------------------------------------------------------------------------------------------------------------------------------------------------------------------------------------------------------------------------------------------------------------------------------------------------------------------------------------------------------------------------------------------------------|-----------------------------------------|
| Chapter 17 | Soft           | CAN controller | Releasing CAN sleep mode                           | When the CAN sleep mode is released by an event of the CAN bus, a wakeup interrupt occurs even if the event of the CAN bus occurs immediately after the mode has been changed to the sleep mode. Note that the interrupt can occur at any time.                                                                                                                                                                                                                                                                                                                                                                                                                                                                             | p.713 <input type="checkbox"/>          |
|            |                |                | Entering CAN stop mode                             | To set the CAN module to the CAN stop mode, the module must be in the CAN sleep mode. To confirm that the module is in the sleep mode, check that the PSMODE1 and PSMODE0 bits = 01B, and then request the CAN stop mode. If a bus change occurs at the CAN reception pin (CRXD0) while this process is being performed, the CAN sleep mode is automatically released. In this case, the CAN stop mode transition request cannot be acknowledged (when the CAN clock is supplied, however, the PSMODE0 bit must be cleared by software after a bus change occurs at the CAN reception pin (CRXD0)).                                                                                                                         | p.714 <input type="checkbox"/>          |
|            |                |                | Receive-only mode                                  | If only two CAN nodes are connected to the CAN bus and one of them is operating in the receiveonly mode, there is no ACK on the CAN bus. Due to the missing ACK, the transmitting node will transmit an active error flag, and repeat transmitting a message frame. The transmitting node becomes error passive after transmitting the message frame 16 times (assuming that the error counter was 0 in the beginning and no other errors have occurred). When the message frame is transmitted for the 17th time, the transmitting node generates a passive error flag. The receiving node in the receive-only mode detects the first valid message frame at this point, and the VALID bit is set to 1 for the first time. | p.718 <input type="checkbox"/>          |
|            |                |                | Settable bit rate combinations                     | The values in Table 17-22 do not guarantee the operation of the network system. Thoroughly check the effect on the network system, taking into consideration oscillation errors and delays of the CAN bus and CAN transceiver.                                                                                                                                                                                                                                                                                                                                                                                                                                                                                              | p.724 <input type="checkbox"/>          |
|            |                |                |                                                    | The values in Table 17-23 do not guarantee the operation of the network system. Thoroughly check the effect on the network system, taking into consideration oscillation errors and delays of the CAN bus and CAN transceiver.                                                                                                                                                                                                                                                                                                                                                                                                                                                                                              | pp.725, <input type="checkbox"/><br>726 |
|            |                |                |                                                    | The values in Table 17-24 do not guarantee the operation of the network system. Thoroughly check the effect on the network system, taking into consideration oscillation errors and delays of the CAN bus and CAN transceiver.                                                                                                                                                                                                                                                                                                                                                                                                                                                                                              | pp.727, <input type="checkbox"/><br>728 |
|            |                |                | Re-initialization                                  | After setting the CAN module to the initialization mode, avoid setting the module to another operation mode immediately after. If it is necessary to immediately set the module to another operation mode, be sure to access registers other than the C0CTRL and COGMCTRL registers (e.g., set a message buffer).                                                                                                                                                                                                                                                                                                                                                                                                           | p.730 <input type="checkbox"/>          |
|            |                |                | Message buffer initialization                      | Before a message buffer is initialized, the RDY bit must be cleared.                                                                                                                                                                                                                                                                                                                                                                                                                                                                                                                                                                                                                                                        | p.731 <input type="checkbox"/>          |
|            |                |                |                                                    | Make the following settings for message buffers not used by the application. <ul style="list-style-type: none"> <li>• Clear the C0MCTRLm.RDY, C0MCTRLm.TRQ, and C0MCTRLm.DN bits to 0.</li> <li>• Clear the C0MCONFm.MA0 bit to 0.</li> </ul>                                                                                                                                                                                                                                                                                                                                                                                                                                                                               | p.731 <input type="checkbox"/>          |
|            |                |                | Message transmit processing                        | The TRQ bit should be set after the RDY bit is set.                                                                                                                                                                                                                                                                                                                                                                                                                                                                                                                                                                                                                                                                         | p.734 <input type="checkbox"/>          |
|            |                |                |                                                    | The RDY bit and TRQ bit should not be set at the same time.                                                                                                                                                                                                                                                                                                                                                                                                                                                                                                                                                                                                                                                                 | p.734 <input type="checkbox"/>          |
|            |                |                | ABT message transmit processing                    | The ABTTRG bit should be set to 1 after the TSTAT bit is cleared to 0. The checking of the TSTAT bit and the setting for the ABTTRG bit to 1 must be continuous.                                                                                                                                                                                                                                                                                                                                                                                                                                                                                                                                                            | p.735 <input type="checkbox"/>          |
|            |                |                | Transmission via interrupt (Using C0LOPT register) | The TRQ bit should be set after the RDY bit is set.                                                                                                                                                                                                                                                                                                                                                                                                                                                                                                                                                                                                                                                                         | p.736 <input type="checkbox"/>          |
|            |                |                |                                                    | The RDY bit and TRQ bit should not be set at the same time.                                                                                                                                                                                                                                                                                                                                                                                                                                                                                                                                                                                                                                                                 | p.736 <input type="checkbox"/>          |

| Chapter                                                    | Classification                                                                                                                                                                                                                                                                                                                                                                                                                                                                                              | Function                       | Details of Function                                                                        | Cautions                                                                                                                                                                                                                                                                                                                                                                                                                                                                                                    | Page                                 |
|------------------------------------------------------------|-------------------------------------------------------------------------------------------------------------------------------------------------------------------------------------------------------------------------------------------------------------------------------------------------------------------------------------------------------------------------------------------------------------------------------------------------------------------------------------------------------------|--------------------------------|--------------------------------------------------------------------------------------------|-------------------------------------------------------------------------------------------------------------------------------------------------------------------------------------------------------------------------------------------------------------------------------------------------------------------------------------------------------------------------------------------------------------------------------------------------------------------------------------------------------------|--------------------------------------|
| Chapter 17                                                 | Soft                                                                                                                                                                                                                                                                                                                                                                                                                                                                                                        | CAN controller                 | Transmission via interrupt (Using C0TGPT register)                                         | The TRQ bit should be set after the RDY bit is set.                                                                                                                                                                                                                                                                                                                                                                                                                                                         | p.737 <input type="checkbox"/>       |
|                                                            |                                                                                                                                                                                                                                                                                                                                                                                                                                                                                                             |                                |                                                                                            | The RDY bit and TRQ bit should not be set at the same time.                                                                                                                                                                                                                                                                                                                                                                                                                                                 | p.737 <input type="checkbox"/>       |
|                                                            |                                                                                                                                                                                                                                                                                                                                                                                                                                                                                                             |                                |                                                                                            | If the TOVF bit is set (1) again, the transmit history list contradicts. Therefore, scan all the transmit message buffers that have completed transmission.                                                                                                                                                                                                                                                                                                                                                 | p.737 <input type="checkbox"/>       |
|                                                            |                                                                                                                                                                                                                                                                                                                                                                                                                                                                                                             |                                | Transmission via software polling                                                          | The TRQ bit should be set after the RDY bit is set.                                                                                                                                                                                                                                                                                                                                                                                                                                                         | p.738 <input type="checkbox"/>       |
|                                                            |                                                                                                                                                                                                                                                                                                                                                                                                                                                                                                             |                                |                                                                                            | The RDY bit and TRQ bit should not be set at the same time.                                                                                                                                                                                                                                                                                                                                                                                                                                                 | p.738 <input type="checkbox"/>       |
|                                                            |                                                                                                                                                                                                                                                                                                                                                                                                                                                                                                             |                                |                                                                                            | If the TOVF bit is set (1) again, the transmit history list contradicts. Therefore, scan all the transmit message buffers that have completed transmission.                                                                                                                                                                                                                                                                                                                                                 | p.738 <input type="checkbox"/>       |
|                                                            |                                                                                                                                                                                                                                                                                                                                                                                                                                                                                                             |                                | Transmission abort processing (Other than in normal operation mode with ABT)               | Execute transmission abort processing by clearing the TRQ bit, not the RDY bit.                                                                                                                                                                                                                                                                                                                                                                                                                             | p.739 <input type="checkbox"/>       |
|                                                            |                                                                                                                                                                                                                                                                                                                                                                                                                                                                                                             |                                |                                                                                            | Before making a sleep mode transition request, confirm that there is no transmission request left using this processing.                                                                                                                                                                                                                                                                                                                                                                                    | p.739 <input type="checkbox"/>       |
|                                                            |                                                                                                                                                                                                                                                                                                                                                                                                                                                                                                             |                                |                                                                                            | The TSTAT bit can be periodically checked by a user application or can be checked after the transmit completion interrupt.                                                                                                                                                                                                                                                                                                                                                                                  | p.739 <input type="checkbox"/>       |
|                                                            |                                                                                                                                                                                                                                                                                                                                                                                                                                                                                                             |                                |                                                                                            | Do not execute a new transmission request that includes other message buffers while transmission abort processing is in progress.                                                                                                                                                                                                                                                                                                                                                                           | p.739 <input type="checkbox"/>       |
|                                                            |                                                                                                                                                                                                                                                                                                                                                                                                                                                                                                             |                                |                                                                                            | If data of the same message buffer are successively transmitted or if only one message buffer is used, judgments whether transmission has been successfully executed or failed may contradict. In such a case, make a judgment by using the history information of the C0TGPT register.                                                                                                                                                                                                                     | p.739 <input type="checkbox"/>       |
|                                                            |                                                                                                                                                                                                                                                                                                                                                                                                                                                                                                             |                                | Transmission abort processing (Other than in normal operation mode with ABT)               | Execute transmission abort processing by clearing the TRQ bit, not the RDY bit.                                                                                                                                                                                                                                                                                                                                                                                                                             | p.740 <input type="checkbox"/>       |
|                                                            |                                                                                                                                                                                                                                                                                                                                                                                                                                                                                                             |                                |                                                                                            | Before making a sleep mode transition request, confirm that there is no transmission request left using this processing.                                                                                                                                                                                                                                                                                                                                                                                    | p.740 <input type="checkbox"/>       |
|                                                            |                                                                                                                                                                                                                                                                                                                                                                                                                                                                                                             |                                |                                                                                            | Do not execute a new transmission request that includes other message buffers while transmission abort processing is in progress.                                                                                                                                                                                                                                                                                                                                                                           | p.740 <input type="checkbox"/>       |
|                                                            |                                                                                                                                                                                                                                                                                                                                                                                                                                                                                                             |                                |                                                                                            | If data of the same message buffer are successively transmitted or if only one message buffer is used, judgments whether transmission has been successfully executed or failed may contradict. In such a case, make a judgment by using the history information of the C0TGPT register.                                                                                                                                                                                                                     | p.740 <input type="checkbox"/>       |
|                                                            |                                                                                                                                                                                                                                                                                                                                                                                                                                                                                                             |                                | Transmission abort processing except for ABT transmission (Normal operation mode with ABT) | Do not set any transmission requests while ABT transmission abort processing is in progress.                                                                                                                                                                                                                                                                                                                                                                                                                | pp.741, 742 <input type="checkbox"/> |
|                                                            |                                                                                                                                                                                                                                                                                                                                                                                                                                                                                                             |                                |                                                                                            | Make a CAN sleep mode/CAN stop mode transition request after the ABTTRG bit is cleared (after ABT mode is stopped) following the procedure shown in Figure 17-47 (a) or (b). When clearing a transmission request in an area other than the ABT area, follow the procedure shown in Figure 17-45.                                                                                                                                                                                                           | pp.741, 742 <input type="checkbox"/> |
|                                                            |                                                                                                                                                                                                                                                                                                                                                                                                                                                                                                             |                                | Reception via interrupt processing (Using C0LIPT register)                                 | Check the MBON bit at the start and end of the interrupt routine to see if the message buffer and receive history register can be accessed, because a CAN sleep mode transition request which has been held pending may be under execution. If the MBON bit is cleared (0), stop the processing under execution. Re-execute the processing after the MBON bit is set (1) again. It is therefore recommended to cancel the CAN sleep mode transition request before executing reception interrupt servicing. | p.743 <input type="checkbox"/>       |
| Reception via interrupt processing (Using C0RGPT register) | Check the MBON bit at the start and end of the interrupt routine to see if the message buffer and receive history register can be accessed, because a CAN sleep mode transition request which has been held pending may be under execution. If the MBON bit is cleared (0), stop the processing under execution. Re-execute the processing after the MBON bit is set (1) again. It is therefore recommended to cancel the CAN sleep mode transition request before executing reception interrupt servicing. | p.744 <input type="checkbox"/> |                                                                                            |                                                                                                                                                                                                                                                                                                                                                                                                                                                                                                             |                                      |
|                                                            | If the ROVF bit has been once set (1), the receive history list contradicts. Therefore, scan all the receive message buffers that have completed reception.                                                                                                                                                                                                                                                                                                                                                 | p.744 <input type="checkbox"/> |                                                                                            |                                                                                                                                                                                                                                                                                                                                                                                                                                                                                                             |                                      |

| Chapter    | Classification | Function                                                                                                                                                                                                                                                                                                                                                                                                                                | Details of Function                       | Cautions                                                                                                                                                                                                                                                                                                                                                                                                                              | Page                                 |
|------------|----------------|-----------------------------------------------------------------------------------------------------------------------------------------------------------------------------------------------------------------------------------------------------------------------------------------------------------------------------------------------------------------------------------------------------------------------------------------|-------------------------------------------|---------------------------------------------------------------------------------------------------------------------------------------------------------------------------------------------------------------------------------------------------------------------------------------------------------------------------------------------------------------------------------------------------------------------------------------|--------------------------------------|
| Chapter 17 | Soft           | CAN controller                                                                                                                                                                                                                                                                                                                                                                                                                          | Reception via software polling processing | Check the MBON bit at the start and end of the polling routine to see if the message buffer and receive history register can be accessed, because a CAN sleep mode transition request which has been held pending may be under execution. If the MBON bit is cleared (0), stop the processing under execution. Re-execute the processing after the MBON bit is set (1) again.                                                         | p.745 <input type="checkbox"/>       |
|            |                |                                                                                                                                                                                                                                                                                                                                                                                                                                         |                                           | If the ROVF bit has been once set (1), the receive history list contradicts. Therefore, scan all the receive message buffers that have completed reception.                                                                                                                                                                                                                                                                           | p.745 <input type="checkbox"/>       |
|            |                |                                                                                                                                                                                                                                                                                                                                                                                                                                         | Setting CAN sleep mode/stop mode          | To abort transmission before making a request for the CAN sleep mode, perform processing according to Figures 17-45 to 17-47.                                                                                                                                                                                                                                                                                                         | p.746 <input type="checkbox"/>       |
|            |                |                                                                                                                                                                                                                                                                                                                                                                                                                                         | Bus-off recovery                          | If a request to change the mode from the initialization mode to any operation mode is made to execute the bus-off recovery sequence again during a bus-off recovery sequence, the receive error counter (C0ERC.REC0 to REC6 bits) is cleared. It is therefore necessary to detect 11 contiguous recessive bits 128 times on the bus again.                                                                                            | pp.748, 749 <input type="checkbox"/> |
|            |                |                                                                                                                                                                                                                                                                                                                                                                                                                                         | Forced shutdown process                   | Do not read- or write-access any registers by software between setting the EFSD bit and clearing the GOM bit.                                                                                                                                                                                                                                                                                                                         | p.751 <input type="checkbox"/>       |
|            |                |                                                                                                                                                                                                                                                                                                                                                                                                                                         | Setting CPU standby (from CAN sleep mode) | Check if the CPU is in the CAN sleep mode before setting it to the standby mode. The CAN sleep mode may be released by wakeup after it is checked if the CPU is in the CAN sleep mode and before the CPU is set in the standby mode.                                                                                                                                                                                                  | p.753 <input type="checkbox"/>       |
|            |                |                                                                                                                                                                                                                                                                                                                                                                                                                                         | Setting CPU standby (from CAN stop mode)  | The CAN stop mode can only be released by writing 01 to the C0CTRL.PSMODE1 and C0CTRL.PSMODE0 bits. It cannot be released by changing the CAN bus.                                                                                                                                                                                                                                                                                    | p.754 <input type="checkbox"/>       |
| Chapter 18 | Soft           | DMA function (DMA controller)                                                                                                                                                                                                                                                                                                                                                                                                           | DSAn register                             | Be sure to clear bits 14 to 10 of the DSAnH register to 0.                                                                                                                                                                                                                                                                                                                                                                            | p.757 <input type="checkbox"/>       |
|            |                |                                                                                                                                                                                                                                                                                                                                                                                                                                         |                                           | Set the DSAnH and DSAnL registers at the following timing when DMA transfer is disabled (DCHCn.Enn bit = 0). <ul style="list-style-type: none"> <li>• Period from after reset to start of first DMA transfer</li> <li>• Period from after channel initialization by DCHCn.INITn bit to start of DMA transfer</li> <li>• Period from after completion of DMA transfer (DCHCn.TCn bit = 1) to start of the next DMA transfer</li> </ul> | p.757 <input type="checkbox"/>       |
|            |                |                                                                                                                                                                                                                                                                                                                                                                                                                                         |                                           | When the value of the DSAn register is read, two 16-bit registers, DSAnH and DSAnL, are read. If reading and updating conflict, the value being updated may be read (see 18.13 Cautions).                                                                                                                                                                                                                                             | p.757 <input type="checkbox"/>       |
|            |                |                                                                                                                                                                                                                                                                                                                                                                                                                                         |                                           | Following reset, set the DSAnH, DSAnL, DDAAnH, DDAAnL, and DBCn registers before starting DMA transfer. If these registers are not set, the operation when DMA transfer is started is not guaranteed.                                                                                                                                                                                                                                 | p.757 <input type="checkbox"/>       |
|            |                |                                                                                                                                                                                                                                                                                                                                                                                                                                         | DDAn register                             | Be sure to clear bits 14 to 10 of the DDAAnH register to 0.                                                                                                                                                                                                                                                                                                                                                                           | p.758 <input type="checkbox"/>       |
|            |                | Set the DDAAnH and DDAAnL registers at the following timing when DMA transfer is disabled (DCHCn.Enn bit = 0). <ul style="list-style-type: none"> <li>• Period from after reset to start of first DMA transfer</li> <li>• Period from after channel initialization by DCHCn.INITn bit to start of DMA transfer</li> <li>• Period from after completion of DMA transfer (DCHCn.TCn bit = 1) to start of the next DMA transfer</li> </ul> | p.758 <input type="checkbox"/>            |                                                                                                                                                                                                                                                                                                                                                                                                                                       |                                      |
|            |                | When the value of the DDAAn register is read, two 16-bit registers, DDAAnH and DDAAnL, are read. If reading and updating conflict, a value being updated may be read (see 18.13 Cautions).                                                                                                                                                                                                                                              | p.758 <input type="checkbox"/>            |                                                                                                                                                                                                                                                                                                                                                                                                                                       |                                      |

| Chapter    | Classification | Function                      | Details of Function                                                                                                                                                                                                                                                                                                | Cautions                                                                                                                                                                                                                                                                                                                                                                                                                        | Page                                                     |                          |
|------------|----------------|-------------------------------|--------------------------------------------------------------------------------------------------------------------------------------------------------------------------------------------------------------------------------------------------------------------------------------------------------------------|---------------------------------------------------------------------------------------------------------------------------------------------------------------------------------------------------------------------------------------------------------------------------------------------------------------------------------------------------------------------------------------------------------------------------------|----------------------------------------------------------|--------------------------|
| Chapter 18 | Soft           | DMA function (DMA controller) | DDAn register                                                                                                                                                                                                                                                                                                      | Following reset, set the DSA nH, DSA nL, DDAnH, DDAnL, and DBCn registers before starting DMA transfer. If these registers are not set, the operation when DMA transfer is started is not guaranteed.                                                                                                                                                                                                                           | p.758                                                    | <input type="checkbox"/> |
|            |                |                               | DBCn register                                                                                                                                                                                                                                                                                                      | Set the DBCn register at the following timing when DMA transfer is disabled (DCHCn.Enn bit = 0). <ul style="list-style-type: none"> <li>• Period from after reset to start of first DMA transfer</li> <li>• Period from after channel initialization by DCHCn.INITn bit to start of DMA transfer</li> <li>• Period from after completion of DMA transfer (DCHCn.TCn bit = 1) to start of the next DMA transfer</li> </ul>       | p.759                                                    | <input type="checkbox"/> |
|            |                |                               |                                                                                                                                                                                                                                                                                                                    | Following reset, set the DSA nH, DSA nL, DDAnH, DDAnL, and DBCn registers before starting DMA transfer. If these registers are not set, the operation when DMA transfer is started is not guaranteed.                                                                                                                                                                                                                           | p.759                                                    | <input type="checkbox"/> |
|            |                |                               | DADCn register                                                                                                                                                                                                                                                                                                     | Be sure to clear bits 15, 13 to 8, and 3 to 0 of the DADCn register to "0".                                                                                                                                                                                                                                                                                                                                                     | p.760                                                    | <input type="checkbox"/> |
|            |                |                               |                                                                                                                                                                                                                                                                                                                    | Set the DADCn register at the following timing when DMA transfer is disabled (DCHCn.Enn bit = 0). <ul style="list-style-type: none"> <li>• Period from after reset to start of first DMA transfer</li> <li>• Period from after channel initialization by DCHCn.INITn bit to start of DMA transfer</li> <li>• Period from after completion of DMA transfer (DCHCn.TCn bit = 1) to start of the next DMA transfer</li> </ul>      | p.760                                                    | <input type="checkbox"/> |
|            |                |                               |                                                                                                                                                                                                                                                                                                                    | The DS0 bit specifies the size of the transfer data, and does not control bus sizing. If 8-bit data (DS0 bit = 0) is set, therefore, the lower data bus is not always used.                                                                                                                                                                                                                                                     | p.760                                                    | <input type="checkbox"/> |
|            |                |                               |                                                                                                                                                                                                                                                                                                                    | If the transfer data size is set to 16 bits (DS0 bit = 1), transfer cannot be started from an odd address. Transfer is always started from an address with the first bit of the lower address aligned to 0.                                                                                                                                                                                                                     | p.760                                                    | <input type="checkbox"/> |
|            |                |                               |                                                                                                                                                                                                                                                                                                                    | If DMA transfer is executed on an on-chip peripheral I/O register (as the transfer source or destination), be sure to specify the same transfer size as the register size. For example, to execute DMA transfer on an 8-bit register, be sure to specify 8-bit transfer.                                                                                                                                                        | p.760                                                    | <input type="checkbox"/> |
|            |                |                               |                                                                                                                                                                                                                                                                                                                    | DCHCn register                                                                                                                                                                                                                                                                                                                                                                                                                  | Be sure to clear bits 6 to 3 of the DCHCn register to 0. | p.761                    |
|            |                |                               | When DMA transfer is completed (when a terminal count is generated), the Enn bit is cleared to 0 and then the TCn bit is set to 1. If the DCHCn register is read while its bits are being updated, a value indicating "transfer not completed and transfer is disabled" (TCn bit = 0 and Enn bit = 0) may be read. |                                                                                                                                                                                                                                                                                                                                                                                                                                 | p.761                                                    | <input type="checkbox"/> |
|            |                |                               | DTFR0 register                                                                                                                                                                                                                                                                                                     | Set the IFCn5 to IFCn0 bits at the following timing when DMA transfer is disabled (DCHCn.Enn bit = 0). <ul style="list-style-type: none"> <li>• Period from after reset to start of first DMA transfer</li> <li>• Period from after channel initialization by DCHCn.INITn bit to start of DMA transfer</li> <li>• Period from after completion of DMA transfer (DCHCn.TCn bit = 1) to start of the next DMA transfer</li> </ul> | p.762                                                    | <input type="checkbox"/> |
|            |                |                               |                                                                                                                                                                                                                                                                                                                    | Be sure to follow the steps shown in the Caution 2 in 18.3 (6) when changing the DTFRn register settings.                                                                                                                                                                                                                                                                                                                       | p.763                                                    | <input type="checkbox"/> |
|            |                |                               |                                                                                                                                                                                                                                                                                                                    | An interrupt request that is generated in the standby mode (IDEL1, IDLE2, STOP, or sub-IDLE mode) does not start the DMA transfer cycle (nor is the DF n bit set to 1).                                                                                                                                                                                                                                                         | p.763                                                    | <input type="checkbox"/> |
|            |                |                               |                                                                                                                                                                                                                                                                                                                    | If a DMA start factor is selected by the IFCn5 to IFCn0 bits, the DF n bit is set to 1 when an interrupt occurs from the selected on-chip peripheral I/O, regardless of whether the DMA transfer is enabled or disabled. If DMA is enabled in this status, DMA transfer is immediately started.                                                                                                                                 | p.763                                                    | <input type="checkbox"/> |
|            |                |                               | Transfer targets                                                                                                                                                                                                                                                                                                   | The operation is not guaranteed for combinations of transfer destination and source marked with "x" in Table 18-2.                                                                                                                                                                                                                                                                                                              | p.765                                                    | <input type="checkbox"/> |

| Chapter    | Classification | Function                      | Details of Function        | Cautions                                                                                                                                                                                                                                                         | Page                                                                                                                                                                                                                                                                                                                                                                                                                                                                                                                                                                                                                                                                                                                                            |                                      |
|------------|----------------|-------------------------------|----------------------------|------------------------------------------------------------------------------------------------------------------------------------------------------------------------------------------------------------------------------------------------------------------|-------------------------------------------------------------------------------------------------------------------------------------------------------------------------------------------------------------------------------------------------------------------------------------------------------------------------------------------------------------------------------------------------------------------------------------------------------------------------------------------------------------------------------------------------------------------------------------------------------------------------------------------------------------------------------------------------------------------------------------------------|--------------------------------------|
| Chapter 18 | Soft           | DMA function (DMA controller) | DMA transfer start factors | Two start factors (software trigger and hardware trigger) cannot be used for one DMA channel. If two start factors are simultaneously generated for one DMA channel, only one of them is valid. The start factor that is valid cannot be identified.             | p.768 <input type="checkbox"/>                                                                                                                                                                                                                                                                                                                                                                                                                                                                                                                                                                                                                                                                                                                  |                                      |
|            |                |                               |                            | A new transfer request that is generated after the preceding DMA transfer request was generated or in the preceding DMA transfer cycle is ignored (cleared).                                                                                                     | p.768 <input type="checkbox"/>                                                                                                                                                                                                                                                                                                                                                                                                                                                                                                                                                                                                                                                                                                                  |                                      |
|            |                |                               |                            | Therefore, the transfer request intervals for the same DMA channel must be sufficiently separated by the system. When the software trigger is used, completion of the DMA transfer cycle that was generated before can be checked by updating the DBCn register. | p.768 <input type="checkbox"/>                                                                                                                                                                                                                                                                                                                                                                                                                                                                                                                                                                                                                                                                                                                  |                                      |
|            |                |                               |                            | Caution for VSWC register                                                                                                                                                                                                                                        | When using the DMAC, be sure to set an appropriate value, in accordance with the operating frequency, to the VSWC register.<br>When the default value (77H) of the VSWC register is used, or if an inappropriate value is set to the VSWC register, the operation is not correctly performed (for details of the VSWC register, see 3.4.9 (1) (a) System wait control register (VSWC)).                                                                                                                                                                                                                                                                                                                                                         | p.774 <input type="checkbox"/>       |
|            |                |                               |                            | Caution for DMA transfer executed on internal RAM                                                                                                                                                                                                                | When executing the following instructions located in the internal RAM, do not execute a DMA transfer that transfers data to/from the internal RAM (transfer source/destination), because the CPU may not operate correctly afterward.<br>• Bit manipulation instruction located in internal RAM (SET1, CLR1, or NOT1)<br>• Data access instruction to misaligned address located in internal RAM<br>Conversely, when executing a DMA transfer to transfer data to/from the internal RAM (transfer source/destination), do not execute the above two instructions.                                                                                                                                                                               | p.774 <input type="checkbox"/>       |
|            |                |                               |                            | Caution for reading DCHCn.TCn bit (n = 0 to 3)                                                                                                                                                                                                                   | The TCn bit is cleared to 0 when it is read, but it is not automatically cleared even if it is read at a specific timing. To accurately clear the TCn bit, add the following processing.<br>(a) When waiting for completion of DMA transfer by polling TCn bit<br>Confirm that the TCn bit has been set to 1 (after TCn bit = 1 is read), and then read the TCn bit three more times.<br>(b) When reading TCn bit in interrupt servicing routine<br>Execute reading the TCn bit three times.                                                                                                                                                                                                                                                    | p.774 <input type="checkbox"/>       |
|            |                |                               |                            | DMA transfer initialization procedure (setting DCHCn.INITn bit to 1)                                                                                                                                                                                             | Even if the INITn bit is set to 1 when the channel executing DMA transfer is to be initialized, the channel may not be initialized. To accurately initialize the channel, execute either of the two procedures shown in 18.13 (4) (a) and (b).                                                                                                                                                                                                                                                                                                                                                                                                                                                                                                  | pp.775, 776 <input type="checkbox"/> |
|            |                |                               |                            | Procedure of temporarily stopping DMA transfer (clearing Enn bit)                                                                                                                                                                                                | Stop and resume the DMA transfer under execution using the following procedure.<br><1> Suppress a transfer request from the DMA request source (stop the operation of the on-chip peripheral I/O).<br><2> Check the DMA transfer request is not held pending, by using the DFn bit (check if the DFn bit = 0).<br>If a request is pending, wait until execution of the pending DMA transfer request is completed.<br><3> If it has been confirmed that no DMA transfer request is held pending, clear the Enn bit to 0 (this operation stops DMA transfer).<br><4> Set the Enn bit to 1 to resume DMA transfer.<br><5> Resume the operation of the DMA request source that has been stopped (start the operation of the onchip peripheral I/O). | p.776 <input type="checkbox"/>       |
|            |                |                               |                            | Memory boundary                                                                                                                                                                                                                                                  | The operation is not guaranteed if the address of the transfer source or destination exceeds the area of the DMA target (external memory, internal RAM, or on-chip peripheral I/O) during DMA transfer.                                                                                                                                                                                                                                                                                                                                                                                                                                                                                                                                         | p.776 <input type="checkbox"/>       |

| Chapter                                                                                                                                                                                                                     | Classification                 | Function                                | Details of Function                                            | Cautions                                                                                                                                                                                                                                                                                                                                                                                                                                                                 | Page                           |
|-----------------------------------------------------------------------------------------------------------------------------------------------------------------------------------------------------------------------------|--------------------------------|-----------------------------------------|----------------------------------------------------------------|--------------------------------------------------------------------------------------------------------------------------------------------------------------------------------------------------------------------------------------------------------------------------------------------------------------------------------------------------------------------------------------------------------------------------------------------------------------------------|--------------------------------|
| Chapter 18                                                                                                                                                                                                                  | Soft                           | DMA function (DMA controller)           | Transferring misaligned data                                   | DMA transfer of misaligned data with a 16-bit bus width is not supported.<br>If an odd address is specified as the transfer source or destination, the least significant bit of the address is forcibly assumed to be 0.                                                                                                                                                                                                                                                 | p.776 <input type="checkbox"/> |
|                                                                                                                                                                                                                             |                                |                                         | Registers/bits that must not be rewritten during DMA operation | Set the following registers at the following timing when a DMA operation is not under execution.<br>[Registers]<br>• DSAnH, DSAnL, DDAnH, DDAnL, DBCn, and DADCn registers<br>• DTFRn.IFCn5 to DTFRn.IFCn0 bits<br>[Timing of setting]<br>• Period from after reset to start of the first DMA transfer<br>• Time after channel initialization to start of DMA transfer<br>• Period from after completion of DMA transfer (TCn bit = 1) to start of the next DMA transfer | p.777 <input type="checkbox"/> |
|                                                                                                                                                                                                                             |                                |                                         | Be sure to set the following register bits to 0.               | Be sure to set the following register bits to 0.<br>• Bits 14 to 10 of DSAnH register<br>• Bits 14 to 10 of DDAnH register<br>• Bits 15, 13 to 8, and 3 to 0 of DADCn register<br>• Bits 6 to 3 of DCHCn register                                                                                                                                                                                                                                                        | p.777 <input type="checkbox"/> |
|                                                                                                                                                                                                                             |                                |                                         | DMA start factor                                               | Care must be exercised when setting the same start trigger for multiple DMA channels.<br>If DMA transfers via such DMA channels are activated, the DMA channel with a lower priority may be acknowledged prior to the DMA channel with a higher priority.                                                                                                                                                                                                                | p.777 <input type="checkbox"/> |
|                                                                                                                                                                                                                             |                                |                                         | Read values of DSAn and DDAn registers                         | Values in the middle of updating may be read from the DSAn and DDAn registers during DMA transfer (n = 0 to 3).                                                                                                                                                                                                                                                                                                                                                          | p.778 <input type="checkbox"/> |
| Chapter 19                                                                                                                                                                                                                  | Soft                           | Interrupt/exception processing function | Non-maskable interrupts                                        | For the non-maskable interrupt servicing executed by the non-maskable interrupt request signal (INTWDT2), see 19.2.2 (2) INTWDT2 signal.                                                                                                                                                                                                                                                                                                                                 | p.783 <input type="checkbox"/> |
|                                                                                                                                                                                                                             |                                |                                         |                                                                | When the EP and NP bits are changed by the LDSR instruction during non-maskable interrupt servicing, in order to restore the PC and PSW correctly during recovery by the RETI instruction, it is necessary to set the EP bit back to 0 and the NP bit back to 1 using the LDSR instruction immediately before the RETI instruction.                                                                                                                                      | p.786 <input type="checkbox"/> |
|                                                                                                                                                                                                                             |                                |                                         | Maskable interrupts                                            | When the EP and NP bits are changed by the LDSR instruction during maskable interrupt servicing, in order to restore the PC and PSW correctly during recovery by the RETI instruction, it is necessary to set the EP bit back to 0 and the NP bit back to 0 using the LDSR instruction immediately before the RETI instruction.                                                                                                                                          | p.790 <input type="checkbox"/> |
|                                                                                                                                                                                                                             |                                |                                         |                                                                | To perform multiple interrupt servicing, the values of the EIPC and EIPSW registers must be saved before executing the EI instruction. When returning from multiple interrupt servicing, restore the values of EIPC and EIPSW after executing the DI instruction.                                                                                                                                                                                                        | p.792 <input type="checkbox"/> |
|                                                                                                                                                                                                                             |                                |                                         | xxlCn register                                                 | Disable interrupts (DI) or mask the interrupt to read the xxlCn.xxIFn bit. If the xxlCn.xxIFn bit is read while interrupts are enabled (EI) or while the interrupt is unmasked, the correct value may not be read when acknowledging an interrupt and reading the bit conflict.                                                                                                                                                                                          | p.795 <input type="checkbox"/> |
| When manipulating the xxlCn.xxMKn bit while interrupt requests may occur (including the state in which interrupts are disabled (DI)), be sure to use a bit manipulation instruction or use the IMRm.xxMKn bit (m = 0 to 3). | p.795 <input type="checkbox"/> |                                         |                                                                |                                                                                                                                                                                                                                                                                                                                                                                                                                                                          |                                |



| Chapter    | Classification                                                                                                                                                                                                                                                                                               | Function                                | Details of Function      | Caution                                                                                                                                                                                                                                                                                                                                                                                                                                                                             | Page                           |
|------------|--------------------------------------------------------------------------------------------------------------------------------------------------------------------------------------------------------------------------------------------------------------------------------------------------------------|-----------------------------------------|--------------------------|-------------------------------------------------------------------------------------------------------------------------------------------------------------------------------------------------------------------------------------------------------------------------------------------------------------------------------------------------------------------------------------------------------------------------------------------------------------------------------------|--------------------------------|
| Chapter 19 | Soft                                                                                                                                                                                                                                                                                                         | Interrupt/exception processing function | IMR0 to IMR3 registers   | Set bits 0 and 9 to 13 of the IMR0 register, bits 5, 6, and 14 of the IMR2 register, and bits 11 to 15 of the IMR3 register to "1". If the setting of these bits is changed, the operation is not guaranteed.                                                                                                                                                                                                                                                                       | p.798 <input type="checkbox"/> |
|            |                                                                                                                                                                                                                                                                                                              |                                         | ISPR register            | If an interrupt is acknowledged while the ISPR register is being read in the interrupt enabled (EI) status, the value of the ISPR register after the bits of the register have been set by acknowledging the interrupt may be read. To accurately read the value of the ISPR register before an interrupt is acknowledged, read the register while interrupts are disabled (DI).                                                                                                    | p.799 <input type="checkbox"/> |
|            |                                                                                                                                                                                                                                                                                                              |                                         | Software exception       | When the EP and NP bits are changed by the LDSR instruction during the software exception processing, in order to restore the PC and PSW correctly during recovery by the RETI instruction, it is necessary to set the EP bit back to 1 and the NP bit back to 0 using the LDSR instruction immediately before the RETI instruction.                                                                                                                                                | p.802 <input type="checkbox"/> |
|            |                                                                                                                                                                                                                                                                                                              |                                         | Exception trap           | Since it is possible to assign this instruction to an illegal opcode in the future, it is recommended that it not be used.                                                                                                                                                                                                                                                                                                                                                          | p.804 <input type="checkbox"/> |
|            |                                                                                                                                                                                                                                                                                                              |                                         |                          | DBPC and DBPSW can be accessed only during the interval between the execution of the illegal opcode and DBRET instruction.                                                                                                                                                                                                                                                                                                                                                          | p.805 <input type="checkbox"/> |
|            |                                                                                                                                                                                                                                                                                                              |                                         |                          | DBPC and DBPSW can be accessed after the DBTRAP instruction is executed and before the DBRET instruction is executed.                                                                                                                                                                                                                                                                                                                                                               | p.807 <input type="checkbox"/> |
|            |                                                                                                                                                                                                                                                                                                              |                                         | INTF0, INTR0 registers   | When the function is changed from the external interrupt function (alternate function) to the port function, an edge may be detected. Therefore, clear the INTF0n and INTR0n bits to 00, and then set the port mode.                                                                                                                                                                                                                                                                | p.809 <input type="checkbox"/> |
|            |                                                                                                                                                                                                                                                                                                              |                                         |                          | Be sure to clear the INTF0n and INTR0n bits to 00 when these registers are not used as the NMI or INTP0 to INTP3 pins.                                                                                                                                                                                                                                                                                                                                                              | p.809 <input type="checkbox"/> |
|            |                                                                                                                                                                                                                                                                                                              |                                         | INTF3, INTR3 registers   | When the function is changed from the external interrupt function (alternate function) to the port function, an edge may be detected. Therefore, clear the INTF31 and INTR31 bits to 00, and then set the port mode.                                                                                                                                                                                                                                                                | p.810 <input type="checkbox"/> |
|            |                                                                                                                                                                                                                                                                                                              |                                         |                          | The INTP7 pin and RXDA0 pin are alternate-function pins. When using the pin as the RXDA0 pin, disable edge detection for the INTP7 alternate-function pin (clear the INTF3.INTF31 bit and the INTR3.INTR31 bit to 0). When using the pin as the INTP7 pin, stop UAR0 reception (clear the UA0CTL0.UA0RXE bit to 0).                                                                                                                                                                 | p.810 <input type="checkbox"/> |
|            |                                                                                                                                                                                                                                                                                                              |                                         |                          | Be sure to clear the INTF31 and INTR31 bits to 00 when these registers are not used as INTP7 pin.                                                                                                                                                                                                                                                                                                                                                                                   | p.810 <input type="checkbox"/> |
|            |                                                                                                                                                                                                                                                                                                              |                                         | INTF9H, INTR9H registers | When the function is changed from the external interrupt function (alternate function) to the port function, an edge may be detected. Therefore, clear the INTF9n and INTR9n bits to 0, and then set the port mode.                                                                                                                                                                                                                                                                 | p.811 <input type="checkbox"/> |
|            |                                                                                                                                                                                                                                                                                                              |                                         |                          | Be sure to clear the INTF9n and INTR9n bits to 00 when these registers are not used as INTP4 to INTP6 pins.                                                                                                                                                                                                                                                                                                                                                                         | p.811 <input type="checkbox"/> |
|            |                                                                                                                                                                                                                                                                                                              |                                         | NFC register             | Therefore, be careful about the following points when using the interrupt and DMA functions ( $\mu$ PD703253Y only). <ul style="list-style-type: none"> <li>When using the interrupt function, after the 3 sampling clocks have elapsed, enable interrupts after the interrupt request flag (PIC3.PIF3 bit) has been cleared.</li> <li>When using the DMA function (started by INTP3) in the <math>\mu</math>PD703253Y, enable DMA after 3 sampling clocks have elapsed.</li> </ul> | p.812 <input type="checkbox"/> |
| NMI pin    | The NMI pin and P02 pin are an alternate-function pin, and function as a normal port pin after being reset. To enable the NMI pin, validate the NMI pin with the PMCO register. The initial setting of the NMI pin is "No edge detected". Select the NMI pin valid edge using the INTF0 and INTR0 registers. | p.815 <input type="checkbox"/>          |                          |                                                                                                                                                                                                                                                                                                                                                                                                                                                                                     |                                |

| Chapter    | Classification                                                                                                                                                    | Function                                | Details of Function  | Cautions                                                                                                                                                                                                                                                                                                                                                                         | Page                           |
|------------|-------------------------------------------------------------------------------------------------------------------------------------------------------------------|-----------------------------------------|----------------------|----------------------------------------------------------------------------------------------------------------------------------------------------------------------------------------------------------------------------------------------------------------------------------------------------------------------------------------------------------------------------------|--------------------------------|
| Chapter 19 | Soft                                                                                                                                                              | Interrupt/exception processing function | xxICn register       | When manipulating the xxICn.xxMKn bit while interrupt requests may occur (including the state in which interrupts are disabled (DI)), be sure to use a bit manipulation instruction or use the IMRm.xxMKn bit (m = 0 to 3).                                                                                                                                                      | p.815 <input type="checkbox"/> |
|            |                                                                                                                                                                   |                                         | ISPR register        | If an interrupt is acknowledged while the ISPR register is being read in the interrupt enabled (EI) status, the value of the ISPR register after the bits of the register have been set by acknowledging the interrupt may be read. To accurately read the value of the ISPR register before an interrupt is acknowledged, read the register while interrupts are disabled (DI). | p.815 <input type="checkbox"/> |
| Chapter 20 | Soft                                                                                                                                                              | Key interrupt function                  | KRM register         | Rewrite the KRM register after once clearing the KRM register to 00H.                                                                                                                                                                                                                                                                                                            | p.817 <input type="checkbox"/> |
|            | Hard                                                                                                                                                              |                                         | KR0 to KR7 pins      | If a low level is input to any of the KR0 to KR7 pins, the INTKR signal is not generated even if the falling edge of another pin is input.                                                                                                                                                                                                                                       | p.817 <input type="checkbox"/> |
|            | Hard, soft                                                                                                                                                        |                                         | RXDA1 pin<br>KR7 pin | The RXDA1 and KR7 pins must not be used at the same time. To use the RXDA1 pin, do not use the KR7 pin.<br>To use the KR7 pin, do not use the RXDA1 pin (it is recommended to set the PFC91 bit to 1 and clear PFCE91 bit to 0).                                                                                                                                                 | p.817 <input type="checkbox"/> |
|            | Soft                                                                                                                                                              |                                         | KRM register         | If the KRM register is changed, an interrupt request signal (INTKR) may be generated. To prevent this, change the KRM register after disabling interrupts (DI) or masking, then clear the interrupt request flag (KRIC.KRIF bit) to 0, and enable interrupts (EI) or clear the mask.                                                                                             | p.817 <input type="checkbox"/> |
|            | Soft                                                                                                                                                              |                                         | Port pin             | To use the key interrupt function, be sure to set the port pin to the key return pin and then enable the operation with the KRM register. To switch from the key return pin to the port pin, disable the operation with the KRM register and then set the port pin.                                                                                                              | p.817 <input type="checkbox"/> |
| Chapter 21 | Soft                                                                                                                                                              | Standby function                        | PSC register         | Before setting the IDLE1, IDLE2, STOP, or sub-IDLE mode, set the PSMR.PSM1 and PSMR.PSM0 bits and then set the STP bit.                                                                                                                                                                                                                                                          | p.820 <input type="checkbox"/> |
|            |                                                                                                                                                                   |                                         |                      | If there is an unmasked interrupt request signal being held pending when the IDLE1/IDLE2/STOP mode is set, set the bit corresponding to the interrupt request signal (NMI1M, NMI0M, or INTM) to 1, and then set the STP bit to 1.                                                                                                                                                | p.820 <input type="checkbox"/> |
|            |                                                                                                                                                                   |                                         | PSMR register        | Be sure to clear bits 2 to 7 to "0".                                                                                                                                                                                                                                                                                                                                             | p.821 <input type="checkbox"/> |
|            |                                                                                                                                                                   |                                         |                      | The PSM0 and PSM1 bits are valid only when the PSC.STP bit is 1.                                                                                                                                                                                                                                                                                                                 | p.821 <input type="checkbox"/> |
|            |                                                                                                                                                                   |                                         | OSTS register        | Be sure to clear bits 3 to 7 to "0".                                                                                                                                                                                                                                                                                                                                             | p.822 <input type="checkbox"/> |
|            |                                                                                                                                                                   |                                         |                      | The oscillation stabilization time following reset release is $2^{16}/f_x$ (because the initial value of the OSTS register = 06H).                                                                                                                                                                                                                                               | p.822 <input type="checkbox"/> |
|            |                                                                                                                                                                   |                                         | HALT mode            | Insert five or more NOP instructions after the HALT instruction.                                                                                                                                                                                                                                                                                                                 | p.823 <input type="checkbox"/> |
|            |                                                                                                                                                                   |                                         |                      | If the HALT instruction is executed while an unmasked interrupt request signal is being held pending, the status shifts to HALT mode, but the HALT mode is then released immediately by the pending interrupt request.                                                                                                                                                           | p.823 <input type="checkbox"/> |
|            |                                                                                                                                                                   |                                         | IDLE1 mode           | Insert five or more NOP instructions after the instruction that stores data in the PSC register to set the IDLE1 mode.                                                                                                                                                                                                                                                           | p.825 <input type="checkbox"/> |
|            |                                                                                                                                                                   |                                         |                      | If the IDLE1 mode is set while an unmasked interrupt request signal is being held pending, the IDLE1 mode is released immediately by the pending interrupt request.                                                                                                                                                                                                              | p.825 <input type="checkbox"/> |
|            |                                                                                                                                                                   |                                         | IDLE2 mode           | Insert five or more NOP instructions after the instruction that stores data in the PSC register to set the IDLE2 mode.                                                                                                                                                                                                                                                           | p.827 <input type="checkbox"/> |
|            |                                                                                                                                                                   |                                         |                      | If the IDLE2 mode is set while an unmasked interrupt request signal is being held pending, the IDLE2 mode is released immediately by the pending interrupt request.                                                                                                                                                                                                              | p.827 <input type="checkbox"/> |
| STOP mode  | Insert five or more NOP instructions after the instruction that stores data in the PSC register to set the STOP mode.                                             | p.830 <input type="checkbox"/>          |                      |                                                                                                                                                                                                                                                                                                                                                                                  |                                |
|            | If the STOP mode is set while an unmasked interrupt request signal is being held pending, the STOP mode is released immediately by the pending interrupt request. | p.830 <input type="checkbox"/>          |                      |                                                                                                                                                                                                                                                                                                                                                                                  |                                |

| Chapter    | Classification | Function                | Details of Function                       | Caution                                                                                                                                                                                                                                                                                       | Page                           |
|------------|----------------|-------------------------|-------------------------------------------|-----------------------------------------------------------------------------------------------------------------------------------------------------------------------------------------------------------------------------------------------------------------------------------------------|--------------------------------|
| Chapter 21 | Soft           | Standby function        | Subclock operation mode                   | When manipulating the CK3 bit, do not change the set values of the PCC.CK2 to PCC.CK0 bits (using a bit manipulation instruction to manipulate the bit is recommended). For details of the PCC register, see 6.3 (1) Processor clock control register (PCC).                                  | p.834 <input type="checkbox"/> |
|            |                |                         |                                           | If the following conditions are not satisfied, change the CK2 to CK0 bits so that the conditions are satisfied and set the subclock operation mode.<br>Internal system clock ( $f_{CLK}$ ) > Subclock ( $f_{XT} = 32.768 \text{ kHz}$ ) $\times$ 4                                            | p.834 <input type="checkbox"/> |
|            |                |                         |                                           | When manipulating the CK3 bit, do not change the set values of the CK2 to CK0 bits (using a bit manipulation instruction to manipulate the bit is recommended). For details of the PCC register, see 6.3 (1) Processor clock control register (PCC).                                          | p.834 <input type="checkbox"/> |
|            |                |                         |                                           | When the CPU is operating on the subclock and main clock oscillation is stopped, accessing a register in which a wait occurs is disabled. If a wait is generated, it can be released only by reset (see 3.4.9 (2)).                                                                           | p.835 <input type="checkbox"/> |
|            |                |                         | Sub IDLE mode                             | Following the store instruction to set the PSC register to the sub-IDLE mode, insert the five or more NOP instructions.                                                                                                                                                                       | p.836 <input type="checkbox"/> |
|            |                |                         |                                           | If the sub-IDLE mode is set while an unmasked interrupt request signal is being held pending, the sub-IDLE mode is then released immediately by the pending interrupt request.                                                                                                                | p.836 <input type="checkbox"/> |
|            |                |                         |                                           | When the sub-IDLE mode is released, 12 cycles of the subclock (about 366 $\mu$ s) elapse from when the interrupt request signal that releases the sub-IDLE mode is generated to when the mode is released.                                                                                    | p.836 <input type="checkbox"/> |
| Chapter 22 | Soft           | Reset function          | Emergency operation mode                  | When the CPU operates on the internal oscillation clock, access to the register in which await state is generated is prohibited. For the register in which a wait state is generated, see 3.4.9 (2) Accessing specific on-chip peripheral I/O registers.                                      | p.838 <input type="checkbox"/> |
|            |                |                         | Reset operation via RESET pin             | The OCDM register is initialized by the RESET pin input. Therefore, if a high level is input to the P05/INTP2 pin after a reset release before the OCDM.OCDM0 bit is cleared, the pull-down resistor connected to the P05/INTP2 pin is controlled. For details, see CHAPTER 4 PORT FUNCTIONS. | p.840 <input type="checkbox"/> |
|            |                |                         | PEMU1 register                            | This bit is not automatically cleared.                                                                                                                                                                                                                                                        | p.850 <input type="checkbox"/> |
| Chapter 23 | Soft           | Clock monitor           | CLM register                              | Once the CLME bit has been set to 1, it cannot be cleared to 0 by any means other than reset.                                                                                                                                                                                                 | p.852 <input type="checkbox"/> |
| Chapter 24 | Hard           | Regulator               | Regulator                                 | Use the regulator with a setting of $V_{DD} = EV_{DD} = AV_{REF0} = AV_{REF1} \geq BV_{DD}$ .                                                                                                                                                                                                 | p.856 <input type="checkbox"/> |
| Chapter 25 | Soft           | ROM correction function | ROM correction operation and program flow | The software that performs <3> and <4> must be executed in the internal ROM/RAM.                                                                                                                                                                                                              | p.860 <input type="checkbox"/> |
|            |                |                         | CORADn register                           | When setting an address to be corrected in the CORADn register, clear the higher bits to 0 in accordance with the capacity of the internal ROM.                                                                                                                                               | p.862 <input type="checkbox"/> |
|            |                |                         | ROM correction function                   | The ROM correction function cannot be used to correct data in the internal ROM. It can only be used to correct instruction codes. If ROM correction is used to correct data, that data is replaced with a DBTRAP instruction code.                                                            | p.862 <input type="checkbox"/> |
|            |                |                         | ROM code                                  | ROM correction is not performed in regards to the ROM code before writing in the CORCNn register ends.                                                                                                                                                                                        | p.862 <input type="checkbox"/> |

| Chapter    | Classification | Function                 | Details of Function                   | Cautions                                                                                                                                                                                                                                                                                                                                                                                                                                                                                                                                                                                                                                                                                        | Page                           |
|------------|----------------|--------------------------|---------------------------------------|-------------------------------------------------------------------------------------------------------------------------------------------------------------------------------------------------------------------------------------------------------------------------------------------------------------------------------------------------------------------------------------------------------------------------------------------------------------------------------------------------------------------------------------------------------------------------------------------------------------------------------------------------------------------------------------------------|--------------------------------|
| Chapter 25 | Soft           | ROM correction function  | DBTRAPP instruction                   | After executing a DBTRAP instruction, the PSW.NP, EP, and DI bits are set to 111, and interrupt/exception cannot be acknowledged. After executing a DBTRAP instruction, change the PSW register value as required.                                                                                                                                                                                                                                                                                                                                                                                                                                                                              | p.862 <input type="checkbox"/> |
|            |                |                          | DBPC, DBPSW registers                 | The DBPC and DBPSW registers can be accessed while DBTRAP instructions are being executed.                                                                                                                                                                                                                                                                                                                                                                                                                                                                                                                                                                                                      | p.862 <input type="checkbox"/> |
|            |                |                          | Correction address                    | If the addresses of the instructions executed immediately after the CORCNn register setting (enabled) are set as the correction addresses, normal operation may not be obtained (DBTRAP is not generated).                                                                                                                                                                                                                                                                                                                                                                                                                                                                                      | p.862 <input type="checkbox"/> |
| Chapter 26 | Hard           | Electrical specification | Absolute maximum ratings              | Do not directly connect the output (or I/O) pins of IC products to each other, or to V <sub>DD</sub> , V <sub>CC</sub> , and GND. Open-drain pins or open-collector pins, however, can be directly connected to each other.<br>Direct connection of the output pins between an IC product and an external circuit is possible, if the output pins can be set to the high-impedance state and the output timing of the external circuit is designed to avoid output conflict.                                                                                                                                                                                                                    | p.864 <input type="checkbox"/> |
|            |                |                          |                                       | Product quality may suffer if the absolute maximum rating is exceeded even momentarily for any parameter. That is, the absolute maximum ratings are rated values at which the product is on the verge of suffering physical damage, and therefore the product must be used under conditions that ensure that the absolute maximum ratings are not exceeded. The ratings and conditions indicated for DC characteristics and AC characteristics represent the quality assurance range during normal operation.                                                                                                                                                                                   | p.864 <input type="checkbox"/> |
|            |                |                          | Main clock oscillator characteristics | When using the main clock oscillator, wire as follows in the area enclosed by the broken lines in the above figure to avoid an adverse effect from wiring capacitance. <ul style="list-style-type: none"> <li>Keep the wiring length as short as possible.</li> <li>Do not cross the wiring with the other signal lines.</li> <li>Do not route the wiring near a signal line through which a high fluctuating current flows.</li> <li>Always make the ground point of the oscillator capacitor the same potential as V<sub>SS</sub>.</li> <li>Do not ground the capacitor to a ground pattern through which a high current flows.</li> <li>Do not fetch signals from the oscillator.</li> </ul> | p.866 <input type="checkbox"/> |
|            |                |                          |                                       | When the main clock is stopped and the device is operating on the subclock, wait until the oscillation stabilization time has been secured by the program before switching back to the main clock.                                                                                                                                                                                                                                                                                                                                                                                                                                                                                              | p.866 <input type="checkbox"/> |
|            |                |                          |                                       | This oscillator constant is a reference value based on evaluation under a specific environment by the resonator manufacturer. If optimization of oscillator characteristics is necessary in the actual application, apply to the resonator manufacturer for evaluation on the implementation circuit.<br>The oscillation voltage and oscillation frequency indicate only oscillator characteristics. Use the V850ES/SG1 so that the internal operating conditions are within the specifications of the DC and AC characteristics.                                                                                                                                                               | p.867 <input type="checkbox"/> |
|            |                |                          | Subclock oscillator characteristics   | When using the subclock oscillator, wire as follows in the area enclosed by the broken lines in the above figures to avoid an adverse effect from wiring capacitance. <ul style="list-style-type: none"> <li>Keep the wiring length as short as possible.</li> <li>Do not cross the wiring with the other signal lines.</li> <li>Do not route the wiring near a signal line through which a high fluctuating current flows.</li> <li>Always make the ground point of the oscillator capacitor the same potential as V<sub>SS</sub>.</li> <li>Do not ground the capacitor to a ground pattern through which a high current flows.</li> <li>Do not fetch signals from the oscillator.</li> </ul>  | p.869 <input type="checkbox"/> |

| Chapter    | Classification | Function                        | Details of Function                 | Cautions                                                                                                                                                                                                                                                             | Page                           |
|------------|----------------|---------------------------------|-------------------------------------|----------------------------------------------------------------------------------------------------------------------------------------------------------------------------------------------------------------------------------------------------------------------|--------------------------------|
| Chapter 26 | Hard           | Electrical specification        | Subclock oscillator characteristics | The subclock oscillator is designed as a low-amplitude circuit for reducing power consumption, and is more prone to malfunction due to noise than the main clock oscillator. Particular care is therefore required with the wiring method when the subclock is used. | p.869 <input type="checkbox"/> |
|            |                |                                 |                                     | For the resonator selection and oscillator constant, customers are requested to either evaluate the oscillation themselves or apply to the resonator manufacturer for evaluation.                                                                                    | p.869 <input type="checkbox"/> |
|            |                |                                 | Data retention characteristics      | Shifting to STOP mode and restoring from STOP mode must be performed within the rated operating range.                                                                                                                                                               | p.874 <input type="checkbox"/> |
|            |                |                                 | AC characteristics                  | If the load capacitance exceeds 50 pF due to the circuit configuration, bring the load capacitance of the device to 50 pF or less by inserting a buffer or by some other means.                                                                                      | p.875 <input type="checkbox"/> |
|            | Soft           |                                 | A/D converter                       | Do not set (read/write) alternate-function ports during A/D conversion; otherwise the conversion resolution may be degraded.                                                                                                                                         | p.896 <input type="checkbox"/> |
| Chapter 28 | Hard           | Recommended soldering condition | Recommended soldering conditions    | Do not use different soldering methods together (except for partial heating).                                                                                                                                                                                        | p.900 <input type="checkbox"/> |
| Appendix A | Soft           | Development tool                | Control software                    | PM+ is included in the C compiler package CA850.<br>It can only be used in Windows.                                                                                                                                                                                  | p.906 <input type="checkbox"/> |
|            |                |                                 | Embedded software                   | To purchase the RX850 or RX850 Pro, first fill in the purchase application form and sign the user agreement.                                                                                                                                                         | p.915 <input type="checkbox"/> |

## F.1 Major Revisions in This Edition

(1/8)

| Page                | Description                                                                                                                                                                                      |
|---------------------|--------------------------------------------------------------------------------------------------------------------------------------------------------------------------------------------------|
| Throughout          | <ul style="list-style-type: none"> <li>• All products are changed to lead-free products.</li> <li>• Addition of <math>\mu</math>PD703253Y</li> <li>• Change of number of TMP channels</li> </ul> |
| p. 20               | Addition of description to <b>1.1 General</b>                                                                                                                                                    |
| p. 22               | Addition of description to <b>1.2 Features</b>                                                                                                                                                   |
| pp. 24, 25          | Addition of <b>Note</b> to <b>1.5 Pin Configuration (Top View)</b>                                                                                                                               |
| pp. 30 to 32        | Addition of description to <b>1.6.2 Internal units</b>                                                                                                                                           |
| pp. 33 to 35        | Addition of description to <b>2.1 (1) Port pins</b>                                                                                                                                              |
| pp. 37 to 41        | Addition of description to <b>2.1 (2) Non-port pins</b>                                                                                                                                          |
| p. 42               | Modification of description in <b>Table 2-2 Pin Operation States in Various Modes</b>                                                                                                            |
| pp. 43, 44          | Modification of description in <b>2.3 Pin I/O Circuit Types, I/O Buffer Power Supplies, and Connection of Unused Pins</b>                                                                        |
| p. 46               | Addition of description to <b>Figure 2-1 Pin I/O Circuits</b>                                                                                                                                    |
| p. 47               | Modification of description in <b>2.4 Cautions</b>                                                                                                                                               |
| p. 51               | Addition of <b>Note 2</b> to <b>Table 3-2 System Register Numbers</b>                                                                                                                            |
| p. 56               | Addition of description to <b>3.2.2 (6) Exception/debug trap status saving registers (DBPC and DBPSW)</b>                                                                                        |
| p. 58               | Addition of description to <b>Figure 3-1 Image on Address Space</b>                                                                                                                              |
| p. 60               | Addition of description to <b>Figure 3-2 Data Memory Map (Physical Addresses)</b>                                                                                                                |
| p. 62               | Addition of <b>3.4.4 (1) (a) Internal ROM (128 KB)</b>                                                                                                                                           |
| p. 63               | Addition of <b>3.4.4 (2) (a) Internal RAM (8 KB)</b>                                                                                                                                             |
| p. 64               | Addition of <b>Note 4</b> to <b>3.4.4 (3) On-chip peripheral I/O area</b>                                                                                                                        |
| p. 65               | Addition of <b>3.4.4 (4) Programmable peripheral I/O area</b>                                                                                                                                    |
| p. 65               | Modification of description in <b>3.4.4 (5) External memory area</b>                                                                                                                             |
| p. 66               | Addition of description to <b>3.4.5 (1) Program space</b>                                                                                                                                        |
| p. 68               | Addition of description to <b>Figure 3-10 Recommended Memory Map</b>                                                                                                                             |
| pp 69 to 72, 75, 76 | Addition of <b>Note</b> to <b>3.4.6 Peripheral I/O registers</b>                                                                                                                                 |
| p. 79               | Addition of <b>3.4.7 Programmable peripheral I/O registers</b>                                                                                                                                   |
| p. 80               | Modification of description in <b>3.4.8 Special registers</b>                                                                                                                                    |
| p. 81               | Addition of description to <b>3.4.8 (1) Setting data to special registers</b>                                                                                                                    |
| p. 83               | Modification of description in <b>3.4.8 (3) (a) Set condition (PRERR flag = 1)</b>                                                                                                               |
| pp. 85, 86          | Modification of description in <b>3.4.9 (2) Accessing specific on-chip peripheral I/O registers</b>                                                                                              |
| p. 87               | Modification of description in <b>3.4.9 (3) System reserved area</b>                                                                                                                             |
| p. 95               | Addition of description of <b>Note</b> to <b>Table 4-4 Port 0 Alternate-Function Pins</b>                                                                                                        |
| p. 97               | Addition of <b>Caution</b> in <b>4.3.1 (5) Port 0 function register (PF0)</b>                                                                                                                    |
| p. 98               | Modification of description in <b>Table 4-5 Port 1 Alternate-Function Pins</b>                                                                                                                   |
| p. 98               | Addition of <b>Caution</b> to <b>4.3.2 (1) Port 1 register (P1)</b>                                                                                                                              |
| p. 99               | Addition of <b>Caution</b> to <b>4.3.2 (2) Port 1 mode register (PM1)</b>                                                                                                                        |

| Page         | Description                                                                                     |
|--------------|-------------------------------------------------------------------------------------------------|
| p. 100       | Modification of description in <b>Table 4-6 Port 3 Alternate-Function Pins</b>                  |
| p. 102       | Addition of description to <b>4.3.3 (1) Port 3 mode control register (PMC3)</b>                 |
| p. 104       | Modification of description in <b>4.3.3 (6) Port 3 alternate function specifications</b>        |
| p. 105       | Addition of <b>Caution</b> to <b>4.3.3 (7) Port 3 function register (PF3)</b>                   |
| p. 106       | Modification of description in <b>Table 4-7 Port 4 Alternate-Function Pins</b>                  |
| p. 108       | Addition of <b>Caution</b> in <b>4.3.4 (5) Port 4 function register (PF4)</b>                   |
| p. 109       | Modification of description in <b>Table 4-8 Port 5 Alternate-Function Pins</b>                  |
| p. 112       | Addition of <b>Caution</b> to <b>4.3.5 (7) Port 5 function register (PF5)</b>                   |
| p. 114       | Modification of description in <b>4.3.6 (1) Port 7 register H, port 7 register L (P7H, P7L)</b> |
| p. 115       | Modification of description in <b>Table 4-10 Port 9 Alternate-Function Pins</b>                 |
| pp. 117, 118 | Modification of description in <b>4.3.7 (3) Port 9 mode control register (PMC9)</b>             |
| p. 119       | Modification of <b>Caution</b> to <b>4.3.7 (4) Port 9 function control register (PFC9)</b>      |
| p. 120       | Modification of description in <b>4.3.7 (6) Port 9 alternate function specifications</b>        |
| p. 122       | Addition of <b>Caution</b> in <b>4.3.7 (7) Port 9 function register (PF9)</b>                   |
| p. 133       | Addition of <b>Figure 4-4 Block Diagram of Type A-2</b>                                         |
| p. 135       | Modification of <b>Figure 4-7 Block Diagram of Type D-2</b>                                     |
| p. 137       | Modification of <b>Figure 4-9 Block Diagram of Type E-3</b>                                     |
| p. 138       | Addition of <b>Figure 4-10 Block Diagram of Type G-1</b>                                        |
| p. 139       | Modification of <b>Figure 4-11 Block Diagram of Type G-2</b>                                    |
| p. 140       | Modification of <b>Figure 4-12 Block Diagram of Type G-3</b>                                    |
| p. 141       | Modification of <b>Figure 4-13 Block Diagram of Type G-5</b>                                    |
| p. 142       | Modification of <b>Figure 4-14 Block Diagram of Type G-6</b>                                    |
| p. 143       | Modification of <b>Figure 4-15 Block Diagram of Type G-7</b>                                    |
| p. 144       | Modification of <b>Figure 4-16 Block Diagram of Type G-8</b>                                    |
| p. 146       | Modification of <b>Figure 4-18 Block Diagram of Type G-10</b>                                   |
| p. 147       | Modification of <b>Figure 4-19 Block Diagram of Type G-11</b>                                   |
| p. 148       | Addition of <b>Figure 4-20 Block Diagram of Type G-12</b>                                       |
| p. 149       | Addition of <b>Figure 4-21 Block Diagram of Type G-14</b>                                       |
| p. 152       | Modification of <b>Figure 4-24 Block Diagram of Type N-2</b>                                    |
| p. 154       | Modification of <b>Figure 4-26 Block Diagram of Type U-12</b>                                   |
| p. 155       | Modification of <b>Figure 4-27 Block Diagram of Type U-13</b>                                   |
| p. 156       | Modification of <b>Figure 4-28 Block Diagram of Type U-14</b>                                   |
| p. 157       | Addition of <b>Figure 4-29 Block Diagram of Type U-15</b>                                       |
| p. 158       | Modification of <b>Figure 4-30 Block Diagram of Type U-16</b>                                   |
| p. 159       | Modification of <b>Figure 4-31 Block Diagram of Type U-20</b>                                   |
| p. 160       | Modification of <b>Figure 4-32 Block Diagram of Type U-21</b>                                   |
| p. 161       | Modification of <b>Figure 4-33 Block Diagram of Type U-22</b>                                   |
| p. 162       | Modification of <b>Figure 4-34 Block Diagram of Type U-23</b>                                   |
| p. 163       | Modification of <b>Figure 4-35 Block Diagram of Type U-24</b>                                   |
| p. 164       | Modification of <b>Figure 4-36 Block Diagram of Type U-25</b>                                   |
| p. 165       | Modification of <b>Figure 4-37 Block Diagram of Type U-26</b>                                   |

| Page           | Description                                                                                                                                       |
|----------------|---------------------------------------------------------------------------------------------------------------------------------------------------|
| p. 166         | Modification of <b>Figure 4-38 Block Diagram of Type U-27</b>                                                                                     |
| p. 167         | Modification of <b>Figure 4-39 Block Diagram of Type AA-1</b>                                                                                     |
| pp. 169 to 173 | Modification of description in <b>Table 4-15 Using Port Pin as Alternate-Function Pin</b>                                                         |
| p. 179         | Addition of description to <b>4.6.3 Cautions on on-chip debug pins</b>                                                                            |
| p. 180         | Modification of description in <b>4.6.4 Cautions on P10, P11, and P53 pins when power is turned on</b>                                            |
| p. 180         | Modification of description in <b>4.6.5 Hysteresis characteristics</b>                                                                            |
| p. 180         | Addition of <b>4.6.6 Cautions on separate bus mode</b>                                                                                            |
| p. 181         | Deletion of description in <b>5.1 Features</b>                                                                                                    |
| p. 183         | Addition of description to <b>Figure 5-1 Data Memory Map: Physical Address</b>                                                                    |
| p. 200         | Addition of description to <b>5.9 Bus Priority</b>                                                                                                |
| p. 208         | Addition of description to <b>Figure 6-1 Clock Generator</b>                                                                                      |
| p. 209         | Addition of description to <b>6.2 (5) Prescaler 1</b>                                                                                             |
| p. 212         | Addition of description to <b>6.3 (1) (a) Example of setting main clock operation → subclock operation</b>                                        |
| p. 213         | Addition of description to <b>6.3 (1) (b) Example of setting subclock operation → main clock operation</b>                                        |
| p. 214         | Addition of <b>Note</b> to <b>6.3 (3) CPU operation clock status register (CCLS)</b>                                                              |
| p. 216         | Addition of <b>Caution</b> to <b>6.5.2 (1) PLL control register (PLLCTL)</b>                                                                      |
| p. 220         | Addition of description to <b>6.5.3 (1) (b) When transiting to the IDLE2 or STOP mode while remaining in the PLL operation mode</b>               |
| p. 221         | Addition of description to <b>7.1 Overview</b>                                                                                                    |
| p. 225         | Modification of description in <b>7.4 (1) TMPn control register 0 (TPnCTL0)</b>                                                                   |
| p. 226         | Addition of description to <b>7.4 (2) TMPn control register 1 (TPnCTL1)</b>                                                                       |
| p. 228         | Addition of <b>Note</b> and <b>Caution</b> to <b>7.4 (3) TMPn I/O control register 0 (TPnIOC0)</b>                                                |
| p. 229         | Modification of description to <b>7.4 (4) TMPn I/O control register 1 (TPnIOC1)</b>                                                               |
| p. 230         | Addition of <b>Note</b> to <b>7.4 (5) TMPn I/O control register 2 (TPnIOC2)</b>                                                                   |
| p. 231         | Addition of description to <b>7.4 (6) TMPn option register 0 (TPnOPT0)</b>                                                                        |
| p. 232         | Addition of <b>Note</b> to <b>7.4 (7) TMPn capture/compare register 0 (TPnCCR0)</b>                                                               |
| p. 233         | Addition of description to <b>7.4 (7) (a) Function as compare register</b>                                                                        |
| p. 233         | Addition of description to <b>7.4 (7) (b) Function as capture register</b>                                                                        |
| p. 233         | Addition of <b>Note</b> and <b>Remark</b> to <b>Table 7-2 Function of Capture/Compare Register in Each Mode and How to Write Compare Register</b> |
| p. 234         | Addition of <b>Note</b> to <b>7.4 (8) TMPn capture/compare register 1 (TPnCCR1)</b>                                                               |
| p. 235         | Addition of description in <b>7.4 (8) (a) Function as compare register</b>                                                                        |
| p. 235         | Addition of description in <b>7.4 (8) (b) Function as capture register</b>                                                                        |
| p. 235         | Addition of <b>Note</b> and <b>Remark</b> in <b>Table 7-3 Function of Capture/Compare Register in Each Mode and How to Write Compare Register</b> |
| p. 236         | Addition of <b>Note</b> to <b>7.4 (9) TMPn counter read buffer register (TPnCNT)</b>                                                              |
| p. 237         | Modification of description in <b>Table 7-4 Timer Output Control in Each Mode</b>                                                                 |
| p. 239         | Addition of <b>7.6 (1) Counter basic operation</b>                                                                                                |
| p. 240         | Addition of <b>7.6 (2) Anytime write and batch write</b>                                                                                          |
| p. 245         | Modification of description in <b>7.6.1 Interval timer mode (TPnMD2 to TPnMD0 bits = 000)</b>                                                     |
| pp. 246 to 248 | Modification of description in <b>Figure 7-8 Register Setting for Interval Timer Mode Operation</b>                                               |
| p. 249         | Addition of description to <b>Figure 7-9 Software Processing Flow in Interval Timer Mode</b>                                                      |



| Page           | Description                                                                                                                      |
|----------------|----------------------------------------------------------------------------------------------------------------------------------|
| p. 250         | Modification of description and Figure in <b>7.6.1 (2) (a) Operation if TPnCCR0 register is set to 0000H</b>                     |
| pp. 254, 255   | Addition of description to <b>7.6.1 (2) (d) Operation of TPnCCR1 register</b>                                                    |
| p. 256         | Addition of <b>7.6.1 (3) Operation by external event count input (TIPn0)</b>                                                     |
| p. 257, 259    | Modification of description in <b>7.6.2 External event count mode (TPnMD2 to TPnMD0 bits = 001)</b>                              |
| p. 258         | Modification of description in <b>Figure 7-14 Basic Timing in External Event Count Mode</b>                                      |
| p. 260         | Modification of description in <b>Figure 7-15 Register Setting for Operation in External Event Count Mode</b>                    |
| p. 262         | Modification of description in <b>7.6.2 (2) (a) Operation if TPnCCR0 register is set to FFFFH</b>                                |
| p. 263         | Modification of description in <b>7.6.2 (2) (b) Notes on rewriting the TPnCCR0 register</b>                                      |
| p. 264         | Addition of description in <b>7.6.2 (2) (c) Operation of TPnCCR1 register</b>                                                    |
| p. 266         | Addition of <b>Note</b> and <b>Caution</b> in <b>Figure 7-20 Configuration in External Trigger Pulse Output Mode</b>             |
| pp. 268, 269   | Modification of description in <b>Figure 7-22 Setting of Registers in External Trigger Pulse Output Mode</b>                     |
| p. 274         | Modification of description in <b>7.6.3 (2) (b) 0%/100% output of PWM waveform</b>                                               |
| p. 278         | Addition of <b>Note</b> and <b>Caution</b> to <b>Figure 7-24 Configuration in One-Shot Pulse Output Mode</b>                     |
| p. 279         | Modification of description in <b>7.6.4 One-shot pulse output mode (TPnMD2 to TPnMD0 bits = 011)</b>                             |
| pp. 280, 281   | Modification of description in <b>Figure 7-26 Setting of Registers in One-Shot Pulse Output Mode</b>                             |
| p. 285         | Modification of <b>Figure 7-28 Configuration in PWM Output Mode</b>                                                              |
| p. 292         | Modification of description in <b>7.6.5 (2) (b) 0%/100% output of PWM waveform</b>                                               |
| p. 294         | Addition of <b>Note</b> to <b>Figure 7-32 Configuration in Free-Running Timer Mode</b>                                           |
| p. 298         | Addition of <b>Note</b> to <b>Figure 7-35 Register Setting in Free-Running Timer Mode</b>                                        |
| p. 311         | Addition of <b>7.6.6 (3) Note on capture operation</b>                                                                           |
| p. 312         | Modification of <b>Figure</b> and addition of <b>Caution</b> to <b>Figure 7-38 Configuration in Pulse Width Measurement Mode</b> |
| pp. 314, 315   | Modification of description in <b>Figure 7-40 Register Setting in Pulse Width Measurement Mode</b>                               |
| p. 316         | Deletion of description in <b>Figure 7-41 Software Processing Flow in Pulse Width Measurement Mode</b>                           |
| p. 317         | Addition of <b>7.6.7 (3) Notes</b>                                                                                               |
| p. 322         | Modification of <b>Figure 8-3 Basic Timing of Operation in Interval Timer Mode</b>                                               |
| p. 325         | Modification of <b>8.4.1 (2) (a) Operation if TM0CMP0 register is set to 0000H</b>                                               |
| p. 325         | Modification of <b>8.4.1 (2) (b) Operation if TM0CMP0 register is set to N</b>                                                   |
| p. 326         | Addition of <b>8.4.2 (3)</b>                                                                                                     |
| p. 339         | Addition of <b>Caution 4</b> to <b>10.3 (1) Watchdog timer mode register 2 (WDTM2)</b>                                           |
| p. 341         | Addition of <b>Caution 3</b> to <b>10.3 (2) Watchdog timer enable register (WDTE)</b>                                            |
| p. 348         | Modification of description in <b>11.4 (1) A/D converter mode register 0 (ADA0M0)</b>                                            |
| pp. 349 to 351 | Addition of <b>Caution</b> and deletion of <b>11.4 (2) A/D converter mode register 1 (ADA0M1)</b>                                |
| p. 350         | Modification of description in <b>Table 11-2 Conversion Time Selection in Normal Conversion Mode (ADA0HS1 Bit = 0)</b>           |
| p. 351         | Modification of description in <b>Table 11-3 Conversion Time Selection in High-Speed Conversion Mode (ADA0HS1 Bit = 1)</b>       |
| p. 352         | Addition of <b>Caution</b> to <b>11.4 (3) A/D converter mode register 2 (ADA0M2)</b>                                             |
| p. 353         | Addition of <b>Caution</b> to <b>11.4 (4) Analog input channel specification register (ADA0S)</b>                                |
| p. 356         | Addition of <b>Caution 3</b> to <b>11.4 (6) Power-fail compare mode register (ADA0PFM)</b>                                       |
| p. 357         | Addition of <b>Caution</b> to <b>11.4 (7) Power-fail compare threshold value register (ADA0PFT)</b>                              |
| p. 358         | Addition of <b>Remark</b> to <b>11.5.1 Basic operation</b>                                                                       |

| Page         | Description                                                                                                             |
|--------------|-------------------------------------------------------------------------------------------------------------------------|
| p. 359       | Modification of description in <b>Figure 11-3 Conversion Operation Timing (Continuous Conversion)</b>                   |
| p. 360       | Addition of description to <b>11.5.3 (1) Software trigger mode</b>                                                      |
| p. 360       | Addition of description to <b>11.5.3 (2) External trigger mode</b>                                                      |
| p. 361       | Addition of description to <b>11.5.3 (3) Timer trigger mode</b>                                                         |
| p. 372       | Modification of description in <b>11.6 (4) Alternate I/O</b>                                                            |
| p. 373       | Modification of description in <b>Figure 11-14 Internal Equivalent Circuit of ANIn Pin</b>                              |
| p. 374       | Modification of description in <b>11.6 (8) Reading ADA0CRn register</b>                                                 |
| p. 375       | Modification of description in <b>11.6 (10) Restriction for each mode</b>                                               |
| p. 380       | Addition of <b>CHAPTER 12 D/A CONVERTER</b>                                                                             |
| p. 386       | Modification of <b>Figure 13-1 Block Diagram of Asynchronous Serial Interface An</b>                                    |
| p. 389       | Modification of description in <b>13.3 (1) UARTAn control register 0 (UAnCTL0)</b>                                      |
| p. 390       | Addition of description to <b>13.3 (4) UARTAn option control register 0 (UAnOPT0)</b>                                   |
| p. 391       | Addition of <b>Caution</b> to <b>13.3 (5) UARTAn status register (UAnSTR)</b>                                           |
| p. 393       | Addition of description to <b>13.3 (6) UARTAn receive data register (UAnRX)</b>                                         |
| p. 393       | Addition of description to <b>13.3 (7) UARTAn transmit data register (UAnTX)</b>                                        |
| p. 396       | Modification of description in <b>Figure 13-2 UARTA Transmit/Receive Data Format</b>                                    |
| p. 399       | Modification of <b>Figure 13-5 Continuous Transmission Operation Timing</b>                                             |
| p. 405       | Addition of <b>Caution</b> to <b>Figure 13-9 Configuration of Baud Rate Generator</b>                                   |
| p. 405       | Addition of description to <b>13.6 (1) (a) Baud rate generator configuration</b>                                        |
| p. 413       | Addition of description to <b>13.7 Cautions</b>                                                                         |
| pp. 418, 420 | Addition of <b>Caution, Note</b> , and description of <b>Note</b> to <b>14.4 (1) CSIBn control register 0 (CBnCTL0)</b> |
| p. 421       | Addition of <b>14.4 (1) (a) How to use CBnSCE bit</b>                                                                   |
| p. 422       | Addition of <b>Note</b> to <b>14.4 (2) CSIBn control register 1 (CBnCTL1)</b>                                           |
| p. 425       | Addition of <b>Caution</b> to <b>14.4 (4) CSIBn status register (CBnSTR)</b>                                            |
| p. 426       | Addition of <b>14.5 Interrupt Request Signals</b>                                                                       |
| p. 427       | Addition of <b>14.6.1 Single transfer mode (master mode, transmission mode)</b>                                         |
| p. 429       | Modification of description in <b>14.6.2 Single transfer mode (master mode, reception mode)</b>                         |
| p. 431       | Modification of description in <b>14.6.3 Single transfer mode (master mode, transmission/reception mode)</b>            |
| p. 433       | Addition of <b>14.6.4 Single transfer mode (slave mode, transmission mode)</b>                                          |
| p. 435       | Addition of <b>14.6.5 Single transfer mode (slave mode, reception mode)</b>                                             |
| p. 437       | Addition of <b>14.6.6 Single transfer mode (slave mode, transmission/reception mode)</b>                                |
| p. 439       | Addition of <b>14.6.7 Continuous transfer mode (master mode, transmission mode)</b>                                     |
| p. 441       | Modification of description in <b>14.6.8 Continuous transfer mode (master mode, reception mode)</b>                     |
| p. 444       | Modification of description in <b>14.6.9 Continuous transfer mode (master mode, transmission/reception mode)</b>        |
| p. 448       | Addition of <b>14.6.10 Continuous transfer mode (slave mode, transmission mode)</b>                                     |
| p. 450       | Modification of description in <b>14.6.11 Continuous transfer mode (slave mode, reception mode)</b>                     |
| p. 453       | Modification of description in <b>14.6.12 Continuous transfer mode (slave mode, transmission/reception mode)</b>        |
| p. 457       | Modification of description in <b>14.6.13 Reception error</b>                                                           |
| pp. 458, 459 | Modification of description in <b>14.6.14 Clock timing</b>                                                              |
| p. 462       | Addition of <b>Caution</b> to <b>14.8.1 Baud rate generation</b>                                                        |

| Page           | Description                                                                                                                                                 |
|----------------|-------------------------------------------------------------------------------------------------------------------------------------------------------------|
| p. 463         | Addition of description to <b>14.9 Cautions</b>                                                                                                             |
| p. 470         | Deletion of description in <b>15.4 (1) IIC control registers 0, 1 (IICC0, IICC1)</b>                                                                        |
| p. 491         | Modification of description in <b>15.6.6 Wait state</b>                                                                                                     |
| p. 493         | Addition of <b>Note</b> to <b>15.6.7 Wait state cancellation method</b>                                                                                     |
| p. 495         | Addition of <b>Note</b> to <b>15.7.1 (1) Start ~ Address ~ Data ~ Data ~ Stop (normal transmission/reception)</b>                                           |
| p. 496         | Addition of <b>Note</b> and deletion of description in <b>15.7.2 (2) Start ~ Address ~ Data ~ Start ~ Address ~ Data ~ Stop (restart)</b>                   |
| p. 497         | Addition of <b>Note</b> to <b>15.7.1 (3) Start ~ Code ~ Data ~ Data ~ Stop (extension code transmission)</b>                                                |
| p. 501         | Modification of description in <b>15.7.2 (4) Start ~ Address ~ Data ~ Start ~ Address ~ Data ~ Stop</b>                                                     |
| p. 502         | Addition of description to <b>15.7.3 Slave device operation (when receiving extension code)</b>                                                             |
| p. 505         | Modification of description in <b>15.7.3 (4) Start ~ Code ~ Data ~ Start ~ Address ~ Data ~ Stop</b>                                                        |
| p. 507         | Addition of description to <b>15.7.5 Arbitration loss operation (operation as slave after arbitration loss)</b>                                             |
| p. 509         | Addition of description to <b>15.7.6 Operation when arbitration loss occurs (no communication after arbitration loss)</b>                                   |
| p. 513         | Modification of description in <b>15.7.6 (6) When arbitration loss occurs due to low level of SDA0n pin when attempting to generate a restart condition</b> |
| p. 515         | Modification of description in <b>15.7.6 (8) When arbitration loss occurs due to low level of SDA0n pin when attempting to generate a stop condition</b>    |
| p. 518         | Addition of description to <b>15.11 Extension Code</b>                                                                                                      |
| p. 521         | Modification of description in <b>15.14.1 When communication reservation function is enabled (IICFn.IICRSVn bit = 0)</b>                                    |
| p. 523         | Modification of <b>Figure 15-13 Communication Reservation Timing</b>                                                                                        |
| p. 525         | Modification of description in <b>Table 15-7 Wait Periods</b>                                                                                               |
| pp. 527 to 531 | Modification of description in <b>15.16 Communication Operations</b>                                                                                        |
| p. 534         | Modification of <b>Figure 15-19 Slave Operation Flowchart (1)</b>                                                                                           |
| p. 535         | Modification of <b>Figure 15-20 Slave Operation Flowchart (2)</b>                                                                                           |
| pp. 537 to 539 | Modification of <b>Figure 15-21 Example of Master to Slave Communication (When 9-Clock Wait Is Selected for Both Master and Slave)</b>                      |
| pp. 540 to 542 | Modification of <b>Figure 15-22 Example of Slave to Master Communication (When 9-Clock Wait for Master and 8-Clock Wait for Slave Are Selected)</b>         |
| p. 576         | Deletion of description in <b>16.3 (6) (e) Overrun error occurrence flag (OERR)</b>                                                                         |
| p. 578         | Modification of description of <b>Caution</b> in <b>16.3 (8) IEBus slave address register (SAR)</b>                                                         |
| p. 586         | Deletion of description in <b>16.3 (13) (b) When reception unit</b>                                                                                         |
| p. 597         | Deletion of description in <b>16.4.3 Interrupt source list</b>                                                                                              |
| p. 597         | Modification of description in <b>Table 16-17 Interrupt Source List</b>                                                                                     |
| p. 600         | Deletion of description in <b>Figure 16-26 Master Transmission</b>                                                                                          |
| p. 600         | Deletion of description in <b>16.5.1 Master transmission</b>                                                                                                |
| p. 602         | Deletion of description in <b>Figure 16-27 Master Reception</b>                                                                                             |
| p. 604         | Deletion of description in <b>Figure 16-28 Slave Transmission</b>                                                                                           |
| p. 606         | Deletion of description in <b>Figure 16-29 Slave Reception</b>                                                                                              |
| p. 612         | Addition of <b>CHAPTER 17 CAN CONTROLLER</b>                                                                                                                |
| p. 755         | Addition of <b>CHAPTER 18 DMA FUNCTION (DMA CONTROLLER)</b>                                                                                                 |
| p. 779         | Modification of description in <b>CHAPTER 19 INTERRUPT/EXCEPTION PROCESSING FUNCTION</b>                                                                    |

| Page         | Description                                                                                                                                         |
|--------------|-----------------------------------------------------------------------------------------------------------------------------------------------------|
| p. 779       | Addition of description to <b>19.1 Features</b>                                                                                                     |
| pp. 780, 781 | Addition of description to <b>Table 19-1 Interrupt Source List</b>                                                                                  |
| p. 788       | Modification of description in <b>19.3 Maskable Interrupts</b>                                                                                      |
| p. 795       | Addition of <b>Caution 2</b> to <b>19.3.4 Interrupt control register (xxlCn)</b>                                                                    |
| pp. 796, 797 | Addition of description to <b>Table 19-2 Interrupt Control Register (xxlCn)</b>                                                                     |
| p. 798       | Modification of description in <b>19.3.5 Interrupt mask registers 0 to 3 (IMR0 to IMR3)</b>                                                         |
| p. 805       | Addition of <b>Caution</b> to <b>19.5.1 (2) Restoration</b>                                                                                         |
| p. 812       | Modification of description in <b>19.6.2 (4) Noise elimination control register (NFC)</b>                                                           |
| p. 813       | Addition of description to <b>19.7 Interrupt Acknowledge Time of CPU</b>                                                                            |
| p. 814       | Addition of description to <b>Figure 19-15 Pipeline Operation at Interrupt Request Signal Acknowledgment (Outline)</b>                              |
| p. 815       | Addition of <b>19.9 (2) Interrupt control register (xxlCn)</b>                                                                                      |
| p. 815       | Addition of <b>19.9 (3) In-service priority register (ISPR)</b>                                                                                     |
| p. 820       | Addition of <b>Caution</b> to <b>21.2 (1) Power save control register (PSC)</b>                                                                     |
| p. 824       | Addition of description to <b>Table 21-3 Operating Status in HALT Mode</b>                                                                          |
| p. 826       | Addition of description to <b>Table 21-5 Operating Status in IDLE1 Mode</b>                                                                         |
| p. 828       | Addition of description to <b>Table 21-7 Operating Status in IDLE2 Mode</b>                                                                         |
| p. 832       | Addition of description to <b>Table 21-9 Operating Status in STOP Mode</b>                                                                          |
| p. 835       | Modification of description in <b>Table 21-10 Operating Status in Subclock Operation Mode</b>                                                       |
| p. 837       | Addition of description to <b>Table 21-12 Operating Status in Sub-IDLE Mode</b>                                                                     |
| p. 838       | Addition of description to <b>22.2 (2) Emergency operation mode</b>                                                                                 |
| p. 840       | Modification of description in <b>Table 22-1 Hardware Status on RESET Pin Input</b>                                                                 |
| p. 844       | Addition of <b>22.3.3 Reset operation by clock monitor (CLMRES)</b>                                                                                 |
| p. 848       | Addition of description to <b>22.4 Valid/Invalid of Internal RAM Data</b>                                                                           |
| p. 853       | Deletion of description in <b>Table 23-2 Operation Status of Clock Monitor (When CLM.CLME Bit = 1, During Internal Oscillation Clock Operation)</b> |
| p. 856       | Addition of description to <b>24.1 Outline</b>                                                                                                      |
| p. 856       | Modification of description in <b>Figure 24-1 Regulator</b>                                                                                         |
| p. 859       | Addition of description to <b>25.2 (1) Correction address registers 0 to 3 (CORAD0 to CORAD3)</b>                                                   |
| p. 865       | Modification of description in <b>26.2 Capacitance</b>                                                                                              |
| p. 865       | Addition of description to <b>26.3 Operating Conditions</b>                                                                                         |
| p. 867       | Addition of <b>26.4.1 (i) KYOCERA KINSEKI CORPORATION: Crystal resonator</b>                                                                        |
| p. 868       | Addition of <b>26.4.1 (ii) Murata Mfg. Co. Ltd.: Ceramic resonator</b>                                                                              |
| p. 873       | Addition of <b>26.6.2 (2) <math>\mu</math>PD703253Y</b>                                                                                             |
| p. 877       | Modification of description in <b>26.8.2 (1) (a) Read/write cycle (CLKOUT asynchronous)</b>                                                         |
| p. 882       | Modification of description in <b>26.8.2 (2) (a) Read cycle (CLKOUT asynchronous): In separate bus mode</b>                                         |
| p. 891       | Addition of <b>Note</b> to <b>26.9 (4) Timer timing</b>                                                                                             |
| p. 895       | Addition of <b>26.9 (9) CAN timing (<math>\mu</math>PD703253Y only)</b>                                                                             |
| p. 896       | Addition of <b>26.9 (11) D/A converter (<math>\mu</math>PD703253Y only)</b>                                                                         |
| p. 897       | Addition of <b>26.9 (12) RAM retention detection (<math>\mu</math>PD703253Y only)</b>                                                               |
| p. 900       | Modification of description in <b>CHAPTER 28 RECOMMENDED SOLDERING CONDITIONS</b>                                                                   |
| p. 902       | Addition of description of <b>Note</b> to <b>Figure A-1 (1) When using in-circuit emulator IE-V850ES-G1</b>                                         |

| Page   | Description                                                                                                                                                                                                                           |
|--------|---------------------------------------------------------------------------------------------------------------------------------------------------------------------------------------------------------------------------------------|
| p. 903 | Addition of description of <b>Note</b> to <b>Figure A-1 (2) When using IECUBE QB-V850ESSX2</b>                                                                                                                                        |
| p. 904 | Addition of <b>Figure A-1 (3) When using on-chip debug emulator IE-V850E1-CD-NW</b>                                                                                                                                                   |
| p. 905 | Addition of <b>Figure A-1 (4) When using MINICUBE QB-V850MINI</b>                                                                                                                                                                     |
| p. 906 | Modification of description in <b>A.2 Language Processing Software</b>                                                                                                                                                                |
| p. 909 | Modification of description in <b>Figure A-3 System Configuration (QB-V850ESSX2 Used)</b>                                                                                                                                             |
| p. 909 | Modification of <b>Note</b> in <b>A.4.2 When using IECUBE QB-V850ESSX2</b>                                                                                                                                                            |
| p. 912 | Addition of <b>A.4.3 When using on-chip debug emulator IE-V850E1-CD-NW</b>                                                                                                                                                            |
| p. 913 | Addition of <b>A.4.4 When using MINICUBE QB-V850MINI</b>                                                                                                                                                                              |
| p. 914 | Modification of description in <b>A.5 Debugging Tools (Software)</b>                                                                                                                                                                  |
| p. 916 | Modification of description in <b>A.7 Flash Memory Writing Tools</b>                                                                                                                                                                  |
| p. 917 | Modification of description in <b>APPENDIX B MAJOR DIFFERENCES BETWEEN V850ES/SG1 (<math>\mu</math>PD703249Y, 703252Y) AND V850ES/SG1 (<math>\mu</math>PD703253Y) AND V850ES/SG2 (<math>\mu</math>PD70F3261Y, 70F3271Y, 70F3281Y)</b> |
| p. 939 | Addition of <b>APPENDIX E LIST OF CAUTIONS</b>                                                                                                                                                                                        |
| p. 972 | Addition of <b>APPENDIX F REVISION HISTORY</b>                                                                                                                                                                                        |

*For further information,  
please contact:*

**NEC Electronics Corporation**  
1753, Shimonumabe, Nakahara-ku,  
Kawasaki, Kanagawa 211-8668,  
Japan  
Tel: 044-435-5111  
<http://www.necel.com/>

**[America]**

**NEC Electronics America, Inc.**  
2880 Scott Blvd.  
Santa Clara, CA 95050-2554, U.S.A.  
Tel: 408-588-6000  
800-366-9782  
<http://www.am.necel.com/>

**[Europe]**

**NEC Electronics (Europe) GmbH**  
Arcadiastrasse 10  
40472 Düsseldorf, Germany  
Tel: 0211-65030  
<http://www.eu.necel.com/>

**Hanover Office**  
Podbielskistrasse 166 B  
30177 Hannover  
Tel: 0 511 33 40 2-0

**Munich Office**  
Werner-Eckert-Strasse 9  
81829 München  
Tel: 0 89 92 10 03-0

**Stuttgart Office**  
Industriestrasse 3  
70565 Stuttgart  
Tel: 0 711 99 01 0-0

**United Kingdom Branch**  
Cygnus House, Sunrise Parkway  
Linford Wood, Milton Keynes  
MK14 6NP, U.K.  
Tel: 01908-691-133

**Succursale Française**  
9, rue Paul Dautier, B.P. 52  
78142 Velizy-Villacoublay Cédex  
France  
Tel: 01-3067-5800

**Sucursal en España**  
Juan Esplandiú, 15  
28007 Madrid, Spain  
Tel: 091-504-2787

**Tyskland Filial**  
Täby Centrum  
Entrance S (7th floor)  
18322 Täby, Sweden  
Tel: 08 638 72 00

**Filiale Italiana**  
Via Fabio Filzi, 25/A  
20124 Milano, Italy  
Tel: 02-667541

**Branch The Netherlands**  
Steijgerweg 6  
5616 HS Eindhoven  
The Netherlands  
Tel: 040 265 40 10

**[Asia & Oceania]**

**NEC Electronics (China) Co., Ltd**  
7th Floor, Quantum Plaza, No. 27 ZhiChunLu Haidian  
District, Beijing 100083, P.R.China  
Tel: 010-8235-1155  
<http://www.cn.necel.com/>

**Shanghai Branch**  
Room 2509-2510, Bank of China Tower,  
200 Yincheng Road Central,  
Pudong New Area, Shanghai, P.R.China P.C:200120  
Tel:021-5888-5400  
<http://www.cn.necel.com/>

**Shenzhen Branch**  
Unit 01, 39/F, Excellence Times Square Building,  
No. 4068 Yi Tian Road, Futian District, Shenzhen,  
P.R.China P.C:518048  
Tel:0755-8282-9800  
<http://www.cn.necel.com/>

**NEC Electronics Hong Kong Ltd.**  
Unit 1601-1613, 16/F., Tower 2, Grand Century Place,  
193 Prince Edward Road West, Mongkok, Kowloon, Hong Kong  
Tel: 2886-9318  
<http://www.hk.necel.com/>

**NEC Electronics Taiwan Ltd.**  
7F, No. 363 Fu Shing North Road  
Taipei, Taiwan, R. O. C.  
Tel: 02-8175-9600  
<http://www.tw.necel.com/>

**NEC Electronics Singapore Pte. Ltd.**  
238A Thomson Road,  
#12-08 Novena Square,  
Singapore 307684  
Tel: 6253-8311  
<http://www.sg.necel.com/>

**NEC Electronics Korea Ltd.**  
11F., Samik Lavied'or Bldg., 720-2,  
Yeoksam-Dong, Kangnam-Ku,  
Seoul, 135-080, Korea  
Tel: 02-558-3737  
<http://www.kr.necel.com/>