



IDT79S332

Evaluation Board Manual

February 2001

6024 Silver Creek Valley Road, San Jose, California 95138
Telephone: (800) 345-7015 • (408) 284-8200 • FAX: (408) 284-2775
Printed in U.S.A.
©2005 Integrated Device Technology, Inc.

DISCLAIMER

Integrated Device Technology, Inc. reserves the right to make changes to its products or specifications at any time, without notice, in order to improve design or performance and to supply the best possible product. IDT does not assume any responsibility for use of any circuitry described other than the circuitry embodied in an IDT product. The Company makes no representations that circuitry described herein is free from patent infringement or other rights of third parties which may result from its use. No license is granted by implication or otherwise under any patent, patent rights or other rights, of Integrated Device Technology, Inc.

Boards that fail to function should be returned to IDT for replacement. Credit will not be given for the failed boards nor will a Failure Analysis be performed.

LIFE SUPPORT POLICY

Integrated Device Technology's products are not authorized for use as critical components in life support devices or systems unless a specific written agreement pertaining to such intended use is executed between the manufacturer and an officer of IDT.

1. Life support devices or systems are devices or systems which (a) are intended for surgical implant into the body or (b) support or sustain life and whose failure to perform, when properly used in accordance with instructions for use provided in the labeling, can be reasonably expected to result in a significant injury to the user.
2. A critical component is any components of a life support device or system whose failure to perform can be reasonably expected to cause the failure of the life support device or system, or to affect its safety or effectiveness.

The IDT logo, Dualsync, Dualasync and ZBT are registered trademarks of Integrated Device Technology, Inc. IDT, ODR, RisController, RISCORE, RC3041, RC3051, RC3052, RC3081, RC32134, RC32364, RC36100, RC4700, RC4640, RC64145, RC4650, RC5000, RC64474, RC64475, SARAM, Smart ZBT, SuperSync, SwitchStar, Terasync, TeraClock, are trademarks of Integrated Device Technology, Inc.

Powering What's Next and Enabling A Digitally Connected World are service marks of Integrated Device Technology, Inc. Q, QSI, SynchroSwitch and TurboClock are registered trademarks of Quality Semiconductor, a wholly-owned subsidiary of Integrated Device Technology, Inc.



Table of Contents

Notes

1 Description of IDT79S332 Evaluation Board

Introduction 1-1

Revision History 1-1

Overview of Features 1-2

Explanation of Features 1-2

Specification Summary 1-2

 Part Number 1-2

 RISController 1-2

 On-Board Memory Capacity 1-2

 Debug Monitor Flash 1-3

 Serial Ports 1-3

 Interrupts 1-3

 Physical Dimensions 1-3

 Operating Temperature 1-3

 Relative Humidity 1-3

 Power Supply 1-3

 Flash 1-3

 SDRAM 1-3

 SRAM 1-3

 Programmable IO (PIO) 1-3

 PCI Bus Interface 1-3

2 Installation of IDT79S332 Evaluation Board

79S332 Installation 2-1

Getting Started Quickly 2-1

 Video Terminal Requirements 2-1

 Power Connector Type 2-1

 RC32332 Power Connector (J12) 2-2

 Satellite Mode Power Connector (J13) 2-3

J11 (EJTAG Connector) 2-3

 Memory Blocks 2-4

Jumper and Switch Settings 2-5

 EPROM/Flash Selection 2-5

 CPU Core/IO Supply 2-5

 PCI Bus Arbitration Jumper/Setting 2-5

 Jumper Options 2-5

 Switch Settings (Mode bit selection) 2-7

System Software - IDT/sim 2-8

 Serial Port for CRT Video Terminal & Auxiliary Port 2-8

 Initialization and System Start-Up 2-9

 Logic Analyzer Connections 2-10

Notes

3 Theory of Operation and Design Notes

Introduction 3-1

Address Space Decoding 3-1

 SRAM Selected, 32Mbyte DRAM SODIMM 3-2

 SRAM Not Selected, 32Mbyte DRAM SODIMM 3-2

 Register Address Maps for DMA Channels 0-3 3-5

Interrupts..... 3-7

4 Schematics

Schematics 4-1

5 EPLD Equation

SYSCONSTG 5-1



List of Tables

Notes

Table 2.1	J12 Power Connectors	2-2
Table 2.2	J13 Power Connectors	2-3
Table 2.3	J11 EJTAG Connector	2-3
Table 2.4	J8 JTAG 10 Pin Connector	2-4
Table 2.5	S332 Evaluation Board Memory Block Connector Locations	2-4
Table 2.6	EPROM / Flash Setting.....	2-5
Table 2.7	CPU Core/IO Jumper / Settings.....	2-5
Table 2.8	PCI Bus Arbitration Jumper / Setting	2-5
Table 2.9	Jumper Options	2-5
Table 2.10	Switch Settings	2-7
Table 2.11	J2/J1 Connector Pins and Signal Descriptions.....	2-8
Table 2.12	J19 Connector Pins and Signal Descriptions.....	2-9
Table 2.13	Analyzer POD Connector J4.....	2-10
Table 2.14	Analyzer POD Connector J5.....	2-10
Table 2.15	Analyzer POD Connector J6.....	2-11
Table 2.16	Analyzer POD Connector J9.....	2-11
Table 2.17	Analyzer POD Connector J20.....	2-12
Table 2.18	Analyzer POD Connector J21.....	2-13
Table 3.1	EPROM/FLASH Address Mapping	3-1
Table 3.2	Physical Address Mapping of 79S332 Board Resources	3-1
Table 3.3	SRAM/DRAM Address Range, 32Mbyte DRAM SODIMM.....	3-2
Table 3.4	DRAM Address Range, 32Mbyte DRAM SODIMM & SRAM Not Selected.....	3-2
Table 3.5	LED_Display	3-2
Table 3.6	NVRAM (512 Bytes)	3-2
Table 3.7	Interrupt Status	3-3
Table 3.8	PIO Controller Address Mapping	3-3
Table 3.9	PCI Interface Address Ranges and Definitions	3-3
Table 3.10	PCI Register Map	3-4
Table 3.11	DMA Channel 0 Register Mapping	3-5
Table 3.12	DMA Channel 1 Register Mapping	3-5
Table 3.13	DMA Channel 2 Register Mapping	3-5
Table 3.14	DMA Channel 3 Register Mapping	3-6
Table 3.15	Expansion Interrupt Controller Address Mapping	3-6
Table 3.16	Timer Controller Address Mapping	3-6
Table 3.17	UART Controller Address Map	3-7
Table 3.18	CPU Interrupt Assignment for S332 Board.....	3-7

Notes



List of Figures

Notes

Figure 1.1	79S332 Evaluation Board Block Diagram.....	1-1
Figure 2.1	Diagram of 6-Pin Power Supply Connections to S332 Evaluation Board.....	2-2
Figure 2.2	Initial Screen Display for the IDT/sim Debug Monitor	2-9

Notes



Description of IDT79S332 Evaluation Board

Notes

Introduction

The IDT79RC32332 is a high performance integrated communications processor that combines IDT's RISCORE32300 CPU core with system logic to control boot memory, main memory, I/O, and PCI. It also includes on-chip peripherals such as DMA channels, reset circuitry, interrupts, timers and UARTs. The RC32332 is a complete CPU subsystem for embedded designs.

The IDT79S332 Evaluation Board provides an RC32332 evaluation tool as well as a cost effective way to add I/O boards through the PCI interface. The 79S332 is a working example of a typical embedded PCI host/satellite system. This board is highly configurable and contains hardware options for various memory configurations.

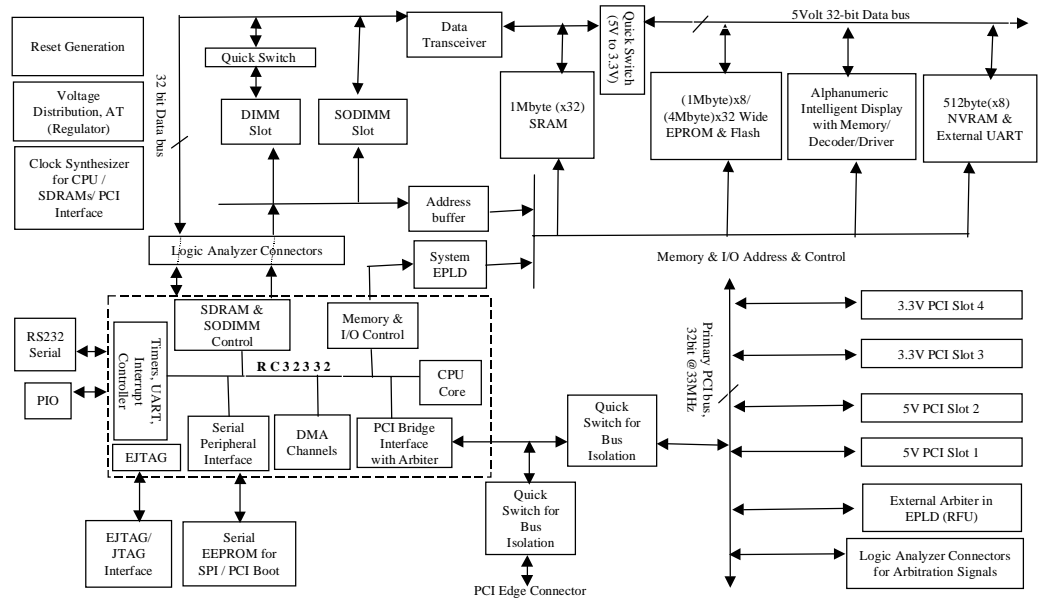


Figure 1.1 79S332 Evaluation Board Block Diagram

Revision History

July 2000: Initial publication.

September 7, 2000: Changed PCI from 66 MHz to 33 MHz in block diagram. Added "Not supported by the RC32332" to several jumpers in Table 2.9.

January 26, 2001: Revised and re-organized the Jumper and Switch Settings in Chapter 2.

February 9, 2001: Changed the Jumper numbers listed in the PIO Controller paragraph on page 3-3. Removed reference to "timers" in the same paragraph.

Notes

Overview of Features

Major features of the 79S332 Evaluation Board include:

- ◆ *Cost effective method of adding I/O boards through a PCI bus interface*
 - *4 PCI slots (two 5V—J14 and J15, two 3.3V—J16 and J17) for adding peripheral controllers. At any given instant, a maximum of two slots are available (J14 and J15 or J16 and J17).*
 - *1 PCI Edge connector*
- ◆ *EPROM 1 Mbyte*
- ◆ *SRAM 1 Mbyte*
- ◆ *SDRAM 32 Mbytes*
- ◆ *Serial EEPROM (Microwire NM93C46 and SPIAT 25256)*
- ◆ *One on-chip serial I/O port (16550 Compatible UART)*
- ◆ *External 85C30 Serial I/O Controller*
- ◆ *One 4 digit LED display*
- ◆ *512 Byte NVRAM*

Explanation of Features

IDT's S332 Evaluation Board is a complete working RC32332 system and is intended as an evaluation tool and software development platform that uses the high performance RC32332 RISController, which is based on IDT's proprietary RISCore32300 CPU core. The board requires a simple CRT video terminal or emulator and a 5-volt power supply with at least 10 AMP of current. A ±12-volt power supply is also needed to support the PCI bus requirements. The board contains four PCI slots for adding peripheral controllers.

The board contains 1 MB of EPROM. The on-board EPROM memory contains IDT's flexible System Integration Manager (IDT/sim), a debugging monitor that supports code downloading from the host system and I/O. Execution control commands include single stepping and instruction tracing, memory probing, register probing, line-based assembly and disassembly of code. Information on using IDT/sim is provided in a separate document that is available from the IDT web site (www.idt.com).

The S332 evaluation board is constructed with both through-hole and surface mount devices on a 10 3/4" x 6 1/2" PCB rectangular form factor board with standoffs and is intended for use as a stand-alone bench top device.

Specification Summary

Part Number

- ◆ *IDT79S332 Evaluation Board*

RISController

- ◆ *RC32332 RISController (256BGA)*

On-Board Memory Capacity

- ◆ *RISController CPU on-chip*
 - *Instruction Cache — 8 kByte*
 - *Data Cache — 2 kByte*
- ◆ *As shipped*
 - *SDRAM — 32 MByte (168 pin DIMM)*
 - *EPROM — 1 MByte*
- ◆ *Maximum*
 - *SDRAM — 256 MByte*
 - *EPROM — 4 MB/Flash — 2 MB*
 - *SRAM — 1 Mbyte*

Notes

Debug Monitor Flash

- ◆ 1 MByte higher density EPROM 27C080 support, containing IDT/sim

Serial Ports

- ◆ Controlled by 85C30 SCC controller
- ◆ Two RS232 DTE DB9P (9-pin male) connectors
- ◆ CRT video terminal connects to J19
- ◆ Software configurable features
- ◆ Default rate: 9600 Baud, 8 bits, no parity, 1 stop bit

Interrupts

- ◆ 2 unsynchronized

Physical Dimensions

- ◆ Rectangular form factor: 10 3/4" x 6 1/2"

Operating Temperature

- ◆ 0-30°C

Relative Humidity

- ◆ 5% - 50%

Power Supply

- ◆ 5.0V ± 5%, 10 Amps typical
- ◆ ± 12.0V ± 5%, required for PCI bus

Flash

- ◆ Cached/non-cached, single access
 - X8, X32 support
 - Non-interleaved

SDRAM

- ◆ Basic structure
 - 144 pin SODIMM
 - 168 pin DIMM socketed (socket on board)
 - PC100, 125 MHz / CL=2 component
- ◆ Configurations allowed
 - Either 144 pin SODIMM or 168 pin DIMM
 - Stays on page between transfers

SRAM

- ◆ Basic structure
 - Two 256 K x 16 devices
 - 15 ns SRAM
 - Zero wait-state operation for block read and block write

Programmable IO (PIO)

- ◆ Input/Output/Interrupt source
- ◆ Individually programmable

PCI Bus Interface

- ◆ Revision 2.1 compliant
- ◆ Bus clock frequency up to 33 MHz
- ◆ Bus speed synchronizer from local system bus to PCI 33 MHz

Notes



Installation of IDT79S332 Evaluation Board

Notes

79S332 Installation

This chapter discusses the steps required to install and boot the 79S332 Evaluation Board. The primary installation steps are as follows:

1. Connect a power source
This involves connecting an external power supply to the board through J12.
2. Connect a video display terminal
This involves connecting an RS232-C serial cable from a video terminal to the board through connector J19.
3. Insert the Ethernet adapter card in either J14 or J15 for Ethernet download
4. Configure jumper/switch options
This involves altering the CPU reset initialization mode vector and changing the memory configuration. The board is shipped with the jumpers/switches set to their default configurations.
5. Run Software
No additional software is required.
6. Boot IDT/sim
When power to the board is turned on, the board's IDT/sim program boots and displays the start-up message.

Getting Started Quickly

The 79S332 board is shipped ready to run. Before the board is shipped, jumpers and switches are configured to the default settings shown in the tables below, and in general, they do not require further modification or setup.

Two basic requirements for the board to run are:

- ◆ +5V power supply with at least 10 Amp of current
- ◆ ±12V power supply to support the PCI bus requirements

Video Terminal Requirements

The CRT video terminal can be a typical VT100 type/ANSI terminal or emulator running with 9600 baud, 8 data bits, no parity, and 1 stop bit. Typically, a video terminal will have a male 25-pin DTE connector. On the evaluation board, the RS232-C connector uses a male 9-pin DTE connector (J19) which uses the pins as shown in Table 2.12. For the default stand-alone mode, power to the board is provided by using a standard PC/AT power supply, available from a wide variety of computer equipment retailers.

Power Connector Type

The +5V power supply can be a typical PC compatible power supply. The J12 connector on the board uses the 12-pin power supply connector that mates with the two 6-pin power supply connectors on a standard PC power supply, as shown in Table 2.1.

Notes

RC32332 Power Connector (J12)

Use J12 power connectors for PCI Host mode. Use J13 power connector for PCI Satellite mode.

Pin	Definition	Color of Mating Connector Wire
1	—	Orange
2	—	Red
3	+12V	Yellow
4	-12V	Blue
5	Ground	Black
6	Ground	Black
7	Ground	Black
8	Ground	Black
9	—	White
10	+5V (vcc)	Red
11	+5V (vcc)	Red
12	+5V (vcc)	Red

Table 2.1 J12 Power Connectors

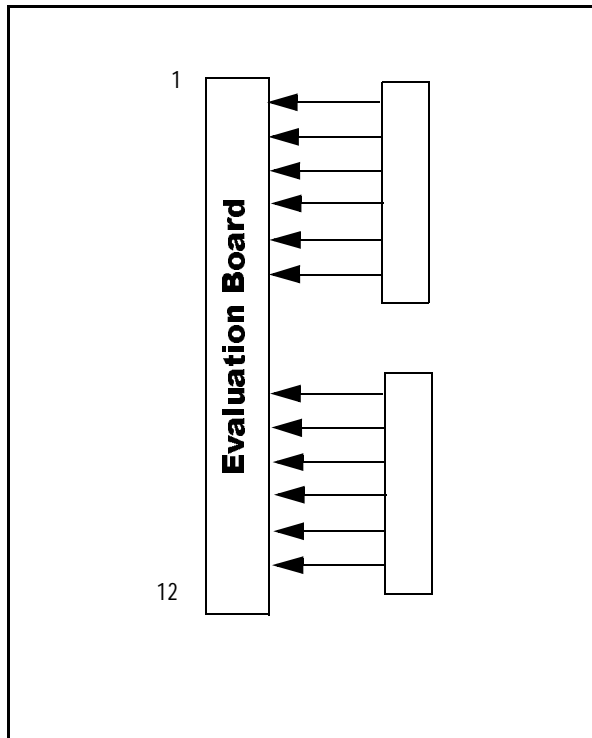


Figure 2.1 Diagram of 6-Pin Power Supply Connections to S332 Evaluation Board

Notes

Satellite Mode Power Connector (J13)

Use J13 power connectors for PCI Satellite mode. Use J12 power connectors for PCI Host mode.

Note: When connecting to J13, be sure to use a PC-AT compatible peripherals power source.

Pin	Definition	Color of Mating Connector Wire
1	+12V	Yellow
2	Ground	Black
3	Ground	Black
4	+5V	Red

Table 2.2 J13 Power Connectors

J11 (EJTAG Connector)

Pin number and signal definitions are provided in Table 2.3.

EJTAG Connector ¹		
Pin Number	Name	Description
1	TRST*	The TRST* pin is an active-low signal for asynchronous reset of the debug unit, independent of the processor logic.
3	TDI	On the rising edge of Tclk, serial input data are shifted into either the Instruction or Data register, depending on the TAP controller state. During Real Mode, this input is used as an interrupt line to stop the debug unit from Real Time mode and return the debug unit back to Run Time Mode (standard JTAG).
5	TDO	The TDO is serial data shifted out from instruction or data register on the falling edge of Tclk. When no data is shifted out, the TDO is tri-stated. During Real Time Mode, this signal provides a non-sequential program counter at the processor clock or at a division of processor clock.
7	TMS	The logic signal received at the TMS input is decoded by the TAP controller to control test operation. TMS is sampled on the rising edge of the TCLK.
9	TCLK	An input test clock, used to shift into or out of the Boundary-Scan register cells. Tclk is independent of the system and the processor clock with nominal 50% duty cycle.
11	RST*	Reset input, an active low signal for asynchronous reset of the entire target board.
13	PCST0	PC Trace Status Information 111 (STL) Pipe line Stall 110 (JMP) Branch/Jump forms with PC output 101 (BRT) Branch/Jump forms with no PC output 100 (EXP) Exception generated with an exception vector code output 011 (SEQ) Sequential performance 010 (TST) Trace is outputted at pipeline stall time 001 (TSQ) Trace trigger output at performance time 000 (DBM) Run Debug Mode During power-on reset (cold reset), PCST(2:0) serves as Mode Bit(2:0).
15	PCST1	
17	PCST2	

Table 2.3 J11 EJTAG Connector (Part 1 of 2)

Notes

EJTAG Connector ¹		
Pin Number	Name	Description
19	DCLK	Processor Clock. During Real Time Mode, this signal is used to capture address and data from the TDO signal at the processor clock speed, or any division of the internal pipeline. DCLK will be at 1/3 of the pipeline clock.
21	Debugboot	The Debugboot input is used during the reset and forces the CPU core to take a debug exception at the end of the reset sequence instead of a reset exception. This enables the CPU to boot from the ICE probe without having the external memory working. This input signal is level sensitive and is not latched internally.
23	Ref Vol	Power Status signal.

Table 2.3 J11 EJTAG Connector (Part 2 of 2)

¹ All of the even numbered pins are ground pins.

JTAG Connector		
Pin Number	Name	Description
All Even	GND	
1	TRST*	The TRST* pin is an active-low signal for asynchronous reset of the debug unit, independent of the processor logic.
3	TDI	On the rising edge of Tclk, serial input data are shifted into either the Instruction or Data register, depending on the TAP controller state. During Real Mode, this input is used as an interrupt line to stop the debug unit from Real Time mode and return the debug unit back to Run Time Mode (standard JTAG).
5	TDO	The TDO is serial data shifted out from instruction or data register on the falling edge of Tclk. When no data is shifted out, the TDO is tri-stated. During Real Time Mode, this signal provides a non-sequential program counter at the processor clock or at a division of processor clock.
7	TMS	The logic signal received at the TMS input is decoded by the TAP controller to control test operation. TMS is sampled on the rising edge of the TCLK.
9	TCLK	An input test clock, used to shift into or out of the Boundary-Scan register cells. Tclk is independent of the system and the processor clock with nominal 50% duty cycle.

Table 2.4 J8 JTAG 10 Pin Connector

Memory Blocks

The DRAM Controller space is a maximum of 256 Mbytes that can be populated at any time with an SDRAM DIMM in the connector slot shown in Table 2.5.

Connector	Memory Type
U26	SRAM
U27	SRAM
U13	SDRAM DIMM Slot-1
J3	SODIMM

Table 2.5 S332 Evaluation Board Memory Block Connector Locations

Notes

Jumper and Switch Settings

EPROM/Flash Selection

W1 to W7	Jumper / Setting							Description
	W1	W2	W3	W4	W5	W6	W7	
	Short between B and C	Short between A and B	Short between A and B	Short between A and B	Short between A and B	Short between A and B	Short between B and C	EPROM selected (Default)
	Short between A and B	Short between B and C	Short between B and C	Short between B and C	Short between B and C	Short between B and C	Short between A and B	Flash selected

Table 2.6 EPROM / Flash Setting

CPU Core/IO Supply

CPU Core/IO Supply	
W11 to W18	Jumpers are hard-wired to A and B. Provides 3.3V to core and IO

Table 2.7 CPU Core/IO Jumper / Settings

PCI Bus Arbitration Jumper/Setting

	Internal (Default)	External
W19	Open	Close
W21	Open	Close
W22	Short between B and C	Short between A and B
W23	Open	Close
W34	Short between B and C	Short between A and B

Table 2.8 PCI Bus Arbitration Jumper / Setting

Jumper Options

W8	DMA Channel1 (Default—no jumper open) (Not supported by the RC32332)
	Short between A and B: External UART channel B W/REQ controls DMA Ready1
	Short between B and C: External UART channel B DTR/REQ controls DMA Ready1
W9	DMA Channel0 (Default—no jumper open)
	Short between A and B: External UART channel A W/REQ controls DMA Ready0
	Short between B and C: External UART channel A DTR/REQ controls DMA Ready0

Table 2.9 Jumper Options (Part 1 of 2)

Notes

W10	SDRAM DIMM				
	Open: SODIMM (Default)				
	Close: Standard DIMM (Use 168-pin Std. DIMM in the SODIMM socket)				
W20	CPU reset option				
	Open: Standard reset to CPU (Default)				
	Close: Asserts permanent reset to CPU in case of JTAG testing (code not implemented in EPLD)				
W25	EEPROM output selection				
	Short A and B: Selects microwire serial EEPROM				
	Short B and C: Selects SPI serial EEPROM (Default)				
W26	PCI mode selection				
	Short A and B: PCI Satellite mode				
	Short B and C: PCI Host mode (Default)				
W27 to W34	PIO bits 3 to 6 and 11 to 14 selection				
	Close: Special function mode (UART) (Default)				
	Open: General purpose mode				
		Jumper	Function	Setting	Description of Signal
	W27	GPIO 15	Close (Default)	CTS for UART 0 (Not supported by the RC32332)	
				Open	General purpose
	W28	GPIO 03	Close (Default)	TX data for UART 1 (Not supported by the RC32332)	
				Open	General purpose
	W29	GPIO 12	Close (Default)	RTS for UART 0 (Not supported by the RC32332)	
				Open	General purpose
	W30	GPIO 13	Close (Default)	DTR for UART 0 (Not supported by the RC32332)	
				Open	General purpose
	W31	GPIO 04	Close (Default)	RX for channel 1 (Not supported by the RC32332)	
				Open	General purpose
	W32	GPIO 14	Close (Default)	DSR for channel 0 (Not supported by the RC32332)	
				Open	General purpose
	W33	GPIO 05	Close (Default)	TX for UART 0	
Open				General purpose	
W34	GPIO 06	Close (Default)	RX for UART 0		
			Open	General purpose	
W35	PCI 66 MHz capability selection				
	Close: 33 MHz capability (Default)				
	Open: Enable 66 MHz capability (Not supported by the RC32332)				
W36	TAP control operation. JTAG probe controls the test operation of the TAP Controller.				
	Short A and B: Selects 334 TAP control (Default)				
	Short B and C: Selects 364 TAP control				

Table 2.9 Jumper Options (Part 2 of 2)

Notes

Switch Settings (Mode bit selection)

S3-1, S3-2	PCI boot mode selection			
	S3-1	S3-2	Description	
	On	On	Selects Boot from Memory Controller, Serial EEPROM not supported (Default)	
	On	Off	Selects Boot from PCI, Serial EEPROM supported	
	Off	On	Reserved	
	Off	Off	Reserved	
S3-3	PCI Host/Satellite mode selection			
	On		Host mode (Default)	
	Off		Satellite mode	
S3-4, S3-5	Boot PROM port width selection			
	S3-4 (mode bit 8)	S3-5 (mode bit 9)	Port Width	
	On	On	8 bit (Default)	
	On	Off	16 bit	
	Off	On	32 bit	
S3-6	Mode bit 7 selection (Reserved)			
	Off (Default)			
S3-7	CPU Timer interrupt enable/disable (Mode bit 6)			
	On: Enable TimerInterrupt (Default)			
	Off: Disable Timer Interrupt			
S3-8, S2-1	Mode bits 4 and 5 Reserved bits			
	Both switches always on			
S2-2	Big/Little endian selection (Mode bit 3)			
	On: Little endian			
	Off: Big endian (Default)			
S2-3, S2-4, and S2-5	Clock multiplier selection			
	S2-3 (bit mode 0)	S2-4 (bit mode 1)	S2-5 (bit mode 2)	Clock multiplier
	On	On	On	X2 (Default)
	On	On	Off	X3
	On	Off	On	X4
	On	Off	Off	Reserved
	Off	On	On	Reserved
	Off	On	Off	Reserved
	Off	Off	On	Reserved
S2-6, S2-7, and S2-8	Other switch settings (unused)			
	Always Off			

Table 2.10 Switch Settings

Notes

System Software - IDT/sim

EPROM on the 79S332 contains IDT's System Integration Manager (IDT/sim). IDT/sim is a software boot PROM debug monitor that provides functions for downloading software and for integrating hardware with software. Using IDT/sim, software can be downloaded onto the board from a SUN SPARCstation™ or a PC/AT personal computer.

IDT/sim source code can be acquired to support other I/O devices or change I/O addresses to fit their specific application: for example, to change from big-endian to little-endian addressing. The S332 board's default configuration is big-endian addressing. A copy of IDT/sim can be obtained through your local IDT sales representative.

Note: IDT/sim provides two functions for measuring elapsed execution time: *timer_start()* and unsigned int *timer_stop()*. The function *timer_stop()* returns the number of microseconds elapsed since the most recent call to *timer_start()*. This functionality is independent of the system clock crystal specification on the majority of IDT evaluation boards. However, the IDT79S134 and IDT79S332 boards are exceptions. On these boards, the number of microseconds returned is accurate ONLY if the system clock crystal is 50 MHz. If a crystal with a different frequency is being used, say X MHz, you must multiply the result by 50/X to obtain the actual microseconds of elapsed time. All of the above is true for the "clock()" function supported by the Algorithmics C/C++ compiler shipped with the board.

Serial Port for CRT Video Terminal & Auxiliary Port

The 79S332 system board has three RS232 serial port connectors with pin assignments as shown in Table 2.11 and Table 2.12. The console port for the board is the DB9P connector designated as J2/J19¹ and must be set for a data rate of 9600 baud with 8 bits of data, no parity bit, and one stop bit. The J1 auxiliary port is also a DB9P connector and is used for functions such as down loading software from a PC or SPARCstation™.

SCC Port - A Console Connector J2		SCC Port - B Auxiliary Connector J1	
Pin	Signal	Pin	Signal
1	No connection	1	No connection
2	Txd (Output)	2	Txd (Output)
3	Rxd (Input)	3	Rxd (Input)
4	No connection	4	No connection
5	Ground	5	Ground
6	No connection	6	No connection
7	No connection	7	No connection
8	No connection	8	No connection
9	No connection	9	No connection

Table 2.11 J2/J1 Connector Pins and Signal Descriptions

¹Based on SIM (for external/internal UART) the console will either be J2 or J19 (as shipped: J19).

Notes

79RC32332 UART - A Console Connector J19	
Pin	Signal
1	No connection
2	Txd (Output)
3	Rxd (Input)
4	DSR (Input)
5	Ground
6	DTR (Output)
7	RTS (Output)
8	CTS (Input)
9	No connection

Table 2.12 J19 Connector Pins and Signal Descriptions

Initialization and System Start-Up

System start-up is performed by turning the power supply on. If power to the board has already been supplied, then pressing the reset button will reinitialize the board. Two of the board's three LED displays indicate that the power has been successfully applied and one indicates the status of reset, as follows:

- ◆ *DS1 indicates that the 5V power is ON (Green)*
- ◆ *DS2 indicates that the 2.5V power supply is ON (Red)*
- ◆ *DS3 indicates that the Cold Reset is active (Red)*
- ◆ *DS4 indicates that the 3.3V power supply is ON (Yellow)*

Once started, IDT/sim automatically boots and sizes the internal cache and main memory. The console is connected via the CRT serial port and a message indicating cache and memory sizes—similar to the one shown in Figure 2.2—will appear along with the first command line prompt. For more information on SIM commands, refer to the IDT/ sim User/Developer's Manual.

Note: Future upgrades will be assigned a different version number and date. **The starting address of the free memory space may differ slightly from the example shown** in Figure 2.2.

```

IDT System Integration Manager Ver. 9.0 May 2000
Copyright 1994-2000 Integrated Device Technology, Inc.

RC323xx CPU, 32-bit, Big Endian, MIPS-II, Write-Through cache
Console: 9600 baud
Instruction cache: 8 KB, Data cache: 2 KB
Memory Configuration: SDRAM only
Primary User Memory: 0XA009B2A8 to 0XA1FBFFFC. Size: 31888 KB
CAUTION: IDT/sim functions <timer_start> and <timer_stop> will work accurately only if the
crystal in socket U11 is 50 MHz. Higher (lower) rating will cause timer_stop to return higher
(lower) value!

    For HELP enter '?'

<IDT>
    
```

Figure 2.2 Initial Screen Display for the IDT/sim Debug Monitor

Notes

Logic Analyzer Connections

J4-6, J9, J20, J21 can be used to connect directly to an HP Logic Analyzer. The pin numbers and signal descriptions for each connector are listed in the following tables.

Pin	Signal	Pin	Signal
1	N.C.	2	N.C.
3	GND	4	N.C.
5	N.C.	6	debug_cpu_ack_n
7	N.C.	8	mem_data[31]
9	N.C.	10	mem_data[30]
11	N.C.	12	mem_data[29]
13	N.C.	14	mem_data[28]
15	N.C.	16	mem_data[27]
17	N.C.	18	mem_data[26]
19	N.C.	20	mem_data[25]
21	N.C.	22	mem_data[24]
23	N.C.	24	mem_data[23]
25	N.C.	26	mem_data[22]
27	sdram_addr[21]	28	mem_data[21]
29	sdram_addr[20]	30	mem_data[20]
31	sdram_addr[19]	32	mem_data[19]
33	sdram_addr[18]	34	mem_data[18]
35	sdram_addr[17]	36	mem_data[17]
37	sdram_addr[16]	38	mem_data[16]

Table 2.13 Analyzer POD Connector J4

Pin	Signal	Pin	Signal
1	N.C.	2	N.C.
3	GND	4	N.C.
5	cpu_masterclk	6	debug_cpu_ads_n
7	sdram_addr[15]	8	sdram_we_n
9	sdram_addr[14]	10	sdram_s_n[1]
11	sdram_addr[13]	12	sdram_s_n[0]
13	sdram_addr[12]	14	sdram_ras_n
15	sdram_addr[11]	16	sdram_cs_n[3]
17	sdram_addr[10]	18	sdram_cs_n[2]
19	sdram_addr[9]	20	sdram_cs_n[1]
21	sdram_addr[8]	22	sdram_cs_n[0]
23	sdram_addr[7]	24	sdram_cas_n

Table 2.14 Analyzer POD Connector J5 (Part 1 of 2)

Notes

Pin	Signal	Pin	Signal
25	sdram_addr[6]	26	sdram_bemask_n[3]
27	sdram_addr[5]	28	sdram_bemask_n[2]
29	sdram_addr[4]	30	sdram_bemask_n[1]
31	sdram_addr[3]	32	sdram_bemask_n[0]
33	sdram_addr[2]	34	sdram_245_oe_n
35	sdram_addr[1]	36	sdram_cke_n
37	sdram_addr[0]	38	sdram_addr[12]

Table 2.14 Analyzer POD Connector J5 (Part 2 of 2)

Pin	Signal	Pin	Signal
1	GND	2	N.C.
3	GND	4	N.C.
5	debug_cpu_i_d_n	6	debug_cpu_dma_n
7	mem_data_15	8	mem_we_n[3]
9	mem_data_14	10	mem_we_n[2]
11	mem_data_13	12	mem_we_n[1]
13	mem_data_12	14	mem_we_n[0]
15	mem_data_11	16	mem_oe_n
17	mem_data_10	18	mem_245_oe_n
19	mem_data_9	20	mem_cs_n[5]
21	mem_data_8	22	mem_cs_n[4]
23	mem_data_7	24	mem_cs_n[3]
25	mem_data_6	26	mem_cs_n[2]
27	mem_data_5	28	mem_cs_n[1]
29	mem_data_4	30	mem_cs_n[0]
31	mem_data_3	32	cpu_coldreset_n
33	mem_data_2	34	cpu_nmi_n
35	mem_data_1	36	cpu_int_n[0]
37	mem_data_0	38	cpu_dt_r_n

Table 2.15 Analyzer POD Connector J6

Pin	Signal	Pin	Signal
1	N.C.	2	N.C.
3	gnd	4	N.C.
5	ejtag_dclk	6	mem_wait_n
7	N.C.	8	N.C.

Table 2.16 Analyzer POD Connector J9 (Part 1 of 2)

Notes

Pin	Signal	Pin	Signal
9	ejtag_pcstf[2]	10	N.C.
11	ejtag_pcstf[1]	12	N.C.
13	ejtag_pcstf[0]	14	N.C.
15	ejtag_tms	16	N.C.
17	ejtag_debugboot	18	N.C.
19	jtag_tdi	20	dma_ready_n[1]
21	ejtag_tpc	22	dma_ready_n[0]
23	jtag_tms	24	uart_tx[1]
25	jtag_tck	26	uart_tx[0]
27	jtag_trst_n	28	uart_rx[1]
29	spi_miso	30	uart_rx[0]
31	spi_mosi	32	uart_dsr_n [0]
33	spi_ss_n	34	uart_dtr_n [0]
35	spi_sck	36	uart_rts_n [0]
37	timer_tc_n	38	uart_cts_n [0]

Table 2.16 Analyzer POD Connector J9 (Part 2 of 2)

Pin	Signal	Pin	Signal
1	N.C.	2	N.C.
3	GND	4	N.C.
5	pci_clk	6	N.C.
7	pci_perr_n	8	pci_ad[15]
9	pci_serr_n	10	pci_ad[14]
11	pci_stop_n	12	pci_ad[13]
13	pci_par	14	pci_ad[12]
15	pci_cbe_n[3]	16	pci_ad[11]
17	pci_cbe_n[2]	18	pci_ad[10]
19	pci_cbe_n[1]	20	pci_ad[9]
21	pci_cbe_n[0]	22	pci_ad[8]
23	pci_lock_n	24	pci_ad[7]
25	pci_reg_n[0]	26	pci_ad[6]
27	pci_reg_n[2]	28	pci_ad[5]
29	pci_gnt_n[0]	30	pci_ad[4]
31	pci_gnt_n[2]	32	pci_ad[3]
33	pci_irdy_n	34	pci_ad[2]
35	pci_trdy_n	36	pci_ad[1]
37	pc_devsel_n	38	pci_ad[0]

Table 2.17 Analyzer POD Connector J20

Notes

Pin	Signal	Pin	Signal
1	N.C.	2	N.C.
3	GND	4	N.C.
5	pci_clk	6	N.C.
7	N.C.	8	pci_ad[31]
9	N.C.	10	pci_ad[30]
11	N.C.	12	pci_ad[29]
13	N.C.	14	pci_ad[28]
15	N.C.	16	pci_ad[27]
17	N.C.	18	pci_ad[26]
19	N.C.	20	pci_ad[25]
21	pc_gnt_n[1]	22	pci_ad[24]
23	pc_reg_n[1]	24	pci_ad[23]
25	pci_intd_n	26	pci_ad[22]
27	pci_inta_n	28	pci_ad[21]
29	pci_intb_n	30	pci_ad[20]
31	pci_inta_n	32	pci_ad[19]
33	N.C.	34	pci_ad[18]
35	N.C.	36	pci_ad[17]
37	N.C.	38	pci_ad[16]

Table 2.18 Analyzer POD Connector J21

Notes



Theory of Operation and Design Notes

Notes

Introduction

This chapter provides information on the functional operation of the IDT79S332 evaluation board for the RC32332 integrated communications processor. For detailed schematics refer to Chapter 4. For detailed PLD equations, refer to Chapter 5.

Address Space Decoding

The physical addresses of the S332 board's resources are as listed in the tables that follow. The EPROM/FLASH, SRAM, Serial Communication Controller, NVRAM, LED display, and INTSTS subsystems can be accessed through selection of the Memory chipselects[0...5].

The memory_I/O controller includes the EPROM/FLASH subsystem, Serial I/O and SRAM subsystems. The EPROM/FLASH module is accessible through **mem_chipselect[0]**. The address ranges are shown in Table 3.1. Selection between EPROM or FLASH memory space is achieved through jumpers, as shown in Table 2.9 of Chapter 2.

		Address Range	Base Address	Base Mask
8 bit	EPROM	1FC0_0000 to 1FCF_FFFF	1FC0_0000	FFF0_0000
	FLASH	1FC0_0000 to 1FC7_FFFF	1FC0_0000	FFF8_0000
32 bit	EPROM	1FC0_0000 to 1FFF_FFFF	1FC0_0000	FFC0_0000
	FLASH	1FC0_0000 to 1FDF_FFFF	1FC0_0000	FFE0_0000

Table 3.1 EPROM/FLASH Address Mapping

The 85C30 SCC controller interfaces two RS232 connectors and is located at the fixed address space listed in Table 3.2, which is selected through **mem_chipselect[5]**. NVRAM is selected through **mem_chipselect[3]**, LED display through **mem_chipselect[4]** and Interrupt status through **mem_chipselect[2]**. The SRAM memory space is 1 Mbyte and is accessed through **mem_chipselect[1]** (see Table 3.3).

Description	Physical Address Locations	Chipset Select Allocation
ROM	1FC0_0000 – 1FFF_FFFF	mem_chipselect[0]
Flash	1FC0_0000 – 1FDF_FFFF	mem_chipselect[0]
SRAM	0400_0000 – 040F_FFFF	mem_chipselect[1]
DRAM (SDRAM)		
Bank 0 size is 16MB	0000_0000 – 00FF_FFFF	
Bank 1 size is 16MB	0100_0000 – 01FF_FFFF	
Bank 2 size is 16MB	0200_0000 – 02FF_FFFF	
Bank 3 size is 16MB	0300_0000 – 03FF_FFFF	
SCC (85C30)	1600_0000 – 17FF_FFFF	mem_chipselect[5]
79RC32332 Internal Registers	1800_0000 – 1BFF_FFFF	
LED_Display	1400_0000 – 15FF_FFFF	mem_chipselect[4]
NV_RAM	1200_0000 – 13FF_FFFF	mem_chipselect[3]
INT_Status	1000_0000 – 11FF_FFFF	mem_chipselect[2]

Table 3.2 Physical Address Mapping of 79S332 Board Resources

Notes

The **DRAM Controller** supports up to 256 Mbytes. At any time, either SODIMM or standard DIMM can be populated. Both sockets supports x64 DRAM DIMMs. Table 3.3 shows the SRAM and DRAM address locations when the SRAM option is selected. When SRAM is not selected, the address mappings are as shown in Table 3.4.

SRAM Selected, 32Mbyte DRAM SODIMM

SRAM Address Range		DRAM Address Range		DRAM Base Addresses	DRAM Mask Addresses
From	To	From	To	Banks 3:0	Banks 3:0
0000_0000	000F_FFFF	0100_0000	02FF_FFFF	0100_0000	FF00_0000
				0200_0000	
				0300_0000	
				0400_0000	

Table 3.3 SRAM/DRAM Address Range, 32Mbyte DRAM SODIMM

SRAM Not Selected, 32Mbyte DRAM SODIMM

DRAM Address Range		DRAM Base Addresses	DRAM Mask Addresses
From	To	Banks 3:0	
0000_0000	01FF_FFFF	0000_0000	FF00_0000
		0100_0000	
		0200_0000	
		0300_0000	

Table 3.4 DRAM Address Range, 32Mbyte DRAM SODIMM & SRAM Not Selected

LED_Display	
Clear display (read this port)	1400_0400
Digit 0	1400_000F
Digit 1	1400_0008
Digit 2	1400_0007
Digit 3	1400_0003

Table 3.5 LED_Display

NVRAM (512 Bytes)	
Base Addr for Read/Write	1200_0000
Base Addr for Recall/Store	1200_0400

Table 3.6 NVRAM (512 Bytes)

Notes

Interrupt Status	
Base Addr (read only):	1000_0000
Bit 0:	PCI_INT A #
Bit 1:	PCI_INT B #
Bit 2:	PCI_INT C #
Bit 3:	PCI_INT D #
Bit 4:	M66EN
Bit 5:	SCC_INT_N
Bit 6:	PCI_HOST_N
Bit 7:	UART_DCD_N

Table 3.7 Interrupt Status

The **PIO Controller** supports either 15-bit general purpose discrete I/O or specific peripheral functions. As general purpose discrete I/O pins, the controller supports I/O function such as micro wire serial EEPROM. Specific peripheral I/O functions such as on-chip UART data I/O pins, modem control, SPI, and DMA are also supported. Each of these functions are implemented through jumpers W8, W9, W25, and W27 through W34, as shown in Table 2.9. The address map of the PIO controller is shown in Table 3.8.

PIO Controller Address Mapping	
From	To
1800_0600	1800_0608

Table 3.8 PIO Controller Address Mapping

The **PCI bus interface** resources include a control core that provides a master and target controller that uses transmit and receive FIFO sizes of 8 words. The bus interface to the PCI core provides PCI bus arbitration selection, external bus request and bus grant modes, internal RC 32332 arbiter mode with fixed and round robin priority selections, mailbox registers, and software programmable endianness (selectable per memory block). The internal address map for the PCI interface is shown in Table 3.9. The address mapping for these registers is shown in Table 3.10.

From	To	Allocation
1800_2000	1800_2FFF	Internal registers (4KB)
1880_0000	188F_FFFF	PCI I/O Space (1MB)
18C0_0000	18FF_FFFF	Memory space 3 (4MB) (for non-pci boot reset option)
1FC0_0000	1FFF_FFFF	Memory space 3 (4MB) (for pci boot reset option)
4000_0000	5FFF_FFFF	Memory Space 1 (512MB)
6000_0000	7FFF_FFFF	Memory Space 2 (512MB)

Table 3.9 PCI Interface Address Ranges and Definitions

Notes

Address	Registers
1800_05B0	PCI Controller Interrupt Pending Register 11
1800_05B4	PCI Controller Interrupt Mask Register 11
1800_05B8	PCI Controller Interrupt Clear Register 11

1800_05C0	PCI Satellite Mode Mailbox Interrupt Pending Register 12
1800_05C4	PCI Satellite Mode Mailbox Interrupt Mask Register 12
1800_05C8	PCI Satellite Mode Mailbox Interrupt Clear Register 12

1800_05D0	PCI to CPU Mailbox Interrupt Pending Register 13
1800_05D4	PCI to CPU Mode Mailbox Interrupt Mask Register 13
1800_05D8	PCI to CPU Mailbox Interrupt Clear Register 13

1800_20B0	PCI Memory Space 1 Base Register
1800_20B8	PCI Memory Space 2 Base Register
1800_20C0	PCI Memory Space 3 Base Register
1800_20C8	PCI I/O Space Base Register
1800_20E0	PCI Arbitration Register
1800_20E8	PCI Host Memory Space 1 Base Register
1800_2100	PCI Host IO space Base Register
1800_2CF8	PCI Configuration Address Register
1800_2CFC	PCI Configuration Data Register

Table 3.10 PCI Register Map

Four general purpose **DMA channels**¹ move data between source and destination resources such as system memory, PCI or external I/O devices (8-, 16-, or 32-bit I/O devices are treated as memory-mapped word-aligned devices). Using a flexible, memory-based descriptor structure, any of the four channels efficiently supports “scatter/gather” capability.

The RC32332 DMA supports byte, half-word (16-bit), word, and quad-word burst transfers that cross-over quad-word boundaries and are automatically split into single-word transfers until a quad-word boundary is reached. The DMA controller also automatically prevents burst transfers from crossing page boundaries and supports little- or big-endian data conversions. DMA restrictions include:

- ◆ *When the source or destination address is constant (as in I/O devices), it must be word aligned.*
- ◆ *DMA is not supported for internal UART.*

Note that the following transfers are not supported:

- ◆ *Source is incremented and destination is decremented*
- ◆ *Source is decremented and destination is incremented.*

Additional information on DMA operations is located in the RC32334/RC32332 User Reference Manual.

¹ DMA channels 2, 3, and 4 do not have the DMA_RDY pins and cannot be used to perform DMA transfers with slow I/O devices.

Notes

Register Address Maps for DMA Channels 0-3

Base Address Channel 0	Register Name	Offset Address	Effective Address Channel 0
1800_1400	Configuration Register	00	Base + Offset
	Base Descriptor Register	04	
	Current Address Register	08	
	Status/Block Size Register	10	
	Source Address Register	14	
	Destination Address Register	18	
	Nest Descriptor Address Register	1C	

Table 3.11 DMA Channel 0 Register Mapping

Base Address Channel 1	Register Name	Offset Address	Effective Address Channel 1
1800_1400	Configuration Register	40	Base + Offset
	Base Descriptor Register	44	
	Current Address Register	48	
	Status/Block Size Register	50	
	Source Address Register	54	
	Destination Address Register	58	
	Nest Descriptor Address Register	5C	

Table 3.12 DMA Channel 1 Register Mapping

Base Address Channel 2	Register Name	Offset Address	Effective Address Channel 2
1800_1900	Configuration Register	00	Base + Offset
	Base Descriptor Register	04	
	Current Address Register	08	
	Status/Block Size Register	10	
	Source Address Register	14	
	Destination Address Register	18	
	Nest Descriptor Address Register	1C	

Table 3.13 DMA Channel 2 Register Mapping

Notes

Base Address Channel 3	Register Name	Offset Address	Effective Address Channel 3
1800_1900	Configuration Register	40	Base + Offset
	Base Descriptor Register	44	
	Current Address Register	48	
	Status/Block Size Register	50	
	Source Address Register	54	
	Destination Address Register	58	
	Nest Descriptor Address Register	5C	

Table 3.14 DMA Channel 3 Register Mapping

The **Expansion Interrupt Controller** extends the CPU's CP0 interrupt control by collating the RC32332 generated interrupts into a single CPU interrupt. When a general purpose interrupt is received, the Interrupt Service Routine (ISR) first saves CPU registers, checks its Cause Register and then checks its Pending Interrupt Register. If the pending interrupt is from the RC32332, then the ISR checks the Expansion Interrupt Controller Pending Interrupt Register. After treating/noting the interrupt condition, the ISR resets the pending interrupt by writing to the corresponding bit in the Expansion Interrupt Clear Register. The ISR can then exit by restoring the CPU register and executing an RFE instruction. The register address mapping for the Expansion Interrupt Controller is shown in Table 3.15.

Expansion Interrupt Controller Address Mapping	
From	To
1800_0500	1800_05e8

Table 3.15 Expansion Interrupt Controller Address Mapping

The RC32332 has eight on-chip **Timers**: Three general purpose timers and five timers that are optionally dedicated to Watchdog, CPU bus time-out, IP bus time-out, DRAM refresh, and WarmReset. Beginning from zero, these eight system timers count on each system clock, timing out after reaching a programmable compare value and resetting to zero automatically. Uses for these timers include real-time clock, cascaded real-time clock and time-slice clock. The register address mapping for the Timer controller is shown in Table 3.16. Additional information on the functional aspects of these timers is located in the RC32 334/RC32332 User Reference Manual.

Timer Controller Address Mapping	
From	To
1800_0700	1800_0778

Table 3.16 Timer Controller Address Mapping

The two 16550 UARTs are an enhanced version of the 16450 UART. Functionally the same as a 16450 at power-up, these UARTs can be put into the 16550 mode, which then relieves the CPU of software overhead. This feature allows execution of 16450 or 16550 compatible software. Two sets of 16-byte buffers are enabled during the 16550 mode: one set in the receive data path and one set in the transmit data path.

The CPU can read the UART status at any time during operation. Status information includes the type and condition of the transfer operation, as well as any error condition (parity, overrun, framing, or break interrupt). A baud rate generator is included that divides down the system clock by 1 to 65K. The baud rate generator provides the 16X clock for driving the transmitter and receiver logic.

Notes

The UART controller provides fully programmable serial characteristics such as 5, 6, 7, or 8-bit characters; even, odd, or no parity bit generation and detection; and 1, 1-1/2, or 2 stop bit generation. The register address mapping for the UART Controller is shown in Table 3.17.

UART Controller Address Mapping	
From	To
1800_0800	1800_083C

Table 3.17 UART Controller Address Map

Interrupts

Both the on-board and PCI bus interface interrupts are assigned to the CPU as shown in Table 3.18.

Interrupts	32332
INT0*	Scc (85C30) INTR
INT1*	PCI Bus INTA# OR PCI Bus INTB# OR PCI Bus INTC# OR PCI Bus INTD#
INT2*	PCI Bus INTB#
INT4*	PCI Bus INTC#
INT5*	PCI Bus INTD#
NMI*	High (Unused)

Table 3.18 CPU Interrupt Assignment for S332 Board

Notes




Schematics

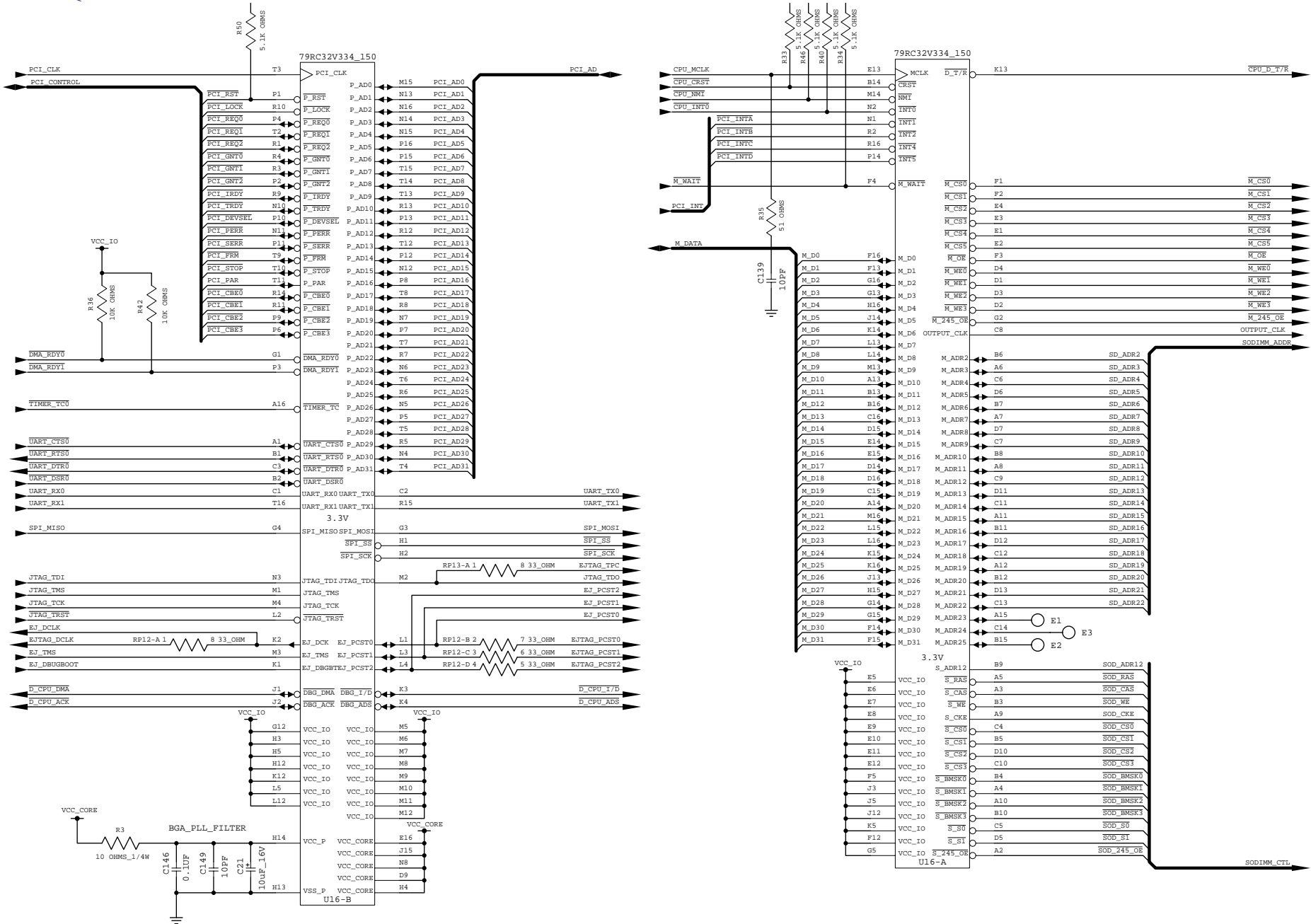
Notes

Schematics

SH	DESCRIPTION
1	79RC32334
2	79RC32332
3	SODIMM
4	SDRAM QUICKSWITCHES
5	SDRAM DIMM
6	CLOCKS, RESET, CONFIGURATION SWITCHES
7	JTAG, EJTAG, EEPROM, INTERNAL UART
8	CPU LOGIC ANALYZER CONNECTORS
9	PCI LOGIC ANALYZER CONNECTORS
10	PCI SLOT QUICKSWITCHES
11	PCI EDGE CONNECTOR QUICKSWITCHES
12	PCI SLOT 1
13	PCI SLOT 2
14	PCI SLOT 3
15	PCI SLOT 4
16	PCI EDGE CONNECTOR
17	DATA, ADDRESS BUFFERS
18	EPLD
19	SRAM
20	EPROM/FLASH MEMORY
21	DISPLAY, NVRAM, EXTERNAL UART
22	POWER SUPPLY
23	BYPASS CAPACITORS

CONFIDENTIAL PROPERTY OF INTEGRATED DEVICE TECHNOLOGY, INC.

	SHEET TITLE: TABLE OF CONTENTS
	PROJECT TITLE: 79S332/79S334A EVAL BD.
	REV LEVEL: 001 PAGE NUMBER: 0 OF 23
	PART NUMBER: 003-A1550-002
	ENGINEER'S NAME: RITESH KAPAH/KASI
DRAWN BY: J.A./GAIL SWAMI	

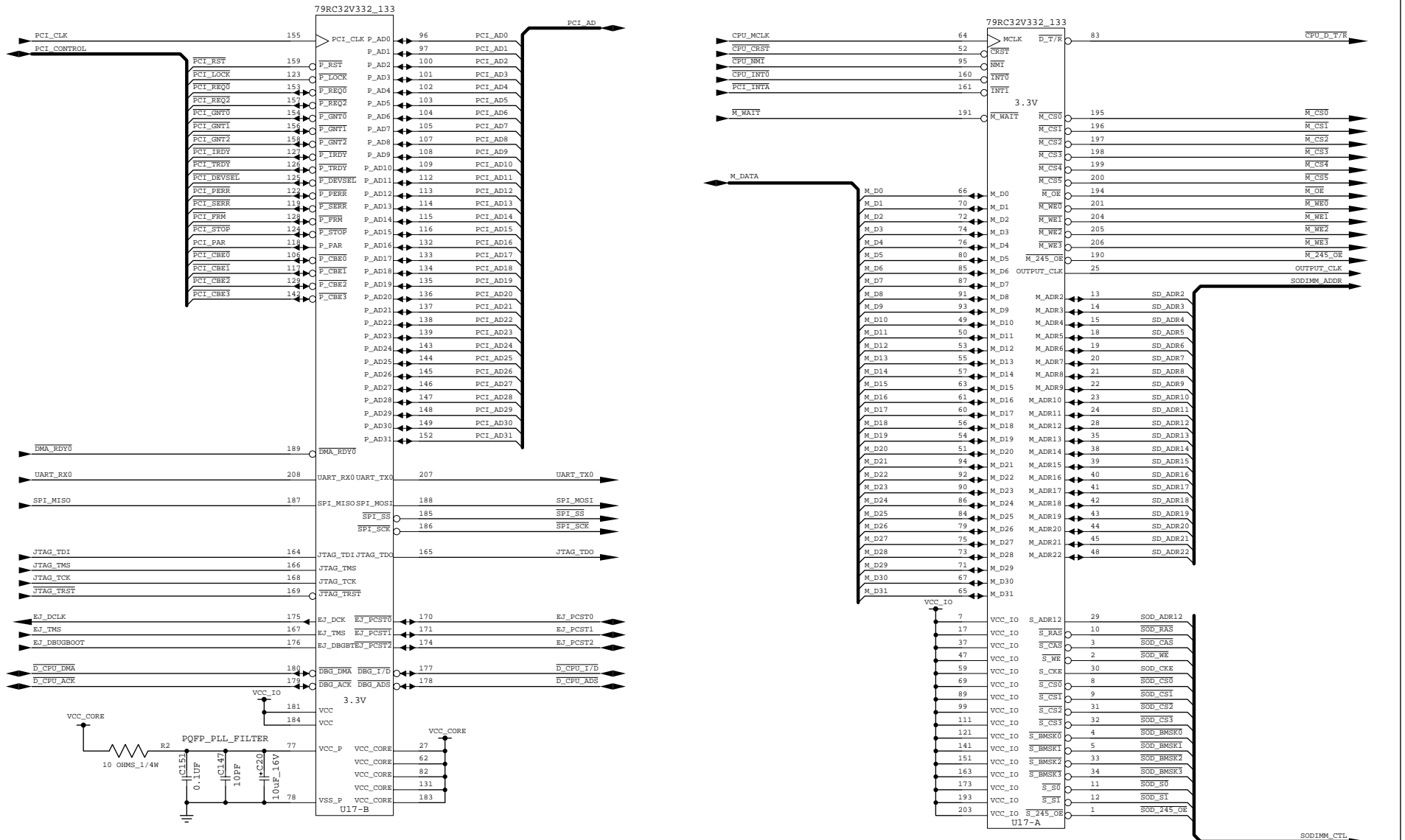


RC32334-BGA

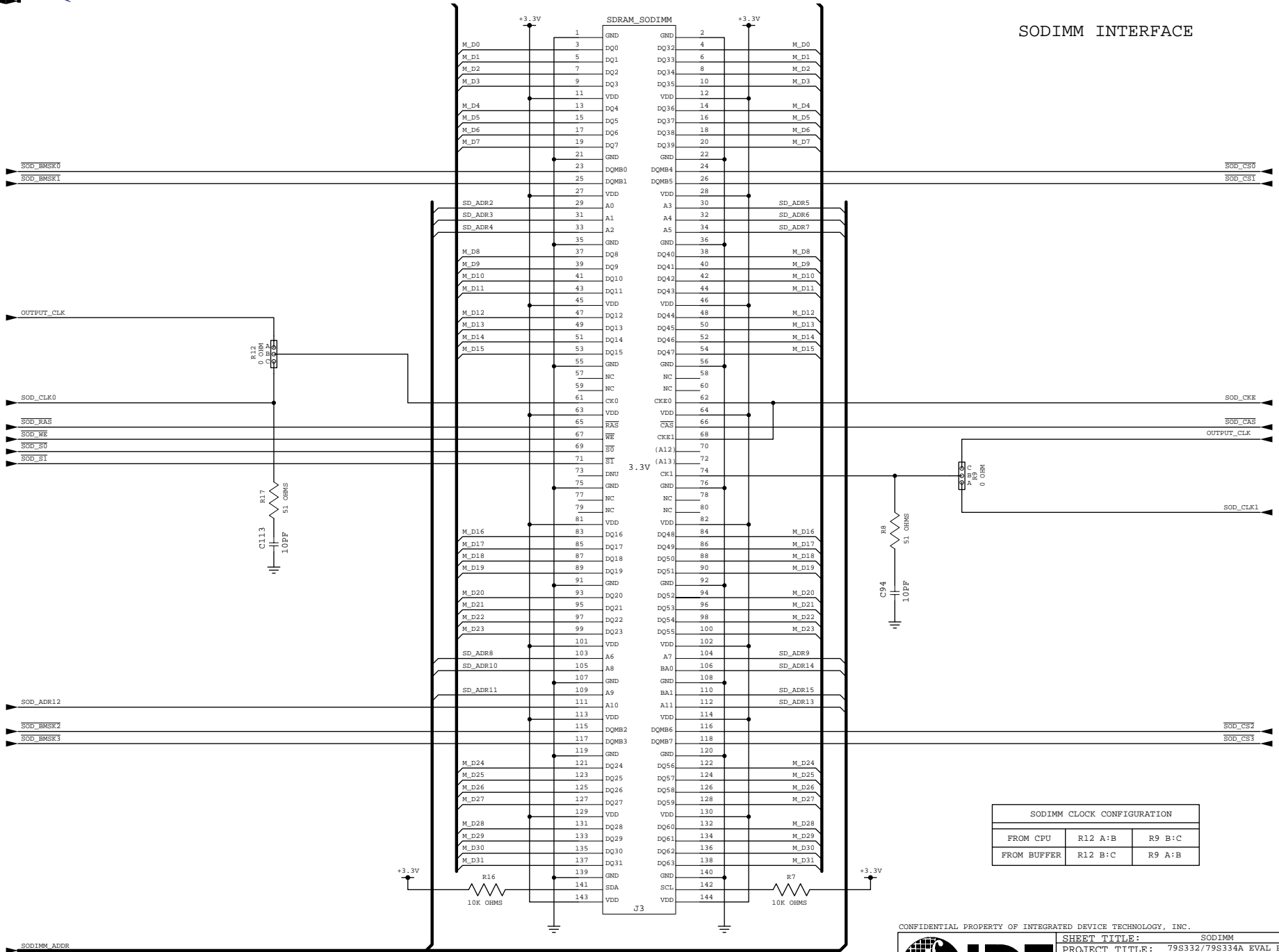
CONFIDENTIAL PROPERTY OF INTEGRATED DEVICE TECHNOLOGY, INC.



SHEET TITLE:	79RC32334
PROJECT TITLE:	79S332/79S334A EVAL BD.
REV LEVEL:	001 PAGE NUMBER: 1 OF 23
PART NUMBER:	003-A1550-002
ENGINEER'S NAME:	RITESH KAPHI KASI
DRAWN BY:	J.A./GAIL SWAMI



SODIMM INTERFACE

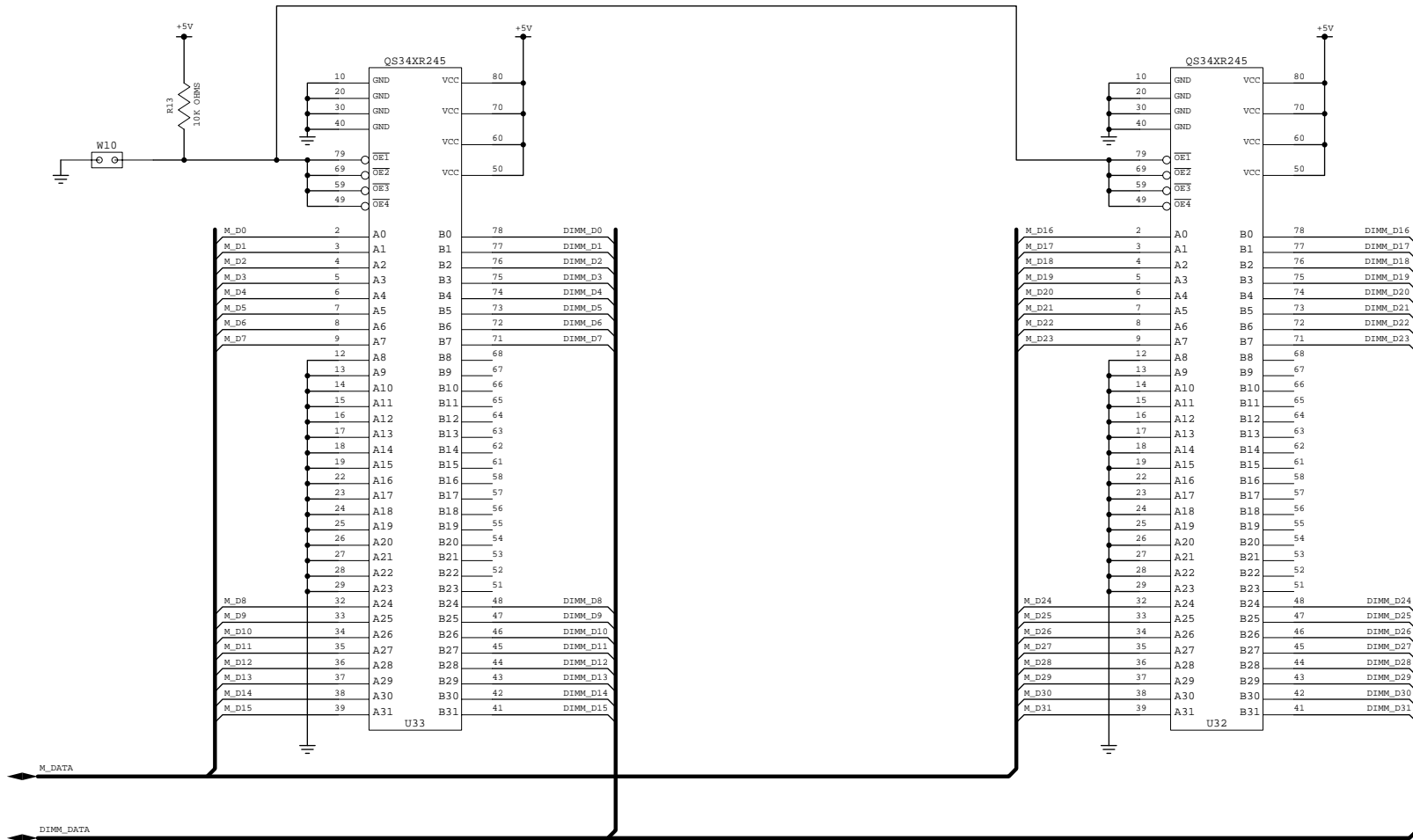


SODIMM CLOCK CONFIGURATION		
FROM CPU	R12 A:B	R9 B:C
FROM BUFFER	R12 B:C	R9 A:B

CONFIDENTIAL PROPERTY OF INTEGRATED DEVICE TECHNOLOGY, INC.



SHEET TITLE:	SODIMM
PROJECT TITLE:	79S332/79S334A EVAL BD.
REV LEVEL:	001 PAGE NUMBER: 3 OF 23
PART NUMBER:	003-A1550-002
ENGINEER'S NAME:	RITESH KAPPAH/KASI
DRAWN BY:	J.A./GAIL SWAMI



NOTE :

FOR DRAM DIMM OPERATION, INSTALL W10 TO ENABLE QUICKSWITCHES.

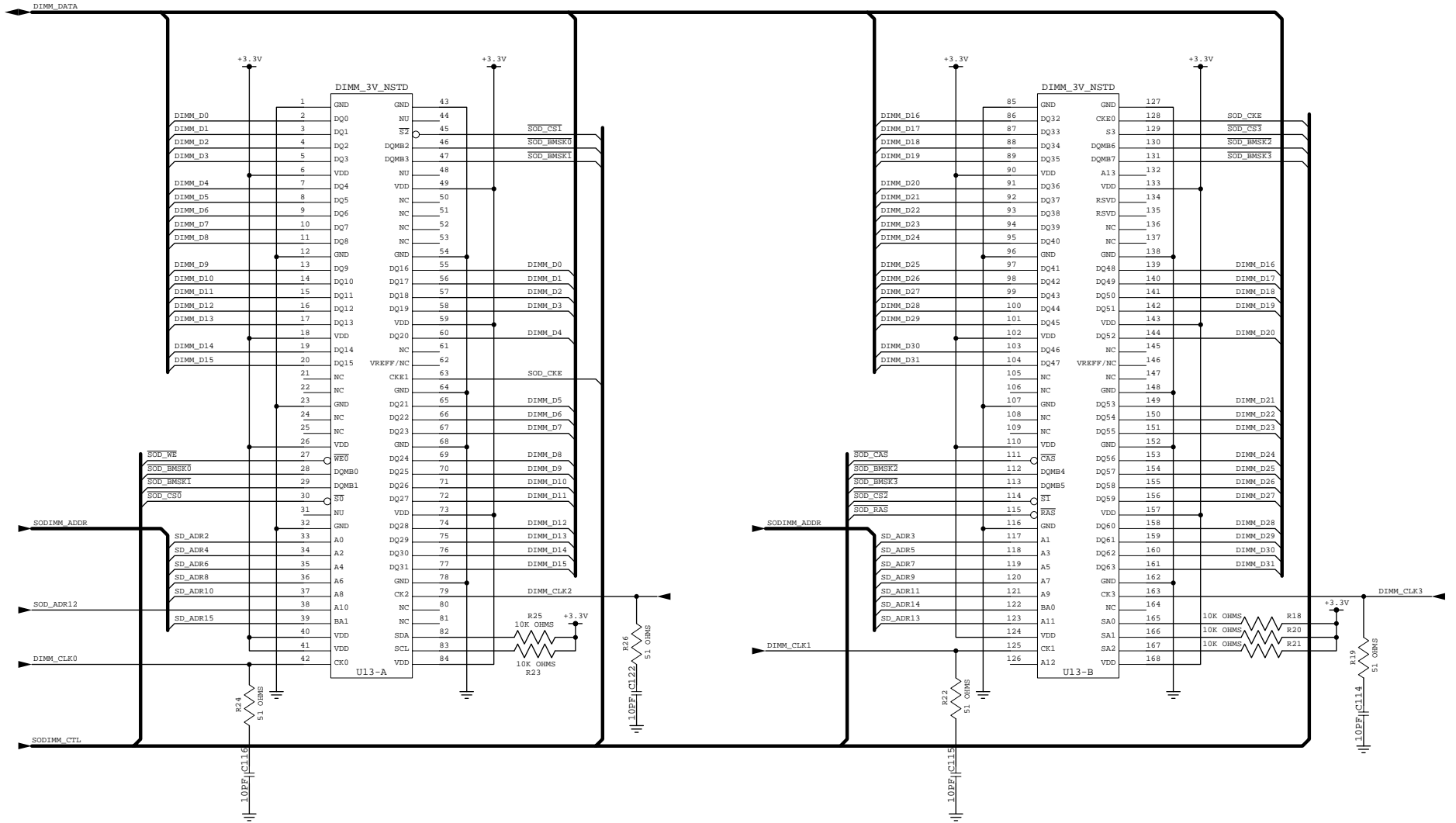
FOR SODIMM OPERATION, REMOVE W10.

CONFIDENTIAL PROPERTY OF INTEGRATED DEVICE TECHNOLOGY, INC.



SHEET TITLE:	SDRAM QUICKSWITCHES
PROJECT TITLE:	79S332/79S334A EVAL BD.
REV LEVEL:	001 PAGE NUMBER: 4 OF 23
PART NUMBER:	003-A1550-002
ENGINEER'S NAME:	RITESH KAPARI/KASI
DRAWN BY:	J.A./GAIL SWAMI

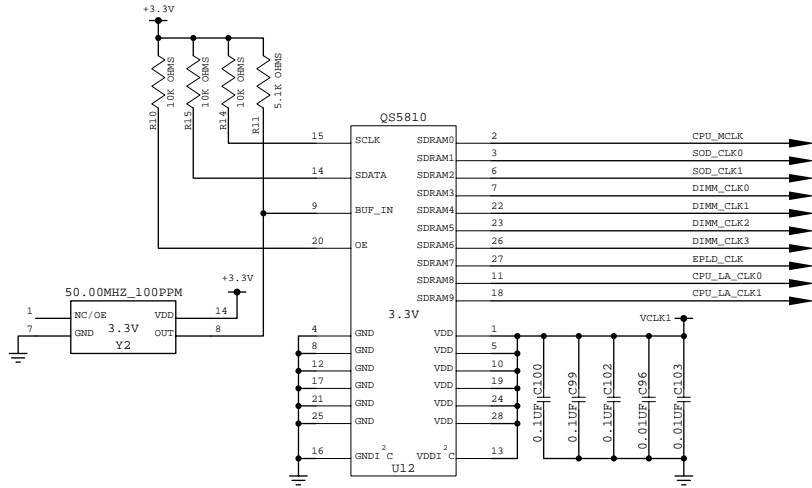
SDRAM DIMM INTERFACE



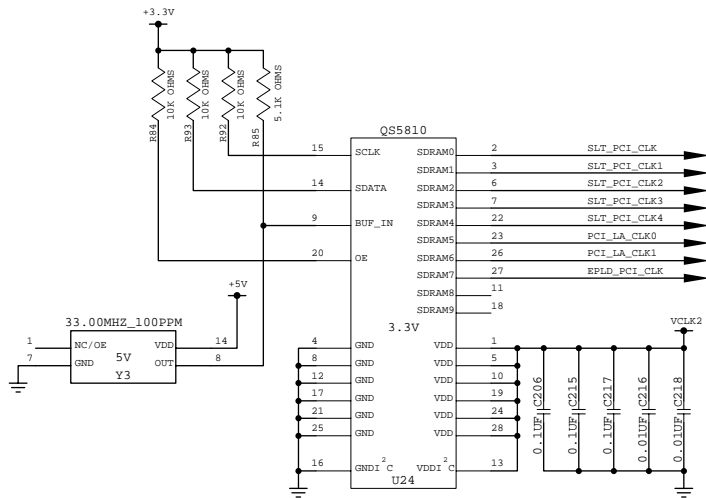
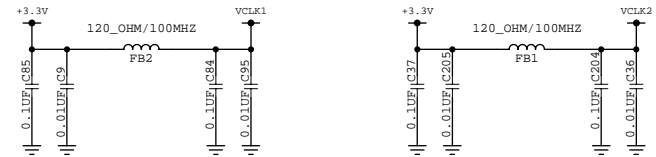
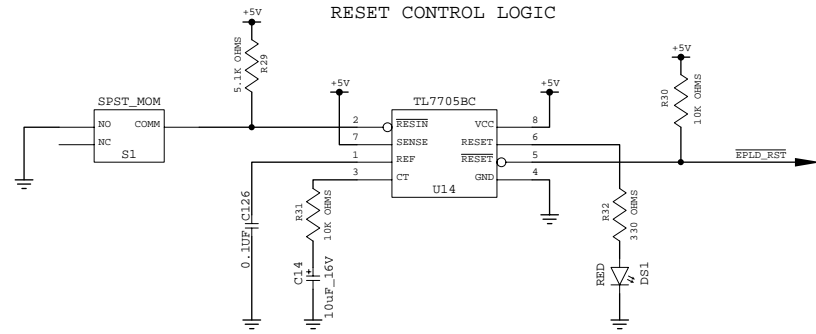
CONFIDENTIAL PROPERTY OF INTEGRATED DEVICE TECHNOLOGY, INC.



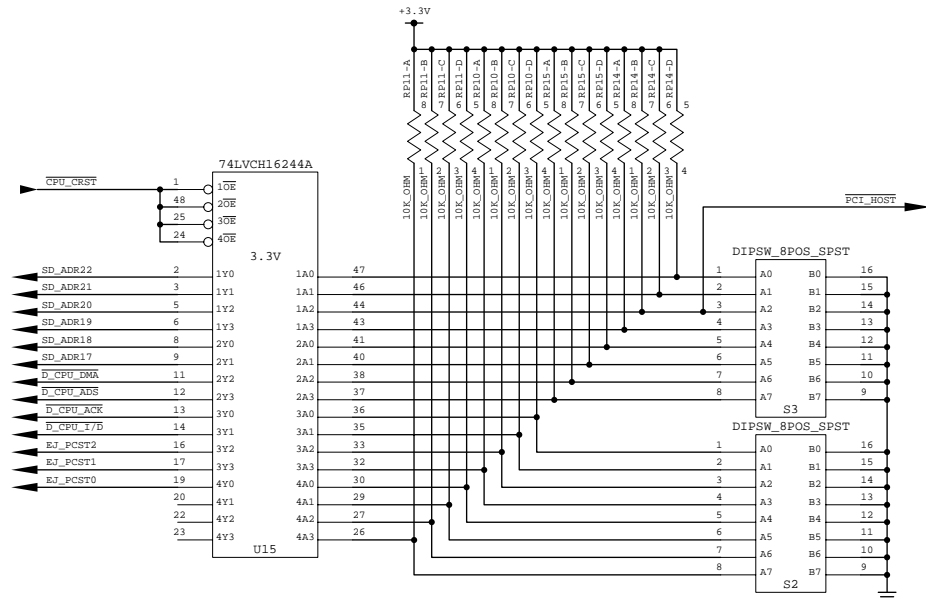
SHEET TITLE:	SDRAM DIMM
PROJECT TITLE:	79S332/79S334A EVAL BD.
REV LEVEL:	001 PAGE NUMBER: 5 OF 23
PART NUMBER:	003-A1550-002
ENGINEER'S NAME:	RITESH KAPARI/KASI
DRAWN BY:	J.A./GAIL SWAMI



CPU & SDRAM CLOCK GENERATION



PCI CLOCK GENERATION



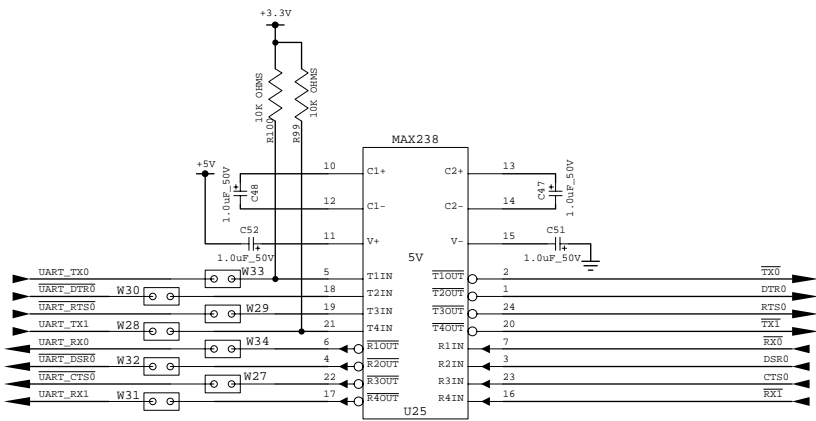
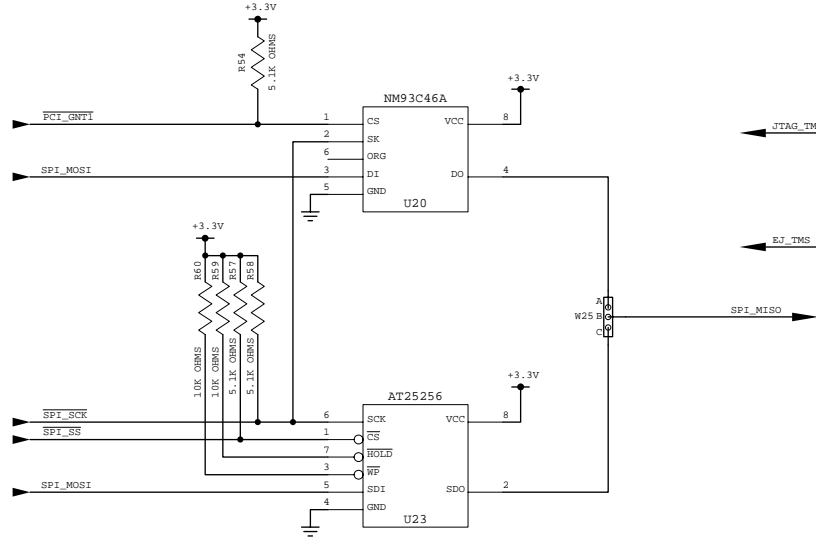
MODE BIT SETTINGS FOR CONFIGURATION

CONFIDENTIAL PROPERTY OF INTEGRATED DEVICE TECHNOLOGY, INC.



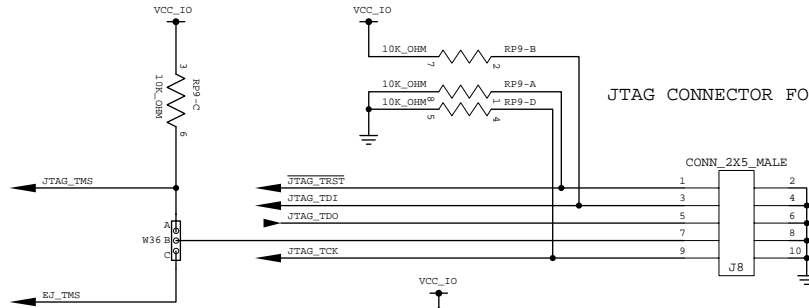
SHEET TITLE:	CLOCKS, RESET, CONFIG SW
PROJECT TITLE:	79S332/79S334A EVAL BD.
REV LEVEL:	001 PAGE NUMBER: 6 OF 23
PART NUMBER:	003-A1550-002
ENGINEER'S NAME:	RITESH KAPPAH
DRAWN BY:	J.A./GAIL SWAMI

SERIAL EEPROM INTERFACE

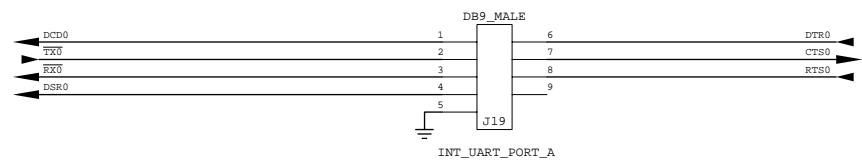
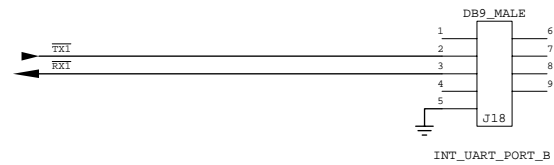
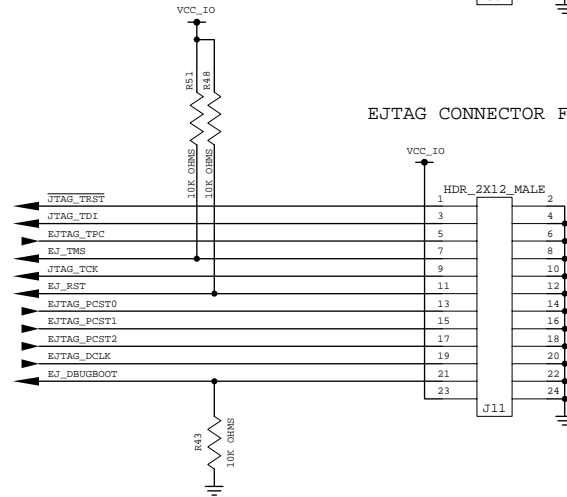


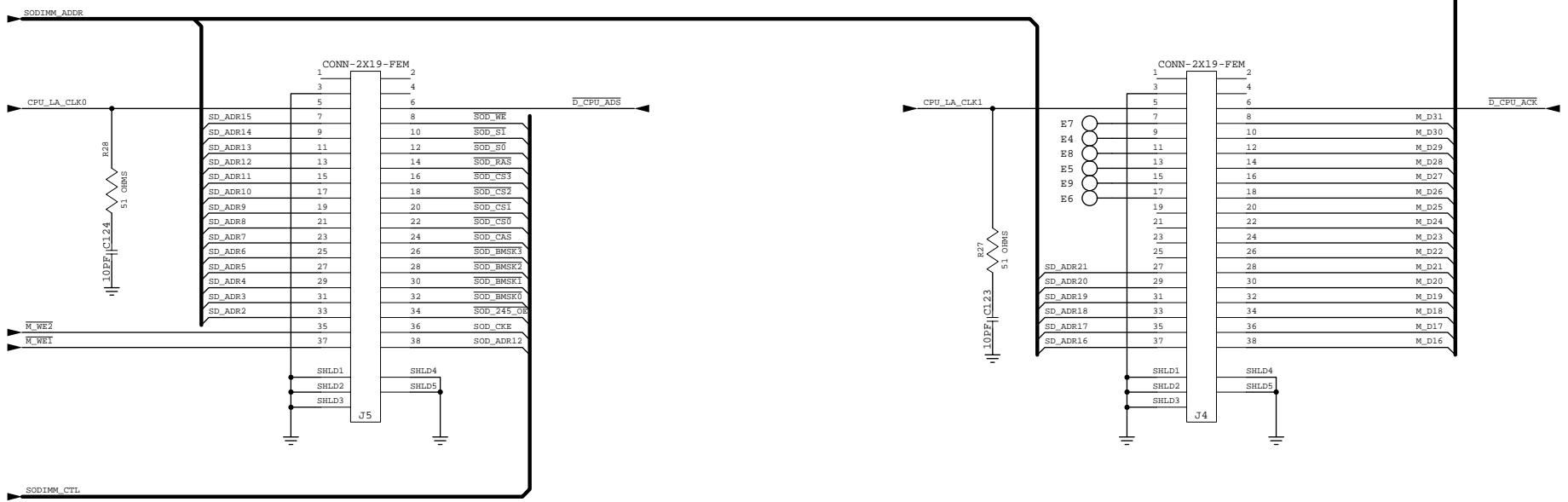
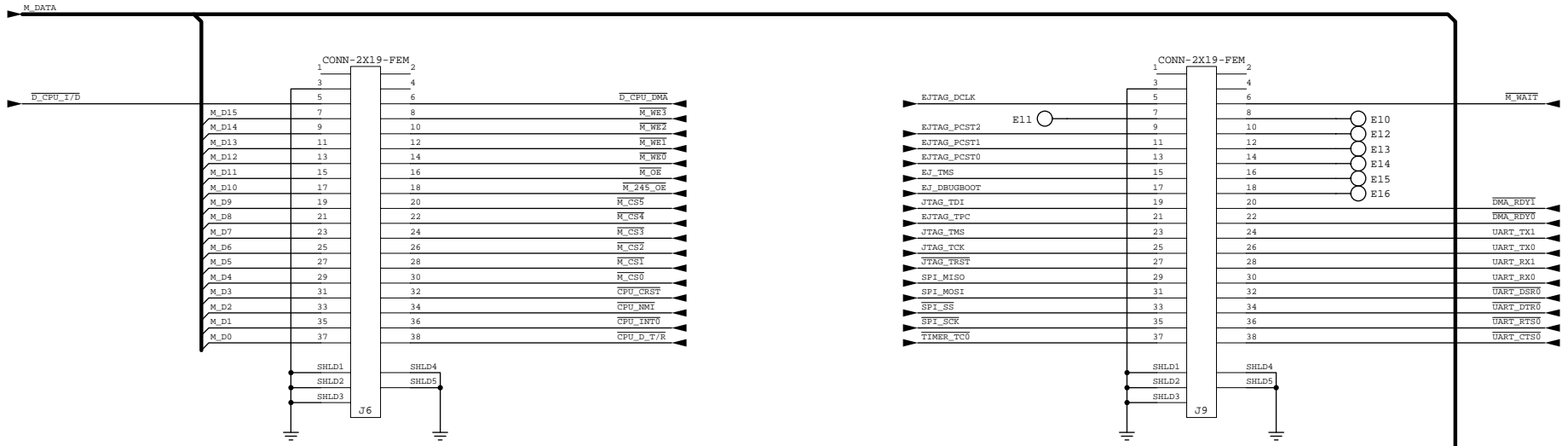
RS232 INTERFACE FOR INTERNAL UART

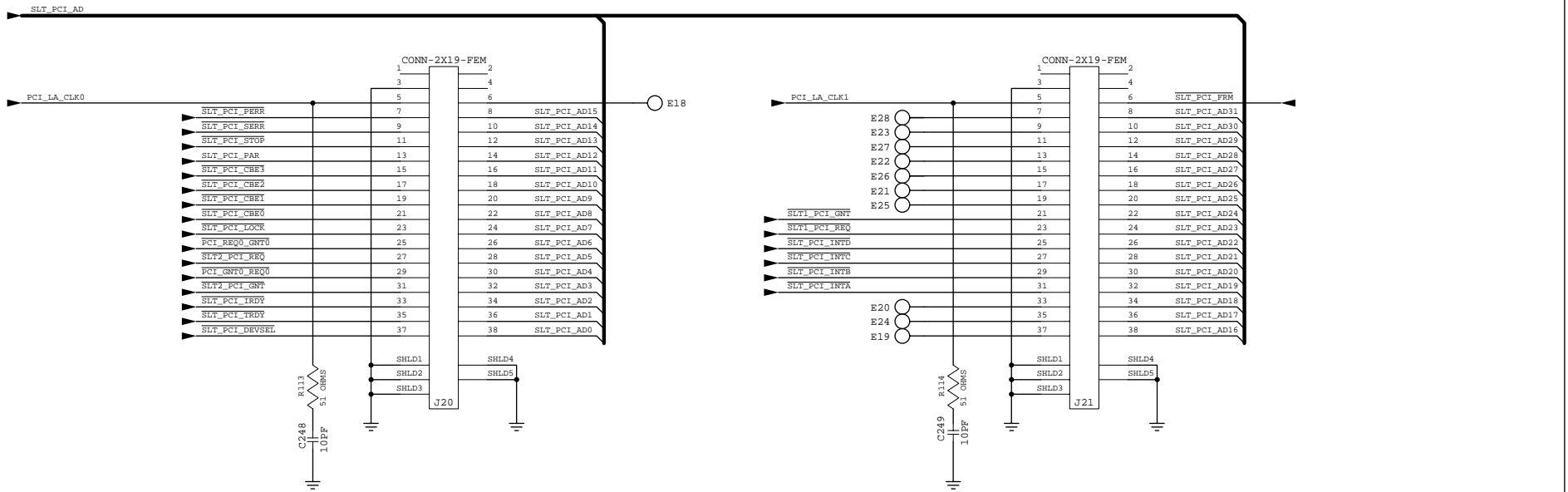
JTAG CONNECTOR FOR CPU

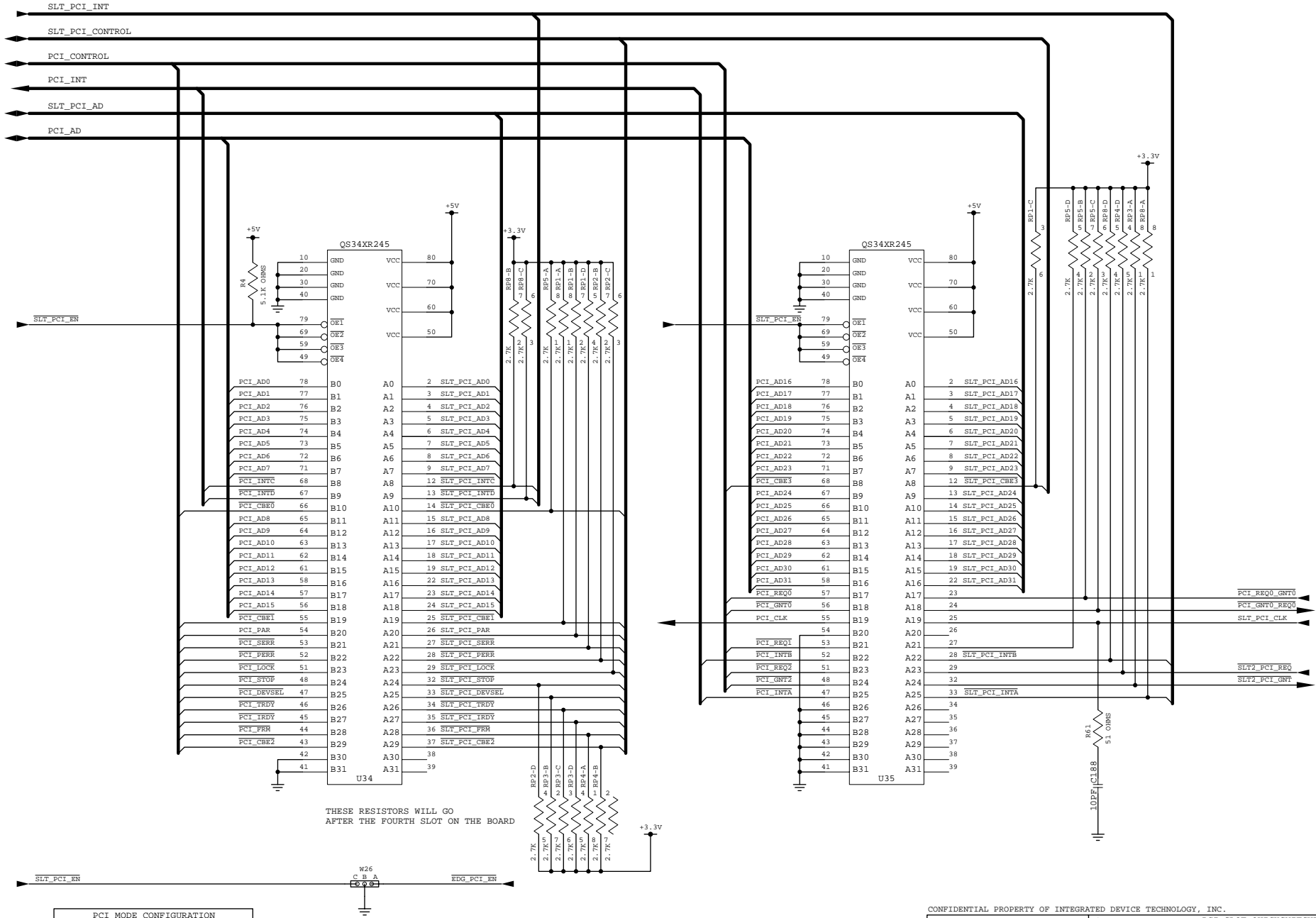


EJTAG CONNECTOR FOR CPU









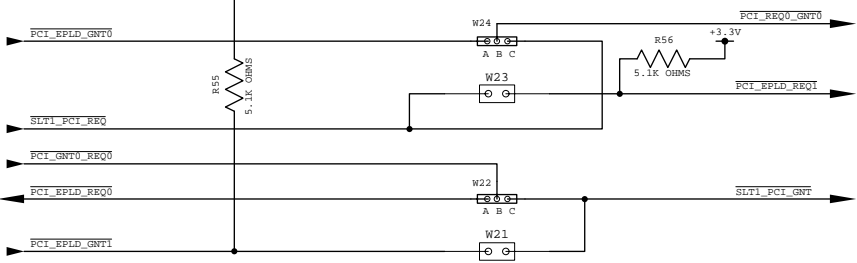
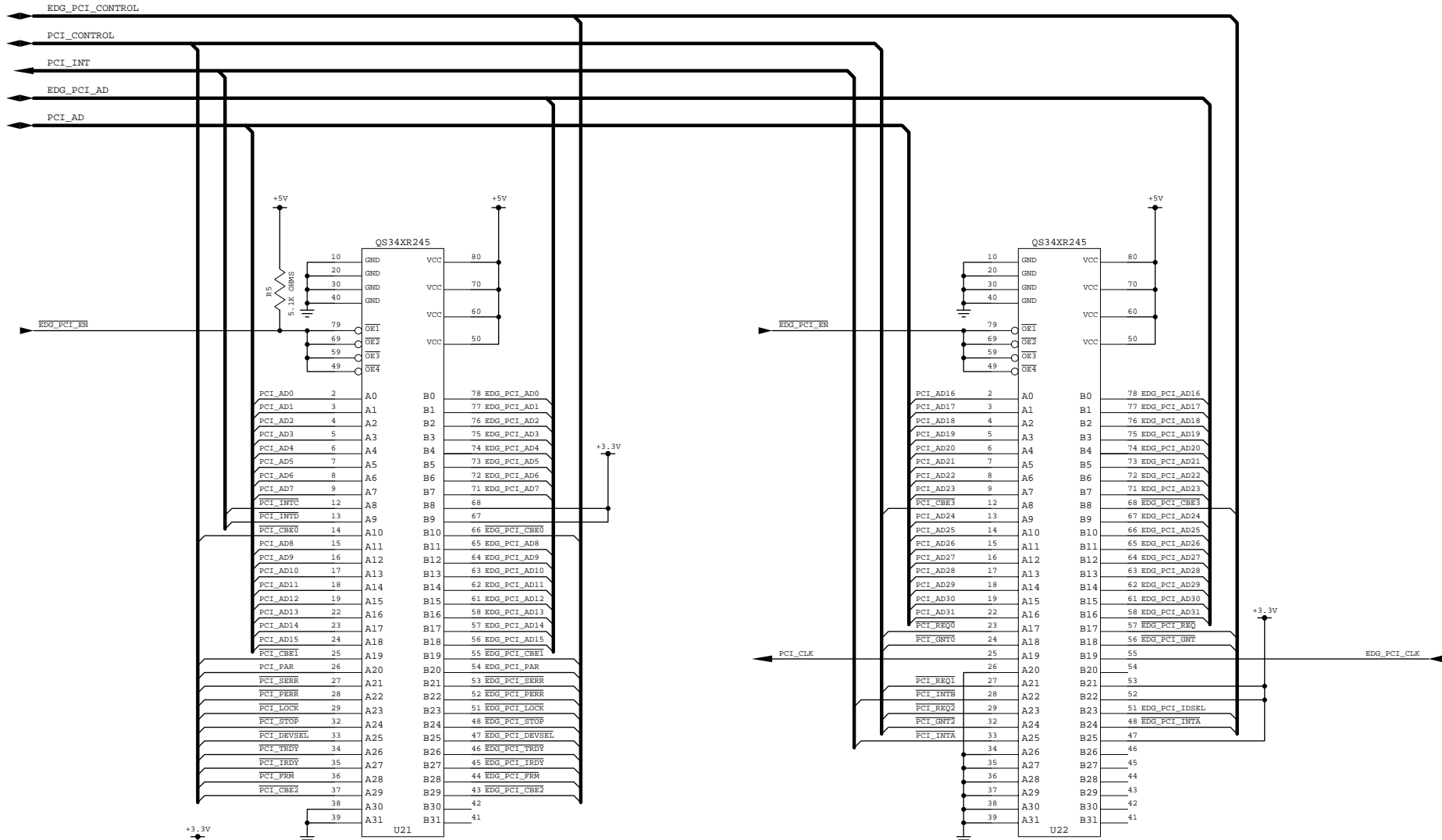
PCI MODE CONFIGURATION	
HOST MODE (SLOT)	W26 B:C
SATELLITE MODE (EDGE)	W26 A:B

QUICKSWITCHES FOR PCI HOST MODE

CONFIDENTIAL PROPERTY OF INTEGRATED DEVICE TECHNOLOGY, INC.




SHEET TITLE:	PCI SLOT QUICKSWITCHES
PROJECT TITLE:	79S332/79S334A EVAL BD.
REV LEVEL:	001 PAGE NUMBER: 10 OF 23
PART NUMBER:	003-A1550-002
ENGINEER'S NAME:	RITESH KAPAH/KASI
DRAWN BY:	J.A./GAIL SWAMI



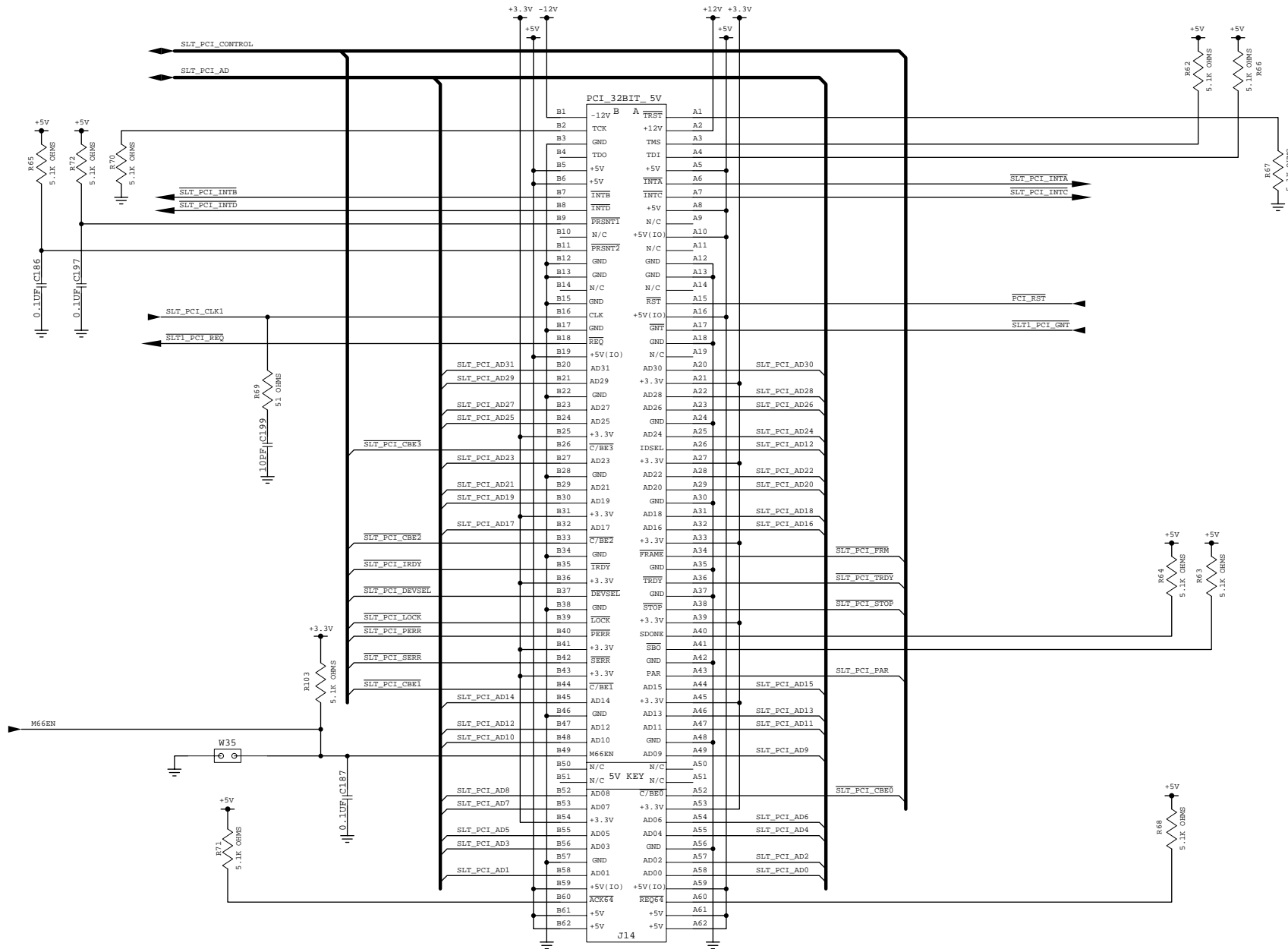
CPU ARBITER CONFIGURATION				
	W21	W22	W23	W24
INTERNAL ARBITER	NOT INSTALLED	B:C	NOT INSTALLED	B:C
EXTERNAL ARBITER	INSTALLED	A:B	INSTALLED	A:B

QUICKSWITCHES FOR PCI SATELLITE MODE

CONFIDENTIAL PROPERTY OF INTEGRATED DEVICE TECHNOLOGY, INC.



SHEET TITLE:	PCI EDG CONN QUICKSWITCHES
PROJECT TITLE:	79S332/79S334A EVAL BD.
REV LEVEL:	001 PAGE NUMBER: 11 OF 23
PART NUMBER:	003-A1550-002
ENGINEER'S NAME:	RITESH KAPAH/KASI
DRAWN BY:	J.A./GAIL SWAMI

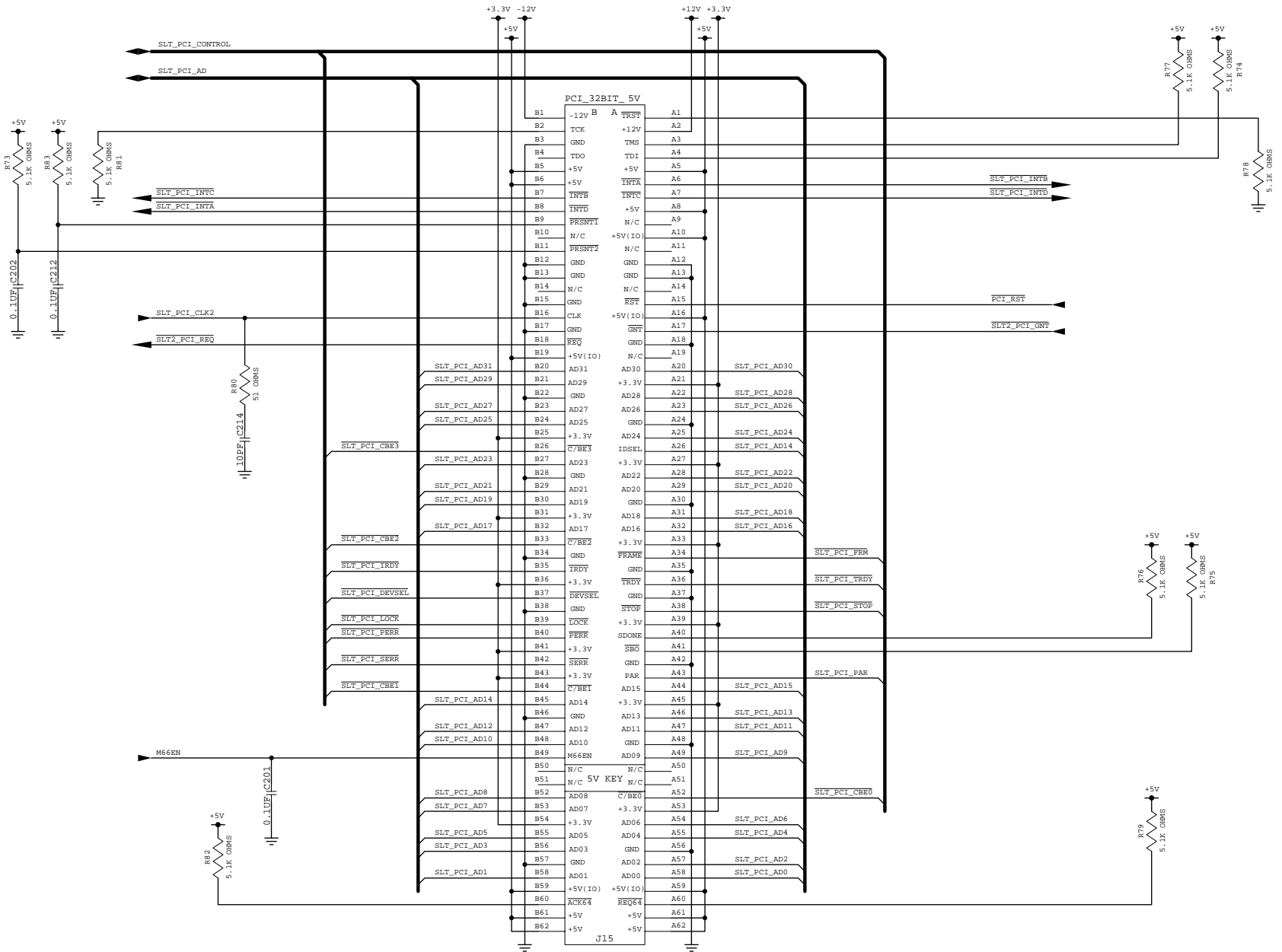


+5V PCI CONNECTOR-1

CONFIDENTIAL PROPERTY OF INTEGRATED DEVICE TECHNOLOGY, INC.



SHEET TITLE:	PCI SLOT 1
PROJECT TITLE:	79S332/79S334A EVAL BD.
REV LEVEL:	001 PAGE NUMBER: 12 OF 23
PART NUMBER:	003-A1550-002
ENGINEER'S NAME:	RITESH KAPAH/KASI
DRAWN BY:	J.A./GAIL SWAMI

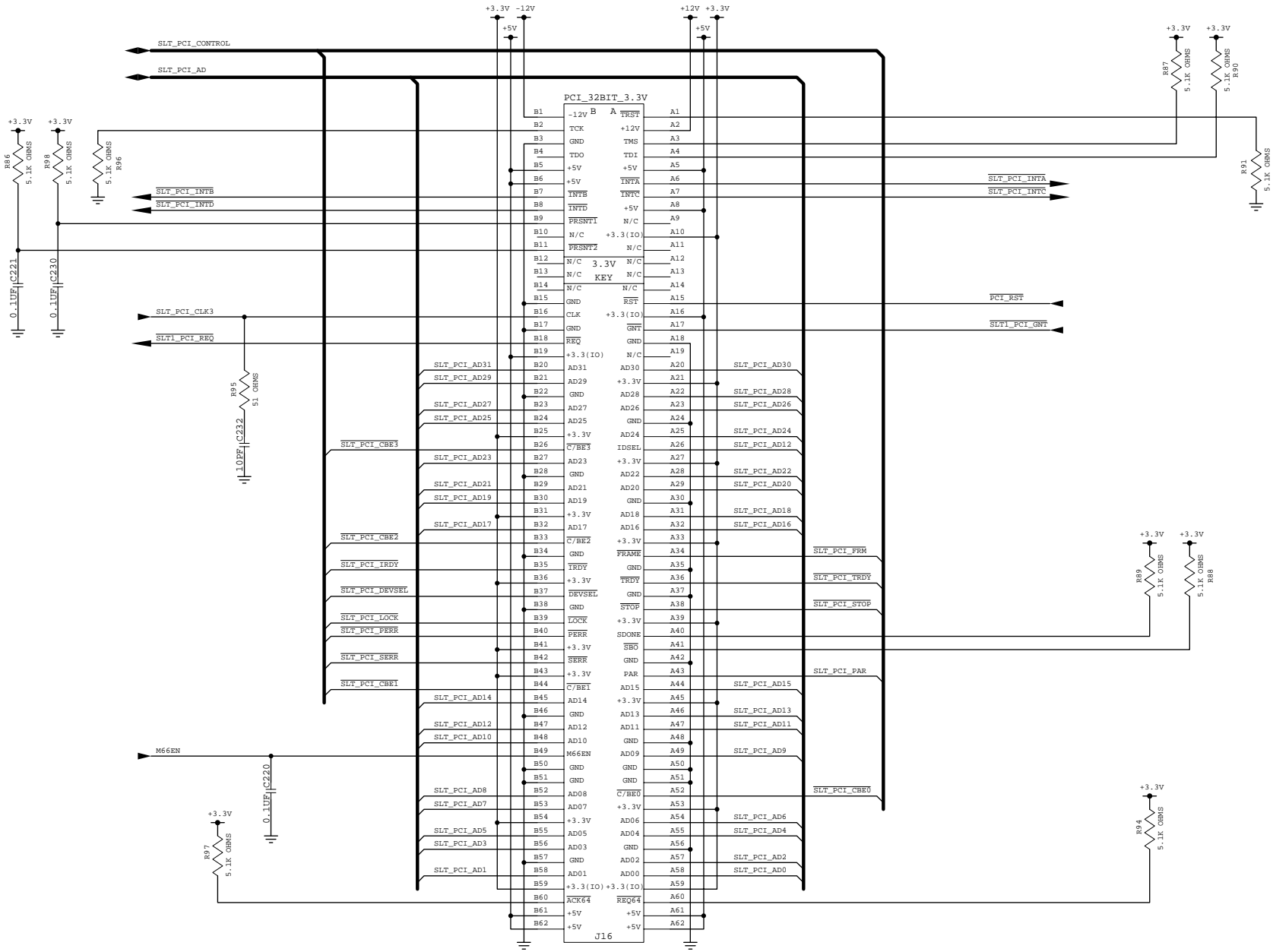


+5V PCI CONNECTOR-2

CONFIDENTIAL PROPERTY OF INTEGRATED DEVICE TECHNOLOGY, INC.



SHEET TITLE:	PCI SLOT 2
PROJECT TITLE:	79S332/79S334A EVAL BD.
REV LEVEL:	001 PAGE NUMBER: 13 OF 23
PART NUMBER:	003-A1550-002
ENGINEER'S NAME:	RITESH KAPAL/KASI
DRAWN BY:	J.A./GAIL SWAMI

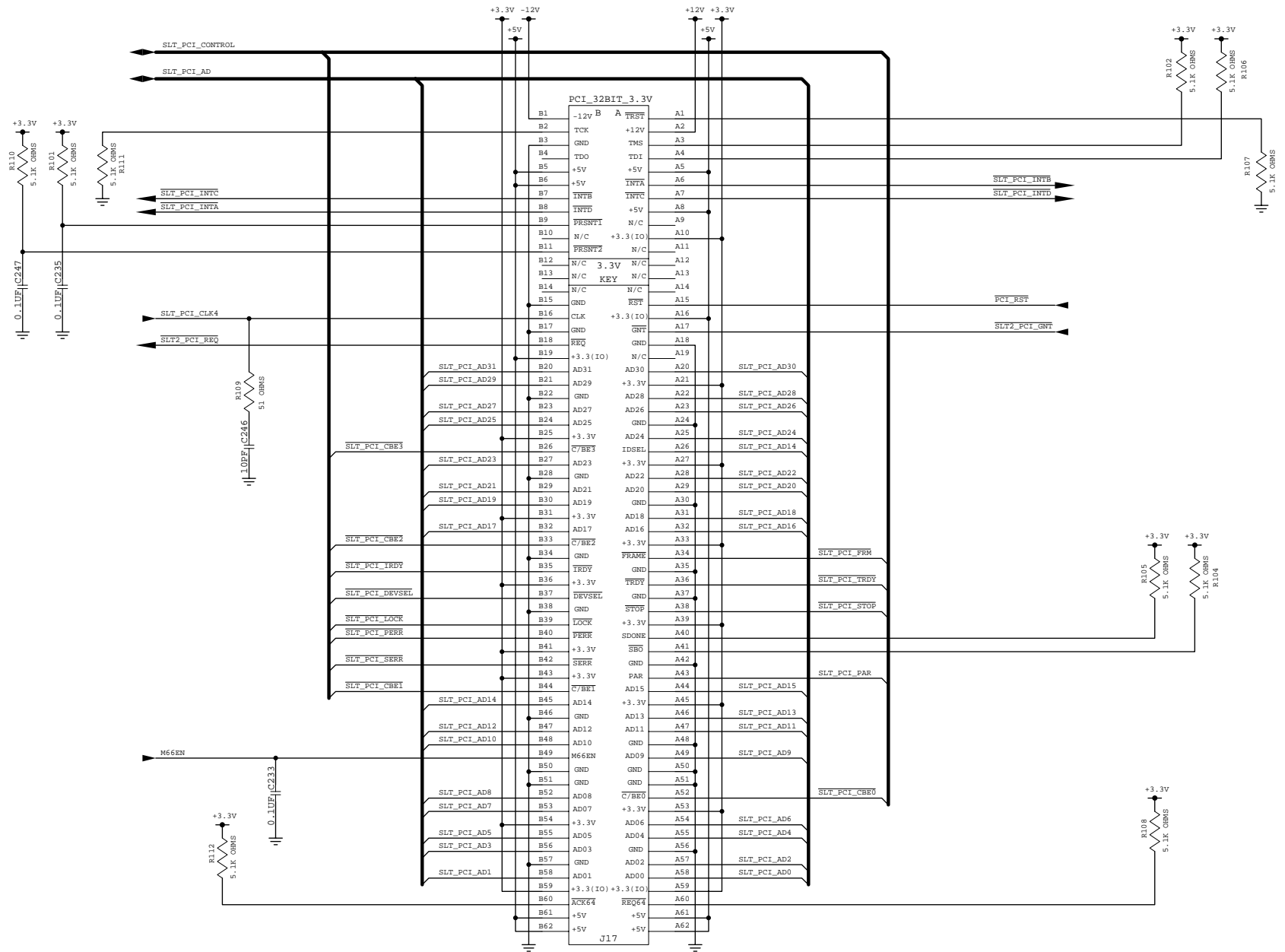


+3.3V PCI CONNECTOR-1

CONFIDENTIAL PROPERTY OF INTEGRATED DEVICE TECHNOLOGY, INC.



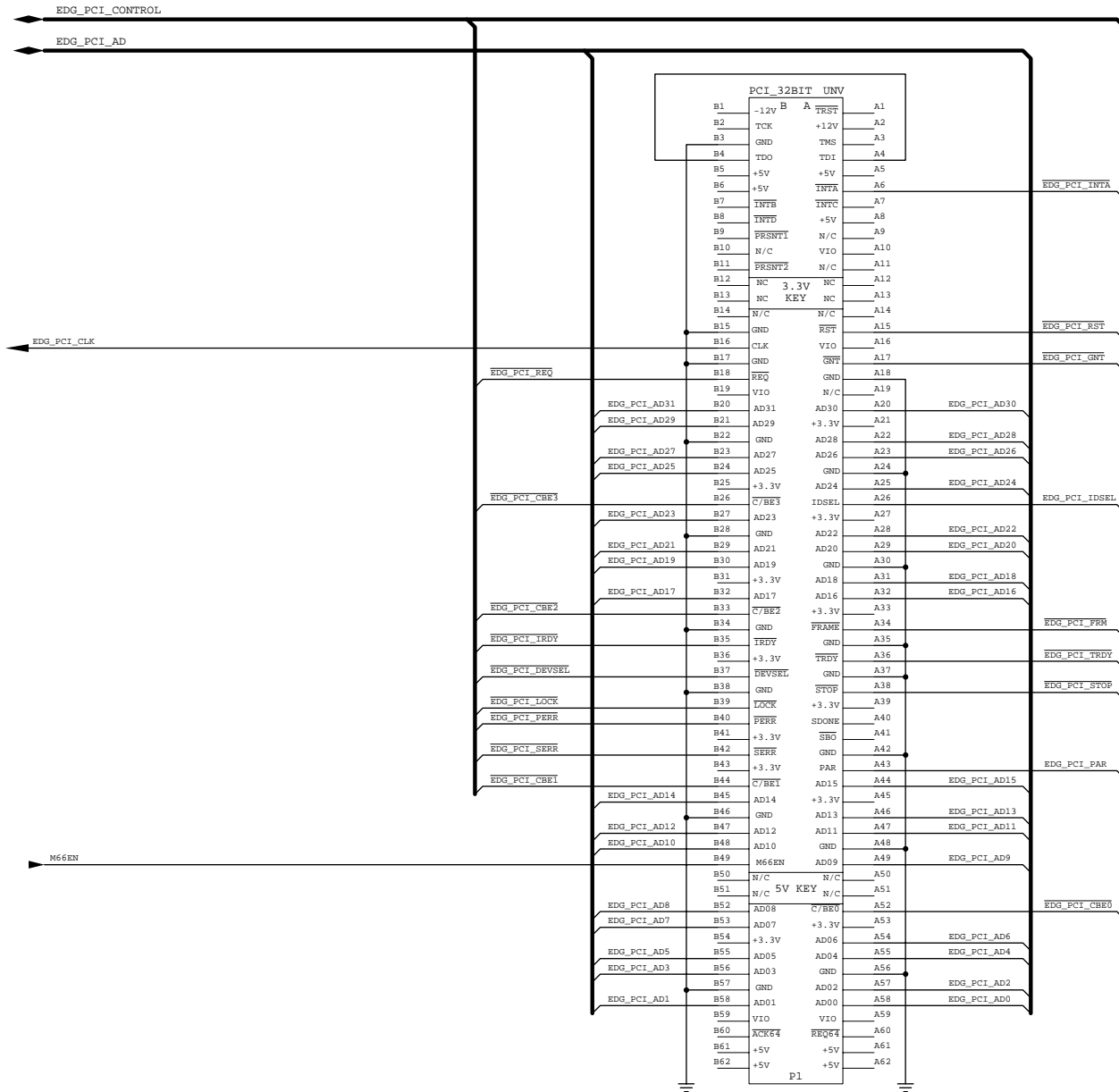
SHEET TITLE:	PCI SLOT 3
PROJECT TITLE:	79S332/79S334A EVAL BD.
REV LEVEL:	001 PAGE NUMBER: 14 OF 23
PART NUMBER:	003-A1550-002
ENGINEER'S NAME:	RITESH KAPAI/KASI
DRAWN BY:	J.A./GAIL SWAMI



+3.3V PCI CONNECTOR-2

CONFIDENTIAL PROPERTY OF INTEGRATED DEVICE TECHNOLOGY, INC.

	SHEET TITLE: PCI SLOT 4
	PROJECT TITLE: 79S332/79S334A EVAL BD.
	REV LEVEL: 001 PAGE NUMBER: 15 OF 23
	PART NUMBER: 003-A1550-002
	ENGINEER'S NAME: RITESH KAPPAH/KASI
DRAWN BY: J.A./GAIL SWAMI	



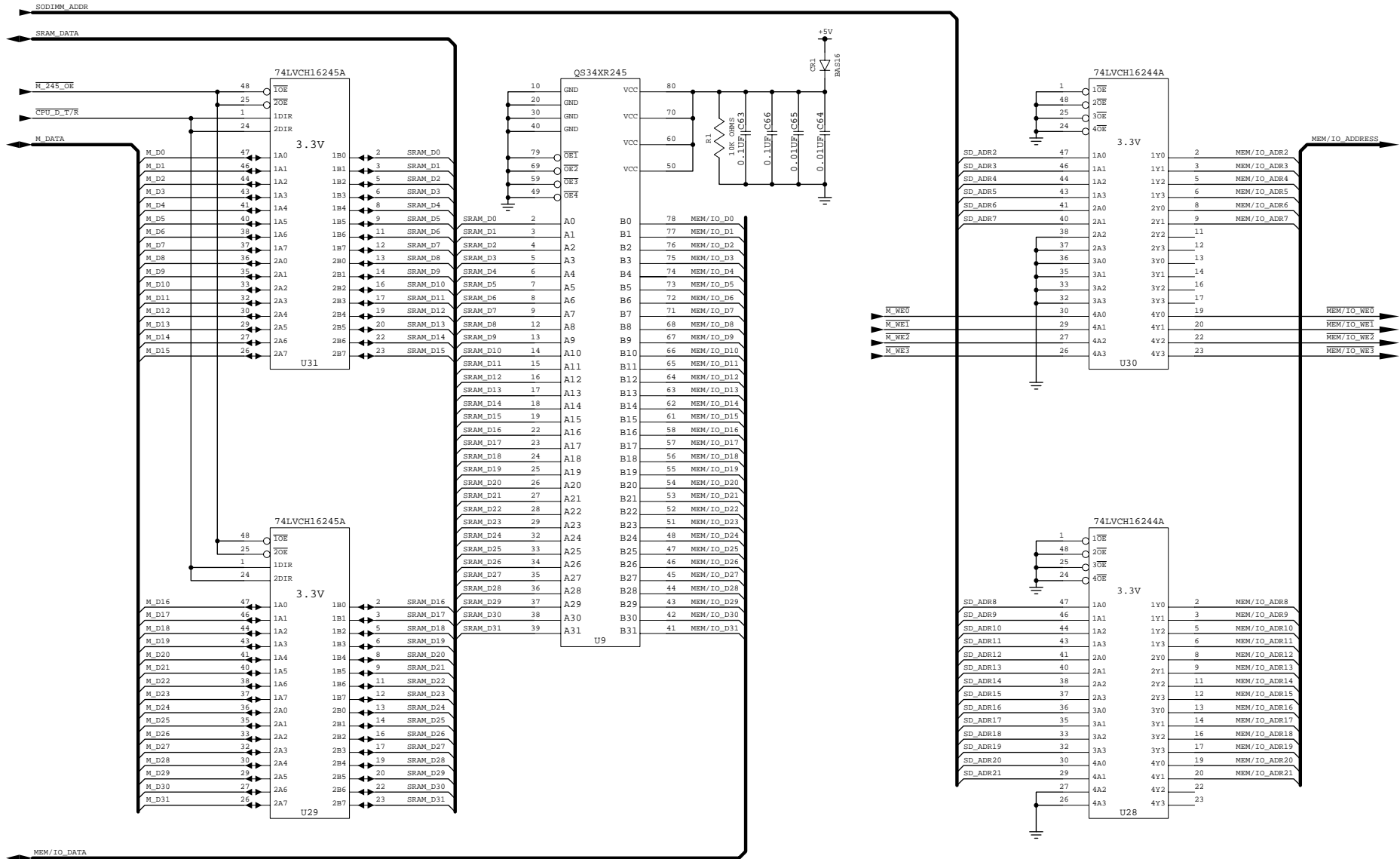
NOTE :

+5V, +3.3V, +12V AND -12V ARE NOT CONNECTED TO THE EDGE CONNECTOR. FOR SATELLITE MODE OPERATION, USE EXTERNAL SUPPLY CONNECTOR J13.

PCI UNIVERSAL EDGE CONNECTOR

CONFIDENTIAL PROPERTY OF INTEGRATED DEVICE TECHNOLOGY, INC.

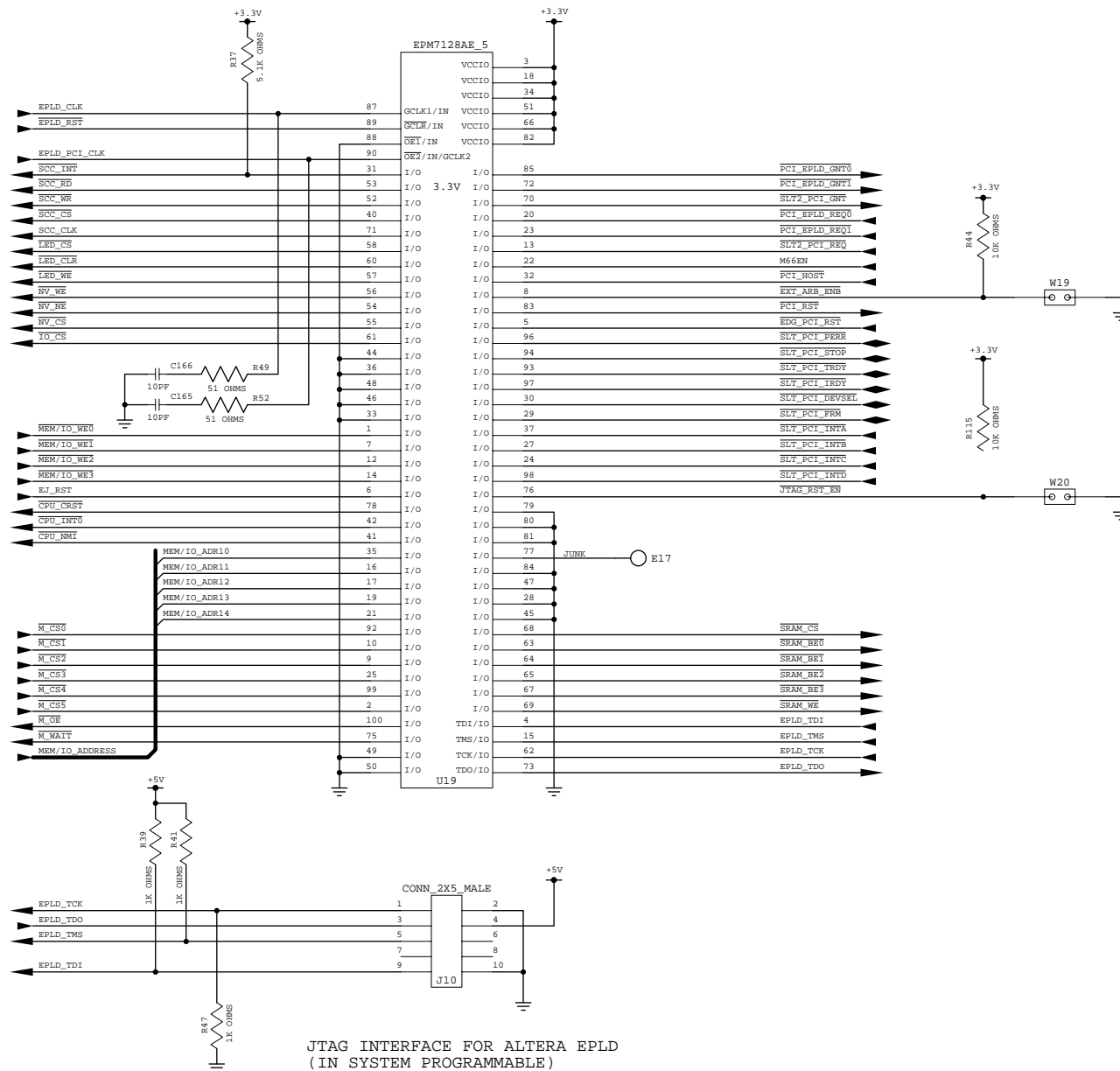
	SHEET TITLE: PCI EDG CONN
	PROJECT TITLE: 79S332/79S334A EVAL BD.
	REV LEVEL: 001 PAGE NUMBER: 16 OF 23
	PART NUMBER: 003-A1550-002
	ENGINEER'S NAME: RITESH KAPAH/KASI
DRAWN BY: J.A./GAIL SWAMI	



CPU DATA AND ADDRESS BUFFERS

CONFIDENTIAL PROPERTY OF INTEGRATED DEVICE TECHNOLOGY, INC.

	SHEET TITLE: DATA, ADDRESS BUFFERS
	PROJECT TITLE: 79S332/79S334A EVAL BD.
	REV LEVEL: 001 PAGE NUMBER: 17 OF 23
	PART NUMBER: 003-A1550-002
	ENGINEER'S NAME: RITESH KAPARI/KASI
DRAWN BY: J.A./GAIL SWAMI	



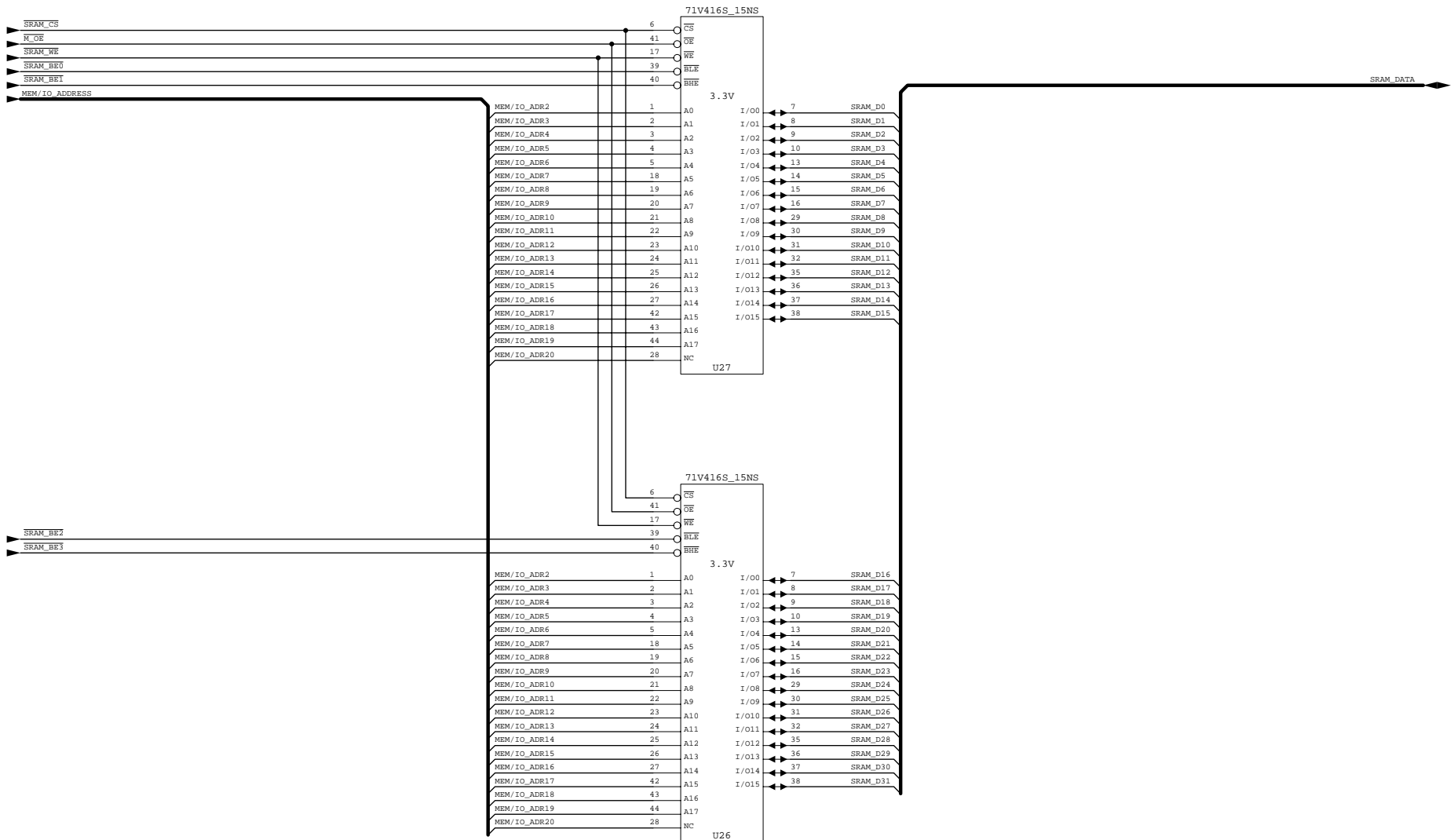
JTAG INTERFACE FOR ALTERA EPLD
(IN SYSTEM PROGRAMMABLE)

EPLD

CONFIDENTIAL PROPERTY OF INTEGRATED DEVICE TECHNOLOGY, INC.



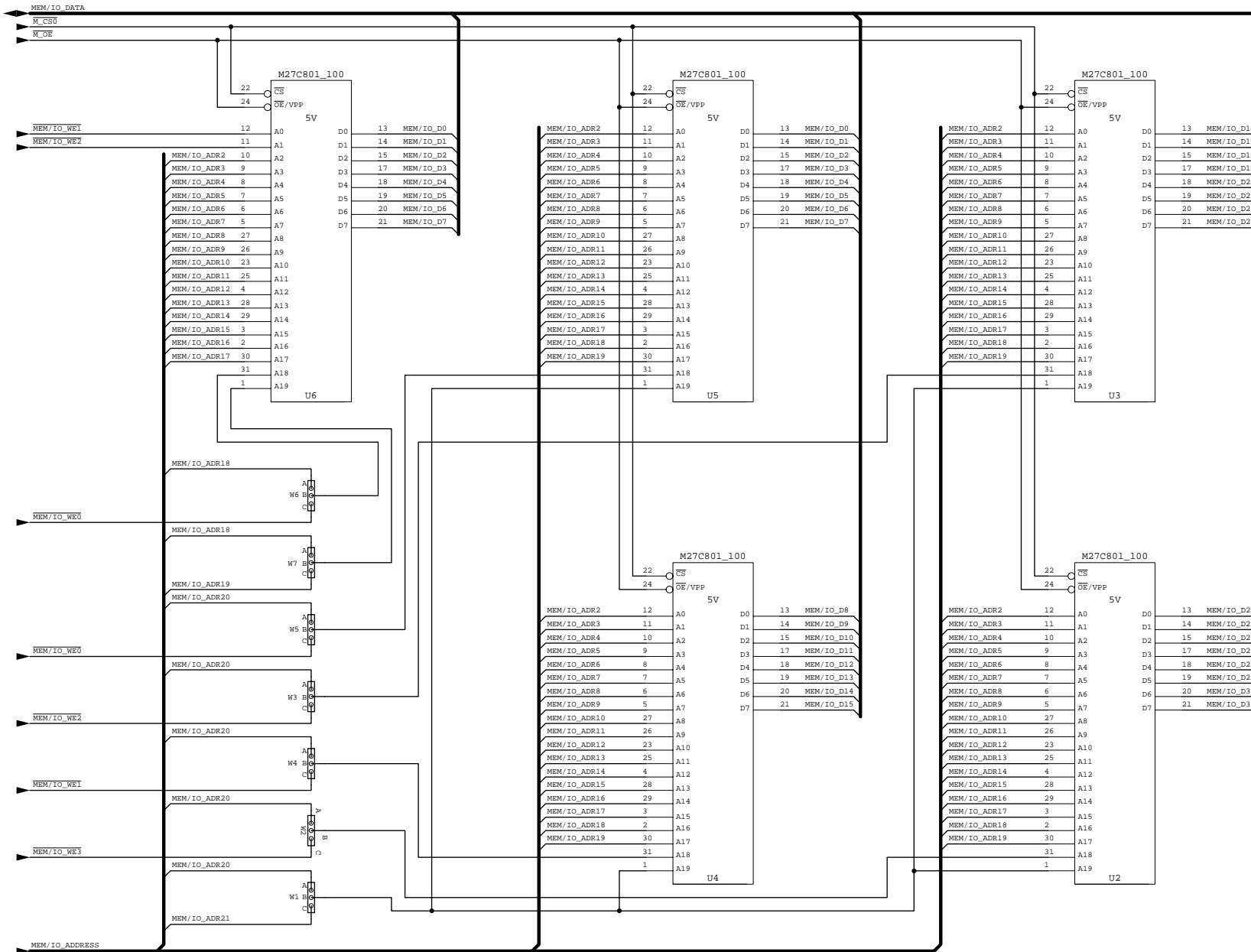
SHEET TITLE:	EPLD
PROJECT TITLE:	79S332/79S334A EVAL BD.
REV LEVEL:	001 PAGE NUMBER: 18 OF 23
PART NUMBER:	003-A1550-002
ENGINEER'S NAME:	RITESH KAPAH/KASI
DRAWN BY:	J.A./GAIL SWAMI



SRAM INTERFACE

CONFIDENTIAL PROPERTY OF INTEGRATED DEVICE TECHNOLOGY, INC.

	SHEET TITLE: SRAM
	PROJECT TITLE: 79S332/79S334A EVAL BD.
	REV LEVEL: 001 PAGE NUMBER: 19 OF 23
	PART NUMBER: 003-A1550-002
	ENGINEER'S NAME: RITESH KAPAH/KASI
DRAWN BY: J.A./GAIL SWAMI	

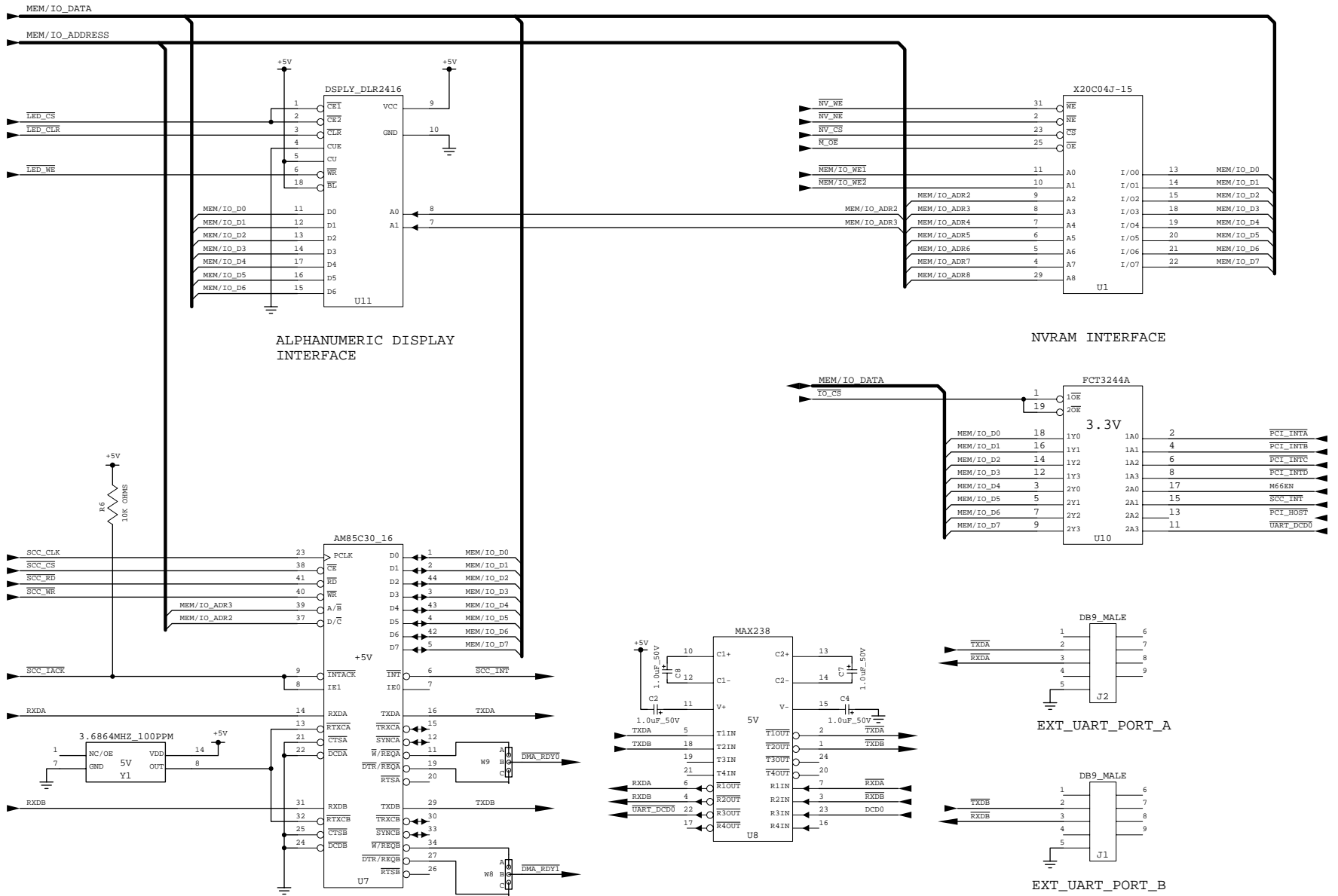


EPROM/FLASH INTERFACE

CONFIDENTIAL PROPERTY OF INTEGRATED DEVICE TECHNOLOGY, INC.



SHEET TITLE:	EPROM/FLASH MEMORY
PROJECT TITLE:	79S332/79S334A EVAL BD.
REV LEVEL:	001 PAGE NUMBER: 20 OF 23
PART NUMBER:	003-A1550-002
ENGINEER'S NAME:	RITESH KAPAH/KASI
DRAWN BY:	J.A./GAIL SWAMI



ALPHANUMERIC DISPLAY INTERFACE

NVRAM INTERFACE

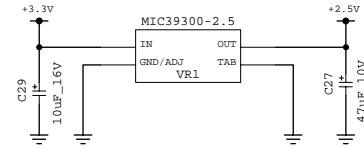
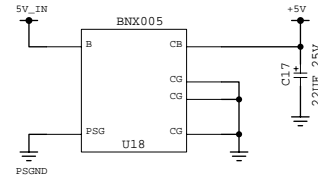
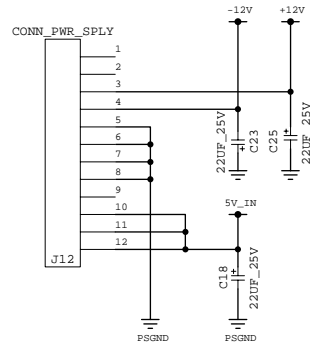
EXTERNAL UART INTERFACE

EXT_UART_PORT_A

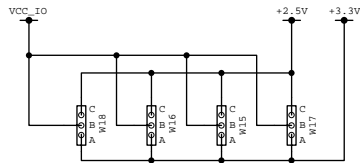
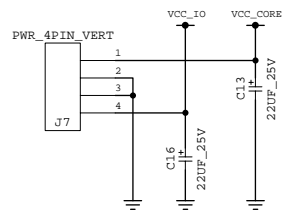
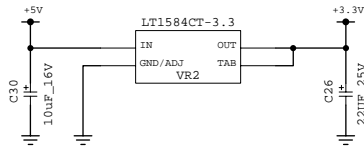
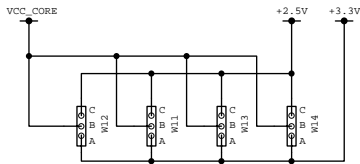
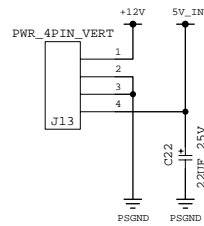
EXT_UART_PORT_B

CONFIDENTIAL PROPERTY OF INTEGRATED DEVICE TECHNOLOGY, INC.	
	SHEET TITLE: DISPLAY, NVRAM, EXT UART
	PROJECT TITLE: 79S332/79S334A EVAL BD.
	REV LEVEL: 001 PAGE NUMBER: 21 OF 23
	PART NUMBER: 003-A1550-002
	ENGINEER'S NAME: RITESH KAPAH/KASI
DRAWN BY: J.A./GAIL SWAMI	

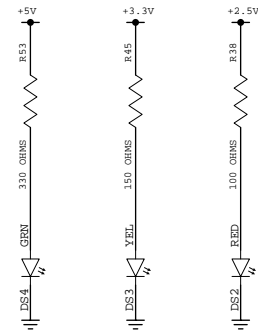
AT POWER SUPPLY CONNECTOR FOR PCI HOST MODE



PCI CONNECTOR FOR SATELLITE MODE

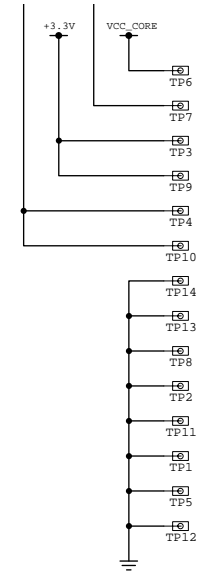
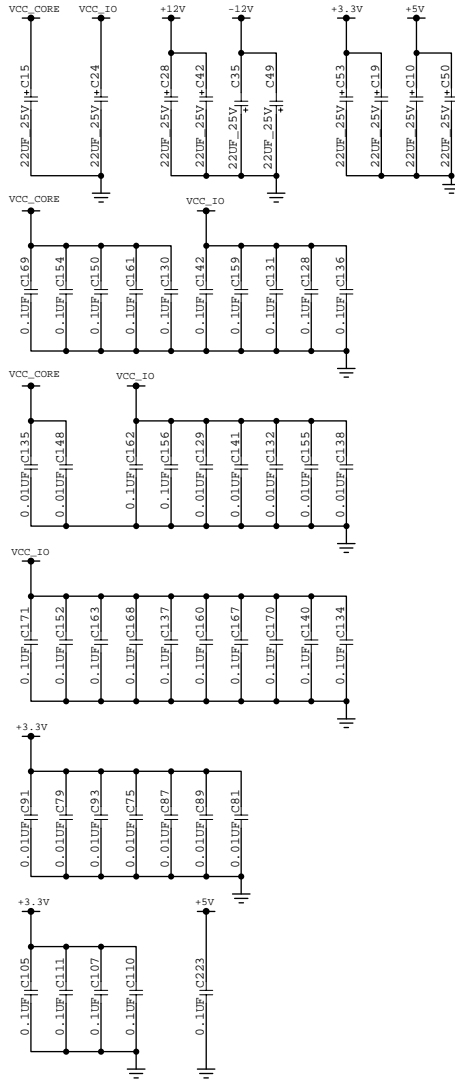
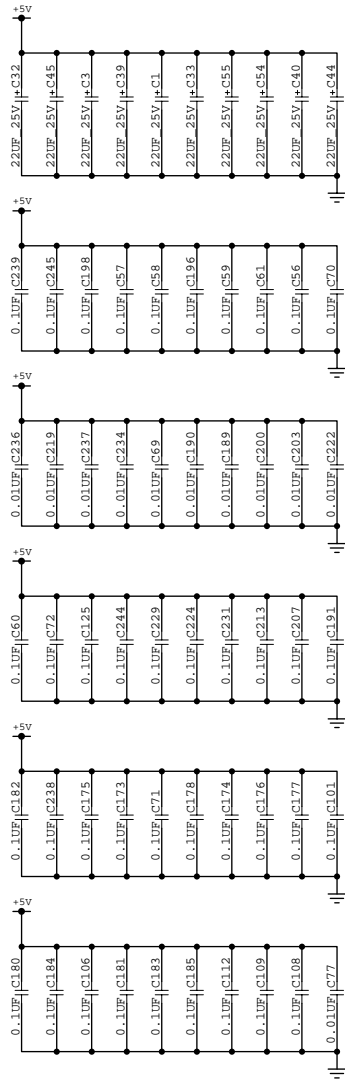
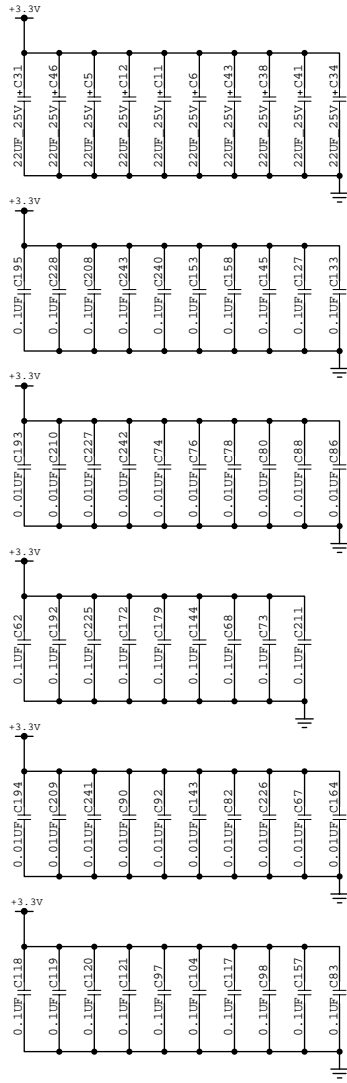


POWER-ON LED'S




CPU VOLTAGE CONFIGURATION	
VCC_CORE: +2.5V	W11 - W14 B:C
VCC_CORE: +3.3V	W11 - W14 A:B
VCC_IO: +2.5V	W15 - W18 B:C
VCC_IO: +3.3V	W15 - W18 A:B

CONNECTOR FOR VARIABLE POWER SUPPLY



- FD14 FD9 FD11 FD13 FD18
- FD16 FD10 FD12 FD15 FD17
- FD2 FD3 FD7 FD5 FD19
- FD1 FD4 FD8 FD6 FD20
- MT02 MT06 MT07 FD23 FD22
- MT08 MT04 MT05 FD24 FD25
- 21 MT01 MT03 FD26 FD21

CONFIDENTIAL PROPERTY OF INTEGRATED DEVICE TECHNOLOGY, INC.



SHEET TITLE:	BYPASS CAPACITORS
PROJECT TITLE:	79S332/79S334A EVAL BD.
REV LEVEL:	001 PAGE NUMBER: 23 OF 23
PART NUMBER:	003-A1550-002
ENGINEER'S NAME:	RITESH KAPAH/KASI
DRAWN BY:	J.A./GAIL SWAMI

Notes



EPLD Equation

Notes

SYSCONSTG

```

-- *****
-- * Author: Viswanadha Rao Chopperla (KASI) *
-- * Company: IDT Inc., *
-- * Part No: (EPM7128AETC100-5) *
-- * Project: 79S332 EVALUATION BOARD *
-- * Language: AHDL *
-- * Logic : This logic consists of *
-- *     1. Reset (EJTAG) *
-- *     2. Interrupt Logic *
-- *     3. SRAM Control *
-- *     5. LED Control *
-- *     6. NVRAM Control *
-- *     7. Ext. PCI bus ARB *
-- *     8. uart pclk gen *
-- * *
-- *****

-- Title Statement (optional)
TITLE "sysconstg";

-- Subdesign Section
SUBDESIGN SYSCONSTG
(
    ep1d_clk           : INPUT;
    ep1d_rst_n        : INPUT;
    ep1d_pci_clk      : INPUT;
    scc_int_n         : INPUT;
    scc_rd_n          : OUTPUT;
    scc_wr_n          : OUTPUT;
    scc_cs_n          : OUTPUT;
    scc_clk           : OUTPUT;
    led_cs_n          : OUTPUT;
    led_clr_n         : OUTPUT;
    led_we_n          : OUTPUT;
    nv_cs_n           : OUTPUT;
    nv_ne_n           : OUTPUT;
    nv_we_n           : OUTPUT;
    io_cs_n           : OUTPUT;
    ej_rst_n          : INPUT;
    edg_pci_rst_n     : INPUT;

```

```

cpu_crst_n           : OUTPUT;
cpu_int0_n           : OUTPUT;
cpu_nmi_n            : OUTPUT;
mem_io_adrs[14..10]  : INPUT;
m_cs_n[5..0]         : INPUT;
m_oe_n               : INPUT;
mem_io_we_n[3..0]    : INPUT;
m_wait_n             : OUTPUT;
% epld_tdi            : INPUT;
epld_tdo             : OUTPUT;
epld_tck             : INPUT;
epld_tms             : INPUT;
%
sram_cs_n            : OUTPUT;
sram_we_n            : OUTPUT;
sram_be_n[3..0]      : OUTPUT;
-- slt_pci_inta_n     : INPUT;
slt_pci_inta_n       : OUTPUT;
slt_pci_intb_n       : INPUT;
slt_pci_intc_n       : INPUT;
slt_pci_intd_n       : INPUT;
slt_pci_frm_n        : INPUT;
slt_pci_devsel_n     : INPUT;
slt_pci_irdy_n       : INPUT;
slt_pci_trdy_n       : INPUT;
slt_pci_stop_n       : INPUT;
slt_pci_perr_n       : INPUT;
pci_rst_n            : OUTPUT;
ext_arb_enb_n        : INPUT;
pci_host_n           : INPUT;
m66en                : INPUT;
slt2_pci_req_n       : INPUT;
slt2_pci_gnt_n       : OUTPUT;
pci_epld_gnt_n[1..0] : OUTPUT;
pci_epld_req_n[1..0] : INPUT;
junc                  : OUTPUT;
)

```

VARIABLE

```

cpu_crst             : DFF;
rst_dly[10..0]       : DFFE;
count[2..0]          : DFF;
osc_10mhz            : DFF;
mem_wait_tri         : TRI;
intr_tri             : TRI;
pci_gnt2_tri         : TRI;

```

```

tmp_junc                : DFF;

BEGIN

--LOGIC

DEFAULTS
    cpu_crst            = VCC;
END DEFAULTS;

--CPU_INTERRUPTS

    cpu_nmi_n           = VCC;
    --cpu_int0_n        = scc_int_n & slt_pci_inta_n & slt_pci_intb_n & slt_pci_intc_n & slt_pci_intd_n;
    cpu_int0_n          = scc_int_n;
    intr_tri.oe         = !(slt_pci_intb_n & slt_pci_intc_n & slt_pci_intd_n);
    intr_tri.in         = GND;
    slt_pci_inta_n      = intr_tri.out;

--CPU_RESET
--4/14/00 for EJTAG reset
    rst_dly[].clk       = GLOBAL(epld_clk);
    rst_dly[].clrn      = epld_rst_n & ej_rst_n;
    rst_dly[].ena       = !rst_dly[10];
    rst_dly[]           = rst_dly[] + 1;

    cpu_crst.d          = rst_dly[10];
    cpu_crst.clk        = GLOBAL(epld_clk);
    cpu_crst.clrn       = epld_rst_n & ej_rst_n & (!pci_host_n # edg_pci_rst_n);
    cpu_crst.q          = cpu_crst.q ;

-- JUNC unused
    tmp_junc.d          = m_cs_n0 # pci_epld_req_n0 # pci_epld_req_n1 # slt_pci_frm_n # slt_pci_devsel_n
                        # slt_pci_perr_n # slt_pci_trdy_n # slt_pci_irdy_n # slt_pci_stop_n # m66en
                        # slt2_pci_req_n # ext_arb_enb_n;
    tmp_junc.clk        = GLOBAL(epld_pci_clk);
    junc                = tmp_junc.q;

--SRAM
sram_we_n               = !epld_rst_n # m_cs_n1 # (mem_io_we_n3 & mem_io_we_n2 & mem_io_we_n1 & mem_io_we_n0);
sram_be_n3              = !epld_rst_n # m_cs_n1 # (mem_io_we_n3 & m_oe_n);
sram_be_n2              = !epld_rst_n # m_cs_n1 # (mem_io_we_n2 & m_oe_n);
sram_be_n1              = !epld_rst_n # m_cs_n1 # (mem_io_we_n1 & m_oe_n);
sram_be_n0              = !epld_rst_n # m_cs_n1 # (mem_io_we_n0 & m_oe_n);
sram_cs_n               = m_cs_n1;

```

--SCC

%

Base Address for chip select_5 is \$1600_0000

Soft_reset UART address is \$1600_0400 (Read this port)

Channel_B command port address is \$1600_0003

Channel_B data port address is \$1600_0007

Channel_A command port address is \$1600_000B

Channel_A data port address is \$1600_000F

%

```
scc_cs_n          = m_cs_n5;
scc_rd_n          = epld_rst_n & (m_oe_n # m_cs_n5 # mem_io_adrs14 # mem_io_adrs13
                               # mem_io_adrs12 # mem_io_adrs11 );
scc_wr_n          = epld_rst_n & (mem_io_we_n0 # m_cs_n5 # mem_io_adrs14 # mem_io_adrs13
                               # mem_io_adrs12 # mem_io_adrs11 )
                               & (m_oe_n # m_cs_n5 # mem_io_adrs14 # mem_io_adrs13 # mem_io_adrs12
                               # mem_io_adrs11 # !mem_io_adrs10);
```

-- The PCLK of SCC is approx. One sixth of epld_clk

```
count[2..0].clrn = GLOBAL(epld_rst_n);
count[2..0].clk  = GLOBAL(epld_clk);
IF count[2..0].q == 2 THEN
count[2..0].d    = 0;
ELSE
count[2..0].d    = count[2..0].q + 1;
END IF;
osc_10mhz.clrn  = GLOBAL(epld_rst_n);
osc_10mhz.d     = !osc_10mhz.q;
osc_10mhz.clk   = count[1].q;
scc_clk         = osc_10mhz.q;
```

--AN_DISPLAY/LED_DISPLAY

%

Base address for chip select_4 is \$1400_0000

Address to clear digits is \$1400_0400 (Read this port)

Address for digit0 is \$1400_000F

Address for digit1 is \$1400_0007

Address for digit2 is \$1400_000B

Address for digit3 is \$1400_0003

%

```
led_cs_n          = (!epld_rst_n # m_cs_n4 # mem_io_adrs14 # mem_io_adrs13
                               # mem_io_adrs12 # mem_io_adrs11 # mem_io_adrs10);
```



```

led_clr_n                = (!epld_rst_n # m_cs_n4 # m_oe_n # mem_io_adrs14 # mem_io_adrs13
                           # mem_io_adrs12 # mem_io_adrs11 # !mem_io_adrs10);
led_we_n                 = (!epld_rst_n # m_cs_n4 # mem_io_we_n0 # mem_io_adrs14 # mem_io_adrs13
                           # mem_io_adrs12 # mem_io_adrs11 # mem_io_adrs10);

--NV_RAM
%
Base address for chip select_3 is $1200_0000
Base address for read/write cycle is $1200_0000 (RAM operations)
Base address for recall/store cycle is $1200_0400 (Non-volatile operations)
%

nv_cs_n                  = (!epld_rst_n # m_cs_n3 # mem_io_adrs14 # mem_io_adrs13
                           # mem_io_adrs12 # mem_io_adrs11);
nv_ne_n                  = (!epld_rst_n # m_cs_n3 # mem_io_adrs14 # mem_io_adrs13
                           # mem_io_adrs12 # mem_io_adrs11 # !mem_io_adrs10);
nv_we_n                  = (!epld_rst_n # m_cs_n3 # mem_io_adrs14 # mem_io_adrs13
                           # mem_io_adrs12 # mem_io_adrs11 # mem_io_we_n0);

--IO_INTERRUPTS_SOURCE
%
Base address for chip select_2 is $1000_0000
%
io_cs_n                   = (!epld_rst_n # m_oe_n # m_cs_n2 # mem_io_adrs14 # mem_io_adrs13
                           # mem_io_adrs12 # mem_io_adrs11 # mem_io_adrs10);

--WAIT_CONTROL
m_wait_n                  = mem_wait_tri;
mem_wait_tri.oe           = vcc;
mem_wait_tri              = vcc;

--PCI_CLK

pci_rst_n                 = cpu_crst.q & ej_rst_n & (!pci_host_n # edg_pci_rst_n);
pci_epld_gnt_n[1..0]     = VCC;
--slt2_pci_gnt_n         = VCC;
pci_gnt2_tri.in           = GND;
pci_gnt2_tri.oe           = !ext_arb_enb_n;
slt2_pci_gnt_n            = pci_gnt2_tri.out;

END;
```


IMPORTANT NOTICE AND DISCLAIMER

RENESAS ELECTRONICS CORPORATION AND ITS SUBSIDIARIES (“RENESAS”) PROVIDES TECHNICAL SPECIFICATIONS AND RELIABILITY DATA (INCLUDING DATASHEETS), DESIGN RESOURCES (INCLUDING REFERENCE DESIGNS), APPLICATION OR OTHER DESIGN ADVICE, WEB TOOLS, SAFETY INFORMATION, AND OTHER RESOURCES “AS IS” AND WITH ALL FAULTS, AND DISCLAIMS ALL WARRANTIES, EXPRESS OR IMPLIED, INCLUDING, WITHOUT LIMITATION, ANY IMPLIED WARRANTIES OF MERCHANTABILITY, FITNESS FOR A PARTICULAR PURPOSE, OR NON-INFRINGEMENT OF THIRD-PARTY INTELLECTUAL PROPERTY RIGHTS.

These resources are intended for developers who are designing with Renesas products. You are solely responsible for (1) selecting the appropriate products for your application, (2) designing, validating, and testing your application, and (3) ensuring your application meets applicable standards, and any other safety, security, or other requirements. These resources are subject to change without notice. Renesas grants you permission to use these resources only to develop an application that uses Renesas products. Other reproduction or use of these resources is strictly prohibited. No license is granted to any other Renesas intellectual property or to any third-party intellectual property. Renesas disclaims responsibility for, and you will fully indemnify Renesas and its representatives against, any claims, damages, costs, losses, or liabilities arising from your use of these resources. Renesas' products are provided only subject to Renesas' Terms and Conditions of Sale or other applicable terms agreed to in writing. No use of any Renesas resources expands or otherwise alters any applicable warranties or warranty disclaimers for these products.

(Disclaimer Rev.1.01 Jan 2024)

Corporate Headquarters

TOYOSU FORESIA, 3-2-24 Toyosu,
Koto-ku, Tokyo 135-0061, Japan
www.renesas.com

Trademarks

Renesas and the Renesas logo are trademarks of Renesas Electronics Corporation. All trademarks and registered trademarks are the property of their respective owners.

Contact Information

For further information on a product, technology, the most up-to-date version of a document, or your nearest sales office, please visit www.renesas.com/contact-us/.