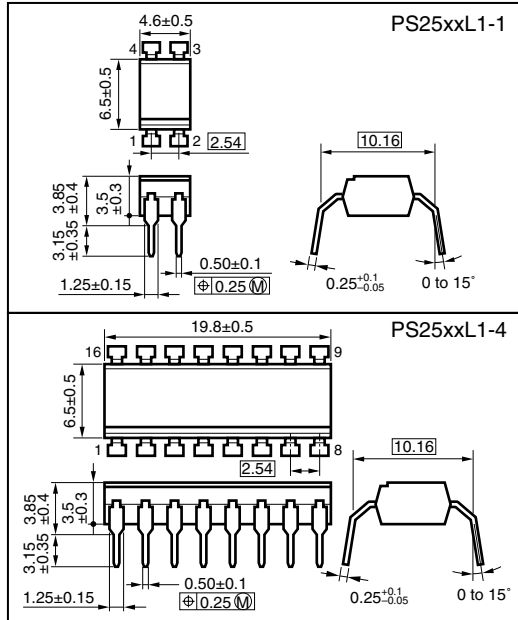


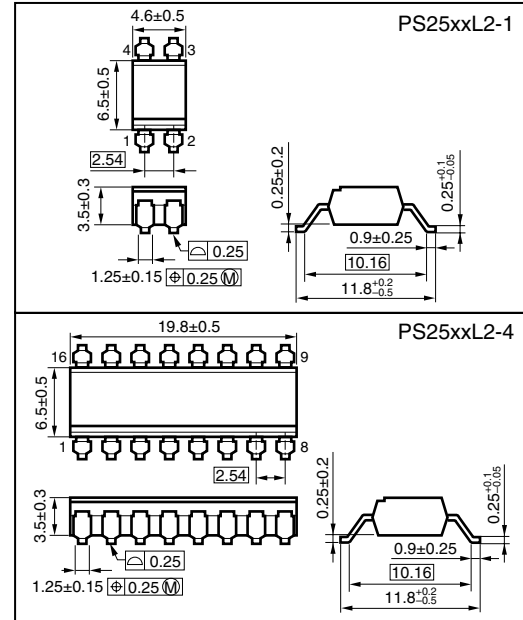
## 6.4 PHOTOCOUPLER SURFACE MOUNT TYPE FOR LONG CLEARANCE<sup>\*1</sup> (DIP)

### (1) 4-pin based multi-channel DIP type (Unit: mm)

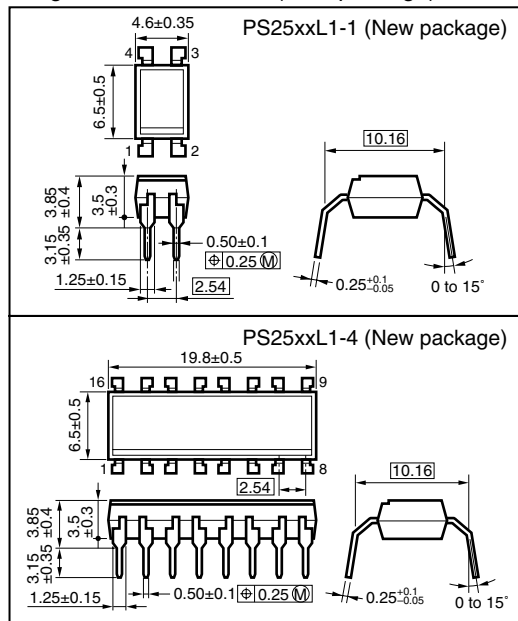
Long clearance distance



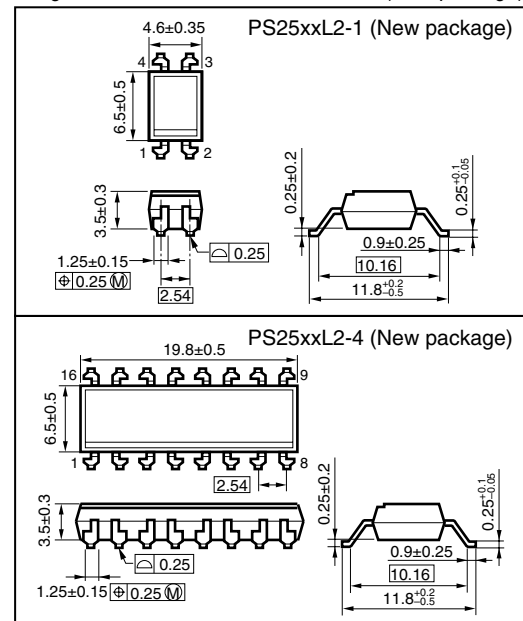
Long clearance distance surface mount



Long clearance distance (New package)



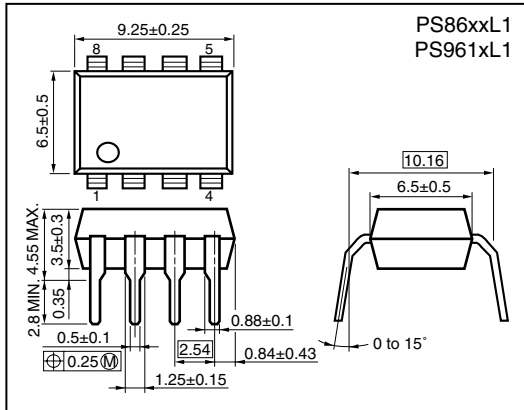
Long clearance distance surface mount (New package)



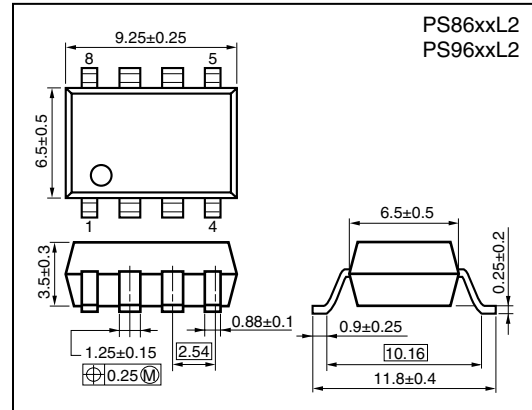
\*1 Surface mount type for long clearance is available in the following products:  
4-pin based multi-channel photocoupler, 8-pin DIP.

(2) 8-pin DIP type (Unit: mm)

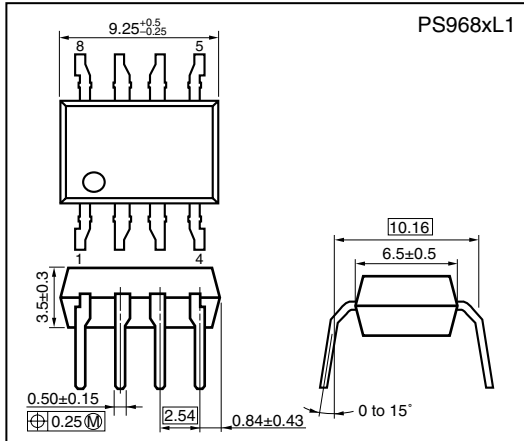
Long clearance distance



Long clearance distance surface mount



Long clearance distance  
(Outer creepage distance: 8 mm)



Long clearance distance surface mount  
(Outer creepage distance: 8 mm)

