

RZ/N1D, RX72M for Industry

MOTOR+EtherCAT SOLUTION



Overview

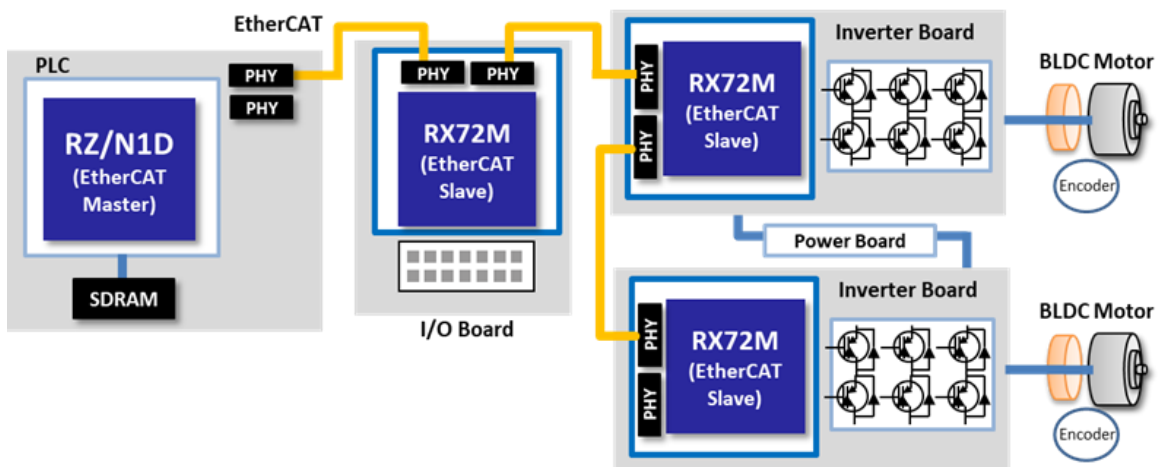
This solution realize EtherCAT® master with RZ/N1D and slave for RX72M realize motor control and EtherCAT® communication with a single chip.

Enable visualization of operation from master to slave in one package.

Key Feature

- RZ/N1D supported CODESYS Software PLC reproduces as EtherCAT® master in factory line
- RX72M with build-in EtherCAT® slave controller and large-capacity memory(4MB) is implemented encoder vector control software to realize motor control and EtherCAT® communication as one chip.
- Control 2 brushless DC motors with encoder, and RX72M I/O board reproduces as motor control in factory line by switching 4 patterns of motor control.
- EtherCAT® complies with CiA402 drive profile.

System Diagram



Recommended Products, Solution Board

Category	Part Number	Overview
Micro Processor	RZ/N1D	500MHz(Cortex®-A7 Dual core+ Cortex M3), 2MB RAM
Micro Controller	RX72M	240MHz(RXv3 core), 4MB Flash, 1MB RAM
Network Board	TS-RX72M-COM	TESSERA TECHNOLOGY INC.
Solution Kit	YCONNECT-IT-RZN1D	Available*

EtherCAT® is a registered trademark and patented technology licensed from Beckhoff Automation GmbH (Germany).

* Please contact a Renesas sales representative or distributor.