

## Analog IP

# Temperature Sensor

### Overview

The Renesas Temperature Sensor IP including Analog Buffer outputs an analog voltage which corresponds to the detected temperature of LSI.

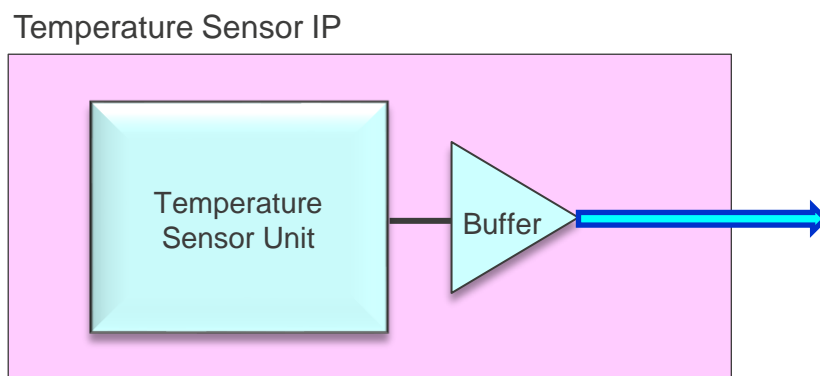
### Technology

Process: TSMC T22ULP  
Metallization technology: 5x2y2r

### Features

- Power Supply
  - VCC(Analog)=1.7 – 1.9V
  - VDD(Digital)=0.81 – 1.05V
- Temperature Range : -40 – 125°C
- Relative Temperature Accuracy (\*Note): -7 – +7°C  
\*Note: 2 points calibration is needed every IP.

### Block diagram



CTPD-24-076  
R06PF0062EJ0100