

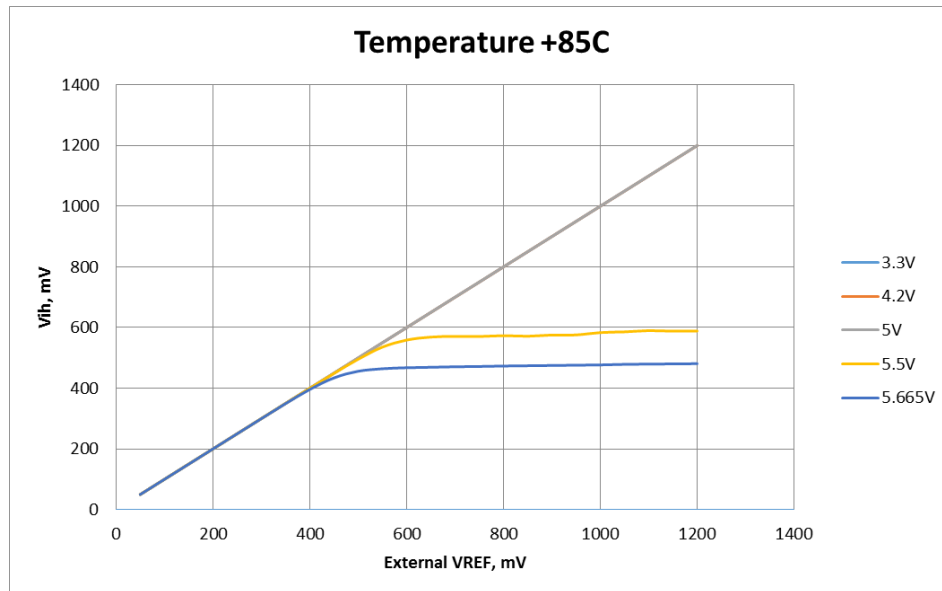
Errata Sheet

SLG46140

ISSUE 1: ACMP Output is Inaccurate when using External Vref at High VDD and Temperature Functional Block Affected: ACMP

Description:

When using external Vref source, the ACMP comparison may happen at wrong threshold if the external Vref voltage is higher than a particular value (please see figure below) at high VDD values ($> 5V$) and high temperature.



Workaround:

Avoid using ACMPs in such conditions.

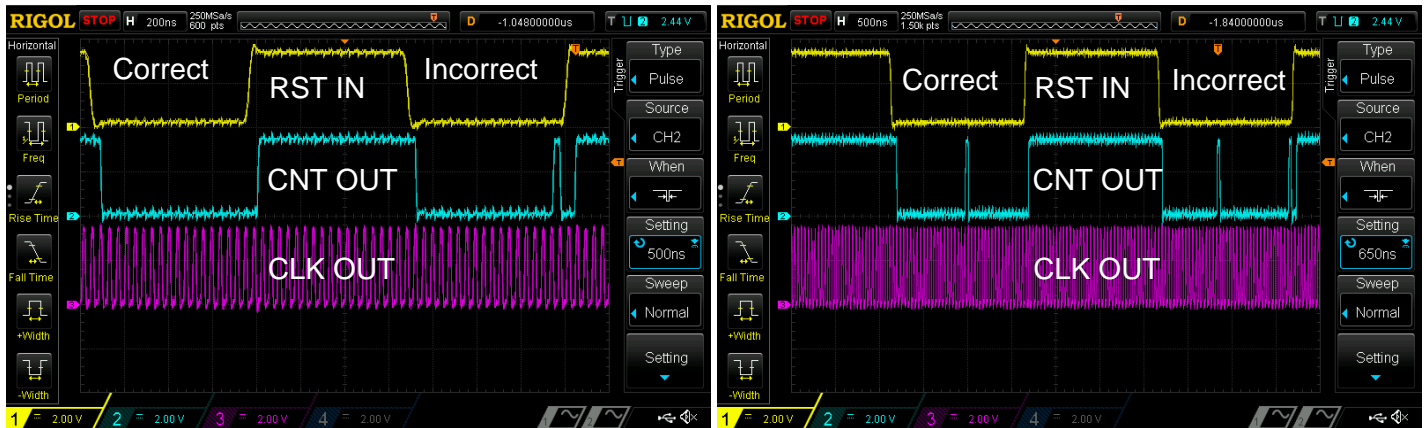
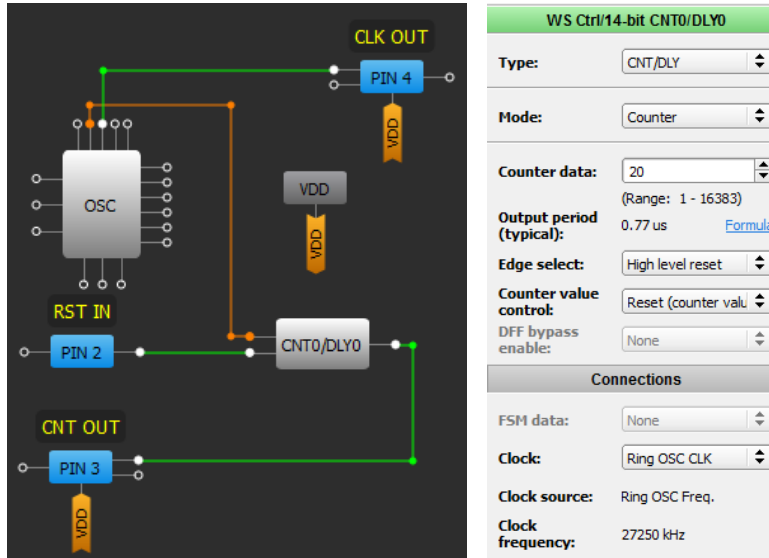
ISSUE 2: Incorrect Counter Operation after the Reset Functional Block Affected: Counter

Description:

If the Counter Reset occurs at a time very close to a rising edge of the clock signal during clock signal generation (for example OSC operation), there is a possibility that the Counter Data of the Counter is reset incorrectly and the counter end signal (HIGH pulse) may appear faster than expected. This phenomena appears more frequently the higher the clock frequency is.

Errata Sheet

SLG46140

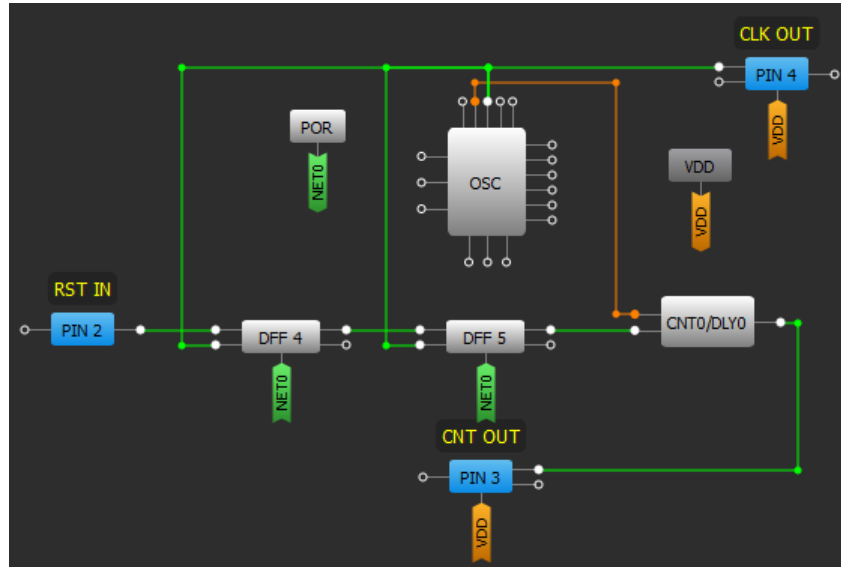


Workaround:

- Synchronize RESET input of the Counter with its CLK using 2 DFF cells as shown in the image below.

Errata Sheet

SLG46140

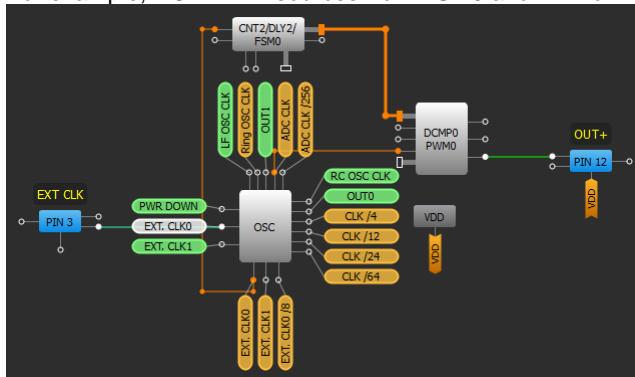


ISSUE 3: DCMP OUT+ Output Glitch
Functional Block Affected: DCMPs

Description:

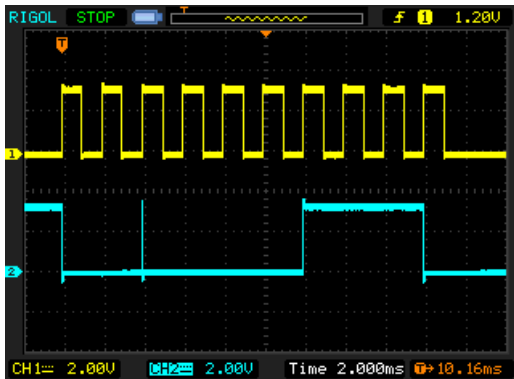
DCMP's OUT+ output may have a glitch when the input data is changed. This issue appears more frequently the higher the DCMP clock is.

For example, DCMP IN+ sources from FSM0 and IN- from Register0. DCMP is clocked from the Ring OSC.



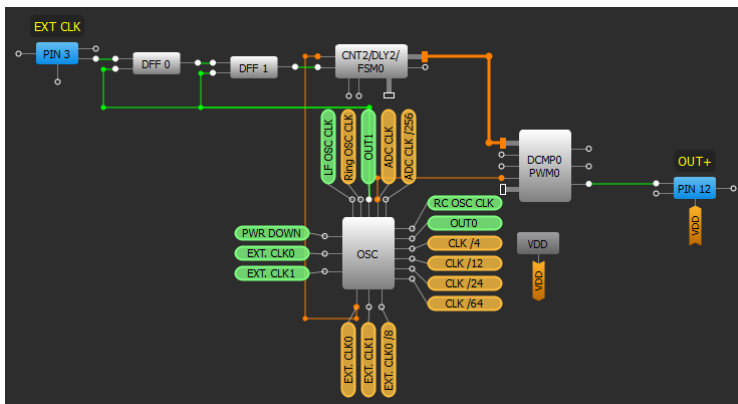
Errata Sheet

SLG46140



Workaround:

- Synchronize the data source clock with the DCMP clock source using 2 DFF cells as shown in the image below.



ISSUE 4: ACMP IN- Leakage Current when Powered Down Functional Block Affected: ACMPs

Description:

There is a leakage current from the EXT Vref pin when ACMP uses EXT Vref and the ACMP is powered down.

Workaround:

- Currently there is no workaround. The only alternative is to turn off the IN- external Vref source.

ISSUE 5: Oscillator Frequency Drift due to Aging Functional Blocks Affected: all that use internal oscillator

Description:

Oscillator has frequency drift due to aging.

Workaround:

- Currently there is no workaround. Please take this into account while creating the design.

Errata Sheet

SLG46140

ISSUE 6: ACMP Output Glitch due to Ring OSC Operation

Functional Blocks Affected: W/S Control, ACMP

Description:

The output of the ACMP incorrectly goes low even when IN+ is greater than IN- if the RING OSC is active when the WS signal rises

Channel 1 – ACMP out

Channel 2 – WS_OUT



Workaround:

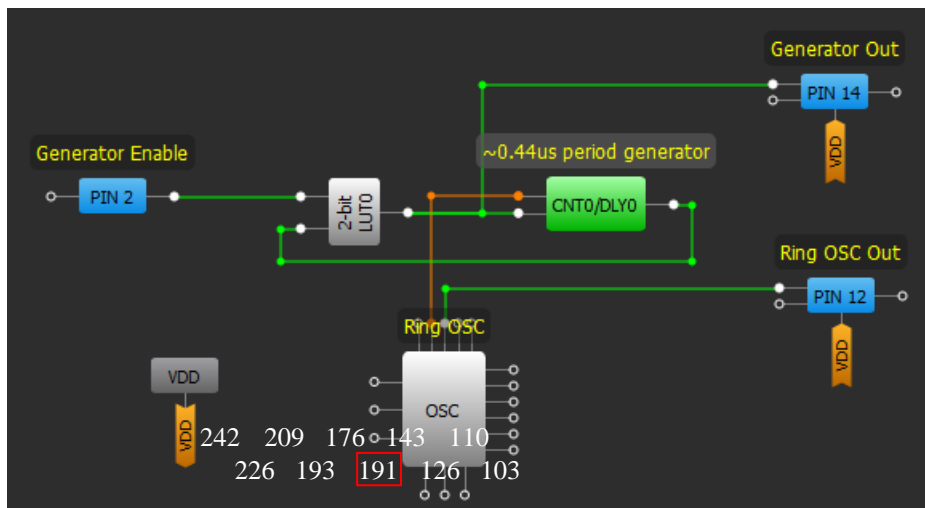
- Avoid using the RING OSC with the WS Controller, or add a filtering block on the ACMP output to filter out the glitch.

ISSUE 7: Long Ring OSC Settling Time

Functional Block Affected: Ring OSC, Delay, Counter

Description:

The Ring OSC has a longer settling time when configured as Auto Power On in the designs that have very short Ring OSC disable time. An example of such issue is in the following configuration:



Errata Sheet

SLG46140

2-bit LUT0

IN3	IN2	IN1	IN0	OUT
0	0	0	0	0
0	0	0	1	0
0	0	1	0	1
0	0	1	1	0

OSC

LF OSC
RC OSC
RING OSC

Ring OSC power mode: Auto power on

Ring OSC frequency: 27.25 MHz

Ring matrix power down: Enable

Ring clock predivider by: 1

PWM & ADC clock source: RC OSC

Ring clock to matrix input: Enable

"OUT1" second divider by: 1

WS Ctrl/14-bit CNT0/DLY0

Type: CNT/DLY

Mode: Delay

Counter data: 10
(Range: 1 - 16383)

Delay time: 0.44 us [Formula](#)

Edge select: Rising

Counter value control: Reset (counter val)

DFF bypass enable: None

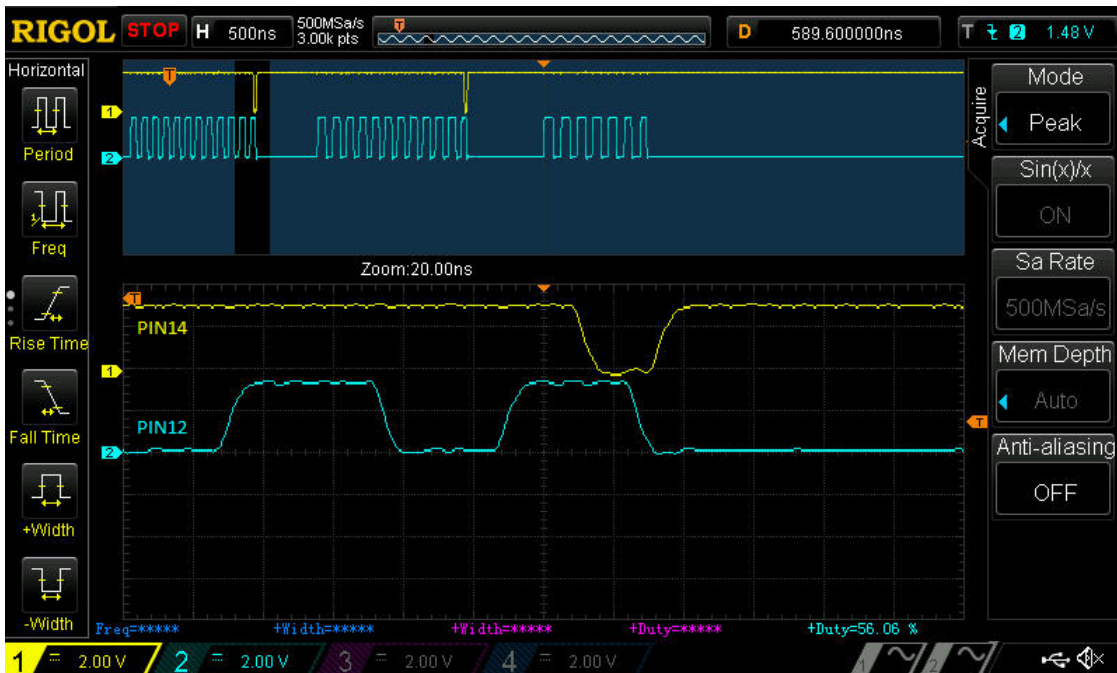
Connections

FSM data: None

Clock: Ring OSC CLK

Clock source: Ring OSC CLK Freq.

The configuration shown above generates a periodical signal with a frequency defined by the Delay cell and started by a high signal on PIN2. The issue becomes apparent in a longer settling time when the scheme generates short pulses (Delay is configured as a rising edge delay only). See waveform below.



Channel 1 – 2-bit LUT0 output; Channel 2 – Ring OSC output

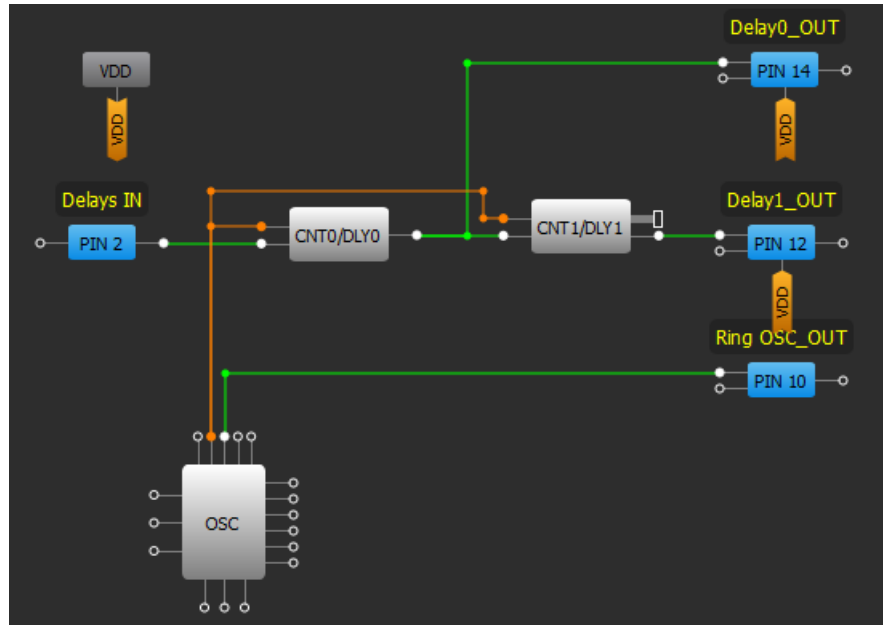
Errata Sheet

SLG46140

Such behavior will lead to substantial error in period calculations if the delay time is relatively small.

A similar situation occur while using two connected delays (all edge detect types except for a pair “Rising edge DLY – Falling edge DLY”).

In the following example, Delay0 and Delay1 are configured in the same way. However, Delay0 time is 11.4us instead of expected 0.4us (Delay0 time).



Errata Sheet

SLG46140

Workaround:

- Set Ring OSC power mode to “Force Power On”
- or, Set Turn on by register option in BG (Band Gap) block as “Enable”

ISSUE 8: PGA has an Offset when loaded Functional Block Affected: PGA, Vref

Description:

The PGA block has an offset when its output through the VREF is loaded. For reference, shown below is the table of the load vs PGA 4x gain.

Load, mA	Gain (ideal = 4x)
0	3.87
1	3.84
5	3.78
10	3.71
20	3.5
40	3
80	2.2
160	1.4

When the load current is higher than 10 mA the output offset is large and may influence the design operation significantly.

Workaround:

- Use external buffer to support high load

ISSUE 9: ACMP Long Turn On Time Functional Block Affected: ACMP

Description:

ACMPs in SLG46140 chip may have a long (up to 3.5ms at low temperatures and 1.5ms at room temperature) power up time.

Workaround:

- Use ACMPs as always powered on.
- Consider this issue in the design

Errata Sheet

SLG46140

RoHS Compliance

Renesas Electronics Corporation's suppliers certify that its products are in compliance with the requirements of Directive 2011/65/EU of the European Parliament on the restriction of the use of certain hazardous substances in electrical and electronic equipment. RoHS certificates from our suppliers are available on request.